



USER'S GUIDE

V:1012-0318-10



PD7719B

Dual 7" Screen DVD Player with Rechargeable Battery

For the most up-to-date version of this User's Guide, go to www.gpx.com

Warnings and Precautions

- **CAUTION:** TO PREVENT ELECTRIC SHOCK, MATCH WIDE BLADE OF PLUG TO WIDE SLOT, FULLY INSERT.
- **WARNING:** To reduce the risk of fire or electric shock, do not expose this apparatus to rain or moisture.
- **AVERTISSEMENT:** Pour réduire le risque d'incendie ou de choc électrique, ne pas exposer cet appareil sous la pluie et l'humidité.
- **CAUTION:** Use of controls or adjustments or performance of procedures other than those specified may result in hazardous radiation exposure.
- **WARNING:** Changes or modifications to this unit not expressly approved by the party responsible for compliance could void the user's authority to operate the equipment.
- **WARNING:** Do not place the unit on top of any soft, porous, or sensitive surfaces to avoid damaging the surface. Use a protective barrier between the unit and surface to protect the surface.
- **WARNING:** Use of this unit near fluorescent lighting may cause interference regarding use of the remote. If the unit is displaying erratic behavior move away from any fluorescent lighting, as it may be the cause.
- **CAUTION:** Danger of explosion if battery is incorrectly replaced. Replace only with the same or equivalent type.
- **PRÉCAUTION:** Danger d'explosion si les piles sont remplacées de façon incorrect. Remplacer les piles seulement par le même type de pile ou l'équivalent.
- **WARNING:** There is a danger of explosion if you attempt to charge standard Alkaline batteries in the unit. Only use rechargeable NiMH batteries.
- **WARNING:** The remote control's button cell battery contains mercury. Do not put in the trash, instead recycle or dispose of as hazardous waste
- **WARNING:** Lithium batteries, like all rechargeable batteries are recyclable and should be recycled or disposed of in normal household waste. Contact your local government for disposal or recycling practices in your area. They should never be incinerated since they might explode.

Main plug is used as disconnect device and it should remain readily operable during intended use.

Do not mix old and new batteries.
Do not mix alkaline, standard (carbon-zinc), or rechargeable (ni-cad, ni-mh, etc) batteries.
No mezcle baterías viejas y nuevas.
No mezcle baterías alcalinas, estándar (carbono-zinc) o recargables (ni-cad, ni-mh, etc.).

CAUTION
RISK OF ELECTRIC SHOCK
DO NOT OPEN

WARNING: TO REDUCE THE RISK OF ELECTRIC SHOCK, DO NOT REMOVE COVER (OR BACK). NO USER-SERVICEABLE PARTS INSIDE. REFER SERVICING TO QUALIFIED SERVICE PERSONNEL.



The lightning flash with arrowhead symbol, within an equilateral triangle, is intended to alert the user to the presence of uninsulated "dangerous voltage" within the product's enclosure that may be of sufficient magnitude to constitute a risk of electric shock to persons.



The exclamation point within an equilateral triangle is intended to alert the user to the presence of important operating and maintenance (servicing) instructions in the literature accompanying the appliance.



This product utilizes a Class 1 laser to read Compact Discs. This Laser Compact Disc Player is equipped with safety switches to avoid exposure when the CD door is open and the safety interlocks are defeated. Invisible laser radiation is present when the CD Player's lid is open and the system's interlock has failed or been defeated. It is very important that you avoid direct exposure to the laser beam at all times. Please do not attempt to defeat or bypass the safety switches.

Important Safety Instructions

1. Read these Instructions.
2. Keep these Instructions.
3. Heed all Warnings.
4. Follow all instructions.
5. Do not use this apparatus near water.
6. Clean only with a dry cloth.
7. Do not block any ventilation openings. Install in accordance with the manufacturer's instructions.
8. Do not install near any heat sources such as radiators, heat registers, stoves, or other apparatus (including amplifiers) that produce heat.
9. Do not defeat the safety purpose of the polarized or grounding - type plug. A polarized plug has two blades with one wider than the other. A grounding type plug has two blades and a third grounding prong. The wide blade or the third prong are provided for your safety. When the provided plug does not fit into your outlet, consult an electrician for replacement of the obsolete outlet.
10. Protect the power cord from being walked on or pinched particularly at plugs, convenience receptacles, and the point where they exit from the apparatus.
11. Only use attachments/accessories specified by the manufacturer.
12. Use only with a cart, stand, tripod, bracket, or table specified by the manufacturer, or sold with the apparatus. When a cart is used, use caution when moving the cart/apparatus combination to avoid injury from tip-over.
13. Unplug this apparatus during lightning storms or when unused for long periods of time.
14. Refer all servicing to qualified service personnel. Servicing is required when the apparatus has been damaged in any way, such as power-supply cord or plug is damaged, liquid has been spilled or objects have fallen into the apparatus, the apparatus has been exposed to rain or moisture, does not operate normally, or has been dropped.

FCC Warnings

NOTE: This equipment has been tested and found to comply with the limits for a Class B digital device, pursuant to Part 15 of the FCC Rules. These limits are designed to provide reasonable protection against harmful interference in a residential installation. This equipment generates, uses, and can radiate radio frequency energy and, if not installed and used in accordance with the instructions, may cause harmful interference to radio communications. However, there is no guarantee that interference will not occur in a particular installation. If this equipment does cause harmful interference to radio or television reception, which can be determined by turning the equipment off and on, the user is encouraged to try to correct the interference by one or more of the following measures:

- Reorient or relocate the receiving antenna.
- Increase the separation between the equipment and receiver.
- Connect the equipment into an outlet on a circuit different from that to which the receiver is connected.
- Consult the dealer or an experienced radio/TV technician for help.

Additional Warnings

- The apparatus shall not be exposed to dripping or splashing and that no objects filled with liquids, such as vases, shall be placed on apparatus.
L'appareil ne doit pas être exposé aux écoulements ou aux éclaboussures et aucun objet ne contenant de liquide, tel qu'un vase, ne doit être placé sur l'objet.
- Main plug is used as disconnect device and it should remain readily operable during intended use. In order to disconnect the apparatus from the mains completely, the mains plug should be disconnected from the mains socket outlet completely.
La prise du secteur ne doit pas être obstruée ou doit être facilement accessible pendant son utilisation. Pour être complètement déconnecté de l'alimentation d'entrée, la prise doit être débranchée du secteur.
- Battery shall not be exposed to excessive heat such as sunshine, fire or the like.
Les piles ne doivent pas être exposées à de forte chaleur, tel qu'à la lumière du soleil, au feu ou autres choses de semblable.
- Caution marking is located at the rear of the apparatus.
Les marquages sont inscrits de derrière de l'appareil.
- The marking information is located at the rear of apparatus.
Les précautions d'emploi sont inscrites de derrière de l'appareil.



Dual 7" DVD Player with Rechargeable Battery

Features

- DVD player: DVD, DVD-R/RW
- CD player: CD, CD±R/RW, JPEG CD
- SD/MMC memory card slot
- USB port, 2.0 high speed
- Chapter and title search
- Supports multiple languages and language subtitles
- Zoom
- On-screen display
- Multi-angle
- Slow motion
- NTSC
- Digital volume
- Resolution: 480 x 234
- Built-in speakers
- 7" primary LCD display
- 7" secondary LCD display
- Photo frame features display JPEG images
- Remote: requires 2, AAA-size, batteries (included)
- DC power input: requires an AC/DC power adapter (included)
- DC battery power: built-in rechargeable battery
- 12V-DC Car Adaptor

7" primary LCD display:

- Video/Audio Output Jack
- Stereo Headphone Jack
- DC-Input Jack

7" secondary LCD display:

- Video/Audio Input Jack
- Stereo Headphone Jack
- DC-Input Jack
- DC-Output Jack

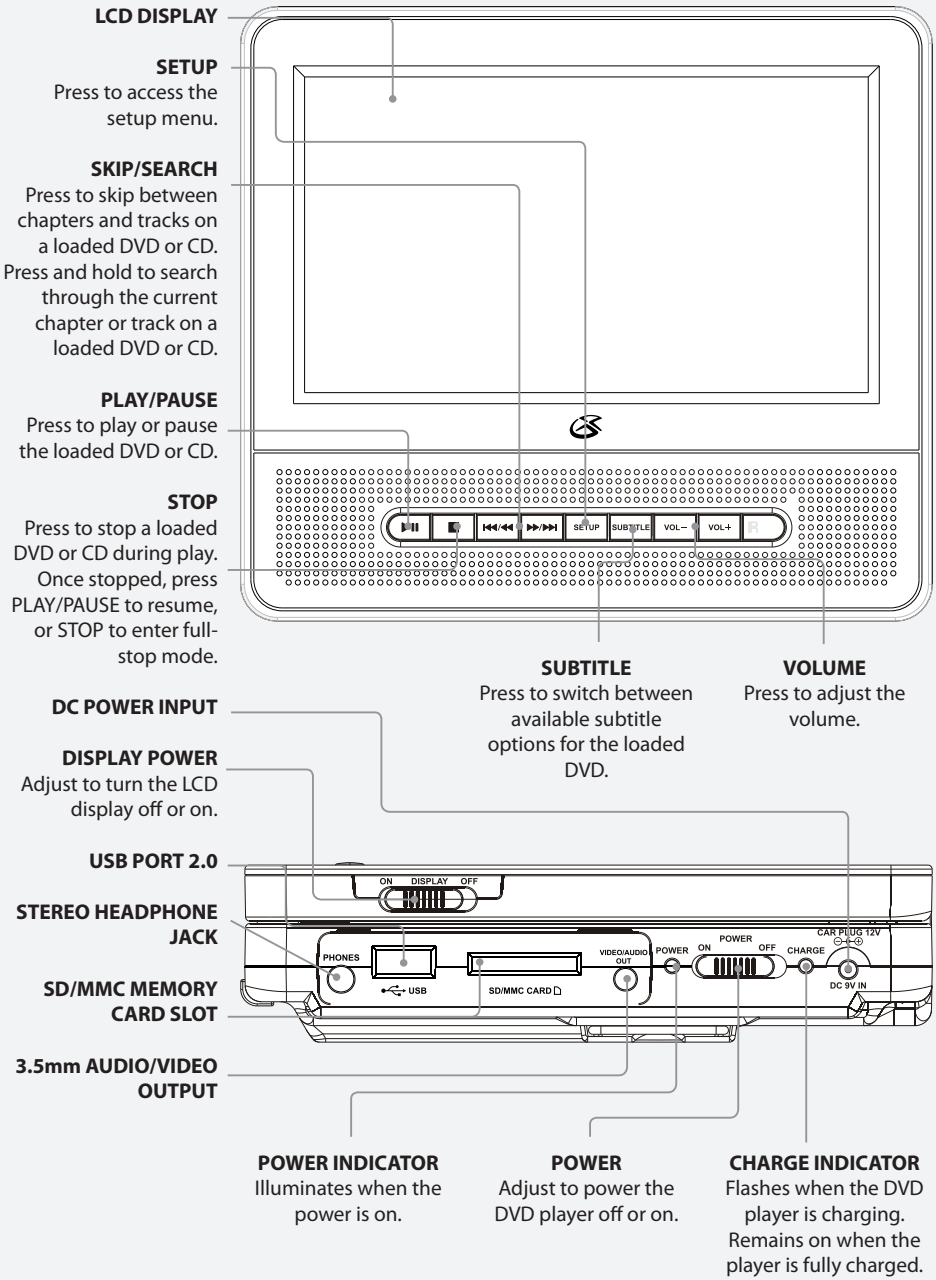
Included

- AC/DC power adapter
- DC car adapter
- Remote: requires 2, AAA-size, batteries (included)
- 3.5mm/RCA cable
- DC power cable
- 2 sets of stereo earbuds
- Carry-all tote bag

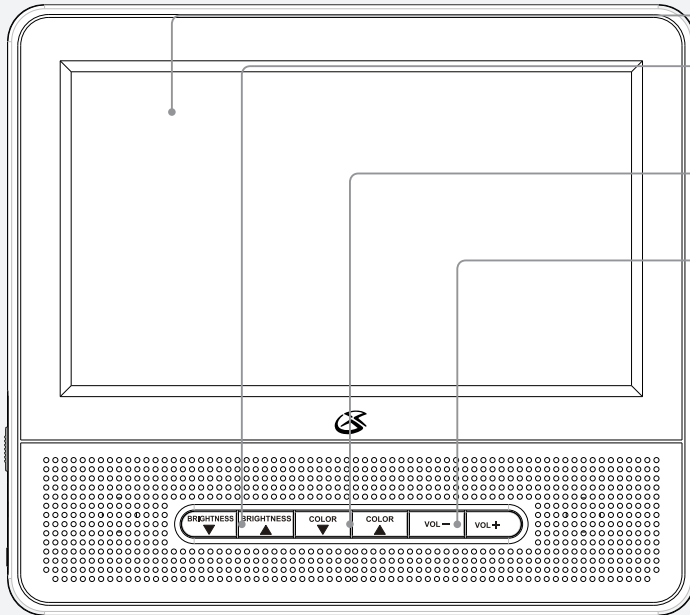
TABLE OF CONTENTS

Warnings and Precautions	2
Important Safety Instructions	3
• FCC Warnings	
• Additional Warnings	
Dual 7" DVD Player with Rechargeable Battery	4
• Features	
• Included	
Introduction - Primary LCD Display	6
Secondary LCD Display	7
Remote	8
Setup	9
• Remote	
• DC Power Input	
• DC Battery Power	
DVD & CD	10
• Playing a DVD or CD	
• Programming a DVD or CD	
Primary and Secondary Displays	11
• Connecting the Displays	
In Car Setup	12
• Using the Headrest Straps	
Setup Menu	13
• Accessing the Setup Menu	
• Setup Menu	
SD/MMC Memory Card Slot	14
• Connecting an SD or MMC Card	
• Using a Loaded SD or MMC Card	
USB Port	15
• Connecting a USB Thumb Drive	
• Using a Loaded USB Thumb Drive	
Company Information	16
• Green Initiative	
• International Support	
• Contact Information	

Introduction - Primary LCD Display



Secondary LCD Display

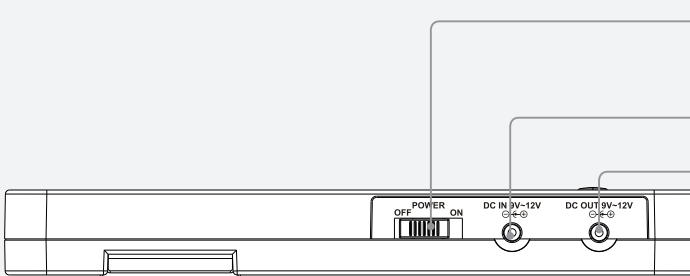


LCD DISPLAY

BRIGHTNESS
Press to adjust the brightness.

COLOR
Press to adjust the color.

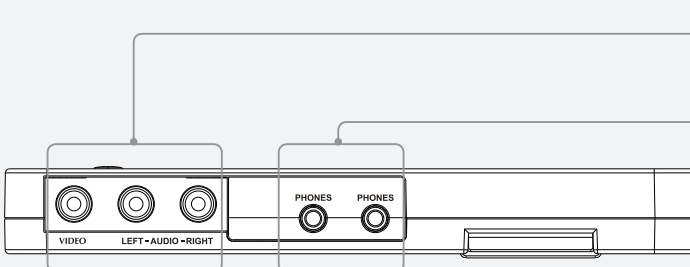
VOLUME
Press to adjust the volume.



POWER
Adjust the power the display off or on.

DC POWER INPUT

DC POWER OUTPUT



RCA AUDIO/VIDEO INPUT

STEREO HEADPHONE JACKS

Remote

Note: The remote will only control the primary display.

SCREEN ON/OFF
Press to access the brightness and color controls on the primary display, and use the right and left arrows on the remote to adjust. Press and hold to turn the primary LCD display off and on.

MENU
Press access the DVD menu on a loaded DVD.

SETUP
Press to access the setup menu.

MUTE
Press to mute the volume.

STOP/USB/SD
Press to stop a DVD or CD during play. Press and hold to switch between DVD, CARD (memory card), and USB modes.

DISPLAY
Press to view the on-screen display.

ARROW KEYS

PLAY/PAUSE/SELECT
Press to play or pause a loaded DVD or to make selections in a menu.

SUBTITLE
Press to switch between available subtitle options for the loaded DVD.

AUDIO
Press to switch between available audio options for the loaded DVD.

SEARCH
Press to search for a specific title, chapter, or track on a loaded DVD or CD.

REPEAT
Press to repeat a title, chapter, or track on a loaded DVD or CD.

TITLE
Press to access the title menu of the loaded DVD.

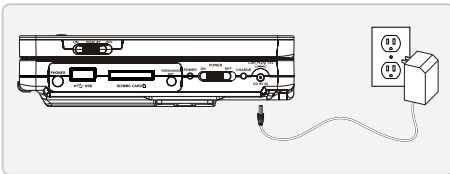
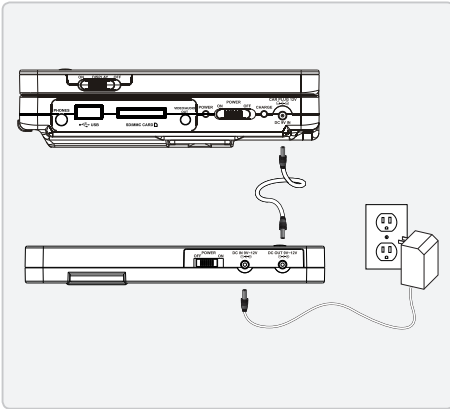
SKIP/SEARCH
Press to skip between chapters and tracks on a loaded DVD or CD. Press and hold to search through the current chapter or track on a loaded DVD or CD.

NUMBER KEYPAD

PROGRAM/ANGLE
Press to program a loaded DVD or CD to play chapters and tracks in a specified order. Press and hold to access different angles on a supported DVD.

VOLUME
Press to adjust the volume.

ZOOM/SLOW
Press to zoom in and out on a playing DVD. Press and hold to play a loaded DVD in slow motion.



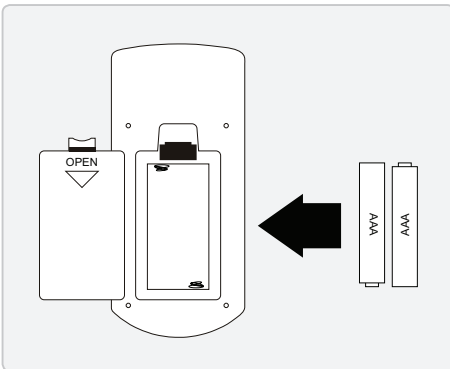
DC Power Input

1. Plug the included AC/DC power adapter or DC car adapter into the **DC POWER INPUT** on the secondary display and an AC power outlet or DC car power outlet.
2. Plug the included DC power cable into the DC power output on the secondary display and the DC power input on the primary display.

To power the primary display by itself, plug the included AC/DC power adapter or DC car adapter into the DC POWER INPUT on the primary display and an AC power outlet or DC car power outlet.

Remote

Requires 2, AAA-size, batteries (included)



DC Battery Power

A rechargeable battery is built-into the primary display.

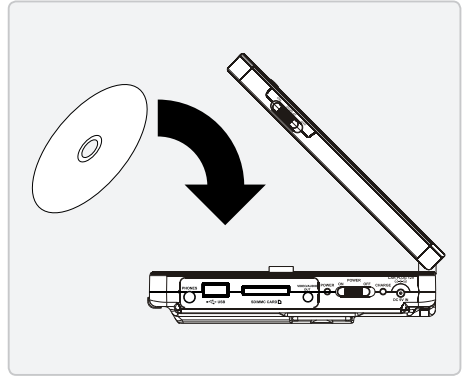
When the primary display is connected to a power source, either directly or through the secondary display, and powered off or powered on, the built-in rechargeable battery will recharge.

To power the primary and secondary display from the rechargeable battery, plug the included DC power cable into the **DC POWER OUTPUT** on the secondary display and the **DC POWER INPUT** on the primary display.

DVD & CD

Playing a DVD or CD

1. Load a DVD or CD into the primary display.
2. Adjust the **POWER** switch to the "ON" position.
3. The DVD or CD should start playing automatically.
4. If the DVD or CD does not start playing automatically, press the **PLAY/PAUSE** button.



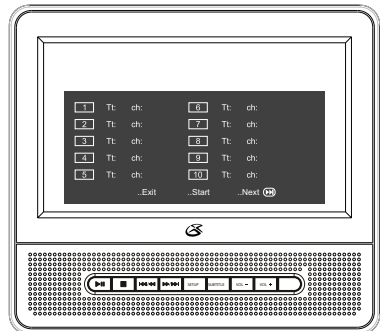
Programming a DVD or CD

1. Load a DVD or CD into the primary display.
2. Adjust the **POWER** switch to the "ON" position.
3. The DVD should start playing automatically.
4. Press the **PROGRAM** button.
5. Use the **NUMBER KEYPAD** to enter in the title and chapter numbers in the order you want them to play.

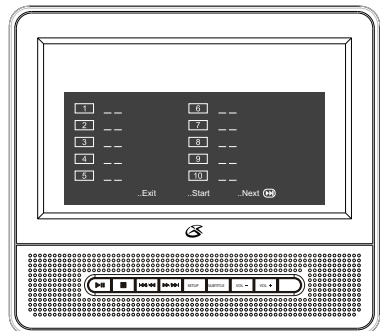
Up to 20 titles and chapters can be programmed at one time.

6. Use the **DIRECTIONAL** buttons to highlight the "Start" option on the display, and press the **SELECT** buttons.
7. Press the **STOP** button twice to reset the programmed tracks.

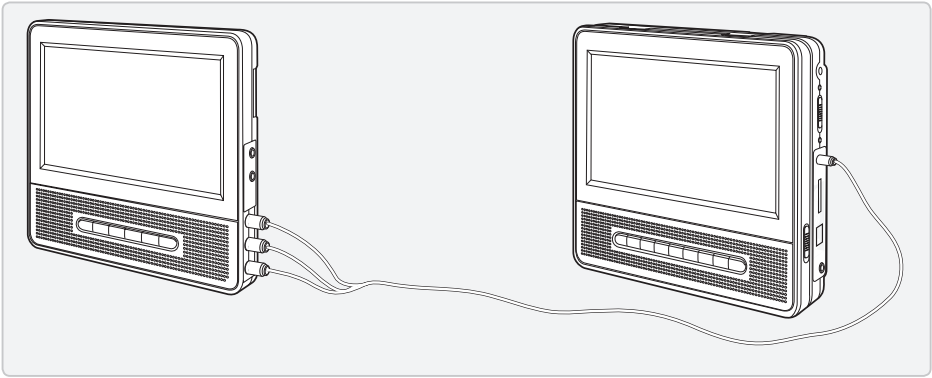
DVD



CD



Primary and Secondary Displays



Connecting the Displays

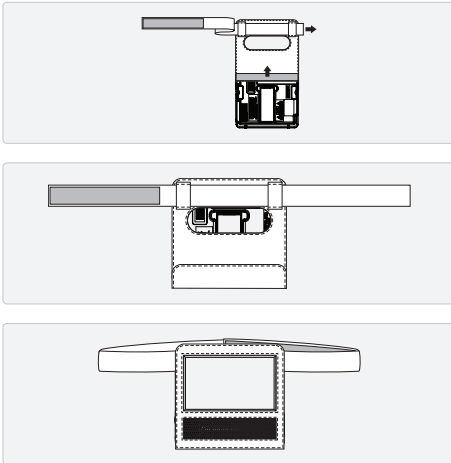
1. Connect the included 3.5mm/RCA cable to the **3.5mm AUDIO/VIDEO OUTPUT** on the primary display and the **RCA AUDIO/VIDEO INPUT** on the secondary display.
2. Adjust the **POWER** switches on the primary display and the secondary display to the ON position.
3. Video and audio played through the primary display will now play through the secondary display as well.

In Car Setup

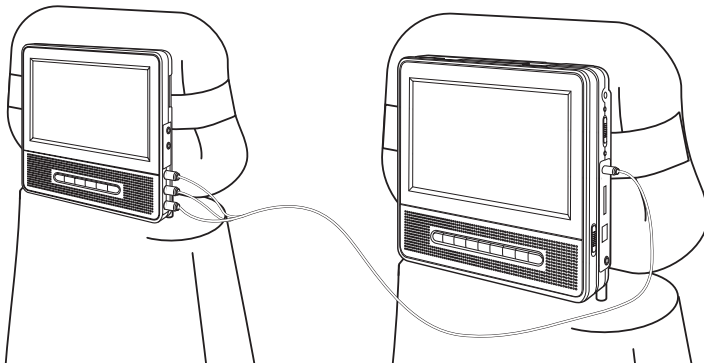
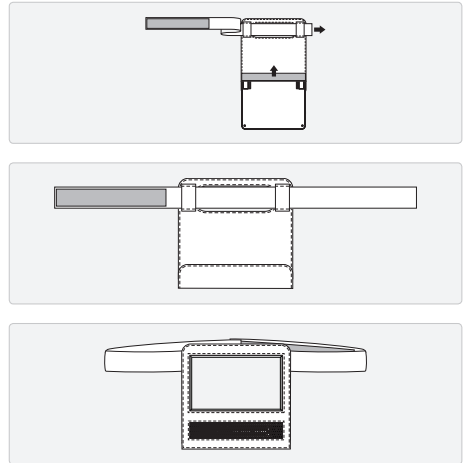
Using the Headrest Straps

1. Slide the primary and secondary display into their headrest strap cases.
2. Run the headrest strap through the **HEADREST STRAP CONNECTIONS** on the back of both displays.
3. Tighten the straps around the headrests of a vehicles seats.

Primary Display



Secondary Display



Accessing the Setup Menu

To access the Setup Menu, press the **SETUP** button on the primary display or remote control.

Setup Menu

General

- TV Display
- LCD Mode
- OSD Language
- Screen Saver
- *Exit Setup*

Audio

- Downmix
- *Exit Setup*

Video

- Sharpness
- Brightness
- Contrast
- Hue
- Color
- *Exit Setup*

System

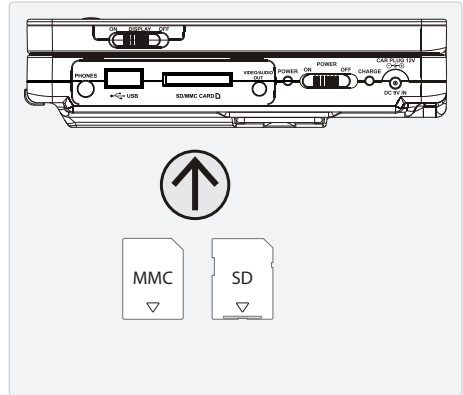
To access the system section of the setup menu, the DVD player must be in full-stop mode. Press the STOP button twice to enter full-stop mode.

- TV Type
- Audio
- Subtitle
- Disc Menu
- Default
- *Exit Setup*

SD/MMC Memory Card Slot

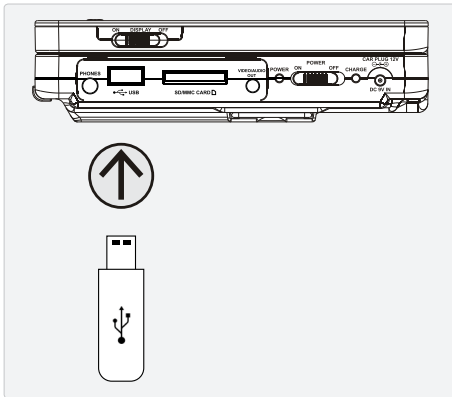
Connecting an SD or MMC Card

1. Load an SD or MMC into the **SD/MMC MEMORY CARD SLOT** as shown in the image to the right.



Using a Loaded SD or MMC Card

1. Follow the instructions for connecting an SD or MMC card.
2. Press and hold the **STOP** button.
3. Press the **VOLUME** buttons on the primary display or the up and down **ARROW KEYS** on the remote to switch between DVD, CARD, and USB. Highlight CARD.
4. Press the **PLAY/PAUSE** button.
5. Press the **ARROW KEYS** on the remote to navigate the files on screen.
6. Press the **PLAY/PAUSE** button to play or view compatible files.



Connecting a USB Thumb Drive

1. Load a USB thumb drive into the **USB PORT** as shown in the image to the right.

Using a Loaded USB Thumb Drive

1. Follow the instructions for connecting a USB thumb drive.
2. Press and hold the **STOP** button.
3. Press the **VOLUME** buttons on the primary display or the up and down **ARROW KEYS** on the remote to switch between DVD, CARD, and USB. Highlight USB.
4. Press the **PLAY/PAUSE** button.
5. Press the **ARROW KEYS** on the remote to navigate the files on screen.
6. Press the **PLAY/PAUSE** button to play or view compatible files.

Company Information

Green Initiative

Environmental Commitment to 'Protect for Today and Sustain for Tomorrow'

2009 marked the official launch of DPI, Inc.'s corporate campaign for a greener and cleaner world. DPI is building upon environmental initiatives introduced at all of their facilities to help formulate and sustain significant and important conservation efforts within its manufacturing and marketing communities. In addition to targeting and selecting energy efficient product features, and structuring 'green office' procedures, other initial program efforts include:

- Reduction of all packaging sizes
- Recyclable plastics for clamshell packages, with a plan to eventually replace plastic with recyclable paper
- Recycled fiber board in place of the polyfoam in packing boxes
- Recycled plastics in place of the virgin material in product construction

International Support

To download this User's Guide in English, Spanish, or French, visit the support section at www.gpx.com.

Para transferir esta guía de usuario en inglés, español, o francés, visite la sección de la ayuda en www.gpx.com.

Pour télécharger ce guide de l'utilisateur en anglais, espagnol, ou français, visitez la section de soutien chez www.gpx.com.

Contact Information

Address:

2116 Carr Street, St. Louis MO, 63106

Phone:

1-314-621-2881

Fax:

1-314-588-1805

Email:

proinfo@gpx.com

Parts Email:

partsinfo@dpi-global.com

Website:

www.gpx.com

Free Manuals Download Website

<http://myh66.com>

<http://usermanuals.us>

<http://www.somanuals.com>

<http://www.4manuals.cc>

<http://www.manual-lib.com>

<http://www.404manual.com>

<http://www.luxmanual.com>

<http://aubethermostatmanual.com>

Golf course search by state

<http://golfingnear.com>

Email search by domain

<http://emailbydomain.com>

Auto manuals search

<http://auto.somanuals.com>

TV manuals search

<http://tv.somanuals.com>