



KC218S INSTRUCTION MANUAL

Contents

| | |
|--|-------|
| Warnings & Precautions | 2 |
| Important Safety Instructions..... | 3 |
| In the Box & Features..... | 4 |
| Mounting the Unit & Powering the Unit..... | 5 |
| Setting the Clock & Kitchen Timer..... | 6 |
| Tuning the Radio & Battery Backup | 7 |
| Playing a CD..... | 8 |
| Programming a CD..... | 9 |
| Auxiliary Inputs | 10 |
| Location of Controls & Definitions | 11-15 |
| Service Information..... | 16 |

Warnings and Precautions

TO PREVENT FIRE OR SHOCK HAZARDS, DO NOT EXPOSE THIS UNIT TO RAIN OR MOISTURE.



This symbol, located on back or bottom of the unit, is intended to alert the user to the presence of uninsulated “dangerous voltage” within the product’s enclosure that may be of sufficient magnitude to constitute a risk of electric shock to persons.



This symbol, located on back or bottom of the unit, is intended to alert the user to the presence of important operating and maintenance (servicing) instructions in the literature accompanying the appliance.



This product utilizes a Class 1 laser to read Compact Discs. This laser Compact Disc Player is equipped with safety switches to avoid exposure when the CD door is open and the safety interlocks are defeated. Invisible laser radiation is present when the CD Player’s lid is open and the system’s interlock has failed or been defeated. It is very important that you avoid direct exposure to the laser beam at all times. Please do not attempt to defeat or bypass the safety switches.

CAUTION: TO PREVENT ELECTRIC SHOCK, MATCH WIDE BLADE OF PLUG TO WIDE SLOT, FULLY INSERT.

To reduce the risk of electric shock, do not remove cover (or back). There are no user-serviceable parts inside. Please refer any servicing to qualified service personnel.

WARNING: Changes or modifications to this unit not expressly approved by the party responsible for compliance could void the user’s authority to operate the equipment.

WARNING: Danger of explosion if the remote control’s batteries are incorrectly installed. Replace only with the same or equivalent battery.

WARNING: The remote control’s button cell battery contains mercury. Do not put in the trash, instead recycle or dispose of as hazardous waste

WARNING: Use of this unit near fluorescent lighting may cause interference regarding use of the remote. If the unit is displaying erratic behavior move away from any fluorescent lighting, as it may be the cause.

NOTE: This equipment has been tested and found to comply with the limits for a Class B digital device, pursuant to Part 15 of the FCC Rules. These limits are designed to provide reasonable protection against harmful interference in a residential installation. This equipment generates, uses, and can radiate radio frequency energy and, if not installed and used in accordance with the instructions, may cause harmful interference to radio communications. However, there is no guarantee that interference will not occur in a particular installation. If this equipment does cause harmful interference to radio or television reception, which can be determined by turning the equipment off and on, the user is encouraged to try to correct the interference by one or more of the following measures:

- Reorient or relocate the receiving antenna.
- Increase the separation between the equipment and receiver.
- Connect the equipment into an outlet on a circuit different from that to which the receiver is connected.
- Consult the dealer or an experienced radio/TV technician for help.

Important Safety Instructions

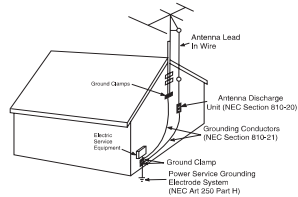
1. Read Instructions - All the safety and operating instruction should be read before the product is operated.
2. Retain Instructions - The safety and operating instruction should be retained for future reference.
3. Heed Warnings - All warning on the product and in the operating instructions should be adhered to.
4. Follow instructions - All operating and use instructions should be followed.
5. Cleaning - Unplug this product from the wall outlet before cleaning. Do not use liquid cleaners or aerosol cleaners. Use a damp cloth for cleaning.
6. Attachments - Do not use attachments not recommended by the product manufacturer as they may cause hazards.
7. Water and Moisture - Do not use this product near water - for example, near a bath tub, wash bowl, kitchen sink, or laundry tub; in a wet basement, or near a swimming pool, and the like.
8. Accessories - Do not place this product on an unstable cart, stand tripod, bracket, or table. The product may fall, causing serious injury to a child or adult, and serious damage to the product. Use only with a cart, stand, tripod, bracket, or table recommended by the manufacturer, or sold with the product. Any mounting of the product should follow the manufacturer's instructions, and should use a mounting accessory recommended by the manufacturer.
9. A product and cart combination should be moved with care. Quick stops, excessive force, and uneven surfaces may cause the appliance and cart combination to overturn.



10. Ventilation - Slots and openings in the cabinet are provided for ventilation and to ensure reliable operation of the product and to protect it from overheating, and these openings must not be blocked or covered. The openings should never be blocked by placing the product on a bed, sofa, rug, or other similar surface. This product should not be placed in a built-in installation such as a bookcase or rack unless proper ventilation is provided or the manufacturer's instruction have been adhered to.
11. Power Sources - This product should be operated only from the type of power source indicated on the marking label. If you are not sure of the type of power supply to your home, consult your product dealer or local power company. For products intended to operate from battery power, or other sources, refer to the operating instruction.
12. Grounding or Polarization - This product may be equipped with a polarized alternating-current line plug (a plug having one blade wider than the other). This plug will fit into the power outlet only one way. This is a safety feature. If you are unable to insert the plug fully into the outlet, try reversing the plug. If the plug should still fail to fit, contact your electrician to replace your obsolete outlet. Do not defeat the safety purpose of the polarizes plug.
Alternate Warnings - This product is equipped with a three-wire grounding-type plug, a plug having a third (grounding) pin. This plug will only fit into a grounding-type power outlet. This is a safety feature. If you are unable to insert the plug into the outlet, contact your electrician to replace your obsolete outlet. Do not defeat the safety purpose of the grounding-type plug.
13. Power-Cord Protection - Power supply cords should be routed so that they are not likely to be walked on or pinched by items placed upon or against them, paying particular attention to cords at plugs, convenience receptacles, and point where they exit from the product.
14. Protective Attachment Plug - The product is equipped with an attachment plug having overload protection. This is a safety feature. See Instruction Manual for replacement or resetting of protective device. If replacement of the plug is required, be sure the service technician has used a replacement plug specified by the manufacturer that has the same overload protection as the original plug.

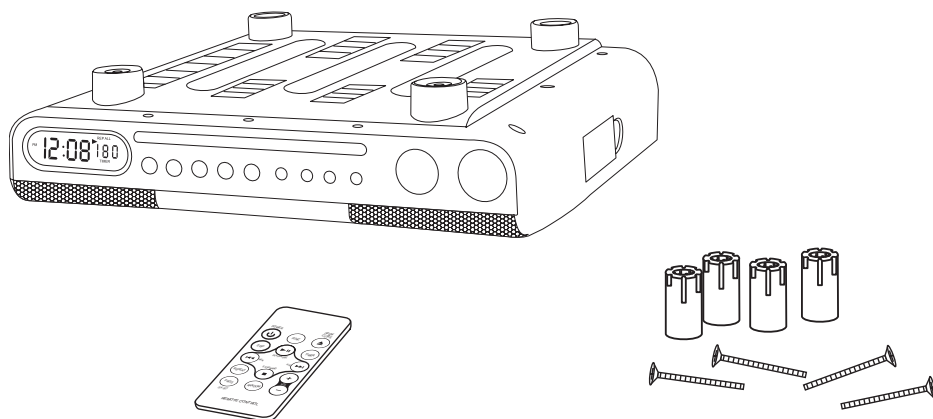
15. Outdoor Antenna Grounding - If an outside antenna is connected to the receiver, be sure the antenna system is grounded so as to provide some protection against voltage surges and built-up static charges. Article 810 of the National Electrical Code, ANSI/NFPA 70, provides information with regard to proper grounding of the mast and supporting structure, grounding of the mast and supporting structure, grounding of the lead-in wire to an antenna-discharge unit, size of grounding conductors, location of antenna-discharge unit, connection to grounding electrodes, and requirements for the grounding electrode.

See figure:



16. Lightning - For added protection for this product during a lightning storm, or when it is left unattended and unused for long periods of time, unplug it from the wall outlet and disconnect the antenna or cable system. This will prevent damage to the product due to lightning and power-line surges.
17. Power Lines - An outside antenna system should not be located in the vicinity of overhead power lines or other electric light or power circuits, or where it can fall into such power lines or circuits. When installing an outside antenna system, extreme care should be taken to keep from touching such power lines or circuits as contact with them might be fatal.
18. Overloading - Do not overload wall outlets, extension cords, or integral convenience receptacles as this can result in a risk of fire or electric shock.
19. Object and Liquid Entry - Never push objects of any kind into this product through openings as they may touch dangerous voltage points or short-out parts that could result in a fire or electric shock. Never spill liquid of any kind on the product.
20. Servicing - Do not attempt to service this product yourself as opening or removing covers may expose you to dangerous voltage or other hazards. Refer all servicing to qualified service personnel.
21. Damage Requiring Service - Unplug this product from the wall outlet and refer servicing to qualified service personnel under the following conditions:
 - a) When the power-supply cord or plug is damaged,
 - b) If liquid has been spilled, or objects have fallen into the product,
 - c) If the product has been exposed to rain or water,
 - d) If the product does not operate normally by following the operating instructions. Adjust only those controls that are covered by the operating instructions as an improper adjustment of other controls may result in damage and will often require extensive work by a qualified technician to restore the product to its normal operation.
 - e) If the product has been dropped or damaged in any way, and
 - f) When the product exhibits a distinct change in performance - this indicates a need for service.
22. Replacement Parts - When replacement parts are required, be sure the service technician has used replacement parts specified by the manufacturer or have the same characteristics as the original part. Unauthorized substitutions may result in fire, electric shock, or other hazards.
23. Safety Check - Upon completion of any service or repairs to this product, ask the service technician to perform safety checks to determine that the product is in proper operating condition.
24. Wall or Ceiling Mounting - The product should be mounted to a wall or ceiling only as recommended by the manufacturer.
25. Heat - The product should be situated away from heat sources such as radiators, heat registers, stoves, or other products (including amplifiers) that produce heat.

In the Box



- UnderCabinet CD Player & Radio
- Remote Control
- 4-Spacers & 4-Screws
- Mounting Template
- Documentation

Features

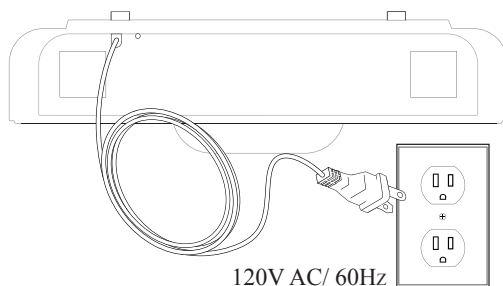
- Slim Drawer-Load CD/CD-R/RW Player with Programmable Tracks, Repeat Play & Skip/Search
- AM/FM Radio with Digital Readout Display
- Backlit Digital LCD Display
- Adjustable Kitchen Timer
- FM Wire Antenna
- Dual Front-Firing Speakers
- Mounts under cabinet to save counter space
- Under-Cabinet Mounting Template (Screws & Spacers Included)
- AC-Powered (AC Cord Built In)
- Battery Back-Up remembers the time during power shortage (Requires 3-AAA Batteries, not included)
- Slim CD Function Remote Control

Mounting the Unit

To mount the unit under a cabinet, follow the directions on the included *Mounting Template*.

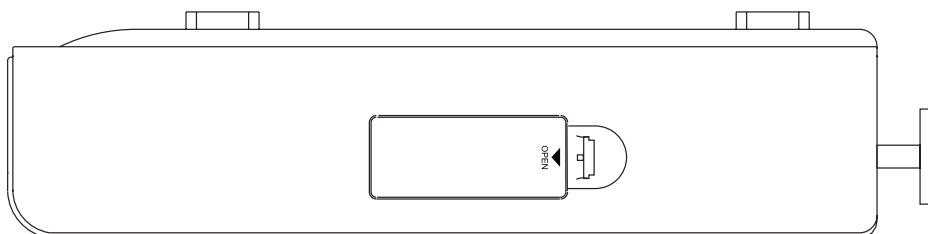
Powering the Unit

1. To power the unit, simply connect it to an AC outlet using the attached AC cord.
2. The plastic extensions on the back of the unit provide a holder for excess cord.

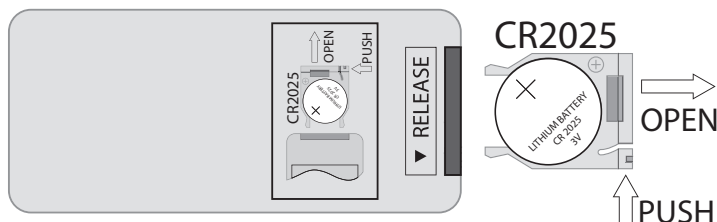


Battery Backup

Use 3 AAA Batteries to serve as a backup power source for the clock only. (Batteries not included)



Changing the Remote Battery



1. Push the Release Button and pull out the Battery Compartment to access the battery.
2. Replace the old battery with an equivalent new battery (CR2025).
3. The positive side of the battery, as indicated by a plus symbol, must be facing up when inserted into the remote.

Setting the Clock

1. Plug the unit into a standard 120V outlet. See “Powering the Unit”.
 2. With the unit powered off, press and hold the **PROG/CLK Set Button** for 4 seconds.
 3. Press the **Skip/Search Buttons** to adjust the hour and minute of the clock.
 4. When the correct time has been entered, press the **PROG/CLK Set Button** to set the entered time.
 5. When in Radio Mode, press the **Display Button** to view the time.
-



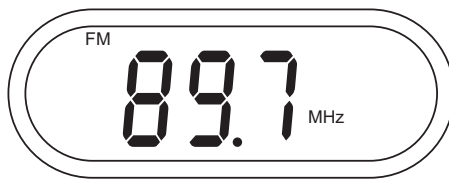
Setting the Kitchen Timer

1. Press the **Timer Button** consecutively to cycle through times from 180 minutes to 10 minutes in 10 minute intervals. Press the **Skip/Search Buttons** to change the timer in one minute intervals.
 2. Stop on the desired amount of time.
*To reset the Timer, press and hold the **Timer Button**.*
 3. After the allotted time has expired an alarm will sound.
 4. Press the **Power Button** to stop the alarm from sounding.
-



Tuning the AM & FM Radio

1. Turn the unit on by pressing the **Power Button**.
2. Press the **Function Button** to switch to Radio Mode.
3. Press the **Band Button** to select AM or FM radio band.
4. Turn the **Tuning Dial** to tune the radio.
5. When in Radio Mode, press the **Display Button** to view the time.



Playing a CD

1. Plug the unit into a standard 120V outlet. See “Powering the Unit”.
2. Press the **Power Button** to power the unit on.
3. Press the **Function Button** and switch to CD Mode.
4. Press the **Open/Close Button** to open the CD Drawer. Load a CD or CD-R/RW into the CD Drawer.
5. Press the **Play Button** to play the loaded CD. Press the **Pause Button** to pause a CD while playing.
6. Press the **Skip/Search Buttons** to skip tracks on an album. Press and hold the **Skip/Search Buttons** to search through an individual track.
7. Press the **Random Button** on remote to set the CD to play tracks randomly.
8. Press the **Repeat Button** once to repeat an individual track. Press the **Repeat Button** twice to repeat an entire album.
9. Press the **PROG/CLK Set Button** to program a CD to play specified tracks in a particular order. See “Programming a CD”.



Programing a CD

1. After loading a CD for play, press the **Function Button** and switch to CD Mode.
2. Press the **PROG/CLK Set Button**.

The number "01" will appear on the LCD Display. This indicates that the next track selected will be the first to play.

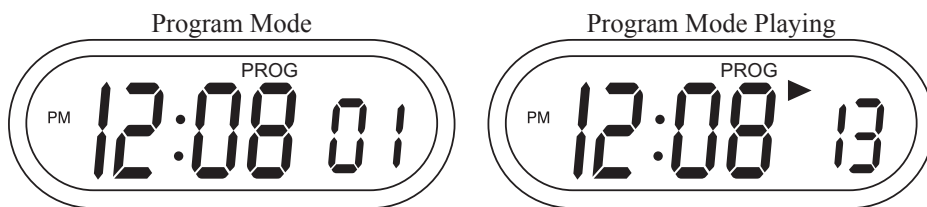
3. Press the **Skip/Search Buttons** to select a track from the CD.
4. Press the **PROG/CLK Set Button** to add the selected track to the program.

The number "02" will now appear on the LCD Display. This indicates that the next track selected will be the second to play.

5. Continue to select tracks using the **Skip/Search Buttons** and add them to the program using the **PROG/CLK Set Button** until all the desired tracks are added to the program.

Up to 20 tracks can be programmed.

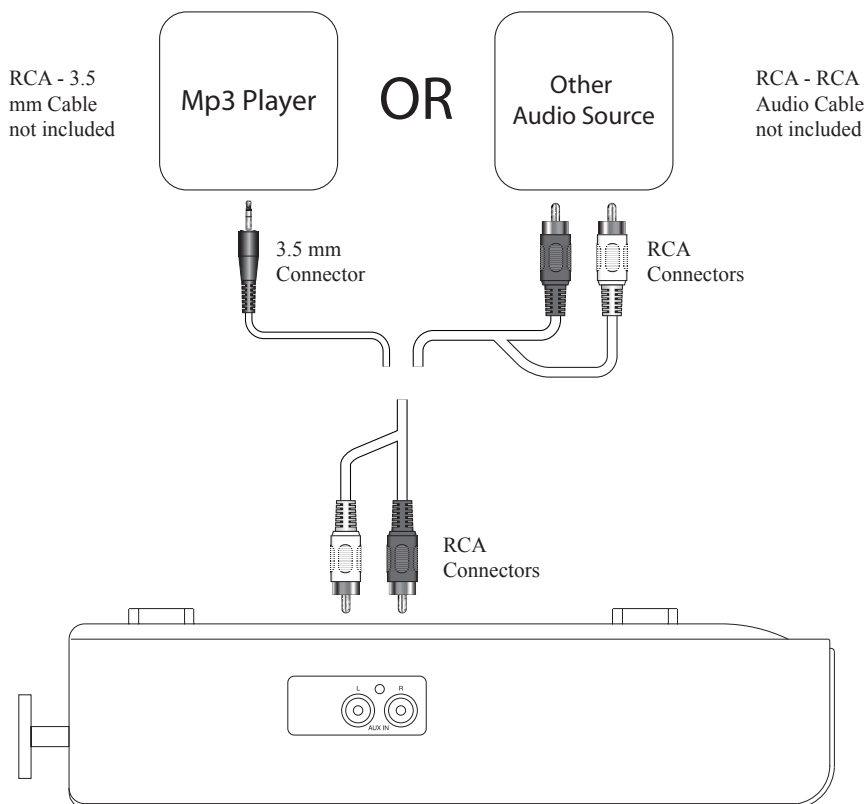
6. Press the **Play Button** to play the programmed tracks.



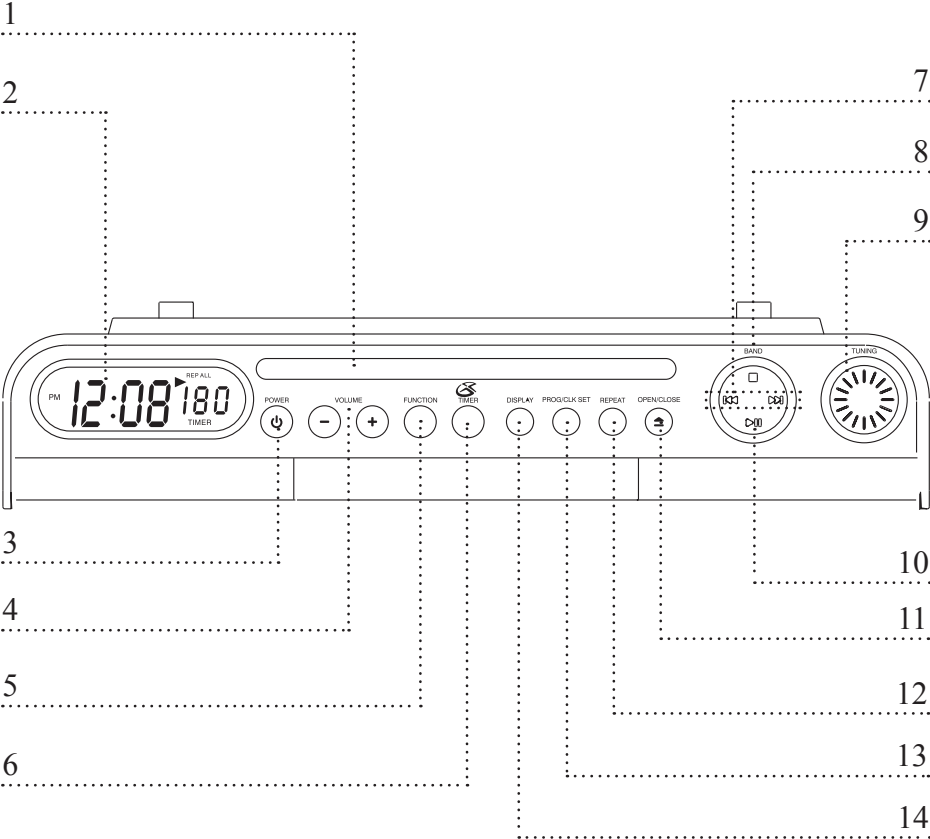
Auxiliary Input: from a Mp3 Player or Other Audio Source

When connecting two products using an RCA-RCA Cable, match the colored ports with the same colored connection. (Red to Red and White to White)

1. Connect an RCA Cable to the **Auxiliary Inputs** on the unit and the audio/video outputs on the Mp3 Player or Other Audio Source. (RCA Cable not included)
2. Turn the unit on by pressing the **Power Button**.
3. Press the **Function Button** until the unit is in *Aux Mode*.
4. Audio played through the connected Mp3 Player or Other Audio Source will now be heard from the unit.



Location of Controls: Front View



Control Definitions: Front Views


1 **CD Drawer**

The CD Drawer will load and play CD or CD-R/RW discs.

2 **LCD Display**

The LCD displays clock, radio, and CD information.

3 **Power Button**

Press the “” Button to turn the unit off and on.

4 **Volume Buttons**

Press the Volume Buttons to adjust the volume of the unit.

5 **Function Button**

Press the Function Button to switch between Radio Mode, CD Mode, and AUX Mode.

6 **Timer Button**

Press the Timer Button to set the timer.

7 **Skip/Search/Minute/Hour Button**

Press the Skip/Minute/Hour Buttons to skip between tracks on a CD or change the minute and hour when setting the clock. Press and hold the Search Button to search through an individual track on a CD.

8 **Stop/Band Button**

Press the Stop Button to stop a CD while it's playing. Press the Band Button to switch between AM and FM radio modes.

9 **Tuning Dial**

Turn the Tuning Dial to adjust the AM or FM radio frequency when in Radio Mode.

10 **Play/Pause Button**

Press the Play/Pause Button to play or pause a loaded CD.

11 **Open/Close Button**

Press the Open/Close Button to open and close the CD Drawer.

12 **Repeat Button**

Press the Repeat Button once to repeat an individual track (indicated by “REP” on the LCD Display). Press the Repeat Button twice to repeat an entire album (indicated by “REP ALL” on the LCD Display).

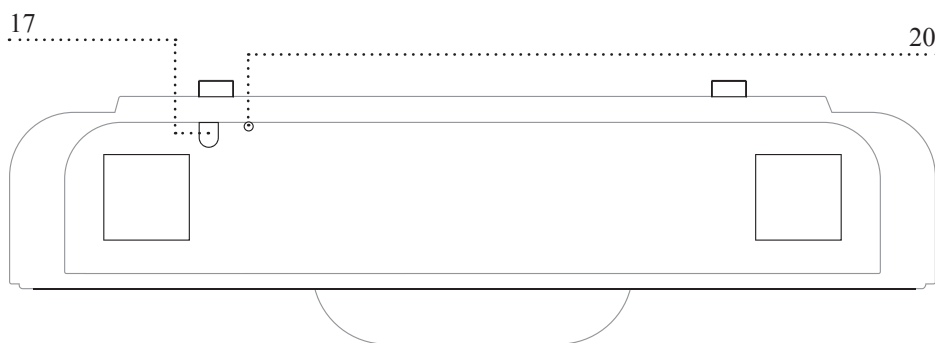
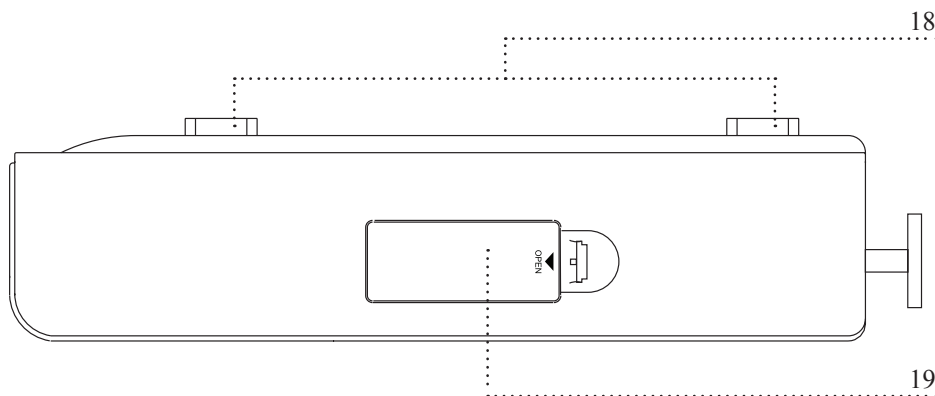
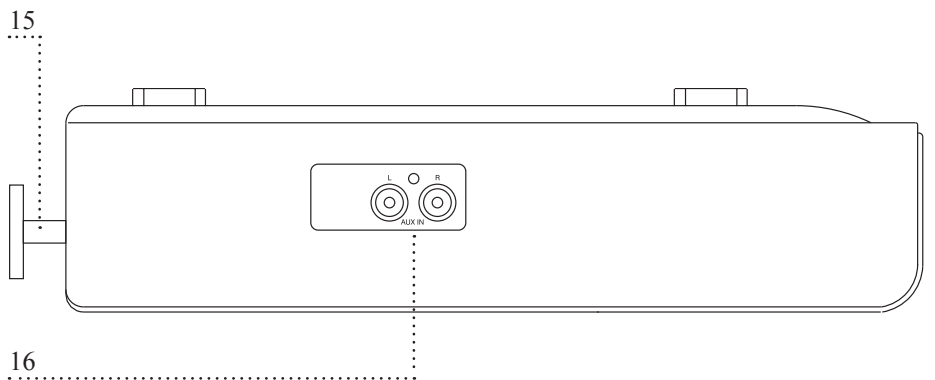
13 **PROG/CLK Set Button**

With the unit powered on and in CD Mode, press the PROG (Program) Button to program a CD to play specified tracks in a particular order. With the unit powered off, press the CLK (Clock) Set Button to set the time.

14 **Display Button**

Press the Display Button to display the time when in Radio Mode.

Location of Controls: Side & Back Views



Control Definitions: Side & Back Views

15 AC Cord Hooks

Use the AC Cord Hooks to wrap and store excess from the AC Cord.

16 AUX Inputs

Use the AUX (Auxiliary) Inputs to play audio from an Mp3 Player or Other Audio Source on the unit.

17 Attached AC Cord

Plug in the Attached AC Cord to a standard 120V outlet to provide power to the unit.

18 Mount Connections

The Mount Connections serve as screw receptacles when attaching the unit to a cabinet.

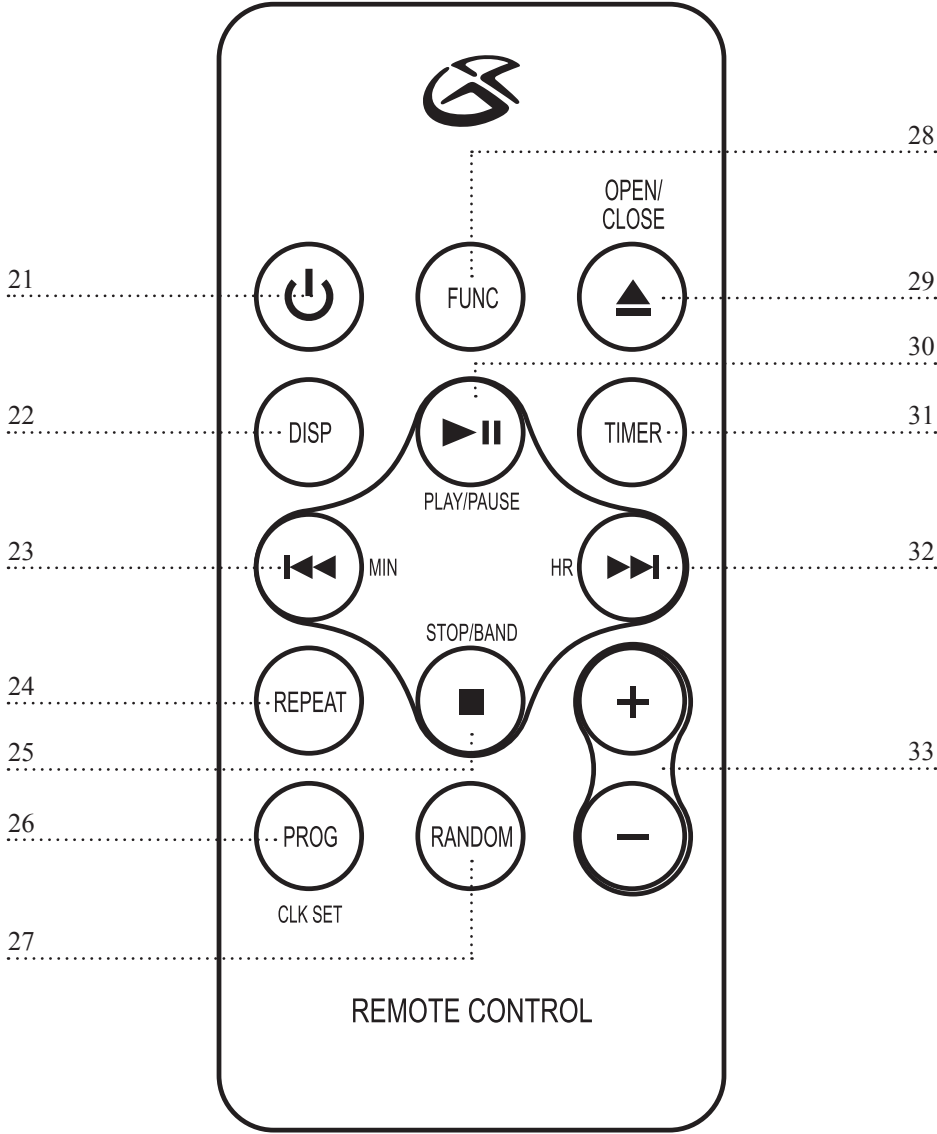
19 Backup Battery Compartment

The Backup Battery Compartment uses 3 AAA batteries to serve as a backup power source for the clock only. (Batteries not included)

20 FM Wire Antenna


The FM Wire Antenna provides reception for the FM Radio.

Location of Controls: Remote



Control Definitions: Remote

21 Power Button

Press the “” Button to turn the unit off and on.

22 DISP Button

Press the Display Button to display the time when in Radio Mode.

23 Skip/Search/MIN Button

Press the Skip/Minute Button to skip between tracks on a CD or change the minute when setting the clock. Press and hold the Search Button to search through an individual track on a CD.

24 Repeat Button

Press the Repeat Button once to repeat an individual track (indicated by “REP” on the LCD Display). Press the Repeat Button twice to repeat an entire album (indicated by “REP ALL” on the LCD Display).

25 Stop/Band Button

Press the Stop Button to stop a CD while it’s playing. Press the Band Button to switch between AM and FM radio modes.

26 PROG/CLK Set Button

With the unit powered on and in CD Mode, press the PROG (Program) Button to program a CD to play specified tracks in a particular order. With the unit powered off, press the CLK (Clock) Set Button to set the time.

27 Random Button

With the unit powered on and in CD Mode, press the Random Button to play random tracks from a loaded CD.

28 Function Button

Press the Function Button to switch between Radio Mode, CD Mode, and AUX Mode.

29 Open/Close Button

Press the Open/Close Button to open and close the CD Drawer.

30 Play/Pause Button

Press the Play/Pause Button to play or pause a loaded CD.

31 Timer Button

Press the Timer Button to set the timer.

32 Skip/Search/HR Button

Press the Skip/Hour Button to skip between tracks on a CD or change the hour when setting the clock. Press and hold the Search Button to search through an individual track on a CD.

33 Volume Buttons

Press the Volume Buttons to adjust the volume of the unit.



Service Information

Address 2116 Carr Street, St. Louis MO, 63106

Phone 1-314-621-2881

Fax 1-314-588-1805

Email prodinfo@gpx.com

Website www.gpx.com

To download this Instruction Manual in English, Spanish, or French visit the Support section at www.gpx.com.

Para descargar este manual de instrucción en inglés, español, o francés visite la sección de la ayuda en www.gpx.com.

Pour télécharger ce manuel d'instruction en anglais, espagnol, ou le Français visitez la section de soutien à www.gpx.com.

© 2007 DPI, Inc. All trademarks appearing herein are the property of their respective owners. All products subject to change without notice.

Free Manuals Download Website

<http://myh66.com>

<http://usermanuals.us>

<http://www.somanuals.com>

<http://www.4manuals.cc>

<http://www.manual-lib.com>

<http://www.404manual.com>

<http://www.luxmanual.com>

<http://aubethermostatmanual.com>

Golf course search by state

<http://golfingnear.com>

Email search by domain

<http://emailbydomain.com>

Auto manuals search

<http://auto.somanuals.com>

TV manuals search

<http://tv.somanuals.com>