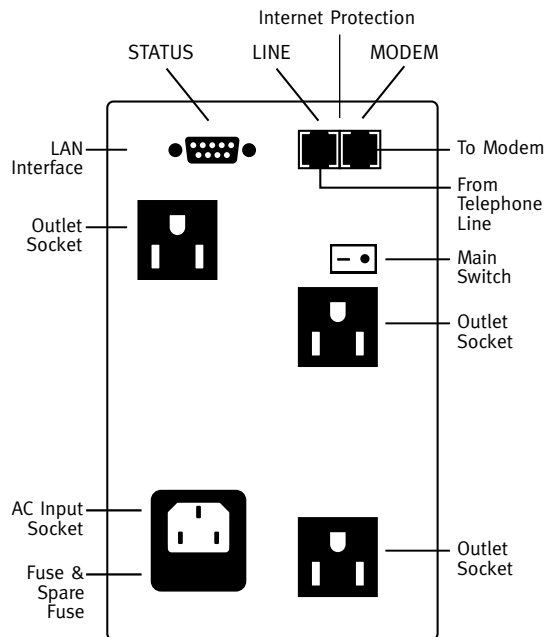


Troubleshooting Guide

System	Probable Cause	Recommended Solution
Power switch to "I" Position & LED and Alarm are OFF	Power cord disconnected	Connect power cord
	City power failure	Turn the power switch to "O" position. When the city power has resumed, turn the power to "I."
	AC fuse blown	Remove the load from the GN-675VA. Check the fuse near outlet, replace the fuse if it is blown.
	Control PCM error	Call Dealer for Service
Power switch to "I" position & LED is blinking YELLOW	GN-675VA input voltage over HI transfer voltage or under low transfer voltage	Make sure the voltage of city power is correct.
	Control PCB error	Call Dealer for Service
Red LED Light on	Battery under or GN-675VA as been shutdown	Charge battery, shut down, condition will release automatically.

GN-675VA Back Panel Functions



GN 675VA

UNINTERRUPTIBLE
Power Supply
GN-675VA

USER GUIDE GN-675VA



Overview:

The GN-675VA protects your sensitive electronic equipment from power disturbances. A power outage can occur when you least expect it – threatening the loss of critical data. The Genica GN-675VA Uninterruptible Power Supply works as a battery back up to protect your equipment and data in the event of a power loss. In addition, the ARV (automatic voltage regulator) and built-in line conditioner provides stable voltage when power fluctuates.

Also includes modem protection! By routing your modem cable through the GN-675 your modem will also be protected from damage by occurrences such as a lightning strike.

Importance Notices:

- Read instructions carefully before operating the GN-675VA UPS.
- All operation instructions should be followed.
- The GN-675VA should be powered by a grounded power source.
DO NOT OPERATE THE GN-675VA WITHOUT a grounded power source.
- Replace fuse with the same type and rating only.

Warning:

- Don't open the cover, there are no user serviceable parts inside.
- Don't insert any object into ventilation holes or other openings.
- The GN-675VA is for computer use only.

System Function:

- Automatic voltage regulator. Built-in line conditioner provides stable voltage when power fluctuates.
- Monitoring software allows the user to view status of the GN-675VA
- Modem (modem line) protection.
- Overload and short current protection.
- Automatically detect circuit and battery charge / discharge protection.

Electrical Specification

Inverter Capacity:	675VA
AC Input	110V +/- 20% 60Hz
Inverter Output (rms)	100VAC or 120VAC
Inverter Regulation	+/- 3%
Cosine	0.6
Inverter Frequency	50 or 60Hz + 2%
Transfer Time	< 3ms
Full Load Back-up Time	3 minutes
Battery Specification	7AH / 12V x 1

www.genica.com

Operation Instructions (FOR US / 110V use ONLY)

- Make sure that you are plugging the unit into 110V wall outlet (city power) and that the power switch is in "O" position.
- Plug AC (power) cord into the outlet and plug the power cord of the computer and peripherals into the female outlet of the GN-675VA.
- Turn the power switch on back of the GN-675VA in the "I" position and wait for about 3 seconds (soft start). Now the UPS is in AC operation mode and DC inverter output is in "stand by" mode.
- When AC input power is interrupted (AC power failure) the led will start blinking yellow, and an alarm will sound. The GN-675VA will switch to battery operation mode automatically.

CAUTION: After initial start-up, keep power on continuously to the GN-675VA for at least 12 hours to ensure batteries are fully charged.

Meaning of LED and ALARM

STATUS LED COLOR	ALARM SOUNDS	STATUS CONDITION
Green	X	City power normal and battery full
Green Blinking	X	City power normal and battery charging
Yellow Blinking	1 Time 2 Sec	City power loss
Yellow Blinking	1 Time 1 Sec	City power loss & battery low
Red		City power loss and battery low – Or the GN-675VA has been shut down.
Yellow 25%		Battery charged 25%
Yellow 50%		Battery charged 50%
Yellow 75%		Battery charged 75%
Yellow 100%		Battery charged 100%

Free Manuals Download Website

<http://myh66.com>

<http://usermanuals.us>

<http://www.somanuals.com>

<http://www.4manuals.cc>

<http://www.manual-lib.com>

<http://www.404manual.com>

<http://www.luxmanual.com>

<http://aubethermostatmanual.com>

Golf course search by state

<http://golfingnear.com>

Email search by domain

<http://emailbydomain.com>

Auto manuals search

<http://auto.somanuals.com>

TV manuals search

<http://tv.somanuals.com>