

# Genie®



## Operator's Manual

*with Maintenance Information*

Third Edition  
Second Printing  
Part No. 97600

**TML™-4000**  
**TML™-4000N**

---

## Important

Read, understand and obey these safety rules and operating instructions before operating this machine. Only trained and authorized personnel shall be permitted to operate this machine. This manual should be considered a permanent part of your machine and should remain with the machine at all times. If you have any questions, call Genie Industries.

---

## Contents

	Page
Safety .....	1
Legend .....	6
Controls .....	7
Pre-operation Inspection .....	8
Maintenance .....	10
Function Tests .....	13
Workplace Inspection .....	16
Operating Instructions .....	17
Transport and Lifting Instructions .....	20
Decals .....	22
Specifications .....	24
Reporting Safety Defects .....	25

---

## Contact us:

Internet: <http://www.genielift.com>  
 e-mail: [techpub@genieind.com](mailto:techpub@genieind.com)

---


Copyright © 2000 by Genie Industries

First Edition:      Second Printing, March 2001

Second Edition:    Fourth Printing, April 2002

Third Edition:      Second Printing, October 2004

"Genie" is a Registered Trademark of Genie Industries in the USA and many other countries. "TML" is a trademark of Genie Industries.

 Printed on recycled paper

Printed in U.S.A.

---

# Safety Rules



---

## Warning

Failure to obey the instructions and safety rules in this manual may result in death or serious injury.

---

## Do Not Operate Unless:

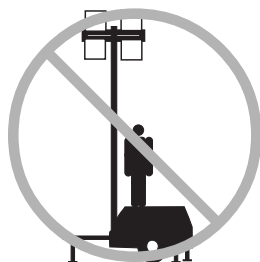
- You learn and practice the principles of safe machine operation contained in this operator's manual.
  - 1 Avoid hazardous situations.**
    - Know and understand the safety rules before going on to the next section.**
  - 2 Always perform a pre-operation inspection.
  - 3 Always perform the function tests prior to use.
  - 4 Inspect the workplace.
  - 5 Only use the machine as it was intended.
- You read, understand and obey the manufacturer's instructions and safety rules— safety and operator's manuals and machine decals.
- You read, understand and obey employer's safety rules and worksite regulations.
- You read, understand and obey all applicable governmental regulations.
- You are properly trained to safely operate the machine.

SAFETY RULES

**Fall Hazards**

Do not stand on the machine.

Do not climb on the mast.



**Tip-over Hazards**

Do not raise the mast to the vertical position unless all outriggers are properly deployed, the foot pads are in firm contact with the ground and the machine is level.

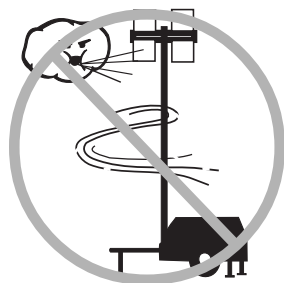
Do not set the machine up on a surface where it cannot be leveled using only the leveling jacks.

Do not hang any objects from the lights or mast.

Do not use the mast to raise material or personnel.

Do not move the machine unless the mast is lowered to the horizontal position and securely locked in place.

Do not extend the mast when wind speeds may exceed 60 mph / 27 m/sec.



Do not place ladders or scaffolds against any part of the machine.

Do not alter or disable machine components that in any way affect safety and stability.

Do not adjust or stow the outriggers when the mast is raised.

Do not use the machine on a moving or mobile surface or vehicle.

Be sure the tires are in good condition and the lug nuts are properly tightened.

**Electrocution Hazards**

This machine is **not** electrically insulated and will **not** provide protection from contact with or proximity to electrical current.

Maintain safe distances away from electrical power lines and apparatus in accordance with applicable governmental regulations and the following chart.

Voltage Phase to Phase	Minimum Safe Approach Distance	
	Feet	Meters
0 to 300V	Avoid Contact	
300V to 50KV	10	3.05
50KV to 200KV	15	4.60
200KV to 350KV	20	6.10
350KV to 500KV	25	7.62
500KV to 750KV	35	10.67
750KV to 1000KV	45	13.72

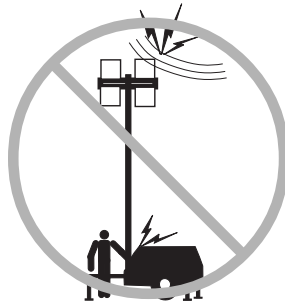
Allow for mast movement and electrical line sway or sag, and be aware of strong or gusty winds.

Do not operate the machine during lightning or storms.

Do not use the machine as a ground for welding.

## SAFETY RULES

Keep away from the machine if it contacts energized power lines. Personnel must not touch or operate the machine until power lines are shut off.



Do not connect wires directly to the generator. Connect auxiliary equipment only to the power outlets provided.

Inspect the power cord for damage prior to each use. Replace any damaged cord before operating.

Do not allow the power cord to become caught or crushed while raising, lowering or rotating the mast.

Avoid electrical shock from contact with battery terminals. Remove all rings, watches and other jewelry.

This machine should be grounded in accordance with all local electrical codes. Consult the local electrical codes or Authority Having Jurisdiction in the area where the machine will be used for specific requirements.

## Collision Hazard

Check the work area for overhead obstructions or other possible hazards.

## Bodily Injury Hazard

Do not grasp the cable.

Use proper lifting techniques when lifting and positioning the tongue of the machine.

Always replace the protective lamp cover after replacing the lamp bulbs.

## Burn Hazard

Do not touch the lamp fixtures while they are turned on. Turn the lamps off and allow them to cool before touching.

## Crushing Hazards

Do not lower the mast unless the area below is clear of personnel and obstructions.

Do not release the spring latch on the side of the machine unless the mast sections are fully retracted.

Keep hands and fingers away from any potential pinch points.

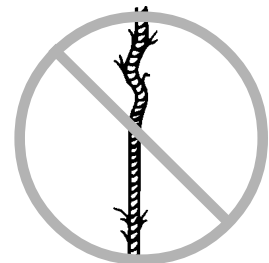
## Damaged Machine Hazards

Do not use a damaged or malfunctioning machine.

Do not use a machine with a worn, frayed, kinked or damaged cable.

Be sure the operator's manual is complete, legible and in the storage container located on the machine.

Be sure all decals are legible and in place.



## SAFETY RULES

### Explosion and Fire Hazards

Do not start the engine if you smell or detect diesel fuel or other explosive substances.

Do not refuel the machine with the engine running.

Refuel the machine and charge the battery only in an open, well-ventilated area away from sparks, flames and lighted tobacco.

Do not operate the machine in hazardous locations or locations where potentially flammable or explosive gases or particles may be present.

Keep sparks, flames and lighted tobacco away from the battery. Batteries emit an explosive gas.

Do not spray ether into the engine.

### Component Damage Hazards

Do not turn the lights on unless the engine is running. Always turn the lights off before shutting down the engine.

Do not use any battery charger greater than 12V to charge the battery.

Do not expose the battery or the charger to water or rain.

Do not replace lamp bulbs with any bulbs other than those specified on the machine and in this manual.

### Improper Use Hazard

When leaving the machine unattended, secure from unauthorized use. Unauthorized personnel may attempt to operate the machine without proper instruction, creating an unsafe condition.

### Towing Hazards

Read, understand and obey all of your tow vehicle manufacturer's recommendations, warnings and instructions before towing this machine.

Do not tow the machine unless the mast is lowered to the horizontal position and is properly stowed in the transport cradle.

Do not tow the machine unless the mast hold-down latch is securely locked in place.

Do not overload your tow vehicle. Check the manufacturer's Gross Vehicle Weight Rating (GVWR). To obtain the gross vehicle weight, add the tongue weight of the trailer to the vehicle weight (including vehicle, passengers and cargo).

Do not load cargo on the machine. The TML is not designed to carry any extra cargo.

Be sure the hitch is securely attached to the tow vehicle.

Be sure the safety chains (if required) are securely attached to the tow vehicle.

Be sure that all driving lights are operational.

Be sure all hitch components, lights and mirrors and methods of attaching the trailer to the tow vehicle conform to local, state and federal regulations.

Do not tow the machine on public roads unless it meets all governmental regulations for towing.

Do not exceed 60 mph / 97 km/h. Obey all local and national towing speed laws.

Be sure to chock the wheels of the trailer when parking on a hill.

## SAFETY RULES

## Decal Legend

Genie product decals use symbols, color coding and signal words to identify the following:



Safety alert symbol—used to alert personnel to potential personal injury hazards. Obey all safety messages that follow this symbol to avoid possible injury or death.

**▲ DANGER**

Red—used to indicate the presence of an imminently hazardous situation which, if not avoided, will result in death or serious injury.

**▲ WARNING**

Orange—used to indicate the presence of a potentially hazardous situation which, if not avoided, could result in death or serious injury.

**▲ CAUTION**

Yellow with safety alert symbol—used to indicate the presence of a potentially hazardous situation which, if not avoided, may cause minor or moderate injury.

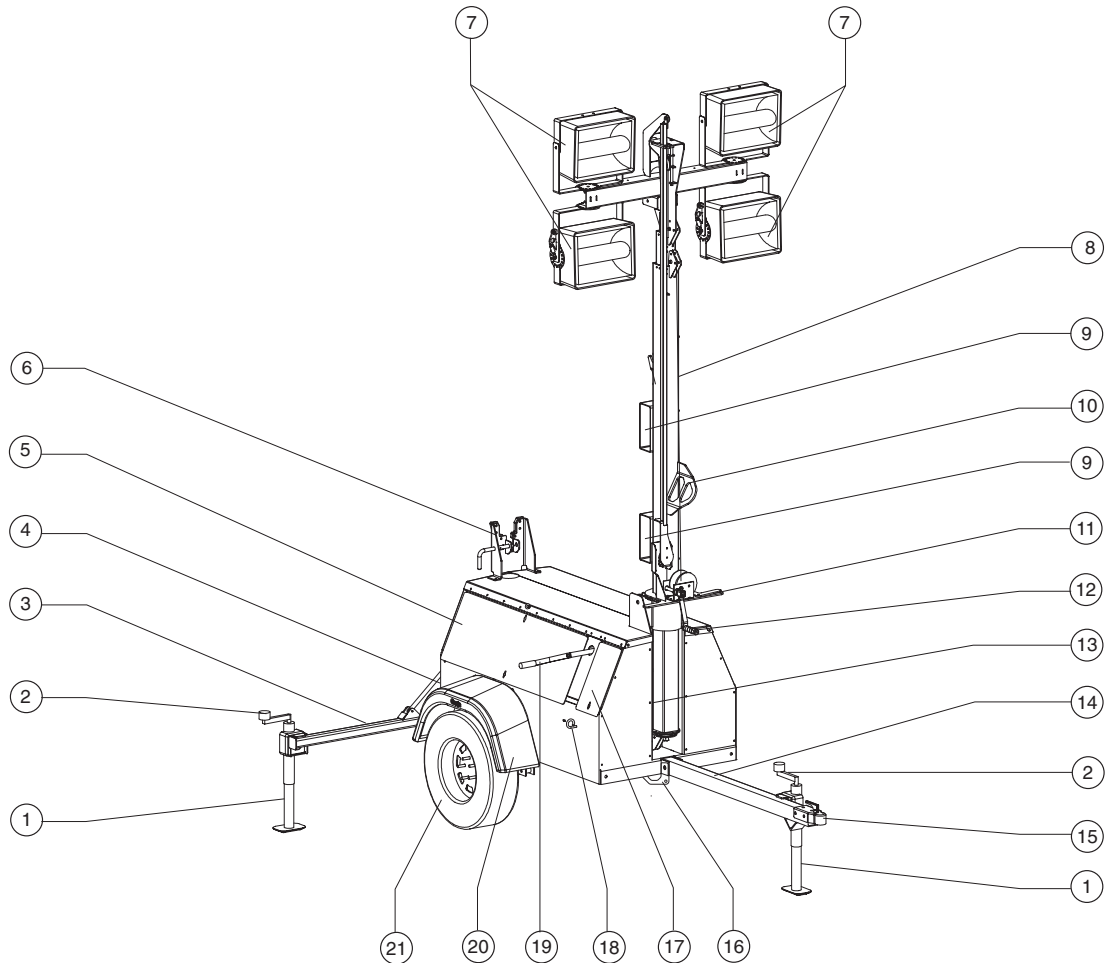
**CAUTION**

Yellow without safety alert symbol—used to indicate the presence of a potentially hazardous situation which, if not avoided, may result in property damage.

**NOTICE**

Green—used to indicate operation or maintenance information.

# Legend



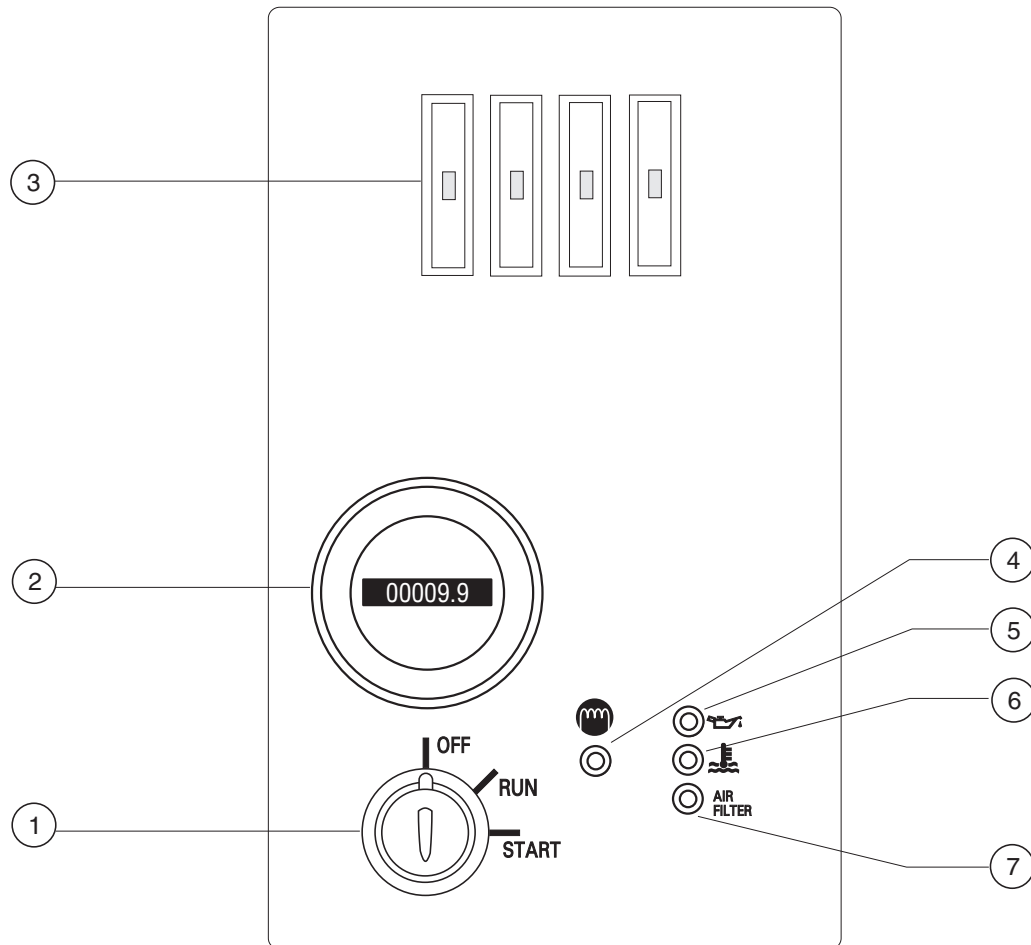
- 1 Outrigger leveling jack with footpad
- 2 Outrigger jack handle
- 3 Outrigger
- 4 Transport tie-down (hidden behind machine)
- 5 Cover  
Access under this cover:  
Engine  
Generator  
Grounding rod attachment  
Power outlets (Standard models)

- 6 Mast hold-down latch
- 7 Lamp fixtures
- 8 Mast
- 9 Forklift pocket
- 10 Lifting eye
- 11 Mast rotation lever
- 12 Extend/Retract winch handle
- Access under opposite cover:  
Fuel tank  
Power outlets (Narrow models)  
Manual storage container

- 13 Front spring latch (behind mast)
- 14 Tongue outrigger
- 15 Coupler
- 16 Transport tie-down (one on each side of tongue outrigger)
- 17 Control panel (under cover)
- 18 Mast release latch
- 19 Raise/Lower winch handle
- 20 Fender
- 21 Tire



# Controls



## Control Panel

- |   |                                |  |
|---|--------------------------------|--|
| 1 Key switch                              | 4 Glow plug indicator light    | 6 Water temperature indicator light    |
| 2 Hour meter                              | 5 Oil pressure indicator light | 7 Air filter condition indicator light |
| 3 Circuit breaker switches for lights (4) |                                |  |

# Pre-operation Inspection



---

## Do Not Operate Unless:

- You learn and practice the principles of safe machine operation contained in this operator's manual.

- 1 Avoid hazardous situations.

- 2 Always perform a pre-operation inspection.**

**Know and understand the pre-operation inspection before going on to the next section.**

- 3 Always perform the function tests prior to use.

- 4 Inspect the workplace.

- 5 Only use the machine as it was intended.

## Fundamentals

It is the responsibility of the operator to perform a pre-operation inspection and routine maintenance.

The pre-operation Inspection is a visual inspection performed by the operator prior to each work shift. The inspection is designed to discover if anything is apparently wrong with a machine before the operator performs the function tests.

The pre-operation inspection also serves to determine if routine maintenance procedures are required. Only routine maintenance items specified in this manual may be performed by the operator.

Refer to the list on the next page and check each of the items.

If damage or any unauthorized variation from factory delivered condition is discovered, the machine must be tagged and removed from service.

Repairs to the machine may only be made by a qualified service technician, according to the manufacturer's specifications. After repairs are completed, the operator must perform a pre-operation inspection again before going on to the function tests.

Scheduled maintenance inspections shall be performed by qualified service technicians, according to the manufacturer's specifications.

## PRE-OPERATION INSPECTION

## Pre-operation Inspection

---

- Be sure that the operator's manual is complete, legible and in the storage container located on the machine.
- Be sure that all decals are legible and in place. See Decals section.
- Check for engine oil leaks and proper fluid level. Add oil if needed. See Maintenance section.
- Check for engine coolant leaks and proper coolant level. Add coolant if necessary. See Maintenance section.
- Check for battery fluid leaks and proper fluid level. Add distilled water if needed. See Maintenance section.
- Check for proper tire pressure and lug nut torque. Add air to tires if needed. See Maintenance section.

Check the following components or areas for damage, improperly installed or missing parts and unauthorized modifications:

- Electrical components, wiring and electrical cables
- Mast tubes
- Winches and related components
- Latches and pins
- Tires and wheels
- Trailer lights and reflectors
- Outriggers, leveling jacks and foot pads
- Nuts, bolts and other fasteners
- Lamp fixtures and bulbs
- Cable (kinks, frays and abrasions)
- Safety chains (if required)
- Engine and related components
- Fuel tank
- Generator

Check entire machine for:

- Cracks in welds or structural components
- Dents or damage to machine
- Be sure that all structural and other critical components are present and all associated fasteners and pins are in place and properly tightened.
- Be sure that the battery is in place and properly connected.

# Maintenance



## Observe and Obey:

- ☑ Only routine maintenance items specified in this manual shall be performed by the operator.
- ☑ Scheduled maintenance inspections shall be completed by qualified service technicians, according to the manufacturer's specifications and the requirements specified in the responsibilities manual.

## Maintenance Symbols Legend

**NOTICE** The following symbols have been used in this manual to help communicate the intent of the instructions. When one or more of the symbols appear at the beginning of a maintenance procedure, it conveys the meaning below.



Indicates that tools will be required to perform this procedure.



Indicates that new parts will be required to perform this procedure.

## Check the Engine Oil Level



Maintaining the proper engine oil level is essential to good engine performance and service life. Operating the machine with an improper oil level can damage engine components.

**NOTICE** Check the oil level with the engine off.

- 1 Check the oil level dipstick. Add oil if needed.

---

### Deutz F3M 1008 Engine Deutz F3M 1008F Engine

---

oil type	10W-40
oil type cold conditions	5W-40

---

### Perkins 103-10 Engine

---

oil type	15W-40
oil type cold conditions	5W-20

---

### Perkins 403C-11G

---

oil type	15W-40
oil type cold conditions	5W-20

---

## MAINTENANCE

## Check the Engine Coolant Level



Maintaining the engine coolant at the proper level is essential to engine service life. Improper coolant level will affect the engine's cooling capability and damage engine components. Daily checks will allow the inspector to identify changes in coolant level that might indicate cooling system problems.

- 1 Remove the radiator cap and check the coolant level. Add fluid as needed.

**⚠ WARNING** Bodily injury hazard. Fluids in the radiator are under pressure and extremely hot. Use caution when removing cap and adding fluids.

## Check the Battery



Proper battery condition is essential to good engine performance and operational safety. Improper fluid levels or damaged cables and connections can result in engine component damage and hazardous conditions.

**NOTICE** This procedure does not need to be performed on machines with sealed or maintenance-free batteries.

**⚠ WARNING** Electrocutation hazard. Contact with hot or live circuits could result in death or serious injury. Remove all rings, watches and other jewelry.

**⚠ WARNING** Bodily injury hazard. Batteries contain acid. Avoid spilling or contacting battery acid. Neutralize battery acid spills with baking soda and water.

- 1 Put on protective clothing and eye wear.
- 2 Be sure the battery cable connections are tight and free of corrosion.
- 3 Remove the battery vent caps.
- 4 Check the battery acid level. If needed, replenish with distilled water to the bottom of the battery fill tube. Do not overfill.
- 5 Install the vent caps.

## MAINTENANCE

## Check the Tires and Wheels



**⚠ WARNING** Bodily injury hazard. An over-inflated tire can explode and may cause death or serious injury.

**⚠ WARNING** Collision hazard. An excessively worn tire can cause poor handling and continued use could result in tire failure.

**⚠ WARNING** Tip-over hazard. Do not use temporary flat tire repair products.

Maintaining the tires and wheels in good condition is essential to safe operation and good performance. Tire and/or wheel failure could result in a machine tip-over. Component damage may also result if problems are not discovered and repaired in a timely fashion.

- 1 Check the tire surface and sidewalls for cuts, cracks, punctures and uneven or excessive tread wear. Replace the tire if uneven or excessive tread wear is found.
- 2 Check each wheel for damage, bends and cracks. Replace the wheel if any damage is found.

**NOTICE** Tires and wheels must be replaced with tires and wheels of the specifications listed.

- 3 Check each tire with an air pressure gauge and add air as needed.

- 4 Check the torque of each lug nut.

---

### Tires and wheels - Standard and Narrow models

---

Tire size	ST185/80D13	
Rim size	13 x 4.5 in	33 x 11.4 cm
Lug nut torque	80 ft-lbs	108 Nm
Tire pressure (cold)	50 psi	3.4 bar

---

## Scheduled Maintenance

Maintenance performed quarterly, annually and every two years must be completed by a person trained and qualified to perform maintenance on this machine according to the procedures found in the service manual for this machine.

Machines that have been out of service for more than three months must receive the quarterly inspection before they are put back into service.

# Function Tests



---

## Do Not Operate Unless:

- You learn and practice the principles of safe machine operation contained in this operator's manual.
- 1 Avoid hazardous situations.
- 2 Always perform a pre-operation inspection.
- 3 **Always perform function tests prior to use.**  
**Know and understand the function tests before going on to the next section.**
- 4 Inspect the workplace.
- 5 Only use the machine as it was intended.

## Fundamentals

The function tests are designed to discover any malfunctions before the machine is put into service. The operator must follow the step-by-step instructions to test all machine functions.

A malfunctioning machine must never be used. If malfunctions are discovered, the machine must be tagged and removed from service. Repairs to the machine may only be made by a qualified service technician, according to the manufacturer's specifications.

After repairs are completed, the operator must perform a pre-operation inspection and function tests again before putting the machine into service.

## FUNCTION TESTS

## Setup

- 1 Position the machine at the desired work site.
- 2 Disconnect the trailer lights and safety chains.
- 3 Open the latch on the coupler.
- 4 Pull the release pin on the tongue outrigger and rotate the outrigger towards the ground until the outrigger pin locks securely in place.
- 5 Turn the jack handle to lower the outrigger foot pad and raise the tongue of the machine enough to clear the tow vehicle.
- 6 Release the spring pin on the side outriggers and lower them to the ground. Make sure the locking arms are locked in place.
- 7 Turn the outrigger jack handles to level the machine. Level the machine using only the leveling jacks.

## Install the Lamp Fixtures (if applicable)

For each lamp fixture:

- 8 Remove the lamp fixture from the storage location under the covers.
- 9 Slide the fixture into the holes on the mounting bracket and close the latches.
- 10 Insert and close the safety pins.
- 11 Remove the cap from the receptacle socket and connect the electrical plug.

Note: Make sure the safety pins are properly installed before raising the mast.

## Test the Machine Functions

By raising and extending, then retracting and lowering the mast back to the horizontal position, the following functions will be tested: **winches, latches, mast extension and mast rotation.**

- 12 Unlock the mast hold-down latch.
- 13 Turn the raise/lower winch handle clockwise until the mast raises approximately 2 feet / 60 cm.
  - ⊙ Result: A clicking sound should be heard as the winch handle is turned.
- 14 Release the winch handle.
  - ⊙ Result: The winch brake should hold when the handle is released.
- 15 Continue to turn the winch handle clockwise until the mast reaches full vertical position.
  - ⊙ Result: The mast should raise smoothly, free of hesitation or binding.
  - ⊙ Result: The spring latch on the front of the machine should lock the mast securely into place.
- 16 Turn the extend/retract winch handle clockwise until the mast extends approximately 2 feet / 60 cm.
  - ⊙ Result: A clicking sound should be heard as the winch handle is turned.
  - ⊙ Result: The mast sections should telescope smoothly, free of hesitation or binding.
- 17 Release the winch handle.
  - ⊙ Result: The winch brake should hold when the handle is released.



## FUNCTION TESTS

- 18 Press and hold the mast rotation lever.
- 19 Rotate the mast clockwise and then counterclockwise as far as it will go in either direction.
- ⦿ Result: The mast should rotate smoothly and easily in both directions.
- 20 Rotate the mast back to its original position. Line up the black arrows on the front of the mast.
- 21 Release the mast rotation lever.
- 22 Attempt to rotate the mast in both directions.
- ⦿ Result: The mast should not rotate.
- 23 Turn the extend/retract winch handle counterclockwise until the mast sections are fully retracted. Line up the blue arrows on the side of the mast.
- ⦿ Result: No clicking sound should be heard when the winch handle is turned.
- 24 Pull and hold the mast release latch below the control panel.
- 25 Begin lowering the mast to the horizontal position by turning the raise/lower winch handle counterclockwise and holding the release latch open.
- ⦿ Result: No clicking sound should be heard when the winch handle is turned.
- 26 Release the mast release latch and continue to crank the winch handle counterclockwise until the mast reaches horizontal position.

Note: Make sure the mast is lowered completely into the transport cradle. Follow the mast stowing instructions in the Operating Instructions section to make sure the mast hold-down latch is securely locked.

## Test the Lights

- 27 Make sure the circuit breaker light switches are in the off position.
- 28 Start the engine. See Starting the Engine in the Operating Instructions section.
- 29 Turn all four circuit breaker light switches to the on position.
- ⦿ Result: The lights should come on.

Note: It can take up to 20 minutes for the lights to reach full intensity. If the lights are turned off and turned back on while they are still warm, they will not light up again for 20-30 minutes.

Note: Make sure the circuit breaker light switches are turned off before shutting down the engine.

# Workplace Inspection



## Do Not Operate Unless:

- You learn and practice the principles of safe machine operation contained in this operator's manual.
- 1 Avoid hazardous situations.
- 2 Always perform a pre-operation inspection.
- 3 Always perform function tests prior to use.
- 4 **Inspect the workplace.**  
**Know and understand the workplace inspection before going on to the next section.**
- 5 Only use the machine as it was intended.

Be aware of and avoid the following hazardous situations:

- Drop-offs or holes
- Bumps and obstructions
- Debris
- Slopes that exceed the machine's leveling capability
- Unstable or slippery surfaces
- Overhead obstructions and high voltage conductors
- Hazardous locations
- Inadequate surface support to withstand all load forces imposed by the machine
- Wind and weather conditions
- The presence of unauthorized personnel
- All other possible unsafe conditions

## Fundamentals

The workplace inspection helps the operator determine if the workplace is suitable for safe machine operation. It should be performed by the operator prior to moving the machine to the workplace.

It is the operator's responsibility to read and remember the workplace hazards, then watch for and avoid them while moving, setting up and operating the machine.

# Operating Instructions



## Do Not Operate Unless:

- You learn and practice the principles of safe machine operation contained in this operator's manual.
- 1 Avoid hazardous situations.
- 2 Always perform a pre-operation inspection.
- 3 Always perform function tests prior to use.
- 4 Inspect the workplace.
- 5 **Only use the machine as it was intended.**

## Fundamentals

The Operating Instructions section provides instructions for each aspect of machine operation. It is the operator's responsibility to follow all the safety rules and instructions in the operator's, safety and responsibilities manuals.

If more than one operator is expected to use a machine at different times in the same work shift, each operator is expected to follow all safety rules and instructions in the operator's manual. That means every new operator should perform a pre-operation inspection, function tests and a work place inspection before using the machine.

## Setup

Make sure the machine is set up according to the Setup procedure in the Function Tests section.

## Starting the Engine

- 1 Make sure the circuit breaker light switches are in the off position.
- 2 At the control panel, turn the key or turn the switch to the run position. The glow plug light will come on.
- 3 Wait for the glow plug light to go off.
- 4 Turn the key or turn the switch to start.

Note: If the key or switch is not turned to start within 10 seconds of the glow plug light going off, the engine may fail to start. If this happens, turn the key or switch to the off position and repeat the procedure.

Note: If the glow plug light is flashing during the preheat cycle, the battery is low.

## Operation of Lights

- 1 Turn on the lights using the circuit breaker switches located on the control panel. Each switch corresponds to one of the lamps.

Note: The lights can take up to 20 minutes to reach full intensity.

Note: If the lights are turned off and turned back on while they are still warm, they will not light up again for 20-30 minutes.

- 2 Turn the lights off by turning the circuit breaker switches to the off position. Make sure the lights are turned off before shutting down the engine.

## OPERATING INSTRUCTIONS

### To Raise the Mast

- 1 Unlock the mast hold-down latch.
- 2 Turn the Raise/Lower winch handle clockwise until the mast reaches the full vertical position and the front spring latch locks the mast firmly in place.

### To Extend the Mast

- 1 Turn the Extend/Retract winch handle clockwise to extend the mast sections.
- 2 Approximately 6 inches / 15 cm below full mast extension, the lamp fixture will begin to tilt. The more the winch handle is turned, the greater the tilt, until the mast is fully extended and the lights are positioned.

Note: To adjust the lights after the mast is fully extended, slowly lower the mast by turning the winch handle counterclockwise until the lights are in the desired position.

### To Rotate the Mast

- 1 Press and hold the mast rotation lever and rotate the mast to the desired position.
- 2 Release the lever.

### To Stow the Mast

- 1 Press and hold the mast rotation lever and rotate the mast to its original position. Line up the black arrows on the front of the mast.
- 2 Turn the Extend/Retract winch handle counterclockwise until the mast sections retract. The mast is fully retracted when the blue arrows on the side of the mast are lined up.
- 3 Pull and hold the mast release latch below the control panel.
- 4 Turn the Raise/Lower winch handle counterclockwise and lower the mast completely into the transport cradle.

Note: If the mast has not been fully retracted, it will not rest completely in the cradle.

- 5 Turn the mast hold-down latch handle counterclockwise and push into the lock.
- 6 Turn the latch handle clockwise until the handle points straight down. The latch should turn freely without binding or hesitation.

### Grounding Rod Attachment

A grounding rod attachment is located next to the generator under the cover on the control panel side of the machine.

### After Each Use

- 1 Select a safe parking location—firm, level surface, clear of obstructions and traffic.
- 2 Remove the key OR lock the control panel to secure from unauthorized use.

### To Store the Lamp Fixtures (Standard models)

Note: Do not touch hot lamp fixtures. Make sure the lights are turned off and the lamp fixtures have cooled down before touching.

For each lamp fixture:

- 1 Disconnect the electrical plug and cap the receptacle socket.
- 2 Remove the safety pins and release the latches.
- 3 Pull the lamp fixture up and off the mounting bracket.
- 4 Slide the lamp fixture onto the channels located under the covers.
- 5 Close and secure the covers before transport.

## OPERATING INSTRUCTIONS

## Towing

- 1 Make sure the mast hold-down latch is securely locked in place.
- 2 Make sure the covers are closed and secured.
- 3 Push to release the lock handle on each of the side outriggers and place in the stowed position. Make sure the spring pins lock the outriggers securely in place.
- 4 Raise the tongue of the machine by turning the tongue outrigger jack handle.
- 5 Position the transport vehicle under the coupler on the tongue of the machine.
- 6 Open the latch on the coupler.
- 7 Turn the tongue outrigger jack handle to lower the tongue and raise the outrigger foot pad off the ground.
- 8 Close the latch on the coupler.
- 9 Rotate the tongue outrigger to the stowed position and secure with the lock pin.
- 10 Attach the safety chains (if required).
- 11 Connect and test the trailer lights.

## Towing Information

Use the checklist provided on the back cover of this manual before towing and while on the road.

Inspect all connections at each stop.

### **Driving a vehicle/trailer combination is different from driving a vehicle alone.**

All tires must be properly inflated. Find the recommended cold tire pressures on the tire sidewall or trailer decal. Do not overinflate the tires. Tire pressures go up during driving. Checking the tire pressure when the tires are warm will give you an inaccurate pressure reading.

Increase the distance between your vehicle and the vehicle in front of you to twice the normal following distance when towing a trailer. Allow more following distance in adverse weather.

Slow down for downgrades and shift your transmission into a lower gear.

Slow down for curves, hazardous road conditions, freeway exits, and when driving in adverse weather.

Heavy winds, excessive speed, load shifting or passing vehicles can cause the trailer to sway while driving. If this occurs, do not brake, speed up or turn the steering wheel. Turning the steering wheel or applying the brakes can cause the vehicle and trailer to jackknife. Let up on the gas pedal and keep the steering wheel straight.

If the vehicle and/or trailer travels off the paved road, hold the steering wheel firmly and let up on the gas pedal. Do not apply the brakes. Do not turn sharply. Slow down to under 25 mph / 40 km/h. Gradually turn the steering wheel to get back on the road. Proceed with caution when entering traffic.

When passing other vehicles, be sure to leave enough room for the extra length of the trailer. You will need to go much farther beyond the passed vehicle before you can return to your lane.

Avoid jerky or sudden movements when turning.

# Transport and Lifting Instructions



## Observe and Obey:

- ☑ Common sense and planning must be applied to control the movement of the machine when lifting it with a crane or forklift.
- ☑ The transport vehicle must be parked on a level surface.
- ☑ The transport vehicle must be secured to prevent rolling while the machine is being loaded.
- ☑ Be sure the vehicle capacity, loading surfaces and chains or straps are sufficient to withstand the machine weight. See the serial plate for the machine weight.

## Securing to Truck or Trailer for Transit

Fully lower and retract the mast. See To Stow the Mast in the Operating Instructions section.

Make sure the mast hold-down latch is securely locked in place.

Close and secure the covers.

Lower the tongue outrigger jack to support the tongue during transport.

Raise and stow the outriggers.

Chock the machine wheels in preparation for transport.

Turn the key switch to the off position and remove the key OR lock the control panel to secure from unauthorized use.

Inspect the entire machine for loose or unsecured items.

## Securing the Chassis

Place a block on both sides of the axle behind the wheels.

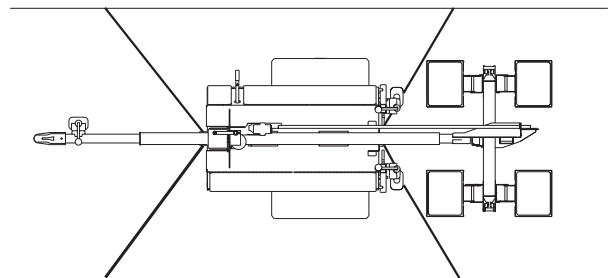
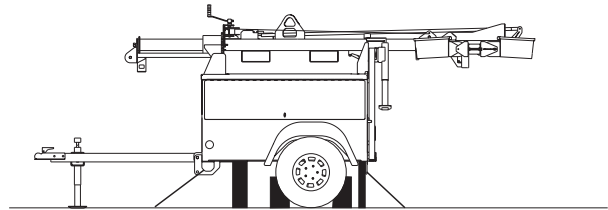
Place a block under the chassis at both ends of the machine.

Use the two tie-down points on the machine for anchoring down to the transport surface.

Use chains or straps of ample load capacity.

Use a minimum of 2 chains to secure the chassis.

Adjust the rigging to prevent damage to the chains.



## TRANSPORT AND LIFTING INSTRUCTIONS

**Observe and Obey:**

- Only qualified riggers should rig and lift the machine.
- Be sure the crane capacity, loading surfaces and straps or lines are sufficient to withstand the machine weight. See the serial plate for the machine weight.

**Lifting the Machine With a Crane**

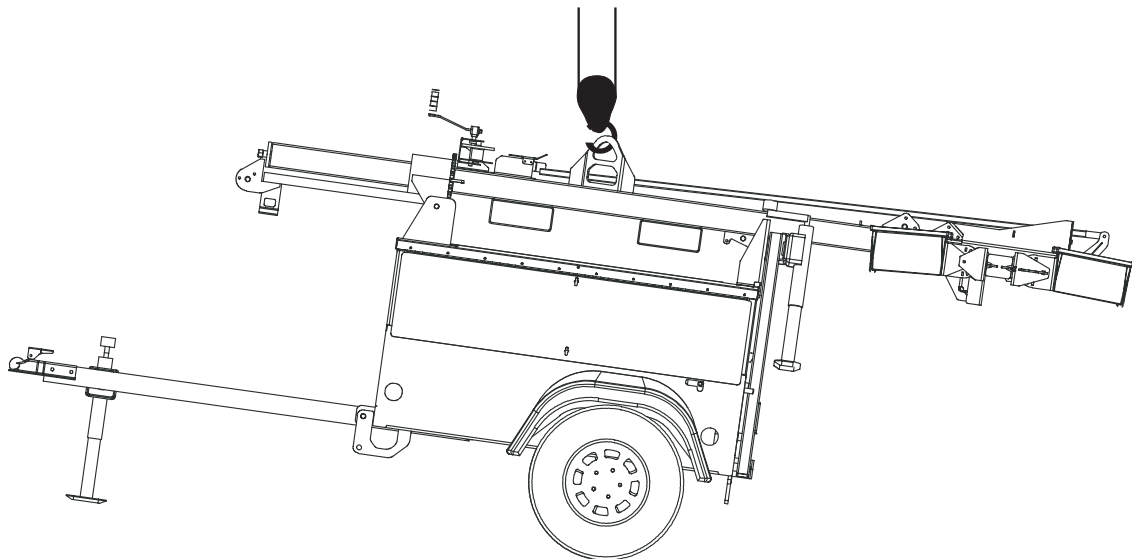
Fully lower and retract the mast. See To Stow the Mast in the Operating Instructions section.

Make sure the mast hold-down latch is securely locked in place.

Close and secure the covers.

Inspect the entire machine for loose or unsecured items.

Use the lifting eye mounted on the mast to lift the machine.



# Decals

## Decal Inspection

Use the pictures on the next page to verify that all decals are legible and in place.

Below is a numerical list with quantities and descriptions.

Part No.	Description	Quantity
28159	Label - Diesel	1
28161	Warning - Crushing Hazard	6
28164	Notice - Hazardous Materials	2
28171	Label - No Smoking	1
31072	Manual Storage Container	1
52475	Label - Transport Tie-down	2
62707	Warning - Tow Speed	1
65408	Notice - Operating Instructions	1
65409	Notice - Mast Rotation Instructions	1
65411	Warning - General Safety	1
65412	Warning - Transport Instructions	1
65414	Danger - Electrocutation Hazard	2
65421	Warning - Electrocutation, Generator	2
65423	Notice - Deutz Engine Specs	1
72008	Caution - Turn Off Lights	1
72009	Cosmetic - Genie TML-4000	2
72010	Cosmetic - Genie TML-4000N	2
72018	Label - Raise/Lower Winch	1
72019	Danger - High Voltage	1
72077	Label - Black Arrow	2
72826	Label - Extend/Retract Winch	1
72828	Notice - Tire Specifications	2

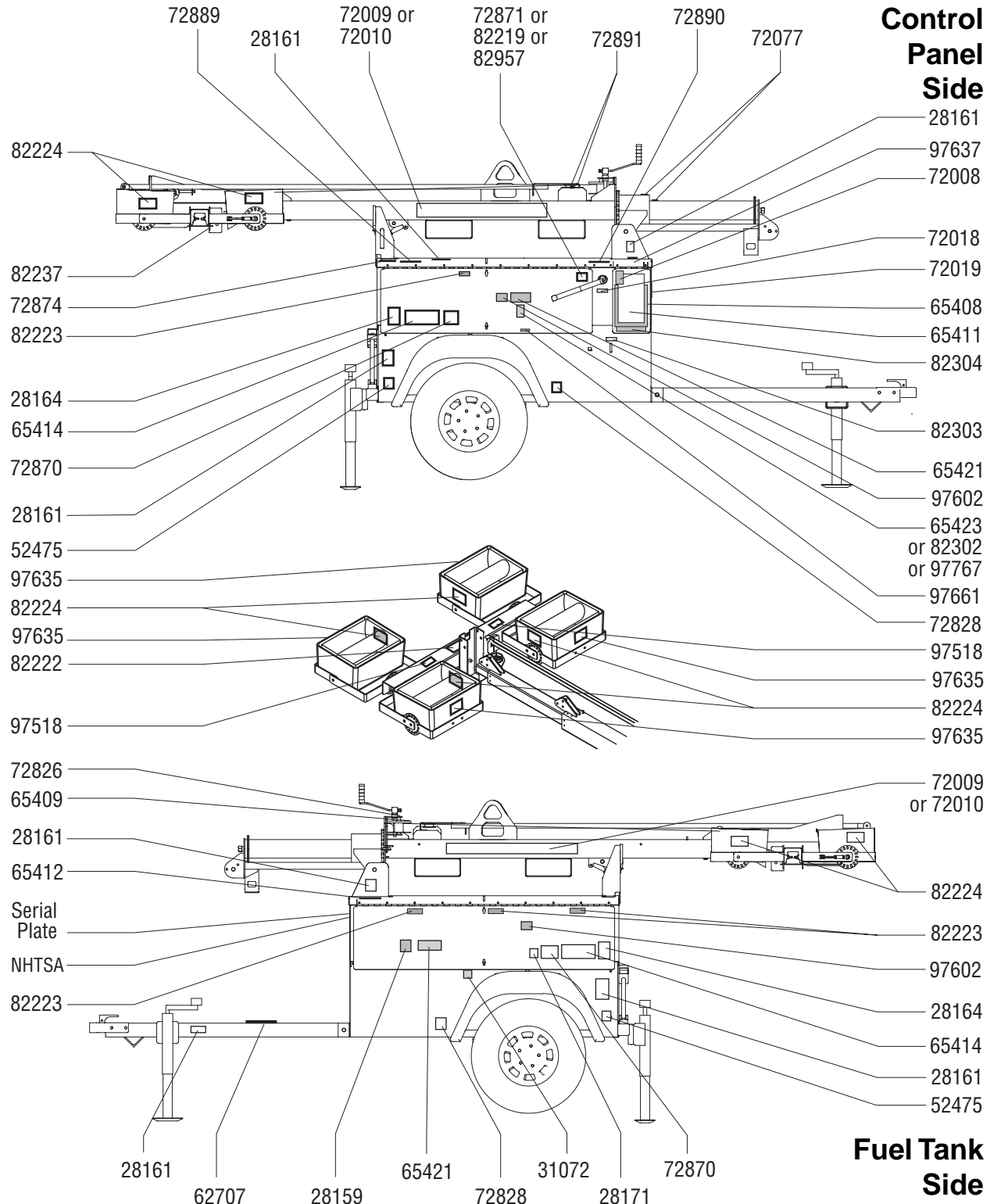
Part No.	Description	Quantity
72870	Caution - Component Contact	2
72871	Label - Power Outlet, 120V	1
72874	Label - Locked, Unlocked	1
72889	Warning - Transport Hazard	1
72890	Notice - Mast Retraction	1
72891	Label - Blue Arrow	2
82219	Label - Power Outlets Under Cover	1
82222	Caution - Light Storage, Standard Models	1
82223	Label - Light Storage, Standard Models	4
82224	Label - HOT	8
82237	Danger - High Voltage	1
82302	Notice - Perkins Engine Specs	1
82303	Label - Mast Release Latch	1
82304	Control Panel	1
82957	Label - Power Outlets Under Cover	1
97518	Notice - Lamp Disposal	2
97602	Warning - Explosion Hazard, Ether	2
97635	Warning - Bodily Injury Hazard	4
97637	Label - Wet Locations	1
97638	Label - Lamp Replacement	1
97661	Label - Grounding Rod Attachment	1
97767	Notice - Perkins Engine Specs, Tier II	1



Shading indicates decal is hidden from view, i.e. under covers



DECALS



# Specifications

---

## Model - TML-4000 Standard

---

Height, stowed	71 in 1.8 m
Length, stowed	14 ft 7 in 4.4 m
Width, stowed	70 in 1.8 m
Extended tower height	28 ft 8.5 m
Weight (Machine weights vary with option configurations)	See Serial Plate
Maximum tongue weight	145 lbs 66 kg
Tire size	ST185/80D13
Engine type	3 cylinder diesel, water cooled Deutz F3M 1008 OR Perkins 103-10
Fuel capacity	50 gallons 189 liters
Generator	6 kw
Total lighting wattage	4000 watts
Replacement bulbs	1000 watts Type BT-37 Metal Halide
Run time (full load with full fuel tank)	100 hours
Tower rotation	360 degrees, non-continuous
Maximum towing speed	60 mph 97 km/h
Maximum wind speed rating	60 mph 27 m/sec
Airborne Noise Emissions Maximum sound level at normal operating workstations (A-weighted)	71 dB

---



---

## Model - TML-4000 Narrow

---

Height, stowed	71 in 1.8 m
Length, stowed	14 ft 7 in 4.4 m
Width, stowed	55 in 1.4 m
Extended tower height	28 ft 8.5 m
Weight (Machine weights vary with option configurations)	See Serial Plate
Maximum tongue weight	110 lbs 50 kg
Tire size	ST185/80D13
Engine type	3 cylinder diesel, water cooled Deutz F3M1008 OR Perkins 103-10
Fuel capacity	30 gallons 114 liters
Generator	6 kw
Total lighting wattage	4000 watts
Replacement bulbs	1000 watts Type BT-37 Metal Halide
Run time (full load with full fuel tank)	60 hours
Tower rotation	360 degrees, non-continuous
Maximum towing speed	60 mph 97 km/h
Maximum wind speed rating	60 mph 27 m/sec
Airborne Noise Emissions Maximum sound level at normal operating workstations (A-weighted)	71 dB

---

Continuous improvement of our products is a Genie policy. Product specifications are subject to change without notice or obligation.

---

# Reporting Safety Defects

**Genie Industries**  
**PO Box 97030**  
**Redmond, WA 98073-9730**

## Reporting Safety Defects

If you believe that your vehicle has a defect which could cause a crash or could cause injury or death, you should immediately inform the National Highway Traffic Safety Administration (NHTSA) in addition to Genie Industries.

If NHTSA receives similar complaints, it may open an investigation, and if it finds that a safety defect exists in a group of vehicles, it may order a recall and remedy campaign. However, NHTSA cannot become involved in any individual problems between you, your dealer or Genie Industries.

To contact NHTSA you may either call the Auto Safety Hotline toll-free at 1-800-424-9393 (366-0123 in Washington DC area) or write to:

**NHTSA**  
**U.S. Department of Transportation**  
**400 7th Street SW, (NSA-11)**  
**Washington DC 20590**

You can also obtain information about motor vehicle safety from the Hotline.

# Towing Checklist

## Hitching

- Hitch is sufficient to tow trailer and load
- Hitch is properly attached to tow vehicle
- Safety chains (if required) are properly attached
- All tires have correct pressure
- All lights are connected and working

## Towing

- Do not exceed 60 mph / 97 km/h
- Check connections and tire pressure at each stop
- Slow down for hazardous conditions
- Allow extra distance for following and passing other vehicles

### Genie North America

**Phone** 425.881.1800  
**Toll Free** USA and Canada  
800.536.1800  
**Fax** 425.883.3475

### Genie Australia Pty Ltd.

**Phone** +61 7 3375 1660  
**Fax** +61 7 3375 1002

### Genie China

**Phone** +86 21 53852570  
**Fax** +86 21 53852569

### Genie Malaysia

**Phone** +65 98 480 775  
**Fax** +65 67 533 544

### Genie Japan

**Phone** +81 3 3453 6082  
**Fax** +81 3 3453 6083

### Genie Korea

**Phone** +82 25 587 267  
**Fax** +82 25 583 910

### Genie Brasil

**Phone** +55 11 41 665 755  
**Fax** +55 11 41 665 754

### Genie Holland

**Phone** +31 10 220 7911  
**Fax** +31 10 220 6642

### Genie Scandinavia

**Phone** +46 31 3409612  
**Fax** +46 31 3409613

### Genie France

**Phone** +33 (0)2 37 26 09 99  
**Fax** +33 (0)2 37 26 09 98

### Genie Iberica

**Phone** +34 93 579 5042  
**Fax** +34 93 579 5059

### Genie Germany

**Phone** +49 (0)4202 88520  
**Fax** +49 (0)4202 8852-20

### Genie U.K.

**Phone** +44 (0)1476 584333  
**Fax** +44 (0)1476 584334

### Genie Mexico City

**Phone** +52 55 5666 5242  
**Fax** +52 55 5666 3241

## California Proposition 65

# WARNING

The exhaust from this product contains chemicals known to the State of California to cause cancer, birth defects or other reproductive harm.

Distributed By:

## Free Manuals Download Website

<http://myh66.com>

<http://usermanuals.us>

<http://www.somanuals.com>

<http://www.4manuals.cc>

<http://www.manual-lib.com>

<http://www.404manual.com>

<http://www.luxmanual.com>

<http://aubethermostatmanual.com>

Golf course search by state

<http://golfingnear.com>

Email search by domain

<http://emailbydomain.com>

Auto manuals search

<http://auto.somanuals.com>

TV manuals search

<http://tv.somanuals.com>