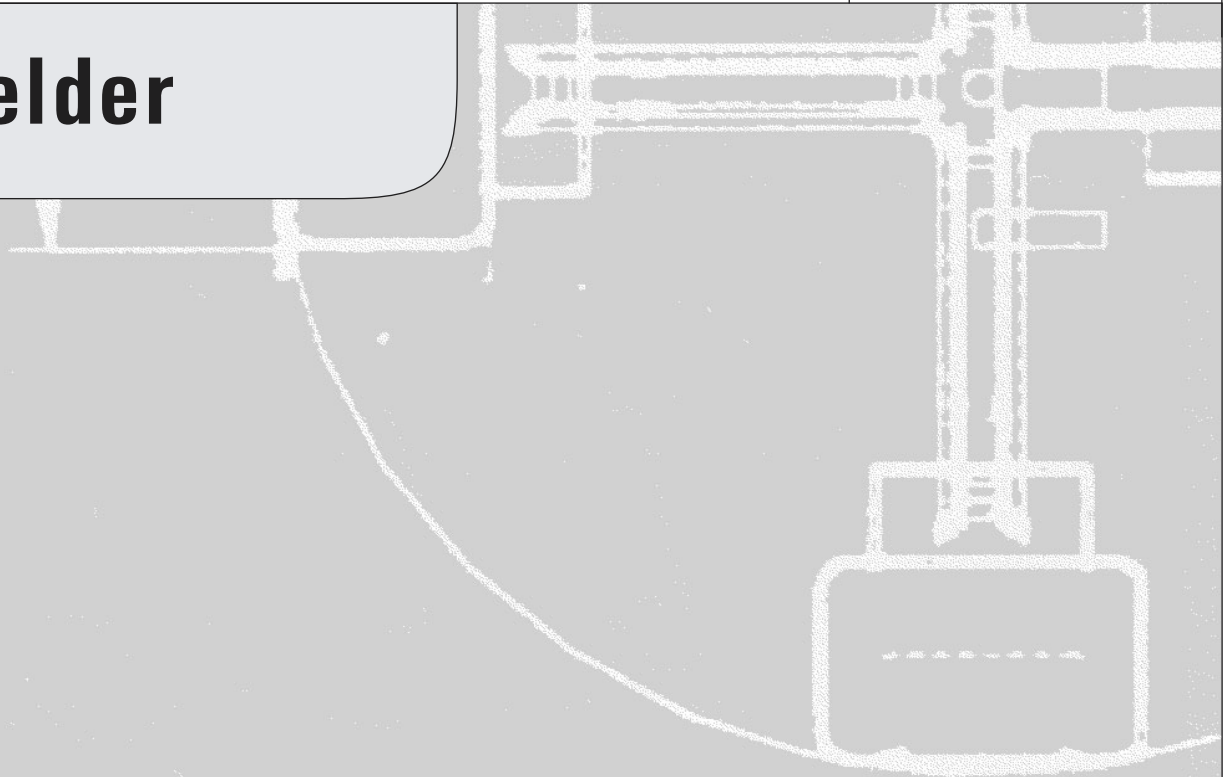


# Genie®

## Parts and Service Manual Supplement

Part No. 106730  
Rev A1  
April 2006

### Welder



## Technical Publications

Genie Industries has endeavored to deliver the highest degree of accuracy possible. However, continuous improvement of our products is a Genie policy. Therefore, product specifications are subject to change without notice.

Readers are encouraged to notify Genie of errors and send in suggestions for improvement. All communications will be carefully considered for future printings of this and all other manuals.

---

### Contact Us:


<http://www.genieindustries.com>  
e-mail: [techsup@genieind.com](mailto:techsup@genieind.com)

---

Copyright © 2004 by Genie Industries

106730 Rev A July 2004  
First Edition, First Printing

"Genie", "Z" and "S" are registered trademarks of Genie Industries in the USA and many other countries.

 Printed on recycled paper

Printed in U.S.A.

# Table of Contents

This manual is updated frequently. Each parts figure listed below has a figure number and a revision letter. If a figure is updated with new information, the revision letter or 'Rev' is updated (example: from Rev A to Rev B).

Figure	Rev	Description
101.1	B	Decals

If you have a printed manual, you can keep it up to date by downloading new figures from the Genie website.

To learn about the benefits Genie eBusiness customers receive, visit the Genie Industries website at [www.genieindustries.com](http://www.genieindustries.com) and select Parts & Service.

### Electronic Version

Click on the figure description below to view the figure.

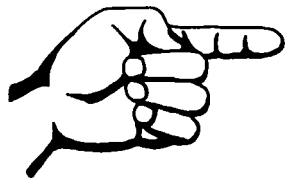
### Safety Rules

#### 100 • Parts

101.1	A	S-40 and S-45 Chassis Components, Engine Side
102.1	A	S-60 and S-65 Chassis Components
103.1	A	Z-60 Chassis Components
104.1	A	S-80, S-85 and Z-80 Chassis Components
105.1	B	Platform Components, all Models

#### 200 • Schematics and Hose Drawings

201.1	A	Electrical Schematic
202.1	A	S-60 and S-65 Hoses and Fittings
203.1	A	S-40 and S-45 Hoses and Fittings
204.1	A	S-80 and S-85 Hoses and Fittings
205.1	A	Z-60/34 Hoses and Fittings
206.1	A	Z-80/60 Hoses and Fittings
207.1	A	Hydraulic Hose and Fitting Cross-reference



This page intentionally left blank.



**Danger**

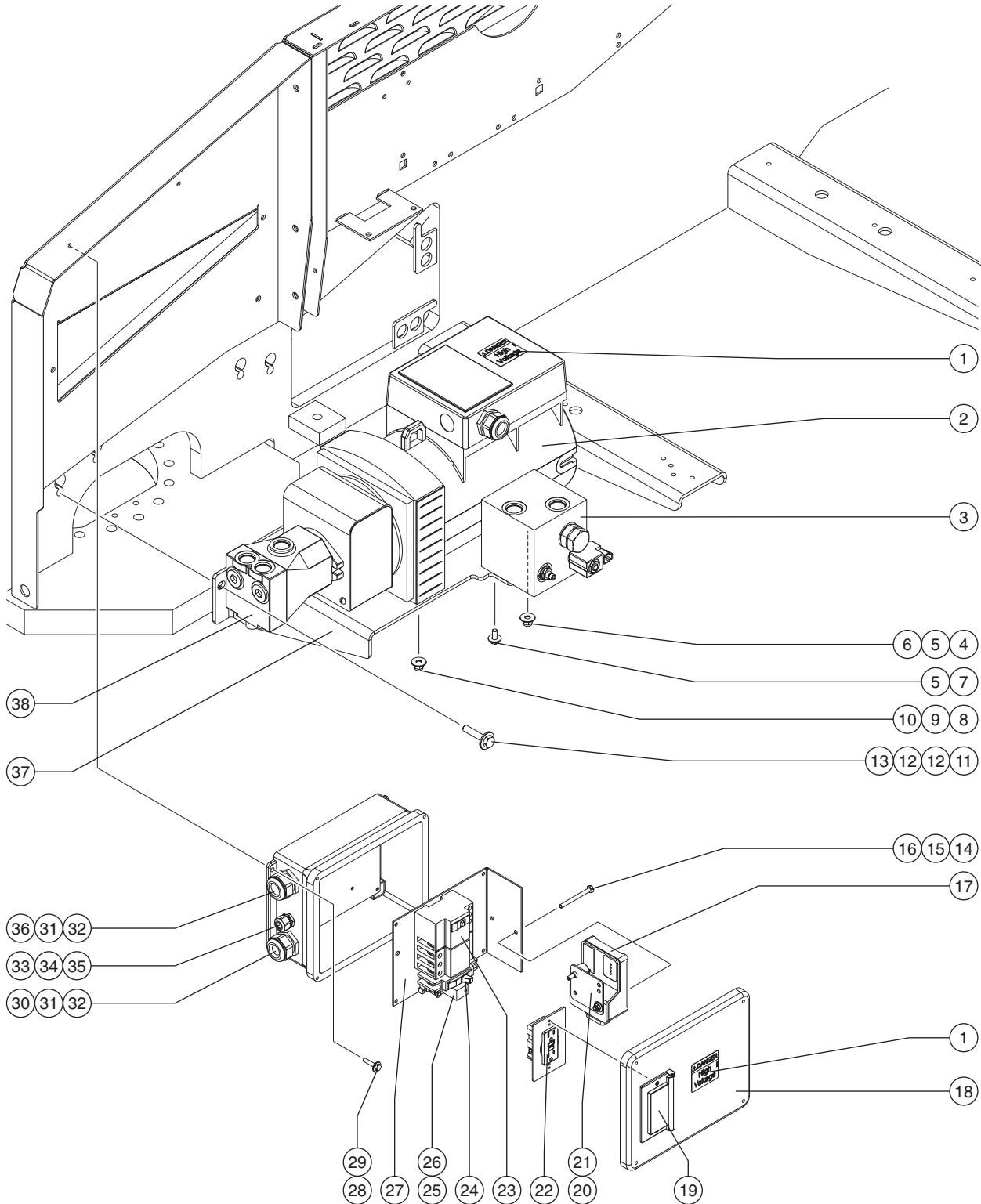
Failure to obey the instructions and safety rules in the *Lincoln Electric Invertec™ V275-S Operator's Manual* will result in death or serious injury.

Many of the hazards identified in the operator's manual are also safety hazards when maintenance and repair procedures are performed.

**Do Not Perform Maintenance Unless:**

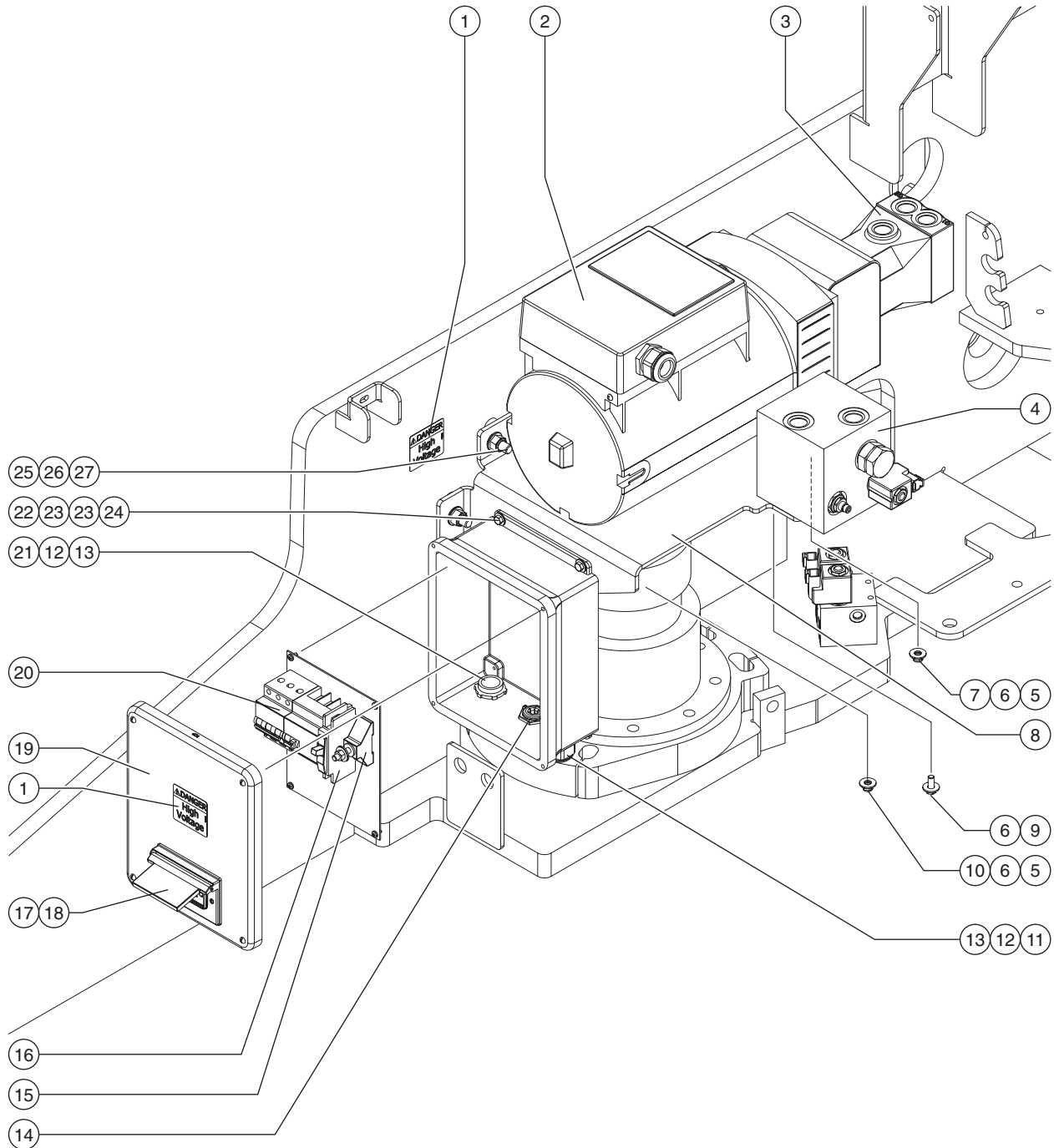
- You are trained and qualified to perform maintenance on this machine.
- You read, understand and obey:
  - manufacturer's instructions and safety rules
  - employer's safety rules and worksite regulations
  - applicable governmental regulations
- You have the appropriate tools, lifting equipment and a suitable workshop.

**Figure** 101.1      **Rev** A      **Description** S-40 and S-45 Chassis Components, Engine Side



Item	Part No.	Description	Qty.	Item	Part No.	Description	Qty.
1	82237	Decal - Danger, High Voltage .....	2	24	106073	Circuit Breaker, 20A, Single Phase .....	1
2	106113	Hydraulic Generator Assembly (includes item 38) .....	1	25	33607	Relay, 12V DC, DPDT .....	1
—	106274	Generator, 12.5 kW		26	33608	Relay Socket .....	1
3	101516	Oil Diverter Manifold .....	1	27	102314	Enclosure Panel .....	1
—	94757	Check Valve, 3 psi / 0.2 bar		28	6090	Screw - HHC, 1/4 -20 x 0.75 inches, GR 5	
—	94760	Solenoid Valve, 10V DC		29	6889	Low Profile Nylock Nut, 1/4 -20	
—	94765	Coil, 10V DC		30	106077	Squeeze Connector, 0.63 - 0.75 inch .....	1
—	94759	Solenoid Nut		31	18665	Electric Locknut, 1inch NPT .....	2
—	101446	Relief Valve, 250 psi / 17.2 bar		32	106104	O-ring, 1inch NPT .....	2
—	101412	Pilot Operated Valve		33	7056	Squeeze Connector, 0.38 - 0.5 inch .....	1
—	106394	Orifice Disc, 0.030inch / 0.76 mm		34	6938	Electrick Locknut, 1/2 inch NPT ....	1
4	6782	Nylock Nut, 5/16 -18		35	56237	O-ring, #12 .....	1
5	5397	Flat Washer, 5/16 inch		36	20776	Squeeze Connector .....	1
6	13002	Screw - HHC, 5/16 -18 x 1 inch, GR 5		37	102340	Generator Bracket .....	1
7	10107	Screw - HHC, 5/16 -18 x 0.75 inch, GR 5		38	106184	Hydraulic Motor, 21cc .....	1
8	4828	Nylock Nut, 3/8 -16		<b>The following components are located in the ground control box:</b>			
9	6097	Flat Washer, 3/8 inch		—	74911	Terminal Block .....	1
10	8516	Screw - HHC, 3/8 -16 x 1.5 inches, GR 5		—	106140	Potentiometer Bracket .....	1
11	9145	Screw - HHC, 1/2 -13 x 2.5 inches, GR 5		—	101995	1000 Ohm, 10 Turn Potentiometer .....	1
12	13066	Flat Washer, 1/2 inch		—	106657	Control Module, High Amp .....	1
13	6198	Nylock Nut, 1/2 -13		—	106637	Time Delay Module .....	1
14	36294	Screw - HHC, 1/4 -20 x 2.75 inches, GR 5		—	33607	Relay, 12V DC, DPDT .....	1
15	6638	Flat Washer, 1/4 inch		—	33608	Relay Socket .....	1
16	6091	Nylock Nut, 1/4 -20					
17	106205	Welder Control Module .....	1				
18	102319	Enclosure Assembly (includes items 14-17, 19-27 and 30-36) ....	1				
19	74006	Weatherproof Outlet Cover (includes mounting hardware) .....	1				
20	106140	Potentiometer Bracket .....	1				
21	101995	Potentiometer Resistor, 1k Ohm, 2 watt .....	1				
22	80543	GFCI Outlet, 110V AC .....	1				
23	106477	GFI/Circuit Breaker Assembly .....	1				

Figure	Rev	Description
102.1	A	S-60 and S-65 Chassis Components



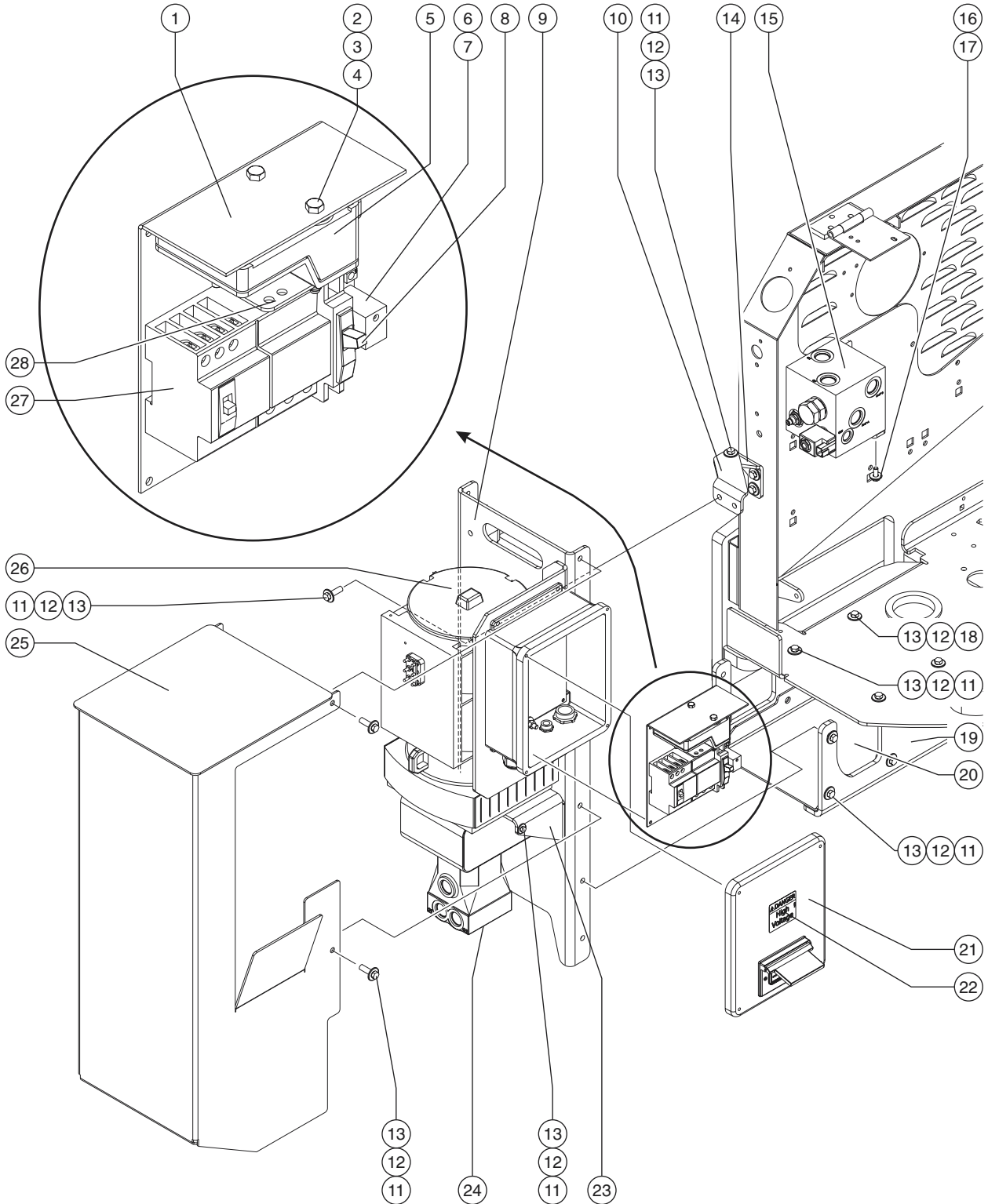


Item	Part No.	Description	Qty.	Item	Part No.	Description	Qty.
1	82237	Decal - Danger, High Voltage .....	2	22	6888	Screw - HHC, 1/4 -20 x 1 inch, GR 5	
2	106113	Hydraulic Generator Assembly (includes item 3) .....	1	23	6638	Flat Washer, 1/4 inch	
—	106274	Generator, 12.5 kW		24	6091	Nylock Nut, 1/4 -20	
3	106184	Hydraulic Motor, 21cc .....	1	25	9145	Screw - HHC, 1/2 -13 x 2.5 inches, GR 5	
4	101516	Oil Diverter Manifold .....	1	26	6198	Nylock Nut, 1/2 -13	
—	94757	Check Valve, 3 psi / 0.2 bar		27	13066	Flat Washer, 1/2 inch	
—	94760	Solenoid Valve, 10V DC					
—	94765	Coil, 10V DC					
—	94759	Solenoid Nut					
—	101446	Relief Valve, 250 psi / 17.2 bar					
—	101412	Pilot Operated Valve					
—	106394	Orifice Disc, 0.030inch / 0.76 mm					
5	6782	Nylock Nut, 5/16 -18					
6	5397	Flat Washer, 5/16 inch					
7	13000	Screw - HHC, 5/16 -18 x 1.25 inch, GR 5					
8	106114	Generator Tray .....	1				
9	10107	Screw - HHC, 5/16 -18 x 0.75 inch, GR 5					
10	13002	Screw - HHC, 5/16 -18 x 1 inch, GR 5					
11	20776	Squeeze Connector .....	1				
12	18665	Electric Locknut, 1 inch, NPT .....	2				
13	106104	O-ring, 1inch NPT .....	1				
14	106495	Hubble Plug, 1/2 inch .....	1				
15	106108	Stud Terminal, 250V DC .....	1				
—	6037	Hex Nut, 5/16 -18					
—	5397	Flat Washer, 5/16 inch					
16	106073	Circuit Breaker, 20A, Single Phase .....	1				
17	74006	Weatherproof Outlet Cover (includes mounting hardware) .....	1				
18	80543	GFCI Outlet, 120V AC, 20A .....	1				
19	101947	Enclosure Assembly (includes items 11-18, 20 and 21) .....	1				
20	106477	GFI/Circuit Breaker Assembly .....	1				
—	106374	Circuit Breaker, 50A, 3 phase					
—	106375	GFCI, 50A, 3 phase					
21	106077	Squeeze Connector, 0.63 - 0.75 inch .....	1				

**The following components are located in the ground control box:**

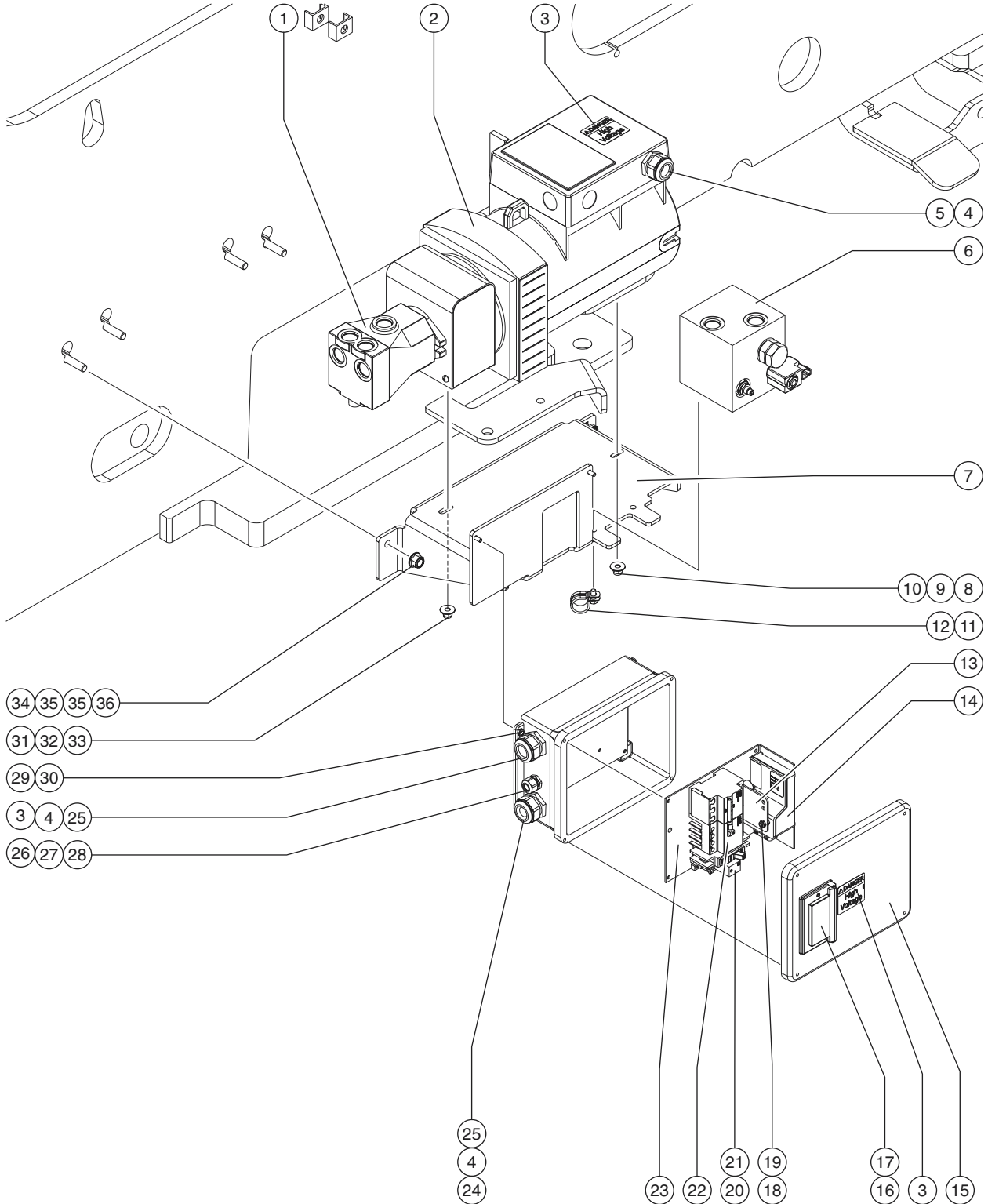
—	74911	Terminal Block .....	1
—	106140	Potentiometer Bracket .....	1
—	101995	1000 Ohm, 10 Turn Potentiometer .....	1
—	106657	Control Module, High Amp .....	1
—	106637	Time Delay Module .....	1
—	33607	Relay, 12V DC, DPDT .....	1
—	33608	Relay Socket .....	1

**Figure** 103.1  
**Rev** A  
**Description** Z-60 Chassis Components



Item	Part No.	Description	Qty.	Item	Part No.	Description	Qty.
1	102314	Enclosure Panel .....	1	23	106415	Generator Mount Bracket, Bottom .....	1
2	36294	Screw - HHC, 1/4 -20 x 2.75 inches, GR 5		24	106184	Hydraulic Motor, 21cc .....	1
3	6638	Flat Washer, 1/4 inch		25	106479	Generator Cover .....	1
4	6091	Nylock Nut, 1/4 - 20		26	106113	Hydraulic Generator Assembly (includes item 24) .....	1
5	106205	SX Controller Module .....	1	—	106274	Generator, 12.5 kW	
6	33607	Relay, 12V DC, DPDT .....	1	27	106477	GFI/Circuit Breaker Assembly .....	1
7	33608	Relay Socket .....	1	—	106374	Circuit Breaker, 50A, 3 phase	
8	106073	Circuit Breaker, 20A, Single Phase .....	1	—	106375	GFCI, 50A, 3 phase	
9	106442	Generator Mount Bracket, Back ...	1	28	106140	Potentiometer Bracket .....	1
10	106587	Gusset .....	1	—	101995	Potentiometer, 1k Ohm, 2 Watt	
11	6019	Screw - HHC, 3/8 -16 x 1.25 inches, GR 5					
12	6097	Flat Washer, 3/8 inch					
13	4828	Nylock Nut, 3/8 -16					
14	106558	Gusset .....	1				
15	101516	Oil Diverter Manifold .....	1				
—	94757	Check Valve, 3 psi / 0.2 bar					
—	94760	Solenoid Valve, 10V DC					
—	94765	Coil, 10V DC					
—	94759	Solenoid Nut					
—	101446	Relief Valve, 250 psi / 17.2 bar					
—	101412	Pilot Operated Valve					
—	106394	Orifice Disc, 0.030inch / 0.76 mm					
16	10107	Screw - HHC, 5/16 -18 x 0.75 inch, GR 5					
17	6886	Lock Washer, 5/16 inch					
18	57072	Screw - BHHS, 3/8 -16 x 1.25 inches, GR 5					
19	106416	Generator Base Bracket, outboard side .....	1				
—	106417	Generator Base Bracket, inboard side					
20	106655	Hose Tray .....	1				
21	102319	Enclosure Assembly (includes items 1-8, 22 and 27-28) .....	1				
22	82237	Decal - Danger, High Voltage .....	1				

**Figure** 104.1      **Rev** A      **Description** S-80, S-85 and Z-80 Chassis Components

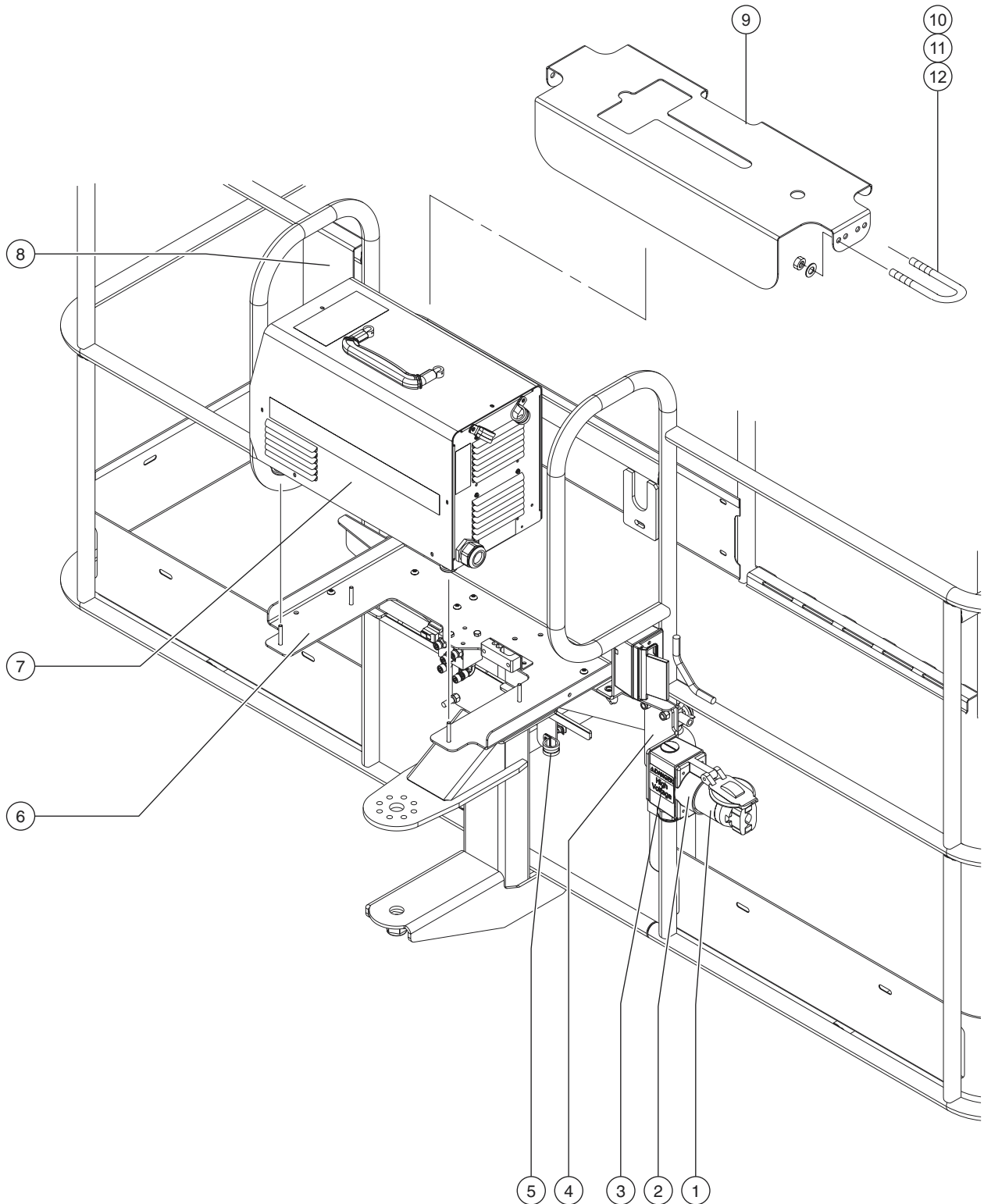


Item	Part No.	Description	Qty.	Item	Part No.	Description	Qty.
1	106184	Hydraulic Motor, 21cc .....	1	24	106077	Squeeze Connector, 0.63 - 0.75 inch .....	1
2	106113	Hydraulic Generator Assembly (includes item 1) .....	1	25	106104	O-ring, 1inch NPT .....	2
—	106274	Generator, 12.5 kW		26	7056	Squeeze Connector, 0.38 - 0.5 inch .....	1
3	82237	Decal - Danger, High Voltage .....	2	27	6938	Electrick Locknut, 1/2 inch NPT ....	1
4	20776	Squeeze Connector .....	1	28	56237	O-ring, #12 .....	1
5	18665	Electric Locknut, 1 inch, NPT .....	3	29	6889	Low-profile Nylock Nut, 1/4 -20	
6	101516	Oil Diverter Manifold .....	1	30	6090	Screw - HHC, 1/4 -20 x 0.75 inch, GR 5	
—	94757	Check Valve, 3 psi / 0.2 bar		31	4828	Nylock Nut, 3/8 -16	
—	94760	Solenoid Valve, 10V DC		32	6097	Flat Washer, 3/8 inch	
—	94765	Coil, 10V DC		33	8516	Screw - HHC, 3/8 -16 x 1.5 inches, GR 5	
—	94759	Solenoid Nut		34	6198	Nylock Nut, 1/2 -13	
—	101446	Relief Valve, 250 psi / 17.2 bar		35	13066	Flat Washer, 1/2 inch	
—	101412	Pilot Operated Valve		36	39479	Screw - HHC, 1/2 -13 x 2.75 inches, GR 5	
—	106394	Orifice Disc, 0.030inch / 0.76 mm					
7	102276	Generator Tray .....	1				
8	6782	Nylock Nut, 5/16 -18					
9	5397	Flat Washer, 5/16 inch					
10	13002	Screw - HHC, 5/16 -18 x 1 inch, GR 5					
11	49863	Hose Clamp .....	1				
12	10107	Screw - HHC, 5/16 -18 x 0.75 inch, GR 5					
13	106140	Potentiometer Bracket .....	1				
14	106205	Control Module, Low Amp .....	1				
15	102319	Enclosure Assembly (includes items 3-4, 12, 13, and 15-28) .....	1				
16	74006	Weatherproof Outlet Cover (includes mounting hardware) .....	1				
17	13585	GFCI Outlet, 110V AC .....	1				
18	36294	Screw - HHC, 1/4 -20 x 2.75 inches, GR 5					
19	6889	Nylock Nut, 1/4 -20					
20	33607	Relay, 12V DC, DPDT .....	1				
21	33608	Relay Socket .....	1				
22	106477	GFI/Circuit Breaker Assembly .....	1				
—	106374	Circuit Breaker, 50A, 3 phase					
—	106375	GFCI, 50A, 3 phase					
23	102314	Enclosure Panel .....	1				

**The following components are located in the ground control box:**

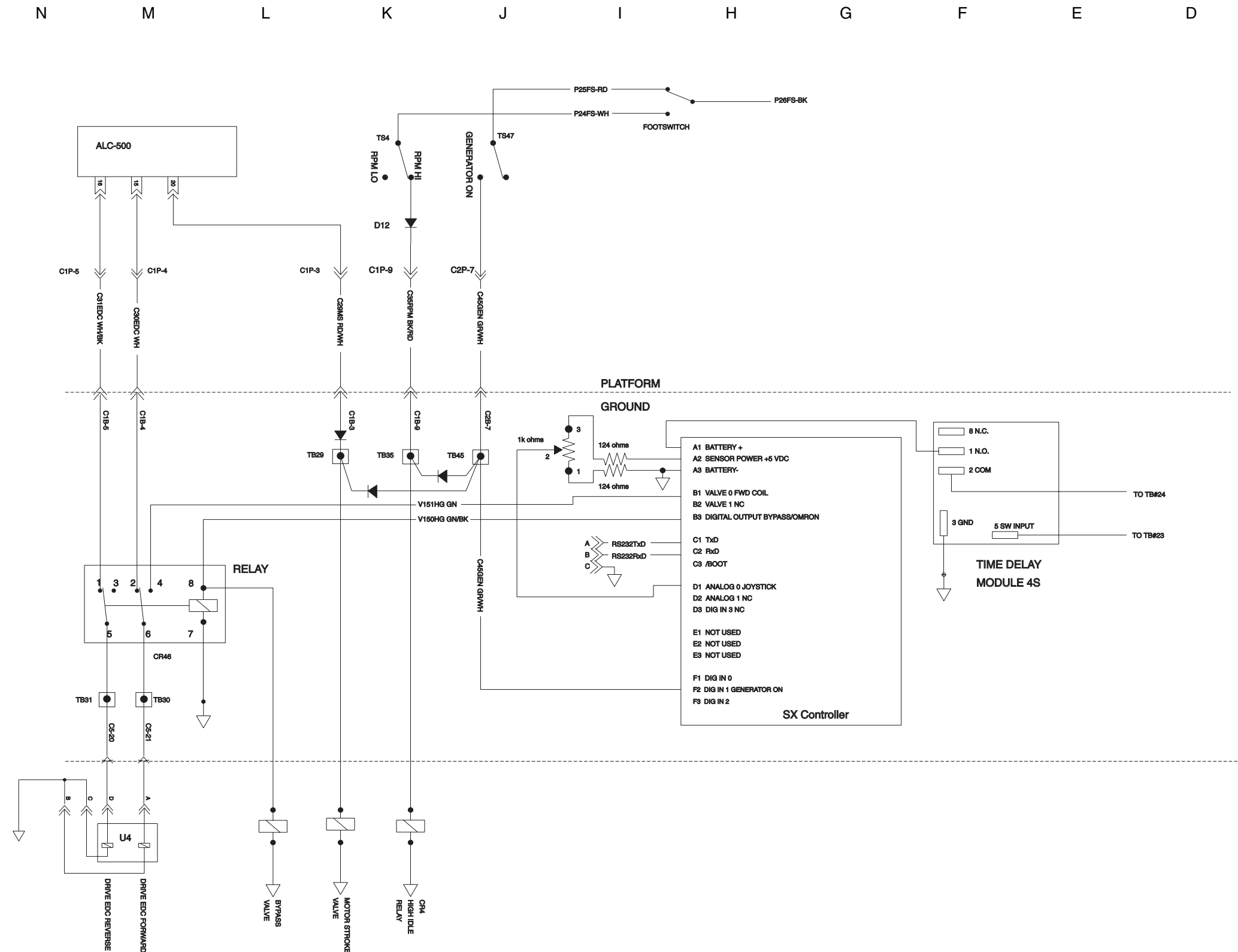
—	74911	Terminal Block .....	1
—	106140	Potentiometer Bracket .....	1
—	101995	1000 Ohm, 10 Turn Potentiometer .....	1
—	106657	Control Module, High Amp .....	1
—	106637	Time Delay Module .....	1
—	33607	Relay, 12V DC, DPDT .....	1
—	33608	Relay Socket .....	1

Figure	Rev	Description
105.1	B	Platform Components, all Models



Item	Part No.	Description	Qty.
—	88406	Fire Extinguisher	
—	82862	Decal - Fire Extinguisher	
—	97579	Decal - Danger, Tip-over (located on Decal Plate)	
—	32728	Decal, Generator (located on Platform Control Panel)	
1	106112	Plug, 4 Wire, 3-Phase, 50A .....	1
2	106111	Locking Receptacle, 3-Phase, 50A .....	1
—	106110	T-Box, 3-Phase	
—	101732	Weatherproof Cover	
3	82237	Decal - Danger, High Voltage .....	2
4	101731P	Receptacle Bracket .....	1
—	4828	Nylock Nut, $\frac{3}{8}$ -16	
—	5397	Flat Washer, $\frac{3}{8}$ inch	
—	106044	U-Bolt, $\frac{3}{8}$ -16 x 4	
5	18666	Rubber Cushioned Clamp, 1 inch .....	3
6	106109	Welder Mount .....	1
—	101701	Welder Mount Support .....	1
—	106044	U-Bolt, $\frac{3}{8}$ -16 x 4	
—	4828	Nylock Nut, $\frac{3}{8}$ -16	
—	5397	Flat Washer, $\frac{3}{8}$ inch	
—	106043	Security Screw, $\frac{5}{16}$ -18 x 1 inch	
—	6782	Nylock Nut, $\frac{5}{16}$ -18	
7	101525	Welder, Invertec .....	1
—	106275	Welder Leads Assembly (includes both cables)	
—	106183	Fuse, 6A, 250V	
—	106141	Security Screw, $\frac{1}{4}$ -20 x 1.75 inches (mounting fasteners)	
8	106204	Welder Leads Bracket .....	1
9	101547P	Welder Support Bracket .....	1
10	6550	U-Bolt, $\frac{3}{8}$ -16 x 1.5 inches .....	2
11	5397	Flat Washer, $\frac{3}{8}$ inch	
12	4828	Nylock Nut, $\frac{3}{8}$ -16	

# Electrical Schematic



### Theory of Operation

- Turning on the Generator supplies current to the high idle relay through the diode switching the engine to high RPM. In addition the diode between TB45 and TB29 supplies power to the motor stroke valve switching the motors to high speed/low torque mode.
- The SX controller is turned ON supplying power to bypass valve and the change over relay. The EDC valve is switched over to the output of the SX controller.
- When the AC generator is turned OFF the SX module will ramp the output to the EDC to threshold preventing cavitation to the hydraulic motor powering the generator. When threshold is reached the bypass valve is turned OFF.
- The time delay module keeps the SX controller ON for four additional seconds after the ESTOP is pressed allowing for a controlled ramp down of the generator.

### Adjustments

- Connect a digital multimeter (DMM) with a frequency counter to the 110 vac outlet. Adjust the potentiometer until a frequency of 66.5 HZ is obtained with no load on the generator.

### Modification note

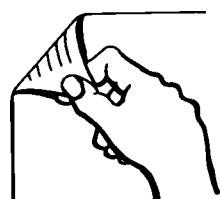
Replace two position terminal strip #45 and use 74911 four position terminal strip in its place. Use the name plate from the old two position terminal.

Add three Genie P/N 45762 6 amp 200 PIV diodes in the position shown in the schematic.



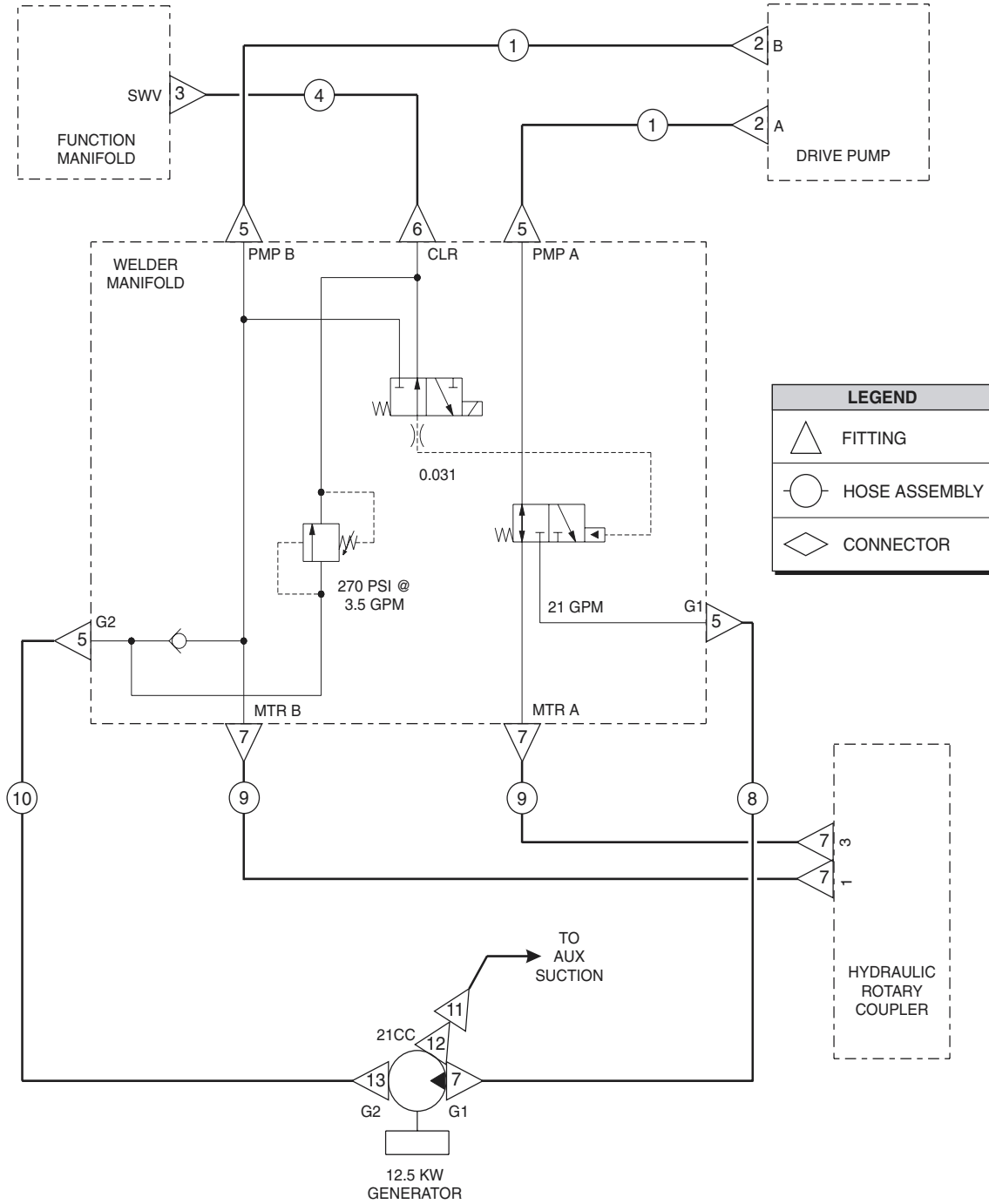
---

Figure	Rev	Description
201.1	A	Electrical Schematic





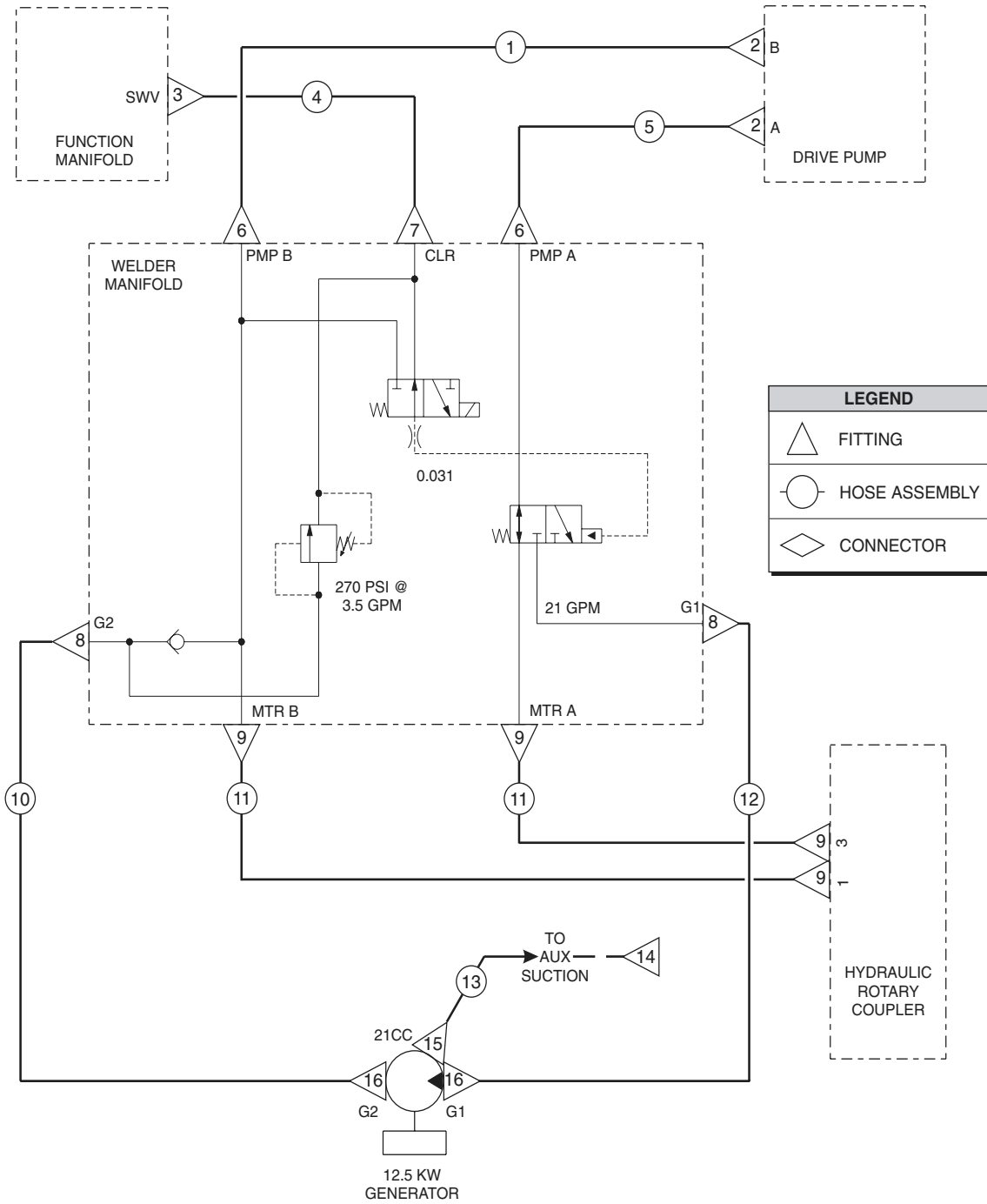
**Figure** 202.1      **Rev** A      **Description** S-60 and S-65 Hoses and Fittings



Item	Part No.	Description	Qty.
1	89871-4048	Hose Assembly - Components: Genie part numbers 48841, 48841 and 94358 @ 38 inches ...	2
2	48977	Fitting .....	2
3	48948	Fitting .....	1
4	49183-8492	Hose Assembly - Components: Genie part numbers 48822, 48822 and 48756 @ 83 inches ...	1
5	48963	Fitting .....	4
6	48933	Fitting .....	1
7	48960	Fitting .....	5
8	61072-2443	Hose Assembly - Components: Genie part numbers 48841, 48845 and 48762 @ 21 inches ...	1
9	94374-6030	Hose Assembly - Components: Genie part numbers 48841, 48846 and 94358 @ 57 inches ...	2
10	61072-2543	Hose Assembly - Components: Genie part numbers 48841, 48845 and 48762 @ 22 inches ...	1
11	48941	Fitting .....	1
12	48948	Fitting .....	1
13	61610	Fitting .....	1

**The length listed in the component description is the length of the hose only. Refer to 207.1 to cross-reference Genie part numbers to Parker part numbers.**

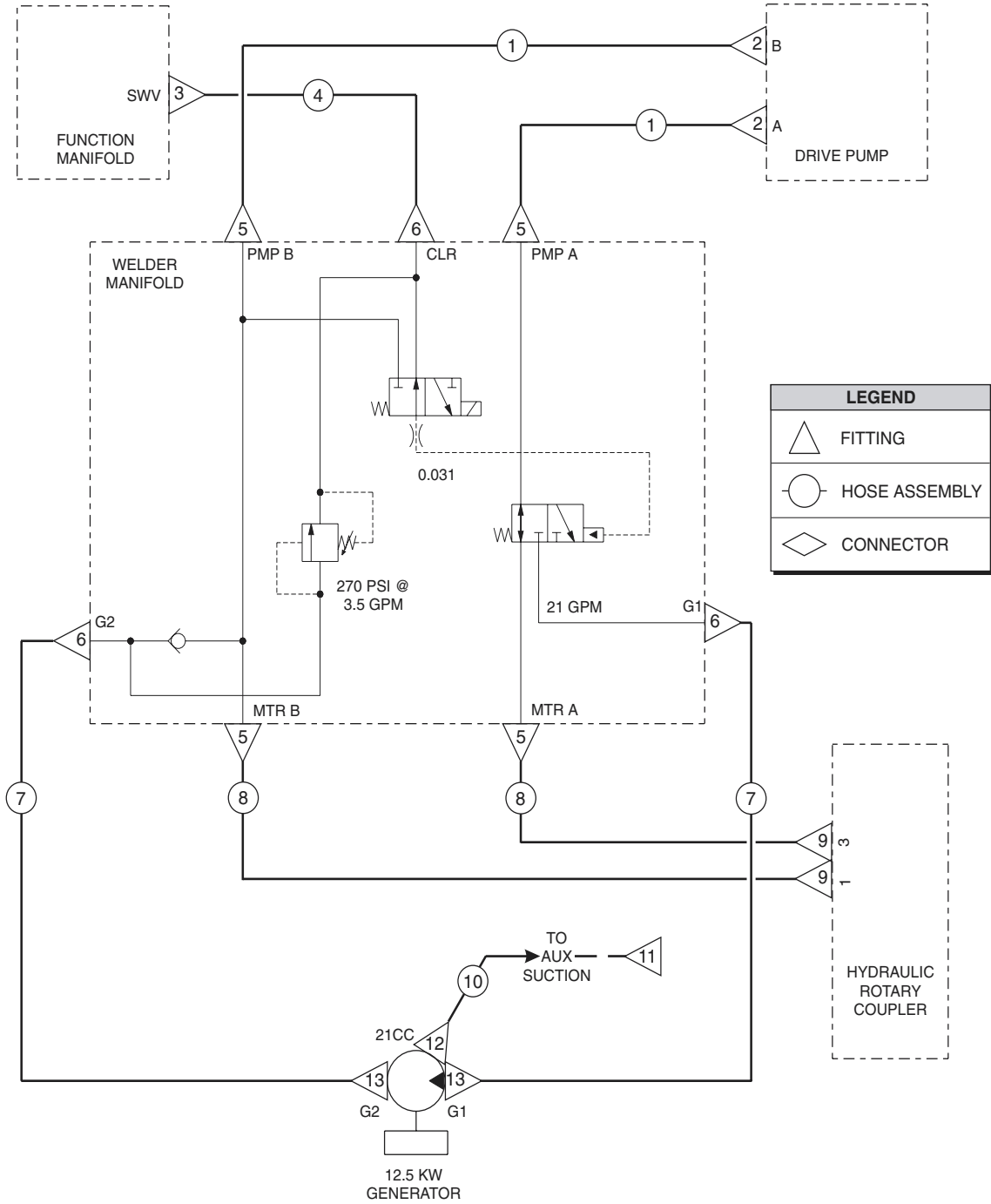
**Figure** 203.1      **Rev** A      **Description** S-40 and S-45 Hoses and Fittings



Item	Part No.	Description	Qty.
1	102313-2726	Hose Assembly - Components: Genie part numbers 48841, 48845 and 94358 @ 24 inches ...	1
2	48977	Fitting .....	2
3	67371	Fitting .....	1
4	31070-3750	Hose Assembly - Components: Genie part numbers 48827, 48836 and 48756 @ 35 inches ...	1
5	102313-2926	Hose Assembly - Components: Genie part numbers 48841, 48845 and 94358 @ 26 inches ...	1
6	48959	Fitting .....	2
7	48933	Fitting .....	1
8	48963	Fitting .....	2
9	48960	Fitting .....	4
10	102312-2088	Hose Assembly - Components: Genie part numbers 48841, 102311 and 94358 @ 18 inches .....	1
11	94374-5030	Hose Assembly - Components: Genie part numbers 48841, 48846 and 94358 @ 48 inches ...	2
12	102312-2388	Hose Assembly - Components: Genie part numbers 48841, 102311 and 94358 @ 21 inches .....	1
13	49143-7529	Hose Assembly - Components: Genie part numbers 48822, 48827 and 48756 @ 73 inches ...	1
14	48938	Fitting .....	1
15	48948	Fitting .....	1
16	48958	Fitting .....	2

**The length listed in the component description is the length of the hose only. Refer to 207.1 to cross-reference Genie part numbers to Parker part numbers.**

**Figure** 204.1      **Rev** A      **Description** S-80 and S-85 Hoses and Fittings

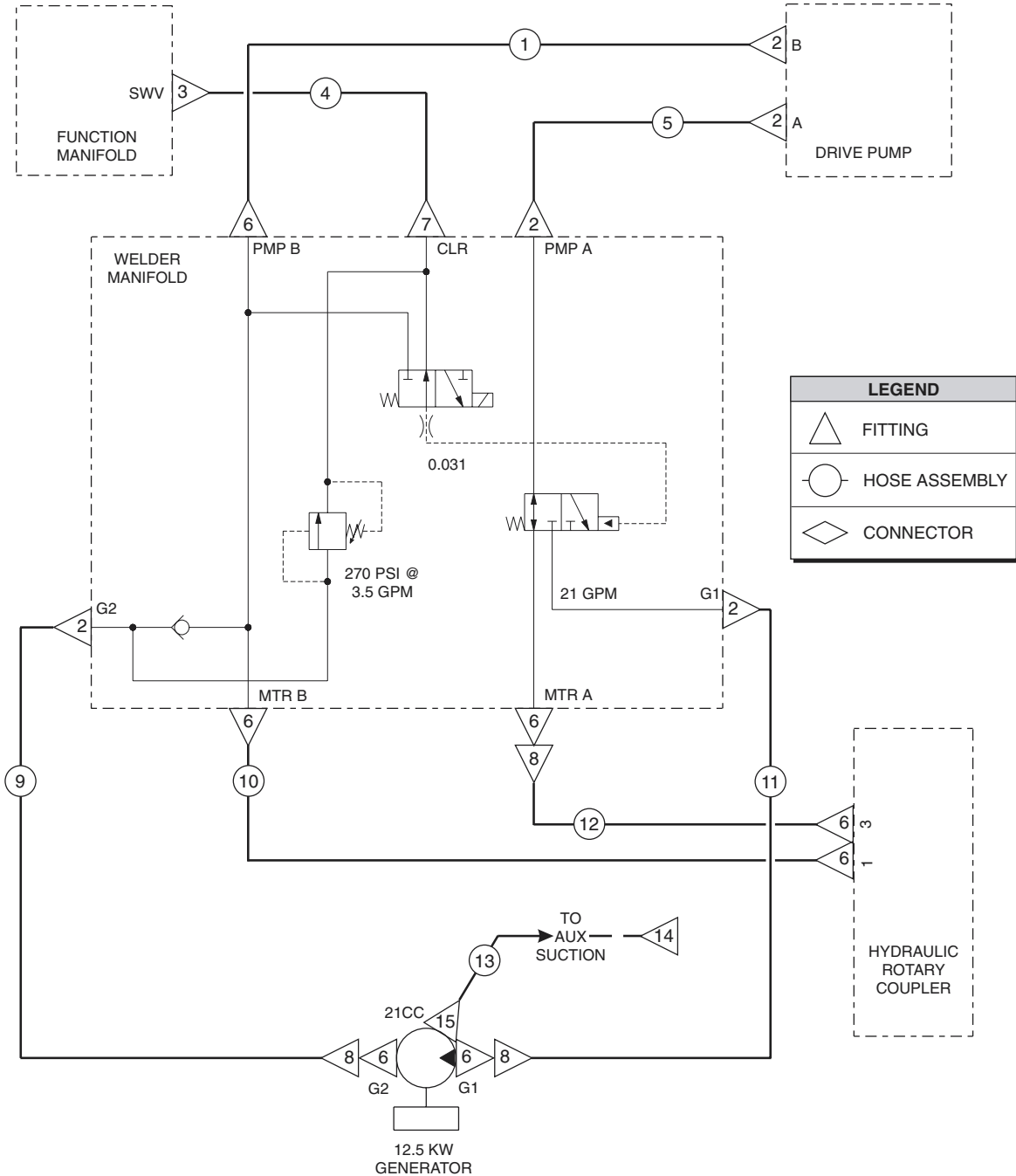


Item	Part No.	Description	Qty.
1	102313-3126	Hose Assembly - Components: Genie part numbers 48841, 48851 and 94358 @ 28 inches ...	2
2	48978	Fitting (before serial no. 3804) .....	2
—	48976	Fitting (after serial no. 3803)	
3	48961	Fitting .....	1
4	61070-8652	Hose Assembly - Components: Genie part numbers 48827, 48836 and 48756 @ 84 inches ...	1
5	48960	Fitting .....	4
6	48933	Fitting .....	1
7	102312-2088	Hose Assembly - Components: Genie part numbers 48841, 102311 and 94358 @ 18 inches .....	2
8	49156-3956	Hose Assembly - Components: Genie part numbers 48849, 48853 and 48763 @ 36 inches ...	2
9	48963	Fitting (before serial no. 3804) .....	2
—	48960	Fitting (after serial no. 3803)	
10	49164-4743	Hose Assembly - Components: Genie part numbers 48800, 48818 and 48751 @ 45 inches ...	1
11	48908	Fitting .....	1
12	48948	Fitting .....	1
13	48958	Fitting .....	2

**The length listed in the component description is the length of the hose only. Refer to 207.1 to cross-reference Genie part numbers to Parker part numbers.**



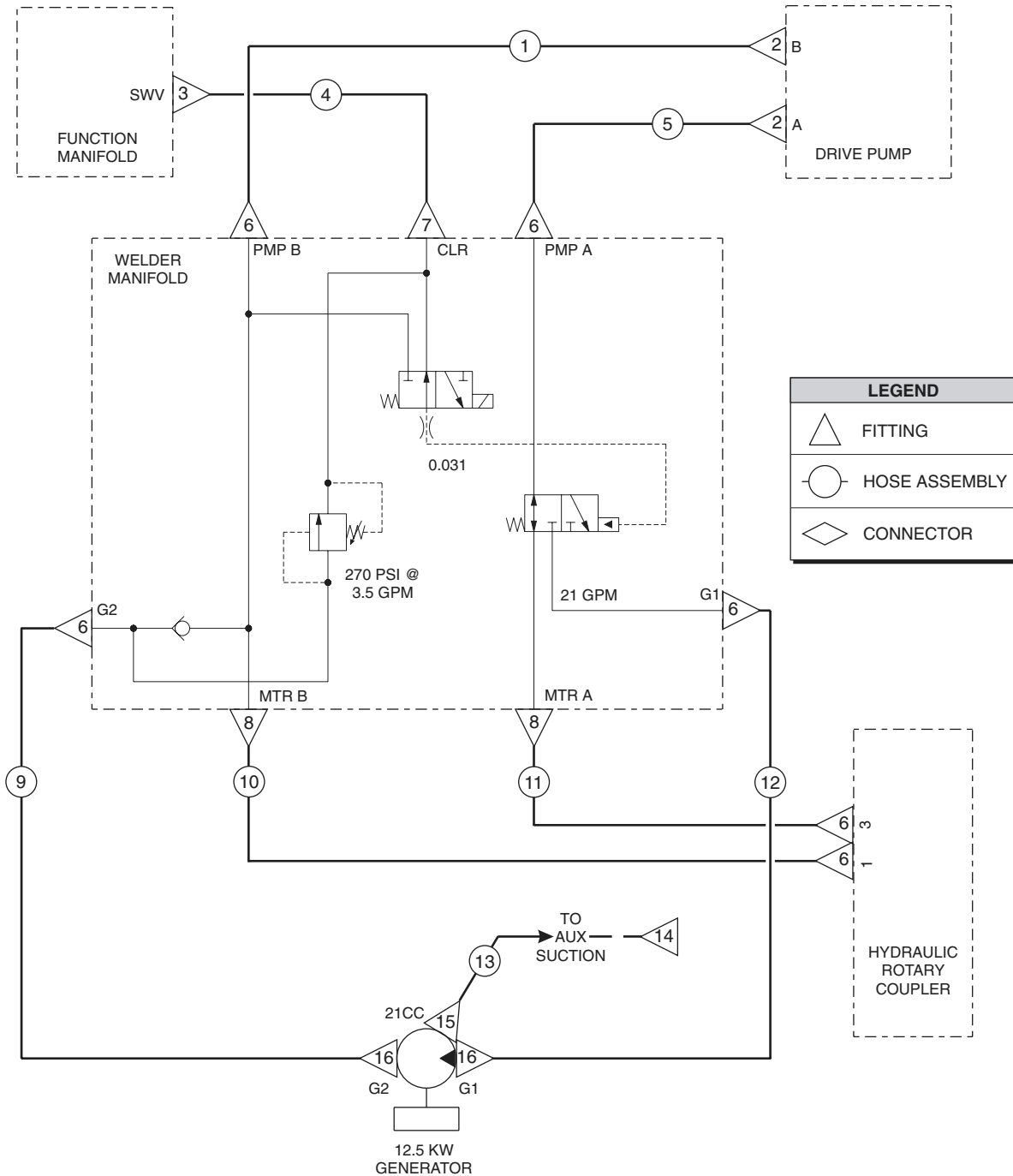
**Figure** 205.1      **Rev** A      **Description** Z-60/34 Hoses and Fittings



Item	Part No.	Description	Qty.
1	94374-4830	Hose Assembly - Components: Genie part numbers 48841, 48846 and 94358 @ 44 inches ...	1
2	48959	Fitting .....	5
3	48964	Fitting .....	1
4	49142-13762	Hose Assembly - Components: Genie part numbers 48842, 48839 and 48756 @ 135 inches .....	1
5	89871-4848	Hose Assembly - Components: Genie part numbers 48841, 48841 and 94358 @ 46 inches ...	1
6	48960	Fitting .....	7
7	48933	Fitting .....	1
8	61262	Fitting .....	3
9	106665-4929	Hose Assembly - Components: Genie part numbers 48841, 48843 and 94358 @ 46 inches ...	1
10	89581-5030	Hose Assembly - Components: Genie part numbers 48841, 48846 and 48763 @ 47 inches ...	1
11	106665-5229	Hose Assembly - Components: Genie part numbers 48841, 48843 and 94358 @ 49 inches ...	1
12	94374-4930	Hose Assembly - Components: Genie part numbers 48841, 48846 and 94358 @ 46 inches ...	1
13	106666-8446	Hose Assembly - Components: Genie part numbers 48810, 48818 and 48751 @ 82 inches ...	1
14	48875	Fitting .....	1
15	48948	Fitting .....	1

**The length listed in the component description is the length of the hose only. Refer to 207.1 to cross-reference Genie part numbers to Parker part numbers.**

**Figure** 206.1      **Rev** A      **Description** Z-80/60 Hoses and Fittings



Item	Part No.	Description	Qty.
1	49156-3556	Hose Assembly - Components: Genie part numbers 48849, 48853 and 48763 @ 32 inches ...	1
2	48978	Fitting .....	2
3	48964	Fitting .....	1
4	102355-6650	Hose Assembly - Components: Genie part numbers 48826, 48836 and 48756 @ 64 inches ...	1
5	49156-3756	Hose Assembly - Components: Genie part numbers 48849, 48853 and 48763 @ 34 inches ...	1
6	48963	Fitting .....	6
7	48933	Fitting .....	1
8	48960	Fitting .....	2
9	102312-2088	Hose Assembly - Components: Genie part numbers 48841, 102311 and 94358 @ 18 inches .....	1
10	94374-4030	Hose Assembly - Components: Genie part numbers 48841, 48846 and 94358 @ 37 inches ...	1
11	94374-3730	Hose Assembly - Components: Genie part numbers 48841, 48846 and 94358 @ 34 inches ...	1
12	102312-2388	Hose Assembly - Components: Genie part numbers 48841, 102311 and 94358 @ 21 inches .....	1
13	49143-11229	Hose Assembly - Components: Genie part numbers 48822, 48827 and 48756 @ 110 inches .....	1
14	48935	Fitting .....	1
15	48958	Fitting .....	2

**The length listed in the component description is the length of the hose only. Refer to 207.1 to cross-reference Genie part numbers to Parker part numbers.**

**Figure** 207.1      **Rev** A      **Description** Hydraulic Hose and Fitting Cross-reference

Genie PN	Parker PN	Description	Genie PN	Parker PN	Description
12342	6-4 F5OX-S	CONNECTOR,STRAIGHT THREAD TO FLARE TUBE	42794	1 CR-S	ELBOW,90°,MALE PIPE
13757	4 R6X-S	RUN TEE,SWIVEL NUT,ORFS	42795	BV-0839	BALL VALVE
19685	12-10 C5OX-S	ELBOW,90°,STRAIGHT THREAD TO FLARE TUBE	42796	BV-0838	BALL VALVE
22664	12-10 C5OX	ELBOW,90°,STRAIGHT THREAD TO FLARE TUBE	42874	6-8 CLO-S	ELBOW,90°,MALE PIPE TO ORFS
27431	8-12 F5OX-S	CONNECTOR,STRAIGHT THREAD TO FLARE TUBE	42912	13943-6-4	HOSE END,90° FEMALE SWIVEL,JIC
28678	AS-B-33	SLEEVE,NYLON,1.81" ID	42920	BV-0840	BALL VALVE,90°
39871	6 WETX-WLN-S	UNION,90° BULKHEAD W/NUT, FLARE TUBE	42932	AS-B-17	SLEEVE,NYLON,1.22" ID
39872	4 R5OX-S	RUN TEE,STRAIGHT THREAD	42936	10243-2-4	HOSE END,FEMALE PIPE
39873	6 C5OX-S	ELBOW,90°,STRAIGHT THREAD TO FLARE TUBE	42953	1/2 DD-S	ELBOW,90°,FEMALE PIPE
39874	8-6 C5OX-S	ELBOW,90°,STRAIGHT THREAD TO FLARE TUBE	42956	6 WELO-WLNL-S	UNION,90° BULKHEAD W/NUT,ORFS
39875	4-6 C5OX-S	ELBOW,90°,STRAIGHT THREAD TO FLARE TUBE	45349	8 V5OX-S	ELBOW,45°,STRAIGHT THREAD TO FLARE TUBE
39876	6-8 C5OX-S	ELBOW,90°,STRAIGHT THREAD TO FLARE TUBE	45351	4 V5OX-S	ELBOW,45°,STRAIGHT THREAD TO FLARE TUBE
39877	4 F5OX-S	CONNECTOR,STRAIGHT THREAD TO FLARE TUBE	47223	10343-6-6	HOSE END,MALE,JIC
39878	6 F5OX-S	CONNECTOR,STRAIGHT THREAD TO FLARE TUBE	47419	PS690503-6-6	SWIVEL,90°,STRAIGHT THREAD TO 37° FLARE
39879	4-8 F5OX-S	CONNECTOR,STRAIGHT THREAD TO FLARE TUBE	48750	421-4	HOSE,1/4 INCH ID
39880	6-10 F5OX-S	CONNECTOR,STRAIGHT THREAD TO FLARE TUBE	48751	481TC-4	HOSE,1/4 INCH ID
39881	4-6 F5OX-S	CONNECTOR,STRAIGHT THREAD TO FLARE TUBE	48752	482TC-4	HOSE,1/4 INCH ID
39882	4-HP5ON-S	PLUG,STRAIGHT THREAD	48753	451TC-6	HOSE,3/8 INCH ID
39883	8-8 FTX-S	CONNECTOR,MALE PIPE TO FLARE TUBE	48754	482TC-6	HOSE,3/8 INCH ID
39885	269HB 12-12	ELBOW,90°,BEADED HOSE BARB TO MALE PIPE	48755	381-6	HOSE,3/8 INCH ID
39886	431-6	HOSE,3/8 INCH ID	48756	451TC-8	HOSE,1/2 INCH ID
39887	540N-2	HOSE,1/8 INCH ID	48757	482TC-8	HOSE,1/2 INCH ID
39888	801-8	HOSE,1/2 INCH ID	48758	381-8	HOSE,1/2 INCH ID
39889	801-12	HOSE,3/4 INCH ID	48759	381-10	HOSE,5/8 INCH ID
39890	10643-6-6	HOSE END,FEMALE SWIVEL,JIC	48760	451TC-10	HOSE,5/8 INCH ID
39891	13943-6-6	HOSE END,90° FEMALE SWIVEL,JIC	48761	482TC-12	HOSE,3/4 INCH ID
39892	13743-6-6	HOSE END,45° FEMALE SWIVEL,JIC	48762	451TC-12	HOSE,3/4 INCH ID
39894	30682-8-8	HOSE END,FEMALE SWIVEL,JIC	48763	772-12	HOSE,3/4 INCH ID
39895	30682-10-12	HOSE END,FEMALE SWIVEL,JIC	48764	881-16	HOSE,1 INCH ID
42286	8-8 CTX-S	ELBOW,90°,MALE PIPE TO FLARE TUBE	48765	772-16	HOSE,1 INCH ID
42756	8-12 CLO-S	ELBOW,90,MALE PIPE TO ORFS	48766	AS-B-15	SLEEVE,NYLON,1.06" ID
42757	8-12 FLO-S	CONNECTOR,MALE PIPE TO ORFS	48767	AS-B-22	SLEEVE,NYLON,1.42" ID
42758	4 JLO-S	UNION TEE,ORFS	48770	881-8	HOSE,1/2 INCH ID
42759	4-4 FLO-S	CONNECTOR,MALE PIPE TO ORFS	48771	881-10	HOSE,5/8 INCH ID
42760	6-8 FLO-S	CONNECTOR,MALE PIPE TO ORFS	48772	381-4	HOSE,1/4 INCH ID
42761	1J143-6-4	HOSE END,90° FEMALE SWIVEL,SEAL LOK	48773	AS-B-13	SLEEVE,NYLON,.86" ID
42762	1J743-6-4	HOSE END,45° FEMALE SWIVEL,SEAL LOK	48800	1JC43-4-4	HOSE END,FEMALE SWIVEL,SEAL LOK
42768	1JO43-4-4	HOSE END,MALE,SEAL LOK	48801	1J743-4-4	HOSE END,45° FEMALE SWIVEL,SEAL LOK
42776	601-8	HOSE,1/2 INCH ID	48802	1J943-4-4	HOSE END,90° FEMALE SWIVEL,SEAL LOK
42777	1J743-16-16	HOSE END,45° FEMALE SWIVEL,SEAL LOK	48804	1JM43-4-4	HOSE END,MALE,SEAL LOK, NO O-RING
42786	16 CLO-S	ELBOW,90°,MALE PIPE TO ORFS	48805	10643-4-4	HOSE END,FEMALE SWIVEL,JIC
42787	16 R6LO-S	RUN TEE,SWIVEL NUT,ORFS	48806	13943-4-4	HOSE END,90° FEMALE SWIVEL,JIC
42788	16-8 TRLO-BL-S	REDUCER,TUBE END TO SWIVEL,ORFS	48807	1JS43-4-4	HOSE END,FEMALE SWIVEL,SEAL LOK
42789	6-6 CLO-S	ELBOW,90°,MALE PIPE TO ORFS	48808	3JC82-8-8	HOSE END,FEMALE SWIVEL,SEAL LOK
42790	8-10 V5OLO-S	ELBOW,45°,STRAIGHT THREAD TO ORFS	48809	3JC82-12-12	HOSE END,FEMALE SWIVEL,SEAL LOK
42791	3/4 CD-S	ELBOW,90°,MALE TO FEMALE PIPE	48810	1JC43-6-4	HOSE END,FEMALE SWIVEL,SEAL LOK
42792	3/4 X 1/2 PTR-S	REDUCER,MALE TO FEMALE PIPE	48811	1J943-6-4	HOSE END,90° FEMALE SWIVEL,SEAL LOK
42793	1/2 CR-S	ELBOW,90°,MALE PIPE	48812	1JC43-6-6	HOSE END,FEMALE SWIVEL,SEAL LOK

207.1  
Hydraulic Hose and Fitting Cross-reference Rev A

Genie PN	Parker PN	Description
48813	1J143-6-6	HOSE END,90° FEMALE SWIVEL,SEAL LOK
48814	1J543-6-6	HOSE END,90° FEMALE SWIVEL,SEAL LOK
48815	1J743-6-6	HOSE END,45° FEMALE SWIVEL,SEAL LOK
48816	1J943-6-6	HOSE END,90° FEMALE SWIVEL,SEAL LOK
48817	1JS43-6-8	HOSE END,FEMALE SWIVEL,SEAL LOK
48818	1J943-8-4	HOSE END,90° FEMALE SWIVEL,SEAL LOK
48819	1JC43-8-6	HOSE END,FEMALE SWIVEL,SEAL LOK
48820	1J743-8-6	HOSE END,45° FEMALE SWIVEL,SEAL LOK
48821	1J943-8-6	HOSE END,90° FEMALE SWIVEL,SEAL LOK
48822	1JC43-8-8	HOSE END,FEMALE SWIVEL,SEAL LOK
48823	1JS43-8-8	HOSE END,FEMALE SWIVEL,SEAL LOK
48824	1J143-8-8	HOSE END,90° FEMALE SWIVEL,SEAL LOK
48825	1J543-8-8	HOSE END,90° FEMALE SWIVEL,SEAL LOK
48826	1J743-8-8	HOSE END,45° FEMALE SWIVEL,SEAL LOK
48827	1J943-8-8	HOSE END,90° FEMALE SWIVEL,SEAL LOK
48828	1JC43-10-8	HOSE END,FEMALE SWIVEL,SEAL LOK
48829	1JS43-10-8	HOSE END,FEMALE SWIVEL,SEAL LOK
48830	1J743-10-8	HOSE END,45° FEMALE SWIVEL,SEAL LOK
48831	1J943-10-8	HOSE END,90° FEMALE SWIVEL,SEAL LOK
48833	1JC43-10-10	HOSE END,FEMALE SWIVEL,SEAL LOK
48834	1J943-10-10	HOSE END,90° FEMALE SWIVEL,SEAL LOK
48835	1JS43-10-12	HOSE END,FEMALE SWIVEL,SEAL LOK
48836	1JC43-12-8	HOSE END,FEMALE SWIVEL,SEAL LOK
48837	1JS43-12-8	HOSE END,FEMALE SWIVEL,SEAL LOK
48838	1J743-12-8	HOSE END,45° FEMALE SWIVEL,SEAL LOK
48839	1J943-12-8	HOSE END,90° FEMALE SWIVEL,SEAL LOK
48840	1J943-12-10	HOSE END,90° FEMALE SWIVEL,SEAL LOK
48841	1JC43-12-12	HOSE END,FEMALE SWIVEL,SEAL LOK
48842	1JO43-12-12	HOSE END,MALE,SEAL LOK
48843	1J143-12-12	HOSE END,90° FEMALE SWIVEL,SEAL LOK
48844	1J543-12-12	HOSE END,90° FEMALE SWIVEL,SEAL LOK
48845	1J743-12-12	HOSE END,45° FEMALE SWIVEL,SEAL LOK
48846	1J943-12-12	HOSE END,90° FEMALE SWIVEL,SEAL LOK
48847	13943-12-12	HOSE END,90° FEMALE SWIVEL,JIC
48848	10543-12-12	HOSE END,MALE,STRAIGHT THREAD
48849	1JC71-12-12	HOSE END,FEMALE SWIVEL,SEAL LOK
48850	1JS71-12-12	HOSE END,FEMALE SWIVEL,SEAL LOK
48851	1J171-12-12	HOSE END,90° FEMALE SWIVEL,SEAL LOK
48852	1J771-12-12	HOSE END,45° FEMALE SWIVEL,SEAL LOK
48853	1J971-12-12	HOSE END,90° FEMALE SWIVEL,SEAL LOK
48854	1JC43-16-16	HOSE END,FEMALE SWIVEL,SEAL LOK
48855	1J943-16-16	HOSE END,90° FEMALE SWIVEL,SEAL LOK
48856	1J171-16-16	HOSE END,90° FEMALE SWIVEL,SEAL LOK
48857	1J971-16-16	HOSE END,90° FEMALE SWIVEL,SEAL LOK
48859	1JS43-8-4	HOSE END,FEMALE SWIVEL,SEAL LOK
48867	PD36BTL	DIAGNOSTIC NIPPLE,SEAL-LOK SWIVEL
48873	6PNLO-S	PLUG,TUBE END,ORFS
48874	6PNTX-S	PLUG,FLARE TUBE

Genie PN	Parker PN	Description
48875	6R6LO-S	RUN TEE,SWIVEL NUT,ORFS
48877	4F5OLO-SW/.025ORI	CONNECTOR,STRAIGHT THREAD TO ORFS, W/.025 ORI
48878	16-12C5OLO-S	ELBOW,90°,STRAIGHT THREAD TO ORFS
48879	8C6LO-S	ELBOW,90°,SWIVEL NUT ORFS
48880	PD6-285	CAP,DIAGNOSTIC NIPPLE
48881	6HLO-S	UNION,ORFS
48882	PD34BTL	DIAGNOSTIC NIPPLE,SEAL-LOK SWIVEL
48883	8P5ON-S	PLUG,STRAIGHT THREAD
48884	8M18F87OMLO-S	CONNECTOR,METRIC,STRAIGHT THREAD TO ORFS
48885	4WGTX-WLN-S	CONNECTOR,BULKHEAD,FEMALE PIPE TO FLARE TUBE
48886	4F5OLO-SW/2MM OFF	CONNECTOR,MACHINED STRAIGHT THREAD TO ORFS
48887	4CTX-S	ELBOW,90°,MALE PIPE TO FLARE TUBE
48888	10-12V5OLO-S	ELBOW,45°,STRAIGHT THREAD TO ORFS
48890	4S5OLO-S	BRANCH TEE,STRAIGHT THREAD TO ORFS
48891	4S6LO-S	BRANCH TEE,SWIVEL NUT TO ORFS
48892	6C6LO-S	ELBOW,90°,SWIVEL NUT ORFS
48893	6F5OHAO-S	UNION,STRAIGHT THREAD
48894	8WLO-WLNL-S	UNION,BULKHEAD,ORFS
48895	DT-370-MSMO-5	VALVE,CHECK
48896	6JLO-S	UNION,TEE,ORFS
48897	DT-750-MSMS-5	VALVE,CHECK
48898	DT-750-MOMS-5	VALVE,CHECK
48899	DT-620-MOMS-5	VALVE,CHECK
48900	4-6F5OLO-SW/.035ORI	CONNECTOR,STRAIGHT THREAD TO ORFS, W/.035 ORI
48902	16-1AOE4G-S	ELBOW,90° LONG,FEMALE PIPE TO STRAIGHT THREAD
48903	1FF-S	NIPPLE,PIPE
48904	4C5OLO-S	ELBOW,90°,STRAIGHT THREAD TO ORFS
48905	4F5OLO-S	CONNECTOR,STRAIGHT THREAD TO ORFS
48906	4R5OLO-S	RUN TEE,STRAIGHT THREAD
48907	4V5OLO-S	ELBOW,45°,STRAIGHT THREAD TO ORFS
48908	4R6LO-S	RUN TEE,SWIVEL NUT,ORFS
48909	4WJLO-WLNL-S	RUN TEE,BULKHEAD,ORFS
48910	4GTX-SW/.030ORIFIC	CONNECTOR,FEMALE PIPE TO FLARE TUBE
48911	4-6C5OLO-S	ELBOW,90°,STRAIGHT THREAD TO ORFS
48912	4-6F5OLO-S	CONNECTOR,STRAIGHT THREAD TO ORFS
48913	4-6F5OLO-SW/.030OR	CONNECTOR,STRAIGHT THREAD TO ORFS, W/.030 ORI
48914	4-8F5OLO-S	CONNECTOR,STRAIGHT THREAD TO ORFS
48915	6C5OLO-S	ELBOW,90°,STRAIGHT THREAD TO ORFS
48916	6F5OLO-S	CONNECTOR,STRAIGHT THREAD TO ORFS
48917	6FF5OLO-S	CONNECTOR,LONG,STRAIGHT THREAD TO ORFS
48918	6R5OLO-S	RUN TEE,STRAIGHT THREAD

**Figure** 207.1      **Rev** A      **Description** Hydraulic Hose and Fitting Cross-reference

Genie PN	Parker PN	Description	Genie PN	Parker PN	Description
48919	6 S5OLO-S	BRANCH TEE, STRAIGHT THREAD TO ORFS	48968	12 WLO-WLNL-S	UNION, BULKHEAD, ORFS
48920	6 V5OLO-S	ELBOW, 45°, STRAIGHT THREAD TO ORFS	48969	12 WJLO-WLNL-S	RUN TEE, BULKHEAD, ORFS
48921	6 FLO-S	CONNECTOR, MALE PIPE TO ORFS	48970	12 WELO-WLNL-S	UNION, 90° BULKHEAD W/NUT, ORFS
48922	6-6 FLO-S	CONNECTOR, MALE PIPE TO ORFS	48971	12 G5G5JG5-S	TEE, FEMALE STRAIGHT THREAD
48923	6 P5ON-S	PLUG, STRAIGHT THREAD	48972	12 XHL6-S	ADAPTER, 37° MALE TO SWIVEL ORFS
48925	6 WELO-S	UNION, 90° BULKHEAD, ORFS	48973	12-1/2 F5OG-S	ADAPTER, FEMALE PIPE TO STRAIGHT THREAD
48926	6-4 C5OLO-S	ELBOW, 90°, STRAIGHT THREAD TO ORFS	48974	12-10 C5OLO-S	ELBOW, 90°, STRAIGHT THREAD TO ORFS
48927	6-4 F5OLO-S	CONNECTOR, STRAIGHT THREAD TO ORFS	48975	12-10 F5OLO-S	CONNECTOR, STRAIGHT THREAD TO ORFS
48928	6-4 V5OLO-S	ELBOW, 45°, STRAIGHT THREAD TO ORFS	48976	12-16 C5OLO-S	ELBOW, 90°, STRAIGHT THREAD TO ORFS
48929	6-8 C5OLO-S	ELBOW, 90°, STRAIGHT THREAD TO ORFS	48977	12-16 F5OLO-S	CONNECTOR, STRAIGHT THREAD TO ORFS
48930	6-8 F5OLO-S	CONNECTOR, STRAIGHT THREAD TO ORFS	48978	12-16 V5OLO-S	ELBOW, 45°, STRAIGHT THREAD TO ORFS
48931	6-10 F5OLO-S	CONNECTOR, STRAIGHT THREAD TO ORFS	48980	12-16 FLO-S	CONNECTOR, MALE PIPE TO ORFS
48932	8 C5OLO-S	ELBOW, 90°, STRAIGHT THREAD TO ORFS	48983	16 C5OLO-S	ELBOW, 90°, STRAIGHT THREAD TO ORFS
48933	8 F5OLO-S	CONNECTOR, STRAIGHT THREAD TO ORFS	48984	16 F5OLO-S	CONNECTOR, STRAIGHT THREAD TO ORFS
48934	8 FF5OLO-S	CONNECTOR, LONG, STRAIGHT THREAD TO ORFS	48985	16 V5OLO-S	ELBOW, 45°, STRAIGHT THREAD TO ORFS
48935	8 R5OLO-S	RUN TEE, STRAIGHT THREAD	48986	16 FLO-S	CONNECTOR, MALE PIPE TO ORFS
48936	8 S5OLO-S	BRANCH TEE, STRAIGHT THREAD TO ORFS	48988	16 CD45-S	ELBOW, 45°, MALE TO FEMALE PIPE
48937	8 V5OLO-S	ELBOW, 45°, STRAIGHT THREAD TO ORFS	48989	12 CD45-S	ELBOW, 45°, MALE TO FEMALE PIPE
48938	8 R6LO-S	RUN TEE, SWIVEL NUT, ORFS	48990	8 CD45-S	ELBOW, 45°, MALE TO FEMALE PIPE
48939	8 S6LO-S	BRANCH TEE, SWIVEL NUT TO ORFS	48991	16-12 FLO-S	CONNECTOR, MALE PIPE TO ORFS
48940	8 WJLO-WLNL-S	RUN TEE, BULKHEAD, ORFS	48992	16-12 V5OLO-S	ELBOW, 45°, STRAIGHT THREAD TO ORFS
48941	8-4 TRLO-S	REDUCER, TUBE END TO SWIVEL, ORFS	48993	XV501-12	BALL VALVE
48942	8-6 C5OLO-S	ELBOW, 90°, STRAIGHT THREAD TO ORFS	48994	XV501-16	BALL VALVE
48943	8-6 F5OLO-S	CONNECTOR, STRAIGHT THREAD TO ORFS	48995	XV510P-12	BALL VALVE
48944	8-8 FLO-S	CONNECTOR, MALE PIPE TO ORFS	48996	XV510P-16	BALL VALVE
48945	8 FTX-S	CONNECTOR, MALE PIPE TO FLARE TUBE	48997	PD341	DIAGNOSTIC NIPPLE, STRAIGHT THREAD
48946	8-10 F5OLO-S	CONNECTOR, STRAIGHT THREAD TO ORFS	48998	PD361	DIAGNOSTIC NIPPLE, STRAIGHT THREAD
48947	8-12 C5OLO-S	ELBOW, 90°, STRAIGHT THREAD TO ORFS	48999	DT-500-MOMS-5	VALVE, CHECK
48948	8-12 F5OLO-S	CONNECTOR, STRAIGHT THREAD TO ORFS	49201	10 V5OLO-S	ELBOW, 45°, STRAIGHT THREAD TO ORFS
48949	8-16 F5OLO-S	CONNECTOR, STRAIGHT THREAD TO ORFS	49202	1JC43-12-10	HOSE END, FEMALE SWIVEL, SEAL LOK
48950	10 C5OLO-S	ELBOW, 90°, STRAIGHT THREAD TO ORFS	49203	10-8 V5OLO-S	ELBOW, 45°, STRAIGHT THREAD TO ORFS
48951	10 CC5OLO-S	ELBOW, 90° LONG, STRAIGHT THREAD TO ORFS	49205	6 F5OHAO-S	UNION, STRAIGHT THREAD
48952	10 F5OLO-S	CONNECTOR, STRAIGHT THREAD TO ORFS	49207	PD34BTL	DIAGNOSTIC NIPPLE, SEAL-LOK SWIVEL
48953	10 R5OLO-S	RUN TEE, STRAIGHT THREAD	49209	8M18F870MX-S	CONNECTOR, METRIC, STRAIGHT THREAD TO FLARE TUBE
48954	10 S5OLO-S	BRANCH TEE, STRAIGHT THREAD TO ORFS	49212	8 WGTX-WLN-S	CONNECTOR, BULKHEAD, FEMALE PIPE TO FLARE TUBE
48955	10 R6LO-S	RUN TEE, SWIVEL NUT, ORFS	49213	30682-8-8	HOSE END, FEMALE SWIVEL, JIC
48956	10-4 TRLO-BL-S	REDUCER, TUBE END TO SWIVEL, ORFS	49216	831-8	HOSE, 1/2 INCH ID
48957	10-6 TRLO-BL-S	REDUCER, TUBE END TO SWIVEL, ORFS	49217	33982-8-8	HOSE END, 90° FEMALE SWIVEL, JIC
48958	10-12 F5OLO-S	CONNECTOR, STRAIGHT THREAD TO ORFS	49219	PS-B-35	SLEEVE, NYLON, 2.19" ID
48959	12 C5OLO-S	ELBOW, 90°, STRAIGHT THREAD TO ORFS	49418	4-6 V5OLO-S	ELBOW, 45°, STRAIGHT THREAD TO ORFS
48960	12 F5OLO-S	CONNECTOR, STRAIGHT THREAD TO ORFS	49511	DT370-MOMS-5	VALVE, CHECK
48961	12 R5OLO-S	RUN TEE, STRAIGHT THREAD	49512	1 DD-S	ELBOW, 90°, FEMALE PIPE
48962	12 S5OLO-S	BRANCH TEE, STRAIGHT THREAD TO ORFS	49513	1 FF-S	NIPPLE, PIPE
48963	12 V5OLO-S	ELBOW, 45°, STRAIGHT THREAD TO ORFS	49514	10 HP5ON-S	PLUG, STRAIGHT THREAD
48964	12 R6LO-S	RUN TEE, SWIVEL NUT, ORFS	49515	12-16 CLO-S	ELBOW, 90°, MALE PIPE TO ORFS
48965	12 CLO-S	ELBOW, 90°, MALE PIPE TO ORFS	49517	6 HP5ON-S	PLUG, STRAIGHT THREAD
48966	12 FLO-S	CONNECTOR, MALE PIPE TO ORFS			
48967	12 JLO-S	UNION TEE, ORFS			

207.1  
Hydraulic Hose and Fitting Cross-reference Rev A

Genie PN	Parker PN	Description	Genie PN	Parker PN	Description
49519	16-12F5OLO-S	CONNECTOR,STRAIGHT THREAD TO ORFS	54428	8M18C87OMLO-S	ELBOW,90° METRIC, STRAIGHT THREAD TO ORFS
49520	4 VTX-S	ELBOW,45°,MALE PIPE TO FLARE TUBE	54803	FS-F-16-10	SLEEVE,FIRE,.96" ID
49530	16 C6LO-S	ELBOW,90°,SWIVEL NUT ORFS	54954	10143-2-4	HOSE END, MALE PIPE
49612	PKT02586	O-RING KIT (ORFS FITTINGS)	55190	3/8 HP-S	PLUG,PIPE THREAD
49613	PKT06276	PLUG AND CAP KIT-SERVICE,ORFS	55448	8 HLO-S	UNION,ORFS
49728	10143-12-12	HOSE END, MALE PIPE	55839	6F65OX-S	CONNECTOR,STRAIGHT THREAD TO 37° SWIVEL
49729	16-1F5OG-S	ADAPTER,FEMALE PIPE TO STRAIGHT THREAD	55968	10 C5OX-S	ELBOW,90°,STRAIGHT THREAD TO FLARE TUBE
49814	12-8 FLO-S	CONNECTOR,MALE PIPE TO ORFS	56003	6 CC5OLO-S	ELBOW,90° LONG,STRAIGHT THREAD TO ORFS
49829	DT-500-MOMF-5	VALVE,CHECK	56166	BV-0837	BALL VALVE,90°
49831	881-12	HOSE,3/4 INCH ID	56188	10143-8-6	HOSE END, MALE PIPE
49834	16 JLO-S	UNION TEE,ORFS	56233	2-011	O-RING,ORFS,-4
49838	12-8 TRLO-BL-S	REDUCER,TUBE END TO SWIVEL,ORFS	56234	2-012	O-RING,ORFS,-6
49840	8 JLO-S	UNION TEE,ORFS	56235	2-014	O-RING,ORFS,-8
49844	10-8 TRLO-BL-S	REDUCER,TUBE END TO SWIVEL,ORFS	56236	2-016	O-RING,ORFS,-10
49854	8 P5ON-S	PLUG,STRAIGHT THREAD	56237	2-018	O-RING,ORFS,-12
49855	1JC43-16-12	HOSE END,FEMALE SWIVEL,SEAL LOK	56238	2-021	O-RING,ORFS,-16
49859	4 P5ON-S	PLUG,STRAIGHT THREAD	56352	6 WLNL-S	LOCKNUT,BULKHEAD
49861	4 FF5OLO-S	CONNECTOR,LONG,STRAIGHT THREAD TO ORFS	56353	3J782-12-12	HOSE END,45° FEMALE SWIVEL,SEAL LOK
49867	12-3/4 F5OG-S	ADAPTER,FEMALE PIPE TO STRAIGHT THREAD	56354	3J982-12-12	HOSE END,90° FEMALE SWIVEL,SEAL LOK
51152	6 R6X-S	RUN TEE,SWIVEL NUT,ORFS	56604	10-8 F5OLO-S	CONNECTOR,STRAIGHT THREAD TO ORFS
51153	6-4 TRTX-S	REDUCER,TUBE END TO SWIVEL,ORFS	56639	3JC82-10-10	HOSE END,FEMALE SWIVEL,SEAL LOK
51154	4-4 GTX	CONNECTOR,FEMALE PIPE TO FLARE TUBE	56640	3J982-10-10	HOSE END,90° FEMALE SWIVEL,SEAL LOK
51264	881-12	HOSE,3/4 INCH ID	56655	3JC82-8-10	HOSE END,FEMALE SWIVEL,SEAL LOK
51265	8 JLO-S	UNION TEE,ORFS	56676	10-8 C5OLO-S	ELBOW,90°,STRAIGHT THREAD TO ORFS
51508	6 BTX-S	NUT,FLARE TUBE	56776	471TC-6	HOSE,3/8 INCH ID
51580	12-8 TRLO-BL-S	TUBE END REDUCER,ORFS	56777	471TC-8	HOSE,1/2 INCH ID
51628	6 R6X-S	RUN TEE,SWIVEL NUT,ORFS	56789	811-16	HOSE,1 INCH ID
51735	3/8 HHP	PLUG,PIPE THREAD	57884	3/8 FF	NIPPLE,PIPE
51803	1J943-6-8	HOSE END,90° FEMALE SWIVEL,SEAL LOK	59335	6 FNL-S	CAP, TUBE END
53023	125HBL-5-4	FITTING,HOSE BARB TO MALE PIPE	59342	4 FNL-S	CAP, TUBE END
53497	PKT02585	O-RING KIT	59371	8 HP5ON-S	PLUG,STRAIGHT THREAD
53499	1JC71-16-16	HOSE END,FEMALE SWIVEL,SEAL LOK	60653	BV-0751	BALL VALVE
53500	3-904	O-RING,STRAIGHT THREAD,-4	60806	125HB-3-4	FITTING,HOSE BARB TO MALE PIPE
53501	3-906	O-RING,STRAIGHT THREAD,-6	61064	5-1/4 F5OG-S	ADAPTER,FEMALE PIPE TO STRAIGHT THREAD
53502	3-908	O-RING,STRAIGHT THREAD,-8	61079	4 WELO-WLNL-S	UNION,90° BULKHEAD W/NUT,ORFS
53503	3-910	O-RING,STRAIGHT THREAD,-10	61080	6 WLO-WLNL-S	UNION,BULKHEAD,ORFS
53535	3-912	O-RING,STRAIGHT THREAD,-12	61083	24 F5OLO-S	CONNECTOR,STRAIGHT THREAD TO ORFS
53536	4-PNLO-S	PLUG,TUBE END,ORFS	61086	20 R5OLO-S	RUN TEE,STRAIGHT THREAD
53537	6 PNLO-S	PLUG,TUBE END,ORFS	61090	24-20 F5OLO-S	CONNECTOR,STRAIGHT THREAD TO ORFS
53538	8 PNLO-S	PLUG,TUBE END,ORFS	61091	1J94324-24	HOSE END,90° FEMALE SWIVEL,SEAL LOK
53539	10 PNLO-S	PLUG,TUBE END,ORFS	61093	1J978-12-12	HOSE END,90° FEMALE SWIVEL,JIC
53540	12 PNLO-S	PLUG,TUBE END,ORFS	61095	1JS43-20-16	HOSE END,FEMALE SWIVEL,SEAL LOK
53946	129HB-5-4	FITTING,90° HOSE BARB TO MALE PIPE	61100	811-24	HOSE,1 1/2 INCH ID
53951	8-1/4F5OG-S	ADAPTER,FEMALE PIPE TO STRAIGHT THREAD	61130	1JS43-24-24	HOSE END,FEMALE SWIVEL,SEAL LOK
53980	6S6LO-S	BRANCH TEE,SWIVEL NUT TO ORFS	61131	1JS78 12-12	HOSE END,FEMALE SWIVEL,SEAL LOK
54132	4 C6LO-S	ELBOW,90°,SWIVEL NUT ORFS	61132	1J778-12-12	HOSE END,45° FEMALE SWIVEL,JIC
54135	11343-16-16	HOSE END,MALE SWIVEL,PIPE	61152	139HB-6-4	ELBOW,45°, BARB TO MALE PIPE
54283	8-10 C5OLO-S	ELBOW,90°,STRAIGHT THREAD TO ORFS	61251	BV-0750	BALL VALVE



Figure	Rev	Description
207.1	A	Hydraulic Hose and Fitting Cross-reference

Genie PN	Parker PN	Description	Genie PN	Parker PN	Description
61259	4 CC5OLO-S	ELBOW,90° LONG,STRAIGHT THREAD TO ORFS	73437	61C-4	NUT,COMPRESSION
61260	20-12 TRLO-BL	REDUCER,TUBE END TO SWIVEL,ORFS	73438	33482-4-4B	HOSE END,PUSH LOK,MALE
61262	12 C6LO-S	ELBOW,90°,SWIVEL NUT ORFS	73767	1CD-S	ELBOW,90°,MALE TO FEMALE PIPE
61263	20 F5OHAO-S	UNION,STRAIGHT THREAD	73768	20-16-F5OG5-S	ADAPTER,FEMALE PIPE TO STRAIGHT THREAD
61264	6-10 C5OLO-S	ELBOW,90°,STRAIGHT THREAD TO ORFS	73769	16-20 F5OLO-S	CONNECTOR,STRAIGHT THREAD TO ORFS
61265	6 WNLO-WLNL-S	UNION,BULKHEAD 45°,ORFS	74660	6-8 F42EDMLO-S	CONNECTOR,MALE BSPP TO ORFS
61268	4 WNLO-WLNL-S	UNION,BULKHEAD 45°,ORFS	74661	8-8 F42EDMLO-S	CONNECTOR,MALE BSPP TO ORFS
61269	4 WLO-WLNL-S	UNION,BULKHEAD,ORFS	75007	4 FLO-S	CONNECTOR,MALE PIPE TO ORFS
61272	12 AOEL6	ELBOW,90°,STRAIGHT THREAD TO ORFS SWIVEL	75008	1/8HP-S	PLUG,PIPE THREAD
61316	482TC-16	HOSE,1 INCH ID	75014	1/2HP-S	PLUG,PIPE THREAD
61321	6 JLO-S	UNION TEE,ORFS	75042	8 WELO-WLNL-S	UNION,90° BULKHEAD W/NUT,ORFS
61327	782-12	HOSE,3/4 INCH ID	75043	3/4 FF-S	NIPPLE,PIPE
61328	881-24	HOSE,1 1/2 INCH ID	75254	24 F5OHAO-S	UNION,STRAIGHT THREAD
61336	11943-20-24	HOSE END,90° FLANGE HEAD	75255	12 F5OHAO-S	UNION,STRAIGHT THREAD
61345	12 WJLO-WLNL-S	RUN TEE, BULKHEAD,ORFS	75256	XV5O6P-24	BALL VALVE
61346	8 WNLO-WLNL-S 4	UNION,BULKHEAD 45°,ORFS	75574	4 WLNL-S	BULKHEAD LOCKNUT
61569	33782-8-8	HOSE END,45° FEMALE SWIVEL,JIC	75612	8 WJLO-WLNL-S	RUN TEE, BULKHEAD,ORFS
61610	12 FF5OLO-S	CONNECTOR, LONG,STRAIGHT THREAD TO ORFS	75613	12-8 F5OG5-S	ADAPTER,FEMALE PIPE TO STRAIGHT THREAD
61742	1/8 X 1.5 FFF	NIPPLE,PIPE	75614	8 CC5OLO-S	ELBOW,90° LONG,STRAIGHT THREAD TO ORFS
63426	8 PNTX-S	PLUG,FLARE TUBE	75628	1JB43-4-4	HOSE END,BULKHEAD,SEAL LOK
64271	4 WLO-WLNL-S	UNION,BULKHEAD,ORFS	75631	801-6	HOSE,3/8 INCH ID
64272	6 WLO-WLNL-S	UNION,BULKHEAD,ORFS	75654	20 F5OLO-S	CONNECTOR,STRAIGHT THREAD TO ORFS
65776	8 F65OL-S	CONNECTOR,STRAIGHT THREAD TO ORFS SWIVEL	75655	1J943-20-20	HOSE END,90° FEMALE SWIVEL,SEAL LOK
65880	6001012	O-RING KIT	75656	881-20	HOSE,1-1/4 INCH ID
66154	6 WTX-WLNS	UNION,BULKHEAD,FLARE TUBE	75971	8 F5OHAO-S	UNION,STRAIGHT THREAD
66155	6 WETX-S	UNION,BULKHEAD 90°,FLARE TUBE	77307	1JB43-8-8	HOSE END,BULKHEAD,SEAL LOK
66156	6 WLN-S	BULKHEAD LOCKNUT	77309	8 WLNL-S	BULKHEAD LOCKNUT
66389	6-8 F5OX-S	CONNECTOR,STRAIGHT THREAD TO FLARE TUBE	77379	8M18C87OMX-S	ELBOW,90° METRIC,STRAIGHT THREAD TO FLARE TUBE
66392	6 R5OX-S	RUN TEE,STRAIGHT THREAD	77703	3J982-8-8	HOSE END,90° FEMALE SWIVEL,SEAL LOK
66396	811-12	HOSE,3/4 INCH ID	77711	801-10	HOSE,5/8 INCH ID
66829	H3174PP	CLAMP,TUBE	77758	12 WNLO-WLNL-S	UNION,BULKHEAD 45°,ORFS
67217	4 KLO-S	UNION,CROSS,ORFS	78091	6 C6X-S	ELBOW,90°,SWIVEL NUT TO FLARE TUBE
67339	10-6 F5OX-S	CONNECTOR,STRAIGHT THREAD TO FLARE TUBE	78684	30582-8-8B	HOSE END,PUSH LOK,MALE
67357	13943-8-6	HOSE END,90° FEMALE SWIVEL,JIC	78852	549-2	HOSE,1/8 INCH ID
67358	10 HP5ON-S	PLUG,STRAIGHT THREAD	78855	10657-4-2	HOSE END,FEMALE SWIVEL,JIC
67371	12 S6LO-S	BRANCH TEE,SWIVEL NUT TO ORFS	79138	PS-B-37	SLEEVE,NYLON,2.38" ID
67498	4 FNL-S	CAP, TUBE END	79476	1JS43-6-8	HOSE END,FEMALE SWIVEL,SEAL LOK
67906	DC-370-F0F0-5	VALVE,CHECK	79847	12-3/4 A0EG-S	ELBOW,90°,STRAIGHT THREAD TO FEMALE PIPE
69316	8 FLO-S	CONNECTOR,MALE PIPE TO ORFS	80044	8 CLO-S	ELBOW,90°,MALE PIPE TO ORFS
69333	H3174PP	CLAMP,HYDRAULIC HOSE	80502	8 F5OX-S	CONNECTOR,STRAIGHT THREAD TO FLARE TUBE
69503	4 F65OX-S	CONNECTOR,STRAIGHT THREAD TO 37° SWIVEL	80503	8 C5OX-S	ELBOW,90°,STRAIGHT THREAD TO FLARE TUBE
69775	8 FNL-S	CAP, TUBE END	81010	AS-B-27	SLEEVE,NYLON,1.63" ID
71038	1/4X1/4F3HG-S	ADAPTER,CONVERSION	83052	821-6	HOSE,3/8 INCH ID
71196	12-8 F5OLO-S	CONNECTOR,STRAIGHT THREAD TO ORFS	83053	821-8	HOSE,1/2 INCH ID
71383	1/4 CD45-S	ELBOW,45°,MALE TO FEMALE PIPE	83054	821-12	HOSE,3/4 INCH ID
72270	12 FNL-S	CAP, TUBE END	83055	30682-6-6	HOSE END,FEMALE SWIVEL,JIC
73436	60C-4	SLEEVE,COMPRESSION	83056	30682-12-12	HOSE END,FEMALE SWIVEL,JIC

207.1  
Hydraulic Hose and Fitting Cross-reference Rev A

Genie PN	Parker PN	Description
83057	33782-6-6	HOSE END,45° FEMALE SWIVEL,JIC
83058	33982-6-6	HOSE END,90° FEMALE SWIVEL,JIC
83060	33982-12-12	HOSE END,90° FEMALE SWIVEL,JIC
83063	13743-4-4	HOSE END,45° FEMALE SWIVEL,JIC
83064	13743-8-8	HOSE END,45° FEMALE SWIVEL,JIC
83065	13743-12-12	HOSE END,45° FEMALE SWIVEL,JIC
83066	13943-8-8	HOSE END,90° FEMALE SWIVEL,JIC
83067	14143-6-6	HOSE END,90° FEMALE SWIVEL,JIC
83068	14143-8-8	HOSE END,90° FEMALE SWIVEL,JIC
83069	14143-12-12	HOSE END,90° FEMALE SWIVEL,JIC
83070	772-8	HOSE,1/2 INCH ID
83071	10671-8-8	HOSE END,FEMALE SWIVEL,JIC
83072	10671-12-12	HOSE END,FEMALE SWIVEL,JIC
83073	13771-8-8	HOSE END,45° FEMALE SWIVEL,JIC
83074	13771-12-12	HOSE END,45° FEMALE SWIVEL,JIC
83075	13971-8-8	HOSE END,90° FEMALE SWIVEL,JIC
83076	13971-12-12	HOSE END,90° FEMALE SWIVEL,JIC
83077	14171-8-8	HOSE END,90° FEMALE SWIVEL,JIC
83078	14171-12-12	HOSE END,90° FEMALE SWIVEL,JIC
83080	13943-16-16	HOSE END,90° FEMALE SWIVEL,JIC
83103	10671-16-12	HOSE END,FEMALE SWIVEL,JIC
83104	10671-10-12	HOSE END,FEMALE SWIVEL,JIC
83112	1JC71-8-8	HOSE END,FEMALE SWIVEL,SEALLOK
83113	1JS71-16-12	HOSE END,FEMALE SWIVEL,SEALLOK
83114	1JS71-10-12	HOSE END,FEMALE SWIVEL,SEALLOK
83115	1J971-8-8	HOSE END,90° FEMALE SWIVEL,SEALLOK
83116	1J171-8-8	HOSE END,90° FEMALE SWIVEL,SEALLOK
83117	1J771-8-8	HOSE END,45° FEMALE SWIVEL,SEALLOK
83127	1J543-6-8	HOSE END,90° FEMALE SWIVEL,JIC
83128	1JC43-6-8	HOSE END,FEMALE SWIVEL,SEALLOK
87033	12-6 TRLO-S	REDUCER,TUBE END TO SWIVEL,ORFS
87034	3J782-8-8	HOSE END,45° FEMALE SWIVEL,SEALLOK
87172	12 HP5ON-S	PLUG,STRAIGHT THREAD
87185	8 WNLO-WLNL-S	UNION,BULKHEAD 45°,ORFS
87246	4 C6X-S	ELBOW,90°,SWIVEL NUT TO FLARE TUBE
87679	6 LHP-S	FLANGE SEAL FITTING, MALE
87681	6PLSN0702	BONDED SEAL
88100	SR88100	ADAPTER,OIL DRAIN,GM 3.0L
88311	1JS43-20-20	HOSE END,FEMALE SWIVEL,SEALLOK
88353	20 V5OLO-S	ELBOW,45°,STRAIGHT THREAD TO ORFS
88474	10081-20	Crimp Shell, 1.25"
88475	1988-20-24	HOSE END,90° FLANGE HEAD
88476	JS88-24-24	HOSE END,FEMALE SWIVEL,SEALLOK
88477	1JC88-20-20	HOSE END,FEMALE SWIVEL,SEALLOK
88478	811-20	HOSE,1 1/4 INCH ID
88936	20-16 F5OLO-S	CONNECTOR,STRAIGHT THREAD TO ORFS
88937	20-16 FLO-S	CONNECTOR,MALE PIPE TO ORFS
88938	1JC88-16-16	HOSE END,FEMALE SWIVEL,SEALLOK

Genie PN	Parker PN	Description
88939	1J988-16-16	HOSE END,90° FEMALE SWIVEL,ORFS
88940	811-16	HOSE,1 INCH ID
88944	1J988-20-20	HOSE END,90° FEMALE SWIVEL,ORFS
89403	16 VLO-S	ELBOW,45°,MALE PIPE TO ORFS
89449	6 WJJLO-WLNL-S	RUN TEE, BULKHEAD,ORFS
89489	4 WJMLO-S	BRANCH TEE,BULKHEAD,ORFS
89551	1JB43-6-6	HOSE END,BULKHEAD,SEAL LOK
89552	1JB43-8-8	HOSE END,BULKHEAD,SEAL LOK
89593	20 C5OLO-S	ELBOW,90°,STRAIGHT THREAD TO ORFS
94161	8-8 CLO-S	ELBOW,90°,MALE PIPE TO ORFS
94358	351TC-12	HOSE,3/4 INCH ID
94418	20 FLO-S	CONNECTOR,MALE PIPE TO ORFS
96358	12 TX-S	SLEEVE,FLARE TUBE
96359	12 BTX-S	NUT,FLARE TUBE
96397	8 F5OX-S	CONNECTOR,STRAIGHT THREAD TO FLARE TUBE
96398	12-8 F5OX-S	CONNECTOR,STRAIGHT THREAD TO FLARE TUBE
96402	10343-6-6	HOSE END,MALE,JIC
96407	30382-6-6B	HOSE END,MALE,JIC

<p><b>Genie Holland</b>  <b>Phone</b> 31 70 51 78836  <b>Fax</b> 31 70 51 13993</p>
<p><b>Genie Denmark</b>  <b>Phone</b> 45 6612 5544  <b>Fax</b> 45 6612 5530</p>
<p><b>Genie France</b>  <b>Phone</b> 33 2 37 26 09 99  <b>Fax</b> 33 2 37 31 11 95</p>
<p><b>Genie Spain</b>  <b>Phone</b> 34 93 579 5042  <b>Fax</b> 34 93 579 5059</p>
<p><b>Genie Germany</b>  <b>Phone</b> 49 4202 8852-0  <b>Fax</b> 49 4202 8852-20</p>
<p><b>Genie U.K.</b>  <b>Phone</b> 44 1636 614700  <b>Fax</b> 44 1636 611090</p>
<p><b>Genie Mexico City</b>  <b>Phone</b> 52 5 653 03 84  <b>Fax</b> 52 5 664 40 16</p>

**Genie North America**

**Phone** 425.881.1800  
**Toll Free** USA and Canada  
800.536.1800  
**Fax** 425.883.3475

**Genie Australia Pty Ltd.**

**Phone** 1 61 7 3375 1660  
**Fax** 1 61 7 3375 1002

**Genie China**

**Phone** 86 21 53852570  
**Fax** 86 21 53852569

**Genie Malaysia**

**Phone** 604 228 1235  
**Fax** 604 226 6872

**Genie Japan**

**Phone** 81 3 3453 6082  
**Fax** 81 3 3453 6083

**Genie Korea**

**Phone** 82 2 558 7267  
**Fax** 82 2 558 3910

**Genie Africa**

**Phone** 27 11 974 6838  
**Fax** 27 11 974 6797

**Genie Latin America**

**Phone** 55 11 4055 2499  
**Fax** 55 11 713 1661

Distributed By:

## Free Manuals Download Website

<http://myh66.com>

<http://usermanuals.us>

<http://www.somanuals.com>

<http://www.4manuals.cc>

<http://www.manual-lib.com>

<http://www.404manual.com>

<http://www.luxmanual.com>

<http://aubethermostatmanual.com>

Golf course search by state

<http://golfingnear.com>

Email search by domain

<http://emailbydomain.com>

Auto manuals search

<http://auto.somanuals.com>

TV manuals search

<http://tv.somanuals.com>