

OWNER'S MANUAL

Model: GBQ440

GEORGE FOREMAN®



LP Gas Grill



IMPORTANT NOTICE

READ ALL INSTRUCTIONS PRIOR TO ASSEMBLY AND USE! The instruction manual should be retained by the consumer for future reference.

WARNING

FOR YOUR SAFETY

If you smell gas:

- 1. Shut off gas to the appliance.**
- 2. Extinguish any open flame.**
- 3. Open Lid.**
- 4. If odor continues, immediately call your gas supplier or your fire department.**

WARNING

FOR YOUR SAFETY

- 1. Do not store or use gasoline or other flammable vapors and liquids in the vicinity of this or any other appliance.**
- 2. When cooking with oil/grease do not allow the oil/grease to exceed 350° F (177° C).**
- 3. Do not store or use extra cooking oil in the vicinity of this or any other appliance.**
- 4. An LP cylinder not connected for use shall not be stored in the vicinity of this or any other appliance.**

WARNING

FOR YOUR SAFETY

- 1. Do not store spare LP cylinder within 10 feet (3 m) of this appliance.**
- 2. Do not store or use gasoline or other flammable liquids or vapors within 25 feet (8 m) of this appliance.**
- 3. Do not leave oil/grease unattended.**

WARNING
FOR YOUR SAFETY

1. Gas leaks may cause a fire or explosion, which can cause serious bodily injury or death, or damage to property.
2. You must follow all leak-checking procedures before operating this unit.
3. Never use an open flame to check for leaks.

WARNING
FOR YOUR SAFETY

1. Improper installation, adjustment, alteration, service or maintenance can cause injury or property damage.
2. Read the installation, operation, and maintenance instructions thoroughly before installing or servicing this equipment.
3. Failure to follow these instructions could result in fire or explosion, which could cause property damage, personal injury or death.

DANGER

DO NOT use gas grill for indoor cooking or heating. **TOXIC** fumes can accumulate and cause asphyxiation. **NOT** to be used in or on boats or recreational vehicles.

WARNING

Chemicals known to the state of California to cause cancer, birth defects, or other reproductive harm are created by the combustion of propane.

IMPORTANT SAFEGUARDS

WARNING: A risk of fire or explosion exists in all propane grills. Read this manual before use. Failure to follow all instructions may result in serious personal injury, property damage, or death.

When using propane grills, basic safety precautions should always be followed to reduce the risk of fire and injury to persons, including the following:

1. Read all instructions before using the grill.
2. Do not touch hot surfaces. Use handles or knobs and oven mitts or pot holders.
3. Keep children and pets away from the grill at all times.
4. This grill is not for use by children.
5. Do not leave this grill unattended while in use.
6. Do not move the grill when in use. Allow to cool before moving, putting on or taking off parts, and before cleaning and storing the grill.
7. To disconnect, turn OFF Burners and gas supply.
8. Do not operate any grill after the grill malfunctions, or has been dropped or damaged in any manner. Contact Consumer Service for return authorization, examination, repair or adjustment.
9. The use of accessory attachments not recommended by the grill manufacturer may cause injuries.
10. This grill is for outdoor use only. NEVER operate grill in enclosed areas, as this could lead to gas accumulating from a leak, causing an explosion or a carbon monoxide buildup which could result in injury or death. DO NOT USE in garages, sheds or any enclosed areas.
11. Do not use grill for other than intended use.
12. Extreme caution must be used when moving a grill containing hot oil or other hot liquids. Allow liquid to cool before removing and emptying Drip Tray.
13. Do not attempt to dislodge food or clean the grill when it is hot.
14. Fuel, such as charcoal briquettes, is not to be used with this grill.

SAVE THESE INSTRUCTIONS

**THIS GRILL IS NOT FOR COMMERCIAL USE.
FOR OUTDOOR USE ONLY.**

Additional Important Safeguards

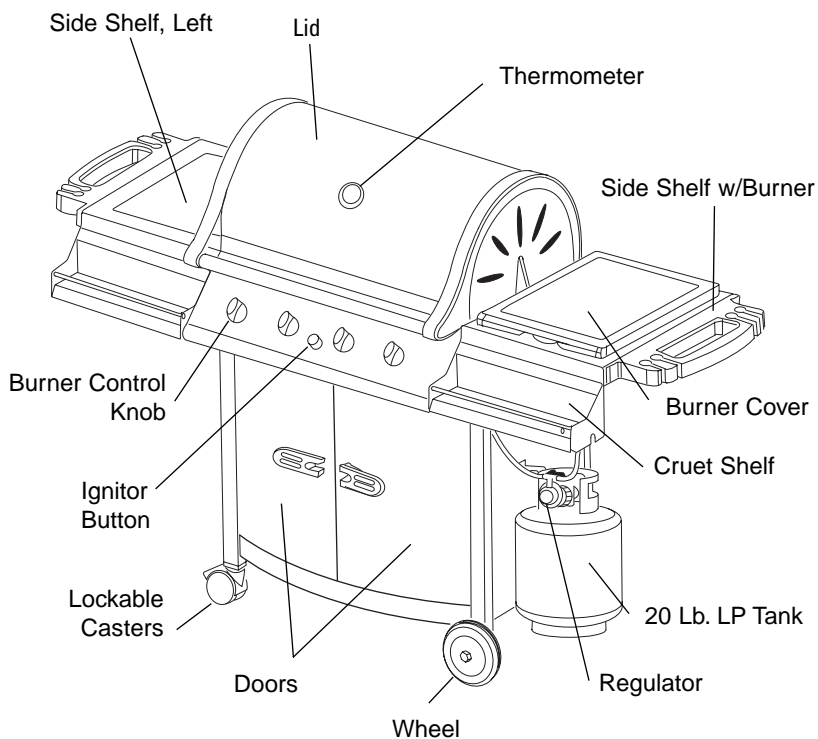
1. **CAUTION: This grill generates heat and escaping steam during use. Proper precautions must be taken to prevent the risk of burns, fires or other damage to persons or property. Use of protective oven mitts or gloves is recommended.**
2. All users of this grill must read and understand this Owner's Manual before operating or cleaning this grill.
3. When using this grill, provide adequate air space above and on all sides for air circulation. Do not allow this grill to touch clothing, dish towels or other flammable materials during use.
4. **IMPORTANT:** Minimum clearance of 18 inches around all sides of the grill should always be maintained and the appliance shall not be located under overhead unprotected combustible construction.
5. If this grill begins to malfunction during use, immediately turn the Burner Control Knobs and the Cylinder Valve to OFF. Do not use or attempt to repair the malfunctioning grill.
6. This outdoor cooking gas grill is not intended for use in or on recreational vehicles and/or boats.
7. The use of alcohol, prescription or non-prescription drugs may impair the consumer's ability to properly assemble or safely operate the grill.
8. When cooking with oil/grease, fire extinguishing materials shall be readily accessible. In the event of an oil/grease fire do not attempt to extinguish with water. Use Type BC dry chemical fire extinguisher or smother fire with dirt, sand or baking soda.
9. In the event of rain while cooking with oil/grease, turn the Burner Control Knobs and gas supply to the OFF position. Immediately close the Lid. Do not attempt to move the grill.
10. When cooking, the grill must be on a level and stable surface in an area clear of combustible materials. An asphalt surface (blacktop) may not be acceptable for this purpose.
11. The grill is not intended for and should never be used as a heater.
12. Keep grill area clear and free from combustible materials, gasoline and other flammable vapors and liquids.
13. Do not obstruct the flow of combustion and ventilation air.
14. Always open lid before lighting your grill.
15. Do not attempt to disconnect the regulator or any gas fitting while the unit is in operation.
16. Do not wear clothing with loose flowing sleeves while lighting or using the grill.
17. Use barbecue tools with long, heat-resistant handles.
18. The Grill should never face directly into the wind.
19. Do not operate Grill in a high-traffic area.
20. After use, allow Grill to cool completely before cleaning.
21. We recommend storing Grill indoors or, if unable to store indoors, always cover Grill with protective cover. Always keep out of the reach of children.

Special Instructions for the Use of Regulator and LP (Propane) Cylinders

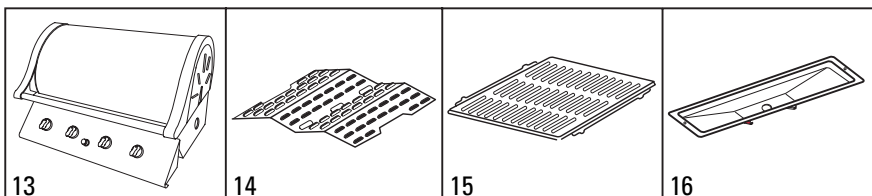
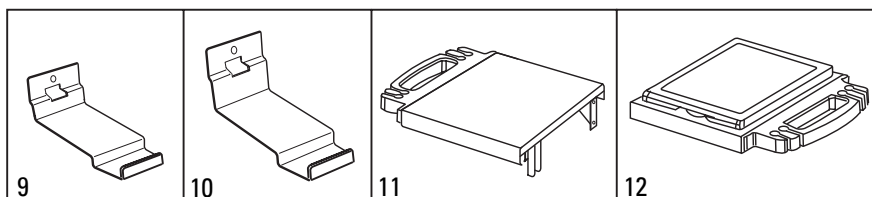
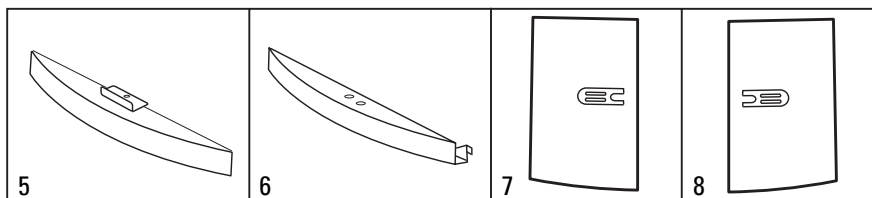
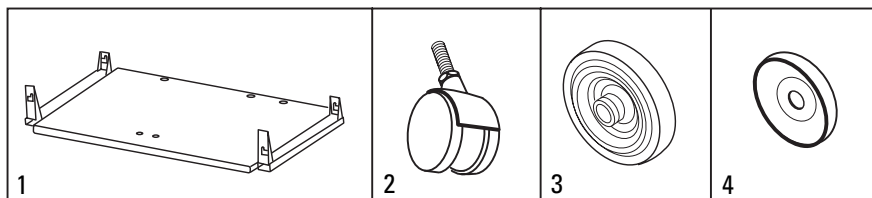
- Grill installation must conform with local codes, or in the absence of local codes, with the National Fuel Gas Code, ANSI Z223.1, Storage and Handling of Liquefied Petroleum Gases, ANSI/NFPA 58 or CSA B149.1, Natural Gas and Propane Installation Code.
- Use only 20-pound LP (propane) gas cylinders equipped with a cylinder connection device compatible with the connection for outdoor cooking appliances. Only use with the regulator/valve assembly supplied.
- Never use charcoal briquettes or lighter fluid in a gas grill.
- Discard used and empty fuel cylinder in a safe place.
- Store spare fuel cylinders in a well-ventilated area away from the grill.
- Do not puncture or burn fuel cylinders.
- Do not operate the grill if there is a gas leak present.
- Do not enlarge orifice or burner ports when cleaning the regulator and burner.
- If you smell gas, turn Burner Control Knobs to OFF to shut off gas to the grill. Extinguish any open flame and open Lid. If odor continues, immediately call your gas supplier or your fire department.
- Do not store or use gasoline or other flammable vapors and liquids in the vicinity of this or any other grill.
- An LP cylinder not connected for use shall not be stored in the vicinity of this or any other appliance.
- The LP-gas supply cylinder to be used must be constructed and marked in accordance with the specifications for LP-gas cylinders of the U.S. Department of Transportation (DOT) CFR 49 or the National Standard of Canada, CAN/CSA-B339, Cylinders, Spheres and Tubes for the Transportation of Dangerous Goods; and Commission.
- If the grill is not in use, the Burner Control Knobs must be turned to OFF. Close cylinder valve to shut off the gas supply. Storage of a grill indoors is permissible only if the cylinder is disconnected and removed from the grill. Cylinders must be stored outdoors out of the reach of children and must not be stored in a building, garage or any other enclosed area.
- The regulator may make a humming or whistling noise during operation. This will not affect safety or use of grill.
- Save cylinder cap and reinstall when not in use
- Use only licensed and experienced LP dealers.
- You may choose to replace your empty LP tank through an exchange service. Use only those reputable exchange companies that inspect, precision fill, test and certify their cylinders.

Getting To Know Your GBQ440 LP Grill

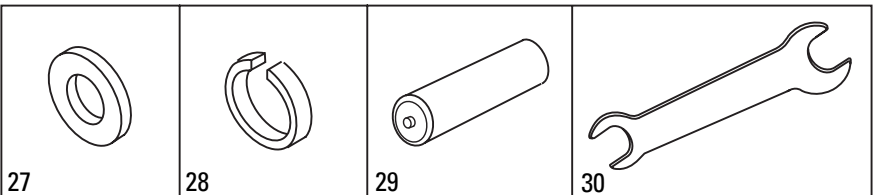
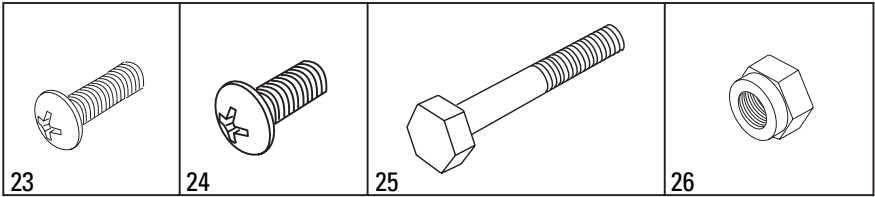
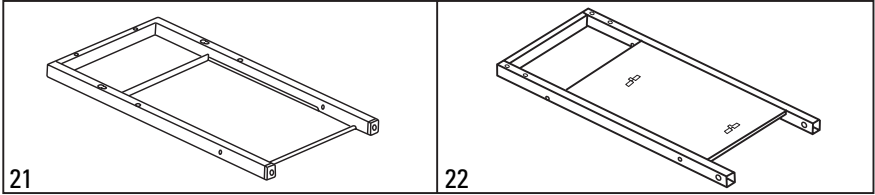
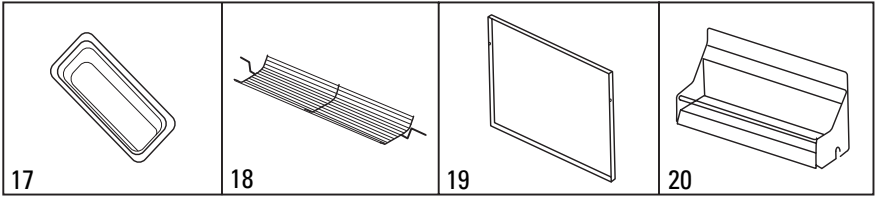
Congratulations on your purchase of the George Foreman GBQ440 LP Grill. Remove the grill and any packaging materials from the shipping carton. Carefully unpack the components. Compare each part against the **Parts List** to make sure nothing is missing or has been damaged in transit. Make sure you have all the hardware. Included in the hardware package are two special open-end wrenches that are used to tighten the Casters and Wheels.



Parts List



- | | | | |
|----|---------------------------------|-----|--|
| 1 | Base Panel (P/N 22494) | 10. | Tank Support Bracket (P/N 22502) |
| 2. | Lockable Caster (2) (P/N 22495) | 11. | Side Shelf, Left (P/N 22503) |
| 3. | Wheel (2) (P/N 22496) | 12. | Side Shelf w/Burner, Right (P/N 22504) |
| 4. | Wheel Spacer (2) (P/N 22497) | 13. | Lid and Grill Assembly (P/N 22505) |
| 5. | Lower Frame Support (P/N 22498) | 14. | Heat Plate (2) (P/N 22506) |
| 6. | Upper Frame Support (P/N 22499) | 15. | Cooking Grid (2) (P/N 22507) |
| 7. | Door, Left (P/N 22500L) | 16. | Drip Pan (P/N 22508) |
| 8. | Door, Right (P/N 22500R) | | |
| 9. | Tank Clamp Bracket (P/N 22501) | | |

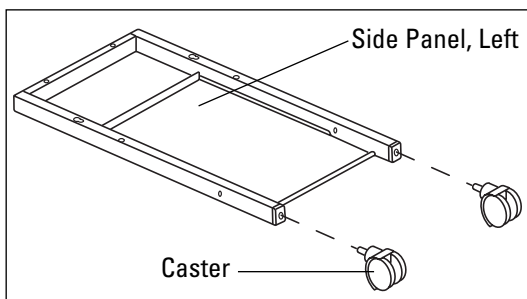


- | | |
|---------------------------------------|----------------------------------|
| 17. Drip Tray (P/N 22509) | 27. Flat Washer (25) (P/N 22517) |
| 18. Hanging Rack (P/N 22510) | 28. Lock Washer (25) (P/N 22518) |
| 19. Back Panel (P/N 225511) | 29. "AA" Battery |
| 20. Cruet Shelf (2) (P/N 22513) | 30. Wrench (2) (P/N 22519) |
| 21. Side Panel, Left (P/N 22512L) | |
| 22. Side Panel, Right (P/N 22512R) | |
| 23. Bolt, Long (19) (P/N 22515) | |
| 24. Bolt, Short (6) (P/N 22514) | |
| 25. Shoulder Bolt (2) (P/N 22520) | |
| 26. Nut, Self Locking (2) (P/N 22516) | |

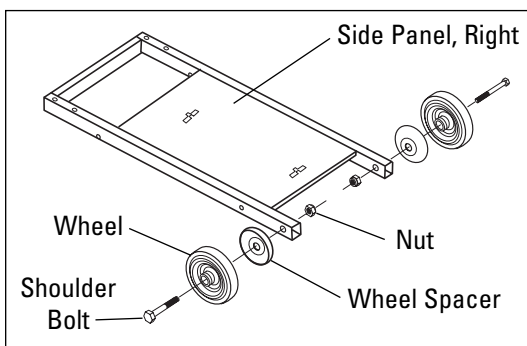
Assembly Instructions

Remove all contents from the carton and make sure all parts are present before attempting to assemble. Tighten all bolt connections by hand first, then when the grill is fully assembled, go back and tighten.

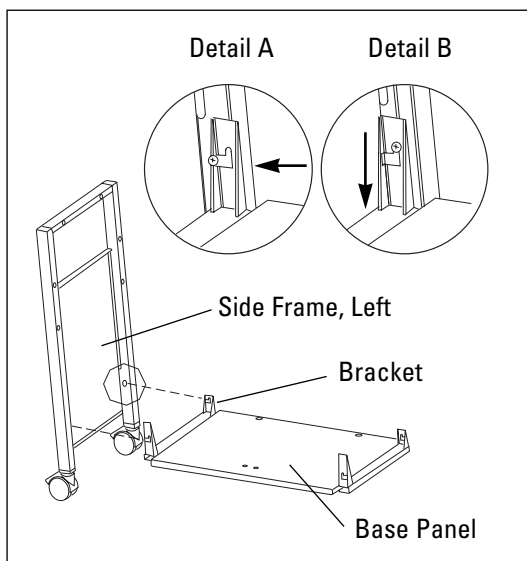
1. Attach the Lockable Casters to the left Side Panel by turning the threaded end of each caster into the holes as shown. Securely tighten using the open-end wrench provided.



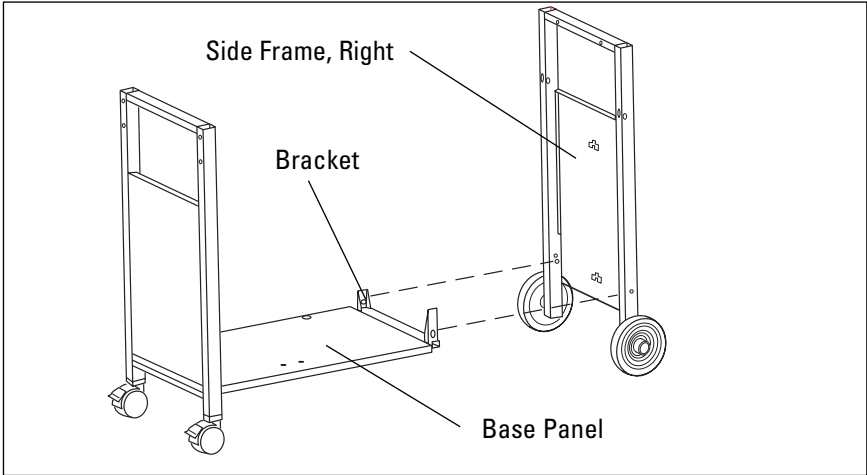
2. Attach each Wheel to the right Side Panel by inserting a Shoulder Bolt through the Wheel, Wheel Spacer and mounting hole, as shown. Secure the Wheel Assembly to the leg of the Side Panel with a Self Locking Nut. Use one of the wrenches to hold the bolt while tightening the nut with the other.



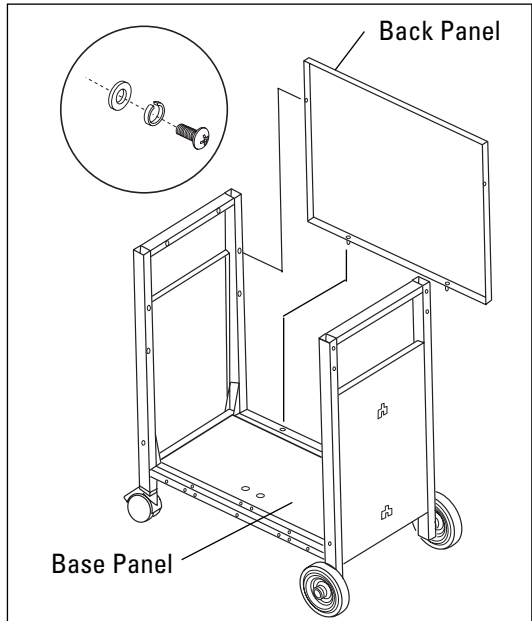
3. Attach the Base Panel to the left Side Panel, as shown, using three of the Long Bolts (two may be in panel already). Thread a Long Bolt into the upper mounting hole on the inside of the front of the Side Panel, leaving about 1/4". Hook the Base Panel brackets over the head of each Bolt as shown in Detail A. Slide the Base Panel forward (Detail A), then down, as shown in Detail B. Partially tighten each Bolt, keeping in mind that they will be securely tightened at the completion of assembly.



4. Attach the Base Panel to the right Side Panel, as shown, using three Long Bolts (two may be in panel already), following the same procedure outlined in step 3.



5. Slide the Back Panel into position between both Side Panels, engaging the pins on the bottom of the Back Panel with the entry holes on the Base Panel. Align the mounting holes in the Back Panel and the Side Panels. Secure in place with two Short Bolts, Lock Washers and Flat Washers, as shown.

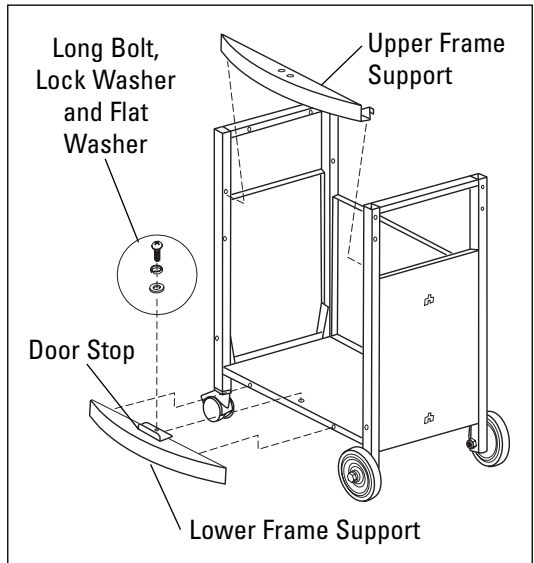


Assembly Instructions (cont)

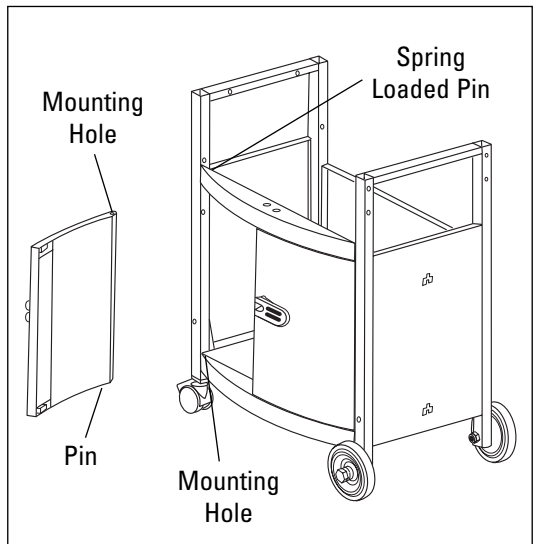
6. Attach the Upper Frame Support to the front of the cart, as shown (with screw holes on top). Secure both ends in place with a Short Bolt, Lock Washer and Flat Washer.

Attach the Lower Frame Support to the cart by inserting the extension knobs into the mounting holes. Slide the Lower Frame Support down to lock it in place. Pin on Support must meet with keyhole slot in side rails.

Secure the Door Stop in place with a Long Bolt, Lock Washer and Flat Washer as shown.



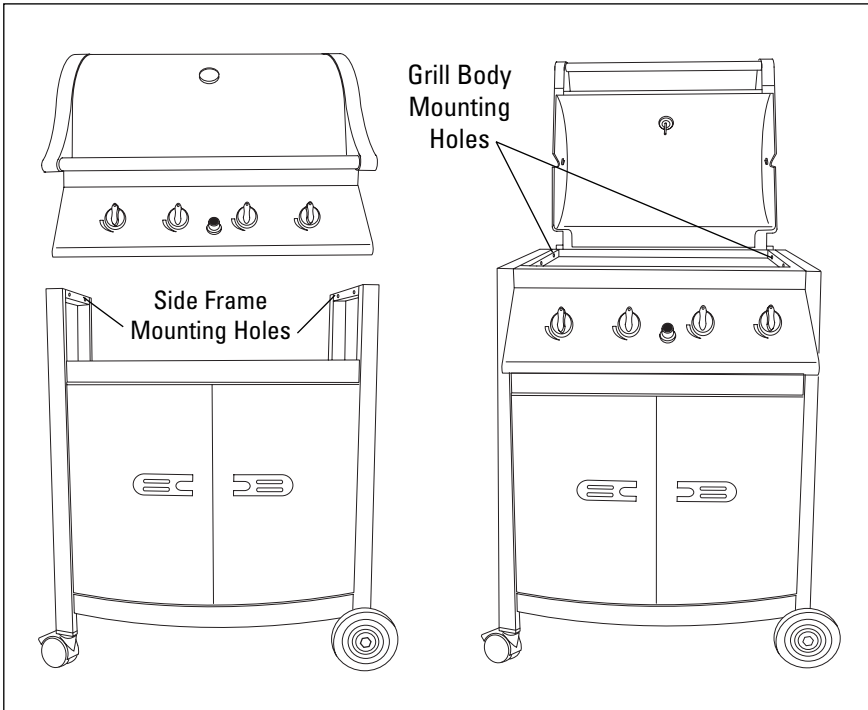
7. On the bottom hinge-side of each door is a pin that extends about 1/2". The top hinge-side contains a mounting hole. The Upper Frame Support contains a spring-loaded pin, one at each end of the Support. The Base Panel contains mounting holes designed to accept the pins on the lower end of the Doors. Attach the right door by Inserting the hinge pin at the bottom of the Door into the mounting hole in the Base Panel. Raise the spring-loaded pin in the Upper Frame Support, align the mounting hole in the top of the Door and release the spring-loaded pin to secure the Door in place. Repeat this procedure with the left Door.



8. At this point, securely tighten all the hardware. The cart is now fully assembled and ready to accept the Lid and Grill Assembly.

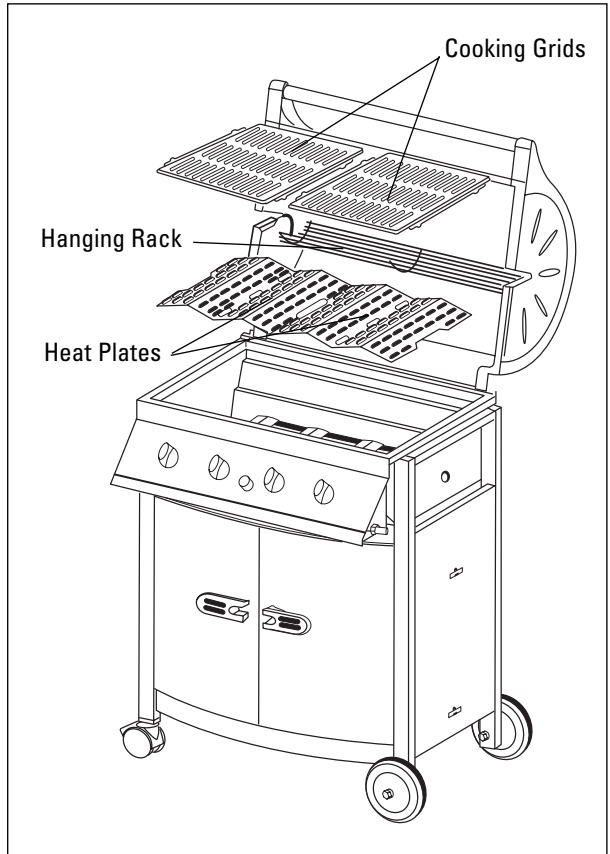
9. **Note: Lifting and positioning the Lid and Grill Assembly requires two people.**

Carefully lift the Lid and Grill assembly into place on top of the cart, taking care not to pinch ignitor lead from right burner. Raise the Lid, align the mounting holes inside the grill body with the mounting holes on the left and right Side Panels of the cart assembly. Secure in place with a Long Bolt, Lock Washer and Flat Washer at all four locations, however, do not tighten until after step 13.

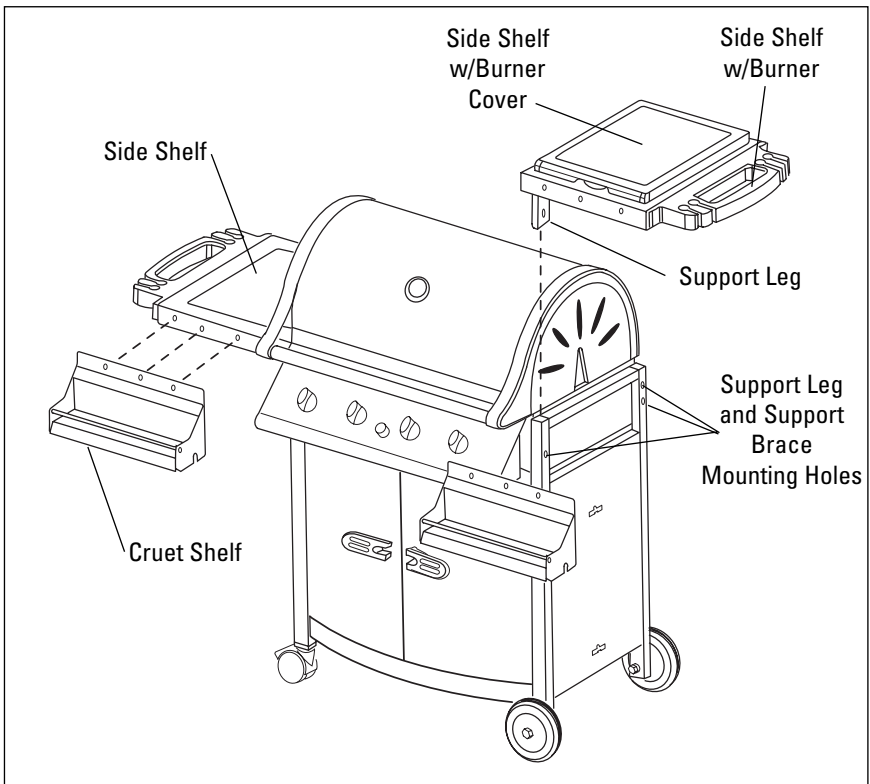


Assembly Instructions (Cont.)

10. Place the Heat Plates over the burners; allowing them to securely rest on the lower ledge, side by side, as shown.
11. Place the Cooking Grids over the Heat Plates; allowing them to securely rest on the upper ledge, side by side, as shown.
12. Insert the hooks on the Hanging Rack into the brackets inside the Lid.

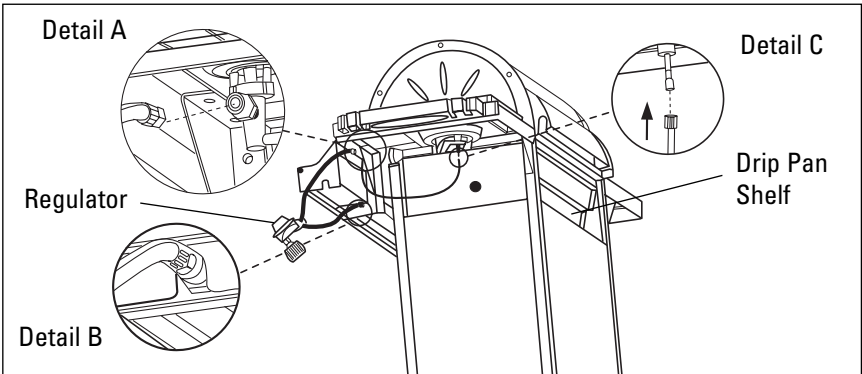


13. Each Side Shelf has a support leg at the front and a support brace at the back. Position the left Side Shelf above the left Side Panel. Lower the Side Shelf and insert the support leg into the opening on the top-front of the left Side Panel. Align the mounting holes in the support leg and brace with the mounting holes in the Side Panel and securely fastened with Long Bolts Lock Washers, and Flat Washers. Repeat this procedure with the Right Side Shelf w/Burner. Tighten all screws from Grill and Lid Assembly.
14. Attach one of the Cruet Shelves to the left Side Shelf. This is accomplished by aligning the notch in the end of the shelf over the support rod located at the left side of the control panel. Rotate the Cruet Shelf up, sliding its top edge behind the front edge of the Side Shelf. Secure with Long Bolts, Lock Washers and Flat Washers. Repeat this procedure to attach the other Cruet Shelf to the Side Shelf w/Burner.



Assembly Instructions (Cont.)

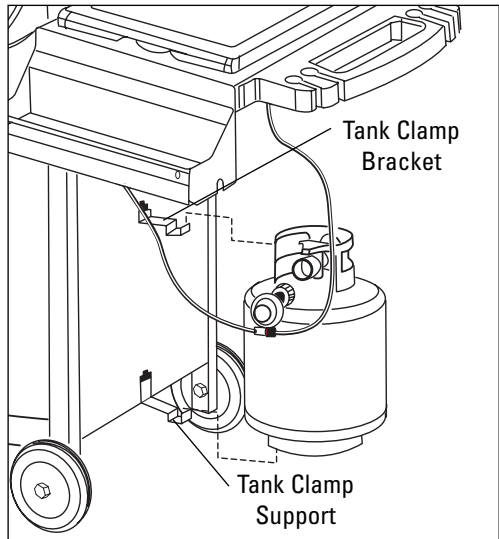
15. Insert the Drip Pan into the back of the Grill then insert the Drip Tray into slots beneath the Drip Pan. See view below.
16. Attach one end of the regulator gas line to the fitting that feeds the Side Shelf Burner, see Detail A. Attach the other line to the fitting that feeds the four burners in the Grill, see Detail B. Make sure the fittings are tight. Refer to the **Leak Test** section in this manual and be sure to follow all the steps. Connect the Ignitor wire to the Ignitor beneath the burner, as shown in Detail C, by simply pushing it on to the crimped end of the Ignitor.



17. Install the AA Battery into the Ignitor. Unthread the Ignitor Button Assembly on the front of the Control Panel, drop in the battery, negative end down, then screw on the Ignitor Button Assembly

18. Fasten the Tank Clamp Bracket (short) to the upper position and the Tank Support Bracket to the lower position by inserting the top end of each Bracket into the access slots in the right Side Panel and securing them in place with Short Bolts, Lock Washers and Flat Washers.

19. Hang the 20 pound LP cylinder on the Brackets and connect the regulator to the tank. Tighten securely by hand.



Attaching LP Gas Cylinder

The LP-gas supply cylinder to be used must be constructed and marked in accordance with the Specifications for LP-gas Cylinders of the US Department of Transportation (DOT) or the National Standard of Canada, CAN/CSA-B339, Cylinders, Spheres, and Tubes for the Transportation of dangerous Goods; and Commission. Only Cylinders with a listed overfilling prevention device (OPD) will have valve handles with three "lobes" (prongs). Only use 20-pound cylinders equipped with a cylinder connection device compatible with the connection for out door cooking appliances. The cylinder must include a collar to protect the cylinder valve. Blue gas cylinder should not be dropped or handled roughly! If the appliance is not in use, the gas cylinder must be disconnected. Storage of an appliance indoors is permissible only if the cylinder is disconnected and removed from the appliance. Cylinders must not be stored in a building, garage, or and enclosed area. Your cylinder must never be stored where temperatures can reach over 125°F! Before connecting, be sure that there is no debris caught in the head of the gas cylinder, head of the regulator valve, or in the head of the burner and burner ports. Connect regulator valve and hand-tighten firmly. Disconnect the propane cylinder from the regulator valve when the grill is not in use. DO NOT obstruct the flow of combustion air and ventilation air to the grill.

Leak Test

Safety Precautions:

- **Test all gas connections for leaks before using your propane grill.**
 - **Test for leaks every time you connect the gas supply.**
 - **Do not smoke while checking for leaks.**
 - **DANGER - Do not use an open flame to check for gas leaks. Be sure there are no sparks or open flames in the area while you check for leaks. This will result in a fire or explosion which can cause serious bodily injury or death, and damage to property.**
 - **Test for leaks outdoors in a well ventilated area.**
1. Mix a couple tablespoons of liquid detergent with an equal amount of water. Use mild soap and water. DO NOT USE HOUSEHOLD CLEANING AGENTS.
 2. Be sure that all the Burner Control Knobs are in the OFF position and the gas cylinder is open.
 3. Use a clean paint brush to brush soapy solution onto connection between gas cylinder and Regulator orifice, and watch for bubbles.
 4. If bubbles form or if a bubble grows, there is a leak. Retighten connection and repeat steps (2) and (3).

NOTE: If you cannot stop a leak, remove gas cylinder and check for damaged threads, dirt and debris at the connection and gas cylinder. Also check to see if anything is obstructing flow of gas at the connection and gas cylinder openings. Remove any obstruction that may be found and repeat leak test.

How To Use the George Foreman® GBQ440 Propane Grill

Lighting Burner with Ignitor:

1. Open the Lid or raise the Side Shelf Burner Cover before lighting. Attempting to light the Grill burners with the Lid down or the Side Shelf Burner with the Cover closed may cause an explosion! Make sure there are no obstructions of airflow to the gas unit. Spiders and insects can nest within and clog the burner/venturi tube at the orifice. A clogged burner tube can lead to a fire beneath the appliance.
2. All Burner Control Knobs must be in the OFF position.
3. Turn on gas at the cylinder.
4. Push down and turn the left-center and right-center Burner Control Knobs counterclockwise to HIGH.
5. Press and hold the Ignitor Button to light the burners.
6. If ignition does not occur in five seconds, turn all open Burner Control Knobs clockwise to the OFF position. Wait five minutes and repeat lighting procedure. If ignition still does not occur, use a match through hole located on Right Side Panel of the Grill.

Important: Light both CENTER burners FIRST! Once burner is lit, the burner next to it will light by turning its Burner Control Knob to HIGH. Never light the outside burners unless the two center burners are lit. Since the Side Shelf Burner has just one burner, no such sequential precautions exist.

After lighting, please observe the burner flames; make sure all burner ports are lit. If burner flames go out during operation, immediately turn the gas off and open Lid to let the gas clear for about 5 minutes before re-lighting.

Before cooking on this grill for the first time, light and set all four burners on HIGH and operate for about 15 minutes with the Lid closed. This will "heat clean" the internal parts and dissipate odor from the manufacturing processes and painted finish. DO NOT, however, operate the Side Shelf Burner with the Cover closed at any time!

Grilling Instructions:

1. Light burners and turn all Burner Control Knobs from HIGH to LOW. Make sure all burners are lit.
2. **To preheat the Grill:** Close the Lid and preheat on HIGH for 8 minutes. After the 8 minute preheat period, carefully open the Lid and place food onto the Grill Plate. Cook until done, turning at least once halfway through cooking time for most foods. Adjust flames with Burner Control Knob as needed.
CAUTION: Condensation may collect on the inside of the Lid when cooking. Use caution when opening Lid.
3. When finished cooking, or when the propane cylinder is empty, turn all Burner Control Knobs to the OFF position and close the propane cylinder.
4. Allow the Grill to cool before disassembling and cleaning.
5. When cool, the Drip Tray may be removed and emptied. **Be sure the liquid has cooled before removing Drip Tray.**

Instructions For Cleaning

CAUTION: Grill surfaces become hot during use. Allow all parts to cool completely before handling and cleaning.

1. Turn the Burner Control Knobs to the OFF position and allow the Grill to cool before disassembling and cleaning.
2. Remove and empty the Drip Tray.
3. Wash the Cooking Grids, Heat Plates, Drip Pan and Drip Tray with warm, soapy water and, if necessary, a plastic scouring pad. Rinse and dry thoroughly. Do not use steel wool, coarse scouring pads or harsh or abrasive cleaners. If necessary, use a nylon bristle brush to loosen hardened food particles.
4. Wash exterior parts with a soft sponge and warm clear water. Non-abrasive cleaners may also be used. Be sure to scrub with the grain direction of the stainless steel.
5. Use a damp cloth to clean the inside of the Lid and Grill Body.

Cleaning the Side Shelf Burner Assembly

IMPORTANT: Clean the burner assembly prior to use after storing, at the beginning of the grilling season or an inactive period of one month. Spiders and insects like to build nests in burner tubes, especially during colder months. The nests can cause fires in burner tubes or under grill.

In order to clean the inside of the burner tube, the Side Shelf Burner Assembly must be removed from the Grill.

1. Make sure the gas cylinder has been turned OFF. Disconnect the gas line from the Regulator to the Burner then disconnect the Ignitor Wire from the Ignitor. DO NOT pull on the wire itself. Grasp the crimped end of the connector and gently pull straight down to disconnect.
2. Raise the Side Shelf Burner cover. Remove the cast iron cooking grate and the brass diffuser from the center of the burner. Inspect the diffuser and clean it as needed.
3. Remove the three mounting Bolts, Lock Washers and Flat Washers that secure the Side Shelf to the grill. Lift the Side Shelf up and away from the grill then set the assembly upside down on a clear, stable working surface.
4. Two small screws, lock washers and flat washers are used to secure the burner to the Side Shelf. Remove the screws and washers. Lift the burner from the Side Shelf. Inspect both ends of the burner and clean it as needed.
5. Carefully reassemble the Burner Assembly, making sure the mounting screws are tight, all parts have been properly reassembled and the Ignitor Wire has been reconnected to the Ignitor.
6. Clean the outside of the Side Shelf Burner assembly with a paper towel or damp sponge

Storing Your Propane Grill

1. Cover Grill if stored outdoors. Store Grill indoors only if the propane cylinder is turned off and disconnected, removed from Grill and stored outdoors in a well-ventilated space and out of the reach of children.
2. When removing Grill from storage, follow the ***Cleaning the Side Shelf Burner Assembly*** instructions before starting the Grill.

Any service requiring disassembly other than the above cleaning must be performed by an authorized appliance repair technician. Do **NOT** ship gas cylinder if product needs service or repair.

LIMITED ONE YEAR WARRANTY

Warranty: This product is warranted by Salton, Inc. to be free from defects in materials or workmanship for a period of (1) year from the original purchase date. This product warranty covers only the original consumer purchaser of the product.

Warranty Coverage: This warranty is void if the product has been damaged by accident in shipment, unreasonable use, misuse, neglect, improper service, commercial use, repairs by unauthorized personnel, normal wear and tear, improper assembly, installation or maintenance abuse or other causes not arising out of defects in materials or workmanship. This warranty is effective only if the product is purchased and operated in the USA, and does not extend to any units which have been used in violation of written instructions furnished with the product or to units which have been altered or modified or to damage to products or parts thereof which have had the serial number removed, altered, defaced or rendered illegible.

Implied Warranties: ANY IMPLIED WARRANTIES WHICH THE PURCHASER MAY HAVE ARE LIMITED IN DURATION TO ONE (1) YEAR FROM THE DATE OF PURCHASE. Some states do not allow limitations on how long an implied warranty lasts, so the above limitation may not apply to you.

Warranty Performance: During the above One (1) Year Warranty period, a product with a defect will be either repaired or replaced with a reconditioned comparable model (at our option) when the product is returned to the Repair Center. The repaired or replacement product will be in warranty for the balance of the One (1) Year warranty period and an additional one-month period.

Service and Repair: Should the appliance malfunction, you should first call toll-free 1 (800) 937-3883 between the hours of 9:00 am and 5:00 pm Central Standard Time and ask for CONSUMER SERVICE stating that you are a consumer with a problem. Please refer to model number GBQ440 when you call.

Out-of Warranty Service: A flat rate charge by model is made for out-of-warranty service. Call Consumer Service for instructions, toll-free 1-(800) 937-3883.

To contact us, please write to, call, or email:

Salton, Inc.
P.O. Box 1526
Columbia, MO 65205-1526
1 800 937-3883
Email: Salton@Saltonusa.com

Limitation of Remedies: No representative or person is authorized to assume for Salton, Inc. any other liability in connection with the sale of our products.

There shall be no claims for defects or failure of performance or product failure under any theory of tort, contract or commercial law including, but not limited to negligence, gross negligence, strict liability, breach of warranty and breach of contract. Repair, replacement or refund shall be the sole remedy of the purchaser under this warranty, and in no event shall Salton be liable for any incidental or consequential damages, losses or expenses. Some states do not allow the exclusion or limitation of incidental or consequential damages, so the above limitation or exclusion may not apply to you.

Legal Rights: This warranty gives you specific legal rights, and you may also have other rights which vary from state to state.

George Foreman® is a registered trademark of Salton, Inc.

For more information on Salton products: Visit our website: www.eSalton.com

© 2004 Salton, Inc. All Rights Reserved

P/N 61473

Made in China

3/04

Free Manuals Download Website

<http://myh66.com>

<http://usermanuals.us>

<http://www.somanuals.com>

<http://www.4manuals.cc>

<http://www.manual-lib.com>

<http://www.404manual.com>

<http://www.luxmanual.com>

<http://aubethermostatmanual.com>

Golf course search by state

<http://golfingnear.com>

Email search by domain

<http://emailbydomain.com>

Auto manuals search

<http://auto.somanuals.com>

TV manuals search

<http://tv.somanuals.com>