

GPS-3A

- *2 AMP DC power supplies
- *Box Size : 225(H)*244(W)*86(D)mm
- *Specify Out put: 8~16V DC
- *Specify Input:120Vac(or 230V AC)
- *Filtered & regulated DC output
- *Short Circuit protection
- *Build-in backup battery Charger for Uninterruptible
- *LED indicates power supply status



PSU-100



- *UL Listed for US and Canada
- *2 AMP DC power supplies
- *Box Size : 210(H)*220(W)*80(D)mm
- *Specify Out put: 12V DC
- *Specify Input:120Vac(or 230V AC)
- *Filtered & regulated DC output
- *Short Circuit protection
- *Build-in backup battery Charger for Uninterruptible



PSU-100

- *2 AMP DC power supplies
- *Box Size : 210(H)*220(W)*80(D)mm
- *Specify Out put: 12V DC
- *Specify Input:120Vac(or 230V AC)
- *Filtered & regulated DC output
- *Short Circuit protection
- *Build-in backup battery Charger for Uninterruptible

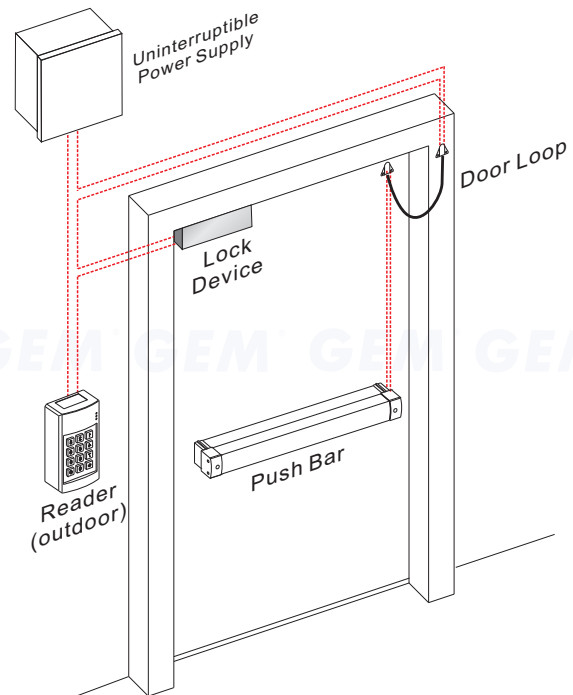
● Features

Gianni power supplies are housed in a robust, compact wall mounted steel fabricated case with lift-off hinged front panel. In the event of a mains power failure, standby power is automatically provided from battery charging output. The models are consisted a simple output and a built-in adjustable timer module (**PSU-200**)for application of door relocking on fail safe (Power to lock) or fail secure (power to unlock) locking devices.



PSU-200

- *2 AMP DC power supplies
- *Box Size : 210(H)*220(W)*80(D)mm
- Adjustable Timer module: 1~30 seconds
- *Specify Out put: 8~16V DC
- *Specify Input:120Vac(or 230V AC)
- *Filtered & regulated DC output
- *Short Circuit protection
- *Build-in backup battery Charger for Uninterruptible



GIANNI INDUSTRIES, INC.



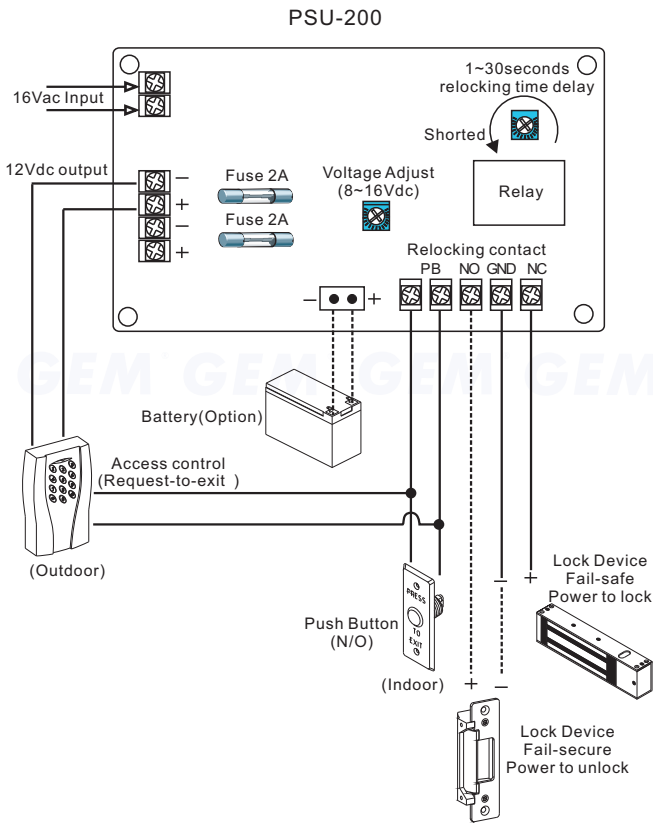
No. 13, Zhong Sing Road, Tu-Cheng Industrial Zone,
 Tu-Cheng City, Taipei, Taiwan 23678
 Tel: 886-2 2267 7986 / Fax: 886-2 2267 9876
 E-Mail: info@gianni.com.tw
 Website: gianni.tw
 Copyright 2008 Gianni industries, inc. All rights reserved.
 DM-CA-GPS Ver. C Published on 2008.05.16



The products are manufactured under an ISO 9001 & QC 080000 Certified Quality Management Program environment back its product quality, performance and commitment to customer satisfaction.

Connecting Diagram

Optional Accessories



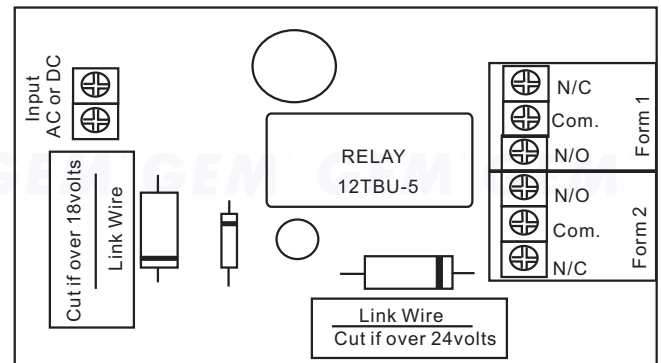
DBR-200 Relay Module

An exceptionally versatile version of the DBR-200 relay module, The DBR-200 will operate on AC Voltages ranging from 8 volts to 30 volts and will also work satisfactorily on DC voltages from 11 volts to 30 volts. The DBR-200 Relay module is worked when power input then contacts will change over from N/C (Normally Close) to N/O (Normally Open)

Supply Voltage: 8 ~ 30 Vac
11 ~ 30 Vdc

Current at 12 Volts: 45mAmps

Double Pole Charge Over
Contacts Rated at: 5 amps at 24oVac
5 amps at 30 Vdc



Warranty

The product is warranted against defects in material and workmanship while used in normal service for a period of 1 year from the date of sale to the original customer. The GEM policy is one of continual development and improvement; therefore GEM reserves the right to change specifications without notice.

GIANNI INDUSTRIES, INC.



No. 13, Zhong Sing Road, Tu-Cheng Industrial Zone,
Tu-Cheng City, Taipei, Taiwan 23678
Tel: 886-2 2267 7986 / Fax: 886-2 2267 9876
E-Mail: info@gianni.com.tw
Website: gianni.tw
Copyright 2008 Gianni industries, inc. All rights reserved.
DM-CA-GL-1200S Ver. C Published on 2008.05.12



The products are manufactured under an ISO 9001 & QC 080000 Certified Quality Management Program environment back its product quality, performance and commitment to customer satisfaction.

Free Manuals Download Website

<http://myh66.com>

<http://usermanuals.us>

<http://www.somanuals.com>

<http://www.4manuals.cc>

<http://www.manual-lib.com>

<http://www.404manual.com>

<http://www.luxmanual.com>

<http://aubethermostatmanual.com>

Golf course search by state

<http://golfingnear.com>

Email search by domain

<http://emailbydomain.com>

Auto manuals search

<http://auto.somanuals.com>

TV manuals search

<http://tv.somanuals.com>