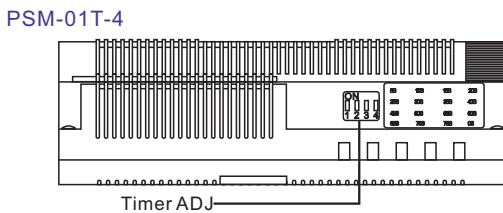
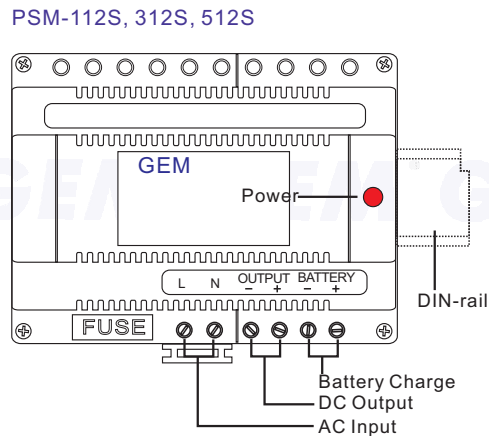
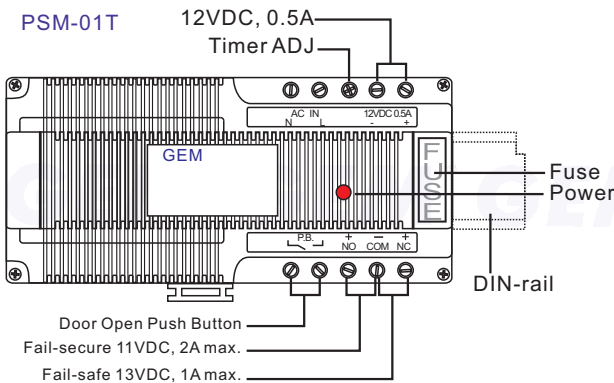




DIN-Rail

### Specifications

Model	Input	Output	Battery Charge	Power	Timer Delay	Fuse	Weight Size
PSM-01T-4	110 (or 230) VAC	Regulated :12VDC 0.5A Output 2 :11VDC 2A	×	24W	0~75 seconds	T0.35AL 250V	157*94*66 mm 1 Kg
PSM-01T	110 (or 230) VAC	Regulated :12VDC 0.5A Output 2 :11VDC 2A	×	24W	0~60 seconds	T0.35AL 250V	157*94*66 mm 1 Kg
PSM-02	110 (or 230) VAC	12VDC 2A 12VAC 0.5A	×	24W	0~60 seconds	T0.63AL 250V	157*94*66 mm 950 g
PSM-112S	100~240 VAC	13.8VDC 1A	14.5VDC / 280mA	13.8W	×	T1AL 250V	123*100*68 mm 250 g
PSM-312S	100~240 VAC	13.8VDC 3A	14.5VDC / 280mA	41.4W	×	T2AL 250V	123*100*68 mm 340 g
PSM-512S	100~240 VAC	13.8VDC 4.35A	14.5VDC / 280mA	60W	×	T3.15AL 250V	123*100*68 mm 354 g



Jumper setting =    Protect (default)  
   Not Protect

- Ripple: Less Than 14mV
- Line Regulations: 5%
- Load Regulations: 5%



### Warranty

The product is warranted against defects in material and workmanship while used in normal service for a period of 1 year from the date of sale to the original customer. The GEM policy is one of continual development and improvement; therefore GEM reserves the right to change specifications without notice.

### GIANNI INDUSTRIES, INC.

No. 13, Zhong Sing Road, Tu-Cheng Industrial Zone,  
 Tu-Cheng City, Taipei, Taiwan 23678  
 Tel: 886-2 2267 7986 / Fax: 886-2 2267 9876  
 E-Mail: info@gianni.com.tw  
 Website: gianni.tw  
 Copyright 2008 Gianni industries, inc. All rights reserved.  
 DM-CA-PSM Ver. C Published on 2008.05.16



The products are manufactured under an ISO 9001 & QC 080000 Certified Quality Management Program environment back its product quality, performance and commitment to customer satisfaction.

## Free Manuals Download Website

<http://myh66.com>

<http://usermanuals.us>

<http://www.somanuals.com>

<http://www.4manuals.cc>

<http://www.manual-lib.com>

<http://www.404manual.com>

<http://www.luxmanual.com>

<http://aubethermostatmanual.com>

Golf course search by state

<http://golfingnear.com>

Email search by domain

<http://emailbydomain.com>

Auto manuals search

<http://auto.somanuals.com>

TV manuals search

<http://tv.somanuals.com>