

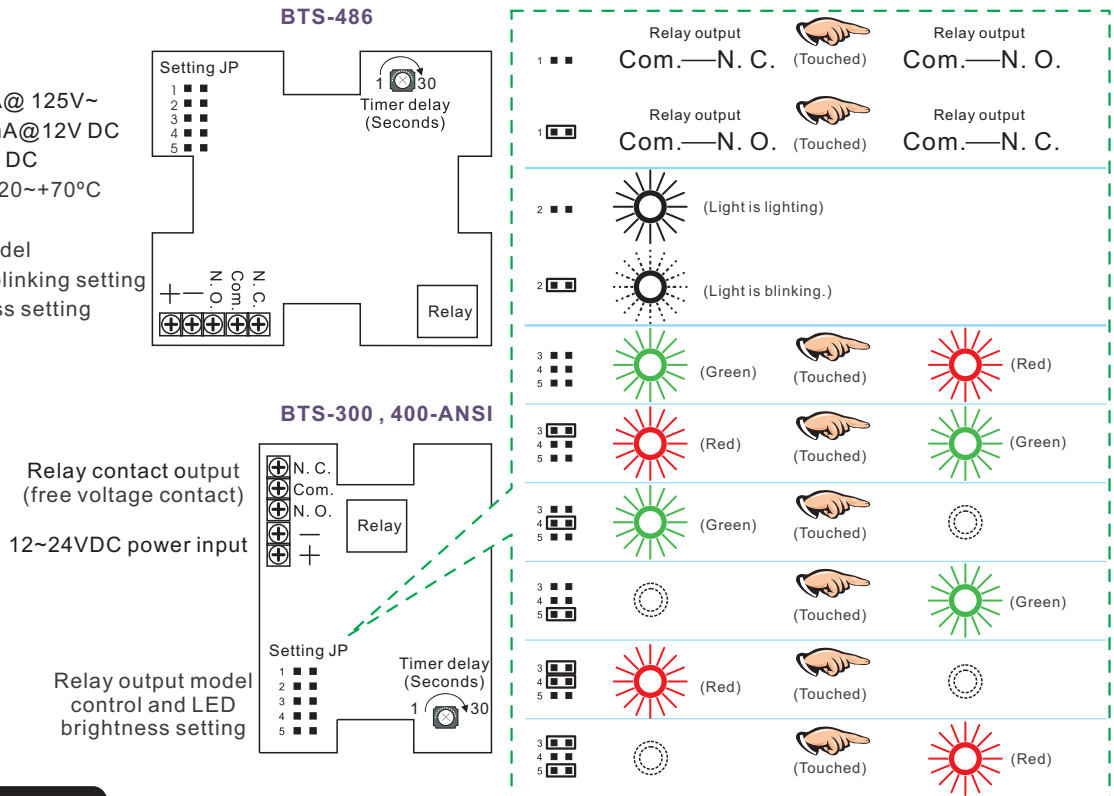
BTS Touch Sensitive Switch Installation Instruction

Specifications

Specifications

- SPDT relay rating: 3A@ 125V~
- Current: 60mA~100mA@12V DC
- Power input :12~24 V DC
- Operating Temper.: - 20~+70°C
- JP setting:

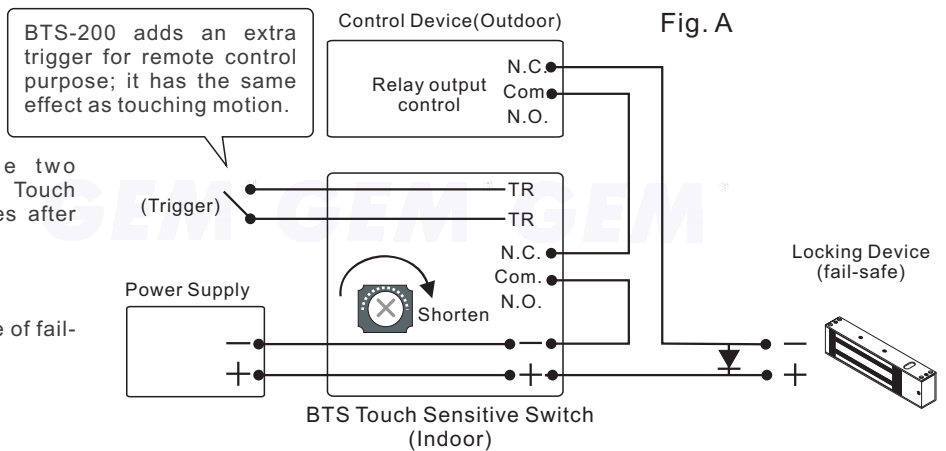
JP1: Relay output model
 JP2: LED lighting or blinking setting
 Jp3~5: LED brightness setting



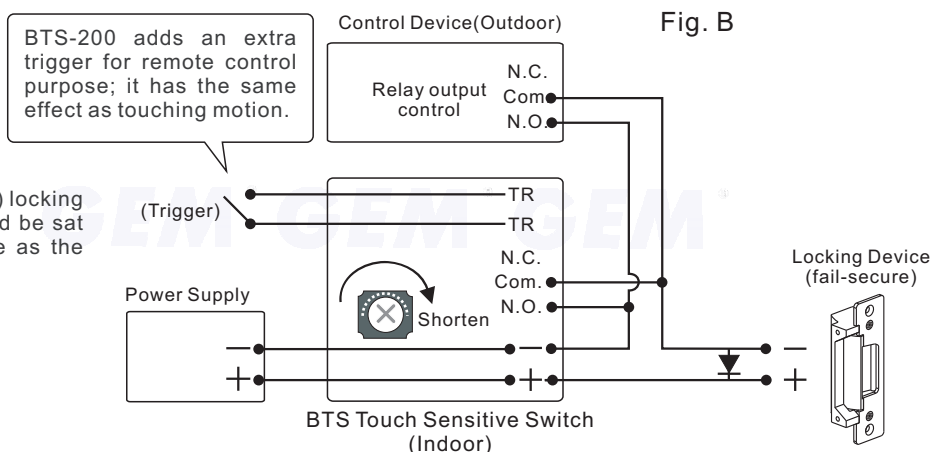
Connecting Diagram

The diagrams below illustrate the two recommended ways of installing the BTS Touch Sensitive Switch and access control devices after power input (power on).

In Fig. A, BTS directly controls the release of fail-safe(Power to Lock) locking device.



In Fig. B, For fail-secure(Power to Unlock) locking devices the contact on control device should be sat to N.O. The relay time of BTS is the same as the release time of locking device in both cases.



IMPORTANT NOTICE:

1. It is important to take extra notice on the maximum voltage and current output that the rated of relay contact to be used.
2. Make sure that the "+" and "-" wire are connected correctly.

Free Manuals Download Website

<http://myh66.com>

<http://usermanuals.us>

<http://www.somanuals.com>

<http://www.4manuals.cc>

<http://www.manual-lib.com>

<http://www.404manual.com>

<http://www.luxmanual.com>

<http://aubethermostatmanual.com>

Golf course search by state

<http://golfingnear.com>

Email search by domain

<http://emailbydomain.com>

Auto manuals search

<http://auto.somanuals.com>

TV manuals search

<http://tv.somanuals.com>