



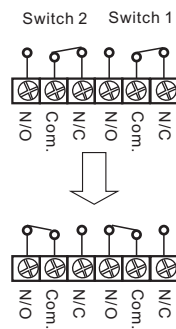
● Statement

The CP-21 series call point, with double pole change over contacts from N/C to N/O. The main function is to override the electrical locking/release devices in case of emergency. With Key to replace glass or reset unit.

● Specifications

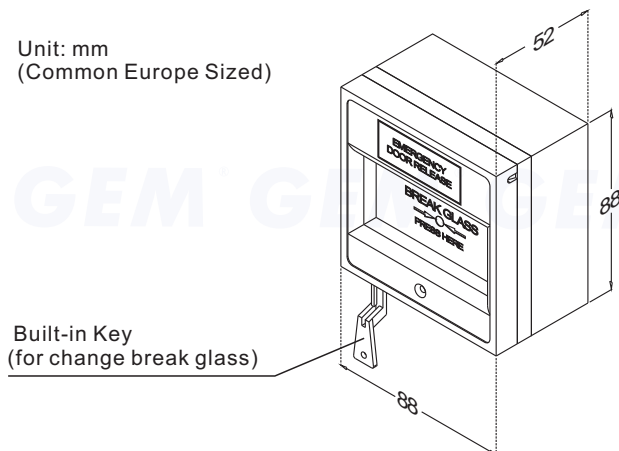
Dimensions: 88x88x52 mm
Contact Resistance: 150m
Switch rated: 3A@125V~

No need to power in. It has a double pole switch for monitoring in case of emergency when glass is broken; the contacts change from N/C to N/O..

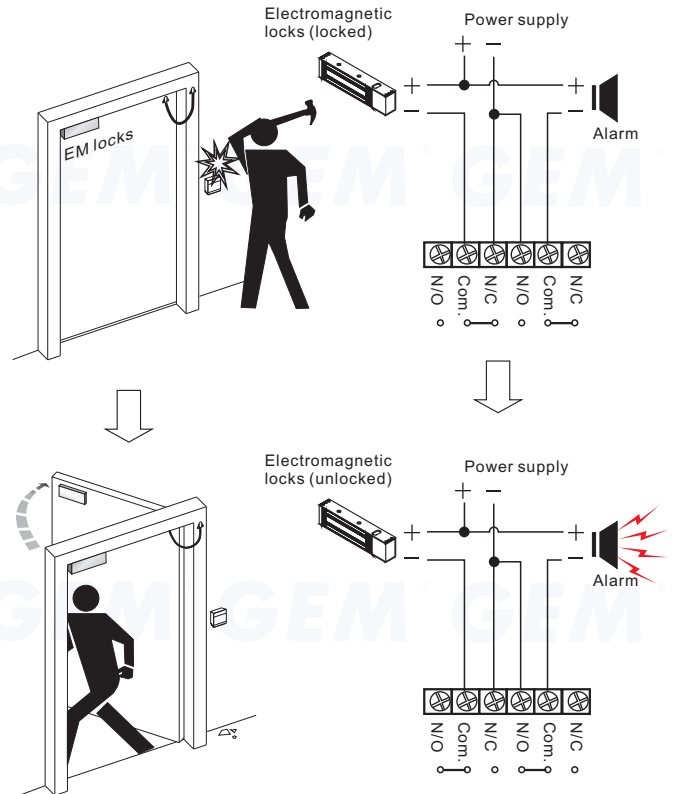


● Dimension

Unit: mm
(Common Europe Sized)



● Application



● Warranty

The product is warranted against defects in material and workmanship while used in normal service for a period of 1 year from the date of sale to the original customer. The GEM policy is one of continual development and improvement; therefore GEM reserves the right to change specifications without notice.

GIANNI INDUSTRIES, INC.

No. 13, Zhong Sing Road, Tu-Cheng Industrial Zone,
Tu-Cheng City, Taipei, Taiwan 23678
Tel: 886-2 2267 7986 / Fax: 886-2 2267 9876
E-Mail: info@gianni.com.tw
Website: gianni.tw

Copyright © 2008 Gianni industries, inc. All rights reserved.
DM-CA-CP-21-22 Ver. C Published on 2008.04.29



The products are manufactured under an ISO 9001 & QC 080000 Certified Quality Management Program environment back its product quality, performance and commitment to customer satisfaction.



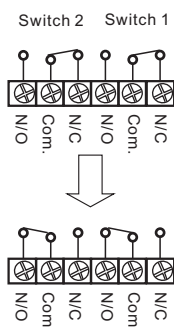
Statement

The CP-22 series call point, with double pole change over contacts from N/C to N/O. The main function is to override the electrical locking/release devices in case of emergency. With Key to reset unit.

Specifications

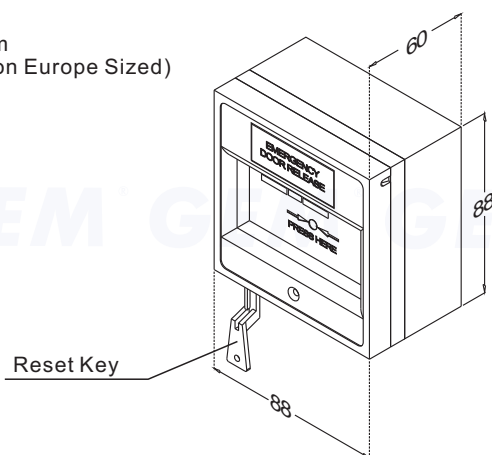
Dimensions: 88x88x60 mm
Contact Resistance: 150m
Switch rated: 3A@125V~

No need to power in. It has a double pole switch for monitoring in case of emergency when pressed on the front face of the unit; the contacts change from N/C to N/O.

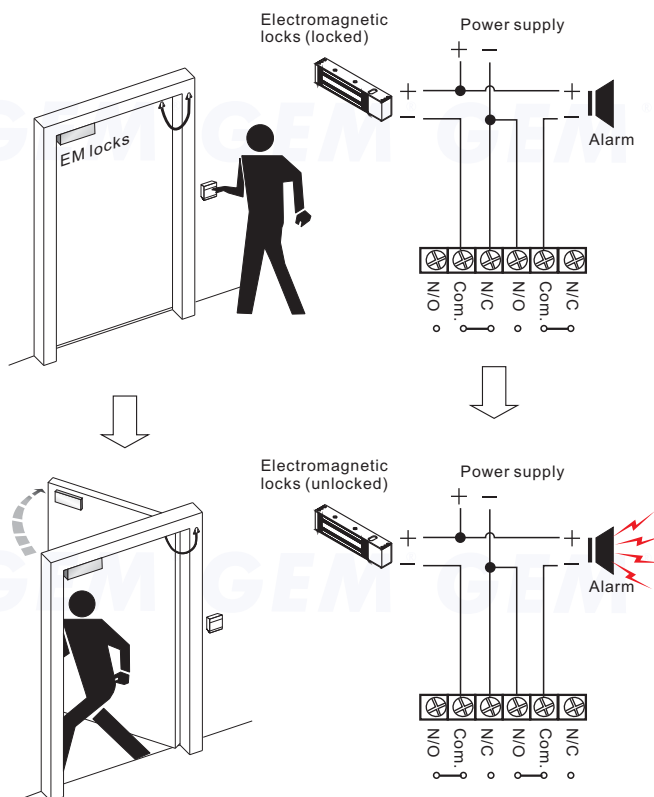


Dimension

Unit: mm
(Common Europe Sized)



Application



Warranty

The product is warranted against defects in material and workmanship while used in normal service for a period of 1 year from the date of sale to the original customer. The GEM policy is one of continual development and improvement; therefore GEM reserves the right to change specifications without notice.

GIANNI INDUSTRIES, INC.

No. 13, Zhong Sing Road, Tu-Cheng Industrial Zone,
Tu-Cheng City, Taipei, Taiwan 23678
Tel: 886-2 2267 7986 / Fax: 886-2 2267 9876
E-Mail: info@gianni.com.tw
Website: gianni.tw

Copyright © 2008 Gianni industries, inc. All rights reserved.
DM-CA-CP-21-22 Ver. C Published on 2008.04.29



The products are manufactured under an ISO 9001 & QC 080000 Certified Quality Management Program environment back its product quality, performance and commitment to customer satisfaction.

Free Manuals Download Website

<http://myh66.com>

<http://usermanuals.us>

<http://www.somanuals.com>

<http://www.4manuals.cc>

<http://www.manual-lib.com>

<http://www.404manual.com>

<http://www.luxmanual.com>

<http://aubethermostatmanual.com>

Golf course search by state

<http://golfingnear.com>

Email search by domain

<http://emailbydomain.com>

Auto manuals search

<http://auto.somanuals.com>

TV manuals search

<http://tv.somanuals.com>