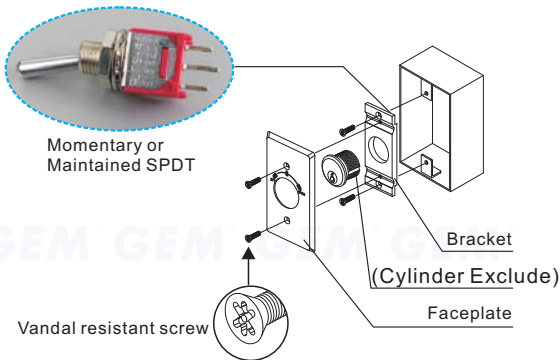
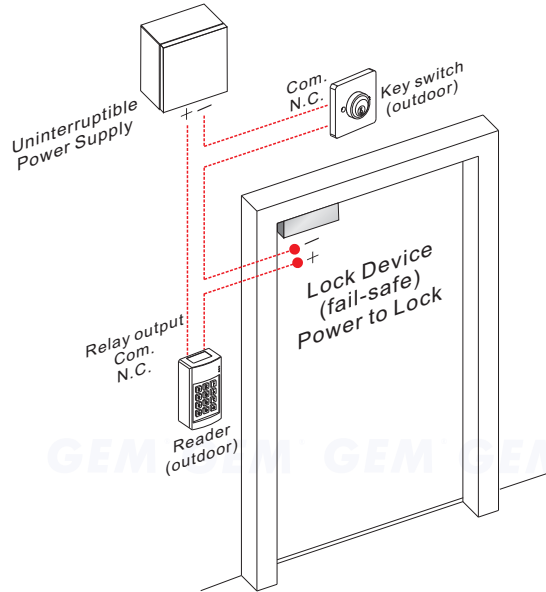


### Statement

Install Key Switch in the outside (as the figure) and parallel (or series) connect with the power supply and electromagnetic lock. If the electromagnetic lock is not be opened for the reasons of that the proximity reader is out of order or that unexpected accident happens, please switch N. C. or N. O. contacts by the key to compel the fail-safe(Power to Lock) or fail-secure(Power to open) electromagnetic lock opened. This is a precaution of the access control system.

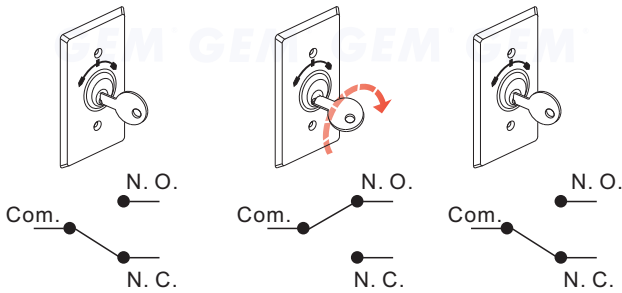


### The connection for fail-safe Lock devices :

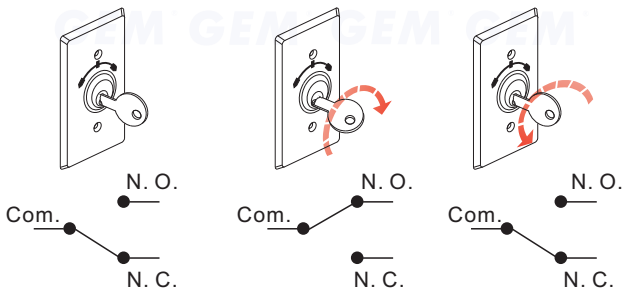


Ex: The electromagnetic locks. Please connect the Com. and N. C. of the key switch in terms of series connection with the cable of the power supply and electromagnetic lock. If the electromagnetic lock won't be opened for the reasons of that the proximity reader is out of order or that unexpected accident happens, please switch N. O. contact by the key to compel the power off and then the electromagnetic lock will be opened.

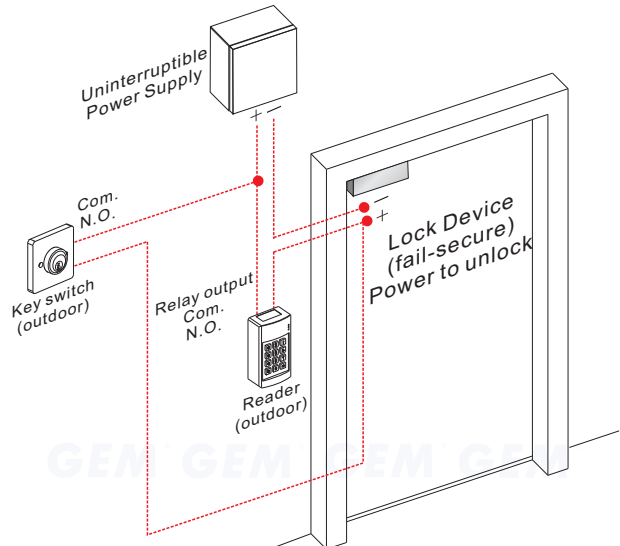
### Momentary SPDT



### Maintained SPDT



### The connection for fail-secure Lock devices :



Please parallel connect the Com. and N. O. of the key switch in terms of parallel connection with the cable of the power supply and electromagnetic lock. If the electromagnetic lock won't be opened for the reasons of that the proximity reader is out of order or that unexpected accident happens, please switch N. C. contact by the key to compel the power on and then the electromagnetic lock will be opened.

GIANNI INDUSTRIES, INC.

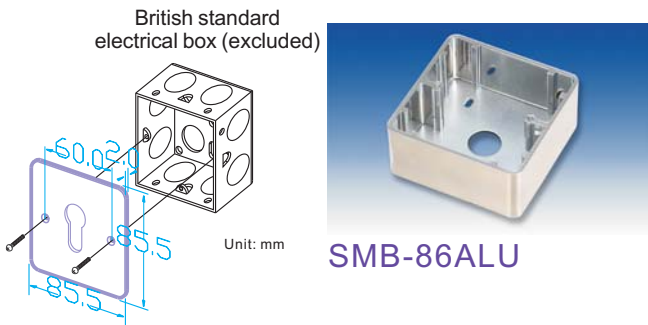


No. 13, Zhong Sing Road, Tu-Cheng Industrial Zone,  
 Tu-Cheng City, Taipei, Taiwan 23678  
 Tel: 886-2 2267 7986 / Fax: 886-2 2267 9876  
 E-Mail: info@gianni.com.tw  
 Website: gianni.tw  
 Copyright 2008 Gianni industries, inc. All rights reserved.  
 DM-CA-KS Ver. E Published on 2008.07.09



The products are manufactured under an ISO 9001 & QC 080000 Certified Quality Management Program environment back its product quality, performance and commitment to customer satisfaction.

### British Sized



This series of request to exit can be mounted directly in British standard electrical box (Flush mount) or with SMB-86ALU housing for surface mount.

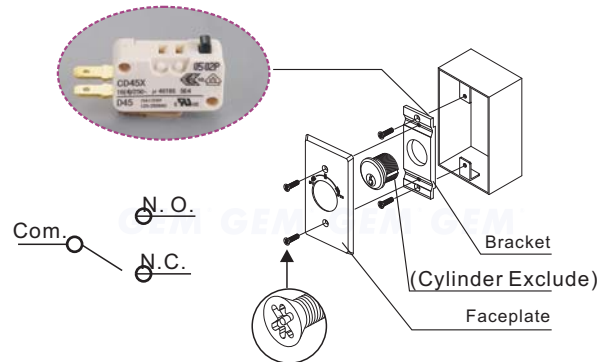
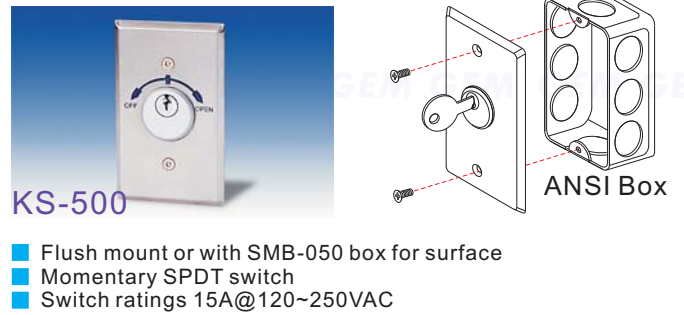


- Max. Ratings : 4A@125 Vac, 2A@250Vac or 4A@28Vdc
- Type of actuation: Momentary
- Contact arrangement: SPDT
- Contact resistance: 50 mΩ Max.(initial)

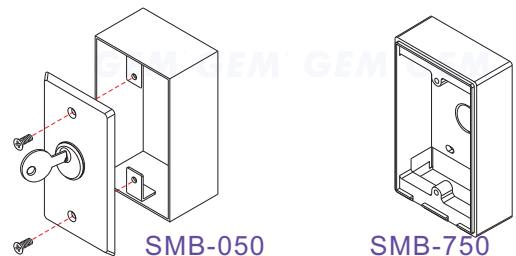


- Flush mount only
- Stainless faceplate
- Momentary DPDT switch
- Switch ratings 5A@125V~

### ANSI Sized



### Optional Housing



With SMB-050 or SMB-750 housing (Optional) for surface mount installation.

GIANNI INDUSTRIES, INC.



No. 13, Zhong Sing Road, Tu-Cheng Industrial Zone,  
Tu-Cheng City, Taipei, Taiwan 23678  
Tel: 886-2 2267 7986 / Fax: 886-2 2267 9876  
E-Mail: info@gianni.com.tw  
Website: gianni.tw  
Copyright 2008 Gianni industries, inc. All rights reserved.  
DM-CA-KS Ver. E Published on 2008.07.09



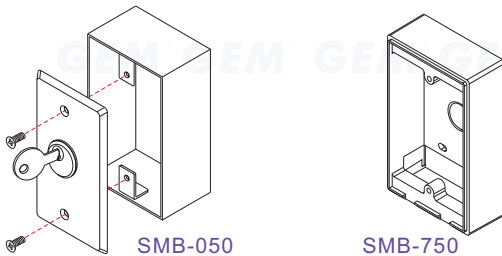
The products are manufactured under an ISO 9001 & QC 080000 Certified Quality Management Program environment back its product quality, performance and commitment to customer satisfaction.

### ANSI Sized

KS-750 series  
Mortise type key switch, back housing is available by preference (ANSI). Maintained SPDT micro switching contacts with Red and Green LED indicating the status of the micro switching contacts (KS-750LD).



- Momentary (or Maintained) SPDT
- Flush mount or with SMB-050 box for surface
- LED indicating the status of the micro switching contacts
- Switch ratings 5A@125VAC.



With SMB-050 or SMB-750 housing (Optional) for surface mount installation.



KS-750 with SMB-050 box for surface mount. (KS-750S)

### Special Sized

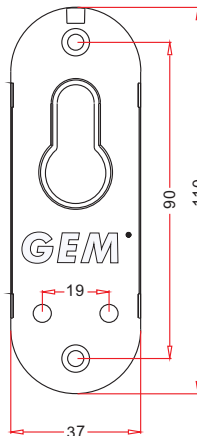


KS-900 KS-900LD

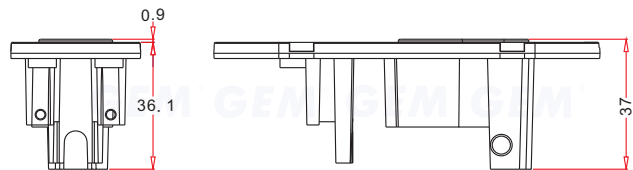
- Flush mount
- Maintained SPDT micro switch
- Switch ratings 5A@125VAC.
- LED indicating the status of the micro switching contacts



SMB-370ALU  
Metal back box for KS-900 surface mount



Unit: mm



### Warranty

The product is warranted against defects in material and workmanship while used in normal service for a period of 1 year from the date of sale to the original customer. The GEM policy is one of continual development and improvement; therefore GEM reserves the right to change specifications without notice.

GIANNI INDUSTRIES, INC.



No. 13, Zhong Sing Road, Tu-Cheng Industrial Zone,  
Tu-Cheng City, Taipei, Taiwan 23678  
Tel: 886-2 2267 7986 / Fax: 886-2 2267 9876  
E-Mail: info@gianni.com.tw  
Website: gianni.tw  
Copyright 2008 Gianni industries, inc. All rights reserved.  
DM-CA-KS Ver. E Published on 2008.07.09



The products are manufactured under an ISO 9001 & QC 080000 Certified Quality Management Program environment back its product quality, performance and commitment to customer satisfaction.

## Free Manuals Download Website

<http://myh66.com>

<http://usermanuals.us>

<http://www.somanuals.com>

<http://www.4manuals.cc>

<http://www.manual-lib.com>

<http://www.404manual.com>

<http://www.luxmanual.com>

<http://aubethermostatmanual.com>

Golf course search by state

<http://golfingnear.com>

Email search by domain

<http://emailbydomain.com>

Auto manuals search

<http://auto.somanuals.com>

TV manuals search

<http://tv.somanuals.com>