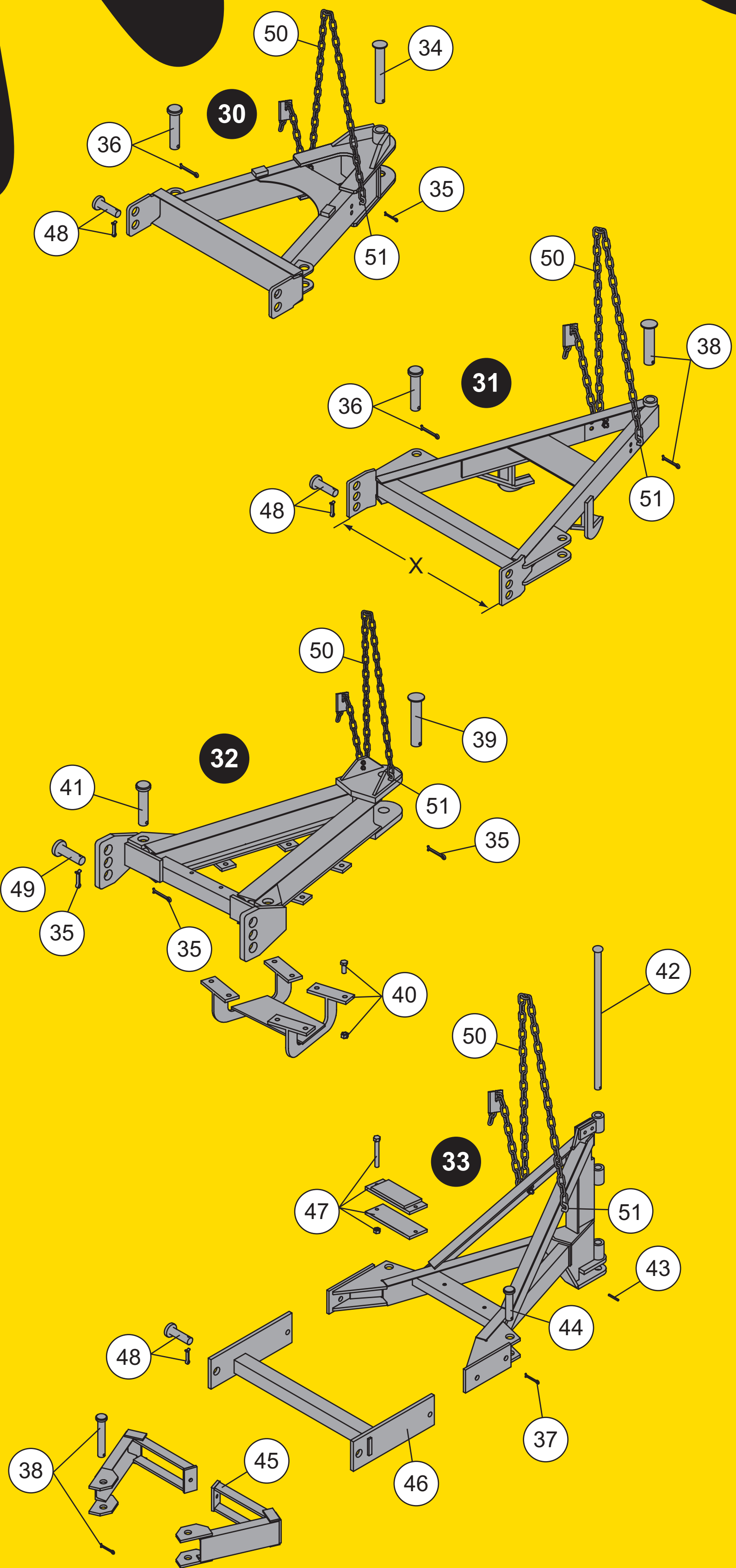


\*\* RD headgear shown. LD, HD, MC, and V parts may look different. \*\*

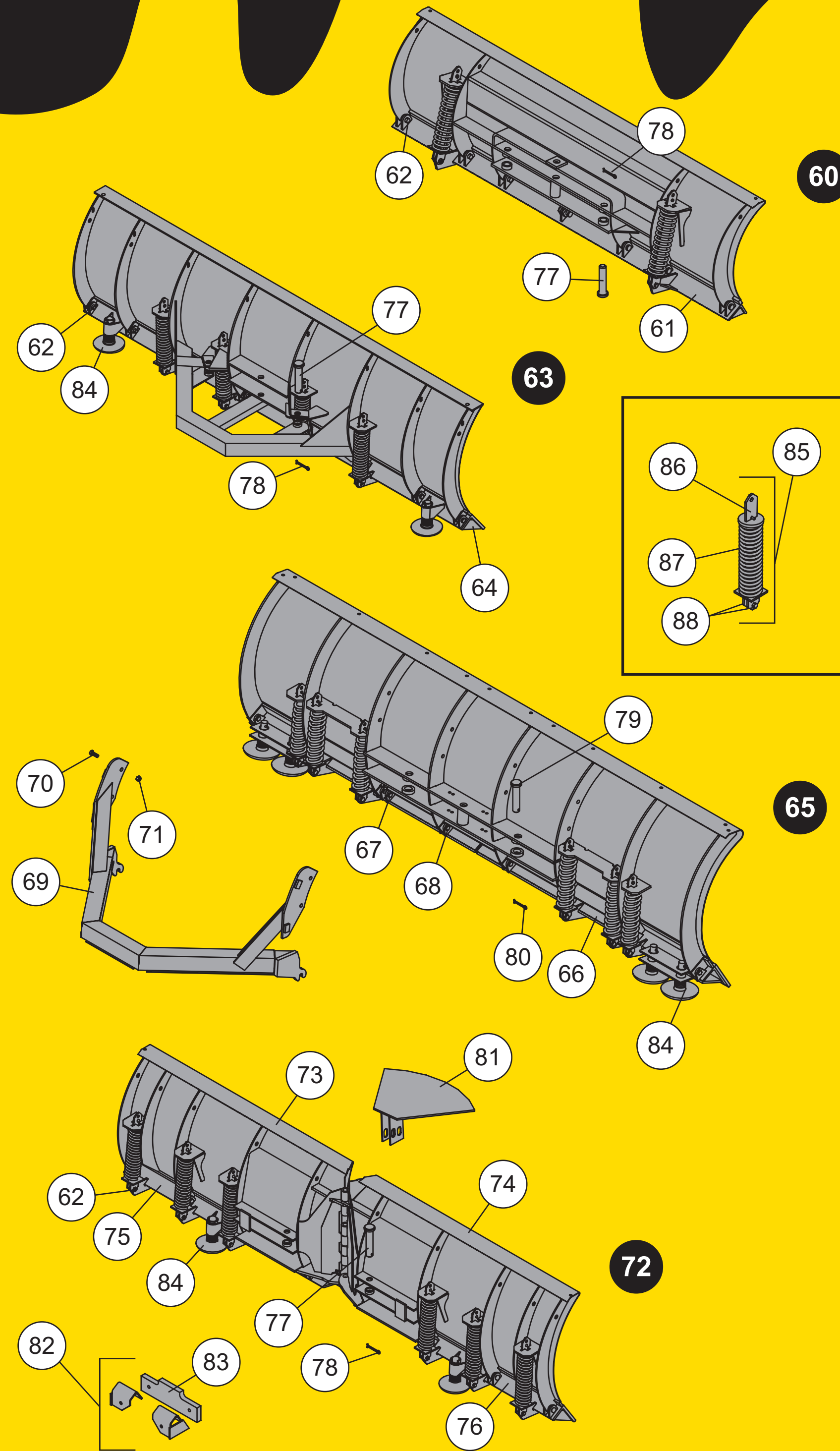
### HEADGEAR

Item	Part	Description	Item	Part	Description
1	21920	Lift Arm	7	8184	Jack Leg (6'-9" & 7-1/2' LD)
2	22341	Headgear (6'-9" LD)	20490	Jack Leg (RD/HD)	
22090	Headgear (7-1/2' LD)	20491	Jack Leg (HD, MC, V)		
8580	Headgear (RD/HD)	8	27164K	Jack Handle Kit	
8480	Headgear (HD)	9	8180	Jack Lever (6'-9" & 7-1/2' LD)	
20758	Headgear (MC)	8499K	Jack Lever (RD/HD, HD, MC, V)		
21846	Headgear (V)	10	7794	1/2 OD x 2 Compression Spring	
3	8514	Headgear Brace (RD/HD, HD, MC, V)	11	90658	5/32 x 1-1/4 Cotter Pin
4	20070	Lower Gear (6'-9" LD)	12	20185	Torsion Spring Kit
8561	Lower Gear (7-1/2' LD, RD/HD)	13	6920K	Connecting Pin Kit	
8533	Lower Gear (HD, V)	14	6815	Connecting Pin w/Handle	
20759	Lower Gear (MC)	15	821	1 ID x 3-1/2 Compression Spring	
8202	Release Rod (6'-9" & 7-1/2' LD)	16	8498	Bolting Bar (7-1/2' LD, RD/HD, HD, MC, V)	
8551	Release Rod (RD/HD, HD, MC, V)	17	8741	Cable Boot Bracket	
8183	Jack Support (6'-9" & 7-1/2' LD)	18	8284K	Cable Boot	
20487	Jack Support (RD/HD)	19	4289K	3/4 x 1-7/8 Machine Pin w/Cotter Pin	
20488	Jack Support (HD, MC, V)	20	7904K	Clevis Pin w/Cotter Pin	



### A-FRAMES

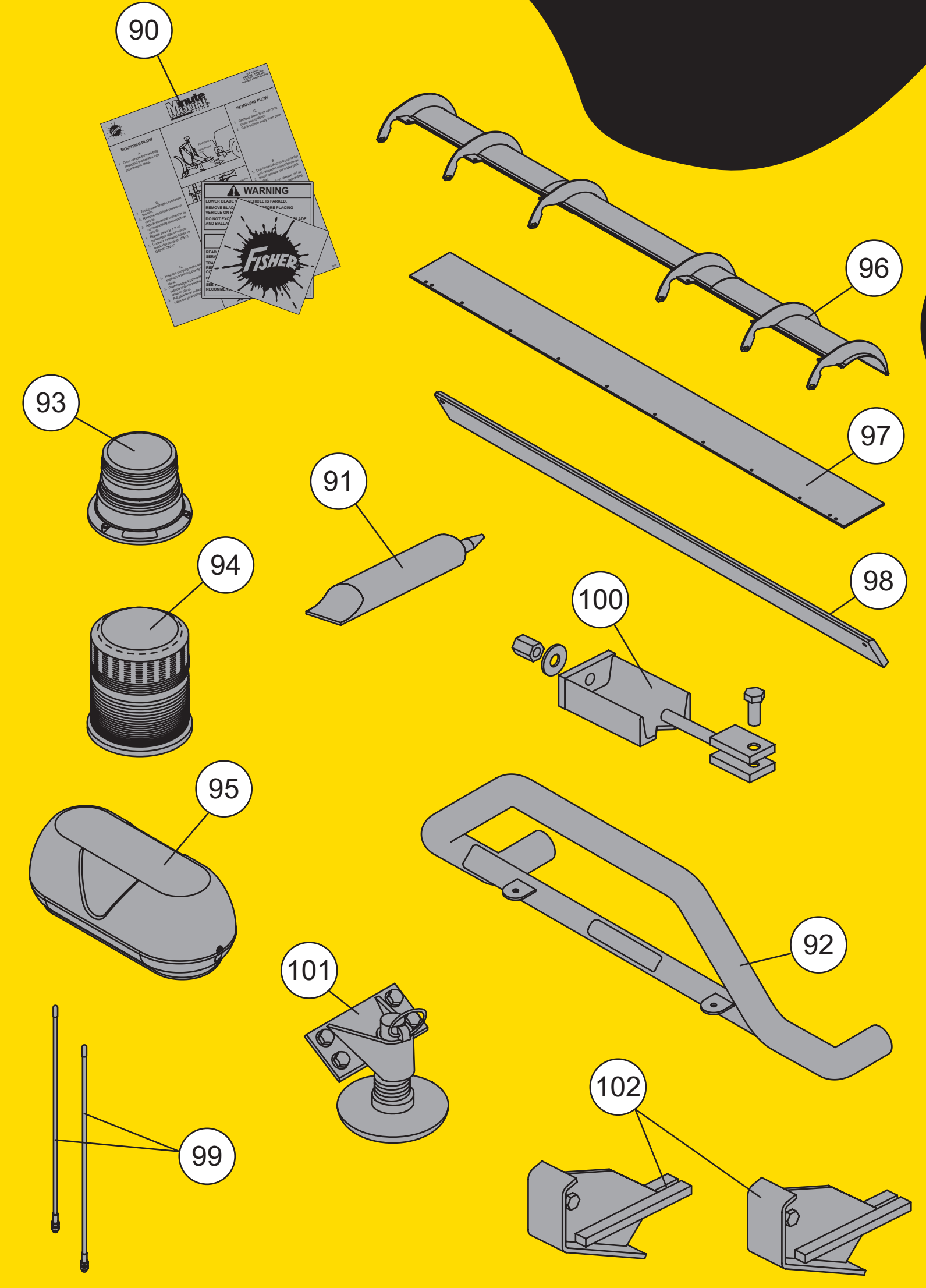
Item	Part	Description	Item	Part	Description
30	22169	A-Frame w/Hardware (6'-9" LD)	41	20790	Commercial Ram Pin
22175	A-Frame w/Hardware (7-1/2' LD)	42	20988	V-Plow Pivot Pin	
31	8562	A-Frame w/Hardware (RD - X = 22-1/2")	43	26463	1/4 x 2 Slotted Spring Pin
22168	A-Frame w/Hardware (HD - X = 22-1/2")	44	22260	1 OD x 4-3/4 Clevis Pin	
8627	A-Frame w/Hardware (HD - X = 25-1/8")	45	26583	Blade Stop	
32	20703-1	A-Frame Kit w/Hardware and Angle Frame Guide (MC)	46	21484-1	Push Assembly
33	21874-3	A-Frame (V)	47	22161	A-Frame Stop Kit
34	22259	1 OD x 8-3/4 Pivot Pin	48	7904K	Clevis Pin w/Cotter Pin
35	90013	1/4 x 2 Cotter Pin	49	5150	1-1/4 x 4-7/8 Anchor Pin
36	7903K	Anchor Pin w/Cotter Pin	50	8229	Chain Bag (LD)
37	90601	1/4 x 1-1/2 Cotter Pin	8565	Chain Bag (RD)	
38	7905K	Pivot Pin w/Cotter Pin	8555	Chain Bag (HD, V)	
39	20789	1-1/4 x 6-3/4 Commercial Pivot Pin	21853	Chain Bag (MC)	
40	20775	Commercial Angle Frame Guide	51	A6148K	U-Bolt w/Hardware



### BLADES

Item	Part	Description	Item	Part	Description
60	-	6'-9" Blade <sup>1</sup> (LD)	72	-	8-1/2' EZ-V <sup>®</sup> Blade
61	22180	6'-9" Base Angle (LD)	73	21569	8-1/2' Blade Half - DS (V)
22181	7-1/2' Base Angle (LD)	26599	9-1/2' EZ-V <sup>®</sup> Blade		
62	5523K	3/4 x 2-3/16 Machine Pin w/Cotter Pin	74	21570	8-1/2' Blade Half - PS (V)
63	-	7" L-Series Blade <sup>2</sup> (RD)	26600	9-1/2' Blade Half - PS (V)	
-	-	7-1/2" L-Series Blade <sup>2</sup> (RD)	75	21564	8-1/2" Base Angle - DS (V)
-	-	8" L-Series Blade <sup>2</sup> (HD)	26597	9-1/2" Base Angle - DS (V)	
-	-	8-1/2" L-Series Blade <sup>2</sup> (HD)	76	21565	8-1/2" Base Angle - PS (V)
-	-	9" L-Series Blade <sup>2</sup> (HD)	26598	9-1/2" Base Angle - PS (V)	
64	7869	7" Base Angle (RD)	77	22260	1 OD x 4-3/4 Clevis Pin
7667	7-1/2" Base Angle (RD)	78	90601	1/4 x 1-1/2 Cotter Pin	
7668	8" Base Angle (HD)	79	20790	Commercial Ram Pin	
26885	8-1/2" Base Angle (HD)	80	90013	1/4 x 2 Cotter Pin	
7669	9" Base Angle (HD)	81	21001	Center Deflector (bolted A-Frame)	
65	-	9" Blade <sup>3</sup> (MC)	21873	Center Deflector	
-	-	10" Blade <sup>3</sup> (MC)	82	26858	Center Flap Kit
66	22369	9" Base Angle (MC <sup>1</sup> )	83	63508	Rubber Flap
27259	9" Base Angle (MC <sup>2</sup> )	84	26523	6" Solid Cast Shoe Assembly (RD, HD, MC <sup>2</sup> , V)	
20628	10" Two-Piece Base Angle - DS (MC <sup>1</sup> )	85	A5517	7" Anti-Wear Shoe Assembly (MC <sup>1</sup> )	
20629	10" Two-Piece Base Angle - PS (MC <sup>1</sup> )	26464	Removable Spring Assembly (LD, RD, HD, 10" MC <sup>2</sup> )		
27241	1 x 2-3/4 Clevis Pin w/Cotter Pin <sup>2</sup>	21452	Removable Spring Assembly (9" MC, 10" MC <sup>1</sup> , V)		
67	20639K	3/4 x 3-15/32 Machine Pin w/Cotter Pin <sup>1</sup>	86	20757	Removable Spring Bar (LD, RD, HD, 10" MC <sup>2</sup> )
7903K	Anchor Pin w/Cotter Pin <sup>2</sup>	21450	Removable Spring Bar (9" MC, 10" MC <sup>1</sup> , V)		
68	5523K	3/4 x 2-3/16 Machine Pin w/Cotter Pin <sup>1</sup>	87	27406	Trip Spring (LD, RD, HD, 10" MC <sup>2</sup> )
27241	1 x 2-3/4 Clevis Pin w/Cotter Pin <sup>2</sup>	5323	Trip Spring (9" MC, 10" MC <sup>1</sup> , V)		
69	20702	Angle Frame (MC <sup>1</sup> )	88	26656K	Shoulder Bolt w/Locknut
27237	Angle Frame (MC <sup>2</sup> )				
70	90127	5/8-11 x 1-1/2 Hex Cap Screw G5			
71	91337	5/8-11 Hex Locknut GB			

<sup>1</sup> = Distinguished by a 3/4" base angle pin and a 3/8" Top Anchor; 10" blade has a two-piece base angle  
<sup>2</sup> = Distinguished by a 1" base angle pin and a 1/2" Top Anchor; 10" blade has a one-piece base angle  
<sup>3</sup> = Complete blade no longer manufactured.  
 G = grade



### ACCESSORIES

Item	Part	Description	Item	Part	Description
90	28549	Universal Label Replacement Kit	98	22215	6'-9" Poly Cutting Edge (LD)
91	22400K	2 oz. Dielectric Grease Tube	22216	7-1/2" Poly Cutting Edge (LD)	
92	26239	ProTube™ Bumper/Grille Guard - Stainless	5532	7-1/2" Steel Cutting Edge (RD)	
26240	ProTube™ Bumper/Grille Guard - Black	5533	8" Steel Cutting Edge (HD)		
93	26018-1	Mini Strobe Light	26460	8-1/2" Steel Cutting Edge (HD)	
94	26019	Full-Size Strobe Light	5534	9" Steel Cutting Edge (HD)	
95	26020-1	Mini Bar Light	28408	8-1/2" Steel Cutting Edge (V)	
96	8251	7-1/2" SnoFoil® Assembly (RD)	26593	9" Steel Cutting Edge (V)	
8252	8" SnoFoil® Assembly (HD)	27362	9" Steel Cutting Edge (MC)		
26880	8-1/2" SnoFoil® Assembly (HD)	27239	10" Steel Cutting Edge - 2 Sections		
8253	9" SnoFoil® Assembly (HD)	99	27195	26" Flexible Blade Guide Set (LD, MC, V)	
22380	9" SnoFoil® Assembly (MC)	7906K	Commercial Blade Guide Set (RD, HD)		
22200	10" SnoFoil® Assembly (MC)	26530K	Blade Guide Set (All)		
97	22470-1	7-1/2", 8", 8-1/2", & 9" Rubber Deflector (LD, RD, HD)	100	20043	Spring Replacement Tool
21619	8-1/2" Rubber Deflector (V)	101	26145	Shoe Kit (LD)	
26572	9-1/2" Rubber Deflector (V)	102	20555	Skid Plate Kit	
22390	9" & 10" Rubber Deflector (MC)	ns	26812-1	Plow Parka	
8533	Lower Gear (HD, V)	ns	5248	12 oz. Yellow Spray Paint (Painted Blades)	
26480	8" Steel Deflector (LD)	ns	24928	12 oz. Black Spray Paint (Powder-Coat)	
26485	8-1/2" Steel Deflector (LD, RD)	ns	27242	12 oz. Yellow Spray Paint (Powder-Coat)	
26480	8" Steel Deflector (HD)	ns	5492Y	1 Quart Yellow Paint Can	
26485	8-1/2" Steel Deflector (HD, RD)	ns	5490Y	1 Gallon Yellow Paint Can	
26490	9" Steel Deflector (HD, MC)	ns	28531	1 Quart EZ Flow Hydraulic Fluid	
		ns	28532	1 Gallon EZ Flow Hydraulic Fluid	

Copyright © 2005 Douglas Dynamics, L.L.C. All rights reserved. This material may not be reproduced or copied, in whole or in part, in any printed, mechanical, electronic, film or other distribution and storage media, without the written consent of Fisher Engineering. Authorization to photocopy items for internal or personal use by Fisher Engineering outlets or snowplow owner is granted.

Fisher Engineering reserves the right under its product improvement policy to change construction or design details and furnish equipment when so altered without reference to illustrations or specifications used. Fisher Engineering and the vehicle manufacturer may require and/or recommend optional equipment for snow removal. Do not exceed vehicle ratings with a snowplow. Fisher Engineering offers a limited warranty for all snowplows and accessories. See separately printed page for this important information. The following are registered (®) or unregistered (™) trademarks of Douglas Dynamics, L.L.C.: EZ-V<sup>®</sup>, FISHER<sup>®</sup>, Minute Mount<sup>®</sup>, ProTube<sup>™</sup>, SnoFoil<sup>®</sup>.

## Free Manuals Download Website

<http://myh66.com>

<http://usermanuals.us>

<http://www.somanuals.com>

<http://www.4manuals.cc>

<http://www.manual-lib.com>

<http://www.404manual.com>

<http://www.luxmanual.com>

<http://aubethermostatmanual.com>

Golf course search by state

<http://golfingnear.com>

Email search by domain

<http://emailbydomain.com>

Auto manuals search

<http://auto.somanuals.com>

TV manuals search

<http://tv.somanuals.com>