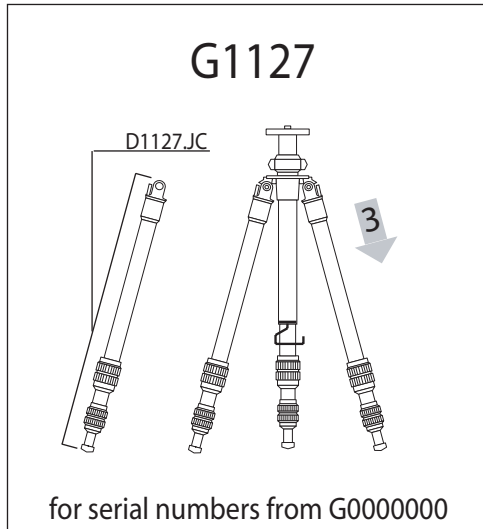
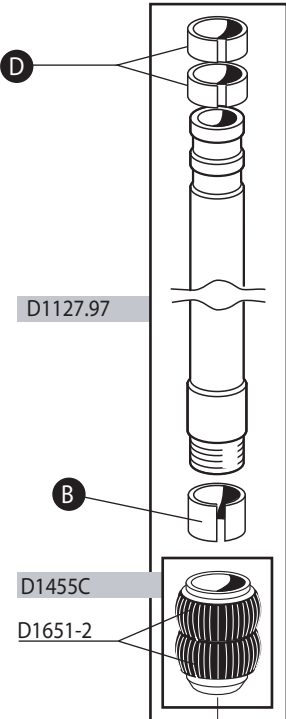


**D1128.FJ**  
for one leg **A**

**D001.JS3**  
complete tripod **B**

**D1228.JP**  
3 pieces **C**

**D001.JG3**  
complete tripod **D**



for serial numbers from G0000000

## Free Manuals Download Website

<http://myh66.com>

<http://usermanuals.us>

<http://www.somanuals.com>

<http://www.4manuals.cc>

<http://www.manual-lib.com>

<http://www.404manual.com>

<http://www.luxmanual.com>

<http://aubethermostatmanual.com>

Golf course search by state

<http://golfingnear.com>

Email search by domain

<http://emailbydomain.com>

Auto manuals search

<http://auto.somanuals.com>

TV manuals search

<http://tv.somanuals.com>