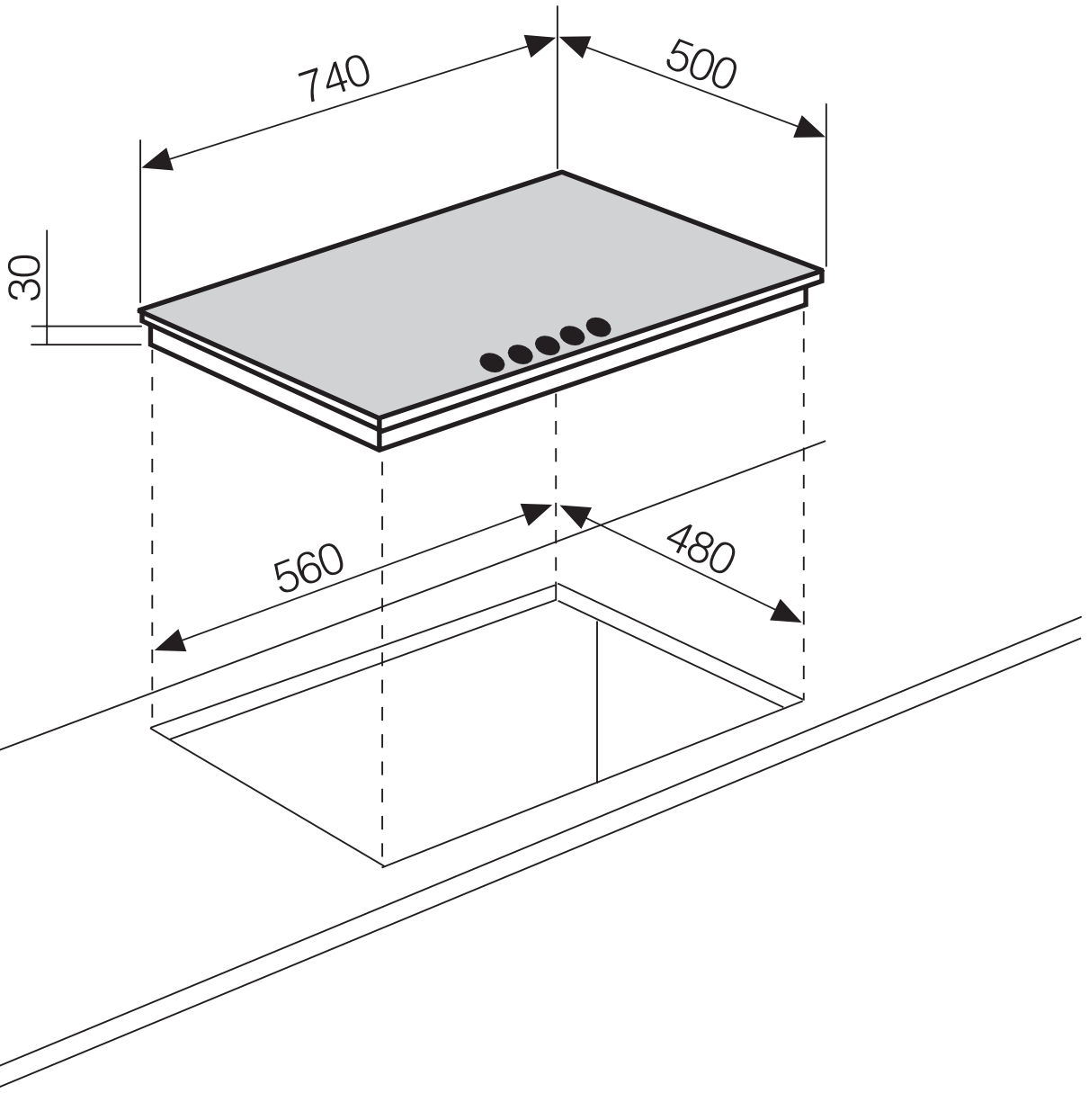


# Installation Diagram



## 75cm FC74GSWI, FC75GSWI - Gas Cooktop



**GLEM GAS Australasia**

Unit 26,10 Straits Avenue, South Granville, NSW 2142

PO BOX 63 Blaxcell PO, South Granville, NSW 2142

**T:** (02) 9721 2755 **F:** (02) 9721 2766 **E:** [info@glemgas.com.au](mailto:info@glemgas.com.au) **W:** [www.emiliaglem.com.au](http://www.emiliaglem.com.au)

Download from [www.Somanuals.com](http://www.Somanuals.com). All Manuals Search And Download.

## Free Manuals Download Website

<http://myh66.com>

<http://usermanuals.us>

<http://www.somanuals.com>

<http://www.4manuals.cc>

<http://www.manual-lib.com>

<http://www.404manual.com>

<http://www.luxmanual.com>

<http://aubethermostatmanual.com>

Golf course search by state

<http://golfingnear.com>

Email search by domain

<http://emailbydomain.com>

Auto manuals search

<http://auto.somanuals.com>

TV manuals search

<http://tv.somanuals.com>