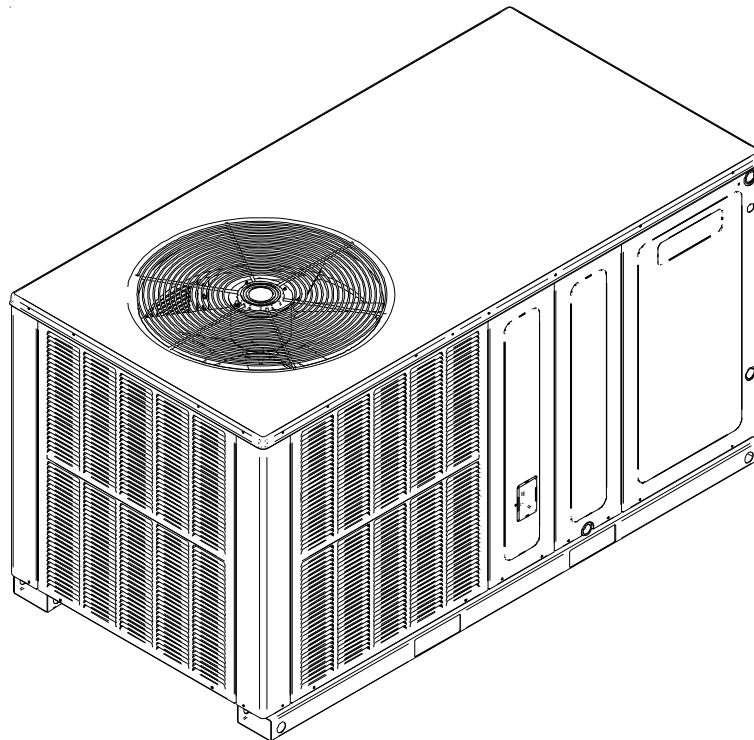




# TECHNICAL MANUAL

## GPC 14 SEER R-410A Package Air Conditioners with R-410A

- Refer to Service Manual RS6300011 (Horizontal) for installation, operation, and troubleshooting information.
- All safety information must be followed as provided in the Service Manual.
- Refer to the appropriate Parts Catalog for part number information.
- Models listed on page 3.
- Models qualify for the 2009 and 2010 Federal Tax Credits for Energy Efficiency\*\*



*\*\*Note that these tax credits are subject to specific requirements set forth in the American Recovery and Reinvestment Act of 2009 and in the Internal Revenue Code. Goodman recommends that consumers consult a tax professional if they have questions about the applicability of these credits.*

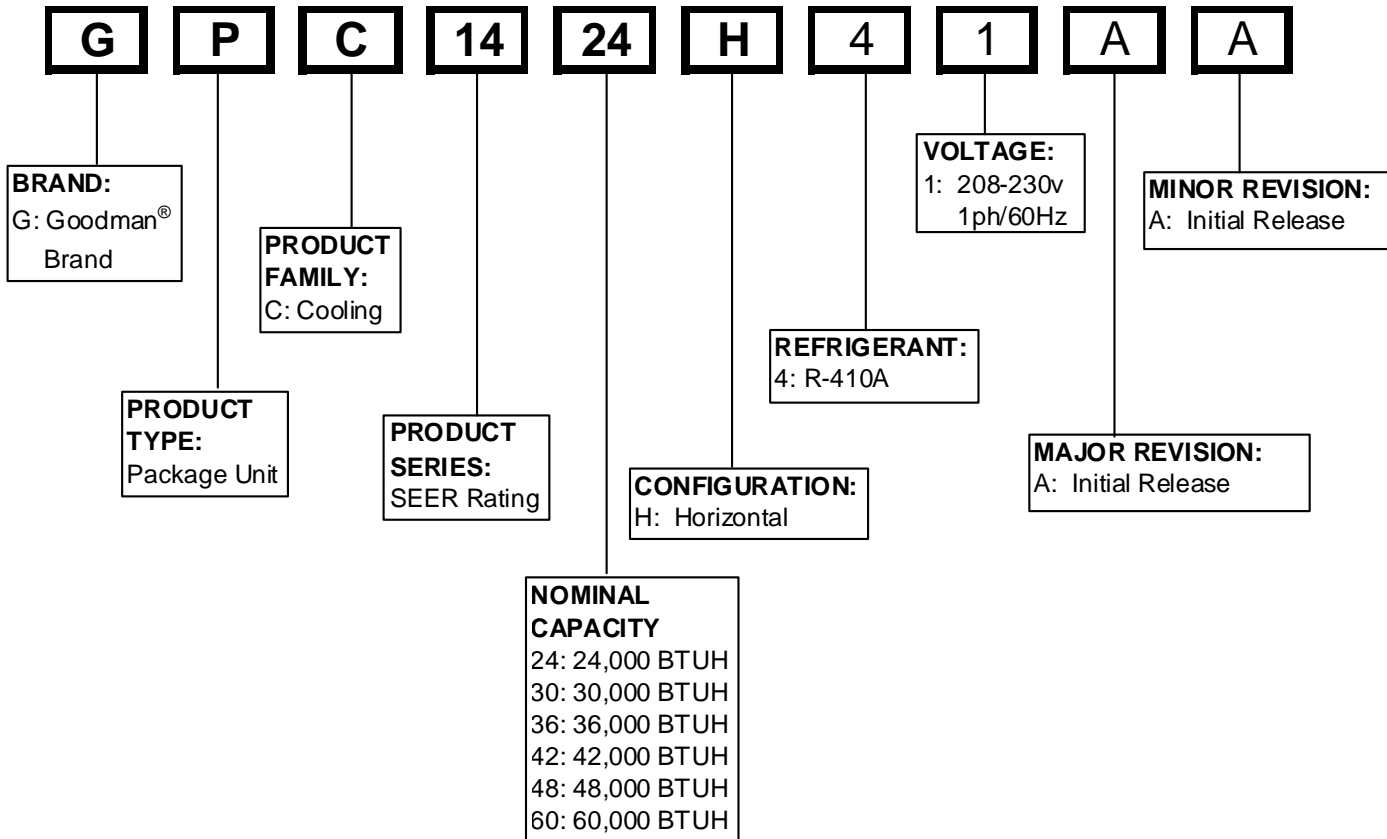
This manual is to be used by qualified, professionally trained HVAC technicians only. Goodman does not assume any responsibility for property damage or personal injury due to improper service procedures or services performed by an unqualified person.

RT6322007r6  
September 2010

Copyright © 2009 - 2010 Goodman Manufacturing Company, L.P.

# PRODUCT IDENTIFICATION

The model and manufacturing number are used for positive identification of component parts used in manufacturing. Please use these numbers when requesting service or parts information.



## **WARNING**

### **HIGH VOLTAGE!**

Disconnect ALL power before servicing or installing this unit. Multiple power sources may be present. Failure to do so may cause property damage, personal injury or death.



## **WARNING**

Goodman will not be responsible for any injury or property damage arising from improper service or service procedures. If you install or perform service on this unit, you assume responsibility for any personal injury or property damage which may result. Many jurisdictions require a license to install or service heating and air conditioning equipment.

## **WARNING**

Installation and repair of this unit should be performed **ONLY** by individuals meeting (at a minimum) the requirements of an "entry level technician" as specified by the Air-Conditioning, Heating, and Refrigeration Institute (AHRI). Attempting to install or repair this unit without such background may result in product damage, personal injury or death.

# PRODUCT IDENTIFICATION

The model and manufacturing number are used for positive identification of component parts used in manufacturing. Please use these numbers when requesting service or parts information.

	<u>5mm</u>
GPC1424H41AA	GPC1424H41AB
GPC1430H41AA	GPC1430H41AB
GPC1436H41AA	GPC1436H41AB
GPC1442H41AA	GPC1442H41AB
GPC1448H41AA	GPC1448H41AB
GPC1460H41AA	

*AB model specific  
5 mm information  
begins on page 28.*

Models qualify for the 2009 and 2010 Federal Tax Credits  
for Energy Efficiency\*\*

*\*\*Note that these tax credits are subject to specific requirements set forth in the American Recovery and Reinvestment Act of 2009 and in the Internal Revenue Code. Goodman recommends that consumers consult a tax professional if they have questions about the applicability of these credits.*

 **WARNING**

The United States Environmental Protection Agency ("EPA") has issued various regulations regarding the introduction and disposal of refrigerants introduced into this unit. Failure to follow these regulations may harm the environment and can lead to the imposition of substantial fines. These regulations may vary by jurisdiction. Should questions arise, contact your local EPA office.

 **WARNING**

Do not connect or use any device that is not design certified by Goodman for use with this unit. Serious property damage, personal injury, reduced unit performance and/or hazardous conditions may result from the use of such non-approved devices.

 **WARNING**

To prevent the risk of property damage, personal injury, or death, do not store combustible materials or use gasoline or other flammable liquids or vapors in the vicinity of this appliance.

# PRODUCT DESIGN

GPC Package Cooling Units are designed for outdoor installations only in either residential or light commercial applications.

The connecting ductwork (Supply and Return) can be connected for either horizontal or vertical airflow. In the vertical application a matching Roof Curb is recommended.

A return air filter must be installed behind the return air grille(s) or provision must be made for a filter in an accessible location within the return air duct. The minimum filter area should not be less than those sizes listed in the Specification Section. Under no circumstances should the unit be operated without return air filters.

A 3/4" PVC pipe is provided for removal of condensate water from the indoor coil. In order to provide proper condensate flow, a drain trap is supplied and shipped loose inside the unit for field installation. (Do not reduce the drain line size.)

Refrigerant flow control is achieved by use of restrictor orifices. GPC units use the FasTest Access Fitting System with a saddle that is either soldered to the suction and liquid lines or is fastened with a locking nut to the access fitting box (core) and then screwed into the saddle. **Do not remove the core from the saddle until the refrigerant charge has been removed. Failure to do so could result in property damage or personal injury.**

The single phase units use permanent split capacitor (PSC) design compressors. Starting components are therefore not required for these units. A low microfarad run capacitor assists the compressor to start and remains in the circuit during operation.

All GPC14 units have X-13 indoor blower motors that are energized by a 24V signal from the thermostat and are constant torque motors with very low power consumption. The X-13 features an integral control module.

Air for condensing (cooling cycle) is drawn through the outdoor coil by a propeller fan, and is discharged vertically out the top of the unit. The outdoor coil is designed for .0 static. No additional restriction (ductwork) shall be applied.

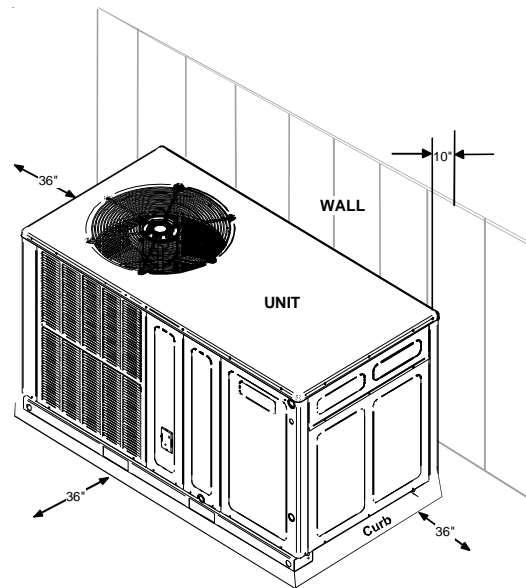
Conditioned air is drawn through the filter(s), field installed, across the coil and back into the conditioned space by the indoor blower.

GPC1424-30H41\* use Copeland Reciprocating Compressors. GPC1436-60H41\* use Copeland Scroll Compressors. There are a number of design characteristics which are different from the traditional reciprocating compressor.

- Due to their design Scroll Compressors are inherently more tolerant of liquid refrigerant. **NOTE:** Even though the compressor section of a Scroll compressor is more tolerant of liquid refrigerant, continued floodback or flooded start conditions may wash oil from the bearing surfaces causing premature bearing failure.
- Scroll Compressors use white oil which is compatible with 3GS oil which may be used if additional oil is required.
- Operating pressures and amp draws may differ from standard reciprocating compressors. This information may be found in the "Cooling Performance Data" section.

## Location and Clearances

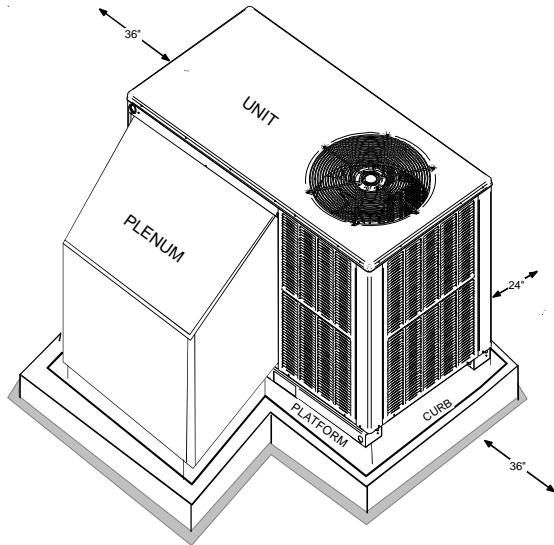
**NOTE:** To ensure proper condensate drainage, unit must be installed in a level position.



## Outside Slab Installation - Horizontal (H)

Minimum clearances are required to avoid air recirculation and keep the unit operating at peak efficiency.

# PRODUCT DESIGN



## Rooftop Installation - Horizontal (H)

In installations where the unit is installed above ground level and not serviceable from the ground (Example: Roof Top installations), the installer must provide service platform for service person with rails or guards in accordance with local codes or ordinances or in their absence with the latest edition of the Uniform Mechanical Code Section 305.

**NOTE:** Unit can also use roof curb.

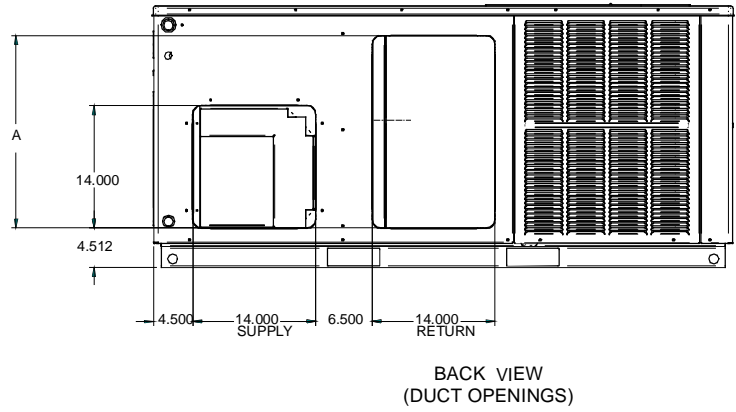
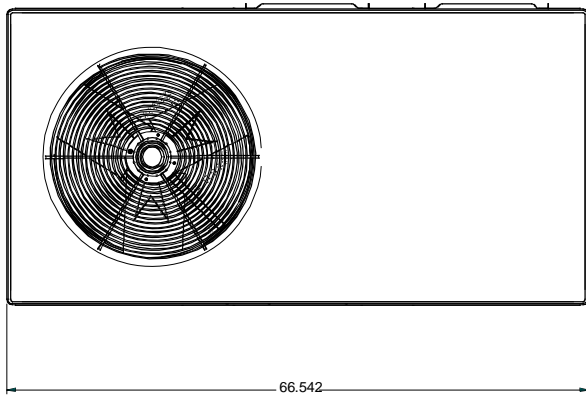
### **WARNING**

**TO PREVENT POSSIBLE PROPERTY DAMAGE, THE UNIT SHOULD REMAIN IN AN UPRIGHT POSITION DURING ALL RIGGING AND MOVING OPERATIONS. TO FACILITATE LIFTING AND MOVING IF A CRANE IS USED, PLACE THE UNIT IN AN ADEQUATE CABLE SLING.**

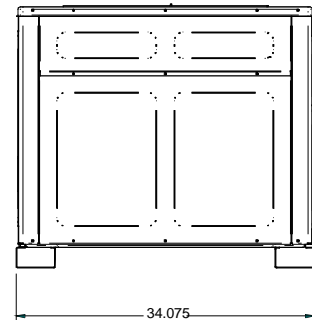
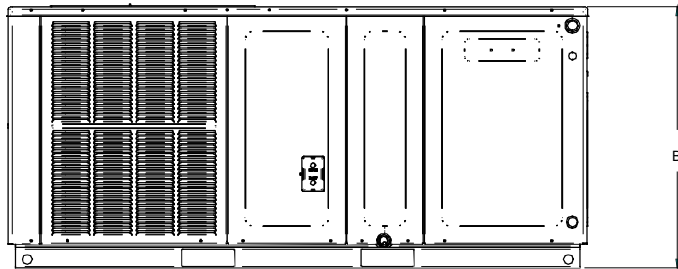
Refer to Roof Curb Installation Instructions for proper curb installation. Curbing must be installed in compliance with the National Roofing Contractors Association Manual.

# PRODUCT DIMENSIONS

# GPC14[24-60]H41A\*



BACK VIEW  
(DUCT OPENINGS)



Chassis	Model	A	B
Small	GPC1424	33	30½
	GPC1430	33	30½
Medium	GPC1436	33	35½
	GPC1442	33	35½
Large	GPC1448	33	38½
	GPC1460	33	38½

Dimensions in inches

**HKR ELECTRICAL DATA**

Model and Heat Kit Usage	Circuit #1		Circuit #2		Actual kW & BTU at 240V
	Minimum Circuit Ampacity at 208 / 240V	Maximum Overcurrent Protection (amps) at 208 / 240V	Minimum Circuit Ampacity at 208 / 240V	Maximum Overcurrent Protection (amps) at 208 / 240V	
<b>GPH1424H41A*</b> HKR05*,C* HKR08*,C* HKR10*,C*	24 / 27 33 / 28 45 / 51	30 / 30 40 / 40 60 / 60	---- ---- ----	---- ---- ----	4.75 / 16,200 7.00 / 23,800 9.50 / 32,400
<b>GPH1430H41A*</b> HKR05*,C* HKR08*,C* HKR10*,C* HKR15*,C*	24 / 27 34 / 39 45 / 52 45 / 52	30 / 30 40 / 40 60 / 60 60 / 60	---- ---- ---- 22 / 25	---- ---- ---- 30 / 30	4.75 / 16,200 7.00 / 23,800 9.50 / 32,400 14.25 / 48,600
<b>GPH1436H41A*</b> HKR05*,C* HKR08*,C* HKR10*,C* HKR15*,C*	24 / 27 34 / 39 45 / 52 45 / 52	30 / 30 40 / 40 60 / 60 60 / 60	---- ---- ---- 22 / 25	---- ---- ---- 30 / 30	4.75 / 16,200 7.00 / 23,800 9.50 / 32,400 14.25 / 48,600
<b>GPH1442H41A*</b> HKR05*,C* HKR08*,C* HKR10*,C* HKR15*,C* HKR20*,C*	25 / 27 34 / 39 46 / 52 46 / 52 46 / 52	30 / 30 40 / 40 60 / 60 60 / 60 60 / 60	---- ---- ---- 22 / 25 43 / 49	---- ---- ---- 30 / 30 60 / 60	4.75 / 16,200 7.00 / 23,800 9.50 / 32,400 14.25 / 48,600 19.50 / 66,500
<b>GPH1448H41A*</b> HKR05*,C* HKR08*,C* HKR10*,C* HKR15*,C* HKR20*,C*	25 / 28 34 / 40 46 / 53 46 / 52 46 / 52	30 / 30 40 / 40 60 / 60 60 / 60 60 / 60	---- ---- ---- 22 / 25 43 / 49	---- ---- ---- 30 / 30 60 / 60	4.75 / 16,200 7.00 / 23,800 9.50 / 32,400 14.25 / 48,600 19.50 / 66,500
<b>GPH1460H41A*</b> HKR05*,C* HKR08*,C* HKR10*,C* HKR15*,C* HKR20*,C*	26 / 30 36 / 40 48 / 54 48 / 54 48 / 54	30 / 30 40 / 40 60 / 60 60 / 60 60 / 60	---- ---- ---- 22 / 25 43 / 49	---- ---- ---- 30 / 30 60 / 60	4.75 / 16,200 7.00 / 23,800 9.50 / 32,400 14.25 / 48,600 19.50 / 66,500

**IMPORTANT NOTE:** A separate power supply is required for the HKR heater kit.



**WARNING**

All wires and overcurrent protection devices are sized for use with electric heaters only and without refrigeration. If heaters are not installed with above wire size, overheating and fire could occur. See PACKAGE COOLING SPECIFICATIONS section for minimum circuit ampacity and maximum overcurrent protection during refrigeration cycle.

# ACCESSORIES

# GPC14[24-60]H41A\*

Part Number	Description
OT18-60A	Outdoor Thermostat Kit w/Lockout Stat
OT/EHR18-60	Emergency Heat Relay Kit
HKR	Electric Heat Kit
PCCP101-103	Roof Curb
PCP101-103	Downflow Plenum Kit
PCP101-103R8	Downflow Plenum Kit w/ R-8 Insulation
GPCED101-103	Downflow Economizer for GPC-(H) A/C - To Be Used With PCP101-103
GPHE101-103	Downflow Economizer for GPH-(H) Heat Pump - To Be Used With PCP101-103
GPCEH101-103	Horizontal Economizer for GPC-(H) A/C
GPHEH101-103	Horizontal Economizer for GPH-(H) Heat Pump
PCMD101-103	Manual Damper - To Be Used With PCP101-103
PCMDM101-103	Motorized Damper - To Be Used With PCP101-103
GPHMD101-103	Manual Damper for Horizontal Applications
SQRPCH101	Square to Round Adapters 16" & 14"
SQRPCH102-103	Square to Round Adapters 18" & 14"
SQRPC101	Square to Round Adapter - For Use With PCCP101-103 Curb 16" Rounds
SQRPC102-103	Square to Round Adapter For Use With PCCP101-103 Curb 18" Rounds
PCFR101-103	External Horizontal Filter Rack
PCEF101-103	Elbow & Flashing w/ R-8 Liner
CDK36	Flush Mount Concentric Duct Kit
CDK36515	Flush Mount Concentric Duct Kit w/ Filter
CDK36530	Step Down Concentric Duct Kit
CDK36535	Step Down Concentric Duct Kit w/ Filter
CDK4872	Flush Mount Concentric Duct Kit
CDK4872515	Flush Mount Concentric Duct Kit w/ Filter
CDK4872530	Step Down Concentric Duct Kit
CDK4872535	Step Down Concentric Duct Kit w/ Filter



# BLOWER PERFORMANCE DATA

# GPC14[24-60]H41A\*

Dry Coil Data

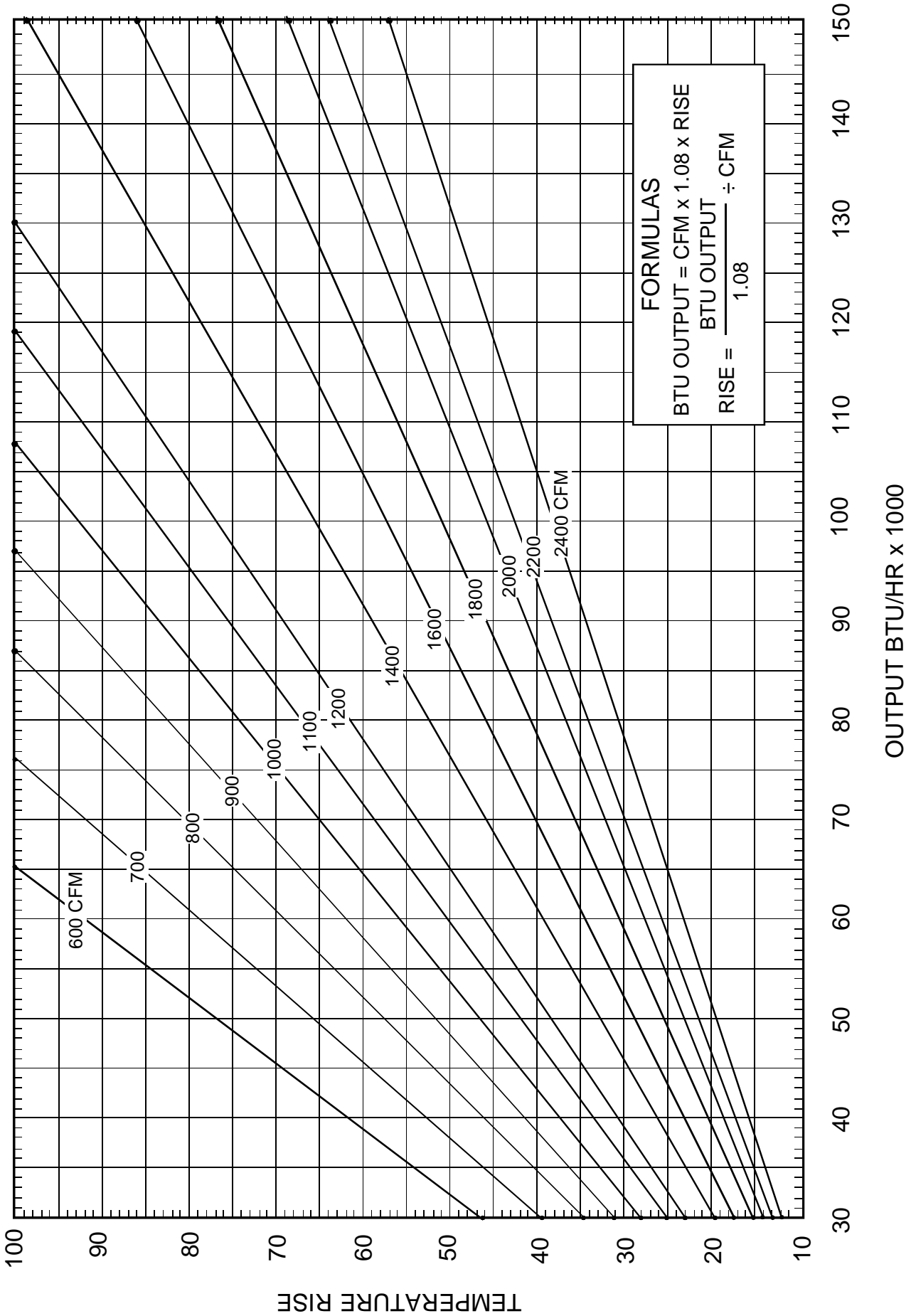
Model	Speed	Volts	E.S.P (In. of H <sub>2</sub> O)								
			0.1	0.2	0.3	0.4	0.5	0.6	0.7	0.8	
GPC1424H41**	T1	230	CFM	934	759	755	638	581	489	-	-
			WATTS	95	77	76	73	83	90	-	-
	T2,T3	230	CFM	990	837	801	744	696	652	601	-
			WATTS	107	94	105	110	119	133	142	-
	T4, T5	230	CFM	1061	989	947	925	876	-	-	-
			WATTS	126	134	146	158	169	-	-	-
GPC1430H41**	T1	230	CFM	1022	929	894	829	797	748	695	643
			WATTS	116	114	126	134	144	156	168	173
	T2,T3	230	CFM	1103	1063	1012	962	937	-	-	-
			WATTS	142	154	165	173	185	-	-	-
	T4, T5	230	CFM	1285	1240	1202	1163	1124	1076	1046	1003
			WATTS	205	218	231	244	257	268	280	288
GPC1436H41**	T1	230	CFM	1234	1111	1071	1024	933	922	-	-
			WATTS	144	140	152	164	179	183	-	-
	T2,T3	230	CFM	1287	1232	1186	1133	1099	1053	-	-
			WATTS	162	175	187	201	213	221	-	-
	T4, T5	230	CFM	1381	1325	1277	1233	1181	1144	-	-
			WATTS	195	203	217	233	247	258	-	-
GPC1442H41**	T1	230	CFM	1272	1197	1145	1106	1055	998	947	906
			WATTS	160	168	183	191	211	220	230	243
	T2,T3	230	CFM	1357	1297	1244	1194	1147	1099	1049	1008
			WATTS	188	202	213	228	245	255	267	284
	T4, T5	230	CFM	1537	1478	1431	1386	1336	1293	1253	1208
			WATTS	244	258	274	288	303	317	329	341
GPC1448H41**	T1	230	CFM	1418	1383	1349	1312	1275	1228	1178	1141
			WATTS	242	258	273	282	299	308	320	338
	T2,T3	230	CFM	1175	1635	1645	1515	1510	1450	1430	1400
			WATTS	395	420	435	445	455	465	470	475
	T4, T5	230	CFM	1845	1790	1715	1685	1590	1580	1530	1500
			WATTS	490	505	520	535	550	560	570	575
GPC1460H41**	T1, T2, T3	230	CFM	1775	1635	1645	1515	1510	1450	1430	1400
			WATTS	395	420	435	445	455	465	470	475
	T4, T5	230	CFM	2025	1900	1840	1780	1725	1650	1620	1580
			WATTS	575	595	620	630	645	655	660	670

NOTES:

1. Data shown is dry coil. Wet coil pressure drop is approx.
2. 0.1" H<sub>2</sub>O, for 2 row indoor coil; 0.2" H<sub>2</sub>O, for 3 row indoor coil; and 0.3" H<sub>2</sub>O, for 4 row indoor coil.
3. Data shown does not include filter pressure drop, approx. 0.08" H<sub>2</sub>O.
4. Reduce airflow by 2% for 208V operation.

# BLOWER PERFORMANCE DATA

BTU OUTPUT vs TEMPERATURE RISE CHART



# PACKAGE COOLING SPECIFICATIONS

# GPC14[24-30]H41AA

		GPC1424H41*	GPC1430H41*
<b>COOLING CAPACITY</b>	COOLING CAPACITY, BTUH	24,600	28,400
	SEER / EER	14.5 / 12.1	14.0 / 12.1
<b>UNIT ELECTRICAL SPECIFICATION</b>	VOLTAGE (NAMEPLATE)	208-230/1/60	208-230/1/60
	AMPS (TOTAL)	10.5	13.16
	MINIMUM CIRCUIT AMPACITY	12.5	15.6
	MAXIMUM OVERCURRENT PROTECTION <sup>(1)</sup>	20	25
<b>COMPRESSOR</b>	TYPE	RECIP	RECIP
	RATED LOAD AMPS	7.9	9.8
	LOCKED ROTOR AMPS	41	55
<b>CONDENSER FAN MOTOR</b>	HORSEPOWER	1/6	1/4
	RPM	815	830
	FULL LOAD AMPS	1.1	1.5
	LOCKED ROTOR AMPS	1.7	3.0
<b>CONDENSER FAN</b>	BLADE DIAMETER (INCHES) / # OF BLADES	22 / 3	22 / 3
<b>CONDENSER COIL</b>	FACE AREA - SQ. FT.	13.4	13.4
	NUMBER OF ROWS	1	1
	FINS PER INCH	24	24
<b>EVAPORATOR BLOWER MOTOR</b>	HORSEPOWER - NO. OF SPEEDS	1/2 - 5	1/2 - 5
	FULL LOAD AMPS	1.5	1.86
	LOCKED ROTOR AMPS	NA	NA
	MOTOR SPEED TAP - COOLING	T2	T2
	RPM	1050	1050
<b>EVAPORATOR BLOWER</b>	DIAMETER X WIDTH (INCHES)	10 X 8	10 X 8
	HI EFFICIENCY COOLING CFM	850	1,050
	5 TON NOMINAL COOLING CFM	NA	NA
	FAN ONLY COOLING CFM	800	950
	MAX EXTERNAL STATIC PRESS ("w.c.)	0.5	0.5
<b>EVAPORATOR COIL</b>	FACE AREA - SQ. FT.	5.25	5.25
	NUMBER OF ROWS	3	3
	FINS PER INCH	16	16
<b>GENERAL INFORMATION</b>	FILTER SIZE - SQ. FT. *	20 x 20 x 1	20 x 25 x 1
	DRAIN SIZE (INCHES)	3/4"	3/4"
	EXPANSION DEVICE	ORIFICE (0.057)	ORIFICE (0.060)
	REFRIGERANT CHARGE R-410A (Oz.)	83	78
	POWER SUPPLY CONDUIT KNOCKOUT SIZE (IN.)	3/4, 1, 1-1/4	3/4, 1, 1-1/4
	LOW VOLTAGE CONDUIT KNOCKOUT SIZE (IN.)	1/2	1/2
	SHIPPING WEIGHT LBS.	310	310
	OPERATING WEIGHT LBS.	300	300

<sup>(1)</sup> Maximum Overcurrent Protection Device: **MUST** use Time Delay Fuse or HACR type Circuit Breaker of the same size as noted.

\* Calculated external filter size based on air velocity of 300 ft/min.

Wire size should be determined in accordance with National Electrical Codes. Extensive wire runs will require larger wire sizes.

Unit specifications are subject to change without notice. **ALWAYS** refer to the units serial plate for the most up-to-date general and electrical information.

**IMPORTANT:** While this data is presented as a guide, it is important to electrically connect the unit and properly size wires and fuses/circuit breakers in accordance with the National Electrical Code and/or all local codes. Data shown is w/o electric heaters.

# PACKAGE COOLING SPECIFICATIONS

# GPC14[36-42]H41AA

		GPC1436H41*	GPC1442H41*
<b>COOLING CAPACITY</b>	COOLING CAPACITY, BTUH	35,600	40,000
	SEER / EER	14.0 / 12.0	14.2/ 12.0
<b>UNIT ELECTRICAL SPECIFICATION</b>	VOLTAGE (NAMEPLATE)	208-230/1/60	208-230/1/60
	AMPS (TOTAL)	20.06	22.2
	MINIMUM CIRCUIT AMPACITY	24.2	26.6
	MAXIMUM OVERCURRENT PROTECTION <sup>(1)</sup>	40	40
<b>COMPRESSOR</b>	TYPE	SCROLL	SCROLL
	RATED LOAD AMPS	16.7	17.9
	LOCKED ROTOR AMPS	79	112
<b>CONDENSER FAN MOTOR</b>	HORSEPOWER	1/4	1/4
	RPM	830	1075
	FULL LOAD AMPS	1.5	1.4
	LOCKED ROTOR AMPS	3.0	2.9
<b>CONDENSER FAN</b>	BLADE DIAMETER (INCHES) / # OF BLADES	22 / 3	22 / 4
<b>CONDENSER COIL</b>	FACE AREA - SQ. FT.	13.4	17.0
	NUMBER OF ROWS	1	1
	FINS PER INCH	24	24
<b>EVAPORATOR BLOWER MOTOR</b>	HORSEPOWER - NO. OF SPEEDS	1/2 - 5	1/2 - 5
	FULL LOAD AMPS	1.86	2.9
	LOCKED ROTOR AMPS	NA	NA
	MOTOR SPEED TAP - COOLING	T2	T2
	RPM	1050	1050
<b>EVAPORATOR BLOWER</b>	DIAMETER X WIDTH (INCHES)	10 X 8	10 x 8
	HI EFFICIENCY COOLING CFM	1,200	1,300
	5 TON NOMINAL COOLING CFM	NA	NA
	FAN ONLY COOLING CFM	1,100	1,200
	MAX EXTERNAL STATIC PRESS ("w.c.)	0.5	0.5
<b>EVAPORATOR COIL</b>	FACE AREA - SQ. FT.	5.2	6.2
	NUMBER OF ROWS	3	4
	FINS PER INCH	14	14
<b>GENERAL INFORMATION</b>	FILTER SIZE - SQ. FT. *	25 x 25 x 1	(2) 20 x 20 x 1
	DRAIN SIZE (INCHES)	3/4"	3/4"
	EXPANSION DEVICE	ORIFICE (0.065)	ORIFICE (0.072)
	REFRIGERANT CHARGE R-410A (Oz.)	80	118
	POWER SUPPLY CONDUIT KNOCKOUT SIZE (IN.)	3/4, 1, 1-1/4	3/4, 1, 1-1/4
	LOW VOLTAGE CONDUIT KNOCKOUT SIZE (IN.)	1/2	1/2
	SHIPPING WEIGHT LBS.	370	370
	OPERATING WEIGHT LBS.	360	360

<sup>(1)</sup> Maximum Overcurrent Protection Device: **MUST** use Time Delay Fuse or HACR type Circuit Breaker of the same size as noted.

\* Calculated external filter size based on air velocity of 300 ft/min.

Wire size should be determined in accordance with National Electrical Codes. Extensive wire runs will require larger wire sizes.

Unit specifications are subject to change without notice. **ALWAYS** refer to the units serial plate for the most up-to-date general and electrical information.

**IMPORTANT:** While this data is presented as a guide, it is important to electrically connect the unit and properly size wires and fuses/circuit breakers in accordance with the National Electrical Code and/or all local codes. Data shown is w/o electric heaters.

# PACKAGE COOLING SPECIFICATIONS

# GPC14[48-60]H41AA

		GPC1448H41*	GPC1460H41*
<b>COOLING CAPACITY</b>	COOLING CAPACITY, BTUH	46,500	57,500
	SEER / EER	14.5 / 12.0	14.5 / 12.0
<b>UNIT ELECTRICAL SPECIFICATION</b>	VOLTAGE (NAMEPLATE)	208-230/1/60	208-230/1/60
	AMPS (TOTAL)	24.2	30.7
	MINIMUM CIRCUIT AMPACITY	29.1	37.3
	MAXIMUM OVERCURRENT PROTECTION <sup>(1)</sup>	45	60
<b>COMPRESSOR</b>	TYPE	SCROLL	SCROLL
	RATED LOAD AMPS	19.9	26.4
	LOCKED ROTOR AMPS	109	134
<b>CONDENSER FAN MOTOR</b>	HORSEPOWER	1/4	1/4
	RPM	1075	1075
	FULL LOAD AMPS	1.4	1.4
	LOCKED ROTOR AMPS	2.9	2.9
<b>CONDENSER FAN</b>	BLADE DIAMETER (INCHES) / # OF BLADES	22 / 4	22 / 4
<b>CONDENSER COIL</b>	FACE AREA - SQ. FT.	19.1	19.1
	NUMBER OF ROWS	1	2
	FINS PER INCH	21	16
<b>EVAPORATOR BLOWER MOTOR</b>	HORSEPOWER - NO. OF SPEEDS	3/4 - 5	3/4 - 5
	FULL LOAD AMPS	2.9	2.9
	LOCKED ROTOR AMPS	NA	NA
	MOTOR SPEED TAP - COOLING	T2	T2
	RPM	1050	1050
<b>EVAPORATOR BLOWER</b>	DIAMETER X WIDTH (INCHES)	10 x 8	11 x 8
	HI EFFICIENCY COOLING CFM	1,600	1,600
	5 TON NOMINAL COOLING CFM	NA	1,800
	FAN ONLY COOLING CFM	1,400	1,600
	MAX EXTERNAL STATIC PRESS ("w.c.)	0.5	0.5
<b>EVAPORATOR COIL</b>	FACE AREA - SQ. FT.	6.2	7.0
	NUMBER OF ROWS	4	4
	FINS PER INCH	14	14
<b>GENERAL INFORMATION</b>	FILTER SIZE - SQ. FT. *	(2) 20 x 20 x 1	(2) 20 x 25 x 1
	DRAIN SIZE (INCHES)	3/4"	3/4"
	EXPANSION DEVICE	ORIFICE (0.076)	ORIFICE (0.088)
	REFRIGERANT CHARGE R-410A (Oz.)	123	188
	POWER SUPPLY CONDUIT KNOCKOUT SIZE (IN.)	3/4, 1, 1-1/4	3/4, 1, 1-1/4
	LOW VOLTAGE CONDUIT KNOCKOUT SIZE (IN.)	1/2	1/2
	SHIPPING WEIGHT LBS.	400	400
	OPERATING WEIGHT LBS.	390	390

<sup>(1)</sup> Maximum Overcurrent Protection Device: **MUST** use Time Delay Fuse or HACR type Circuit Breaker of the same size as noted.

\* Calculated external filter size based on air velocity of 300 ft/min.

Wire size should be determined in accordance with National Electrical Codes. Extensive wire runs will require larger wire sizes.

Unit specifications are subject to change without notice. **ALWAYS** refer to the units serial plate for the most up-to-date general and electrical information.

**IMPORTANT:** While this data is presented as a guide, it is important to electrically connect the unit and properly size wires and fuses/circuit breakers in accordance with the National Electrical Code and/or all local codes. Data shown is w/o electric heaters.









# COOLING PERFORMANCE DATA

# GPC1430H41AA

## MODEL: GPC1430H41A\*

## EXPANDED PERFORMANCE DATA

## COOLING OPERATION

Design Subcooling, 10 ± 2 °F @ the liquid access fitting connection ARI 95 test conditions. Design Superheat 10 ± 2 °F @ the compressor suction access fitting connection.

IDB*	Airflow	Outdoor Ambient Temperature																									
		65			75			85			105			115													
		59	63	67	71	59	63	67	71	59	63	67	71	59	63	67	71										
80	1180	MBh	28.8	29.4	31.4	33.6	28.1	28.7	30.7	32.8	27.5	28.1	30.0	32.1	26.8	27.4	29.3	31.3	25.5	26.0	27.8	29.7	23.6	24.1	25.7	27.5	
		ST	0.96	0.89	0.72	0.54	1.00	0.92	0.75	0.56	1.00	0.94	0.77	0.57	1.00	1.00	0.79	0.59	1.00	1.00	0.82	0.62	1.00	1.00	0.83	0.62	
		Delta T	21	20	18	14	22	21	18	14	21	21	18	14	21	21	18	14	20	20	18	14	18	19	17	13	
		KW	1.89	1.93	2.00	2.07	2.04	2.09	2.16	2.23	2.30	2.18	2.23	2.30	2.38	2.30	2.35	2.43	2.52	2.40	2.46	2.54	2.63	2.49	2.55	2.63	2.73
		AMPS	7.8	8.0	8.2	8.5	8.4	8.6	8.9	9.2	9.1	9.3	9.6	9.9	9.7	9.7	9.9	10.2	10.6	10.3	10.5	10.8	11.2	10.9	11.1	11.5	11.9
		HI PR	244	263	278	290	274	295	312	325	312	336	354	370	355	382	404	421	400	430	454	474	474	442	475	502	523
		LO PR	114	121	132	141	120	128	139	149	125	133	145	154	131	139	152	162	137	146	160	170	170	142	151	165	176
		MBh	28.0	28.6	30.5	32.6	27.3	27.9	29.8	31.9	26.7	27.2	29.1	31.1	26.0	26.6	28.4	30.4	24.7	25.3	27.0	28.8	22.9	23.4	25.0	26.7	
		ST	0.90	0.85	0.69	0.52	0.94	0.88	0.72	0.53	0.96	0.90	0.73	0.55	0.99	0.93	0.76	0.57	1.00	0.97	0.79	0.59	1.00	0.97	0.79	0.59	
		Delta T	22	21	18	15	22	21	19	15	22	21	19	15	22	22	19	15	22	21	19	15	20	20	17	14	
		KW	1.88	1.92	1.98	2.05	2.03	2.07	2.14	2.22	2.16	2.21	2.29	2.36	2.28	2.33	2.41	2.49	2.38	2.43	2.52	2.61	2.47	2.52	2.61	2.70	
		AMPS	7.8	7.9	8.2	8.5	8.3	8.5	8.8	9.1	9.0	9.2	9.5	9.8	9.6	9.8	10.1	10.5	10.2	10.4	10.7	11.1	10.8	11.0	11.4	11.8	
HI PR	242	260	275	287	272	292	309	322	309	332	351	366	352	379	400	417	396	426	450	469	437	470	497	518			
LO PR	113	120	131	139	119	126	138	147	124	131	144	153	130	138	151	161	136	145	158	168	141	150	163	174			
MBh	25.8	26.4	28.2	30.1	25.2	25.8	27.5	29.4	24.6	25.1	26.9	28.7	24.0	24.5	26.2	28.0	22.8	23.3	24.9	26.6	21.1	21.6	23.1	24.7			
ST	0.87	0.82	0.67	0.50	0.90	0.85	0.69	0.52	0.93	0.87	0.71	0.53	0.96	0.90	0.73	0.55	0.99	0.93	0.76	0.57	1.00	0.94	0.76	0.57			
Delta T	22	22	19	15	23	22	19	15	23	22	19	15	23	22	19	15	23	22	19	15	21	20	18	14			
KW	1.83	1.87	1.93	2.00	1.98	2.02	2.09	2.16	2.11	2.15	2.23	2.30	2.22	2.27	2.35	2.43	2.32	2.37	2.45	2.54	2.40	2.46	2.54	2.63			
AMPS	7.6	7.7	8.0	8.2	8.1	8.3	8.6	8.9	8.8	9.0	9.3	9.6	9.3	9.6	9.9	10.2	9.9	10.1	10.5	10.8	10.5	10.7	11.1	11.5			
HI PR	235	253	267	278	263	283	299	312	300	322	340	355	341	367	388	404	384	413	436	455	424	456	482	503			
LO PR	109	116	127	135	115	123	134	143	120	128	139	148	126	134	146	156	132	140	153	163	136	145	159	169			
85	1180	MBh	29.3	29.9	31.3	33.4	28.6	29.2	30.6	32.6	27.9	28.5	29.8	31.8	27.3	27.8	29.1	31.1	25.9	26.4	27.7	29.5	24.0	24.5	25.6	27.3	
		ST	0.99	0.96	0.87	0.70	1.00	0.99	0.90	0.73	1.00	1.00	0.92	0.75	1.00	1.00	0.95	0.77	1.00	1.00	0.99	0.80	1.00	1.00	0.99	0.81	
		Delta T	23	22	21	18	22	23	21	18	22	22	21	18	21	22	22	19	20	21	21	18	19	19	20	17	
		KW	1.91	1.95	2.01	2.08	2.06	2.11	2.18	2.25	2.32	2.20	2.25	2.32	2.41	2.32	2.37	2.45	2.54	2.42	2.48	2.56	2.65	2.51	2.57	2.66	2.75
		AMPS	7.9	8.1	8.3	8.6	8.5	8.7	8.9	9.3	9.2	9.4	9.7	10.0	9.8	10.0	10.3	10.7	10.4	10.6	10.9	11.3	10.9	11.2	11.6	12.0	
		HI PR	247	266	281	293	277	298	315	328	315	339	358	373	359	386	408	425	404	434	459	478	446	480	507	529	
		LO PR	115	122	133	142	121	129	141	150	126	134	146	156	132	141	154	164	139	148	161	172	144	153	167	178	
		MBh	28.5	29.0	30.4	32.4	27.8	28.3	29.7	31.7	27.1	27.7	29.0	30.9	26.5	27.0	28.3	30.1	25.1	25.6	26.8	28.6	23.3	23.7	24.9	26.5	
		ST	0.95	0.91	0.83	0.67	0.98	0.95	0.86	0.69	1.00	0.97	0.88	0.71	1.00	1.00	0.91	0.73	1.00	1.00	0.94	0.76	1.00	1.00	0.95	0.77	
		Delta T	24	23	22	19	24	24	22	19	24	24	22	19	23	24	22	19	22	22	22	22	19	20	21	18	
		KW	1.89	1.93	2.00	2.07	2.04	2.09	2.16	2.23	2.30	2.18	2.23	2.30	2.38	2.30	2.35	2.43	2.52	2.40	2.46	2.54	2.63	2.49	2.55	2.63	2.73
		AMPS	7.8	8.0	8.2	8.5	8.4	8.6	8.9	9.2	9.1	9.3	9.6	9.9	9.7	9.7	9.9	10.2	10.6	10.3	10.5	10.8	11.2	10.9	11.1	11.5	11.9
HI PR	244	263	278	290	274	295	312	325	312	336	354	370	355	382	404	421	400	430	454	474	442	475	502	523			
LO PR	114	121	132	141	120	128	139	149	125	133	145	154	131	139	152	162	137	146	160	170	142	151	165	176			
MBh	26.3	26.8	28.0	29.9	25.7	26.1	27.4	29.2	25.0	25.5	26.7	28.5	24.4	24.9	26.1	27.8	23.2	23.7	24.8	26.4	21.5	21.9	23.0	24.5			
ST	0.91	0.88	0.80	0.65	0.95	0.91	0.82	0.67	0.97	0.94	0.85	0.69	1.00	0.97	0.87	0.71	1.00	1.00	0.91	0.73	1.00	1.00	0.91	0.74			
Delta T	24	24	22	19	24	24	23	20	24	24	23	20	24	24	24	23	20	23	24	22	19	21	22	21	18		
KW	1.84	1.89	1.95	2.01	1.99	2.04	2.11	2.18	2.12	2.17	2.25	2.32	2.24	2.29	2.37	2.45	2.34	2.39	2.47	2.56	2.42	2.48	2.56	2.65			
AMPS	7.6	7.8	8.0	8.3	8.2	8.4	8.6	8.9	8.9	9.1	9.3	9.7	9.4	9.6	10.0	10.3	10.0	10.2	10.6	10.9	10.6	10.8	11.2	11.6			
HI PR	237	255	269	281	266	286	302	315	303	326	344	359	345	371	392	408	388	417	441	459	428	461	487	508			
LO PR	110	117	128	136	116	124	135	144	121	129	141	150	127	135	148	157	133	142	155	165	138	147	160	171			

NOTE: Shaded area reflects AHRI rating conditions

\* NOTE: Shaded area is AHRI Rating Conditions  
 IDB: Entering Indoor Dry Bulb Temperature  
 High and low pressures are measured at the liquid and suction access fittings.  
 KW = Total system power  
 AMPS: Unit amps (comp.+ evaporator + condenser fan motors)

# COOLING PERFORMANCE DATA

# GPC1436H41AA

## MODEL: GPC1436H41A\* EXPANDED PERFORMANCE DATA COOLING OPERATION

Design Subcooling, 10 ±2 °F @ the liquid access fitting connection ARI 95 test conditions. Design Superheat 9 ±2 °F @ the compressor suction access fitting connection.

IDB*	Airflow	Outdoor Ambient Temperature																													
		65					75					85					95					105					115				
		59	63	67	71	75	59	63	67	71	75	59	63	67	71	75	59	63	67	71	75	59	63	67	71	75	59	63	67	71	75
70	1349	MBh	34.9	36.2	39.6	-	34.1	35.3	38.7	-	33.3	34.5	37.8	-	32.5	33.6	36.9	-	30.8	32.0	35.0	-	28.6	29.6	32.4	-					
		ST	0.76	0.64	0.44	-	0.79	0.66	0.46	-	0.81	0.68	0.47	-	0.84	0.70	0.48	-	0.87	0.72	0.50	-	0.87	0.73	0.51	-					
		Delta T	18	16	12	-	18	16	12	-	18	16	12	-	18	16	12	-	18	16	12	-	17	15	11	-					
		KW	2.33	2.38	2.45	-	2.51	2.57	2.65	-	2.67	2.73	2.82	-	2.81	2.88	2.97	-	2.93	3.00	3.10	-	3.04	3.11	3.21	-					
		AMPS	10.5	10.8	11.0	-	11.3	11.5	11.8	-	12.1	12.3	12.7	-	12.8	13.1	13.4	-	13.5	13.8	14.2	-	14.2	14.5	14.9	-					
	1200	HI PR	238	256	271	-	267	288	304	-	304	327	345	-	346	372	393	-	389	419	442	-	430	463	489	-					
		LO PR	107	114	125	-	114	121	132	-	118	126	137	-	124	132	144	-	130	138	151	-	134	143	156	-					
		MBh	33.9	35.1	38.5	-	33.1	34.3	37.6	-	32.3	33.5	36.7	-	31.5	32.7	35.8	-	29.9	31.0	34.0	-	27.7	28.7	31.5	-					
		ST	0.73	0.61	0.42	-	0.75	0.63	0.44	-	0.77	0.64	0.45	-	0.80	0.67	0.46	-	0.83	0.69	0.48	-	0.83	0.70	0.48	-					
		Delta T	19	16	12	-	19	17	13	-	19	17	13	-	19	17	13	-	19	16	12	-	18	15	12	-					
1052	KW	2.31	2.36	2.43	-	2.49	2.54	2.63	-	2.65	2.71	2.80	-	2.79	2.85	2.95	-	2.91	2.97	3.07	-	3.01	3.08	3.18	-						
	AMPS	10.5	10.7	11.0	-	11.2	11.4	11.7	-	12.0	12.2	12.6	-	12.7	12.9	13.3	-	13.4	13.7	14.1	-	14.1	14.4	14.8	-						
	HI PR	236	254	268	-	265	285	301	-	301	324	342	-	343	369	389	-	386	415	438	-	426	458	484	-						
	LO PR	106	113	124	-	112	120	131	-	117	124	136	-	123	131	143	-	129	137	149	-	133	142	155	-						
	MBh	31.3	32.4	35.5	-	30.5	31.6	34.7	-	29.8	30.9	33.8	-	29.1	30.1	33.0	-	27.6	28.6	31.4	-	25.6	26.5	29.1	-						
75	1349	ST	0.70	0.58	0.41	-	0.73	0.61	0.42	-	0.74	0.62	0.43	-	0.77	0.64	0.44	-	0.80	0.67	0.46	-	0.80	0.67	0.47	-					
		Delta T	19	17	13	-	19	17	13	-	19	17	13	-	20	17	13	-	19	17	13	-	18	16	12	-					
		KW	2.25	2.30	2.37	-	2.43	2.48	2.56	-	2.58	2.64	2.73	-	2.72	2.78	2.87	-	2.84	2.90	3.00	-	2.94	3.00	3.10	-					
		AMPS	10.2	10.4	10.7	-	10.9	11.1	11.4	-	11.7	11.9	12.3	-	12.4	12.6	13.0	-	13.1	13.3	13.7	-	13.7	14.0	14.4	-					
		HI PR	229	246	260	-	257	276	292	-	292	314	332	-	332	358	378	-	374	402	425	-	413	445	470	-					
	1200	LO PR	103	110	120	-	109	116	127	-	113	121	132	-	119	127	138	-	125	133	145	-	129	137	150	-					
		MBh	35.5	36.5	39.5	42.4	34.7	35.7	38.6	41.4	33.8	34.8	37.7	40.5	33.0	34.0	36.8	39.5	31.4	32.3	34.9	37.5	29.0	29.9	32.4	34.7					
		ST	0.87	0.77	0.59	0.38	0.90	0.80	0.61	0.39	0.92	0.82	0.62	0.40	0.95	0.85	0.64	0.41	0.99	0.88	0.67	0.43	0.99	0.89	0.67	0.43					
		Delta T	21	19	16	11	21	20	16	11	21	20	16	11	21	20	16	11	21	19	16	11	20	18	15	10					
		KW	2.35	2.40	2.47	2.56	2.53	2.59	2.67	2.76	2.69	2.75	2.84	2.94	2.84	2.90	3.00	3.10	2.96	3.03	3.13	3.24	3.06	3.13	3.24	3.35					
1052	AMPS	10.6	10.8	11.1	11.5	11.3	11.6	11.9	12.3	12.2	12.4	12.8	13.2	12.9	13.2	13.5	14.0	13.6	13.9	14.3	14.8	14.3	14.6	15.1	15.6						
	HI PR	241	259	273	285	270	290	307	320	307	330	349	364	350	376	397	414	393	423	447	466	435	468	494	515						
	LO PR	109	116	126	134	115	122	133	142	119	127	138	147	125	133	145	155	131	140	152	162	136	144	158	168						
	MBh	34.4	35.5	38.4	41.2	33.6	34.6	37.5	40.2	32.8	33.8	36.6	39.3	32.0	33.0	35.7	38.3	30.4	31.3	33.9	36.4	28.2	29.0	31.4	33.7						
	ST	0.83	0.74	0.56	0.36	0.86	0.77	0.58	0.37	0.88	0.78	0.59	0.38	0.91	0.81	0.61	0.39	0.94	0.84	0.64	0.41	0.95	0.85	0.64	0.41						
75	1200	Delta T	22	20	16	11	22	20	17	11	22	20	17	11	22	20	17	12	22	20	17	11	20	19	15	11					
		KW	2.33	2.38	2.45	2.54	2.51	2.57	2.65	2.74	2.67	2.73	2.82	2.92	2.81	2.88	2.97	3.07	2.93	3.00	3.10	3.21	3.04	3.11	3.21	3.32					
		AMPS	10.5	10.8	11.0	11.4	11.3	11.5	11.8	12.2	12.1	12.3	12.7	13.1	12.8	13.1	13.4	13.9	13.5	13.8	14.2	14.7	14.2	14.5	14.9	15.4					
		HI PR	238	256	271	282	267	288	304	317	304	327	345	360	346	373	393	410	389	419	443	462	430	463	489	510					
		LO PR	107	114	125	133	114	121	132	140	118	126	137	146	124	132	144	153	130	138	151	161	134	143	156	166					
	1052	MBh	31.8	32.7	35.4	38.0	31.1	32.0	34.6	37.1	30.3	31.2	33.8	36.3	29.6	30.4	33.0	35.4	28.1	28.9	31.3	33.6	26.0	26.8	29.0	31.1					
		ST	0.80	0.71	0.54	0.35	0.83	0.74	0.56	0.36	0.85	0.76	0.57	0.37	0.87	0.78	0.59	0.38	0.91	0.81	0.61	0.39	0.91	0.82	0.62	0.40					
		Delta T	22	20	17	12	22	21	17	12	22	21	17	12	23	21	17	12	22	21	17	12	21	19	16	11					
		KW	2.27	2.32	2.39	2.47	2.45	2.50	2.58	2.67	2.60	2.66	2.75	2.84	2.74	2.80	2.90	2.99	2.86	2.92	3.02	3.12	2.96	3.03	3.13	3.24					
		AMPS	10.3	10.5	10.8	11.1	11.0	11.2	11.5	11.9	11.8	12.0	12.4	12.8	12.5	12.7	13.1	13.5	13.2	13.4	13.8	14.3	13.8	14.1	14.6	15.0					
1052	HI PR	231	249	263	274	259	279	295	307	295	317	335	349	336	361	382	398	378	407	429	448	417	449	474	495						
	LO PR	104	111	121	129	110	117	128	136	114	122	133	142	120	128	140	149	126	134	146	156	130	139	151	161						

\* IDB: Entering Indoor Dry Bulb Temperature

High and low pressures are measured at the liquid and suction access fittings.

NOTE: Shaded area is ACCA (TVA) conditions



# COOLING PERFORMANCE DATA

# GPC1442H41AA

## MODEL: GPC1442H41A\* EXPANDED PERFORMANCE DATA COOLING OPERATION

Design Subcooling, 8 ± 2 °F @ the liquid access fitting connection AHRI 95 test conditions. Design Superheat 8 ± 2 °F @ the compressor suction access fitting connection.

IDB*	Airflow	Outdoor Ambient Temperature																									
		65				75				85				105				115									
		59	63	67	71	59	63	67	71	59	63	67	71	59	63	67	71	59	63	67	71						
70	1461	MBh	39.7	41.1	45.1	-	38.8	40.2	44.0	-	37.8	39.2	43.0	-	36.9	38.3	41.9	-	35.1	36.4	39.8	-	32.5	33.7	36.9	-	
		S/T	0.75	0.63	0.43	-	0.78	0.65	0.45	-	0.80	0.67	0.46	-	0.82	0.69	0.48	-	0.86	0.71	0.49	-	0.86	0.72	0.50	-	
		Delta T	19	16	12	-	19	16	12	-	19	16	12	-	19	17	13	-	19	16	12	-	18	15	12	-	
		KW	2.54	2.60	2.68	-	2.74	2.80	2.89	-	2.92	2.98	3.08	-	3.07	3.14	3.25	-	3.21	3.28	3.39	-	3.32	3.40	3.51	-	
		AMPS	11.6	11.8	12.1	-	12.4	12.6	13.0	-	13.3	13.6	14.0	-	14.1	14.4	14.9	-	14.9	15.3	15.7	-	15.7	16.1	16.6	-	
		HI PR	236	254	268	-	265	285	301	-	301	324	342	-	343	369	390	-	386	415	439	-	426	459	485	-	
	LO PR	110	116	127	-	116	123	134	-	120	128	140	-	126	134	147	-	132	141	154	-	137	146	159	-		
	MBh	38.5	39.9	43.8	-	37.6	39.0	42.7	-	36.7	38.1	41.7	-	35.8	37.1	40.7	-	34.1	35.3	38.7	-	31.5	32.7	35.8	-		
	S/T	0.72	0.60	0.41	-	0.74	0.62	0.43	-	0.76	0.64	0.44	-	0.79	0.66	0.45	-	0.82	0.68	0.47	-	0.82	0.69	0.48	-		
	Delta T	20	17	13	-	20	17	13	-	20	17	13	-	20	17	13	-	20	17	13	-	18	16	12	-		
	KW	2.52	2.58	2.66	-	2.72	2.78	2.87	-	2.89	2.96	3.06	-	3.05	3.12	3.22	-	3.18	3.25	3.36	-	3.29	3.37	3.48	-		
	AMPS	11.5	11.7	12.0	-	12.3	12.5	12.9	-	13.2	13.5	13.9	-	14.0	14.3	14.7	-	14.8	15.1	15.6	-	15.6	15.9	16.4	-		
HI PR	234	251	266	-	262	282	298	-	298	321	339	-	340	366	386	-	382	411	434	-	422	454	480	-			
LO PR	108	115	126	-	115	122	133	-	119	127	138	-	125	133	145	-	131	139	152	-	136	144	157	-			
MBh	35.6	36.9	40.4	-	34.7	36.0	39.4	-	33.9	35.1	38.5	-	33.1	34.3	37.6	-	31.4	32.6	35.7	-	29.1	30.2	33.1	-			
S/T	0.69	0.58	0.40	-	0.72	0.60	0.41	-	0.73	0.61	0.42	-	0.76	0.63	0.44	-	0.79	0.66	0.46	-	0.79	0.66	0.46	-			
Delta T	20	17	13	-	20	17	13	-	20	17	13	-	20	18	13	-	20	17	13	-	19	16	12	-			
KW	2.46	2.51	2.59	-	2.65	2.71	2.80	-	2.82	2.88	2.98	-	2.97	3.04	3.14	-	3.10	3.17	3.27	-	3.21	3.28	3.39	-			
AMPS	11.2	11.4	11.8	-	12.0	12.2	12.6	-	12.9	13.2	13.5	-	13.7	14.0	14.4	-	14.4	14.8	15.2	-	15.2	15.5	16.0	-			
HI PR	227	244	258	-	254	274	289	-	289	311	329	-	329	355	374	-	371	399	421	-	410	441	465	-			
LO PR	105	112	122	-	111	118	129	-	115	123	134	-	121	129	141	-	127	135	148	-	131	140	153	-			
75	1461	MBh	40.4	41.6	45.0	48.3	39.4	40.6	43.9	47.2	38.5	39.6	42.9	46.0	37.5	38.7	41.8	44.9	35.7	36.7	39.7	42.7	33.0	34.0	36.8	39.5	
		S/T	0.85	0.76	0.58	0.37	0.88	0.79	0.60	0.39	0.91	0.81	0.61	0.40	0.94	0.84	0.63	0.41	0.97	0.87	0.66	0.42	0.98	0.88	0.66	0.43	
		Delta T	22	20	16	11	22	20	17	11	22	20	17	11	22	20	17	12	23	21	16	11	22	20	19	15	11
		KW	2.56	2.62	2.70	2.79	2.77	2.83	2.92	3.02	3.02	2.94	3.01	3.11	3.21	3.10	3.17	3.28	3.39	3.23	3.31	3.42	3.54	3.35	3.43	3.54	3.66
		AMPS	11.7	11.9	12.2	12.6	12.5	12.7	13.1	13.5	13.4	13.7	14.1	14.6	14.2	14.5	15.0	15.5	15.1	15.4	15.8	16.4	16.4	15.9	16.2	16.7	17.3
		HI PR	238	257	271	283	268	288	304	317	304	327	346	361	347	373	394	411	390	420	443	462	431	464	490	511	
	LO PR	111	118	128	137	117	124	136	145	121	129	141	150	128	136	148	158	134	142	155	165	138	147	161	171		
	MBh	39.2	40.3	43.7	46.9	38.3	39.4	42.7	45.8	37.4	38.5	41.6	44.7	36.5	37.5	40.6	43.6	34.6	35.7	38.6	41.4	32.1	33.0	35.7	38.4		
	S/T	0.81	0.73	0.55	0.35	0.84	0.75	0.57	0.37	0.87	0.77	0.59	0.38	0.89	0.80	0.60	0.39	0.93	0.83	0.63	0.40	0.93	0.84	0.63	0.41		
	Delta T	23	21	17	12	23	21	17	12	23	21	17	12	23	21	17	12	23	21	17	12	21	20	16	11	11	
	KW	2.54	2.60	2.68	2.77	2.74	2.80	2.89	2.99	2.92	2.98	3.08	3.19	3.07	3.14	3.25	3.36	3.21	3.28	3.39	3.51	3.32	3.40	3.51	3.63		
	AMPS	11.6	11.8	12.1	12.5	12.4	12.6	13.0	13.4	13.3	13.6	14.0	14.5	14.1	14.4	14.9	15.4	14.9	15.3	15.7	16.3	15.7	16.1	16.6	17.1		
HI PR	236	254	268	280	265	285	301	314	301	324	342	357	343	369	390	407	386	415	439	458	427	459	485	506			
LO PR	110	117	127	135	116	123	134	143	120	128	140	149	126	134	147	156	132	141	154	164	137	146	159	169			
MBh	36.2	37.2	40.3	43.3	35.3	36.4	39.4	42.3	34.5	35.5	38.4	41.2	33.6	34.6	37.5	40.2	32.0	32.9	35.6	38.2	29.6	30.5	33.0	35.4			
S/T	0.79	0.70	0.53	0.34	0.81	0.73	0.55	0.35	0.83	0.75	0.56	0.36	0.86	0.77	0.58	0.38	0.89	0.80	0.61	0.39	0.90	0.81	0.61	0.39			
Delta T	23	21	17	12	23	21	18	12	23	21	18	12	23	22	18	12	23	21	17	12	22	20	16	11	11		
KW	2.48	2.53	2.62	2.70	2.67	2.73	2.82	2.92	2.85	2.91	3.00	3.11	3.00	3.06	3.17	3.27	3.13	3.20	3.30	3.42	3.24	3.31	3.42	3.54			
AMPS	11.3	11.5	11.9	12.2	12.1	12.3	12.7	13.1	13.0	13.3	13.7	14.1	13.8	14.1	14.5	15.0	14.6	14.9	15.3	15.8	15.3	15.7	16.1	16.7			
HI PR	229	246	260	271	257	277	292	305	292	314	332	346	333	358	378	394	374	403	425	444	414	445	470	490			
LO PR	106	113	123	131	112	119	130	139	117	124	135	144	123	130	142	152	128	137	149	159	133	141	154	164			

\* IDB: Entering Indoor Dry Bulb Temperature

High and low pressures are measured at the liquid and suction access fittings.

NOTE: Shaded area is ACCA (TVA) conditions





# COOLING PERFORMANCE DATA

# GPC1448H41AA

## MODEL: GPC1448H41A\* EXPANDED PERFORMANCE DATA COOLING OPERATION

Design Subcooling, 10 ± 2 °F @ the liquid access fitting connection AHRI 95 test conditions. Design Superheat 10 ± 2 °F @ the compressor suction access fitting connection.

IDB*	Airflow	Outdoor Ambient Temperature																								
		65				75				85				95				105				115				
		59	63	67	71	59	63	67	71	59	63	67	71	59	63	67	71	59	63	67	71	59	63	67	71	
70	1800	MBh	45.6	47.2	51.7	-	44.5	46.1	50.5	-	43.4	45.0	49.3	-	42.4	43.9	48.1	-	40.3	41.7	45.7	-	37.3	38.7	42.4	-
		ST	0.76	0.64	0.44	-	0.79	0.66	0.46	-	0.81	0.68	0.47	-	0.84	0.70	0.48	-	0.87	0.73	0.50	-	0.88	0.73	0.51	-
		Delta T	18	15	12	-	18	16	12	-	18	16	12	-	18	16	12	-	18	15	12	-	17	14	11	-
		KW	2.94	3.01	3.10	-	3.17	3.24	3.34	-	3.37	3.44	3.56	-	3.55	3.63	3.75	-	3.70	3.78	3.91	-	3.83	3.91	4.04	-
		AMPS	12.7	13.0	13.4	-	13.7	14.0	14.4	-	14.7	15.0	15.5	-	15.6	16.0	16.5	-	16.6	16.9	17.4	-	17.5	17.9	18.4	-
	1600	HI PR	236	254	268	-	264	284	300	-	301	324	342	-	342	369	389	-	385	415	438	-	426	458	484	-
		LO PR	110	117	128	-	117	124	135	-	121	129	141	-	127	135	148	-	133	142	155	-	138	147	160	-
		MBh	44.2	45.9	50.2	-	43.2	44.8	49.1	-	42.2	43.7	47.9	-	41.2	42.7	46.7	-	39.1	40.5	44.4	-	36.2	37.5	41.1	-
		ST	0.73	0.61	0.42	-	0.75	0.63	0.44	-	0.77	0.65	0.45	-	0.80	0.67	0.46	-	0.83	0.69	0.48	-	0.84	0.70	0.48	-
		Delta T	18	16	12	-	19	16	12	-	19	16	12	-	19	16	12	-	19	16	12	-	17	15	11	-
1400	KW	2.92	2.98	3.08	-	3.14	3.21	3.32	-	3.34	3.42	3.53	-	3.52	3.60	3.71	-	3.67	3.75	3.87	-	3.80	3.88	4.01	-	
	AMPS	12.6	12.9	13.3	-	13.6	13.8	14.3	-	14.6	14.9	15.4	-	15.5	15.9	16.3	-	16.4	16.8	17.3	-	17.3	17.7	18.2	-	
	HI PR	233	251	265	-	262	282	297	-	298	320	338	-	339	365	385	-	381	410	433	-	421	454	479	-	
	LO PR	109	116	127	-	116	123	134	-	120	128	139	-	126	134	146	-	132	141	153	-	137	145	159	-	
	MBh	40.8	42.3	46.4	-	39.9	41.3	45.3	-	38.9	40.4	44.2	-	38.0	39.4	43.1	-	36.1	37.4	41.0	-	33.4	34.6	38.0	-	
75	1800	ST	0.70	0.59	0.41	-	0.73	0.61	0.42	-	0.75	0.62	0.43	-	0.77	0.64	0.45	-	0.80	0.67	0.46	-	0.81	0.67	0.47	-
		Delta T	19	16	12	-	19	16	13	-	19	16	13	-	19	17	13	-	19	16	12	-	18	15	12	-
		KW	2.85	2.91	3.00	-	3.07	3.13	3.23	-	3.26	3.33	3.44	-	3.43	3.51	3.62	-	3.57	3.65	3.78	-	3.70	3.78	3.91	-
		AMPS	12.3	12.6	13.0	-	13.2	13.5	13.9	-	14.2	14.5	15.0	-	15.1	15.5	15.9	-	16.0	16.4	16.9	-	16.9	17.2	17.8	-
		HI PR	226	243	257	-	254	273	289	-	289	311	328	-	329	354	374	-	370	398	420	-	409	440	465	-
	1600	LO PR	106	113	123	-	112	119	130	-	116	124	135	-	122	130	142	-	128	136	149	-	133	141	154	-
		MBh	46.3	47.7	51.6	55.4	45.3	46.6	50.4	54.1	44.2	45.5	49.2	52.8	43.1	44.4	48.0	51.6	41.0	42.2	45.6	49.0	37.9	39.1	42.3	45.4
		ST	0.87	0.78	0.59	0.38	0.90	0.80	0.61	0.39	0.92	0.82	0.62	0.40	0.95	0.85	0.64	0.41	0.99	0.88	0.67	0.43	1.00	0.89	0.67	0.43
		Delta T	21	19	15	11	21	19	16	11	21	19	16	11	21	19	16	11	21	19	16	11	19	18	15	10
		KW	2.97	3.03	3.13	3.23	3.20	3.27	3.37	3.48	3.40	3.47	3.59	3.71	3.58	3.66	3.78	3.90	3.73	3.81	3.94	4.07	3.86	3.95	4.08	4.22
1400	AMPS	12.8	13.1	13.5	14.0	13.8	14.1	14.5	15.0	14.8	15.2	15.6	16.2	15.8	16.1	16.6	17.2	16.7	17.1	17.6	18.2	17.6	18.0	18.6	19.2	
	HI PR	238	256	270	282	267	287	303	317	304	327	345	360	346	372	393	410	389	419	442	461	430	463	489	510	
	LO PR	112	119	130	138	118	125	137	146	122	130	142	152	129	137	149	159	135	143	157	167	139	148	162	173	
	MBh	45.0	46.3	50.1	53.8	43.9	45.2	49.0	52.6	42.9	44.2	47.8	51.3	41.9	43.1	46.6	50.1	39.8	40.9	44.3	47.6	36.8	37.9	41.0	44.0	
	ST	0.83	0.74	0.56	0.36	0.86	0.77	0.58	0.37	0.88	0.79	0.59	0.38	0.91	0.81	0.61	0.40	0.94	0.84	0.64	0.41	0.95	0.85	0.64	0.41	
1600	Delta T	21	20	16	11	22	20	16	11	22	20	16	11	22	20	16	11	22	20	16	11	20	18	15	10	
	KW	2.94	3.01	3.10	3.20	3.17	3.24	3.34	3.45	3.37	3.44	3.56	3.68	3.55	3.63	3.75	3.87	3.70	3.78	3.91	4.04	3.83	3.91	4.05	4.18	
	AMPS	12.7	13.0	13.4	13.8	13.7	14.0	14.4	14.9	14.7	15.0	15.5	16.0	15.6	16.0	16.5	17.0	16.6	16.9	17.4	18.1	17.5	17.9	18.4	19.1	
	HI PR	236	254	268	279	264	285	300	313	301	324	342	356	343	369	389	406	385	415	438	457	426	458	484	505	
	LO PR	110	118	128	137	117	124	136	144	121	129	141	151	127	136	148	158	134	142	155	165	138	147	160	171	
1400	MBh	41.5	42.8	46.3	49.7	40.6	41.8	45.2	48.5	39.6	40.8	44.1	47.4	38.6	39.8	43.0	46.2	36.7	37.8	40.9	43.9	34.0	35.0	37.9	40.7	
	ST	0.80	0.71	0.54	0.35	0.83	0.74	0.56	0.36	0.85	0.76	0.57	0.37	0.87	0.78	0.59	0.38	0.91	0.81	0.61	0.40	0.92	0.82	0.62	0.40	
	Delta T	22	20	16	11	22	20	17	11	22	20	17	11	22	20	17	12	22	20	17	11	20	19	15	11	
	KW	2.87	2.93	3.03	3.12	3.09	3.16	3.26	3.37	3.29	3.36	3.47	3.58	3.46	3.54	3.65	3.77	3.61	3.69	3.81	3.94	3.73	3.81	3.94	4.08	
	AMPS	12.4	12.7	13.1	13.5	13.3	13.6	14.0	14.5	14.4	14.7	15.1	15.6	15.2	15.6	16.1	16.6	16.1	16.5	17.0	17.6	17.0	17.4	17.9	18.6	
1400	HI PR	229	246	260	271	256	276	291	304	292	314	331	346	332	358	378	394	374	402	425	443	413	444	469	489	
	LO PR	107	114	124	133	113	120	131	140	118	125	137	146	124	131	144	153	129	138	150	160	134	143	156	166	

\* IDB: Entering Indoor Dry Bulb Temperature  
 High and low pressures are measured at the liquid and suction access fittings.  
 NOTE: Shaded area is ACCA (TVA) conditions

# COOLING PERFORMANCE DATA

# GPC1448H41AA

## MODEL: GPC1448H41A\* EXPANDED PERFORMANCE DATA COOLING OPERATION

Design Subcooling, 10 ± 2 °F @ the liquid access fitting connection AHR1 95 test conditions. Design Superheat 10 ± 2 °F @ the compressor suction access fitting connection.

IDB*	Airflow	Outdoor Ambient Temperature																																															
		65					75					85					95					105					115																						
		59	63	67	71	75	59	63	67	71	75	59	63	67	71	75	59	63	67	71	75	59	63	67	71	75	59	63	67	71	75																		
80	MBh	47.2	48.2	51.5	55.0	46.1	47.1	50.3	53.8	45.0	46.0	49.1	52.5	43.9	44.8	47.9	51.2	41.7	42.6	45.5	48.6	38.6	39.5	42.1	45.1	47.2	48.2	51.5	55.0	46.1	47.1	50.3	53.8	45.0	46.0	49.1	52.5	43.9	44.8	47.9	51.2	41.7	42.6	45.5	48.6	38.6	39.5	42.1	45.1
	ST	0.96	0.89	0.73	0.54	1.00	0.92	0.75	0.56	1.00	0.95	0.77	0.58	1.00	1.00	0.80	0.60	1.00	1.00	0.83	0.62	1.00	1.00	0.83	0.62	0.96	0.89	0.73	0.54	1.00	0.92	0.75	0.56	1.00	0.95	0.77	0.58	1.00	1.00	0.80	0.60	1.00	1.00	0.83	0.62	1.00	1.00	0.83	0.62
	Delta T	23	22	19	15	24	22	19	15	22	22	19	15	22	23	19	16	21	22	19	15	20	20	18	14	23	22	19	15	24	22	19	15	22	23	19	16	21	22	19	15	20	20	18	14	20	20	18	14
	KW	2.99	3.05	3.15	3.25	3.22	3.29	3.40	3.51	3.43	3.50	3.62	3.74	3.61	3.69	3.81	3.94	3.76	3.85	3.97	4.11	3.89	3.98	4.11	4.26	2.99	3.05	3.15	3.25	3.22	3.29	3.40	3.51	3.43	3.50	3.62	3.74	3.61	3.69	3.81	3.94	3.76	3.85	3.97	4.11	3.89	3.98	4.11	4.26
	AMPS	13.0	13.2	13.6	14.1	13.9	14.2	14.6	15.1	15.0	15.3	15.8	16.3	15.9	16.3	16.8	17.3	16.8	17.2	17.7	18.4	17.8	18.2	18.7	19.4	13.0	13.2	13.6	14.1	13.9	14.2	14.6	15.1	15.0	15.3	15.8	16.3	15.9	16.3	16.8	17.3	16.8	17.2	17.7	18.4	17.8	18.2	18.7	19.4
	HI PR	240	259	273	285	270	290	307	320	307	330	349	364	349	376	397	414	393	423	447	466	434	467	494	515	240	259	273	285	270	290	307	320	307	330	349	364	349	376	397	414	393	423	447	466	434	467	494	515
	LO PR	113	120	131	139	119	127	138	147	124	132	144	153	130	138	151	161	136	145	158	168	141	150	164	174	113	120	131	139	119	127	138	147	124	132	144	153	130	138	151	161	136	145	158	168	141	150	164	174
	MBh	45.8	46.8	50.0	53.4	44.7	45.7	48.8	52.2	43.7	44.6	47.7	51.0	42.6	43.5	46.5	49.7	40.5	41.3	44.2	47.2	37.5	38.3	40.9	43.7	45.8	46.8	50.0	53.4	44.7	45.7	48.8	52.2	43.7	44.6	47.7	51.0	42.6	43.5	46.5	49.7	40.5	41.3	44.2	47.2	37.5	38.3	40.9	43.7
	ST	0.91	0.85	0.69	0.52	0.94	0.88	0.72	0.54	0.96	0.90	0.74	0.55	0.99	0.93	0.76	0.57	1.00	0.97	0.79	0.59	1.00	0.98	0.79	0.59	0.91	0.85	0.69	0.52	0.94	0.88	0.72	0.54	0.96	0.90	0.74	0.55	0.99	0.93	0.76	0.57	1.00	0.97	0.79	0.59	1.00	0.98	0.79	0.59
	Delta T	24	23	20	16	24	23	20	16	24	23	20	16	24	23	20	16	23	23	20	16	22	21	19	15	24	23	20	16	24	23	20	16	24	23	20	16	23	23	20	16	22	21	19	15	22	21	19	15
KW	2.97	3.03	3.13	3.23	3.20	3.27	3.37	3.48	3.40	3.47	3.59	3.71	3.58	3.66	3.78	3.91	3.73	3.81	3.94	4.07	3.86	3.95	4.08	4.22	2.97	3.03	3.13	3.23	3.20	3.27	3.37	3.48	3.40	3.47	3.59	3.71	3.58	3.66	3.78	3.91	3.73	3.81	3.94	4.07	3.86	3.95	4.08	4.22	
AMPS	12.9	13.1	13.5	14.0	13.8	14.1	14.5	15.0	14.8	15.2	15.6	16.2	15.8	16.1	16.6	17.2	16.7	17.1	17.6	18.2	17.6	18.0	18.6	19.2	12.9	13.1	13.5	14.0	13.8	14.1	14.5	15.0	14.8	15.2	15.6	16.2	15.8	16.1	16.6	17.2	16.7	17.1	17.6	18.2	17.6	18.0	18.6	19.2	
HI PR	238	256	270	282	267	287	304	317	304	327	345	360	346	372	393	410	389	419	442	461	430	463	489	510	238	256	270	282	267	287	304	317	304	327	345	360	346	372	393	410	389	419	442	461	430	463	489	510	
LO PR	112	119	130	138	118	125	137	146	122	130	142	152	129	137	149	159	135	143	157	167	139	148	162	173	112	119	130	138	118	125	137	146	122	130	142	152	129	137	149	159	135	143	157	167	139	148	162	173	
MBh	42.3	43.2	46.1	49.3	41.3	42.2	45.1	48.2	40.3	41.2	44.0	47.0	39.3	40.2	42.9	45.9	37.3	38.2	40.8	43.6	34.6	35.4	37.8	40.4	42.3	43.2	46.1	49.3	41.3	42.2	45.1	48.2	40.3	41.2	44.0	47.0	39.3	40.2	42.9	45.9	37.3	38.2	40.8	43.6	34.6	35.4	37.8	40.4	
ST	0.87	0.82	0.67	0.50	0.91	0.85	0.69	0.52	0.93	0.87	0.71	0.53	0.96	0.90	0.73	0.55	1.00	0.93	0.76	0.57	1.00	0.94	0.77	0.57	0.87	0.82	0.67	0.50	0.91	0.85	0.69	0.52	0.93	0.87	0.71	0.53	0.96	0.90	0.73	0.55	1.00	0.93	0.76	0.57	1.00	0.94	0.77	0.57	
Delta T	24	23	20	16	25	24	20	16	25	24	20	16	25	24	21	16	24	23	20	16	23	22	19	15	24	23	20	16	25	24	20	16	25	24	20	16	24	23	20	16	24	23	20	16	23	22	19	15	
KW	2.90	2.96	3.05	3.15	3.12	3.19	3.29	3.40	3.31	3.39	3.50	3.61	3.49	3.57	3.68	3.81	3.64	3.72	3.84	3.97	3.76	3.85	3.98	4.11	2.90	2.96	3.05	3.15	3.12	3.19	3.29	3.40	3.31	3.39	3.50	3.61	3.49	3.57	3.68	3.81	3.64	3.72	3.84	3.97	3.76	3.85	3.98	4.11	
AMPS	12.5	12.8	13.2	13.6	13.4	13.7	14.1	14.6	14.5	14.8	15.2	15.8	15.4	15.7	16.2	16.8	16.3	16.6	17.1	17.7	17.2	17.5	18.1	18.7	12.5	12.8	13.2	13.6	13.4	13.7	14.1	14.6	14.5	14.8	15.2	15.8	15.4	15.7	16.2	16.8	16.3	16.6	17.1	17.7	17.2	17.5	18.1	18.7	
HI PR	231	248	262	274	259	279	294	307	295	317	335	349	336	361	381	398	378	406	429	447	417	449	474	494	231	248	262	274	259	279	294	307	295	317	335	349	336	361	381	398	378	406	429	447	417	449	474	494	
LO PR	108	115	126	134	114	122	133	141	119	126	138	147	125	133	145	154	131	139	152	162	135	144	157	167	108	115	126	134	114	122	133	141	119	126	138	147	125	133	145	154	131	139	152	162	135	144	157	167	

NOTE: Shaded area reflects AHR1 rating conditions

IDB*	Airflow	Outdoor Ambient Temperature																																															
		65					75					85					95					105					115																						
		59	63	67	71	75	59	63	67	71	75	59	63	67	71	75	59	63	67	71	75	59	63	67	71	75	59	63	67	71	75																		
80	MBh	48.0	48.9	51.2	54.7	46.9	47.8	50.0	53.4	45.8	46.6	48.8	52.1	44.6	45.5	47.7	50.8	42.4	43.2	45.3	48.3	39.3	40.0	41.9	44.7	48.0	48.9	51.2	54.7	46.9	47.8	50.0	53.4	45.8	46.6	48.8	52.1	44.6	45.5	47.7	50.8	42.4	43.2	45.3	48.3	39.3	40.0	41.9	44.7
	ST	1.00	0.96	0.87	0.70	1.00	1.00	0.90	0.73	1.00	1.00	0.92	0.75	1.00	1.00	0.95	0.77	1.00	1.00	0.99	0.80	1.00	1.00	0.81	1.00	0.96	0.87	0.70	1.00	1.00	0.90	0.73	1.00	1.00	0.92	0.75	1.00	1.00	0.95	0.77	1.00	1.00	0.99	0.80	1.00	1.00	0.81		
	Delta T	24	24	23	20	24	24	23	20	23	24	23	20	23	23	23	20	22	22	23	20	20	20	21	18	24	24	23	20	24	24	23	20	23	24	23	20	22	22	23	20	20	20	21	18	20	20	21	18
	KW	3.01	3.08	3.18	3.28	3.25	3.32	3.43	3.54	3.46	3.53	3.65	3.77	3.64	3.72	3.84	3.97	3.79	3.88	4.01	4.14	3.93	4.02	4.15	4.29	3.01	3.08	3.18	3.28	3.25	3.32	3.43	3.54	3.46	3.53	3.65	3.77	3.64	3.72	3.84	3.97	3.79	3.88	4.01	4.14	3.93	4.02	4.15	4.29
	AMPS	13.1	13.3	13.7	14.2	14.0	14.3	14.7	15.2	15.1	15.4	15.9	16.4	16.0	16.4	16.9	17.5	17.0	17.4	17.9	18.5	17.9	18.3	18.9	19.6	13.1	13.3	13.7	14.2	14.0	14.3	14.7	15.2	15.1	15.4	15.9	16.4	16.0	16.4	16.9	17.5	17.0	17.4	17.9	18.5	17.9	18.3	18.9	19.6
	HI PR	243	261	276	288	272	293	310	323	310	333	352	367	353	380	401	418	397	427	451	471	439	472	499	520	243	261	276	288	272	293	310	323	310	333	352	367	353	380	40									

# COOLING PERFORMANCE DATA

# GPC1460H41AA

## MODEL: GPC1460H41A\* EXPANDED PERFORMANCE DATA COOLING OPERATION

Design Subcooling, 6 ± 2 °F @ the liquid access fitting connection AHRI 95 test conditions. Design Superheat 9 ± 2 °F @ the compressor suction access fitting connection.

IDB*	Airflow	Outdoor Ambient Temperature																													
		65						75						85						105						115					
		59	63	67	71	59	63	67	71	59	63	67	71	59	63	67	71	59	63	67	71	59	63	67	71						
70	1800	MBh	56.3	58.4	64.0	-	55.0	57.0	62.5	-	53.7	55.7	61.0	-	52.4	54.3	59.5	-	49.8	51.6	56.5	-	46.1	47.8	52.4	-					
		ST	0.71	0.60	0.41	-	0.74	0.62	0.43	-	0.76	0.63	0.44	-	0.78	0.65	0.45	-	0.81	0.68	0.47	-	0.82	0.69	0.47	-					
		Delta T	21	18	14	-	21	18	14	-	21	18	14	-	21	18	14	-	21	18	14	-	19	17	13	-					
		KW	3.70	3.78	3.91	-	4.00	4.09	4.23	-	4.26	4.36	4.51	-	4.49	4.60	4.75	-	4.69	4.80	4.96	-	4.86	4.97	5.14	-					
		AMPS	15.7	16.0	16.5	-	16.9	17.2	17.8	-	18.2	18.6	19.2	-	19.4	19.9	20.5	-	20.6	21.1	21.7	-	21.7	22.3	23.0	-					
	1600	HI PR	238	256	271	-	267	288	304	-	304	327	345	-	346	373	393	-	390	419	443	-	430	463	489	-					
		LO PR	108	115	125	-	114	121	132	-	118	126	137	-	124	132	144	-	130	139	151	-	135	143	156	-					
		MBh	54.7	56.7	62.1	-	53.4	55.4	60.7	-	52.2	54.1	59.2	-	50.9	52.7	57.8	-	48.3	50.1	54.9	-	44.8	46.4	50.9	-					
		ST	0.68	0.57	0.39	-	0.71	0.59	0.41	-	0.72	0.60	0.42	-	0.75	0.62	0.43	-	0.78	0.65	0.45	-	0.78	0.65	0.45	-					
		Delta T	21	19	14	-	22	19	14	-	22	19	14	-	22	19	14	-	22	19	14	-	20	17	13	-					
1400	KW	3.67	3.75	3.88	-	3.97	4.06	4.19	-	4.23	4.32	4.47	-	4.46	4.56	4.71	-	4.65	4.76	4.92	-	4.82	4.93	5.10	-						
	AMPS	15.6	15.9	16.4	-	16.7	17.1	17.6	-	18.1	18.5	19.1	-	19.2	19.7	20.3	-	20.4	20.9	21.5	-	21.6	22.1	22.8	-						
	HI PR	236	254	268	-	265	285	301	-	301	324	342	-	343	369	390	-	386	415	438	-	426	459	484	-						
	LO PR	107	114	124	-	113	120	131	-	117	125	136	-	123	131	143	-	129	137	150	-	133	142	155	-						
	MBh	50.5	52.3	57.3	-	49.3	51.1	56.0	-	48.1	49.9	54.7	-	47.0	48.7	53.3	-	44.6	46.2	50.7	-	41.3	42.8	46.9	-						
75	1800	ST	0.66	0.55	0.38	-	0.68	0.57	0.39	-	0.70	0.58	0.40	-	0.72	0.60	0.42	-	0.75	0.62	0.43	-	0.75	0.63	0.44	-					
		Delta T	22	19	14	-	22	19	14	-	22	19	15	-	22	19	15	-	22	19	14	-	20	18	13	-					
		KW	3.58	3.66	3.78	-	3.87	3.95	4.08	-	4.12	4.21	4.35	-	4.34	4.44	4.59	-	4.53	4.63	4.79	-	4.69	4.80	4.97	-					
		AMPS	15.2	15.5	16.0	-	16.3	16.7	17.2	-	17.6	18.0	18.6	-	18.7	19.2	19.8	-	19.9	20.3	21.0	-	21.0	21.5	22.2	-					
		HI PR	229	246	260	-	257	276	292	-	292	314	332	-	333	358	378	-	374	403	425	-	413	445	470	-					
	1600	LO PR	103	110	120	-	109	116	127	-	114	121	132	-	119	127	139	-	125	133	145	-	129	138	150	-					
		MBh	57.3	59.0	63.9	68.5	56.0	57.6	62.4	66.9	54.6	56.3	60.9	65.3	53.3	54.9	59.4	63.8	50.6	52.1	56.4	60.6	46.9	48.3	52.3	56.1					
		ST	0.81	0.73	0.55	0.35	0.84	0.75	0.57	0.37	0.86	0.77	0.58	0.38	0.89	0.80	0.60	0.39	0.92	0.83	0.63	0.40	0.93	0.83	0.63	0.41					
		Delta T	24	22	18	12	24	22	18	13	24	22	18	13	24	22	18	13	24	22	18	12	22	21	17	12					
		KW	3.73	3.82	3.94	4.07	4.03	4.12	4.26	4.41	4.30	4.40	4.55	4.70	4.53	4.64	4.79	4.96	4.73	4.84	5.01	5.18	4.90	5.02	5.19	5.37					
1400	AMPS	15.8	16.2	16.7	17.2	17.0	17.4	17.9	18.6	18.4	18.8	19.4	20.1	19.6	20.0	20.7	21.4	20.8	21.3	21.9	22.7	21.9	22.5	23.2	24.0						
	HI PR	241	259	273	285	270	291	307	320	307	330	349	364	350	376	397	415	393	423	447	466	435	468	494	515						
	LO PR	109	116	126	135	115	122	134	142	120	127	139	148	126	134	146	155	132	140	153	163	136	145	158	168						
	MBh	55.6	57.3	62.0	66.5	54.3	55.9	60.6	65.0	53.0	54.6	59.1	63.4	51.8	53.3	57.7	61.9	49.2	50.6	54.8	58.8	45.5	46.9	50.8	54.5						
	ST	0.77	0.69	0.52	0.34	0.80	0.72	0.54	0.35	0.82	0.74	0.56	0.36	0.85	0.76	0.58	0.37	0.88	0.79	0.60	0.38	0.89	0.80	0.60	0.39						
1600	Delta T	25	23	19	13	25	23	19	13	25	23	19	13	25	23	19	13	25	23	19	13	23	21	18	12						
	KW	3.70	3.79	3.91	4.04	4.00	4.09	4.23	4.37	4.26	4.36	4.51	4.66	4.49	4.60	4.75	4.92	4.69	4.80	4.96	5.14	4.86	4.97	5.14	5.32						
	AMPS	15.7	16.0	16.5	17.1	16.9	17.3	17.8	18.4	18.2	18.6	19.2	19.9	19.4	19.9	20.5	21.2	20.6	21.1	21.7	22.5	21.7	22.3	23.0	23.8						
	HI PR	238	256	271	282	267	288	304	317	304	327	346	360	346	373	394	410	390	419	443	462	430	463	489	510						
	LO PR	108	115	125	133	114	121	132	141	118	126	137	146	124	132	144	154	130	139	151	161	135	143	157	167						
1400	MBh	51.3	52.9	57.2	61.4	50.2	51.6	55.9	60.0	49.0	50.4	54.6	58.6	47.8	49.2	53.2	57.1	45.4	46.7	50.6	54.3	42.0	43.3	46.8	50.3						
	ST	0.75	0.67	0.51	0.33	0.77	0.69	0.52	0.34	0.79	0.71	0.54	0.35	0.82	0.73	0.55	0.36	0.85	0.76	0.58	0.37	0.86	0.77	0.58	0.37						
	Delta T	25	23	19	13	25	23	19	13	26	24	19	13	26	24	19	13	25	23	19	13	24	22	18	12						
	KW	3.61	3.69	3.81	3.94	3.90	3.99	4.12	4.26	4.15	4.25	4.39	4.54	4.38	4.48	4.63	4.79	4.57	4.67	4.83	5.00	4.73	4.84	5.01	5.18						
	AMPS	15.3	15.6	16.1	16.7	16.4	16.8	17.3	17.9	17.8	18.2	18.7	19.4	18.9	19.3	19.9	20.7	20.0	20.5	21.2	21.9	21.2	21.7	22.4	23.2						
1400	HI PR	231	249	263	274	259	279	295	307	295	317	335	350	336	361	382	398	378	407	429	448	418	449	474	495						
	LO PR	105	111	121	129	110	118	128	137	115	122	133	142	121	128	140	149	126	134	147	156	131	139	152	162						

\* IDB: Entering Indoor Dry Bulb Temperature

High and low pressures are measured at the liquid and suction access fittings.

NOTE: Shaded area is ACCA (TVA) conditions





# COOLING PERFORMANCE DATA

## PERFORMANCE TEST

All data based upon listed indoor dry bulb temperature. .00 inches external static pressure on coil of outdoor section. Indoor air cubic feet per minute (CFM) as listed in the Performance Data Sheets:

If conditions vary from this, results will change as follows:

1. As indoor dry bulb temperatures increase, a slight increase will occur in indoor air temperature drop (Delta T). Low and high side pressures and power will not change.
2. As indoor CFM decreases, a slight increase will occur in indoor temperature drop (Delta T). A slight decrease will occur in low and high side pressures and power.

A properly operating unit should be within plus or minus **3 degrees** of the typical (**Delta T**) value shown.

A properly operating unit should be within plus or minus **7 PSIG** of the **HI PR** shown.

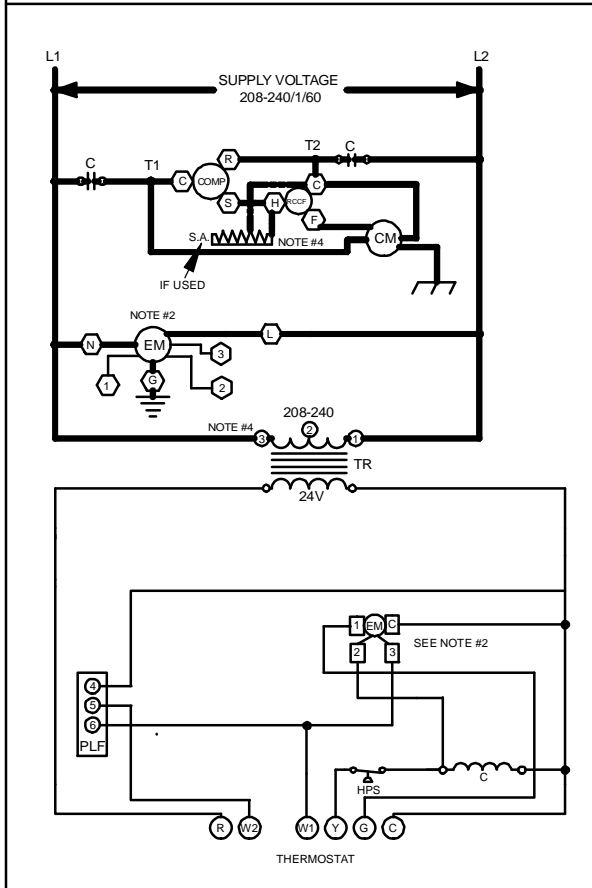
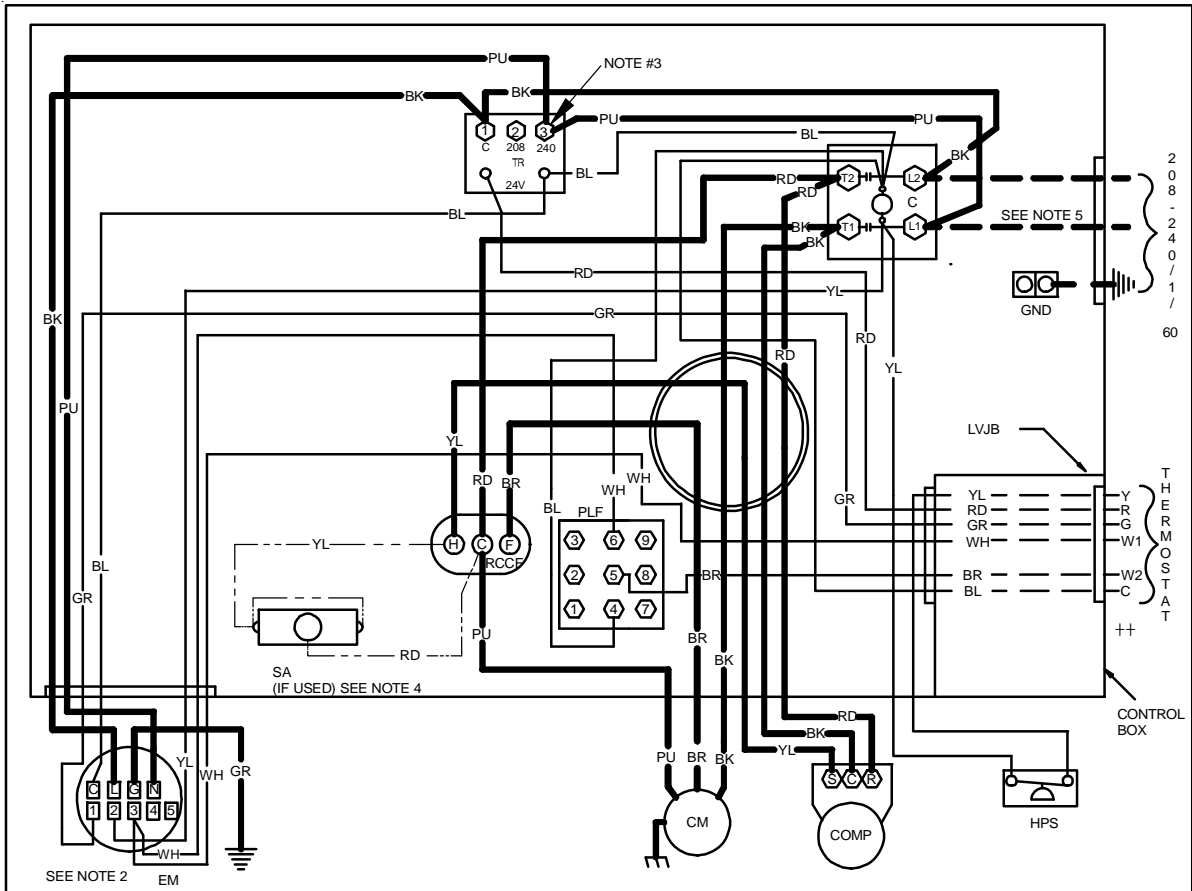
A properly operating unit should be within plus or minus **3 PSIG** of the **LO PR** shown.

A properly operating unit should be within plus or minus **3 Amps** of the typical value shown.



**HIGH VOLTAGE!**  
DISCONNECT ALL POWER BEFORE SERVICING OR INSTALLING THIS UNIT. MULTIPLE POWER SOURCES MAY BE PRESENT. FAILURE TO DO SO MAY CAUSE PROPERTY DAMAGE, PERSONAL INJURY OR DEATH.

**WARNING**



COMPONENT LEGEND		FACTORY WIRING	
C	CONTACTOR	—	LINE VOLTAGE
CM	CONDENSER MOTOR	—	LOW VOLTAGE
COMP	COMPRESSOR	---	OPTIMAL HIGH VOLTAGE
EM	EVAPORATOR MOTOR	---	VOLTAGE
GND	EQUIPMENT GROUND	—	FIELD WIRING
LVJB	LOW VOLTAGE JUNCTION BOX	—	HIGH VOLTAGE
PLF	FEMALE PLUG / CONNECTOR	---	LOW VOLTAGE
RCCF	RUN CAPACITOR FOR COMPRESSOR AND FAN		
SA	START ASSIST		
TR	TRANSFORMER		
HPS	HIGH PRESSURE SWITCH		
		WIRE CODE	
		BK	BLACK
		BL	BLUE
		BR	BROWN
		GR	GREEN
		OR	ORANGE
		PU	PURPLE
		RD	RED
		WH	WHITE
		YL	YELLOW

- NOTES:**
1. REPLACEMENT WIRE MUST BE SAME SIZE AND TYPE INSULATION AS ORIGINAL (AT LEAST 105°C) USE COPPER CONDUCTOR ONLY.
  2. TO CHANGE EVAPORATOR MOTOR SPEED MOVE WHITE AND YELLOW LEADS FROM EM "2" AND "3" TO "4" AND "5". IF BOTH LEADS ARE ENERGIZED, THE HIGHER SPEED SETTING IS USED.
  3. FOR 208 VOLT TRANSFORMER OPERATION MOVE PURPLE WIRES FROM TERMINAL 3 TO TERMINAL 2 ON TRANSFORMER.
  4. START ASSIST FACTORY EQUIPPED WHEN REQUIRED
  5. USE COPPER CONDUCTORS ONLY.
- ++ USE N.E.C. CLASS 2 WIRE

SEE UNIT RATING PLATE FOR TYPE AND SIZE OF OVER CURRENT PROTECTION

Wiring is subject to change. Always refer to the wiring diagram on the unit for the most up-to-date wiring.

# GPC 14 SEER R-410A 5mm Package Air Conditioners

GPC1424H41AB GPC1442H41AB  
GPC1430H41AB GPC1448H41AB  
GPC1436H41AB

## PRODUCT DESIGN

GPC Package Cooling Units are designed for outdoor installations only in either residential or light commercial applications.

The connecting ductwork (Supply and Return) can be connected for either horizontal or vertical airflow. In the vertical application a matching Roof Curb is recommended.

A return air filter must be installed behind the return air grille(s) or provision must be made for a filter in an accessible location within the return air duct. The minimum filter area should not be less than those sizes listed in the Specification Section. Under no circumstances should the unit be operated without return air filters.

A 3/4" PVC pipe is provided for removal of condensate water from the indoor coil. In order to provide proper condensate flow, a drain trap is supplied and shipped loose inside the unit for field installation. (Do not reduce the drain line size.)

Refrigerant flow control is achieved by use of restrictor orifices. GPC units use the FasTest Access Fitting System with a saddle that is either soldered to the suction and liquid lines or is fastened with a locking nut to the access fitting box (core) and then screwed into the saddle. **Do not remove the core from the saddle until the refrigerant charge has been removed. Failure to do so could result in property damage or personal injury.**

The single phase units use permanent split capacitor (PSC) design compressors. Starting components are therefore not required for these units. A low microfarad run capacitor assists the compressor to start and remains in the circuit during operation.

All GPC14 units have X-13 indoor blower motors that are energized by a 24V signal from the thermostat and are constant torque motors with very low power consumption. The X-13 features an integral control module.

Air for condensing (cooling cycle) is drawn through the outdoor coil by a propeller fan, and is discharged vertically out the top of the unit. The outdoor coil is designed for .0 static. No additional restriction (ductwork) shall be applied.

Conditioned air is drawn through the filter(s), field installed, across the coil and back into the conditioned space by the indoor blower.

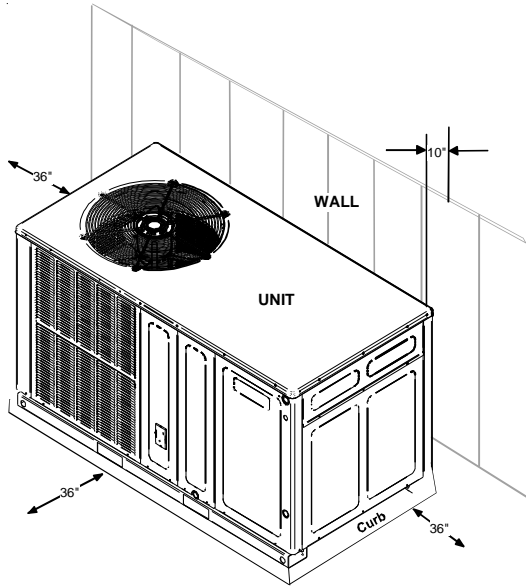
GPC1424-60H41AB models use Copeland Scroll Compressors. There are a number of design characteristics which are different from the traditional reciprocating compressor.

- Due to their design Scroll Compressors are inherently more tolerant of liquid refrigerant. **NOTE:** Even though the compressor section of a Scroll compressor is more tolerant of liquid refrigerant, continued floodback or flooded start conditions may wash oil from the bearing surfaces causing premature bearing failure.
- Scroll Compressors use white oil which is compatible with 3GS oil which may be used if additional oil is required.
- Operating pressures and amp draws may differ from standard reciprocating compressors. This information may be found in the "Cooling Performance Data" section.

# PRODUCT DESIGN

## Location and Clearances

**NOTE:** To ensure proper condensate drainage, unit must be installed in a level position.



In installations where the unit is installed above ground level and not serviceable from the ground (Example: Roof Top installations), the installer must provide service platform for service person with rails or guards in accordance with local codes or ordinances or in their absence with the latest edition of the Uniform Mechanical Code Section 305.

**NOTE:** Unit can also use roof curb.

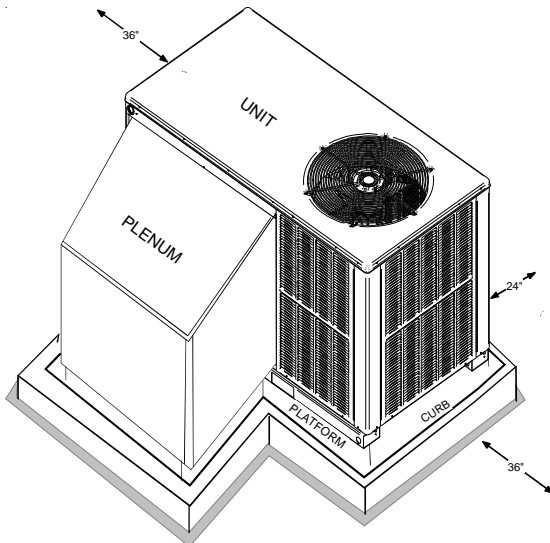
## **WARNING**

**TO PREVENT POSSIBLE PROPERTY DAMAGE, THE UNIT SHOULD REMAIN IN AN UPRIGHT POSITION DURING ALL RIGGING AND MOVING OPERATIONS. TO FACILITATE LIFTING AND MOVING IF A CRANE IS USED, PLACE THE UNIT IN AN ADEQUATE CABLE SLING.**

Refer to Roof Curb Installation Instructions for proper curb installation. Curbing must be installed in compliance with the National Roofing Contractors Association Manual.

## Outside Slab Installation - Horizontal (H)

Minimum clearances are required to avoid air recirculation and keep the unit operating at peak efficiency.



## Rooftop Installation - Horizontal (H)

# PACKAGE COOLING SPECIFICATIONS

# GPC14[24-30]H41AB

**MODELS WITH 5MM COILS**

		GPC1424H41AB	GPC1430H41AB
<b>COOLING CAPACITY</b>	COOLING CAPACITY, BTUH	24,600	28,400
	SEER / EER	14.5 / 12.1	14.0 / 12.1
<b>ELECTRICAL SPECIFICATION</b>	VOLTAGE (NAMEPLATE)	208-230/1/60	208-230/1/60
	AMPS (TOTAL)	16.1	15.76
	MINIMUM CIRCUIT AMPACITY	19.5	19
	MAXIMUM OVERCURRENT PROTECTION <sup>(1)</sup>	30	30
<b>COMPRESSOR</b>	TYPE	SCROLL	SCROLL
	RATED LOAD AMPS	13.5	12.8
	LOCKED ROTOR AMPS	58.3	64
<b>CONDENSER FAN MOTOR</b>	HORSEPOWER	1/6	1/6
	RPM	815	815
	FULL LOAD AMPS	1.1	1.1
	LOCKED ROTOR AMPS	1.7	1.7
<b>CONDENSER FAN</b>	BLADE DIAMETER (INCHES) / # OF BLADES	22 / 2	22 / 2
<b>CONDENSER COIL</b>	FACE AREA - SQ. FT.	12.3	12.3
	NUMBER OF ROWS	1	1
	FINS PER INCH	26	26
<b>EVAPORATOR BLOWER MOTOR</b>	HORSEPOWER - NO. OF SPEEDS	1/2 - 5	1/2 - 5
	FULL LOAD AMPS	1.5	1.86
	LOCKED ROTOR AMPS	NA	NA
	MOTOR SPEED TAP - COOLING	T2	T2
	RPM	1050	1050
<b>EVAPORATOR BLOWER</b>	DIAMETER X WIDTH (INCHES)	10 X 8	10 X 8
	HI EFFICIENCY COOLING CFM	850	1,050
	FAN ONLY COOLING CFM	800	950
	MAX EXTERNAL STATIC PRESS ("w.c.)	0.5	0.5
<b>EVAPORATOR COIL</b>	FACE AREA - SQ. FT.	5.25	5.25
	NUMBER OF ROWS	3	3
	FINS PER INCH	16	16
<b>GENERAL INFORMATION</b>	FILTER SIZE - SQ. FT. *	20 x 20 x 1	20 x 25 x 1
	DRAIN SIZE (INCHES)	3/4"	3/4"
	EXPANSION DEVICE	ORIFICE (0.057)	ORIFICE (0.062)
	REFRIGERANT CHARGE R-410A (Oz.)	59	53
	POWER SUPPLY CONDUIT KNOCKOUT SIZE (IN.)	3/4, 1, 1-1/4	3/4, 1, 1-1/4
	LOW VOLTAGE CONDUIT KNOCKOUT SIZE (IN.)	1/2	1/2
	SHIPPING WEIGHT LBS.	290	290
	OPERATING WEIGHT LBS.	280	280

<sup>(1)</sup> Maximum Overcurrent Protection Device: **MUST** use Time Delay Fuse or HACR type Circuit Breaker of the same size as noted.

\* Calculated external filter size based on air velocity of 300 ft/min.

Wire size should be determined in accordance with National Electrical Codes. Extensive wire runs will require larger wire sizes.

Unit specifications are subject to change without notice. **ALWAYS** refer to the units serial plate for the most up-to-date general and electrical information.

**IMPORTANT:** While this data is presented as a guide, it is important to electrically connect the unit and properly size wires and fuses/circuit breakers in accordance with the National Electrical Code and/or all local codes. Data shown is w/o electric heaters.

# PACKAGE COOLING SPECIFICATIONS

# GPC14[36-48]H41AB

**MODELS WITH 5MM COILS**

		GPC1436H41AB	GPC1442H41AB	GPC1448H41AB
<b>COOLING CAPACITY</b>	COOLING CAPACITY, BTUH	35,600	40,000	46,500
	SEER / EER	14.0 / 12.0	14.2 / 12.0	14.5 / 12.0
<b>ELECTRICAL SPECIFICATION</b>	VOLTAGE (NAMEPLATE)	208-230/1/60	208-230/1/60	208-230/1/60
	AMPS (TOTAL)	20.06	22.2	24.2
	MINIMUM CIRCUIT AMPACITY	24.2	26.6	29.1
	MAXIMUM OVERCURRENT PROTECTION <sup>(1)</sup>	40	40	45
<b>COMPRESSOR</b>	TYPE	SCROLL	SCROLL	SCROLL
	RATED LOAD AMPS	16.7	17.9	19.9
	LOCKED ROTOR AMPS	79	112	109
<b>CONDENSER FAN MOTOR</b>	HORSEPOWER	1/4	1/4	1/4
	RPM	830	1075	1075
	FULL LOAD AMPS	1.5	1.4	1.4
	LOCKED ROTOR AMPS	3.0	2.9	2.9
<b>CONDENSER FAN</b>	BLADE DIAMETER (INCHES) / # OF BLADES	22 / 3	22 / 4	22 / 4
<b>CONDENSER COIL</b>	FACE AREA - SQ. FT.	12.3	16.0	19.5
	NUMBER OF ROWS	1	1	1
	FINS PER INCH	26	28	28
<b>EVAPORATOR BLOWER MOTOR</b>	HORSEPOWER - NO. OF SPEEDS	1/2 - 5	1/2 - 5	3/4 - 5
	FULL LOAD AMPS	1.86	2.9	2.9
	LOCKED ROTOR AMPS	NA	NA	NA
	MOTOR SPEED TAP - COOLING	T2	T2	T2
	RPM	1050	1050	1050
<b>EVAPORATOR BLOWER</b>	DIAMETER X WIDTH (INCHES)	10 X 8	10 x 8	10 x 8
	HI EFFICIENCY COOLING CFM	1,200	1,300	1,600
	5 TON NOMINAL COOLING CFM	NA	NA	NA
	FAN ONLY COOLING CFM	1,100	1,200	1,400
	MAX EXTERNAL STATIC PRESS ("w.c.)	0.5	0.5	0.5
<b>EVAPORATOR COIL</b>	FACE AREA - SQ. FT.	5.2	6.2	6.2
	NUMBER OF ROWS	3	4	4
	FINS PER INCH	14	14	14
<b>GENERAL INFORMATION</b>	FILTER SIZE - SQ. FT. *	25 x 25 x 1	(2) 20 x 20 x 1	(2) 20 x 20 x 1
	DRAIN SIZE (INCHES)	3/4"	3/4"	3/4"
	EXPANSION DEVICE	ORIFICE (0.068)	ORIFICE (0.072)	ORIFICE (0.078)
	REFRIGERANT CHARGE R-410A (Oz.)	65	94	90
	POWER SUPPLY CONDUIT KNOCKOUT SIZE (IN.)	3/4, 1, 1-1/4	3/4, 1, 1-1/4	3/4, 1, 1-1/4
	LOW VOLTAGE CONDUIT KNOCKOUT SIZE (IN.)	1/2	1/2	1/2
	SHIPPING WEIGHT LBS.	370	370	400
	OPERATING WEIGHT LBS.	360	360	390

<sup>(1)</sup> Maximum Overcurrent Protection Device: **MUST** use Time Delay Fuse or HACR type Circuit Breaker of the same size as noted.

\* Calculated external filter size based on air velocity of 300 ft/min.

Wire size should be determined in accordance with National Electrical Codes. Extensive wire runs will require larger wire sizes.

Unit specifications are subject to change without notice. **ALWAYS** refer to the units serial plate for the most up-to-date general and electrical information.

**IMPORTANT:** While this data is presented as a guide, it is important to electrically connect the unit and properly size wires and fuses/circuit breakers in accordance with the National Electrical Code and/or all local codes. Data shown is w/o electric heaters.





MODEL: GPC1424H41A\*

EXPANDED PERFORMANCE DATA

COOLING OPERATION

IDB*	Airflow	Outdoor Ambient Temperature																																																																																																																																																																																																																																																																																																																																																																																																																																																																																																																																																																																																																																																																																																																																																																																																																																																																																																																																																																																																																																																																																																																																																																																																																																																																																																																																																																																																					
		65					75					85					95					105					115																																																																																																																																																																																																																																																																																																																																																																																																																																																																																																																																																																																																																																																																																																																																																																																																																																																																																																																																																																																																																																																																																																																																																																																																																																																																																																																																																																												
		Entering Indoor Wet Bulb Temperature																																																																																																																																																																																																																																																																																																																																																																																																																																																																																																																																																																																																																																																																																																																																																																																																																																																																																																																																																																																																																																																																																																																																																																																																																																																																																																																																																																																																					
		59	63	67	71	75	79	83	87	91	95	99	103	107	111	115	119	123	127	131	135	139	143	147	151	155	159	163	167	171	175	179	183	187	191	195	199	203	207	211	215	219	223	227	231	235	239	243	247	251	255	259	263	267	271	275	279	283	287	291	295	299	303	307	311	315	319	323	327	331	335	339	343	347	351	355	359	363	367	371	375	379	383	387	391	395	399	403	407	411	415	419	423	427	431	435	439	443	447	451	455	459	463	467	471	475	479	483	487	491	495	499	503	507	511	515	519	523	527	531	535	539	543	547	551	555	559	563	567	571	575	579	583	587	591	595	599	603	607	611	615	619	623	627	631	635	639	643	647	651	655	659	663	667	671	675	679	683	687	691	695	699	703	707	711	715	719	723	727	731	735	739	743	747	751	755	759	763	767	771	775	779	783	787	791	795	799	803	807	811	815	819	823	827	831	835	839	843	847	851	855	859	863	867	871	875	879	883	887	891	895	899	903	907	911	915	919	923	927	931	935	939	943	947	951	955	959	963	967	971	975	979	983	987	991	995	999	1003	1007	1011	1015	1019	1023	1027	1031	1035	1039	1043	1047	1051	1055	1059	1063	1067	1071	1075	1079	1083	1087	1091	1095	1099	1103	1107	1111	1115	1119	1123	1127	1131	1135	1139	1143	1147	1151	1155	1159	1163	1167	1171	1175	1179	1183	1187	1191	1195	1199	1203	1207	1211	1215	1219	1223	1227	1231	1235	1239	1243	1247	1251	1255	1259	1263	1267	1271	1275	1279	1283	1287	1291	1295	1299	1303	1307	1311	1315	1319	1323	1327	1331	1335	1339	1343	1347	1351	1355	1359	1363	1367	1371	1375	1379	1383	1387	1391	1395	1399	1403	1407	1411	1415	1419	1423	1427	1431	1435	1439	1443	1447	1451	1455	1459	1463	1467	1471	1475	1479	1483	1487	1491	1495	1499	1503	1507	1511	1515	1519	1523	1527	1531	1535	1539	1543	1547	1551	1555	1559	1563	1567	1571	1575	1579	1583	1587	1591	1595	1599	1603	1607	1611	1615	1619	1623	1627	1631	1635	1639	1643	1647	1651	1655	1659	1663	1667	1671	1675	1679	1683	1687	1691	1695	1699	1703	1707	1711	1715	1719	1723	1727	1731	1735	1739	1743	1747	1751	1755	1759	1763	1767	1771	1775	1779	1783	1787	1791	1795	1799	1803	1807	1811	1815	1819	1823	1827	1831	1835	1839	1843	1847	1851	1855	1859	1863	1867	1871	1875	1879	1883	1887	1891	1895	1899	1903	1907	1911	1915	1919	1923	1927	1931	1935	1939	1943	1947	1951	1955	1959	1963	1967	1971	1975	1979	1983	1987	1991	1995	1999	2003	2007	2011	2015	2019	2023	2027	2031	2035	2039	2043	2047	2051	2055	2059	2063	2067	2071	2075	2079	2083	2087	2091	2095	2099	2103	2107	2111	2115	2119	2123	2127	2131	2135	2139	2143	2147	2151	2155	2159	2163	2167	2171	2175	2179	2183	2187	2191	2195	2199	2203	2207	2211	2215	2219	2223	2227	2231	2235	2239	2243	2247	2251	2255	2259	2263	2267	2271	2275	2279	2283	2287	2291	2295	2299	2303	2307	2311	2315	2319	2323	2327	2331	2335	2339	2343	2347	2351	2355	2359	2363	2367	2371	2375	2379	2383	2387	2391	2395	2399	2403	2407	2411	2415	2419	2423	2427	2431	2435	2439	2443	2447	2451	2455	2459	2463	2467	2471	2475	2479	2483	2487	2491	2495	2499	2503	2507	2511	2515	2519	2523	2527	2531	2535	2539	2543	2547	2551	2555	2559	2563	2567	2571	2575	2579	2583	2587	2591	2595	2599	2603	2607	2611	2615	2619	2623	2627	2631	2635	2639	2643	2647	2651	2655	2659	2663	2667	2671	2675	2679	2683	2687	2691	2695	2699	2703	2707	2711	2715	2719	2723	2727	2731	2735	2739	2743	2747	2751	2755	2759	2763	2767	2771	2775	2779	2783	2787	2791	2795	2799	2803	2807	2811	2815	2819	2823	2827	2831	2835	2839	2843	2847	2851	2855	2859	2863	2867	2871	2875	2879	2883	2887	2891	2895	2899	2903	2907	2911	2915	2919	2923	2927	2931	2935	2939	2943	2947	2951	2955	2959	2963	2967	2971	2975	2979	2983	2987	2991	2995	2999	3003	3007	3011	3015	3019	3023	3027	3031	3035	3039	3043	3047	3051	3055	3059	3063	3067	3071	3075	3079	3083	3087	3091	3095	3099	3103	3107	3111	3115	3119	3123	3127	3131	3135	3139	3143	3147	3151	3155	3159	3163	3167	3171	3175	3179	3183	3187	3191	3195	3199	3203	3207	3211	3215	3219	3223	3227	3231	3235	3239	3243	3247	3251	3255	3259	3263	3267	3271	3275	3279	3283	3287	3291	3295	3299	3303	3307	3311	3315	3319	3323	3327	3331	3335	3339	3343	3347	3351	3355	3359	3363	3367	3371	3375	3379	3383	3387	3391	3395	3399	3403	3407	3411	3415	3419	3423	3427	3431	3435	3439	3443	3447	3451	3455	3459	3463	3467	3471	3475	3479	3483	3487	3491	3495	3499	3503	3507	3511	3515	3519	3523	3527	3531	3535	3539	3543	3547	3551	3555	3559	3563	3567	3571	3575	3579	3583	3587	3591	3595	3599	3603	3607	3611	3615	3619	3623	3627	3631	3635	3639	3643	3647	3651	3655	3659	3663	3667	3671	3675	3679	3683	3687	3691	3695	3699	3703	3707	3711	3715	3719	3723	3727	3731	3735	3739	3743	3747	3751	3755	3759	3763	3767	3771	3775	3779	3783	3787	3791	3795	3799	3803	3807	3811	3815	3819	3823	3827	3831	3835	3839	3843	3847	3851	3855	3859	3863	3867	3871	3875	3879	3883	3887	3891	3895	3899	3903	3907	3911	3915	3919	3923	3927	3931	3935	3939	3943	3947	3951	3955	3959	3963	3967	3971	3975	3979	3983	3987	3991	3995	3999	4003	4007	4011	4015	4019	4023	4027	4031	4035	4039	4043	4047	4051	4055	4059	4063	4067	4071	4075	4079	4083	4087	4091	4095	4099	4103	4107	4111	4115	4119	4123	4127	4131	4135	4139	4143	4147	4151	4155	4159	4163	4167	4171	4175	4179	4183	4187	4191	4195	4199	4203	4207	4211	4215	4219	4223	4227	4231	4235	4239	4243	4247	4251	4255	4259	4263	4267	4271	4275	4279	4283	4287	4291	4295	4299	4303	4307	4311	4315	4319	4323	4327	4331	4335	4339	4343	4347	4351	4355	4359	4363	4367	4371	4375	4379	4383	4387	4391	4395	4399	4403	4407	4411	4415	4419	4423	4427	4431	4435	4439	4443	4447	4451	4455	4459	4463	4467	4471	4475	4479	4483	4487	4491	4495	4499	4503	4507	4511	4515	4519	4523	4527	4531	4535	4539	4543	4547	4551	4555	4559	4563	4567	4571	4575	4579	4583	4587	4591	4595	4599	4603	4607	4611	4615	4619	4623	4627	4631	4635	4639	4643	4647	4651	4655	4659	4663	4667	4671	4675	4679	4683	4687	4691	4695	4699	4703	4707	4711	4715	4719	4723	4727	4731	4735	4739	4743	4747	4751	4755	4759	4763	4767	4771	4775	4779	4783	4787	4791	4795	4799	4803	4807	4811	4815	4819	4823	4827	4831	4835	4839	4843	4847	4851	4855	4859	4863	4867	4871	4875	4879	4883	4887	4891	4895	4899	4903	4907	4911	4915	4919	4923	4927	4931	4935	4939	4943	4947	4951	4955	4959	4963	4967	4971	4975	4979	4983	4987	4991	4995	4999	5003	5007	5011	5015	5019	5023	5027	5031	5035	5039	5043	5047	5051	5055	5059	5063	5067	5071	5075	5079	5083	5087	5091	5095	5099	5103	5107	5111	5115	5119	5123	5127	5131	5135	5139	5143	5147	5151	5155	5159	5163	5167	5171	5175	5179	5183	5187	5191	5195	5199	5203	5207	5211	5215	5219	5223	5227	5231	5235	5239	5243	5247	5251	5255	5259	5263	5267	5271	5275	5279	5283	5287	5291	5295	5299	5303	5307	5311	5315	5319	5323	5327	5331	5335	5339	5343	5347	5351	5355	5359	5363	5367	5371	5375	5379	5383	5387	5391	5395	5399	5403	5407	5411	5415	5419	5423	5427	5431	5435	5439	5443	5447	5451	5455

IDB* Airflow		Outdoor Ambient Temperature										Cooling Performance																																	
		65					75					85					95					105					115																		
MBh S/T Delta T KW AMPS HI PR LO PR		Entering Indoor Wet Bulb Temperature										Cooling Performance																																	
		59	63	67	71	75	79	83	87	91	95	59	63	67	71	75	79	83	87	91	95	59	63	67	71	75	79	83	87	91	95	59	63	67	71	75	79	83	87	91	95				
70	1145	27.8	28.8	31.6	-	27.2	28.2	30.9	-	26.5	27.5	30.1	-	25.9	26.8	29.4	-	0.81	0.68	0.47	-	0.84	0.70	0.49	-	0.85	0.71	0.49	-	16	13	10	-	22.8	23.6	25.9	-	0.85	0.71	0.49	-	16	13	10	-
	1020	1.75	1.78	1.84	-	1.89	1.93	1.99	-	2.01	2.05	2.12	-	2.12	2.16	2.24	-	2.21	2.26	2.34	-	10.2	10.4	10.7	-	10.7	10.9	11.3	-	423	456	481	-	2.29	2.34	2.42	-	10.7	10.9	11.3	-				
	900	234	252	266	-	263	283	299	-	299	322	340	-	341	367	387	-	383	412	435	-	379	408	431	-	419	451	476	-	423	456	481	-	10.4	10.7	11.0	-	411	442	467	-				
	MBh	27.0	28.0	30.7	-	26.4	27.4	30.0	-	25.8	26.7	29.3	-	25.1	26.1	28.5	-	0.80	0.67	0.47	-	0.80	0.67	0.47	-	0.81	0.68	0.47	-	16	14	11	-	22.1	22.9	25.1	-	0.81	0.68	0.47	-	16	14	11	-
	S/T	0.71	0.59	0.41	-	0.73	0.61	0.42	-	0.75	0.63	0.43	-	0.78	0.65	0.45	-	0.80	0.67	0.47	-	0.80	0.67	0.47	-	0.81	0.68	0.47	-	16	14	11	-	22.1	22.9	25.1	-	0.81	0.68	0.47	-	16	14	11	-
	Delta T	1.7	1.5	1.1	-	1.7	1.5	1.1	-	1.7	1.5	1.1	-	1.8	1.5	1.2	-	1.7	1.5	1.1	-	1.7	1.5	1.1	-	1.7	1.5	1.1	-	16	14	11	-	2.27	2.32	2.40	-	2.27	2.32	2.40	-	2.27	2.32	2.40	-
	KW	1.73	1.77	1.83	-	1.87	1.91	1.97	-	1.99	2.04	2.10	-	2.10	2.15	2.22	-	2.19	2.24	2.32	-	10.1	10.3	10.6	-	10.6	10.8	11.2	-	419	451	476	-	10.4	10.7	11.0	-	411	442	467	-	10.4	10.7	11.0	-
AMPS	7.9	8.0	8.2	-	8.4	8.6	8.8	-	9.0	9.2	9.5	-	9.5	9.8	10.0	-	10.1	10.3	10.6	-	379	408	431	-	419	451	476	-	134	142	155	-	2.23	2.28	2.36	-	2.23	2.28	2.36	-	2.23	2.28	2.36	-	
HI PR	232	250	264	-	260	280	296	-	296	319	336	-	337	363	383	-	379	408	431	-	379	408	431	-	419	451	476	-	423	456	481	-	10.4	10.7	11.0	-	411	442	467	-	411	442	467	-	
LO PR	107	114	124	-	113	120	131	-	117	125	136	-	123	131	143	-	129	137	150	-	129	137	150	-	134	142	155	-	423	456	481	-	10.4	10.7	11.0	-	411	442	467	-	134	142	155	-	
75	1145	28.3	29.1	31.5	33.9	27.6	28.5	30.8	33.1	27.0	27.8	30.1	32.3	26.3	27.1	29.3	31.5	25.0	25.8	27.9	29.9	23.2	23.9	25.8	27.7	23.2	23.9	25.8	27.7	23.2	23.9	25.8	27.7	23.2	23.9	25.8	27.7	23.2	23.9	25.8	27.7	23.2	23.9	25.8	27.7
	1020	1.75	1.79	1.84	1.90	1.89	1.93	1.99	2.06	2.01	2.05	2.12	2.20	2.12	2.17	2.24	2.32	2.21	2.26	2.34	2.42	2.29	2.34	2.42	2.51	2.29	2.34	2.42	2.51	2.29	2.34	2.42	2.51	2.29	2.34	2.42	2.51	2.29	2.34	2.42	2.51	2.29	2.34	2.42	2.51
	900	234	252	266	278	263	283	299	312	299	322	340	354	341	367	387	404	383	412	435	454	423	456	481	502	423	456	481	502	423	456	481	502	423	456	481	502	423	456	481	502	423	456	481	502
	MBh	27.5	28.3	30.6	32.9	26.8	27.6	29.9	32.1	26.2	27.0	29.2	31.3	25.6	26.3	28.5	30.6	24.3	25.0	27.1	29.0	22.5	23.2	25.1	26.9	22.5	23.2	25.1	26.9	22.5	23.2	25.1	26.9	22.5	23.2	25.1	26.9	22.5	23.2	25.1	26.9	22.5	23.2	25.1	26.9
	S/T	0.80	0.72	0.54	0.35	0.83	0.74	0.56	0.36	0.85	0.76	0.58	0.37	0.88	0.79	0.60	0.38	0.91	0.82	0.62	0.40	0.92	0.83	0.65	0.42	0.92	0.83	0.65	0.42	0.92	0.83	0.65	0.42	0.92	0.83	0.65	0.42	0.92	0.83	0.65	0.42	0.92	0.83	0.65	0.42
	Delta T	2.0	1.8	1.5	1.0	2.0	1.9	1.5	1.0	2.0	1.9	1.5	1.1	2.0	1.9	1.5	1.1	2.0	1.8	1.5	1.0	1.9	1.7	1.4	1.0	1.9	1.7	1.4	1.0	1.9	1.7	1.4	1.0	1.9	1.7	1.4	1.0	1.9	1.7	1.4	1.0	1.9	1.7	1.4	1.0
	KW	1.75	1.79	1.84	1.90	1.89	1.93	1.99	2.06	2.01	2.05	2.12	2.20	2.12	2.17	2.24	2.32	2.21	2.26	2.34	2.42	2.29	2.34	2.42	2.51	2.29	2.34	2.42	2.51	2.29	2.34	2.42	2.51	2.29	2.34	2.42	2.51	2.29	2.34	2.42	2.51	2.29	2.34	2.42	2.51
AMPS	7.9	8.1	8.3	8.6	8.5	8.6	8.9	9.2	9.1	9.3	9.5	9.6	9.6	9.8	10.1	10.5	10.2	10.5	10.8	11.1	10.7	10.9	11.3	11.7	10.7	10.9	11.3	11.7	10.7	10.9	11.3	11.7	10.7	10.9	11.3	11.7	10.7	10.9	11.3	11.7	10.7	10.9	11.3	11.7	
HI PR	234	252	266	278	263	283	299	312	299	322	340	354	341	367	387	404	383	412	435	454	423	456	481	502	423	456	481	502	423	456	481	502	423	456	481	502	423	456	481	502	423	456	481	502	
LO PR	108	115	125	133	114	121	132	141	118	126	138	147	118	126	138	147	130	139	151	161	135	144	157	169	135	144	157	169	135	144	157	169	135	144	157	169	135	144	157	169	135	144	157	169	
MBh	26.1	26.9	29.1	31.2	25.5	26.3	28.4	30.5	24.9	25.6	27.7	29.8	24.3	25.0	27.1	29.0	23.1	23.8	25.7	27.6	21.4	22.0	23.8	25.6	21.4	22.0	23.8	25.6	21.4	22.0	23.8	25.6	21.4	22.0	23.8	25.6	21.4	22.0	23.8	25.6	21.4	22.0	23.8	25.6	
S/T	0.77	0.69	0.52	0.34	0.80	0.71	0.54	0.35	0.82	0.73	0.55	0.36	0.84	0.76	0.57	0.37	0.88	0.78	0.59	0.38	0.88	0.79	0.60	0.40	0.88	0.79	0.60	0.40	0.88	0.79	0.60	0.40	0.88	0.79	0.60	0.40	0.88	0.79	0.60	0.40	0.88	0.79	0.60	0.40	
Delta T	2.1	1.9	1.5	1.1	2.1	1.9	1.6	1.1	2.1	1.9	1.6	1.1	2.1	1.9	1.6	1.1	2.1	1.9	1.6	1.1	2.1	1.9	1.6	1.1	2.1	1.9	1.6	1.1	2.1	1.9	1.6	1.1	2.1	1.9	1.6	1.1	2.1	1.9	1.6	1.1	2.1	1.9	1.6	1.1	
KW	1.72	1.76	1.81	1.87	1.85	1.90	1.96	2.02	1.97	2.02	2.09	2.16	2.08	2.13	2.20	2.28	2.17	2.22	2.30	2.38	2.25	2.30	2.38	2.46	2.25	2.30	2.38	2.46	2.25	2.30	2.38	2.46	2.25	2.30	2.38	2.46	2.25	2.30	2.38	2.46	2.25	2.30	2.38	2.46	
AMPS	7.8	8.0	8.2	8.4	8.3	8.5	8.7	9.0	8.9	9.1	9.4	9.7	9.5	9.7	10.0	10.3	10.0	10.2	10.5	10.9	10.5	10.7	11.1	11.4	10.5	10.7	11.1	11.4	10.5	10.7	11.1	11.4	10.5	10.7	11.1	11.4	10.5	10.7	11.1	11.4	10.5	10.7	11.1	11.4	
HI PR	230	247	261	272	258	277	293	305	293	315	333	347	334	359	379	396	376	404	427	445	415	447	472	492	415	447	472	492	415	447	472	492	415	447	472	492	415	447	472	492	415	447	472	492	
LO PR	106	112	123	131	112	119	130	138	116	124	135	144	122	130	142	151	128	136	148	158	132	141	154	164	132	141	154	164	132	141	154	164	132	141	154	164	132	141	154	164	132	141	154	164	

\* IDB: Entering Indoor Dry Bulb Temperature  
NOTE: Shaded area is ACCA (TV) conditions  
High and low pressures are measured at the liquid and suction access fittings.

# COOLING PERFORMANCE DATA

5MM COILS

# GPC1430H41AB

MODEL: GPC1430H41A\*

## EXPANDED PERFORMANCE DATA

COOLING OPERATION

IDB* Airflow	Outdoor Ambient Temperature																									
	65					75					85					105					115					
	59	63	67	71	75	59	63	67	71	75	59	63	67	71	75	59	63	67	71	75	59	63	67	71	75	
80	MBh	28.8	29.4	31.4	33.6	28.1	28.7	30.7	32.8	32.8	27.5	28.1	30.0	32.1	26.8	27.4	29.3	31.3	25.5	26.0	27.8	29.7	23.6	24.1	25.7	27.5
	S/T	0.92	0.87	0.71	0.53	0.96	0.90	0.73	0.55	1.00	0.92	0.75	0.56	1.00	0.95	0.77	0.58	1.00	1.00	1.00	0.80	0.60	1.00	1.00	0.81	0.61
	Delta T	21	20	18	14	22	21	18	14	22	21	18	14	22	21	18	15	20	21	21	18	14	19	19	17	13
	KW	1.78	1.81	1.87	1.94	1.92	1.96	2.03	2.09	2.16	2.23	2.15	2.20	2.28	2.36	2.25	2.30	2.38	2.25	2.30	2.38	2.46	2.33	2.38	2.46	2.55
	AMPS	8.0	8.2	8.4	8.7	8.6	8.8	9.0	9.3	9.2	9.4	9.4	9.7	10.0	9.8	10.0	10.3	10.6	10.3	10.6	10.9	11.2	10.9	11.1	11.4	11.8
	HI PR	239	257	272	283	268	289	305	318	305	328	347	362	348	348	374	395	412	391	421	444	463	432	465	491	512
	LO PR	110	117	128	136	116	124	135	144	121	129	140	150	127	135	147	157	133	142	155	165	165	138	146	160	170
	MBh	28.0	28.6	30.5	32.6	27.3	27.9	29.8	31.9	26.7	27.2	29.1	31.1	26.0	26.6	<b>28.4</b>	30.4	24.7	25.3	27.0	28.8	22.9	23.4	25.0	26.7	
	S/T	0.88	0.83	0.67	0.50	0.91	0.86	0.70	0.52	0.94	0.88	0.71	0.53	0.97	0.91	0.74	0.55	1.00	0.94	0.77	0.57	1.00	0.95	0.77	0.58	
	Delta T	22	21	19	15	22	22	19	15	23	22	19	15	23	22	19	15	22	21	19	15	21	21	20	17	14
	KW	1.76	1.80	1.86	1.92	1.90	1.94	2.01	2.08	2.03	2.07	2.14	2.21	2.14	2.18	<b>2.26</b>	2.34	2.23	2.28	2.36	2.44	2.31	2.36	2.44	2.53	
	AMPS	8.0	8.1	8.4	8.6	8.5	8.7	9.0	9.2	9.2	9.4	9.6	9.9	9.7	9.9	10.2	10.5	10.2	10.5	10.8	11.1	10.8	11.0	11.3	11.7	
	HI PR	237	255	269	281	266	286	302	315	302	325	343	358	344	344	370	<b>391</b>	408	387	417	440	459	428	460	486	507
	LO PR	109	116	127	135	115	123	134	142	120	127	139	148	126	134	146	155	132	140	153	163	136	145	158	169	
	MBh	26.6	27.1	29.0	31.0	25.9	26.5	28.3	30.3	25.3	25.9	27.7	29.6	24.7	25.3	27.0	28.8	23.5	24.0	25.6	27.4	21.7	22.2	23.7	25.4	
S/T	0.84	0.79	0.64	0.48	0.87	0.82	0.67	0.50	0.90	0.84	0.68	0.51	0.93	0.87	0.71	0.53	0.96	0.90	0.73	0.55	0.97	0.91	0.74	0.55		
Delta T	23	22	19	15	23	22	19	15	23	22	19	15	23	22	19	16	23	22	19	15	22	21	18	14		
KW	1.73	1.77	1.83	1.89	1.87	1.91	1.97	2.04	1.99	2.04	2.10	2.18	2.10	2.15	2.22	2.30	2.19	2.24	2.32	2.40	2.27	2.32	2.40	2.48		
AMPS	7.9	8.0	8.2	8.5	8.4	8.6	8.8	9.1	9.0	9.2	9.5	9.8	9.5	9.8	10.0	10.4	10.1	10.3	10.6	11.0	10.6	10.8	11.2	11.5		
HI PR	232	250	264	275	260	280	296	309	296	319	336	351	337	363	383	400	379	408	431	450	419	451	476	497		
LO PR	107	114	124	132	113	120	131	140	117	125	136	145	123	131	143	152	129	137	150	160	134	142	155	165		

NOTE: Shaded area reflects AHR1 rating conditions

IDB* Airflow	Outdoor Ambient Temperature																									
	65					75					85					105					115					
	59	63	67	71	75	59	63	67	71	75	59	63	67	71	75	59	63	67	71	75	59	63	67	71	75	
85	MBh	29.3	29.9	31.3	33.4	28.6	29.2	30.6	32.6	27.9	28.5	29.8	31.8	27.3	27.8	29.1	31.1	25.9	26.4	27.7	29.5	24.0	24.5	25.6	27.3	
	S/T	0.97	0.93	0.84	0.68	1.00	0.97	0.87	0.71	1.00	0.99	0.90	0.73	1.00	1.00	0.93	0.75	1.00	1.00	0.96	0.78	1.00	1.00	0.97	0.79	
	Delta T	23	22	21	18	23	23	21	19	22	23	21	19	22	22	19	19	21	21	21	18	19	20	20	17	
	KW	1.79	1.83	1.89	1.95	1.93	1.98	2.04	2.11	2.06	2.11	2.18	2.25	2.17	2.22	2.30	2.38	2.27	2.32	2.40	2.48	2.35	2.40	2.49	2.57	
	AMPS	8.1	8.3	8.5	8.8	8.7	8.8	9.1	9.4	9.3	9.5	9.8	10.1	9.9	10.1	10.4	10.7	10.4	10.6	11.0	11.3	11.0	11.2	11.5	11.9	
	HI PR	241	260	274	286	271	292	308	321	308	332	350	365	351	378	399	416	395	425	449	468	436	470	496	517	
	LO PR	111	118	129	138	117	125	136	145	122	130	142	151	128	136	149	159	134	143	156	166	139	148	161	172	
	MBh	28.5	29.0	30.4	32.4	27.8	28.3	29.7	31.7	27.1	27.7	29.0	30.9	26.5	27.0	28.3	30.1	25.1	25.6	26.8	28.6	23.3	23.7	24.9	26.5	
	S/T	0.92	0.89	0.80	0.65	0.96	0.92	0.83	0.68	0.98	0.95	0.86	0.69	1.00	0.98	0.88	0.72	1.00	1.00	0.92	0.74	1.00	1.00	0.92	0.75	
	Delta T	24	23	22	19	24	24	22	19	24	24	22	19	24	24	22	19	23	23	22	19	21	21	21	18	
	KW	1.78	1.81	1.87	1.94	1.92	1.96	2.03	2.09	2.04	2.09	2.16	2.23	2.15	2.20	2.28	2.36	2.25	2.30	2.38	2.46	2.33	2.38	2.46	2.55	
	AMPS	8.0	8.2	8.4	8.7	8.6	8.8	9.0	9.3	9.2	9.4	9.7	10.0	9.8	10.0	10.3	10.6	10.3	10.6	10.9	11.2	10.9	11.1	11.4	11.8	
	HI PR	239	257	272	283	268	289	305	318	305	328	347	362	348	348	374	395	412	391	421	444	463	432	465	491	512
	LO PR	110	117	128	136	116	124	135	144	121	129	140	150	127	135	147	157	133	142	155	165	138	146	160	170	
	MBh	27.0	27.6	28.9	30.8	26.4	26.9	28.2	30.1	25.8	26.3	27.5	29.4	25.1	25.6	26.8	28.6	23.9	24.4	25.5	27.2	22.1	22.6	23.6	25.2	
S/T	0.89	0.85	0.77	0.63	0.92	0.89	0.80	0.65	0.94	0.91	0.82	0.66	0.97	0.94	0.85	0.69	1.00	0.97	0.88	0.71	1.00	0.98	0.88	0.72		
Delta T	24	24	23	20	25	24	23	20	25	24	23	20	25	25	23	20	24	24	23	20	23	23	23	21	18	
KW	1.75	1.78	1.84	1.90	1.89	1.93	1.99	2.06	2.01	2.05	2.12	2.19	2.12	2.16	2.24	2.32	2.21	2.26	2.34	2.42	2.29	2.34	2.42	2.51		
AMPS	7.9	8.1	8.3	8.6	8.5	8.6	8.9	9.2	9.1	9.3	9.5	9.9	9.6	9.8	10.1	10.5	10.2	10.4	10.7	11.0	10.7	10.9	11.3	11.6		
HI PR	234	252	266	278	263	283	299	312	299	322	340	354	341	367	387	404	383	412	435	454	423	456	481	502		
LO PR	108	115	125	133	114	121	132	141	118	126	138	147	124	132	145	154	130	139	151	161	135	143	157	167		

\* NOTE: Shaded area is AHR1 Rating Conditions IDB: Entering Indoor Dry Bulb Temperature  
 High and low pressures are measured at the liquid and suction access fittings. KW = Total system power  
 AMPS: Unit amps (comp.+ evaporator + condenser fan motors)

EXPANDED PERFORMANCE DATA

COOLING OPERATION

MODEL: GPC1436H41A\*

		Outdoor Ambient Temperature																																			
		65						75						85						95						105						115					
IDB*	Airflow	Entering Indoor Wet Bulb Temperature																																			
		59	63	67	71	59	63	67	71	59	63	67	71	59	63	67	71	59	63	67	71	59	63	67	71	59	63	67	71								
70	1350	MBh	35.8	37.1	40.7	-	35.0	36.3	39.8	-	34.2	35.4	38.8	-	33.3	34.6	37.9	-	31.7	32.8	36.0	-	29.3	30.4	33.3	-	29.3	30.4	33.3	-							
		S/T	0.74	0.62	0.43	-	0.77	0.64	0.45	-	0.79	0.66	0.46	-	0.82	0.68	0.47	-	0.85	0.71	0.49	-	0.85	0.71	0.49	-	0.85	0.71	0.49	-							
		Delta T	18	16	12	-	18	16	12	-	18	16	12	-	19	16	12	-	18	16	12	-	17	15	11	-	17	15	11	-							
		KW	2.37	2.42	2.50	-	2.56	2.61	2.70	-	2.72	2.78	2.87	-	2.86	2.93	3.02	-	2.98	3.05	3.15	-	3.09	3.16	3.26	-	3.09	3.16	3.26	-							
		AMPS	10.3	10.5	10.8	-	11.0	11.2	11.5	-	11.8	12.0	12.4	-	12.5	12.8	13.2	-	13.2	13.5	13.9	-	13.9	14.2	14.7	-	13.9	14.2	14.7	-							
	1201	HI PR	236	254	268	-	265	285	301	-	301	324	342	-	343	369	390	-	386	415	439	-	426	459	485	-	426	459	485	-	426	459	485	-			
		LO PR	110	117	128	-	117	124	135	-	121	129	141	-	127	135	148	-	133	142	155	-	138	147	160	-	138	147	160	-							
		MBh	34.8	36.1	39.5	-	34.0	35.2	38.6	-	33.2	34.4	37.7	-	32.4	33.5	36.8	-	30.7	31.9	34.9	-	28.5	29.5	32.3	-	28.5	29.5	32.3	-							
		S/T	0.71	0.59	0.41	-	0.73	0.61	0.43	-	0.75	0.63	0.44	-	0.78	0.65	0.45	-	0.81	0.67	0.47	-	0.81	0.68	0.47	-	0.81	0.68	0.47	-							
		Delta T	19	16	12	-	19	17	13	-	19	17	13	-	19	17	13	-	19	16	12	-	18	15	12	-	18	15	12	-							
1052	KW	2.35	2.40	2.48	-	2.54	2.59	2.67	-	2.70	2.76	2.85	-	2.84	2.90	3.00	-	2.96	3.02	3.13	-	3.06	3.13	3.24	-	3.06	3.13	3.24	-								
	AMPS	10.2	10.4	10.7	-	10.9	11.1	11.4	-	11.7	11.9	12.3	-	12.4	12.7	13.1	-	13.1	13.4	13.8	-	13.8	14.1	14.5	-	13.8	14.1	14.5	-								
	HI PR	234	251	266	-	262	282	298	-	298	321	339	-	340	365	386	-	382	411	434	-	422	454	480	-	422	454	480	-								
	LO PR	109	116	127	-	115	123	134	-	120	128	139	-	126	134	146	-	132	141	153	-	137	145	159	-	137	145	159	-								
	MBh	32.1	33.3	36.5	-	31.4	32.5	35.6	-	30.6	31.7	34.8	-	29.9	31.0	33.9	-	28.4	29.4	32.2	-	26.3	27.2	29.9	-	26.3	27.2	29.9	-								
75	1350	S/T	0.68	0.57	0.40	-	0.71	0.59	0.41	-	0.73	0.61	0.42	-	0.75	0.63	0.43	-	0.78	0.65	0.45	-	0.78	0.65	0.45	-	0.78	0.65	0.45	-							
		Delta T	19	17	13	-	19	17	13	-	19	17	13	-	20	17	13	-	19	17	13	-	18	16	12	-	18	16	12	-							
		KW	2.30	2.35	2.42	-	2.47	2.53	2.61	-	2.63	2.69	2.77	-	2.77	2.83	2.92	-	2.88	2.95	3.05	-	2.98	3.05	3.15	-	2.98	3.05	3.15	-							
		AMPS	9.9	10.1	10.4	-	10.6	10.8	11.2	-	11.4	11.7	12.0	-	12.1	12.4	12.7	-	12.8	13.1	13.5	-	13.5	13.8	14.2	-	13.5	13.8	14.2	-							
		HI PR	227	244	258	-	254	274	289	-	289	311	329	-	329	355	374	-	371	399	421	-	409	441	465	-	409	441	465	-							
	1201	LO PR	106	113	123	-	112	119	130	-	116	124	135	-	122	130	142	-	128	136	149	-	133	141	154	-	133	141	154	-							
		MBh	36.4	37.5	40.6	43.6	35.6	36.7	39.7	42.6	34.7	35.8	38.7	41.6	33.9	34.9	37.8	40.6	32.2	33.2	35.9	38.5	29.8	30.7	33.2	35.7											
		S/T	0.84	0.76	0.57	0.37	0.88	0.78	0.59	0.38	0.90	0.80	0.61	0.39	0.93	0.83	0.63	0.40	0.96	0.86	0.65	0.42	0.97	0.87	0.66	0.42											
		Delta T	21	19	16	11	21	20	16	11	21	20	16	11	21	20	16	11	21	19	16	11	20	18	15	10											
		KW	2.39	2.44	2.52	2.60	2.58	2.63	2.72	2.81	2.74	2.80	2.89	2.99	2.89	2.95	3.05	3.15	3.01	3.08	3.18	3.29	3.12	3.19	3.29	3.41											
1052	AMPS	10.3	10.5	10.8	11.2	11.1	11.3	11.6	12.0	11.9	12.1	12.5	12.9	12.6	12.9	13.3	13.7	13.3	13.6	14.0	14.5	14.0	14.4	14.8	15.3												
	HI PR	238	257	271	283	268	288	304	317	304	327	346	361	347	373	394	411	390	420	443	462	431	464	489	510												
	LO PR	111	119	129	138	118	125	137	146	122	130	142	151	129	137	149	159	135	143	157	167	139	148	162	172												
	MBh	35.4	36.4	39.4	42.3	34.6	35.6	38.5	41.3	33.7	34.7	37.6	40.4	32.9	33.9	36.7	39.4	31.3	32.2	34.8	37.4	29.0	29.8	32.3	34.6												
	S/T	0.81	0.72	0.55	0.35	0.84	0.75	0.57	0.36	0.86	0.77	0.58	0.37	0.88	0.79	0.60	0.38	0.92	0.82	0.62	0.40	0.93	0.83	0.63	0.40												
70	1350	Delta T	22	20	16	11	22	20	17	12	22	20	17	12	22	21	17	12	22	20	17	11	21	19	15	11											
		KW	2.37	2.42	2.50	2.58	2.56	2.61	2.70	2.79	2.72	2.78	2.87	2.97	2.86	2.93	3.02	3.12	2.98	3.05	3.15	3.26	3.09	3.16	3.27	3.38											
		AMPS	10.3	10.5	10.8	11.1	11.0	11.2	11.5	11.9	11.8	12.0	12.4	12.8	12.5	12.8	13.2	13.6	13.2	13.5	13.9	14.4	13.9	14.2	14.7	15.2											
		HI PR	236	254	268	280	265	285	301	314	301	324	342	357	343	369	390	407	386	415	439	457	426	459	485	505											
		LO PR	110	117	128	137	117	124	135	144	121	129	141	150	127	135	148	157	133	142	155	165	138	147	160	171											
	1052	MBh	32.7	33.6	36.4	39.1	31.9	32.8	35.6	38.2	31.1	32.1	34.7	37.2	30.4	31.3	33.9	36.3	28.9	29.7	32.2	34.5	26.7	27.5	29.8	32.0											
		S/T	0.78	0.69	0.53	0.34	0.81	0.72	0.55	0.35	0.83	0.74	0.56	0.36	0.85	0.76	0.58	0.37	0.88	0.79	0.60	0.39	0.89	0.80	0.60	0.39											
		Delta T	22	20	17	12	22	21	17	12	22	21	17	12	23	21	17	12	22	21	17	12	21	19	16	11											
		KW	2.32	2.36	2.44	2.52	2.49	2.55	2.63	2.72	2.65	2.71	2.80	2.89	2.79	2.85	2.95	3.05	2.91	2.97	3.07	3.18	3.01	3.08	3.18	3.29											
		AMPS	10.0	10.2	10.5	10.8	10.7	10.9	11.2	11.6	11.5	11.8	12.1	12.5	12.2	12.5	12.8	13.3	12.9	13.2	13.6	14.0	13.6	13.9	14.3	14.8											
1052	HI PR	229	246	260	271	257	276	292	304	292	314	332	346	333	358	378	394	374	403	425	444	414	445	470	490												
	LO PR	107	114	124	132	113	120	131	140	118	125	137	145	123	131	143	153	129	138	150	160	134	142	155	166												

\* IDB: Entering Indoor Dry Bulb Temperature

High and low pressures are measured at the liquid and suction access fittings.

NOTE: Shaded area is ACCA (TVA) conditions

# COOLING PERFORMANCE DATA

5MM COILS

GPC1436H41AB

## EXPANDED PERFORMANCE DATA

## COOLING OPERATION

MODEL: GPC1436H41A\*

IDB*	Airflow	Outdoor Ambient Temperature																									
		65				75				85				95													
		59	63	67	71	59	63	67	71	59	63	67	71	59	63	67	71										
80	1350	MBh	37.1	37.9	40.5	43.3	36.2	37.0	39.6	42.3	35.4	36.1	38.6	41.3	34.5	35.3	37.7	40.3	32.8	33.5	35.8	38.3	30.4	31.0	33.1	35.4	
		S/T	0.93	0.87	0.71	0.53	0.96	0.90	0.73	0.55	1.00	0.92	0.75	0.56	1.00	0.95	0.78	0.58	1.00	1.00	1.00	0.81	0.60	1.00	1.00	0.81	0.61
		Delta T	23	22	20	16	24	23	20	16	24	23	20	16	24	23	20	16	22	22	23	20	16	21	21	18	15
		KW	2.41	2.46	2.54	2.62	2.60	2.65	2.74	2.83	2.76	2.83	2.92	3.02	2.91	2.98	3.07	3.18	3.03	3.03	3.10	3.21	3.32	3.14	3.21	3.32	3.44
		AMPS	10.4	10.6	10.9	11.3	11.1	11.4	11.7	12.1	12.0	12.2	12.6	13.0	12.7	13.0	13.4	13.8	13.4	13.4	13.7	14.2	14.6	14.2	14.5	14.9	15.4
		HI PR	241	259	274	285	270	291	307	320	307	331	349	364	350	377	398	415	394	424	424	447	467	435	468	494	516
		LO PR	113	120	131	139	119	127	138	147	124	132	144	153	130	138	151	161	136	145	158	168	141	150	164	174	174
		MBh	36.0	36.8	39.3	42.0	35.2	35.9	38.4	41.1	34.3	35.1	37.5	40.1	33.5	34.2	<b>36.6</b>	39.1	31.8	32.5	34.7	37.1	29.5	30.1	32.2	34.4	
		S/T	0.88	0.83	0.67	0.50	0.92	0.86	0.70	0.52	0.94	0.88	0.72	0.54	0.97	0.91	0.74	0.55	1.00	0.94	0.77	0.57	1.00	0.95	0.77	0.58	
		Delta T	24	23	20	16	25	24	21	16	25	24	21	16	25	24	21	17	24	23	20	16	23	22	19	15	
		KW	2.39	2.44	2.52	2.60	2.58	2.63	2.72	2.81	2.74	2.80	2.89	2.99	2.89	2.95	<b>3.05</b>	3.15	3.01	3.08	3.18	3.29	3.12	3.19	3.29	3.41	
		AMPS	10.3	10.6	10.8	11.2	11.1	11.3	11.6	12.0	11.9	12.1	12.5	12.9	12.6	12.9	<b>13.3</b>	13.7	13.3	13.6	14.0	14.5	14.0	14.4	14.8	15.3	
HI PR	238	257	271	283	268	288	304	317	304	327	346	361	347	373	<b>394</b>	411	390	420	443	462	431	464	489	511			
LO PR	111	119	129	138	118	125	137	146	122	130	142	151	129	137	<b>149</b>	159	135	143	157	167	139	148	162	172			
1052	1350	MBh	33.2	34.0	36.3	38.8	32.5	33.2	35.4	37.9	31.7	32.4	34.6	37.0	30.9	31.6	33.8	36.1	29.4	30.0	32.1	34.3	27.2	27.8	29.7	31.8	
		S/T	0.85	0.80	0.65	0.49	0.88	0.83	0.67	0.50	0.91	0.85	0.69	0.52	0.93	0.88	0.71	0.53	0.97	0.91	0.74	0.55	0.98	0.92	0.75	0.56	
		Delta T	25	24	21	16	25	24	21	17	25	24	21	17	25	24	21	17	25	24	21	17	23	22	19	15	
		KW	2.33	2.38	2.46	2.54	2.51	2.57	2.65	2.74	2.67	2.73	2.82	2.92	2.81	2.88	2.97	3.07	2.93	3.00	3.10	3.20	3.04	3.10	3.21	3.32	
		AMPS	10.1	10.3	10.6	10.9	10.8	11.0	11.3	11.7	11.6	11.9	12.2	12.6	12.3	12.6	12.9	13.4	13.0	13.3	13.7	14.2	13.7	14.0	14.4	14.9	
		HI PR	231	249	263	274	260	279	295	308	295	318	335	350	336	362	382	398	378	407	430	448	418	450	475	495	
		LO PR	108	115	126	134	114	122	133	141	119	126	138	147	125	133	145	154	131	139	152	162	135	144	157	167	
		MBh	36.6	37.4	39.1	41.7	35.8	36.5	38.2	40.8	34.9	35.6	37.3	39.8	34.1	34.7	36.4	38.8	32.4	33.0	34.6	36.9	30.0	30.6	32.0	34.2	
		S/T	0.93	0.88	0.81	0.65	0.96	0.93	0.84	0.68	0.98	0.95	0.86	0.70	1.00	0.98	0.89	0.72	1.00	1.00	0.92	0.75	1.00	1.00	0.93	0.75	
		Delta T	26	26	24	21	26	26	24	21	26	26	24	21	26	26	25	21	25	25	24	21	23	23	23	20	
		KW	2.41	2.46	2.54	2.62	2.60	2.65	2.74	2.83	2.76	2.83	2.92	3.02	2.91	2.98	3.07	3.18	3.03	3.10	3.21	3.32	3.14	3.21	3.32	3.44	
		AMPS	10.4	10.6	10.9	11.3	11.1	11.4	11.7	12.1	12.0	12.2	12.6	13.0	12.7	13.0	13.4	13.8	13.4	13.7	14.2	14.6	14.2	14.5	14.9	15.4	
HI PR	241	259	274	285	270	291	307	320	307	331	349	364	350	377	398	415	394	424	447	467	435	468	494	516			
LO PR	113	120	131	139	113	121	133	141	124	132	144	153	130	138	151	161	136	145	158	168	141	150	164	174			
85	1201	MBh	33.8	34.5	36.1	38.5	33.0	33.7	35.3	37.6	32.2	32.9	34.4	36.7	31.5	32.1	33.6	35.8	29.9	30.5	31.9	34.0	27.7	28.2	29.6	31.5	
		S/T	0.89	0.86	0.78	0.63	0.93	0.89	0.81	0.65	0.95	0.92	0.83	0.67	0.98	0.95	0.85	0.69	1.00	0.98	0.89	0.72	1.00	0.99	0.89	0.72	
		Delta T	26	26	25	21	27	26	25	21	27	26	25	22	27	26	25	22	26	26	25	21	24	24	23	20	
		KW	2.35	2.40	2.48	2.56	2.53	2.59	2.67	2.76	2.70	2.75	2.84	2.94	2.84	2.90	3.00	3.10	2.96	3.02	3.12	3.23	3.06	3.13	3.24	3.35	
		AMPS	10.2	10.4	10.7	11.0	10.9	11.1	11.4	11.8	11.7	11.9	12.3	12.7	12.4	12.7	13.0	13.5	13.1	13.4	13.8	14.3	13.8	14.1	14.5	15.0	
		HI PR	234	251	265	277	262	282	298	311	298	321	339	353	340	365	386	402	382	411	434	453	422	454	480	500	
		LO PR	109	116	127	135	115	123	134	143	120	128	139	148	126	134	146	156	132	140	153	163	137	145	159	169	
		MBh	36.6	37.4	39.1	41.7	35.8	36.5	38.2	40.8	34.9	35.6	37.3	39.8	34.1	34.7	36.4	38.8	32.4	33.0	34.6	36.9	30.0	30.6	32.0	34.2	
		S/T	0.93	0.88	0.81	0.65	0.96	0.93	0.84	0.68	0.98	0.95	0.86	0.70	1.00	0.98	0.89	0.72	1.00	1.00	0.92	0.75	1.00	1.00	0.93	0.75	
		Delta T	26	26	24	21	26	26	24	21	26	26	24	21	26	26	25	21	25	25	24	21	23	23	23	20	
		KW	2.41	2.46	2.54	2.62	2.60	2.65	2.74	2.83	2.76	2.83	2.92	3.02	2.91	2.98	3.07	3.18	3.03	3.10	3.21	3.32	3.14	3.21	3.32	3.44	
		AMPS	10.4	10.6	10.9	11.3	11.1	11.4	11.7	12.1	12.0	12.2	12.6	13.0	12.7	13.0	13.4	13.8	13.4	13.7	14.2	14.6	14.2	14.5	14.9	15.4	
HI PR	241	259	274	285	270	291	307	320	307	331	349	364	350	377	398	415	394	424	447	467	435	468	494	516			
LO PR	113	120	131	139	113	121	133	141	124	132	144	153	130	138	151	161	136	145	158	168	141	150	164	174			
1052	1350	MBh	33.8	34.5	36.1	38.5	33.0	33.7	35.3	37.6	32.2	32.9	34.4	36.7	31.5	32.1	33.6	35.8	29.9	30.5	31.9	34.0	27.7	28.2	29.6	31.5	
		S/T	0.89	0.86	0.78	0.63	0.93	0.89	0.81	0.65	0.95	0.92	0.83	0.67	0.98	0.95	0.85	0.69	1.00	0.98	0.89	0.72	1.00	0.99	0.89	0.72	
		Delta T	26	26	25	21	27	26	25	21	27	26	25	22	27	26	25	22	26	26	25	21	24	24	23	20	
		KW	2.35	2.40	2.48	2.56	2.53	2.59	2.67	2.76	2.70	2.75	2.84	2.94	2.84	2.90	3.00	3.10	2.96	3.02	3.12	3.23	3.06	3.13	3.24	3.35	
		AMPS	10.2	10.4	10.7	11.0	10.9	11.1	11.4	11.8	11.7	11.9	12.3	12.7	12.4	12.7	13.0	13.5	13.1	13.4	13.8	14.3	13.8	14.1	14.5	15.0	
		HI PR	234	251	265	277	262	282	298	311	298	321	339	353	340	365	386	402	382	411	434	453	422	454	480	500	
		LO PR	109	116	127	135	115	123	134	143	120	128	139	148	126	134	146	156	132	140	153	163	137	145	159	169	

NOTE: Shaded area reflects AHRJ rating conditions

\* NOTE: Shaded area is AHRJ Rating Conditions  
High and low pressures are measured at the liquid and suction access fittings.

IDB: Entering Indoor Dry Bulb Temperature  
KW = Total system power  
AMPS: Unit amps (comp.+ evaporator + condenser fan motors)



IDB*	Airflow	Outdoor Ambient Temperature																																			
		65						75						85						95						105						115					
		59	63	67	71	59	63	67	71	59	63	67	71	59	63	67	71	59	63	67	71	59	63	67	71	59	63	67	71								
70	1432	MBh	39.8	41.3	45.2	-	38.9	40.3	44.1	-	38.0	39.3	43.1	-	37.0	38.4	42.0	-	35.2	36.5	39.9	-	32.6	33.8	37.0	-	32.6	33.8	37.0	-							
		ST	0.72	0.60	0.42	-	0.75	0.63	0.43	-	0.77	0.64	0.44	-	0.79	0.66	0.46	-	0.82	0.69	0.48	-	0.83	0.69	0.48	-	0.83	0.69	0.48	-							
		Delta T	18	16	12	-	19	16	12	-	19	16	12	-	19	16	12	-	19	16	12	-	17	15	11	-	17	15	11	-							
		KW	2.68	2.74	2.82	-	2.89	2.95	3.04	-	3.07	3.14	3.24	-	3.23	3.30	3.41	-	3.37	3.44	3.56	-	3.48	3.56	3.68	-	3.48	3.56	3.68	-							
		AMPS	11.4	11.7	12.0	-	12.3	12.6	13.0	-	13.3	13.6	14.0	-	14.2	14.5	15.0	-	15.1	15.4	15.9	-	15.9	16.3	16.8	-	15.9	16.3	16.8	-							
	HI PR	241	260	274	-	271	291	308	-	308	331	350	-	351	377	399	-	395	425	448	-	436	469	495	-	436	469	495	-								
	LO PR	109	116	127	-	115	122	134	-	120	127	139	-	126	134	146	-	132	140	153	-	136	145	158	-	136	145	158	-								
	MBh	38.6	40.1	43.9	-	37.7	39.1	42.9	-	36.8	38.2	41.8	-	35.9	37.3	40.8	-	34.1	35.4	38.8	-	31.6	32.8	35.9	-	31.6	32.8	35.9	-								
	ST	0.69	0.58	0.40	-	0.71	0.60	0.41	-	0.73	0.61	0.42	-	0.76	0.63	0.44	-	0.78	0.65	0.45	-	0.79	0.66	0.46	-	0.79	0.66	0.46	-								
	Delta T	19	17	13	-	19	17	13	-	19	17	13	-	20	17	13	-	19	17	13	-	18	16	12	-	18	16	12	-								
KW	2.66	2.72	2.80	-	2.86	2.92	3.02	-	3.04	3.11	3.21	-	3.20	3.27	3.38	-	3.34	3.41	3.53	-	3.45	3.53	3.65	-	3.45	3.53	3.65	-									
AMPS	11.3	11.6	11.9	-	12.2	12.5	12.9	-	13.2	13.5	13.9	-	14.1	14.4	14.8	-	14.9	15.3	15.8	-	15.8	16.1	16.7	-	15.8	16.1	16.7	-									
HI PR	239	257	272	-	268	289	305	-	305	328	346	-	347	374	395	-	391	420	444	-	432	465	491	-	432	465	491	-									
LO PR	108	115	125	-	114	121	132	-	118	126	138	-	124	132	145	-	130	139	151	-	135	144	157	-	135	144	157	-									
MBh	35.7	37.0	40.5	-	34.8	36.1	39.6	-	34.0	35.2	38.6	-	33.2	34.4	37.7	-	31.5	32.7	35.8	-	29.2	30.3	33.2	-	29.2	30.3	33.2	-									
ST	0.66	0.55	0.38	-	0.69	0.57	0.40	-	0.71	0.59	0.41	-	0.73	0.61	0.42	-	0.76	0.63	0.44	-	0.76	0.64	0.44	-	0.76	0.64	0.44	-									
Delta T	20	17	13	-	20	17	13	-	20	17	13	-	20	17	13	-	20	17	13	-	18	16	12	-	18	16	12	-									
KW	2.60	2.65	2.73	-	2.79	2.85	2.94	-	2.97	3.03	3.13	-	3.12	3.19	3.30	-	3.25	3.33	3.44	-	3.37	3.44	3.56	-	3.37	3.44	3.56	-									
AMPS	11.0	11.3	11.6	-	11.9	12.2	12.5	-	12.8	13.1	13.6	-	13.7	14.0	14.4	-	14.5	14.9	15.3	-	15.3	15.7	16.2	-	15.3	15.7	16.2	-									
HI PR	232	249	263	-	260	280	296	-	296	318	336	-	337	363	383	-	379	408	431	-	419	451	476	-	419	451	476	-									
LO PR	105	111	122	-	111	118	128	-	115	122	133	-	121	128	140	-	127	135	147	-	131	139	152	-	131	139	152	-									
75	1432	MBh	40.5	41.7	45.1	48.4	39.5	40.7	44.1	47.3	38.6	39.7	43.0	46.2	37.7	<b>38.8</b>	42.0	45.0	35.8	36.8	39.9	42.8	33.1	34.1	36.9	39.6											
		ST	0.82	0.73	0.56	0.36	0.85	0.76	0.58	0.37	0.87	0.78	0.59	0.38	0.90	<b>0.81</b>	0.61	0.39	0.93	0.84	0.63	0.41	0.94	0.84	0.64	0.41											
		Delta T	21	20	16	11	22	20	16	11	22	20	16	11	22	<b>20</b>	16	11	21	20	16	11	20	18	15	10											
		KW	2.70	2.76	2.85	2.94	2.91	2.97	3.07	3.17	3.09	3.16	3.27	3.37	3.26	<b>3.33</b>	3.44	3.55	3.39	3.47	3.59	3.71	3.51	3.59	3.71	3.84											
		AMPS	11.5	11.8	12.2	12.6	12.4	12.7	13.1	13.6	13.4	13.7	14.2	14.7	14.3	<b>14.6</b>	15.1	15.7	15.2	15.5	16.0	16.6	16.1	16.4	17.0	17.6											
	HI PR	244	262	277	289	274	294	311	324	311	335	354	369	354	<b>381</b>	403	420	399	429	453	472	440	474	501	522												
	LO PR	110	117	128	136	116	124	135	144	121	129	140	150	127	<b>135</b>	147	157	133	142	155	165	138	146	160	170												
	MBh	39.3	40.5	43.8	47.0	38.4	39.5	42.8	45.9	37.5	38.6	41.8	44.8	36.6	<b>37.6</b>	40.7	43.7	34.7	35.8	38.7	41.5	32.2	33.1	35.9	38.5												
	ST	0.78	0.70	0.53	0.34	0.81	0.73	0.55	0.35	0.83	0.74	0.56	0.36	0.86	<b>0.77</b>	0.58	0.37	0.89	0.80	0.60	0.39	0.90	0.80	0.61	0.39												
	Delta T	22	20	17	12	22	21	17	12	22	21	17	12	23	<b>21</b>	17	12	22	21	17	12	21	19	16	11												
KW	2.68	2.74	2.82	2.91	2.89	2.95	3.04	3.14	3.07	3.14	3.24	3.35	3.23	<b>3.30</b>	3.41	3.52	3.37	3.44	3.56	3.68	3.48	3.56	3.68	3.81													
AMPS	11.4	11.7	12.0	12.5	12.3	12.6	13.0	13.4	13.3	13.6	14.0	14.6	14.2	<b>14.5</b>	15.0	15.5	15.1	15.4	15.9	16.5	15.9	16.3	16.8	17.4													
HI PR	241	260	274	286	271	291	308	321	308	331	350	365	351	<b>378</b>	399	416	395	425	449	468	436	469	496	517													
LO PR	109	116	127	135	115	123	134	142	120	127	139	148	126	<b>134</b>	146	156	132	140	153	163	136	145	158	169													
MBh	36.3	37.3	40.4	43.4	35.4	36.5	39.5	42.4	34.6	35.6	38.5	41.4	33.7	<b>34.7</b>	37.6	40.4	32.1	33.0	35.7	38.3	29.7	30.6	33.1	35.5													
ST	0.75	0.68	0.51	0.33	0.78	0.70	0.53	0.34	0.80	0.72	0.54	0.35	0.83	<b>0.74</b>	0.56	0.36	0.86	0.77	0.58	0.37	0.87	0.78	0.59	0.38													
Delta T	23	21	17	12	23	21	17	12	23	21	17	12	23	<b>21</b>	17	12	23	21	17	12	21	20	16	11													
KW	2.62	2.67	2.76	2.84	2.82	2.88	2.97	3.07	2.99	3.06	3.16	3.26	3.15	<b>3.22</b>	3.32	3.44	3.28	3.35	3.47	3.58	3.40	3.47	3.59	3.71													
AMPS	11.1	11.4	11.7	12.1	12.0	12.3	12.6	13.1	13.0	13.3	13.7	14.2	13.8	<b>14.1</b>	14.6	15.1	14.7	15.0	15.5	16.0	15.5	15.9	16.4	17.0													
HI PR	234	252	266	277	263	283	299	311	299	322	340	354	340	<b>366</b>	387	403	383	412	435	454	423	455	481	501													
LO PR	106	112	123	131	112	119	130	138	116	124	135	144	122	<b>130</b>	142	151	128	136	148	158	132	141	154	164													

\* IDB: Entering Indoor Dry Bulb Temperature

NOTE: Shaded area is ACCA (TVA) conditions

High and low pressures are measured at the liquid and suction access fittings.

# COOLING PERFORMANCE DATA

**5MM COILS**

**GPC1442H41AB**

## EXPANDED PERFORMANCE DATA

## COOLING OPERATION

MODEL: GPC1442H41A\*

IDB*	Airflow	Outdoor Ambient Temperature																																																																																																																																																																														
		65								75								85								95								105								115																																																																																																																																						
		59	63	67	71	59	63	67	71	59	63	67	71	59	63	67	71	59	63	67	71	59	63	67	71	59	63	67	71	59	63	67	71	59	63	67	71																																																																																																																																											
1432	MBh	41.2	42.1	45.0	48.1	40.2	41.1	43.9	47.0	39.3	40.1	42.9	45.8	38.3	39.2	41.8	44.7	36.4	37.2	39.7	42.5	33.7	34.5	36.8	39.4	S/T	0.90	0.84	0.69	0.51	0.93	0.88	0.71	0.53	0.96	0.90	0.73	0.55	1.00	0.93	0.75	0.56	1.00	0.96	0.78	0.58	1.00	0.97	0.79	0.59	Delta T	24	23	20	16	24	23	20	16	24	23	20	16	25	23	20	16	22	23	23	20	16	22	21	19	15	KW	2.72	2.78	2.87	2.96	2.93	3.00	3.09	3.20	3.12	3.19	3.29	3.40	3.28	3.36	3.47	3.58	3.42	3.50	3.62	3.74	3.54	3.62	3.75	3.87	AMPS	11.6	11.9	12.3	12.7	12.5	12.8	13.2	13.7	13.5	13.9	14.3	14.8	14.4	14.8	15.2	15.8	15.3	15.7	16.2	16.8	16.2	16.6	17.1	17.8	Hi PR	246	265	280	292	276	297	314	327	314	338	357	372	358	385	407	424	403	433	458	477	445	479	506	527	LO PR	111	118	129	138	117	125	136	145	122	130	142	151	128	136	149	159	134	143	156	166	139	148	161	172
80	MBh	40.0	40.9	43.7	46.7	39.1	39.9	42.6	45.6	38.1	39.0	41.6	44.5	37.2	38.0	<b>40.6</b>	<b>43.4</b>	35.3	36.1	38.6	41.2	32.7	33.5	35.7	38.2	S/T	0.86	0.81	0.66	0.49	0.89	0.83	0.68	0.51	0.91	0.86	0.70	0.52	0.94	0.88	<b>0.72</b>	<b>0.54</b>	0.98	0.92	0.75	0.56	0.99	0.92	0.75	0.56	Delta T	25	24	21	17	25	24	21	17	25	24	21	17	25	24	<b>21</b>	<b>17</b>	25	24	21	17	23	22	19	16	KW	2.70	2.76	2.85	2.94	2.91	2.97	3.07	3.17	3.09	3.16	3.27	3.37	3.26	3.33	<b>3.44</b>	<b>3.55</b>	3.40	3.47	3.59	3.71	3.51	3.59	3.71	3.84	AMPS	11.5	11.8	12.2	12.6	12.4	12.7	13.1	13.6	13.4	13.7	14.2	14.7	14.3	14.6	<b>15.1</b>	<b>15.7</b>	15.2	15.5	16.0	16.6	16.1	16.4	17.0	17.6	Hi PR	244	262	277	289	274	294	311	324	311	335	354	369	354	381	<b>403</b>	<b>420</b>	399	429	453	473	440	474	501	522	LO PR	110	117	128	136	116	124	135	144	121	129	140	150	127	135	<b>148</b>	<b>157</b>	133	142	155	165	138	146	160	170	
1116	MBh	36.9	37.7	40.3	43.1	36.1	36.8	39.4	42.1	35.2	36.0	38.4	41.1	34.3	35.1	37.5	40.1	32.6	33.3	35.6	38.1	30.2	30.9	33.0	35.3	S/T	0.83	0.78	0.63	0.47	0.86	0.80	0.66	0.49	0.88	0.83	0.67	0.50	0.91	0.85	0.69	0.52	0.94	0.88	0.72	0.54	0.95	0.89	0.73	0.54	Delta T	25	24	21	17	25	24	21	17	26	24	21	17	26	25	21	17	25	24	21	17	24	23	20	16	KW	2.64	2.69	2.78	2.87	2.84	2.90	2.99	3.09	3.02	3.08	3.18	3.29	3.18	3.25	3.35	3.46	3.31	3.38	3.50	3.61	3.43	3.50	3.62	3.74	AMPS	11.2	11.5	11.8	12.3	12.1	12.4	12.7	13.2	13.1	13.4	13.8	14.3	13.9	14.3	14.7	15.2	14.8	15.1	15.6	16.2	15.6	16.0	16.5	17.1	Hi PR	236	255	269	280	265	286	302	315	302	325	343	358	344	370	391	407	387	416	439	458	427	460	486	506	LO PR	107	114	124	132	113	120	131	140	117	125	136	145	123	131	143	152	129	137	150	160	134	142	155	165	
1432	MBh	41.9	42.7	44.7	47.7	40.9	41.7	43.7	46.6	40.0	40.7	42.7	45.5	39.0	39.7	41.6	44.4	37.0	37.8	39.5	42.2	34.3	35.0	36.6	39.1	S/T	0.94	0.91	0.82	0.67	0.98	0.94	0.85	0.69	1.00	0.97	0.87	0.71	1.00	1.00	0.90	0.73	1.00	1.00	0.94	0.76	1.00	1.00	0.94	0.77	Delta T	25	25	24	20	26	25	24	21	26	25	24	21	25	25	24	21	24	24	24	21	22	22	22	19	KW	2.75	2.80	2.89	2.99	2.96	3.02	3.12	3.22	3.15	3.21	3.32	3.43	3.31	3.39	3.50	3.62	3.45	3.53	3.65	3.77	3.57	3.65	3.78	3.91	AMPS	11.7	12.0	12.4	12.8	12.6	12.9	13.3	13.8	13.7	14.0	14.4	14.9	14.6	14.9	15.4	15.9	15.5	15.8	16.3	16.9	16.3	16.7	17.3	17.9	Hi PR	249	268	283	295	279	300	317	331	317	342	361	376	361	389	411	428	407	438	462	482	449	484	511	533	LO PR	112	119	130	139	119	126	138	147	123	131	143	153	130	138	150	160	136	144	158	168	140	149	163	174	
85	MBh	40.7	41.5	43.4	46.3	39.7	40.5	42.4	45.3	38.8	39.6	41.4	44.2	37.9	38.6	40.4	43.1	36.0	36.7	38.4	41.0	33.3	34.0	35.6	37.9	S/T	0.90	0.87	0.78	0.64	0.93	0.90	0.81	0.66	0.96	0.92	0.83	0.68	0.99	0.95	0.86	0.70	1.00	0.99	0.89	0.72	1.00	1.00	0.90	0.73	Delta T	26	26	25	21	27	26	25	22	27	26	25	22	27	27	25	22	26	26	26	25	21	24	24	23	20	KW	2.72	2.78	2.87	2.96	2.93	3.00	3.09	3.20	3.12	3.19	3.29	3.40	3.28	3.36	3.47	3.58	3.42	3.50	3.62	3.74	3.54	3.62	3.75	3.87	AMPS	11.6	11.9	12.3	12.7	12.5	12.8	13.2	13.7	13.5	13.9	14.3	14.8	14.4	14.8	15.2	15.8	15.3	15.7	16.2	16.8	16.2	16.6	17.1	17.8	Hi PR	246	265	280	292	276	297	314	327	314	338	357	372	358	385	407	424	403	433	458	477	445	479	506	527	LO PR	111	118	129	138	117	125	136	145	122	130	142	151	128	136	149	159	134	143	156	166	139	148	161	172
1116	MBh	37.6	38.3	40.1	42.8	36.7	37.4	39.2	41.8	35.8	36.5	38.2	40.8	34.9	35.6	37.3	39.8	33.2	33.8	35.4	37.8	30.7	31.3	32.8	35.0	S/T	0.87	0.84	0.76	0.61	0.90	0.87	0.78	0.64	0.92	0.89	0.80	0.65	0.95	0.92	0.83	0.67	0.99	0.95	0.86	0.70	1.00	0.96	0.87	0.70	Delta T	27	26	25	22	27	27	25	22	27	27	25	22	27	27	25	22	27	27	27	25	22	25	25	23	20	KW	2.66	2.71	2.80	2.89	2.86	2.92	3.02	3.12	3.04	3.11	3.21	3.32	3.20	3.27	3.38	3.49	3.34	3.41	3.52	3.64	3.45	3.53	3.65	3.77	AMPS	11.3	11.6	11.9	12.4	12.2	12.5	12.9	13.3	13.2	13.5	13.9	14.4	14.1	14.4	14.8	15.4	14.9	15.3	15.8	16.3	15.8	16.1	16.7	17.3	Hi PR	239	257	271	283	268	288	305	318	305	328	346	361	347	374	395	411	391	420	444	463	432	464	490	511	LO PR	108	115	125	133	114	121	132	141	118	126	138	147	124	132	145	154	130	139	151	161	135	143	157	167

\* NOTE: Shaded area is AHRI Rating Conditions  
 High and low pressures are measured at the liquid and suction access fittings.

IDB: Entering Indoor Dry Bulb Temperature  
 IWB: Entering Indoor Wet Bulb Temperature  
 K/W = Total system power  
 AMPS: Unit amps (comp. + evaporator + condenser fan motors)

NOTE: Shaded area reflects AHRI rating conditions

### EXPANDED PERFORMANCE DATA

### EXPANDED PERFORMANCE DATA

### MODEL: GPC1448H41AB

IDB*	Airflow	Outdoor Ambient Temperature																													
		65					75					85					95					105					115				
		59	63	67	71	75	59	63	67	71	75	59	63	67	71	75	59	63	67	71	75	59	63	67	71	75	59	63	67	71	75
70	MBh	46.1	47.8	52.4	-	-	45.1	46.7	51.2	-	-	44.0	45.6	49.9	-	-	42.9	44.5	48.7	-	-	40.8	42.2	46.3	-	-	37.8	39.1	42.9	-	-
	ST	0.75	0.63	0.43	-	-	0.78	0.65	0.45	-	-	0.80	0.67	0.46	-	-	0.82	0.69	0.48	-	-	0.85	0.71	0.49	-	-	0.86	0.72	0.50	-	-
	Delta T	18	15	12	-	-	18	16	12	-	-	18	16	12	-	-	18	16	12	-	-	18	16	12	-	-	17	15	11	-	-
	KW	2.39	2.46	2.55	-	-	2.63	2.70	2.80	-	-	2.83	2.91	3.02	-	-	3.01	3.09	3.22	-	-	3.17	3.25	3.38	-	-	3.30	3.39	3.52	-	-
	AMPS	13.2	13.4	13.8	-	-	14.1	14.4	14.8	-	-	15.2	15.5	16.0	-	-	16.1	16.5	17.0	-	-	17.1	17.4	18.0	-	-	18.0	18.4	19.0	-	-
1386	HI PR	232	250	264	-	-	261	281	296	-	-	297	319	337	-	-	338	364	384	-	-	380	409	432	-	-	420	452	477	-	-
	LO PR	111	118	129	-	-	117	125	136	-	-	122	129	141	-	-	128	136	148	-	-	134	143	156	-	-	139	147	161	-	-
	MBh	44.8	46.4	50.9	-	-	43.7	45.3	49.7	-	-	42.7	44.3	48.5	-	-	41.7	43.2	47.3	-	-	39.6	41.0	44.9	-	-	36.7	38.0	41.6	-	-
	ST	0.72	0.60	0.41	-	-	0.74	0.62	0.43	-	-	0.76	0.64	0.44	-	-	0.79	0.66	0.45	-	-	0.81	0.68	0.47	-	-	0.82	0.69	0.48	-	-
	Delta T	19	16	12	-	-	19	16	12	-	-	19	16	12	-	-	19	16	12	-	-	19	16	12	-	-	18	15	12	-	-

IDB*	Airflow	Outdoor Ambient Temperature																													
		65					75					85					95					105					115				
		59	63	67	71	75	59	63	67	71	75	59	63	67	71	75	59	63	67	71	75	59	63	67	71	75	59	63	67	71	75
75	MBh	46.9	48.3	52.3	56.1	-	45.8	47.2	51.1	54.8	-	44.7	46.0	49.8	53.5	-	43.6	44.9	48.6	52.2	-	41.5	42.7	46.2	49.6	-	38.4	39.5	42.8	45.9	-
	ST	0.85	0.76	0.58	0.37	-	0.88	0.79	0.60	0.39	-	0.91	0.81	0.61	0.39	-	0.94	0.84	0.63	0.41	-	0.97	0.87	0.66	0.42	-	0.98	0.88	0.66	0.43	-
	Delta T	21	19	16	11	-	21	19	16	11	-	21	19	16	11	-	21	19	16	11	-	21	19	16	11	-	19	18	15	10	-
	KW	2.42	2.48	2.58	2.68	-	2.65	2.72	2.83	2.95	-	2.86	2.94	3.05	3.18	-	3.04	3.13	3.25	3.38	-	3.20	3.29	3.42	3.55	-	3.34	3.43	3.56	3.70	-
	AMPS	13.3	13.5	13.9	14.4	-	14.2	14.5	14.9	15.5	-	15.3	15.6	16.1	16.7	-	16.3	16.6	17.1	17.7	-	17.2	17.6	18.1	18.8	-	18.1	18.6	19.1	19.8	-
1386	HI PR	235	253	267	278	-	263	284	299	312	-	300	322	341	355	-	341	367	388	405	-	384	413	436	455	-	424	457	482	503	-
	LO PR	112	119	130	138	-	118	126	137	146	-	123	131	143	152	-	129	137	150	160	-	135	144	157	167	-	140	149	163	173	-
	MBh	45.5	46.9	50.8	54.5	-	44.5	45.8	49.6	53.2	-	43.4	44.7	48.4	51.9	-	42.4	43.6	47.2	50.7	-	40.2	41.4	44.9	48.1	-	37.3	38.4	41.5	44.6	-
	ST	0.81	0.73	0.55	0.35	-	0.84	0.75	0.57	0.37	-	0.86	0.77	0.59	0.38	-	0.89	0.80	0.60	0.39	-	0.93	0.83	0.63	0.40	-	0.93	0.84	0.63	0.41	-
	Delta T	22	20	16	11	-	22	20	16	11	-	22	20	16	11	-	22	20	17	11	-	22	20	16	11	-	20	19	15	11	-

\* IDB: Entering Indoor Dry Bulb Temperature

High and low pressures are measured at the liquid and suction access fittings.

NOTE: Shaded area is ACCA (TVA) conditions





# COOLING PERFORMANCE DATA

## PERFORMANCE TEST

All data based upon listed indoor dry bulb temperature. .00 inches external static pressure on coil of outdoor section. Indoor air cubic feet per minute (CFM) as listed in the Performance Data Sheets:

If conditions vary from this, results will change as follows:

1. As indoor dry bulb temperatures increase, a slight increase will occur in indoor air temperature drop (Delta T). Low and high side pressures and power will not change.
2. As indoor CFM decreases, a slight increase will occur in indoor temperature drop (Delta T). A slight decrease will occur in low and high side pressures and power.

A properly operating unit should be within plus or minus **3 degrees** of the typical (**Delta T**) value shown.

A properly operating unit should be within plus or minus **7 PSIG** of the **HI PR** shown.

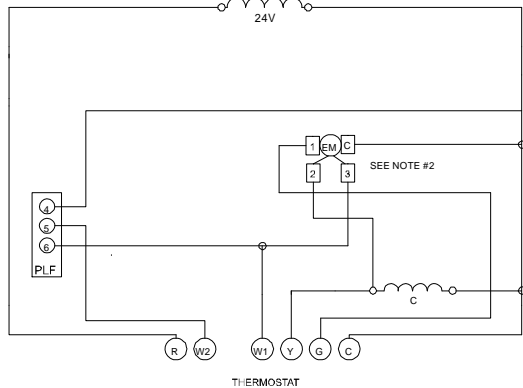
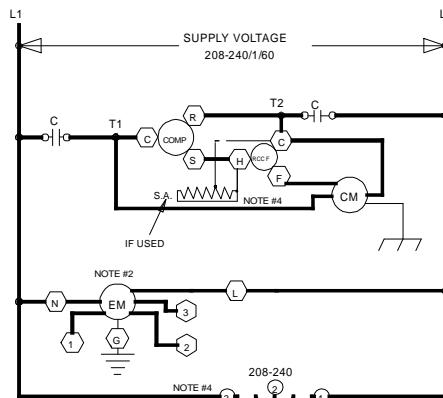
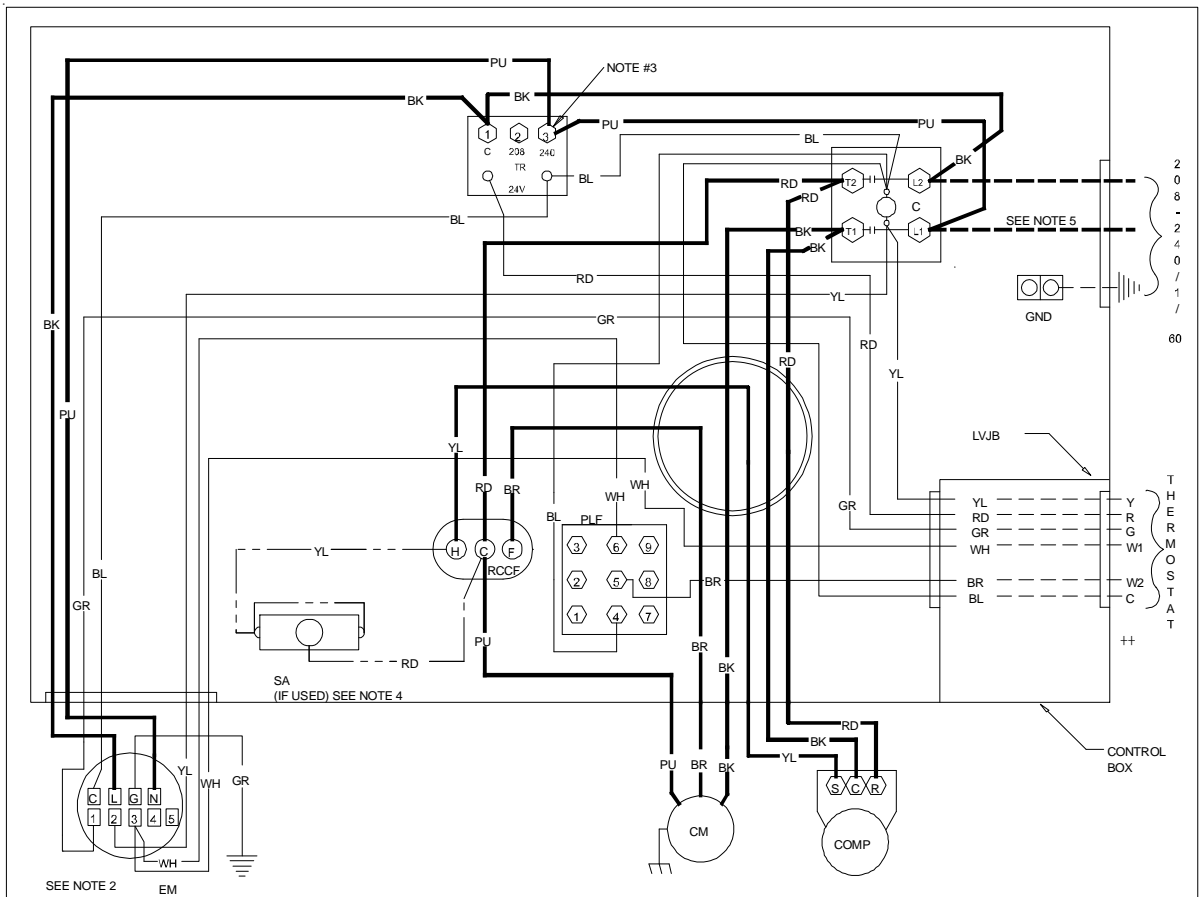
A properly operating unit should be within plus or minus **3 PSIG** of the **LO PR** shown.

A properly operating unit should be within plus or minus **3 Amps** of the typical value shown.



**HIGH VOLTAGE!**  
 DISCONNECT ALL POWER BEFORE SERVICING OR INSTALLING THIS UNIT. MULTIPLE POWER SOURCES MAY BE PRESENT. FAILURE TO DO SO MAY CAUSE PROPERTY DAMAGE, PERSONAL INJURY OR DEATH.

**WARNING**



**COMPONENT LEGEND**

- C CONTACTOR
- CM CONDENSER MOTOR
- COMP COMPRESSOR
- EM EVAPORATOR MOTOR
- GND EQUIPMENT GROUND
- LVJB LOW VOLTAGE JUNCTION BOX
- PLF FEMALE PLUG / CONNECTOR
- RCCF RUN CAPACITOR FOR COMPRESSOR AND FAN
- SA START ASSIST
- TR TRANSFORMER

- FACTORY WIRING
- LINE VOLTAGE
- LOW VOLTAGE
- OPTIONAL HIGH VOLTAGE

- FIELD WIRING
- HIGH VOLTAGE
- LOW VOLTAGE

**WIRE CODE**

- BK BLACK
- BL BLUE
- BR BROWN
- GR GREEN
- OR ORANGE
- PU PURPLE
- RD RED
- WH WHITE
- YL YELLOW

**NOTES:**

1. REPLACEMENT WIRE MUST BE SAME SIZE AND TYPE INSULATION AS ORIGINAL (AT LEAST 105°C) USE COPPER CONDUCTOR ONLY.
  2. TO CHANGE EVAPORATOR MOTOR SPEED MOVE WHITE AND YELLOW LEADS FROM EM "2" AND "3" TO "4" AND "5". IF BOTH LEADS ARE ENERGIZED, THE HIGHER SPEED SETTING IS USED.
  3. FOR 208 VOLT TRANSFORMER OPERATION MOVE PURPLE WIRES FROM TERMINAL 3 TO TERMINAL 2 ON TRANSFORMER.
  4. START ASSIST FACTORY EQUIPPED WHEN REQUIRED
  5. USE COPPER CONDUCTORS ONLY.
- ++ USE N.E.C. CLASS 2 WIRE

SEE UNIT RATING PLATE FOR TYPE AND SIZE OF OVER CURRENT PROTECTION

Wiring is subject to change. Always refer to the wiring diagram on the unit for the most up-to-date wiring.

## Free Manuals Download Website

<http://myh66.com>

<http://usermanuals.us>

<http://www.somanuals.com>

<http://www.4manuals.cc>

<http://www.manual-lib.com>

<http://www.404manual.com>

<http://www.luxmanual.com>

<http://aubethermostatmanual.com>

Golf course search by state

<http://golfingnear.com>

Email search by domain

<http://emailbydomain.com>

Auto manuals search

<http://auto.somanuals.com>

TV manuals search

<http://tv.somanuals.com>