



Air Conditioning & Heating

GSX13

SPLIT SYSTEM AIR CONDITIONER

13 SEER / 1½ TO 5 TONS

COOLING CAPACITY: 18,000 - 60,000 BTU/H

Contents

Nomenclature	2
Product Specifications	3
Expanded Cooling Data	4
AHRI Ratings.....	22
Dimensions	39
Wiring Diagrams	40
Accessories	44



Standard Features

- R-410A chlorine-free refrigerant
- Energy-efficient compressor
- Factory-installed filter drier
- Copper tube/aluminum fin coil
- Service valves with sweat connections and easy-access gauge ports
- Contactor with lug connection
- Ground lug connection
- AHRI Certified
- ETL Listed

Cabinet Features

- Goodman® brand louvered sound control top design
- Steel louver coil guard
- Heavy-gauge galvanized-steel cabinet
- Attractive Architectural Gray powder-paint finish with 500-hour salt-spray approval
- Top and side maintenance access
- Single-panel access to controls with space provided for field-installed accessories
- When properly anchored, meets the 2010 Florida Building Code unit integrity requirements for hurricane-type winds (Anchor bracket kits available.)



* Complete warranty details available from your local dealer or at www.goodmanmfg.com. To receive the 10-Year Parts Limited Warranty, online registration must be completed within 60 days of installation. Online registration not required in California or Québec.

NOMENCLATURE

	G	S	X	13	036	1	*	*	
	1	2	3	4,5	6,7,8	9	10	11	
Brand	G Goodman® Brand or Amana® Distinctions® Brand						Engineering * Minor Revision		
Product Category	S Split System					Engineering * Major Revision			Electrical
Unit Type	C Condenser R-22 X Condenser R-410A H Heat Pump R-22 Z Heat Pump R-410A						1 208-230 V, 1 Phase, 60 Hz 2 220/240 V, 1 Phase, 50 Hz 3 208-230 V, 3 Phase, 60 Hz 4 460 V, 3 Phase, 60 Hz 5 380-415 V, 3 Phase, 50 Hz		
Efficiency	13 13 SEER 14 14 SEER						Nominal Capacity 018 1½ Tons 048 4 Tons 024 2 Tons 060 5 Tons 030 2½ Tons 090 7½ tons 036 3 Tons 120 10 Tons 042 3½ Tons		
* Neither used for order entry or inventory management.									



SPECIFICATIONS

	GSX13 0181E*	GSX13 0241D*	GSX13 0301B*	GSX13 0361C*	GSX13 0361E*	GSX13 0421B*	GSX13 0481B*	GSX13 0601B*	GSX13 0611A*
CAPACITIES									
Nominal Cooling (BTU/h)	18,000	24,000	30,000	36,000	36,000	42,000	48,000	60,000	60,000
SEER / EER	13 / 11	13 / 11	13 / 11	13 / 11	13 / 11	13 / 11	13 / 11	13 / 11	13/11
Decibels	75	75	73	74	74	75	76	77	72
COMPRESSOR									
RLA	6.7	13.5	12.8	14.1	14.1	17.9	19.9	25.0	26.4
LRA	41	58.3	64	77	77	112	109	134	134
CONDENSER FAN MOTOR									
Horsepower	1/8	1/8	1/8	1/6	1/4	1/4	1/4	1/4	1/4
FLA	0.7	0.7	0.7	1.1	1.5	1.5	1.5	1.5	1.5
REFRIGERATION SYSTEM									
Refrigerant Line Size ¹									
Liquid Line Size ("O.D.)	3/8"	3/8"	3/8"	3/8"	3/8"	3/8"	3/8"	3/8"	3/8"
Suction Line Size ("O.D.)	3/4"	3/4"	3/4"	7/8"	7/8"	1 1/8"	1 1/8"	1 1/8"	7/8"
Refrigerant Connection Size									
Liquid Valve Size ("O.D.)	3/8"	3/8"	3/8"	3/8"	3/8"	3/8"	3/8"	3/8"	3/8"
Suction Valve Size ("O.D.) ^{4 5}	3/4"	3/4"	3/4"	3/4" ⁴	3/4" ⁴	7/8" ⁵	7/8" ⁵	7/8" ⁵	3/4"
Valve Type	Sweat	Sweat	Sweat	Sweat	Sweat	Sweat	Sweat	Sweat	Sweat
Refrigerant Charge	73	76	78	89	75	90	104	111	130
Shipped with Orifice Size	0.051	0.057	0.061	0.070	0.070	0.076	0.080	0.086	0.086
ELECTRICAL DATA									
Voltage	208/230	208/230	208/230	208/230	208/230	208/230	208/230	208/230	208/230
Minimum Circuit Ampacity ²	9.1	17.6	16.7	18.7	19.1	23.9	26.4	32.8	34.5
Max. Overcurrent Protection ³	15 amps	30 amps	25 amps	30 amps	30 amps	40 amps	45 amps	50 amps	60 amps
Min / Max Volts	197/253	197/253	197/253	197/253	197/253	197/253	197/253	197/253	197/253
Electrical Conduit Size	1/2" or 3/4"	1/2" or 3/4"	1/2" or 3/4"	1/2" or 3/4"	1/2" or 3/4"	1/2" or 3/4"	1/2" or 3/4"	1/2" or 3/4"	1/2" or 3/4"
EQUIPMENT WEIGHT (LBS)	106	113	142	139	139	188	191	207	284
SHIP WEIGHT (LBS)	120	130	159	157	157	206	209	225	301

¹ Line sizes denoted for 25' line sets, tested and rated in accordance with AHRI Standard 210/240. For other line-set lengths or sizes, refer to the installation & Operating instructions and/or the long line-set guidelines.

² Wire size should be determined in accordance with National Electrical Codes; extensive wire runs will require larger wire sizes

³ Must use time-delay fuses or HACR-type circuit breakers of the same size as noted.

⁴ Installer will need to supply 3/4" to 7/8" adapters for suction line connections.

⁵ Installer will need to supply 7/8" to 1 1/8" adapters for suction line connections.

NOTES

- Always check the S&R plate for electrical data on the unit being installed.
- Unit is charged with refrigerant for 15' of 3/8" liquid line. System charge must be adjusted per Installation Instructions Final Charge Procedure.

EXPANDED COOLING DATA — GSX130181E* / CAPF1824B6DB

IDB	AIRFLOW	OUTDOOR AMBIENT TEMPERATURE												ENTERING INDOOR WET BULB TEMPERATURE															
		65°F				75°F				85°F				95°F				105°F				115°F							
		59	63	67	71	59	63	67	71	59	63	67	71	59	63	67	71	59	63	67	71	59	63	67	71				
70	MBh	15.6	16.2	17.7	-	15.3	15.8	17.3	-	14.9	15.4	16.9	-	14.5	15.1	16.5	-	13.8	14.3	15.7	-	13.8	14.3	15.7	-	12.8	13.3	14.5	-
	S/T	0.70	0.59	0.41	-	0.73	0.61	0.42	-	0.75	0.62	0.43	-	0.77	0.64	0.45	-	0.80	0.67	0.46	-	0.80	0.67	0.46	-	0.81	0.67	0.47	-
	Δ T	19.3	16.7	12.7	-	19.5	16.9	12.8	-	19.5	16.9	12.8	-	19.6	17.0	12.9	-	19.4	16.8	12.7	-	19.4	16.8	12.7	-	18.1	15.7	11.9	-
	kW	1.02	1.04	1.08	-	1.11	1.13	1.17	-	1.18	1.21	1.25	-	1.25	1.28	1.32	-	1.30	1.33	1.38	-	1.30	1.33	1.38	-	1.35	1.38	1.43	-
	Amps	4.3	4.4	4.5	-	4.6	4.7	4.9	-	5.0	5.1	5.3	-	5.4	5.5	5.7	-	5.7	5.8	6.0	-	5.7	5.8	6.0	-	6.0	6.2	6.4	-
	Hi PR	203	219	231	-	228	245	259	-	259	279	294	-	295	318	335	-	332	357	377	-	332	357	377	-	367	395	417	-
	Lo PR	102	109	119	-	108	115	126	-	113	120	131	-	118	126	137	-	124	132	144	-	124	132	144	-	128	136	149	-
	MBh	16.4	17.0	18.7	-	16.0	16.6	18.2	-	15.7	16.2	17.8	-	15.3	15.8	17.4	-	14.5	15.0	16.5	-	14.5	15.0	16.5	-	13.4	13.9	15.3	-
	S/T	0.71	0.60	0.41	-	0.74	0.62	0.43	-	0.76	0.63	0.44	-	0.78	0.65	0.45	-	0.81	0.68	0.47	-	0.81	0.68	0.47	-	0.82	0.69	0.47	-
	Δ T	18.0	15.6	11.8	-	18.2	15.8	12.0	-	18.2	15.8	12.0	-	18.4	15.9	12.1	-	18.1	15.7	11.9	-	18.1	15.7	11.9	-	16.9	14.6	11.1	-
kW	1.03	1.06	1.09	-	1.12	1.14	1.18	-	1.19	1.22	1.27	-	1.26	1.29	1.34	-	1.32	1.35	1.40	-	1.32	1.35	1.40	-	1.37	1.40	1.45	-	
Amps	4.3	4.4	4.6	-	4.7	4.8	4.9	-	5.1	5.2	5.4	-	5.4	5.6	5.7	-	5.8	5.9	6.1	-	5.8	5.9	6.1	-	6.1	6.3	6.5	-	
Hi PR	206	221	234	-	231	248	262	-	263	283	298	-	299	322	340	-	336	362	382	-	336	362	382	-	372	400	422	-	
Lo PR	104	110	121	-	110	117	127	-	114	121	132	-	120	127	139	-	126	134	146	-	126	134	146	-	130	138	151	-	
MBh	16.9	17.6	19.2	-	16.5	17.1	18.8	-	16.1	16.7	18.3	-	15.8	16.3	17.9	-	15.0	15.5	17.0	-	15.0	15.5	17.0	-	13.9	14.4	15.7	-	
S/T	0.73	0.61	0.42	-	0.76	0.63	0.44	-	0.78	0.65	0.45	-	0.80	0.67	0.46	-	0.83	0.69	0.48	-	0.83	0.69	0.48	-	0.84	0.70	0.48	-	
Δ T	17.5	15.1	11.5	-	17.7	15.3	11.6	-	17.7	15.3	11.6	-	17.8	15.4	11.7	-	17.6	15.2	11.6	-	17.6	15.2	11.6	-	16.4	14.2	10.8	-	
kW	1.05	1.07	1.11	-	1.14	1.16	1.20	-	1.21	1.24	1.29	-	1.28	1.31	1.36	-	1.34	1.37	1.42	-	1.34	1.37	1.42	-	1.39	1.42	1.47	-	
Amps	4.4	4.5	4.6	-	4.7	4.9	5.0	-	5.2	5.3	5.5	-	5.5	5.6	5.8	-	5.9	6.0	6.2	-	5.9	6.0	6.2	-	6.2	6.4	6.6	-	
Hi PR	209	225	238	-	235	253	267	-	267	287	304	-	304	327	346	-	342	368	389	-	342	368	389	-	378	407	430	-	
Lo PR	106	112	123	-	112	119	130	-	116	123	135	-	122	130	142	-	128	136	148	-	128	136	148	-	132	141	153	-	
75	MBh	15.9	16.4	17.7	19.0	15.5	16.0	17.3	18.6	15.2	15.6	16.9	18.1	14.8	15.2	16.5	17.7	14.0	14.5	15.7	16.8	14.0	14.5	15.7	16.8	13.0	13.4	14.5	15.6
	S/T	0.80	0.72	0.54	0.35	0.83	0.74	0.56	0.36	0.85	0.76	0.58	0.37	0.88	0.78	0.59	0.38	0.91	0.81	0.62	0.40	0.91	0.81	0.62	0.40	0.92	0.82	0.62	0.40
	Δ T	22.3	20.5	16.8	11.6	22.5	20.7	17.0	11.7	22.6	20.8	17.0	11.7	22.7	20.9	17.1	11.8	22.4	20.6	16.9	11.7	22.4	20.6	16.9	11.7	20.9	19.3	15.8	10.9
	kW	1.03	1.05	1.09	1.13	1.12	1.14	1.18	1.22	1.19	1.22	1.26	1.31	1.26	1.29	1.33	1.38	1.32	1.35	1.39	1.44	1.32	1.35	1.39	1.44	1.36	1.40	1.45	1.50
	Amps	4.3	4.4	4.6	4.7	4.7	4.8	4.9	5.1	5.1	5.2	5.4	5.6	5.4	5.5	5.7	5.9	5.8	5.9	6.1	6.3	5.8	5.9	6.1	6.3	6.1	6.3	6.5	6.7
	Hi PR	205	221	233	243	230	248	262	273	262	282	297	310	298	321	339	353	335	361	381	398	335	361	381	398	371	399	421	439
	Lo PR	104	110	120	128	109	116	127	135	114	121	132	141	119	127	139	148	125	133	145	155	125	133	145	155	129	138	150	160
	MBh	16.7	17.2	18.6	20.0	16.3	16.8	18.2	19.5	15.9	16.4	17.8	19.1	15.5	16.0	17.3	18.6	14.8	15.2	16.5	17.7	14.8	15.2	16.5	17.7	13.7	14.1	15.2	16.4
	S/T	0.81	0.73	0.55	0.35	0.84	0.75	0.57	0.37	0.86	0.77	0.58	0.38	0.89	0.80	0.60	0.39	0.92	0.83	0.63	0.40	0.92	0.83	0.63	0.40	0.93	0.83	0.63	0.41
	Δ T	20.8	19.1	15.7	10.8	21.0	19.4	15.9	11.0	21.1	19.4	15.9	11.0	21.2	19.5	16.0	11.1	20.9	19.3	15.8	10.9	20.9	19.3	15.8	10.9	19.5	18.0	14.7	10.2
kW	1.04	1.07	1.10	1.14	1.13	1.16	1.20	1.24	1.21	1.23	1.28	1.32	1.27	1.30	1.35	1.40	1.33	1.36	1.41	1.46	1.33	1.36	1.41	1.46	1.38	1.41	1.46	1.52	
Amps	4.4	4.5	4.6	4.8	4.7	4.8	5.0	5.2	5.1	5.2	5.4	5.6	5.5	5.6	5.8	6.0	5.8	6.0	6.2	6.4	5.8	6.0	6.2	6.4	6.2	6.3	6.5	6.8	
Hi PR	208	224	236	246	233	251	265	276	265	285	301	314	302	325	343	358	340	366	386	403	340	366	386	403	376	404	427	445	
Lo PR	105	112	122	130	111	118	129	137	115	123	134	142	121	129	141	150	127	135	147	157	127	135	147	157	131	140	152	162	
MBh	17.2	17.7	19.2	20.6	16.8	17.3	18.7	20.1	16.4	16.9	18.3	19.6	16.0	16.5	17.9	19.2	15.2	15.7	17.0	18.2	15.2	15.7	17.0	18.2	14.1	14.5	15.7	16.9	
S/T	0.83	0.74	0.56	0.36	0.86	0.77	0.58	0.37	0.88	0.79	0.60	0.38	0.91	0.81	0.62	0.40	0.94	0.84	0.64	0.41	0.94	0.84	0.64	0.41	0.95	0.85	0.64	0.41	
Δ T	20.2	18.6	15.2	10.5	20.4	18.8	15.4	10.7	20.5	18.8	15.4	10.7	20.6	19.0	15.5	10.7	20.3	18.7	15.3	10.6	20.3	18.7	15.3	10.6	19.0	17.5	14.3	9.9	
kW	1.06	1.08	1.12	1.16	1.15	1.17	1.21	1.26	1.22	1.25	1.30	1.34	1.29	1.32	1.37	1.42	1.35	1.38	1.43	1.48	1.35	1.38	1.43	1.48	1.40	1.44	1.49	1.54	
Amps	4.4	4.5	4.7	4.9	4.8	4.9	5.1	5.3	5.2	5.3	5.5	5.7	5.6	5.7	5.9	6.1	5.9	6.1	6.3	6.5	5.9	6.1	6.3	6.5	6.3	6.4	6.6	6.9	
Hi PR	211	228	240	251	237	255	270	281	270	290	307	320	307	331	349	364	346	372	393	410	346	372	393	410	382	411	434	453	
Lo PR	107	114	124	132	113	120	131	139	117	125	136	145	123	131	143	152	129	137	150	160	129	137	150	160	133	142	155	165	

IDB: Entering Indoor Dry Bulb Temperature
 High and low pressures are measured at the liquid and suction service valves.
 Shaded area reflects ACCA (TVA) conditions
 Amps = outdoor unit amps (comp.+fan)
 kW = Total system power

EXPANDED COOLING DATA — GSX130181E* / CAPF1824B6DB (CONT.)

IDB	AIRFLOW	OUTDOOR AMBIENT TEMPERATURE												ENTERING INDOOR WET BULB TEMPERATURE											
		65°F				75°F				85°F				95°F				105°F				115°F			
		59	63	67	71	59	63	67	71	59	63	67	71	59	63	67	71	59	63	67	71	59	63	67	71
525	MBh	16.2	16.5	17.7	18.9	15.8	16.1	17.3	18.4	15.4	15.8	16.8	18.0	15.0	15.4	16.4	17.6	14.3	14.6	15.6	16.7	13.2	13.5	14.5	15.5
	S/T	0.88	0.82	0.67	0.50	0.91	0.85	0.69	0.52	0.93	0.87	0.71	0.53	0.96	0.90	0.73	0.55	1.00	0.94	0.76	0.57	1.01	0.94	0.77	0.57
	Δ T	24.8	23.8	20.7	16.5	25.2	24.1	21.0	16.7	25.2	24.1	21.0	16.8	25.4	24.3	21.1	16.9	25.0	24.0	20.8	16.6	23.4	22.4	19.5	15.5
	kW	1.04	1.06	1.10	1.14	1.13	1.15	1.19	1.23	1.20	1.23	1.27	1.32	1.27	1.30	1.35	1.39	1.33	1.36	1.41	1.46	1.38	1.41	1.46	1.51
	Amps	4.3	4.4	4.6	4.8	4.7	4.8	5.0	5.2	5.1	5.2	5.4	5.6	5.5	5.6	5.8	6.0	5.8	6.0	6.2	6.4	6.2	6.3	6.5	6.8
80	Hi PR	207	223	235	246	232	250	264	276	264	285	300	313	301	324	342	357	339	365	385	402	374	403	425	444
	Lo PR	105	111	121	129	110	118	128	137	115	122	133	142	121	128	140	149	126	134	147	156	131	139	152	162
	MBh	17.0	17.4	18.6	19.8	16.6	17.0	18.1	19.4	16.2	16.6	17.7	18.9	15.8	16.2	17.3	18.5	15.0	15.4	16.4	17.5	13.9	14.2	15.2	16.2
	S/T	0.89	0.84	0.68	0.51	0.92	0.87	0.70	0.53	0.95	0.89	0.72	0.54	0.98	0.92	0.75	0.56	1.00	0.95	0.77	0.58	1.00	0.96	0.78	0.58
	Δ T	23.2	22.2	19.3	15.5	23.5	22.5	19.6	15.6	23.5	22.5	19.6	15.7	23.7	22.7	19.7	15.8	23.0	22.4	19.5	15.5	21.3	20.9	18.2	14.5
600	kW	1.05	1.08	1.11	1.15	1.14	1.17	1.21	1.25	1.22	1.25	1.29	1.33	1.28	1.32	1.36	1.41	1.34	1.38	1.42	1.48	1.39	1.43	1.48	1.53
	Amps	4.4	4.5	4.7	4.8	4.8	4.9	5.0	5.2	5.2	5.3	5.5	5.7	5.5	5.7	5.9	6.1	5.9	6.0	6.2	6.5	6.2	6.4	6.6	6.9
	Hi PR	210	226	239	249	236	254	268	279	268	288	304	318	305	328	347	362	343	369	390	407	379	408	431	450
	Lo PR	106	113	123	131	112	119	130	138	116	124	135	144	122	130	142	151	128	136	149	158	132	141	154	164
	MBh	17.5	17.9	19.1	20.5	17.1	17.5	18.7	20.0	16.7	17.1	18.2	19.5	16.3	16.7	17.8	19.0	15.5	15.8	16.9	18.1	14.3	14.7	15.7	16.7
650	S/T	0.91	0.85	0.69	0.52	0.94	0.88	0.72	0.54	0.97	0.91	0.74	0.55	1.00	0.94	0.76	0.57	1.00	1.00	0.79	0.59	1.00	1.00	0.80	0.60
	Δ T	22.5	21.6	18.8	15.0	22.8	21.9	19.0	15.2	22.8	21.9	19.0	15.2	23.1	22.0	19.2	15.3	21.9	22.4	18.9	15.1	20.3	20.7	17.7	14.1
	kW	1.07	1.09	1.13	1.17	1.16	1.18	1.22	1.27	1.24	1.26	1.31	1.36	1.30	1.34	1.38	1.43	1.36	1.40	1.45	1.50	1.42	1.45	1.50	1.55
	Amps	4.5	4.6	4.7	4.9	4.8	4.9	5.1	5.3	5.2	5.4	5.6	5.8	5.6	5.8	5.9	6.2	6.0	6.1	6.3	6.6	6.3	6.5	6.7	7.0
	Hi PR	214	230	243	253	240	258	272	284	273	293	310	323	310	334	353	368	349	376	397	414	386	415	439	457
Lo PR	108	115	125	133	114	121	132	141	118	126	137	146	124	132	144	154	130	139	151	161	135	143	157	167	

525	MBh	16.5	16.8	17.6	18.7	16.1	16.4	17.2	18.3	15.7	16.0	16.8	17.9	15.3	15.6	16.3	17.4	14.5	14.8	15.5	16.6	13.5	13.7	14.4	15.3
	S/T	0.92	0.89	0.80	0.65	0.95	0.92	0.83	0.67	0.98	0.94	0.85	0.69	1.00	0.97	0.88	0.71	1.00	1.00	0.91	0.74	1.00	1.00	0.92	0.75
	Δ T	26.5	26.1	24.6	21.3	26.8	26.4	24.9	21.6	26.9	26.4	25.0	21.6	26.8	26.6	25.1	21.8	25.5	26.0	24.8	21.5	23.6	24.1	23.2	20.0
	kW	1.05	1.07	1.11	1.15	1.14	1.16	1.20	1.24	1.21	1.24	1.28	1.33	1.28	1.31	1.36	1.41	1.34	1.37	1.42	1.47	1.39	1.42	1.47	1.53
	Amps	4.4	4.5	4.6	4.8	4.7	4.9	5.0	5.2	5.2	5.3	5.5	5.7	5.5	5.6	5.8	6.1	5.9	6.0	6.2	6.4	6.2	6.4	6.6	6.8
600	Hi PR	209	225	238	248	235	253	267	278	267	287	303	317	304	327	346	361	342	368	389	406	378	407	430	448
	Lo PR	106	112	123	131	112	119	130	138	116	123	135	143	122	130	141	151	128	136	148	158	132	140	153	163
	MBh	17.3	17.6	18.5	19.7	16.9	17.2	18.0	19.2	16.5	16.8	17.6	18.8	16.1	16.4	17.2	18.3	15.3	15.6	16.3	17.4	14.2	14.4	15.1	16.1
	S/T	0.93	0.90	0.81	0.66	0.97	0.93	0.84	0.68	0.99	0.96	0.86	0.70	1.00	0.99	0.89	0.72	1.00	1.00	0.93	0.75	1.00	1.00	0.93	0.76
	Δ T	24.8	24.3	23.0	19.9	25.1	24.6	23.3	20.2	25.1	24.7	23.3	20.2	24.7	24.8	23.5	20.3	23.4	23.9	23.2	20.0	21.7	22.1	21.6	18.7
650	kW	1.06	1.08	1.12	1.16	1.15	1.18	1.22	1.26	1.23	1.26	1.30	1.35	1.30	1.33	1.37	1.42	1.36	1.39	1.44	1.49	1.41	1.44	1.49	1.54
	Amps	4.4	4.5	4.7	4.9	4.8	4.9	5.1	5.3	5.2	5.3	5.5	5.7	5.6	5.7	5.9	6.1	5.9	6.1	6.3	6.5	6.3	6.4	6.7	6.9
	Hi PR	212	228	241	251	238	256	270	282	271	291	308	321	308	332	350	365	347	373	394	411	383	412	435	454
	Lo PR	107	114	124	132	113	120	131	140	118	125	136	145	123	131	143	153	129	138	150	160	134	142	155	166
	MBh	17.8	18.2	19.0	20.3	17.4	17.8	18.6	19.8	17.0	17.3	18.2	19.4	16.6	16.9	17.7	18.9	15.8	16.1	16.8	18.0	14.6	14.9	15.6	16.6
85	S/T	0.95	0.92	0.83	0.67	0.99	0.95	0.86	0.70	1.00	0.98	0.88	0.72	1.00	1.00	0.91	0.74	1.00	1.00	0.95	0.77	1.00	1.00	0.95	0.77
	Δ T	24.1	23.7	22.4	19.4	24.3	23.9	22.6	19.6	24.1	24.0	22.7	19.6	23.5	23.9	22.8	19.7	22.3	22.7	22.5	19.5	20.6	21.0	21.0	18.2
	kW	1.08	1.10	1.14	1.18	1.17	1.19	1.23	1.28	1.25	1.28	1.32	1.37	1.32	1.35	1.40	1.45	1.38	1.41	1.46	1.51	1.43	1.46	1.51	1.57
	Amps	4.5	4.6	4.8	4.9	4.9	5.0	5.2	5.4	5.3	5.4	5.6	5.8	5.7	5.8	6.0	6.2	6.0	6.2	6.4	6.6	6.4	6.6	6.8	7.0
	Hi PR	216	232	245	256	242	261	275	287	275	296	313	326	314	337	356	372	353	380	401	418	390	419	443	462
Lo PR	109	116	126	135	115	122	134	142	120	127	139	148	126	134	146	155	132	140	153	163	136	145	158	168	

IDB: Entering Indoor Dry Bulb Temperature
 High and low pressures are measured at the liquid and suction service valves.
 Shaded area reflects AHRI conditions
 Amps = outdoor unit amps (comp. + fan)
 kW = Total system power

EXPANDED COOLING DATA — GSX130241D* / CA*F1824*6D*

IDB	AIRFLOW	OUTDOOR AMBIENT TEMPERATURE																											
		65°F				75°F				85°F				95°F				105°F				115°F							
		59	63	67	71	59	63	67	71	59	63	67	71	59	63	67	71	59	63	67	71	59	63	67	71				
70	MBh	20.2	20.9	22.9	-	19.7	20.4	22.4	-	19.3	20.0	21.9	-	18.8	19.5	21.3	-	17.8	18.5	20.3	-	17.8	18.5	20.3	-	16.5	17.1	18.8	-
	S/T	0.69	0.58	0.40	-	0.72	0.60	0.41	-	0.73	0.61	0.42	-	0.76	0.63	0.44	-	0.79	0.66	0.46	-	0.79	0.66	0.46	-	0.79	0.66	0.46	-
	Δ T	18	16	12	-	19	16	12	-	19	16	12	-	19	16	12	-	18	16	12	-	18	16	12	-	17	15	11	-
	kW	1.60	1.63	1.68	-	1.71	1.75	1.80	-	1.82	1.85	1.91	-	1.91	1.95	2.01	-	1.98	2.02	2.09	-	1.98	2.02	2.09	-	2.05	2.09	2.16	-
	Amps	5.7	5.8	6.0	-	6.1	6.3	6.5	-	6.6	6.8	7.0	-	7.1	7.3	7.5	-	7.6	7.8	8.0	-	7.6	7.8	8.0	-	8.0	8.2	8.5	-
70	Hi PR	226	243	257	-	253	273	288	-	288	310	328	-	328	353	373	-	369	398	420	-	369	398	420	-	408	439	464	-
	Lo PR	99	105	115	-	105	111	122	-	109	116	126	-	114	122	133	-	120	127	139	-	120	127	139	-	124	132	144	-
	MBh	21.9	22.7	24.8	-	21.4	22.2	24.3	-	20.9	21.6	23.7	-	20.4	21.1	23.1	-	19.3	20.0	22.0	-	19.3	20.0	22.0	-	17.9	18.6	20.3	-
	S/T	0.72	0.60	0.41	-	0.74	0.62	0.43	-	0.76	0.64	0.44	-	0.79	0.66	0.45	-	0.82	0.68	0.47	-	0.82	0.68	0.47	-	0.82	0.69	0.48	-
	Δ T	18	16	12	-	18	16	12	-	18	16	12	-	18	16	12	-	18	16	12	-	18	16	12	-	17	15	11	-
70	kW	1.64	1.67	1.72	-	1.75	1.79	1.85	-	1.86	1.90	1.96	-	1.95	1.99	2.06	-	2.03	2.07	2.14	-	2.03	2.07	2.14	-	2.10	2.14	2.21	-
	Amps	5.8	6.0	6.1	-	6.3	6.4	6.7	-	6.8	7.0	7.2	-	7.3	7.5	7.8	-	7.8	8.0	8.3	-	7.8	8.0	8.3	-	8.3	8.5	8.8	-
	Hi PR	233	251	265	-	261	281	297	-	297	320	338	-	338	364	385	-	381	410	433	-	381	410	433	-	421	453	478	-
	Lo PR	102	109	119	-	108	115	125	-	112	119	130	-	118	125	137	-	124	131	143	-	124	131	143	-	128	136	148	-
	MBh	22.5	23.4	25.6	-	22.0	22.8	25.0	-	21.5	22.3	24.4	-	21.0	21.7	23.8	-	19.9	20.6	22.6	-	19.9	20.6	22.6	-	18.4	19.1	21.0	-
900	S/T	0.75	0.63	0.43	-	0.78	0.65	0.45	-	0.80	0.67	0.46	-	0.82	0.69	0.48	-	0.86	0.71	0.49	-	0.86	0.71	0.49	-	0.86	0.72	0.50	-
	Δ T	17	15	11	-	18	15	12	-	18	15	12	-	18	15	12	-	17	15	11	-	17	15	11	-	16	14	11	-
	kW	1.65	1.68	1.73	-	1.77	1.80	1.86	-	1.87	1.91	1.97	-	1.97	2.01	2.07	-	2.05	2.09	2.16	-	2.05	2.09	2.16	-	2.12	2.16	2.23	-
	Amps	5.9	6.0	6.2	-	6.3	6.5	6.7	-	6.9	7.1	7.3	-	7.4	7.6	7.8	-	7.9	8.1	8.3	-	7.9	8.1	8.3	-	8.3	8.6	8.8	-
	Hi PR	235	253	267	-	264	284	300	-	300	323	341	-	342	368	388	-	385	414	437	-	385	414	437	-	425	457	483	-
900	Lo PR	103	110	120	-	109	116	127	-	113	121	132	-	119	127	138	-	125	133	145	-	125	133	145	-	129	137	150	-

700	MBh	20.5	21.1	22.9	24.6	20.1	20.7	22.4	24.0	19.6	20.2	21.8	23.4	19.1	19.7	21.3	22.9	18.2	18.7	20.2	21.7	16.8	17.3	18.7	20.1
	S/T	0.79	0.70	0.53	0.34	0.81	0.73	0.55	0.35	0.83	0.75	0.56	0.36	0.86	0.77	0.58	0.38	0.89	0.80	0.61	0.39	0.90	0.81	0.61	0.39
	Δ T	21	20	16	11	21	20	16	11	21	20	16	11	22	20	16	11	21	20	16	11	20	18	15	10
	kW	1.61	1.64	1.69	1.74	1.73	1.76	1.82	1.87	1.83	1.87	1.93	1.99	1.92	1.96	2.02	2.09	2.00	2.04	2.11	2.17	2.07	2.11	2.18	2.25
	Amps	5.7	5.8	6.0	6.3	6.2	6.3	6.5	6.8	6.7	6.9	7.1	7.4	7.2	7.4	7.6	7.9	7.6	7.8	8.1	8.4	8.1	8.3	8.6	8.9
700	Hi PR	228	246	259	270	256	276	291	303	291	313	331	345	332	357	377	393	373	402	424	442	412	444	469	489
	Lo PR	100	107	116	124	106	113	123	131	110	117	128	136	116	123	134	143	121	129	141	150	125	133	145	155
	MBh	22.3	22.9	24.8	26.6	21.7	22.4	24.2	26.0	21.2	21.8	23.6	25.4	20.7	21.3	23.1	24.8	19.7	20.2	21.9	23.5	18.2	18.8	20.3	21.8
	S/T	0.81	0.73	0.55	0.35	0.84	0.76	0.57	0.37	0.87	0.77	0.59	0.38	0.89	0.80	0.60	0.39	0.93	0.83	0.63	0.40	0.94	0.84	0.63	0.41
	Δ T	21	19	16	11	21	19	16	11	21	19	16	11	21	20	16	11	21	19	16	11	20	18	15	10
700	kW	1.65	1.68	1.73	1.78	1.77	1.80	1.86	1.92	1.87	1.91	1.97	2.04	1.97	2.01	2.07	2.14	2.05	2.09	2.16	2.23	2.12	2.16	2.23	2.30
	Amps	5.9	6.0	6.2	6.4	6.3	6.5	6.7	7.0	6.9	7.1	7.3	7.6	7.4	7.6	7.8	8.1	7.9	8.1	8.3	8.7	8.3	8.6	8.8	9.2
	Hi PR	235	253	267	279	264	284	300	313	300	323	341	356	342	368	389	405	385	414	437	456	425	457	483	504
	Lo PR	103	110	120	128	109	116	127	135	113	121	132	140	119	127	138	147	125	133	145	154	129	137	150	160
	MBh	22.9	23.6	25.5	27.4	22.4	23.0	24.9	26.8	21.9	22.5	24.4	26.1	21.3	22.0	23.8	25.5	20.3	20.9	22.6	24.2	18.8	19.3	20.9	22.4
700	S/T	0.85	0.76	0.58	0.37	0.89	0.79	0.60	0.39	0.91	0.81	0.61	0.40	0.94	0.84	0.63	0.41	0.97	0.87	0.66	0.42	0.98	0.88	0.66	0.43
	Δ T	20	18	15	10	20	19	15	11	20	19	15	11	20	19	15	11	20	19	15	10	19	17	14	10
	kW	1.66	1.69	1.75	1.80	1.78	1.82	1.87	1.93	1.89	1.93	1.99	2.05	1.98	2.03	2.09	2.16	2.06	2.11	2.18	2.25	2.13	2.18	2.25	2.32
	Amps	5.9	6.1	6.3	6.5	6.4	6.6	6.8	7.0	7.0	7.1	7.4	7.7	7.5	7.6	7.9	8.2	7.9	8.1	8.4	8.7	8.4	8.6	8.9	9.3
	Hi PR	238	256	270	282	267	287	303	316	303	326	345	359	345	372	392	409	389	418	442	461	429	462	488	509
700	Lo PR	104	111	121	129	110	117	128	136	114	122	133	142	120	128	140	149	126	134	146	156	130	139	151	161

IDB: Entering Indoor Dry Bulb Temperature
 High and low pressures are measured at the liquid and suction service valves.
 Shaded area reflects ACCA (TVA) conditions
 Amps = outdoor unit amps (comp. + fan)
 kW = Total system power

EXPANDED COOLING DATA — GSX130241D* / CA*F1824*6D* (CONT.)

IDB	AIRFLOW	OUTDOOR AMBIENT TEMPERATURE																							
		65°F				75°F				85°F				95°F				105°F				115°F			
		59	63	67	71	59	63	67	71	59	63	67	71	59	63	67	71	59	63	67	71	59	63	67	71
700	MBh	20.9	21.4	22.8	24.4	20.4	20.9	22.3	23.8	19.9	20.4	21.8	23.3	19.4	19.9	21.2	22.7	18.5	18.9	20.2	21.6	17.1	17.5	18.7	20.0
	S/T	0.86	0.81	0.66	0.49	0.89	0.84	0.68	0.51	0.92	0.86	0.70	0.52	0.94	0.89	0.72	0.54	0.98	0.92	0.75	0.56	0.99	0.93	0.75	0.56
	Δ T	24	23	20	16	24	23	20	16	24	23	20	16	24	23	20	16	24	23	20	16	22	21	19	15
	kW	1.62	1.66	1.71	1.76	1.74	1.78	1.83	1.89	1.85	1.88	1.94	2.00	1.94	1.98	2.04	2.10	2.01	2.06	2.12	2.19	2.08	2.13	2.19	2.27
	Amps	5.8	5.9	6.1	6.3	6.2	6.4	6.6	6.8	6.8	6.9	7.2	7.4	7.2	7.4	7.7	8.0	7.7	7.9	8.2	8.5	8.2	8.4	8.7	9.0
80	Hi PR	231	248	262	273	259	278	294	307	294	317	334	349	335	361	381	397	377	406	428	447	416	448	473	494
	Lo PR	101	108	117	125	107	114	124	132	111	118	129	137	117	124	136	144	122	130	142	151	126	135	147	156
	MBh	22.6	23.1	24.7	26.4	22.1	22.6	24.2	25.8	21.6	22.1	23.6	25.2	21.1	21.5	23.0	24.6	20.0	20.5	21.9	23.4	18.5	18.9	20.2	21.6
	S/T	0.89	0.84	0.68	0.51	0.93	0.87	0.71	0.53	0.95	0.89	0.72	0.54	0.98	0.92	0.75	0.56	1.00	0.95	0.78	0.58	1.00	0.96	0.78	0.59
	Δ T	23	22	19	15	24	23	20	16	24	23	20	16	24	23	20	16	23	22	19	16	21	21	18	15
900	kW	1.66	1.69	1.75	1.80	1.78	1.82	1.87	1.93	1.89	1.93	1.99	2.05	1.98	2.03	2.09	2.16	2.06	2.11	2.18	2.25	2.13	2.18	2.25	2.32
	Amps	5.9	6.1	6.3	6.5	6.4	6.6	6.8	7.0	7.0	7.1	7.4	7.7	7.5	7.6	7.9	8.2	7.9	8.1	8.4	8.7	8.4	8.6	8.9	9.3
	Hi PR	238	256	270	282	267	287	303	316	303	326	345	359	345	372	393	409	389	418	442	461	429	462	488	509
	Lo PR	104	111	121	129	110	117	128	136	115	122	133	142	120	128	140	149	126	134	146	156	130	139	151	161
	MBh	23.3	23.8	25.5	27.2	22.8	23.3	24.9	26.6	22.2	22.7	24.3	26.0	21.7	22.2	23.7	25.3	20.6	21.1	22.5	24.1	19.1	19.5	20.8	22.3

IDB	AIRFLOW	OUTDOOR AMBIENT TEMPERATURE																							
		65°F				75°F				85°F				95°F				105°F				115°F			
		59	63	67	71	59	63	67	71	59	63	67	71	59	63	67	71	59	63	67	71	59	63	67	71
700	MBh	21.3	21.7	22.7	24.2	20.8	21.2	22.2	23.7	20.3	20.7	21.7	23.1	19.8	20.2	21.1	22.5	18.8	19.2	20.1	21.4	17.4	17.7	18.6	19.8
	S/T	0.90	0.87	0.79	0.64	0.94	0.90	0.81	0.66	0.96	0.93	0.84	0.68	0.99	0.96	0.86	0.70	1.00	0.99	0.90	0.73	1.00	1.00	0.90	0.73
	Δ T	25	25	23	20	26	25	24	21	26	25	24	21	26	25	24	21	25	25	24	20	23	23	22	19
	kW	1.64	1.67	1.72	1.77	1.75	1.79	1.84	1.90	1.86	1.90	1.96	2.02	1.95	1.99	2.06	2.12	2.03	2.07	2.14	2.21	2.10	2.14	2.21	2.28
	Amps	5.8	5.9	6.1	6.4	6.3	6.4	6.7	6.9	6.8	7.0	7.2	7.5	7.3	7.5	7.7	8.0	7.8	8.0	8.3	8.6	8.3	8.5	8.8	9.1
800	Hi PR	233	251	265	276	261	281	297	310	297	320	338	352	338	364	385	401	381	410	433	451	421	453	478	499
	Lo PR	102	109	119	126	108	115	125	134	112	119	130	139	118	125	137	146	123	131	143	153	128	136	148	158
	MBh	23.0	23.5	24.6	26.2	22.5	22.9	24.0	25.6	22.0	22.4	23.5	25.0	21.4	21.9	22.9	24.4	20.4	20.8	21.7	23.2	18.9	19.2	20.1	21.5
	S/T	0.94	0.90	0.82	0.66	0.97	0.94	0.85	0.69	1.00	0.96	0.87	0.70	1.00	0.99	0.89	0.73	1.00	1.00	0.93	0.75	1.00	1.00	0.94	0.76
	Δ T	25	24	23	20	25	25	23	20	25	25	23	20	25	25	24	20	23	24	23	20	22	22	20	19
900	kW	1.67	1.71	1.76	1.81	1.80	1.83	1.89	1.95	1.90	1.94	2.00	2.07	2.00	2.04	2.11	2.17	2.08	2.13	2.19	2.26	2.15	2.20	2.27	2.34
	Amps	6.0	6.1	6.3	6.6	6.5	6.6	6.8	7.1	7.0	7.2	7.5	7.7	7.5	7.7	8.0	8.3	8.0	8.2	8.5	8.8	8.5	8.7	9.0	9.4
	Hi PR	240	258	273	284	269	290	306	319	306	330	348	363	349	375	396	413	392	422	446	465	434	467	493	514
	Lo PR	105	112	122	130	111	118	129	138	116	123	134	143	121	129	141	150	127	135	148	157	132	140	153	163
	MBh	23.7	24.2	25.3	27.0	23.2	23.6	24.8	26.4	22.6	23.1	24.2	25.8	22.1	22.5	23.6	25.1	21.0	21.4	22.4	23.9	19.4	19.8	20.7	22.1

IDB: Entering Indoor Dry Bulb Temperature
 High and low pressures are measured at the liquid and suction service valves.
 Shaded area reflects AHRI conditions
 Amps = outdoor unit amps (comp.+fan)
 kW = Total system power

EXPANDED COOLING DATA — GSX130301B* / CA*F3030*6D*

IDB	AIRFLOW	OUTDOOR AMBIENT TEMPERATURE																							
		65°F				75°F				85°F				95°F				105°F				115°F			
		59	63	67	71	59	63	67	71	59	63	67	71	59	63	67	71	59	63	67	71	59	63	67	71
70	MBh	26.2	27.2	29.8	-	25.6	26.6	29.1	-	25.0	25.9	28.4	-	24.4	25.3	27.7	-	23.2	24.0	26.3	-	21.5	22.3	24.4	-
	S/T	0.71	0.59	0.41	-	0.74	0.62	0.43	-	0.76	0.63	0.44	-	0.78	0.65	0.45	-	0.81	0.68	0.47	-	0.82	0.68	0.47	-
	Δ T	18	16	12	-	18	16	12	-	18	16	12	-	19	16	12	-	18	16	12	-	17	15	11	-
	kW	2.01	2.05	2.11	-	2.15	2.20	2.26	-	2.28	2.33	2.40	-	2.39	2.44	2.51	-	2.48	2.54	2.62	-	2.57	2.62	2.70	-
	Amps	6.9	7.1	7.3	-	7.5	7.7	8.0	-	8.2	8.4	8.7	-	8.7	9.0	9.3	-	9.3	9.5	9.9	-	9.9	10.1	10.5	-
945	Hi PR	244	262	277	-	274	294	311	-	311	335	354	-	354	381	403	-	399	429	453	-	440	474	501	-
	Lo PR	104	110	120	-	109	116	127	-	114	121	132	-	119	127	139	-	125	133	145	-	129	138	150	-
	MBh	26.6	27.6	30.3	-	26.0	27.0	29.5	-	25.4	26.3	28.8	-	24.8	25.7	28.1	-	23.5	24.4	26.7	-	21.8	22.6	24.8	-
	S/T	0.74	0.62	0.43	-	0.76	0.64	0.44	-	0.78	0.65	0.45	-	0.81	0.68	0.47	-	0.84	0.70	0.49	-	0.85	0.71	0.49	-
	Δ T	17	15	11	-	17	15	11	-	17	15	11	-	18	15	12	-	17	15	11	-	16	14	11	-
1050	kW	2.04	2.08	2.14	-	2.18	2.23	2.29	-	2.31	2.36	2.43	-	2.42	2.47	2.55	-	2.52	2.57	2.65	-	2.60	2.66	2.74	-
	Amps	7.0	7.2	7.5	-	7.6	7.8	8.1	-	8.3	8.5	8.8	-	8.9	9.1	9.4	-	9.5	9.7	10.0	-	10.0	10.3	10.6	-
	Hi PR	248	267	282	-	278	299	316	-	317	341	360	-	360	388	410	-	406	436	461	-	448	482	509	-
	Lo PR	105	112	122	-	111	118	129	-	116	123	134	-	122	129	141	-	127	135	148	-	132	140	153	-
	MBh	27.0	28.0	30.7	-	26.4	27.4	30.0	-	25.8	26.7	29.3	-	25.2	26.1	28.6	-	23.9	24.8	27.1	-	22.1	22.9	25.1	-
1155	S/T	0.77	0.64	0.45	-	0.80	0.67	0.46	-	0.82	0.68	0.47	-	0.85	0.71	0.49	-	0.88	0.73	0.51	-	0.88	0.74	0.51	-
	Δ T	17	14	11	-	17	15	11	-	17	15	11	-	17	15	11	-	17	14	11	-	16	13	10	-
	kW	2.05	2.09	2.15	-	2.19	2.24	2.30	-	2.32	2.37	2.44	-	2.44	2.49	2.56	-	2.53	2.59	2.67	-	2.62	2.67	2.76	-
	Amps	7.1	7.3	7.5	-	7.7	7.9	8.1	-	8.4	8.6	8.9	-	8.9	9.2	9.5	-	9.5	9.8	10.1	-	10.1	10.4	10.7	-
	Hi PR	250	269	284	-	280	302	318	-	319	343	362	-	363	391	413	-	408	439	464	-	451	486	513	-
Lo PR	106	113	123	-	112	119	130	-	116	124	135	-	122	130	142	-	128	136	149	-	133	141	154	-	

75	MBh	26.7	27.5	29.7	31.9	26.1	26.8	29.0	31.2	25.4	26.2	28.4	30.4	24.8	25.6	27.7	29.7	23.6	24.3	26.3	28.2	21.8	22.5	24.3	26.1
	S/T	0.81	0.72	0.55	0.35	0.84	0.75	0.57	0.36	0.86	0.77	0.58	0.37	0.89	0.79	0.60	0.39	0.92	0.82	0.62	0.40	0.93	0.83	0.63	0.40
	Δ T	21	19	16	11	21	20	16	11	21	20	16	11	21	20	16	11	21	19	16	11	20	18	15	10
	kW	2.03	2.07	2.13	2.19	2.17	2.21	2.28	2.35	2.30	2.34	2.42	2.49	2.41	2.46	2.53	2.61	2.50	2.56	2.64	2.72	2.59	2.64	2.72	2.81
	Amps	7.0	7.2	7.4	7.7	7.6	7.8	8.0	8.3	8.2	8.5	8.7	9.1	8.8	9.0	9.3	9.7	9.4	9.6	10.0	10.3	10.0	10.2	10.6	11.0
945	Hi PR	246	265	280	292	276	297	314	328	314	338	357	373	358	385	407	424	403	433	458	477	445	479	506	527
	Lo PR	105	111	121	129	111	118	128	137	115	122	133	142	121	128	140	149	126	135	147	156	131	139	152	162
	MBh	27.1	27.9	30.2	32.4	26.5	27.2	29.5	31.6	25.8	26.6	28.8	30.9	25.2	25.9	28.1	30.1	23.9	24.6	26.7	28.6	22.2	22.8	24.7	26.5
	S/T	0.84	0.75	0.57	0.37	0.87	0.78	0.59	0.38	0.89	0.80	0.60	0.39	0.92	0.82	0.62	0.40	0.95	0.85	0.65	0.42	0.96	0.86	0.65	0.42
	Δ T	20	18	15	10	20	19	15	10	20	19	15	10	20	19	15	11	20	18	15	10	19	17	14	10
1050	kW	2.05	2.09	2.15	2.22	2.20	2.24	2.31	2.38	2.33	2.38	2.45	2.52	2.44	2.49	2.57	2.65	2.54	2.59	2.67	2.76	2.62	2.68	2.76	2.85
	Amps	7.1	7.3	7.5	7.8	7.7	7.9	8.2	8.5	8.4	8.6	8.9	9.2	9.0	9.2	9.5	9.9	9.6	9.8	10.1	10.5	10.1	10.4	10.7	11.2
	Hi PR	251	270	285	297	281	303	319	333	320	344	363	379	364	392	414	432	410	441	466	486	453	487	514	536
	Lo PR	106	113	124	132	112	120	131	139	117	124	136	145	123	131	143	152	129	137	149	159	133	142	155	165
	MBh	27.5	28.3	30.6	32.9	26.9	27.7	29.9	32.1	26.2	27.0	29.2	31.4	25.6	26.3	28.5	30.6	24.3	25.0	27.1	29.1	22.5	23.2	25.1	26.9
1155	S/T	0.88	0.78	0.59	0.38	0.91	0.81	0.61	0.40	0.93	0.83	0.63	0.41	0.96	0.86	0.65	0.42	1.00	0.89	0.67	0.43	1.00	0.90	0.68	0.44
	Δ T	19	18	14	10	19	18	15	10	19	18	15	10	20	18	15	10	19	18	15	10	18	17	14	9
	kW	2.06	2.10	2.16	2.23	2.21	2.25	2.32	2.39	2.34	2.39	2.46	2.54	2.45	2.51	2.58	2.67	2.55	2.61	2.69	2.77	2.64	2.69	2.78	2.87
	Amps	7.2	7.3	7.6	7.9	7.8	7.9	8.2	8.5	8.4	8.6	8.9	9.3	9.0	9.2	9.6	9.9	9.6	9.9	10.2	10.6	10.2	10.5	10.8	11.2
	Hi PR	252	272	287	299	283	305	322	336	322	346	366	382	367	395	417	435	413	444	469	489	456	491	518	540
Lo PR	107	114	124	133	113	120	131	140	118	125	137	146	124	131	144	153	130	138	150	160	134	143	156	166	

IDB: Entering Indoor Dry Bulb Temperature
 High and low pressures are measured at the liquid and suction service valves.
 Shaded area reflects ACCA (TVA) conditions
 Amps = outdoor unit amps (comp.+fan)
 kW = Total system power

EXPANDED COOLING DATA — GSX130301B* / CA*F3030*6D* (CONT.)

IDB	AIRFLOW	OUTDOOR AMBIENT TEMPERATURE												ENTERING INDOOR WET BULB TEMPERATURE																																																						
		65°F				75°F				85°F				95°F				105°F				115°F																																														
		59	63	67	71	59	63	67	71	59	63	67	71	59	63	67	71	59	63	67	71	59	63	67	71																																											
80	945	MBh	27.2	27.8	29.6	31.7	26.5	27.1	29.0	31.0	25.9	26.5	28.3	30.2	25.3	25.8	27.6	29.5	24.0	24.5	26.2	28.0	22.2	22.7	24.3	25.9	S/T	0.89	0.83	0.68	0.51	0.92	0.86	0.70	0.52	0.94	0.88	0.72	0.54	0.97	0.91	0.74	0.56	1.01	0.95	0.77	0.58	1.00	0.95	0.78	0.58	Δ T	23	22	20	16	24	23	20	16	24	23	20	16	22	21	18	15
		kW	2.04	2.08	2.14	2.21	2.19	2.23	2.30	2.37	2.31	2.36	2.43	2.51	2.43	2.48	2.56	2.64	2.52	2.58	2.66	2.74	2.61	2.66	2.75	2.83	Amps	7.1	7.2	7.5	7.8	7.7	7.8	8.1	8.4	8.9	9.1	9.4	9.8	9.5	9.7	10.1	10.4	10.1	10.3	10.7	11.1																					
	Hi PR	249	268	283	295	279	300	317	331	317	342	361	376	362	389	411	429	407	438	462	482	449	484	511	533	Lo PR	106	112	123	131	112	119	130	138	116	123	135	144	122	130	142	151	128	136	148	158	132	141	153	163																		
	MBh	27.6	28.2	30.1	32.2	26.9	27.5	29.4	31.4	26.3	26.9	28.7	30.7	25.6	26.2	28.0	30.0	24.4	24.9	26.6	28.4	22.6	23.1	24.6	26.3	S/T	0.92	0.86	0.70	0.52	0.95	0.89	0.73	0.54	0.98	0.92	0.75	0.56	1.00	0.95	0.77	0.58	1.00	0.98	0.80	0.60	1.00	0.99	0.81	0.60	Δ T	22	21	18	15	22	22	19	15	22	22	19	15	20	20	17	14	
	kW	2.07	2.11	2.17	2.23	2.21	2.26	2.33	2.40	2.35	2.39	2.47	2.54	2.46	2.51	2.59	2.67	2.56	2.61	2.69	2.78	2.64	2.70	2.78	2.87	Amps	7.2	7.4	7.6	7.9	7.8	8.0	8.2	8.5	9.1	9.3	9.6	10.0	9.6	9.9	10.2	10.6	10.2	10.5	10.8	11.3																						
	Hi PR	253	272	288	300	284	306	323	337	323	348	367	383	368	396	418	436	414	445	470	490	457	492	520	542	Lo PR	107	114	125	133	114	121	132	140	118	126	137	146	124	132	144	153	130	138	151	161	134	143	156	166																		
	MBh	28.0	28.6	30.6	32.7	27.3	27.9	29.8	31.9	26.7	27.3	29.1	31.1	26.0	26.6	28.4	30.4	24.7	25.3	27.0	28.9	22.9	23.4	25.0	26.7	S/T	0.96	0.90	0.73	0.55	1.00	0.93	0.76	0.57	1.00	0.96	0.78	0.58	1.00	1.00	0.80	0.60	1.00	1.00	0.83	0.62	1.00	1.00	0.84	0.63	Δ T	21	21	18	14	22	21	18	14	21	21	18	14	20	20	17	13	
	kW	2.08	2.12	2.18	2.25	2.23	2.27	2.34	2.41	2.36	2.41	2.48	2.56	2.47	2.53	2.60	2.69	2.57	2.63	2.71	2.80	2.66	2.71	2.80	2.89	Amps	7.2	7.4	7.7	7.9	7.8	8.0	8.3	8.6	9.1	9.3	9.7	10.0	9.7	9.9	10.3	10.7	10.3	10.6	10.9	11.3																						
	Hi PR	255	274	290	302	286	308	325	339	325	350	370	385	370	399	421	439	417	448	474	494	460	495	523	546	Lo PR	108	115	126	134	114	122	133	141	119	126	138	147	125	133	145	154	131	139	152	162	135	144	157	167																		
	85	945	MBh	27.6	28.2	29.5	31.5	27.0	27.5	28.8	30.7	26.3	26.9	28.1	30.0	25.7	26.2	27.4	29.3	24.4	24.9	26.1	27.8	22.6	23.1	24.1	25.8	S/T	0.93	0.90	0.81	0.66	0.96	0.93	0.84	0.68	0.99	0.95	0.86	0.70	1.00	0.98	0.89	0.72	1.00	1.00	0.92	0.75	1.00	1.00	0.93	0.75	Δ T	25	25	23	20	25	25	24	21	24	24	23	20	22	22	22
kW			2.06	2.10	2.16	2.22	2.20	2.25	2.31	2.39	2.33	2.38	2.45	2.53	2.45	2.50	2.58	2.66	2.54	2.60	2.68	2.76	2.63	2.68	2.77	2.86	Amps	7.1	7.3	7.6	7.8	7.7	7.9	8.2	8.5	9.0	9.2	9.5	9.9	9.6	9.8	10.2	10.5	10.2	10.4	10.8	11.2																					
Hi PR		251	270	286	298	282	303	320	334	321	345	364	380	365	393	415	433	411	442	467	487	454	489	516	538	Lo PR	107	114	124	132	113	120	131	139	117	125	136	145	123	131	143	152	129	137	150	160	133	142	155	165																		
MBh		28.1	28.6	29.9	32.0	27.4	27.9	29.3	31.2	26.7	27.3	28.6	30.5	26.1	26.6	27.9	29.7	24.8	25.3	26.5	28.2	23.0	23.4	24.5	26.2	S/T	0.96	0.93	0.84	0.68	1.00	0.96	0.87	0.71	1.00	1.00	0.96	0.78	1.00	1.00	0.96	0.78	1.00	1.00	0.96	0.78	Δ T	24	23	22	19	24	24	22	19	22	22	22	19	20	20	21	18					
kW		2.08	2.12	2.19	2.25	2.23	2.28	2.35	2.42	2.36	2.41	2.49	2.56	2.48	2.53	2.61	2.69	2.58	2.63	2.72	2.80	2.66	2.72	2.81	2.90	Amps	7.2	7.4	7.7	8.0	7.8	8.0	8.3	8.6	9.1	9.4	9.7	10.1	9.7	10.0	10.3	10.7	10.3	10.6	10.9	11.4																						
Hi PR		256	275	290	303	287	309	326	340	326	351	371	387	372	400	422	440	418	450	475	495	462	497	525	547	Lo PR	109	116	126	134	115	122	133	142	119	127	138	147	125	133	145	155	131	140	152	162	136	144	158	168																		
MBh		28.5	29.0	30.4	32.4	27.8	28.4	29.7	31.7	27.1	27.7	29.0	30.9	26.5	27.0	28.3	30.2	25.2	25.7	26.9	28.7	23.3	23.8	24.9	26.5	S/T	1.00	0.97	0.88	0.71	1.00	1.00	0.91	0.74	1.00	1.00	0.96	0.78	1.00	1.00	0.96	0.78	1.00	1.00	0.96	0.78	Δ T	23	22	21	18	22	23	21	19	22	22	21	18	20	20	21	17					
kW		2.09	2.13	2.20	2.26	2.24	2.29	2.36	2.43	2.38	2.43	2.50	2.58	2.49	2.55	2.62	2.71	2.59	2.65	2.73	2.82	2.68	2.74	2.82	2.91	Amps	7.3	7.5	7.7	8.0	7.9	8.1	8.4	8.7	9.2	9.4	9.7	10.1	9.8	10.0	10.4	10.8	10.4	10.7	11.0	11.4																						
Hi PR		257	277	292	305	289	311	328	342	328	353	373	389	374	403	425	443	421	453	478	499	465	500	528	551	Lo PR	109	116	127	135	116	123	134	143	120	128	139	148	126	134	146	156	132	141	153	163	137	145	159	169																		

IDB: Entering Indoor Dry Bulb Temperature
 High and low pressures are measured at the liquid and suction service valves.
 Shaded area reflects AHRI conditions
 Amps = outdoor unit amps (comp. + fan)
 kW = Total system power

EXPANDED COOLING DATA — GSX130361C* / CA*F3642*6C*

IDB	AIRFLOW	OUTDOOR AMBIENT TEMPERATURE												ENTERING INDOOR WET BULB TEMPERATURE											
		65°F				75°F				85°F				95°F				105°F				115°F			
		59	63	67	71	59	63	67	71	59	63	67	71	59	63	67	71	59	63	67	71	59	63	67	71
70	MBh	32.8	34.0	37.2	-	32.0	33.2	36.4	-	31.3	32.4	35.5	-	30.5	31.6	34.6	-	29.0	30.0	32.9	-	26.8	27.8	30.5	-
	S/T	0.80	0.67	0.47	-	0.83	0.70	0.48	-	0.85	0.71	0.49	-	0.88	0.74	0.51	-	0.92	0.76	0.53	-	0.92	0.77	0.53	-
	Δ T	18	16	12	-	18	16	12	-	18	16	12	-	18	16	12	-	18	16	12	-	17	15	11	-
	kW	1.92	1.97	2.06	-	2.12	2.19	2.28	-	2.31	2.37	2.48	-	2.47	2.54	2.65	-	2.61	2.68	2.80	-	2.72	2.80	2.92	-
	Amps	10.4	10.6	11.0	-	11.2	11.5	11.9	-	12.2	12.5	12.9	-	13.0	13.4	13.8	-	13.9	14.2	14.7	-	14.7	15.1	15.6	-
	Hi PR	200	215	227	-	224	241	255	-	255	275	290	-	291	313	330	-	327	352	371	-	361	389	410	-
Lo PR	97	104	113	-	103	109	119	-	107	114	124	-	112	119	130	-	118	125	137	-	122	130	141	-	
986	MBh	31.7	32.8	36.0	-	30.9	32.1	35.1	-	30.2	31.3	34.3	-	29.5	30.5	33.5	-	28.0	29.0	31.8	-	25.9	26.9	29.4	-
	S/T	0.76	0.63	0.44	-	0.78	0.66	0.45	-	0.80	0.67	0.47	-	0.83	0.69	0.48	-	0.86	0.72	0.50	-	0.87	0.73	0.50	-
	Δ T	22	19	15	-	23	20	15	-	23	20	15	-	23	20	15	-	22	19	15	-	21	18	14	-
	kW	1.88	1.93	2.02	-	2.08	2.14	2.23	-	2.26	2.32	2.42	-	2.42	2.49	2.59	-	2.55	2.62	2.74	-	2.67	2.74	2.86	-
	Amps	10.2	10.5	10.8	-	11.0	11.3	11.7	-	12.0	12.3	12.7	-	12.8	13.1	13.5	-	13.6	14.0	14.4	-	14.4	14.8	15.3	-
	Hi PR	196	211	223	-	220	237	250	-	250	269	284	-	285	307	324	-	320	345	364	-	354	381	402	-
Lo PR	95	102	111	-	101	107	117	-	105	112	122	-	110	117	128	-	115	123	134	-	119	127	139	-	
1050	MBh	32.0	33.2	36.3	-	31.2	32.4	35.5	-	30.5	31.6	34.6	-	29.8	30.8	33.8	-	28.3	29.3	32.1	-	26.2	27.1	29.7	-
	S/T	0.77	0.64	0.45	-	0.80	0.67	0.46	-	0.82	0.68	0.47	-	0.85	0.71	0.49	-	0.88	0.73	0.51	-	0.89	0.74	0.51	-
	Δ T	22	19	14	-	22	19	14	-	22	19	14	-	22	19	14	-	22	19	14	-	20	18	13	-
	kW	1.88	1.94	2.02	-	2.08	2.15	2.24	-	2.26	2.33	2.43	-	2.42	2.49	2.60	-	2.56	2.63	2.74	-	2.67	2.75	2.87	-
	Amps	10.2	10.5	10.8	-	11.1	11.3	11.7	-	12.0	12.3	12.7	-	12.8	13.1	13.6	-	13.7	14.0	14.5	-	14.5	14.8	15.3	-
	Hi PR	197	212	223	-	221	237	251	-	251	270	285	-	286	307	325	-	321	346	365	-	355	382	404	-
Lo PR	96	102	111	-	101	108	117	-	105	112	122	-	110	117	128	-	116	123	134	-	120	127	139	-	

1350	MBh	33.34	34.32	37.15	39.87	32.56	33.52	36.29	38.94	31.78	32.73	35.42	38.02	31.01	31.93	34.56	37.09	29.46	30.33	32.83	35.24	27.29	28.10	30.41	32.64
	S/T	0.91	0.82	0.62	0.40	0.95	0.85	0.64	0.41	0.97	0.87	0.66	0.42	1.00	0.90	0.68	0.44	1.00	0.93	0.70	0.45	1.00	0.94	0.71	0.46
	Δ T	21	19	16	11	21	19	16	11	21	19	16	11	21	20	16	11	20	19	16	11	19	18	15	10
	kW	1.94	2.00	2.08	2.18	2.15	2.21	2.31	2.41	2.33	2.40	2.50	2.61	2.50	2.57	2.68	2.79	2.63	2.71	2.83	2.95	2.75	2.83	2.95	3.08
	Amps	10.5	10.7	11.1	11.5	11.3	11.6	12.0	12.4	12.3	12.6	13.0	13.5	13.2	13.5	13.9	14.5	14.0	14.3	14.8	15.4	14.8	15.2	15.7	16.3
	Hi PR	202	217	229	239	227	244	257	269	258	277	293	305	294	316	334	348	330	355	375	391	365	393	415	432
Lo PR	98	105	114	122	104	111	121	129	108	115	125	134	113	121	132	140	119	127	138	147	123	131	143	152	
986	MBh	32.2	33.2	35.9	38.5	31.5	32.4	35.1	37.6	30.7	31.6	34.2	36.7	30.0	30.8	33.4	35.8	28.5	29.3	31.7	34.0	26.4	27.1	29.4	31.5
	S/T	0.86	0.77	0.58	0.37	0.89	0.80	0.60	0.39	0.91	0.82	0.62	0.40	0.94	0.84	0.64	0.41	0.98	0.88	0.66	0.43	0.99	0.88	0.67	0.43
	Δ T	26	24	19	13	26	24	20	14	26	24	20	14	26	24	20	14	26	24	20	14	24	22	18	13
	kW	1.90	1.95	2.04	2.13	2.10	2.16	2.26	2.36	2.28	2.35	2.45	2.56	2.44	2.51	2.62	2.73	2.58	2.65	2.77	2.89	2.70	2.77	2.89	3.02
	Amps	10.3	10.6	10.9	11.3	11.1	11.4	11.8	12.2	12.1	12.4	12.8	13.3	12.9	13.2	13.7	14.2	13.7	14.1	14.6	15.1	14.6	14.9	15.4	16.0
	Hi PR	198	213	225	235	222	239	252	263	253	272	287	299	288	310	327	341	324	348	368	384	358	385	406	424
Lo PR	96	103	112	119	102	108	118	126	106	113	123	131	111	118	129	138	117	124	135	144	121	128	140	149	
1050	MBh	32.5	33.5	36.3	38.9	31.8	32.7	35.4	38.0	31.0	31.9	34.6	37.1	30.3	31.16	33.7	36.2	28.7	29.6	32.0	34.4	26.6	27.4	29.7	31.9
	S/T	0.88	0.78	0.59	0.38	0.91	0.81	0.62	0.40	0.93	0.83	0.63	0.41	0.96	0.86	0.65	0.42	1.00	0.89	0.68	0.43	1.00	0.90	0.68	0.44
	Δ T	25	23	19	13	25	23	19	13	25	23	19	13	25	23	19	13	25	23	19	13	23	22	18	12
	kW	1.90	1.96	2.05	2.14	2.11	2.17	2.27	2.36	2.29	2.36	2.46	2.57	2.45	2.52	2.63	2.74	2.59	2.66	2.78	2.89	2.70	2.78	2.90	3.03
	Amps	10.3	10.6	10.9	11.3	11.2	11.4	11.8	12.2	12.1	12.4	12.8	13.3	13.0	13.3	13.7	14.2	13.8	14.1	14.6	15.1	14.6	15.0	15.5	16.1
	Hi PR	199	214	226	235	223	240	253	264	253	273	288	300	289	311	328	342	325	349	369	385	359	386	408	425
Lo PR	97	103	112	120	102	109	119	126	106	113	123	131	112	119	130	138	117	124	136	145	121	129	140	150	

IDB: Entering Indoor Dry Bulb Temperature
 High and low pressures are measured at the liquid and suction service valves.
 Shaded area reflects ACCA (TVA) conditions
 Amps = outdoor unit amps (comp.+fan)
 kW = Total system power

EXPANDED COOLING DATA — GSX130361C* / CA*F3642*6C* (CONT.)

IDB	AIRFLOW	OUTDOOR AMBIENT TEMPERATURE																							
		65°F				75°F				85°F				95°F				105°F				115°F			
		59	63	67	71	59	63	67	71	59	63	67	71	59	63	67	71	59	63	67	71	59	63	67	71
1350	MBh	33.93	34.67	37.04	39.59	33.14	33.86	36.18	38.67	32.35	33.06	35.32	37.75	31.56	32.25	34.46	36.83	29.98	30.64	32.73	34.99	27.77	28.38	30.32	32.41
	S/T	1.00	0.94	0.77	0.57	1.00	1.00	0.79	0.59	1.00	1.00	0.81	0.61	1.00	1.00	0.84	0.63	1.00	1.00	0.87	0.65	1.00	1.00	0.88	0.66
	Δ T	23	22	19	15	23	23	20	16	22	23	20	16	21	22	20	16	20	21	19	16	19	19	18	14
	kW	1.96	2.02	2.11	2.20	2.17	2.24	2.33	2.43	2.36	2.43	2.53	2.64	2.52	2.60	2.71	2.82	2.66	2.74	2.86	2.98	2.78	2.86	2.99	3.11
	Amps	10.6	10.8	11.2	11.6	11.4	11.7	12.1	12.5	12.4	12.7	13.1	13.6	13.3	13.6	14.1	14.6	14.1	14.5	15.0	15.5	15.0	15.3	15.9	16.5
	Hi PR	204	220	232	242	229	246	260	271	260	280	296	309	296	319	337	351	334	359	379	395	369	397	419	437
Lo PR	99	106	115	123	105	112	122	130	109	116	127	135	115	122	133	142	120	128	139	149	124	132	144	154	
80	MBh	32.8	33.5	35.8	38.3	32.0	32.7	35.0	37.4	31.3	31.9	34.1	36.5	30.5	31.2	33.3	35.6	29.0	29.6	31.6	33.8	26.8	27.4	29.3	31.3
	S/T	0.94	0.88	0.72	0.54	0.98	0.92	0.75	0.56	1.00	0.94	0.77	0.57	1.00	0.97	0.79	0.59	1.00	1.00	0.82	0.61	1.00	1.00	0.83	0.62
	Δ T	29	28	24	19	29	28	24	19	29	28	24	19	28	28	25	20	27	28	24	19	25	26	23	18
	kW	1.92	1.97	2.06	2.15	2.12	2.19	2.28	2.38	2.31	2.38	2.48	2.59	2.47	2.54	2.65	2.76	2.61	2.68	2.80	2.92	2.72	2.80	2.92	3.05
	Amps	10.4	10.6	11.0	11.4	11.2	11.5	11.9	12.3	12.2	12.5	12.9	13.4	13.0	13.4	13.8	14.3	13.9	14.2	14.7	15.2	14.7	15.1	15.6	16.2
	Hi PR	200	215	227	237	224	241	255	266	255	275	290	302	291	313	330	345	327	352	372	388	361	389	411	428
Lo PR	97	104	113	120	103	109	120	127	107	114	124	132	112	120	131	139	118	125	137	146	122	130	141	151	
1050	MBh	33.1	33.8	36.1	38.6	32.3	33.0	35.3	37.7	31.6	32.3	34.5	36.8	30.8	31.5	33.6	35.9	29.3	29.9	31.9	34.1	27.1	27.7	29.6	31.6
	S/T	0.96	0.90	0.73	0.55	1.00	0.94	0.76	0.57	1.00	0.96	0.78	0.58	1.00	0.99	0.81	0.60	1.00	1.00	0.84	0.62	1.00	1.00	0.84	0.63
	Δ T	28	27	23	19	28	27	24	19	28	27	24	19	27	27	24	19	26	26	23	19	24	24	22	17
	kW	1.92	1.98	2.07	2.16	2.13	2.19	2.29	2.39	2.32	2.38	2.49	2.59	2.48	2.55	2.66	2.77	2.61	2.69	2.81	2.93	2.73	2.81	2.93	3.06
	Amps	10.4	10.7	11.0	11.4	11.3	11.5	11.9	12.4	12.2	12.5	12.9	13.4	13.1	13.4	13.8	14.4	13.9	14.3	14.7	15.3	14.7	15.1	15.6	16.2
	Hi PR	201	216	228	238	225	242	256	267	256	275	291	303	292	314	331	346	328	353	373	389	362	390	412	430
Lo PR	98	104	113	121	103	110	120	128	107	114	125	133	113	120	131	139	118	126	137	146	122	130	142	151	

1350	MBh	34.52	35.19	36.85	39.32	33.72	34.37	36.00	38.40	32.92	33.55	35.14	37.49	32.11	32.73	34.28	36.57	30.51	31.10	32.57	34.75	28.26	28.81	30.17	32.19
	S/T	1.00	1.00	0.92	0.74	1.00	1.00	0.95	0.77	1.00	1.00	0.97	0.79	1.00	1.00	0.94	0.81	1.00	1.00	0.98	0.85	1.00	1.00	1.00	0.85
	Δ T	24	24	23	20	23	23	23	20	22	23	23	20	22	22	23	20	21	21	22	20	19	20	21	19
	kW	1.98	2.04	2.13	2.22	2.20	2.26	2.36	2.46	2.38	2.45	2.56	2.67	2.55	2.62	2.74	2.85	2.69	2.77	2.89	3.01	2.81	2.89	3.02	3.15
	Amps	10.7	10.9	11.3	11.7	11.5	11.8	12.2	12.7	12.5	12.8	13.3	13.8	13.4	13.7	14.2	14.7	14.3	14.6	15.1	15.7	15.1	15.5	16.0	16.6
	Hi PR	206	222	234	244	231	249	263	274	263	283	299	312	299	322	340	355	337	363	383	399	372	401	423	441
Lo PR	100	107	117	124	106	113	123	131	110	117	128	136	116	123	134	143	121	129	141	150	125	133	146	155	
85	MBh	33.4	34.0	35.6	38.0	32.6	33.2	34.8	37.1	31.8	32.4	34.0	36.2	31.0	31.6	33.1	35.3	29.5	30.0	31.5	33.6	27.3	27.8	29.1	31.1
	S/T	0.99	0.95	0.86	0.70	1.00	0.99	0.89	0.72	1.00	1.00	0.92	0.74	1.00	1.00	0.94	0.77	1.00	1.00	0.98	0.80	1.00	1.00	0.99	0.80
	Δ T	31	30	29	25	30	31	29	25	30	30	29	25	29	29	29	25	27	28	29	25	25	26	27	23
	kW	1.94	2.00	2.08	2.18	2.15	2.21	2.31	2.41	2.33	2.40	2.50	2.61	2.50	2.57	2.68	2.79	2.63	2.71	2.83	2.95	2.75	2.83	2.95	3.08
	Amps	10.5	10.7	11.1	11.5	11.3	11.6	12.0	12.4	12.3	12.6	13.0	13.5	13.2	13.5	13.9	14.5	14.0	14.3	14.8	15.4	14.8	15.2	15.7	16.3
	Hi PR	202	217	230	239	227	244	258	269	258	277	293	305	294	316	334	348	330	355	375	391	365	393	415	432
Lo PR	98	105	114	122	104	111	121	129	108	115	125	134	113	121	132	140	119	127	138	147	123	131	143	152	
1050	MBh	33.7	34.3	36.0	38.4	32.9	33.5	35.1	37.5	32.1	32.7	34.3	36.6	31.3	31.9	33.5	35.7	29.8	30.3	31.8	33.9	27.6	28.1	29.4	31.4
	S/T	1.00	0.97	0.88	0.71	1.00	1.00	0.91	0.74	1.00	1.00	0.93	0.76	1.00	1.00	0.96	0.78	1.00	1.00	0.98	0.81	1.00	1.00	1.00	0.82
	Δ T	29	29	28	24	29	29	28	24	28	29	28	24	27	28	28	24	26	27	28	24	24	25	26	22
	kW	1.95	2.00	2.09	2.18	2.16	2.22	2.32	2.42	2.34	2.41	2.51	2.62	2.50	2.58	2.69	2.80	2.64	2.72	2.84	2.96	2.76	2.84	2.96	3.09
	Amps	10.5	10.8	11.1	11.5	11.4	11.6	12.0	12.5	12.3	12.6	13.1	13.6	13.2	13.5	14.0	14.5	14.0	14.4	14.9	15.4	14.9	15.2	15.8	16.4
	Hi PR	203	218	230	240	227	245	258	269	259	278	294	306	294	317	335	349	331	356	376	393	366	394	416	434
Lo PR	99	105	115	122	104	111	121	129	108	115	126	134	114	121	132	141	119	127	139	148	123	131	143	153	

IDB: Entering Indoor Dry Bulb Temperature
 High and low pressures are measured at the liquid and suction service valves.
 Shaded area reflects AHRI conditions
 Amps = outdoor unit amps (comp.+fan)
 kW = Total system power

EXPANDED COOLING DATA — GSX130361E* / CA*F3636*6D*

IDB	AIRFLOW	OUTDOOR AMBIENT TEMPERATURE																								
		65				75				85				95				105				115				
		59	63	67	71	59	63	67	71	59	63	67	71	59	63	67	71	59	63	67	71	59	63	67	71	
70	1350	MBh	32.9	34.1	37.4	-	32.2	33.3	36.5	-	31.4	32.5	35.7	-	30.6	31.7	34.8	-	29.1	30.2	33.0	-	27.0	27.9	30.6	-
		S/T	0.77	0.65	0.45	-	0.80	0.67	0.46	-	0.82	0.69	0.48	-	0.85	0.71	0.49	-	0.88	0.74	0.51	-	0.89	0.74	0.51	-
		Δ T	17	15	11	-	18	15	12	-	18	15	12	-	18	15	12	-	17	15	11	-	16	14	11	-
		kW	2.44	2.49	2.55	-	2.61	2.65	2.73	-	2.75	2.80	2.88	-	2.88	2.94	3.02	-	2.99	3.05	3.14	-	3.08	3.14	3.24	-
		/anos	9.7	9.9	10.0	-	10.1	10.3	10.5	-	10.6	10.8	11.0	-	11.0	11.2	11.4	-	11.4	11.6	11.8	-	11.8	12.0	12.2	-
	1200	Hi PR	183	197	208	-	205	221	234	-	234	252	266	-	266	286	302	-	299	322	340	-	331	356	376	-
		Lo PR	95	101	110	-	100	107	117	-	104	111	121	-	110	117	127	-	115	122	134	-	119	126	138	-
		MBh	32.0	33.1	36.3	-	31.2	32.4	35.5	-	30.5	31.6	34.6	-	29.7	30.8	33.8	-	28.2	29.3	32.1	-	26.2	27.1	29.7	-
		S/T	0.74	0.62	0.43	-	0.76	0.64	0.44	-	0.78	0.65	0.45	-	0.81	0.68	0.47	-	0.84	0.70	0.49	-	0.85	0.71	0.49	-
		Δ T	18	16	12	-	18	16	12	-	18	16	12	-	18	16	12	-	18	16	12	-	17	15	11	-
1050	kW	2.42	2.47	2.54	-	2.59	2.64	2.71	-	2.73	2.78	2.86	-	2.86	2.91	3.00	-	2.96	3.02	3.11	-	3.06	3.12	3.21	-	
	/anos	9.7	9.8	10.0	-	10.1	10.2	10.4	-	10.6	10.7	10.9	-	11.0	11.1	11.3	-	11.4	11.5	11.8	-	11.8	11.9	12.2	-	
	Hi PR	181	195	206	-	203	219	231	-	231	249	263	-	264	284	299	-	296	319	337	-	328	353	372	-	
	Lo PR	94	100	109	-	99	106	116	-	103	110	120	-	109	116	126	-	114	121	132	-	118	125	137	-	
	MBh	29.5	30.6	33.5	-	28.8	29.9	32.7	-	28.1	29.2	31.9	-	27.4	28.4	31.2	-	26.1	27.0	29.6	-	24.2	25.0	27.4	-	
75	1350	S/T	0.71	0.59	0.41	-	0.74	0.62	0.43	-	0.76	0.63	0.44	-	0.78	0.65	0.45	-	0.81	0.68	0.47	-	0.82	0.68	0.47	-
		Δ T	18	16	12	-	19	16	12	-	19	16	12	-	19	16	12	-	18	16	12	-	17	15	11	-
		kW	2.37	2.42	2.48	-	2.53	2.58	2.65	-	2.67	2.72	2.80	-	2.79	2.85	2.93	-	2.90	2.96	3.04	-	2.99	3.05	3.14	-
		/anos	9.6	9.7	9.8	-	10.0	10.1	10.3	-	10.4	10.5	10.7	-	10.8	10.9	11.1	-	11.2	11.3	11.6	-	11.6	11.7	12.0	-
		Hi PR	176	189	200	-	197	212	224	-	224	242	255	-	256	275	291	-	288	309	327	-	318	342	361	-
	1200	Lo PR	91	97	106	-	96	103	112	-	100	107	116	-	105	112	122	-	110	117	128	-	114	121	133	-
		MBh	33.5	34.5	37.3	40.0	32.7	33.7	36.4	39.1	31.9	32.9	35.6	38.2	31.1	32.1	34.7	37.3	29.6	30.5	33.0	35.4	27.4	28.2	30.5	32.8
		S/T	0.88	0.79	0.60	0.38	0.91	0.81	0.62	0.40	0.93	0.84	0.63	0.41	0.96	0.86	0.65	0.42	1.00	0.90	0.68	0.44	1.00	0.90	0.68	0.44
		Δ T	20	18	15	10	20	19	15	11	20	19	15	11	20	19	15	11	20	19	15	11	19	17	14	10
		kW	2.46	2.50	2.57	2.65	2.62	2.67	2.75	2.83	2.77	2.82	2.91	2.99	2.90	2.96	3.04	3.14	3.01	3.07	3.16	3.26	3.10	3.17	3.26	3.36
1050	/anos	9.8	9.9	10.1	10.3	10.2	10.3	10.5	10.7	10.7	10.8	11.0	11.3	11.1	11.2	11.4	11.7	11.5	11.7	11.9	12.2	11.9	12.1	12.3	12.6	
	Hi PR	185	199	210	219	208	223	236	246	236	254	268	280	269	289	306	319	303	326	344	359	334	360	380	396	
	Lo PR	96	102	112	119	101	108	118	126	105	112	123	130	111	118	129	137	116	124	135	144	120	128	139	149	
	MBh	32.5	33.5	36.2	38.9	31.8	32.7	35.4	38.0	31.0	31.9	34.5	37.1	30.2	31.1	33.7	36.2	28.7	29.6	32.0	34.4	26.6	27.4	29.7	31.8	
	S/T	0.84	0.75	0.57	0.37	0.87	0.78	0.59	0.38	0.89	0.80	0.60	0.39	0.92	0.82	0.62	0.40	0.95	0.85	0.65	0.42	0.96	0.86	0.65	0.42	
70	1350	Δ T	21	19	16	11	21	19	16	11	21	19	16	11	21	20	16	11	21	19	16	11	20	18	15	10
		kW	2.44	2.49	2.56	2.63	2.61	2.66	2.73	2.81	2.75	2.80	2.89	2.97	2.88	2.94	3.02	3.11	2.99	3.05	3.14	3.23	3.08	3.14	3.24	3.34
		/anos	9.7	9.9	10.0	10.2	10.1	10.3	10.5	10.7	10.6	10.8	11.0	11.2	11.0	11.2	11.4	11.6	11.4	11.6	11.8	12.1	11.8	12.0	12.2	12.5
		Hi PR	183	197	208	217	206	221	234	244	234	252	266	277	266	287	303	316	300	322	340	355	331	356	376	392
		Lo PR	95	101	110	118	100	107	117	124	104	111	121	129	110	117	127	136	115	122	134	142	119	127	138	147
	1200	MBh	30.0	30.9	33.4	35.9	29.3	30.2	32.7	35.1	28.6	29.5	31.9	34.2	27.9	28.7	31.1	33.4	26.5	27.3	29.6	31.7	24.6	25.3	27.4	29.4
		S/T	0.81	0.72	0.55	0.35	0.84	0.75	0.57	0.36	0.86	0.77	0.58	0.37	0.89	0.79	0.60	0.39	0.92	0.82	0.62	0.40	0.93	0.83	0.63	0.40
		Δ T	21	20	16	11	21	20	16	11	22	20	16	11	22	20	16	11	21	20	16	11	20	18	15	10
		kW	2.39	2.43	2.50	2.57	2.55	2.60	2.67	2.75	2.69	2.74	2.82	2.90	2.81	2.87	2.95	3.04	2.92	2.98	3.07	3.16	3.01	3.07	3.16	3.26
		/anos	9.6	9.7	9.9	10.1	10.0	10.1	10.3	10.5	10.5	10.6	10.8	11.0	10.8	11.0	11.2	11.4	11.2	11.4	11.6	11.9	11.6	11.8	12.0	12.3
1050	Hi PR	178	191	202	211	199	215	227	236	227	244	258	269	258	278	293	306	291	313	330	344	321	345	365	380	
	Lo PR	92	98	107	114	97	104	113	121	101	108	118	125	106	113	124	132	112	119	130	138	115	123	134	143	

IDB: Entering Indoor Dry Bulb Temperature
 High and low pressures are measured at the liquid and suction service valves.
 Shaded area reflects ACCA (TVA) conditions
 kW = Total system power
 Design Subcooling ± 3 °F @ the liquid service valve, ARI 95 test conditions
 Amps = outdoor unit amps (comp.+fan)

EXPANDED COOLING DATA — GSX130361E* / CA*F3636*6D* (CONT.)

IDB	AIRFLOW	OUTDOOR AMBIENT TEMPERATURE																								
		65°F				75°F				85°F				95°F				105°F				115°F				
		59	63	67	71	59	63	67	71	59	63	67	71	59	63	67	71	59	63	67	71	59	63	67	71	
80	1350	MBh	34.1	34.8	37.2	39.8	33.3	34.0	36.3	38.8	32.5	33.2	35.5	37.9	31.7	32.4	34.6	37.0	30.1	30.8	32.9	35.1	27.9	28.5	30.5	32.6
		S/T	0.96	0.90	0.74	0.6	1.00	0.94	0.76	0.57	1.00	0.96	0.78	0.6	1.00	1.00	0.81	0.60	1.00	1.00	0.84	0.6	1.00	1.00	0.84	0.63
	Δ T	22	21	19	15	23	22	19	15	22	22	19	15	22	22	19	15	22	21	21	19	15	19	19	18	14
	kW	2.48	2.52	2.59	2.7	2.64	2.69	2.77	2.85	2.79	2.85	2.93	3.0	2.92	2.98	3.07	3.16	3.13	3.03	3.09	3.19	3.3	3.13	3.19	3.29	3.39
	/anos	9.8	10.0	10.1	10.3	10.2	10.4	10.6	10.8	10.7	10.9	11.1	11.3	11.1	11.3	11.5	11.8	11.5	11.5	11.7	12.0	12.2	12.0	12.1	12.4	12.7
	Hi PR	187	201	212	221.5	210	226	238	249	238	257	271	282.7	272	292	309	322	306	329	347	362.2	338	363	384	400	
	Lo PR	97	103	113	120.0	103	109	119	127	107	113	124	131.8	112	119	130	138	117	125	136	145.1	121	129	141	150	
	MBh	33.1	33.8	36.1	38.6	32.3	33.0	35.3	37.7	31.5	32.2	34.4	36.8	30.8	31.4	33.6	35.9	29.2	29.9	31.9	34.1	27.1	27.7	29.6	31.6	
	S/T	0.92	0.86	0.70	0.5	0.95	0.89	0.73	0.54	0.98	0.92	0.75	0.6	1.00	0.95	0.77	0.58	1.00	0.98	0.80	0.6	1.00	0.99	0.81	0.60	
	Δ T	23	22	19	16	24	23	20	16	24	23	20	16	24	23	20	16	22	22	20	16	21	21	18	15	
kW	2.46	2.50	2.57	2.6	2.62	2.67	2.75	2.83	2.77	2.82	2.91	3.0	2.90	2.96	3.05	3.14	3.01	3.07	3.16	3.3	3.10	3.17	3.26	3.36		
/anos	9.8	9.9	10.1	10.3	10.2	10.3	10.5	10.7	10.7	10.8	11.0	11.3	11.1	11.2	11.5	11.7	11.5	11.5	11.7	11.9	12.2	11.9	12.1	12.3	12.6	
Hi PR	185	199	210	219.3	208	223	236	246	236	254	268	279.9	269	289	306	319	303	326	344	358.6	334	360	380	396		
Lo PR	96	102	112	118.8	102	108	118	126	105	112	123	130.5	111	118	129	137	116	124	135	143.6	120	128	140	149		
MBh	30.5	31.2	33.3	35.6	29.8	30.5	32.6	34.8	29.1	29.8	31.8	34.0	28.4	29.0	31.0	33.2	27.0	27.6	29.5	31.5	25.0	25.5	27.3	29.2		
S/T	0.89	0.83	0.68	0.5	0.92	0.86	0.70	0.52	0.94	0.88	0.72	0.5	0.97	0.91	0.74	0.55	1.01	0.95	0.77	0.6	1.02	0.95	0.78	0.58		
Δ T	24	23	20	16	24	23	20	16	24	23	20	16	24	23	20	16	24	23	20	16	22	21	19	15		
kW	2.41	2.45	2.52	2.6	2.57	2.62	2.69	2.77	2.71	2.76	2.84	2.9	2.84	2.89	2.98	3.07	2.94	3.00	3.09	3.2	3.03	3.10	3.19	3.29		
/anos	9.7	9.8	9.9	10.1	10.0	10.2	10.4	10.6	10.5	10.6	10.8	11.1	10.9	11.1	11.3	11.5	11.3	11.5	11.7	11.9	11.7	11.9	12.1	12.4		
Hi PR	179	193	204	212.7	201	217	229	239	229	246	260	271.5	261	281	296	309	293	316	333	347.8	324	349	368	384		
Lo PR	93	99	108	115.3	98	105	114	122	102	109	119	126.6	107	114	125	133	113	120	131	139.3	117	124	135	144		

85	1350	MBh	34.7	35.3	37.0	39.5	33.9	34.5	36.2	38.6	33.1	33.7	35.3	37.7	32.3	32.9	34.4	36.7	30.6	31.2	32.7	34.9	28.4	28.9	30.3	32.3	
		S/T	1.00	0.98	0.88	0.71	1.00	1.00	0.91	0.74	1.00	0.99	0.89	0.72	1.00	1.00	0.92	0.75	1.00	1.00	0.96	0.78	1.00	1.00	0.96	0.78	
	Δ T	24	23	22	19	23	24	22	19	23	23	22	19	22	22	23	20	21	21	21	22	20	19	19	20	21	18
	kW	2.49	2.54	2.61	2.68	2.66	2.71	2.79	2.87	2.81	2.87	2.95	3.04	2.94	2.94	3.00	3.09	3.19	3.06	3.12	3.21	3.31	3.15	3.22	3.31	3.42	
	/anos	9.9	10.0	10.2	10.4	10.3	10.4	10.6	10.8	10.8	10.9	11.1	11.4	11.2	11.4	11.6	11.8	11.6	11.6	11.8	12.0	12.3	12.0	12.2	12.5	12.7	
	Hi PR	189	203	214	224	212	228	241	251	241	259	274	285	274	295	312	325	309	332	351	366	341	367	387	404		
	Lo PR	98	104	114	121	104	110	120	128	108	114	125	133	113	120	131	140	118	126	138	147	123	130	142	152		
	MBh	33.7	34.3	35.9	38.3	32.9	33.5	35.1	37.5	32.1	32.7	34.3	36.6	31.3	31.9	33.4	35.7	29.7	30.3	31.8	33.9	27.6	28.1	29.4	31.4		
	S/T	0.96	0.93	0.84	0.68	1.00	0.96	0.87	0.71	1.00	0.99	0.89	0.72	1.00	1.00	0.92	0.75	1.00	1.00	0.96	0.78	1.00	1.00	0.96	0.78		
	Δ T	25	24	23	20	25	25	23	20	25	25	23	20	24	24	24	20	24	23	23	20	21	22	22	21	19	
kW	2.48	2.52	2.59	2.67	2.64	2.69	2.77	2.85	2.79	2.85	2.93	3.02	2.92	2.92	2.98	3.07	3.16	3.03	3.09	3.19	3.28	3.13	3.19	3.29	3.39		
/anos	9.8	10.0	10.1	10.3	10.2	10.4	10.6	10.8	10.7	10.9	11.1	11.3	11.1	11.3	11.5	11.8	11.5	11.5	11.7	12.0	12.2	12.0	12.1	12.4	12.7		
Hi PR	187	201	212	221	210	226	238	249	238	257	271	283	272	292	309	322	306	329	347	362	338	363	384	400			
Lo PR	97	103	113	120	103	109	119	127	107	113	124	132	112	119	130	138	117	125	136	145	121	129	141	150			
MBh	31.1	31.7	33.2	35.4	30.3	30.9	32.4	34.6	29.6	30.2	31.6	33.7	28.9	29.5	30.9	32.9	27.5	28.0	29.3	31.3	25.4	25.9	27.2	29.0			
S/T	0.93	0.90	0.81	0.66	0.96	0.93	0.84	0.68	0.99	0.95	0.86	0.70	1.00	0.98	0.89	0.72	1.00	1.00	0.92	0.75	1.00	1.00	0.93	0.75			
Δ T	25	25	24	20	26	25	24	21	26	25	24	21	25	25	24	21	24	25	24	20	22	23	22	19			
kW	2.42	2.47	2.54	2.61	2.59	2.64	2.71	2.79	2.73	2.78	2.86	2.95	2.86	2.91	3.00	3.09	2.96	3.02	3.11	3.21	3.06	3.12	3.21	3.31			
/anos	9.7	9.8	10.0	10.2	10.1	10.2	10.4	10.6	10.6	10.7	10.9	11.1	11.0	11.1	11.3	11.6	11.4	11.5	11.7	12.0	11.8	11.9	12.2	12.5			
Hi PR	181	195	206	215	203	219	231	241	231	249	263	274	263	284	299	312	296	319	337	351	327	352	372	388			
Lo PR	94	100	109	116	99	106	115	123	103	110	120	128	109	115	126	134	114	121	132	141	118	125	137	146			

IDB: Entering Indoor Dry Bulb Temperature
 High and low pressures are measured at the liquid and suction service valves.
 Shaded area reflects AHRI conditions
 kW = Total system power
 Design Subcooling 9 ± 3 °F @ the liquid service valve, ARI 95 test conditions
 Amps = outdoor unit amps (comp.+fan)

EXPANDED COOLING DATA — GSX130421B* / CA*F3642*6B*

IDB	AIRFLOW	OUTDOOR AMBIENT TEMPERATURE												115°F																	
		65°F						75°F						85°F						95°F						105°F					
		59	63	67	71	75	79	59	63	67	71	75	79	59	63	67	71	75	79	59	63	67	71	75	79	59	63	67	71	75	79
70	1225	MBh	36.0	37.3	40.9	-	35.2	36.4	39.9	-	34.3	35.6	39.0	-	33.5	34.7	38.0	-	31.8	33.0	36.1	-	29.5	30.5	33.5	-					
		S/T	0.69	0.57	0.40	-	0.71	0.59	0.41	-	0.73	0.61	0.42	-	0.75	0.63	0.44	-	0.78	0.65	0.45	-	0.79	0.66	0.46	-					
		Δ T	19	16	12	-	19	16	12	-	19	16	12	-	19	16	12	-	19	16	12	-	17	15	11	-					
	1400	kW	2.78	2.84	2.92	-	2.98	3.04	3.13	-	3.15	3.21	3.31	-	3.30	3.37	3.47	-	3.43	3.50	3.61	-	3.54	3.61	3.73	-					
		Amps	10.7	10.9	11.2	-	11.5	11.8	12.1	-	12.5	12.7	13.2	-	13.3	13.6	14.0	-	14.1	14.5	14.9	-	14.9	15.3	15.8	-					
		Hi PR	209	225	238	-	235	253	267	-	267	288	304	-	304	328	346	-	343	369	389	-	378	407	430	-					
	1575	Lo PR	101	107	117	-	106	113	124	-	111	118	129	-	116	124	135	-	122	130	141	-	126	134	146	-					
		MBh	39.0	40.4	44.3	-	38.1	39.5	43.3	-	37.2	38.5	42.2	-	36.3	37.6	41.2	-	34.5	35.7	39.1	-	31.9	33.1	36.3	-					
		S/T	0.71	0.59	0.41	-	0.74	0.62	0.43	-	0.76	0.63	0.44	-	0.78	0.65	0.45	-	0.81	0.68	0.47	-	0.82	0.68	0.47	-					
	75	1225	Δ T	18	16	12	-	18	16	12	-	18	16	12	-	19	16	12	-	18	16	12	-	17	15	11	-				
			kW	2.84	2.90	2.98	-	3.05	3.11	3.20	-	3.22	3.29	3.39	-	3.38	3.45	3.55	-	3.51	3.58	3.70	-	3.63	3.70	3.82	-				
			Amps	10.9	11.2	11.6	-	11.8	12.1	12.5	-	12.8	13.1	13.5	-	13.7	14.0	14.4	-	14.5	14.9	15.3	-	15.4	15.7	16.2	-				
1400		Hi PR	216	232	245	-	242	261	275	-	276	297	313	-	314	338	357	-	353	380	401	-	390	420	443	-					
		Lo PR	104	111	121	-	110	117	127	-	114	121	132	-	120	127	139	-	126	134	146	-	130	138	151	-					
		MBh	40.2	41.6	45.6	-	39.2	40.7	44.6	-	38.3	39.7	43.5	-	37.4	38.7	42.4	-	35.5	36.8	40.3	-	32.9	34.1	37.3	-					
1575		S/T	0.75	0.62	0.43	-	0.77	0.65	0.45	-	0.79	0.66	0.46	-	0.82	0.68	0.47	-	0.85	0.71	0.49	-	0.86	0.72	0.50	-					
		Δ T	18	15	11	-	18	15	12	-	18	15	12	-	18	15	12	-	18	15	12	-	16	14	11	-					
		kW	2.87	2.92	3.01	-	3.07	3.13	3.22	-	3.25	3.31	3.41	-	3.41	3.48	3.58	-	3.54	3.61	3.73	-	3.66	3.73	3.85	-					
75		1225	Amps	11.0	11.3	11.7	-	11.9	12.2	12.6	-	12.9	13.2	13.6	-	13.8	14.1	14.6	-	14.6	15.0	15.5	-	15.5	15.9	16.4	-				
			Hi PR	212	228	240	251	237	256	270	281	270	291	307	320	308	331	350	365	346	372	393	410	382	411	434	453				
			Lo PR	102	108	118	126	108	114	125	133	112	119	130	138	117	125	136	145	123	131	143	152	127	135	148	157				
	1400	MBh	39.7	40.8	44.2	47.4	38.7	39.9	43.2	46.3	37.8	38.9	42.2	45.2	36.9	38.0	41.1	44.1	35.1	36.1	39.1	41.9	32.5	33.4	36.2	38.8					
		S/T	0.81	0.72	0.55	0.35	0.84	0.75	0.57	0.37	0.86	0.77	0.58	0.37	0.89	0.79	0.60	0.39	0.92	0.82	0.62	0.40	0.93	0.83	0.63	0.40					
		Δ T	21	19	16	11	21	20	16	11	21	20	16	11	22	20	16	11	21	20	16	11	20	18	15	10					
	1575	kW	2.87	2.92	3.01	3.10	3.07	3.13	3.22	3.32	3.25	3.31	3.41	3.52	3.41	3.48	3.58	3.70	3.54	3.61	3.73	3.84	3.66	3.73	3.85	3.97					
		Amps	11.0	11.3	11.7	12.1	11.9	12.2	12.6	13.0	12.9	13.2	13.6	14.1	13.8	14.1	14.6	15.1	14.6	15.0	15.5	16.1	15.5	15.9	16.4	17.0					
		Hi PR	218	235	248	259	245	263	278	290	278	300	316	330	317	341	360	376	357	384	405	423	394	424	448	467					
	1575	Lo PR	105	112	122	130	111	118	129	137	115	123	134	143	121	129	141	150	127	135	147	157	131	140	152	162					
		MBh	40.9	42.1	45.5	48.9	39.9	41.1	44.5	47.7	39.0	40.1	43.4	46.6	38.0	39.1	42.4	45.5	36.1	37.2	40.2	43.2	33.4	34.4	37.3	40.0					
		S/T	0.85	0.76	0.57	0.37	0.88	0.79	0.60	0.38	0.90	0.81	0.61	0.39	0.93	0.83	0.63	0.41	0.97	0.86	0.65	0.42	0.97	0.87	0.66	0.42					
1575	Δ T	20	19	15	11	20	19	15	11	21	19	15	11	21	19	15	11	20	19	15	11	19	18	14	10						
	kW	2.89	2.94	3.03	3.12	3.09	3.15	3.25	3.35	3.27	3.34	3.44	3.55	3.43	3.50	3.61	3.72	3.57	3.64	3.76	3.87	3.68	3.76	3.88	4.00						
	Amps	11.1	11.4	11.8	12.2	12.0	12.3	12.7	13.2	13.0	13.3	13.8	14.3	13.9	14.2	14.7	15.2	14.8	15.1	15.6	16.2	15.6	16.0	16.5	17.2						
1575	Hi PR	220	237	250	261	247	266	281	293	281	303	320	333	320	345	364	380	360	388	409	427	398	428	452	472						
	Lo PR	106	113	123	131	112	119	130	139	116	124	135	144	122	130	142	151	128	136	149	158	133	141	154	164						

IDB: Entering Indoor Dry Bulb Temperature
 High and low pressures are measured at the liquid and suction service valves.
 Shaded area reflects ACCA (TVA) conditions
 Amps = outdoor unit amps (comp.+fan)
 kW = Total system power

EXPANDED COOLING DATA — GSX130421B* / CA*F3642*6B* (CONT.)

IDB	AIRFLOW	OUTDOOR AMBIENT TEMPERATURE																							
		65°F				75°F				85°F				95°F				105°F				115°F			
		59	63	67	71	59	63	67	71	59	63	67	71	59	63	67	71	59	63	67	71	59	63	67	71
80	MBh	37.3	38.1	40.7	43.5	36.4	37.2	39.7	42.5	35.5	36.3	38.8	41.5	34.7	35.4	37.8	40.5	32.9	33.6	36.0	38.4	30.5	31.2	33.3	35.6
	S/T	0.86	0.80	0.65	0.49	0.89	0.83	0.68	0.51	0.91	0.85	0.69	0.52	0.94	0.88	0.72	0.54	0.97	0.91	0.74	0.56	0.98	0.92	0.75	0.56
	Δ T	24	23	20	16	24	23	20	16	24	23	20	16	24	23	20	16	24	23	20	16	22	22	19	15
	kW	2.82	2.88	2.96	3.05	3.02	3.08	3.17	3.27	3.20	3.26	3.36	3.46	3.35	3.42	3.53	3.64	3.48	3.56	3.67	3.78	3.60	3.67	3.79	3.91
	Amps	10.8	11.1	11.4	11.9	11.7	12.0	12.4	12.8	12.7	13.0	13.4	13.9	13.5	13.8	14.3	14.8	14.4	14.7	15.2	15.8	15.2	15.6	16.1	16.7
	Hi PR	214	230	243	253	240	258	273	284	273	294	310	323	311	334	353	368	350	376	397	414	386	416	439	458
	Lo PR	103	109	119	127	109	116	126	134	113	120	131	140	119	126	138	147	124	132	144	154	129	137	149	159
	MBh	40.4	41.3	44.1	47.1	39.4	40.3	43.1	46.0	38.5	39.3	42.0	44.9	37.6	38.4	41.0	43.8	35.7	36.5	39.0	41.6	33.0	33.8	36.1	38.6
	S/T	0.89	0.83	0.68	0.51	0.92	0.86	0.70	0.52	0.94	0.88	0.72	0.54	0.97	0.91	0.74	0.56	1.00	0.95	0.77	0.58	1.00	0.96	0.78	0.58
	Δ T	24	23	20	16	24	23	20	16	24	23	20	16	24	23	20	16	23	23	20	16	22	21	18	15
kW	2.89	2.94	3.03	3.12	3.09	3.15	3.25	3.35	3.27	3.34	3.44	3.55	3.43	3.50	3.61	3.72	3.57	3.64	3.76	3.88	3.68	3.76	3.88	4.01	
Amps	11.1	11.4	11.8	12.2	12.0	12.3	12.7	13.2	13.0	13.3	13.8	14.3	13.9	14.2	14.7	15.2	14.8	15.1	15.6	16.2	15.6	16.0	16.5	17.2	
Hi PR	220	237	250	261	247	266	281	293	281	303	320	333	320	345	364	380	360	388	410	427	398	428	452	472	
Lo PR	106	113	123	131	112	119	130	139	116	124	135	144	122	130	142	151	128	136	149	158	133	141	154	164	
MBh	41.6	42.5	45.4	48.5	40.6	41.5	44.3	47.4	39.6	40.5	43.3	46.3	38.7	39.5	42.2	45.1	36.7	37.6	40.1	42.9	34.0	34.8	37.2	39.7	
S/T	0.93	0.87	0.71	0.53	0.96	0.90	0.74	0.55	1.00	0.93	0.75	0.56	1.00	0.96	0.78	0.58	1.00	1.00	0.81	0.60	1.00	1.00	0.82	0.61	
Δ T	23	22	19	15	23	22	19	15	23	22	19	15	23	22	19	15	21	21	18	15	20	20	18	14	
kW	2.91	2.96	3.05	3.14	3.11	3.18	3.27	3.37	3.30	3.36	3.47	3.58	3.46	3.53	3.64	3.75	3.60	3.67	3.79	3.91	3.71	3.79	3.91	4.04	
Amps	11.2	11.5	11.9	12.3	12.1	12.4	12.8	13.3	13.1	13.5	13.9	14.4	14.0	14.4	14.8	15.4	14.9	15.3	15.8	16.4	15.8	16.2	16.7	17.3	
Hi PR	223	240	253	264	250	269	284	296	284	306	323	337	324	348	368	383	364	392	414	431	402	433	457	477	
Lo PR	107	114	124	132	113	120	131	140	118	125	137	145	123	131	143	153	129	138	150	160	134	142	155	166	

1225	MBh	37.9	38.6	40.5	43.2	37.0	37.7	39.5	42.2	36.2	36.9	38.6	41.2	35.3	36.0	37.7	40.2	33.5	34.2	35.8	38.2	31.0	31.6	33.1	35.4
	S/T	0.90	0.87	0.78	0.63	0.93	0.90	0.81	0.66	0.95	0.92	0.83	0.67	0.98	0.95	0.86	0.70	1.00	0.99	0.89	0.72	1.00	0.99	0.90	0.73
	Δ T	26	25	24	21	26	25	24	21	26	25	24	21	26	26	24	21	25	25	24	21	23	24	22	19
	kW	2.84	2.90	2.98	3.07	3.04	3.11	3.20	3.29	3.22	3.29	3.39	3.49	3.38	3.45	3.55	3.66	3.51	3.58	3.70	3.81	3.63	3.70	3.82	3.94
	Amps	10.9	11.2	11.6	12.0	11.8	12.1	12.5	12.9	12.8	13.1	13.5	14.0	13.6	14.0	14.4	15.0	14.5	14.9	15.3	15.9	15.4	15.7	16.2	16.8
	Hi PR	216	232	245	256	242	261	275	287	276	297	313	327	314	338	357	372	353	380	401	418	390	420	443	462
	Lo PR	104	110	121	128	110	117	127	136	114	121	132	141	120	127	139	148	126	134	146	155	130	138	151	161
	MBh	41.1	41.9	43.9	46.8	40.1	40.9	42.8	45.7	39.2	39.9	41.8	44.6	38.2	39.0	40.8	43.5	36.3	37.0	38.8	41.3	33.6	34.3	35.9	38.3
	S/T	0.93	0.90	0.81	0.66	0.96	0.93	0.84	0.68	0.99	0.95	0.86	0.70	1.00	0.98	0.89	0.72	1.00	1.00	0.92	0.75	1.00	1.00	0.93	0.75
	Δ T	25	25	23	20	25	25	24	20	25	25	24	20	25	25	24	21	24	24	23	20	22	23	22	19
kW	2.91	2.96	3.05	3.14	3.11	3.18	3.27	3.37	3.30	3.36	3.47	3.58	3.46	3.53	3.64	3.75	3.60	3.67	3.79	3.91	3.71	3.79	3.91	4.04	
Amps	11.2	11.5	11.9	12.3	12.1	12.4	12.8	13.3	13.1	13.5	13.9	14.4	14.0	14.4	14.8	15.4	14.9	15.3	15.8	16.4	15.8	16.2	16.7	17.3	
Hi PR	223	240	253	264	250	269	284	296	284	306	323	337	324	348	368	383	364	392	414	431	402	433	457	477	
Lo PR	107	114	124	132	113	120	131	140	118	125	137	145	123	131	143	153	129	138	150	160	134	142	155	166	
MBh	42.3	43.1	45.2	48.2	41.3	42.1	44.1	47.1	40.3	41.1	43.1	45.9	39.4	40.1	42.0	44.8	37.4	38.1	39.9	42.6	34.6	35.3	37.0	39.4	
S/T	0.98	0.94	0.85	0.69	1.00	0.98	0.88	0.71	1.00	1.00	0.90	0.73	1.00	1.00	0.93	0.76	1.00	1.00	0.97	0.78	1.00	1.00	0.98	0.79	
Δ T	24	24	22	19	24	24	23	20	24	24	23	20	23	23	23	20	22	22	23	20	20	21	21	18	
kW	2.93	2.99	3.07	3.17	3.14	3.20	3.30	3.40	3.32	3.39	3.49	3.60	3.49	3.56	3.67	3.78	3.62	3.70	3.82	3.94	3.74	3.82	3.94	4.07	
Amps	11.3	11.6	12.0	12.4	12.2	12.5	12.9	13.4	13.3	13.6	14.0	14.5	14.2	14.5	15.0	15.5	15.0	15.4	15.9	16.5	15.9	16.3	16.9	17.5	
Hi PR	225	242	255	266	252	271	287	299	287	309	326	340	327	352	371	387	368	396	418	436	406	437	462	481	
Lo PR	108	115	126	134	114	122	133	141	119	126	138	147	125	133	145	154	131	139	152	162	135	144	157	167	

IDB: Entering Indoor Dry Bulb Temperature
 High and low pressures are measured at the liquid and suction service valves.
 Shaded area reflects AHRI conditions
 Amps = outdoor unit amps (comp.+fan)
 kW = Total system power

EXPANDED COOLING DATA — GSX130481B* / CA*F4860*6B*

IDB	AIRFLOW	OUTDOOR AMBIENT TEMPERATURE												ENTERING INDOOR WET BULB TEMPERATURE											
		65°F				75°F				85°F				95°F				105°F				115°F			
		59	63	67	71	59	63	67	71	59	63	67	71	59	63	67	71	59	63	67	71	59	63	67	71
70	MBh	40.4	41.9	45.9	-	39.5	40.9	44.8	-	38.5	39.9	43.7	-	37.6	38.9	42.7	-	35.7	37.0	40.5	-	33.1	34.3	37.5	-
	S/T	0.71	0.59	0.41	-	0.73	0.61	0.42	-	0.75	0.63	0.44	-	0.78	0.65	0.45	-	0.81	0.67	0.47	-	0.81	0.68	0.47	-
	Δ T	19	16	12	-	19	16	12	-	19	16	13	-	19	17	13	-	19	16	12	-	18	15	12	-
	kW	3.17	3.23	3.32	-	3.39	3.46	3.56	-	3.59	3.66	3.77	-	3.77	3.84	3.96	-	3.91	4.00	4.12	-	4.04	4.13	4.26	-
	Amps	11.6	11.9	12.3	-	12.6	12.9	13.3	-	13.7	14.0	14.5	-	14.6	15.0	15.5	-	15.5	15.9	16.5	-	16.5	16.9	17.4	-
	Hi PR	215	231	244	-	241	259	274	-	274	295	311	-	312	336	354	-	351	377	399	-	388	417	440	-
Lo PR	104	111	121	-	110	117	128	-	115	122	133	-	120	128	140	-	126	134	146	-	130	139	151	-	
70	MBh	43.8	45.4	49.7	-	42.7	44.3	48.5	-	41.7	43.2	47.4	-	40.7	42.2	46.2	-	38.7	40.1	43.9	-	35.8	37.1	40.7	-
	S/T	0.73	0.61	0.43	-	0.76	0.64	0.44	-	0.78	0.65	0.45	-	0.81	0.67	0.47	-	0.84	0.70	0.48	-	0.84	0.70	0.49	-
	Δ T	18	16	12	-	19	16	12	-	19	16	12	-	19	16	12	-	19	16	12	-	17	15	11	-
	kW	3.24	3.30	3.40	-	3.47	3.54	3.65	-	3.67	3.75	3.87	-	3.86	3.94	4.06	-	4.01	4.09	4.22	-	4.14	4.23	4.36	-
	Amps	12.0	12.3	12.7	-	12.9	13.2	13.7	-	14.1	14.4	14.9	-	15.0	15.4	15.9	-	16.0	16.4	16.9	-	16.9	17.4	17.9	-
	Hi PR	221	238	251	-	248	267	282	-	282	304	321	-	321	346	365	-	362	389	411	-	400	430	454	-
Lo PR	108	114	125	-	114	121	132	-	118	126	137	-	124	132	144	-	130	138	151	-	134	143	156	-	
70	MBh	45.1	46.7	51.2	-	44.0	45.6	50.0	-	43.0	44.5	48.8	-	41.9	43.5	47.6	-	39.8	41.3	45.2	-	36.9	38.2	41.9	-
	S/T	0.77	0.64	0.45	-	0.80	0.67	0.46	-	0.82	0.68	0.47	-	0.85	0.71	0.49	-	0.88	0.73	0.51	-	0.88	0.74	0.51	-
	Δ T	18	15	12	-	18	16	12	-	18	16	12	-	18	16	12	-	18	15	12	-	17	14	11	-
	kW	3.26	3.33	3.42	-	3.50	3.57	3.67	-	3.70	3.78	3.90	-	3.89	3.97	4.09	-	4.04	4.13	4.26	-	4.18	4.26	4.40	-
	Amps	12.1	12.4	12.8	-	13.0	13.4	13.8	-	14.2	14.5	15.0	-	15.2	15.5	16.0	-	16.1	16.5	17.1	-	17.1	17.5	18.1	-
	Hi PR	223	240	254	-	251	270	285	-	285	307	324	-	325	349	369	-	365	393	415	-	404	434	459	-
Lo PR	109	116	126	-	115	122	133	-	119	127	139	-	125	133	146	-	131	140	152	-	136	144	158	-	

75	MBh	41.1	42.3	45.8	49.1	40.1	41.3	44.7	48.0	39.2	40.3	43.7	46.8	38.2	39.3	42.6	45.7	36.3	37.4	40.5	43.4	33.6	34.6	37.5	40.2
	S/T	0.81	0.72	0.55	0.35	0.83	0.75	0.56	0.36	0.86	0.77	0.58	0.37	0.88	0.79	0.60	0.38	0.92	0.82	0.62	0.40	0.92	0.83	0.63	0.40
	Δ T	22	20	16	11	22	20	17	11	22	20	17	11	22	20	16	11	22	20	16	11	20	19	15	11
	kW	3.19	3.25	3.35	3.45	3.42	3.49	3.59	3.70	3.62	3.69	3.80	3.92	3.79	3.87	3.99	4.12	3.95	4.03	4.15	4.29	4.08	4.16	4.29	4.43
	Amps	11.7	12.0	12.4	12.9	12.7	13.0	13.4	13.9	13.8	14.1	14.6	15.1	14.7	15.1	15.6	16.2	15.7	16.1	16.6	17.2	16.6	17.0	17.6	18.3
	Hi PR	217	233	246	257	243	262	276	288	277	298	314	328	315	339	358	373	354	381	403	420	391	421	445	464
Lo PR	105	112	122	130	111	118	129	138	116	123	134	143	122	129	141	150	127	136	148	158	132	140	153	163	
75	MBh	44.5	45.8	49.6	53.2	43.5	44.8	48.4	52.0	42.4	43.7	47.3	50.8	41.4	42.6	46.1	49.5	39.3	40.5	43.8	47.0	36.4	37.5	40.6	43.6
	S/T	0.84	0.75	0.57	0.36	0.87	0.77	0.59	0.38	0.89	0.79	0.60	0.39	0.92	0.82	0.62	0.40	0.95	0.85	0.64	0.41	0.96	0.86	0.65	0.42
	Δ T	21	20	16	11	22	20	16	11	22	20	16	11	22	20	16	11	21	20	16	11	20	18	15	10
	kW	3.26	3.33	3.42	3.53	3.50	3.57	3.68	3.79	3.70	3.78	3.90	4.02	3.89	3.97	4.09	4.22	4.04	4.13	4.26	4.39	4.18	4.26	4.40	4.54
	Amps	12.1	12.4	12.8	13.2	13.1	13.4	13.8	14.3	14.2	14.5	15.0	15.6	15.2	15.6	16.1	16.7	16.1	16.5	17.1	17.7	17.1	17.5	18.1	18.8
	Hi PR	223	240	254	265	251	270	285	297	285	307	324	338	325	349	369	385	365	393	415	433	404	434	459	478
Lo PR	109	116	126	134	115	122	133	142	119	127	139	148	125	133	146	155	131	140	153	162	136	145	158	168	
75	MBh	45.8	47.2	51.1	54.8	44.8	46.1	49.9	53.6	43.7	45.0	48.7	52.3	42.6	43.9	47.5	51.0	40.5	41.7	45.1	48.5	37.5	38.6	41.8	44.9
	S/T	0.88	0.78	0.59	0.38	0.91	0.81	0.61	0.40	0.93	0.83	0.63	0.41	0.96	0.86	0.65	0.42	1.00	0.89	0.67	0.43	1.00	0.90	0.68	0.44
	Δ T	21	19	15	11	21	19	16	11	21	19	16	11	21	19	16	11	21	19	16	11	19	18	15	10
	kW	3.29	3.35	3.45	3.55	3.52	3.59	3.70	3.82	3.73	3.81	3.93	4.05	3.92	4.00	4.12	4.26	4.07	4.16	4.29	4.43	4.21	4.30	4.44	4.58
	Amps	12.2	12.5	12.9	13.4	13.2	13.5	13.9	14.5	14.3	14.7	15.1	15.7	15.3	15.7	16.2	16.8	16.3	16.7	17.2	17.9	17.3	17.7	18.3	19.0
	Hi PR	226	243	256	267	253	272	288	300	288	310	327	341	328	353	373	389	369	397	419	437	408	439	463	483
Lo PR	110	117	127	136	116	123	135	143	120	128	140	149	127	135	147	157	133	141	154	164	137	146	159	170	

Amperes = outdoor unit amperes (comp. + fan)
kW = Total system power

Shaded area reflects ACCA (TVA) conditions

IDB: Entering Indoor Dry Bulb Temperature
High and low pressures are measured at the liquid and suction service valves.

EXPANDED COOLING DATA — GSX130481B* / CA*F4860*6B* (CONT.)

IDB	AIRFLOW	OUTDOOR AMBIENT TEMPERATURE												ENTERING INDOOR WET BULB TEMPERATURE												
		65°F				75°F				85°F				95°F				105°F				115°F				
		59	63	67	71	59	63	67	71	59	63	67	71	59	63	67	71	59	63	67	71	59	63	67	71	
80	1400	MBh	41.8	42.7	45.6	48.8	40.8	41.7	44.6	47.7	39.9	40.7	43.5	46.5	38.9	39.7	42.5	45.4	36.9	37.8	40.3	43.1	34.2	35.0	37.4	39.9
	S/T	0.88	0.83	0.67	0.50	0.92	0.86	0.70	0.52	0.94	0.88	0.72	0.54	0.97	0.91	0.74	0.55	1.01	0.94	0.77	0.57	1.01	0.95	0.77	0.58	
	Δ T	24	23	20	16	25	24	20	16	25	24	20	16	25	24	21	16	24	23	20	16	23	22	19	15	
	kW	3.21	3.28	3.37	3.47	3.44	3.51	3.62	3.73	3.65	3.72	3.83	3.95	3.82	3.90	4.03	4.15	3.98	4.06	4.19	4.32	4.11	4.20	4.33	4.47	
	Amps	11.9	12.1	12.5	13.0	12.8	13.1	13.6	14.1	13.9	14.3	14.7	15.3	14.9	15.2	15.8	16.3	15.8	16.2	16.8	17.4	16.8	17.2	17.8	18.5	
	Hi PR	219	236	249	259	246	264	279	291	279	301	317	331	318	342	362	377	358	385	407	424	395	426	449	469	
	Lo PR	106	113	124	132	112	120	131	139	117	124	136	145	123	131	143	152	129	137	149	159	133	142	155	165	
	1600	MBh	45.3	46.3	49.5	52.9	44.2	45.2	48.3	51.6	43.2	44.1	47.2	50.4	42.1	43.1	46.0	49.2	40.0	40.9	43.7	46.7	37.1	37.9	40.5	43.3
	S/T	0.92	0.86	0.70	0.52	0.95	0.89	0.72	0.54	0.97	0.91	0.74	0.56	1.00	0.94	0.77	0.57	1.00	0.98	0.80	0.60	1.00	0.99	0.80	0.60	
	Δ T	24	23	20	16	24	23	20	16	24	23	20	16	24	23	20	16	24	23	20	16	21	21	19	15	
kW	3.29	3.35	3.45	3.56	3.52	3.59	3.70	3.82	3.73	3.81	3.93	4.05	3.92	4.00	4.12	4.26	4.07	4.16	4.29	4.43	4.21	4.30	4.44	4.58		
Amps	12.2	12.5	12.9	13.4	13.2	13.5	13.9	14.5	14.3	14.7	15.2	15.7	15.3	15.7	16.2	16.8	16.3	16.7	17.3	17.9	17.3	17.7	18.3	19.0		
Hi PR	226	243	256	267	253	272	288	300	288	310	327	341	328	353	373	389	369	397	419	437	408	439	463	483		
Lo PR	110	117	127	136	116	123	135	143	120	128	140	149	127	135	147	157	133	141	154	164	137	146	159	170		
1800	MBh	46.7	47.7	50.9	54.4	45.6	46.6	49.7	53.2	44.5	45.5	48.6	51.9	43.4	44.3	47.4	50.6	41.2	42.1	45.0	48.1	38.2	39.0	41.7	44.6	
S/T	0.96	0.90	0.73	0.55	1.00	0.93	0.76	0.57	1.00	0.96	0.78	0.58	1.00	1.00	0.80	0.60	1.00	1.00	0.83	0.62	1.00	1.00	0.84	0.63		
Δ T	23	22	19	15	23	22	19	15	23	22	19	15	22	23	19	16	21	22	19	15	20	20	18	14		
kW	3.31	3.38	3.48	3.58	3.55	3.62	3.73	3.85	3.76	3.84	3.96	4.08	3.95	4.03	4.16	4.29	4.11	4.19	4.33	4.47	4.24	4.33	4.47	4.62		
Amps	12.3	12.6	13.0	13.5	13.3	13.6	14.1	14.6	14.4	14.8	15.3	15.9	15.4	15.8	16.4	17.0	16.4	16.8	17.4	18.1	17.4	17.9	18.5	19.2		
Hi PR	228	245	259	270	256	275	291	303	291	313	331	345	331	356	376	393	373	401	423	442	412	443	468	488		
Lo PR	111	118	129	137	117	125	136	145	122	129	141	151	128	136	148	158	134	143	156	166	139	147	161	171		
85	1400	MBh	42.5	43.4	45.4	48.5	41.5	42.4	44.4	47.3	40.6	41.3	43.3	46.2	39.6	40.3	42.2	45.1	37.6	38.3	40.1	42.8	34.8	35.5	37.2	39.7
	S/T	0.93	0.89	0.81	0.65	0.96	0.93	0.84	0.68	0.98	0.95	0.86	0.70	1.00	0.98	0.88	0.72	1.00	1.00	0.92	0.74	1.00	1.00	0.93	0.75	
	Δ T	26	25	24	21	26	26	24	21	26	26	24	21	26	26	25	21	25	25	24	21	23	23	23	20	
	kW	3.24	3.30	3.40	3.50	3.47	3.54	3.65	3.76	3.67	3.75	3.86	3.99	3.85	3.94	4.06	4.19	4.01	4.09	4.22	4.36	4.14	4.23	4.36	4.50	
	Amps	12.0	12.2	12.6	13.1	12.9	13.2	13.7	14.2	14.0	14.4	14.9	15.4	15.0	15.4	15.9	16.5	16.0	16.4	16.9	17.6	16.9	17.4	17.9	18.6	
	Hi PR	221	238	251	262	248	267	282	294	282	304	321	334	321	346	365	381	361	389	411	428	399	430	454	473	
	Lo PR	108	114	125	133	114	121	132	140	118	126	137	146	124	132	144	153	130	138	151	161	134	143	156	166	
	1600	MBh	46.1	47.0	49.2	52.5	45.0	45.9	48.1	51.3	43.9	44.8	46.9	50.1	42.9	43.7	45.8	48.8	40.7	41.5	43.5	46.4	37.7	38.5	40.3	43.0
	S/T	0.96	0.93	0.84	0.68	1.00	0.96	0.87	0.70	1.00	0.98	0.89	0.72	1.00	1.00	0.92	0.74	1.00	1.00	0.95	0.77	1.00	1.00	0.96	0.78	
	Δ T	25	25	24	20	26	25	24	21	25	25	24	21	25	25	24	21	23	24	24	21	22	22	22	19	
kW	3.31	3.38	3.48	3.58	3.55	3.62	3.73	3.85	3.76	3.84	3.96	4.08	3.95	4.03	4.16	4.29	4.11	4.19	4.33	4.47	4.24	4.33	4.47	4.62		
Amps	12.3	12.6	13.0	13.5	13.3	13.6	14.1	14.6	14.4	14.8	15.3	15.9	15.4	15.8	16.4	17.0	16.4	16.8	17.4	18.1	17.4	17.9	18.5	19.2		
Hi PR	228	245	259	270	256	275	291	303	291	313	331	345	331	356	376	393	373	401	423	442	412	443	468	488		
Lo PR	111	118	129	137	117	125	136	145	122	129	141	151	128	136	148	158	134	143	156	166	139	147	161	171		
1800	MBh	47.5	48.4	50.7	54.1	46.4	47.3	49.5	52.8	45.3	46.1	48.3	51.6	44.2	45.0	47.1	50.3	42.0	42.8	44.8	47.8	38.9	39.6	41.5	44.3	
S/T	1.00	0.97	0.88	0.71	1.00	1.00	0.91	0.74	1.00	1.00	0.93	0.76	1.00	1.00	0.96	0.78	1.00	1.00	1.00	0.81	1.00	1.00	1.00	0.82		
Δ T	24	24	23	20	24	24	24	20	23	24	23	20	23	23	23	20	21	22	23	20	20	20	20	18		
kW	3.34	3.40	3.50	3.61	3.58	3.65	3.76	3.88	3.79	3.87	3.99	4.11	3.98	4.06	4.19	4.32	4.14	4.23	4.36	4.50	4.28	4.37	4.51	4.65		
Amps	12.4	12.7	13.1	13.6	13.4	13.7	14.2	14.7	14.6	14.9	15.4	16.0	15.6	16.0	16.5	17.1	16.6	17.0	17.6	18.2	17.6	18.0	18.6	19.3		
Hi PR	230	248	262	273	258	278	294	306	294	316	334	348	335	360	380	397	376	405	428	446	416	448	473	493		
Lo PR	112	119	130	138	118	126	137	146	123	131	143	152	129	137	150	160	135	144	157	167	140	149	163	173		

IDB: Entering Indoor Dry Bulb Temperature
 High and low pressures are measured at the liquid and suction service valves.
 Shaded area reflects AHRI conditions
 Amps = outdoor unit amps (comp.+fan)
 kW = Total system power

EXPANDED COOLING DATA — GSX130601B* / CA*F4961*6A*

IDB	AIRFLOW	OUTDOOR AMBIENT TEMPERATURE												ENTERING INDOOR WET BULB TEMPERATURE													
		65°F				75°F				85°F				95°F				105°F				115°F					
		59	63	67	71	59	63	67	71	59	63	67	71	59	63	67	71	59	63	67	71	59	63	67	71		
70	1500	MBh	50.1	51.9	56.8	-	48.9	50.7	55.5	-	47.7	49.5	54.2	-	46.6	48.3	52.9	-	44.2	45.8	50.2	-	41.0	42.5	46.5	-	
		S/T	0.67	0.56	0.39	-	0.69	0.58	0.40	-	0.71	0.59	0.41	-	0.73	0.61	0.42	-	0.76	0.64	0.44	-	0.77	0.64	0.44	-	
		ΔT	21	18	13	-	21	18	14	-	21	18	14	-	21	18	14	-	21	18	14	-	19	17	13	-	
	1750	kW	3.87	3.95	4.07	-	4.16	4.24	4.38	-	4.41	4.50	4.65	-	4.63	4.73	4.89	-	4.82	4.93	5.09	-	4.99	5.10	5.26	-	
		Amps	14.4	14.8	15.3	-	15.6	16.0	16.5	-	17.0	17.4	18.0	-	18.2	18.6	19.2	-	19.3	19.8	20.5	-	20.5	21.0	21.7	-	
		HI PR	229	246	260	-	257	276	292	-	292	314	332	-	333	358	378	-	374	403	425	-	413	445	470	-	
	2000	LO PR	101	108	118	-	107	114	125	-	111	119	129	-	117	125	136	-	123	130	142	-	127	135	147	-	
		MBh	54.2	56.2	61.6	-	53.0	54.9	60.1	-	51.7	53.6	58.7	-	50.4	52.3	57.3	-	47.9	49.7	54.4	-	44.4	46.0	50.4	-	
		S/T	0.69	0.58	0.40	-	0.72	0.60	0.42	-	0.74	0.62	0.43	-	0.76	0.64	0.44	-	0.79	0.66	0.46	-	0.80	0.66	0.46	-	
	75	1500	ΔT	20	17	13	-	20	17	13	-	20	17	13	-	20	17	13	-	20	17	13	-	19	16	12	-
			kW	3.96	4.04	4.17	-	4.26	4.35	4.48	-	4.52	4.62	4.76	-	4.75	4.85	5.01	-	4.95	5.05	5.22	-	5.12	5.23	5.40	-
			Amps	14.8	15.2	15.7	-	16.1	16.4	17.0	-	17.5	17.9	18.5	-	18.7	19.1	19.8	-	19.9	20.4	21.1	-	21.1	21.6	22.4	-
1750		HI PR	236	254	268	-	265	285	301	-	301	324	342	-	343	369	390	-	386	415	438	-	426	459	484	-	
		LO PR	105	111	122	-	111	118	128	-	115	122	133	-	121	128	140	-	126	135	147	-	131	139	152	-	
		MBh	55.9	57.9	63.4	-	54.6	56.5	62.0	-	53.3	55.2	60.5	-	52.0	53.9	59.0	-	49.4	51.2	56.1	-	45.7	47.4	51.9	-	
2000		S/T	0.73	0.61	0.42	-	0.75	0.63	0.44	-	0.77	0.65	0.45	-	0.80	0.67	0.46	-	0.83	0.69	0.48	-	0.83	0.70	0.48	-	
		ΔT	19	16	12	-	19	16	12	-	19	16	12	-	19	16	13	-	19	16	12	-	18	15	12	-	
		kW	3.99	4.07	4.20	-	4.29	4.38	4.52	-	4.56	4.65	4.80	-	4.79	4.89	5.05	-	4.99	5.10	5.26	-	5.16	5.27	5.44	-	
75		1500	Amps	15.0	15.3	15.8	-	16.2	16.6	17.2	-	17.6	18.1	18.7	-	18.9	19.3	20.0	-	20.1	20.6	21.3	-	21.3	21.8	22.6	-
			HI PR	231	249	263	274	259	279	295	307	295	317	335	350	336	362	382	398	378	407	430	448	418	449	475	495
			LO PR	103	109	119	127	108	115	126	134	113	120	131	139	118	126	137	146	124	132	144	153	128	136	149	159
	1750	MBh	55.1	56.8	61.5	66.0	53.9	55.5	60.0	64.4	52.6	54.1	58.6	62.9	51.3	52.8	57.2	61.4	48.7	50.2	54.3	58.3	45.1	46.5	50.3	54.0	
		S/T	0.79	0.71	0.53	0.34	0.82	0.73	0.55	0.36	0.84	0.75	0.57	0.36	0.86	0.77	0.59	0.38	0.90	0.80	0.61	0.39	0.91	0.81	0.61	0.39	
		ΔT	23	21	17	12	23	21	17	12	23	21	17	12	23	21	18	12	23	21	17	12	21	20	16	11	
	2000	kW	3.99	4.07	4.20	4.33	4.29	4.38	4.52	4.66	4.56	4.65	4.80	4.96	4.79	4.89	5.05	5.22	4.99	5.10	5.26	5.44	5.16	5.27	5.44	5.63	
		Amps	15.0	15.3	15.8	16.4	16.2	16.6	17.2	17.8	17.6	18.1	18.7	19.4	18.9	19.3	20.0	20.8	20.1	20.6	21.3	22.1	21.3	21.8	22.6	23.5	
		HI PR	238	256	271	282	267	288	304	317	304	327	346	360	346	373	394	411	390	419	443	462	431	463	489	510	
	2000	LO PR	106	112	123	131	112	119	130	138	116	123	135	144	122	130	142	151	128	136	148	158	132	141	153	163	
		MBh	56.8	58.5	63.3	67.9	55.5	57.1	61.8	66.4	54.2	55.8	60.4	64.8	52.8	54.4	58.9	63.2	50.2	51.7	55.9	60.0	46.5	47.9	51.8	55.6	
		S/T	0.83	0.74	0.56	0.36	0.86	0.77	0.58	0.37	0.88	0.79	0.59	0.38	0.91	0.81	0.61	0.39	0.94	0.84	0.64	0.41	0.95	0.85	0.64	0.41	
2000	ΔT	22	20	16	11	22	20	16	11	22	20	16	11	22	20	17	11	22	20	16	11	20	19	15	11		
	kW	4.02	4.11	4.23	4.37	4.33	4.42	4.56	4.70	4.59	4.69	4.84	5.00	4.83	4.93	5.09	5.26	5.03	5.14	5.31	5.48	5.20	5.32	5.49	5.67		
	Amps	15.1	15.5	16.0	16.6	16.4	16.8	17.3	18.0	17.8	18.2	18.8	19.6	19.0	19.5	20.2	20.9	20.3	20.8	21.5	22.3	21.5	22.0	22.8	23.7		
2000	HI PR	241	259	274	285	270	291	307	320	307	331	349	364	350	376	398	415	394	424	447	466	435	468	494	515		
	LO PR	107	114	124	132	113	120	131	139	117	125	136	145	123	131	143	152	129	137	150	160	133	142	155	165		

Shaded area reflects ACCA (TVA) conditions
 IDB: Entering Indoor Dry Bulb Temperature
 High and low pressures are measured at the liquid and suction service valves.
 Amps = outdoor unit amps (comp.+fan)
 kW = Total system power

EXPANDED COOLING DATA — GSX130601B* / CA*F4961*6A* (CONT.)

IDB	AIRFLOW	OUTDOOR AMBIENT TEMPERATURE												ENTERING INDOOR WET BULB TEMPERATURE																																																														
		65°F				75°F				85°F				95°F				105°F				115°F																																																						
		59	63	67	71	59	63	67	71	59	63	67	71	59	63	67	71	59	63	67	71	59	63	67	71																																																			
80	1500	MBh	51.8	52.9	56.6	60.5	50.6	51.7	55.2	59.1	49.4	50.5	53.9	57.6	48.2	49.2	52.6	56.2	45.8	46.8	50.0	53.4	42.4	43.3	46.3	49.5	S/T	0.83	0.78	0.64	0.48	0.86	0.81	0.66	0.49	0.89	0.83	0.68	0.51	0.91	0.86	0.70	0.52	0.95	0.89	0.72	0.54	0.96	0.90	0.73	0.55	ΔT	26	25	22	18	27	26	22	18	27	26	23	18	27	26	22	18	25	24	21	17				
		kW	3.93	4.01	4.13	4.26	4.22	4.31	4.45	4.59	4.48	4.58	4.72	4.88	4.71	4.81	4.97	5.13	4.90	5.01	5.17	5.34	5.07	5.18	5.35	5.53	Amps	14.7	15.1	15.6	16.1	15.9	16.3	16.8	17.5	17.3	17.7	18.3	19.0	18.5	19.0	19.6	20.4	19.7	20.2	20.9	21.7	20.9	21.4	22.2	23.0																									
	HI PR	234	251	265	277	262	282	298	311	298	321	339	353	339	365	386	402	382	411	434	453	422	454	479	500	LO PR	104	110	120	128	109	116	127	135	114	121	132	141	119	127	139	148	125	133	145	155	129	138	150	160																										
	MBh	56.1	57.4	61.3	65.5	54.8	56.0	59.9	64.0	53.5	54.7	58.4	62.5	52.2	53.4	57.0	60.9	49.6	50.7	54.2	57.9	45.9	46.9	50.2	53.6	S/T	0.86	0.81	0.66	0.49	0.90	0.84	0.68	0.51	0.92	0.86	0.70	0.52	0.95	0.89	0.72	0.54	0.98	0.92	0.75	0.56	0.99	0.93	0.76	0.57	ΔT	25	24	21	17	26	25	22	17	26	25	21	17	24	23	20	16									
	kW	4.02	4.11	4.23	4.37	4.33	4.42	4.56	4.70	4.59	4.69	4.84	5.00	4.83	4.93	5.09	5.26	5.03	5.14	5.31	5.48	5.20	5.32	5.49	5.67	Amps	15.1	15.5	16.0	16.6	16.4	16.8	17.3	18.0	17.8	18.2	18.8	19.6	20.3	20.8	21.5	22.3	21.5	22.0	22.8	23.7																														
	HI PR	241	259	274	285	270	291	307	320	307	331	349	364	350	377	398	415	394	424	447	467	435	468	494	515	LO PR	107	114	124	132	113	120	131	140	117	125	136	145	123	131	143	152	129	137	150	160	133	142	155	165																										
	MBh	57.8	59.1	63.1	67.5	56.5	57.7	61.6	65.9	55.1	56.3	60.2	64.3	53.8	55.0	58.7	62.8	51.1	52.2	55.8	59.6	47.3	48.4	51.7	55.2	S/T	0.91	0.85	0.69	0.52	0.94	0.88	0.72	0.54	0.96	0.90	0.74	0.55	1.00	0.93	0.76	0.57	1.00	0.97	0.79	0.59	1.00	1.00	0.79	0.59	ΔT	24	23	20	16	24	23	20	16	23	23	20	16	22	22	19	15									
	kW	4.05	4.14	4.27	4.40	4.36	4.45	4.59	4.74	4.63	4.73	4.88	5.04	4.87	4.97	5.13	5.30	5.07	5.18	5.35	5.53	5.24	5.36	5.54	5.72	Amps	15.2	15.6	16.1	16.7	16.5	16.9	17.5	18.1	18.0	18.4	19.0	19.8	19.2	19.7	20.4	21.1	20.5	21.0	21.7	22.5	21.7	22.3	23.0	23.9																										
	HI PR	243	262	276	288	273	294	310	323	310	334	353	368	353	380	402	419	398	428	452	471	439	473	499	521	LO PR	108	115	125	133	114	121	132	141	118	126	137	146	124	132	144	154	130	139	151	161	135	143	157	167																										
	85	1500	MBh	52.7	53.7	56.3	60.0	51.5	52.5	55.0	58.6	50.3	51.2	53.7	57.2	49.0	50.0	52.3	55.8	46.6	47.5	49.7	53.1	43.1	44.0	46.1	49.1	S/T	0.87	0.84	0.76	0.62	0.91	0.87	0.79	0.64	0.93	0.90	0.81	0.66	0.96	0.93	0.83	0.68	1.00	0.96	0.87	0.70	1.00	1.00	0.91	0.74	1.00	0.97	0.87	0.71	ΔT	28	28	26	23	29	28	27	23	29	28	27	23	28	28	26	23	26	26	25
kW			3.96	4.04	4.17	4.30	4.26	4.35	4.48	4.62	4.52	4.61	4.76	4.92	4.75	4.85	5.01	5.17	4.94	5.05	5.22	5.39	5.11	5.23	5.40	5.58	Amps	14.8	15.2	15.7	16.3	16.0	16.4	17.0	17.6	17.5	17.9	18.5	19.2	18.7	19.1	19.8	20.5	19.9	20.4	21.1	21.9	21.1	21.6	22.4	23.2																									
HI PR		236	254	268	280	265	285	301	314	301	324	342	357	343	369	390	406	386	415	438	457	426	459	484	505	LO PR	105	111	121	129	110	118	128	137	115	122	133	142	121	128	140	149	126	134	147	156	131	139	152	162																										
MBh		57.1	58.2	61.0	65.0	55.8	56.9	59.6	63.5	54.5	55.5	58.1	62.0	53.1	54.2	56.7	60.5	50.5	51.4	53.9	57.5	46.7	47.7	49.9	53.2	S/T	0.91	0.87	0.79	0.64	0.94	0.91	0.82	0.66	0.96	0.93	0.84	0.68	0.99	0.96	0.87	0.70	1.00	1.00	0.90	0.73	1.00	1.00	0.91	0.74	1.00	1.00	0.91	0.74	ΔT	27	27	25	22	28	27	26	22	28	27	26	22	27	27	25	22	25	25	24	21	
kW		4.05	4.14	4.27	4.40	4.36	4.45	4.59	4.74	4.63	4.73	4.88	5.04	4.87	4.97	5.13	5.30	5.07	5.18	5.35	5.53	5.24	5.36	5.54	5.72	Amps	15.2	15.6	16.1	16.7	16.5	16.9	17.5	18.1	18.0	18.4	19.0	19.8	19.2	19.7	20.4	21.1	20.5	21.0	21.7	22.5	21.7	22.3	23.0	23.9																										
HI PR		243	262	276	288	273	294	310	323	310	334	353	368	353	380	402	419	398	428	452	471	439	473	499	521	LO PR	108	115	125	133	114	121	132	141	118	126	137	146	124	132	144	154	130	139	151	161	135	143	157	167																										
MBh		58.8	60.0	62.8	67.0	57.5	58.6	61.3	65.4	56.1	57.2	59.9	63.9	54.7	55.8	58.4	62.3	52.0	53.0	55.5	59.2	48.2	49.1	51.4	54.8	S/T	0.95	0.92	0.83	0.67	0.99	0.95	0.86	0.70	1.00	0.97	0.88	0.71	1.00	1.00	0.91	0.74	1.00	1.00	0.94	0.76	1.00	1.00	0.95	0.77	ΔT	26	25	24	21	26	26	24	21	25	26	24	21	24	24	23	21	22	23	22	19					
kW		4.09	4.17	4.30	4.44	4.39	4.49	4.63	4.78	4.67	4.77	4.92	5.08	4.91	5.01	5.18	5.35	5.11	5.22	5.39	5.57	5.29	5.40	5.58	5.77	Amps	15.4	15.8	16.3	16.9	16.7	17.1	17.6	18.3	18.1	18.6	19.2	19.9	19.4	19.9	20.6	21.3	20.7	21.2	21.9	22.7	21.9	22.5	23.2	24.1																										
HI PR		246	264	279	291	276	297	313	327	313	337	356	371	357	384	406	423	402	432	456	476	444	477	504	526	LO PR	109	116	126	135	115	122	134	142	120	127	139	148	126	134	146	155	132	140	153	163	136	145	158	168																										

IDB: Entering Indoor Dry Bulb Temperature
 High and low pressures are measured at the liquid and suction service valves.
 Shaded area reflects AHRI conditions
 Amps = outdoor unit amps (comp. + fan)
 kW = Total system power

EXPANDED COOLING DATA — GSX130611*/CA*F4961*6D*+EEP

IDB	AIRFLOW	OUTDOOR AMBIENT TEMPERATURE																								
		65				75				85				95				105				115				
		59	63	67	71	59	63	67	71	59	63	67	71	59	63	67	71	59	63	67	71	59	63	67	71	
70	1500	MBh	53.8	55.7	61.0	-	51.3	53.1	58.2	-	50.0	51.8	56.8	-	47.5	49.2	53.9	-	44.0	45.6	50.0	-	41.5	43.1	47.8	-
	S/T	0.66	0.55	0.38	-	0.70	0.58	0.40	-	0.72	0.60	0.42	-	0.75	0.62	0.43	-	0.75	0.63	0.44	-	0.75	0.63	0.44	-	
	ΔT	22	19	14	-	22	19	14	-	22	19	14	-	22	19	14	-	22	19	14	-	22	19	14	-	
	kW	3.97	4.05	4.18	-	4.27	4.37	4.51	-	4.78	4.89	5.05	-	4.99	5.10	5.27	-	5.16	5.28	5.45	-	5.33	5.45	5.62	-	
	Amps	15.4	15.8	16.3	-	16.7	17.1	17.6	-	19.4	19.9	20.6	-	20.7	21.2	21.9	-	22.0	22.5	23.3	-	22.2	22.7	23.5	-	
	HI PR	228	245	259	-	256	275	291	-	331	357	377	-	373	401	424	-	412	443	468	-	442	473	498	-	
LO PR	98	104	114	-	103	110	120	-	107	114	125	-	113	120	131	-	118	126	137	-	122	130	142	-		
1750	MBh	55.4	57.4	62.9	-	54.1	56.1	61.4	-	52.8	54.7	59.9	-	51.5	53.4	58.5	-	48.9	50.7	55.6	-	45.3	47.0	51.5	-	
	S/T	0.69	0.57	0.40	-	0.71	0.60	0.41	-	0.73	0.61	0.42	-	0.75	0.63	0.44	-	0.78	0.65	0.45	-	0.79	0.66	0.46	-	
	ΔT	20	17	13	-	20	18	13	-	20	18	13	-	20	18	13	-	20	17	13	-	19	16	12	-	
	kW	4.00	4.09	4.21	-	4.31	4.40	4.54	-	4.82	4.93	5.09	-	5.03	5.14	5.31	-	5.20	5.32	5.50	-	5.37	5.50	5.68	-	
	Amps	15.5	15.9	16.4	-	16.8	17.2	17.8	-	19.6	20.1	20.8	-	20.9	21.4	22.2	-	22.2	22.7	23.5	-	22.4	22.9	23.7	-	
	HI PR	230	248	262	-	258	278	294	-	294	316	334	-	335	360	380	-	377	405	428	-	416	448	473	-	
LO PR	99	105	115	-	104	111	121	-	108	115	126	-	114	121	132	-	119	127	139	-	124	131	143	-		
2000	MBh	55.6	57.7	63.2	-	54.3	56.3	61.7	-	53.0	55.0	60.2	-	51.8	53.6	58.8	-	49.2	51.0	55.8	-	45.5	47.2	51.7	-	
	S/T	0.70	0.58	0.40	-	0.72	0.60	0.42	-	0.74	0.62	0.43	-	0.77	0.64	0.44	-	0.79	0.66	0.46	-	0.80	0.67	0.46	-	
	ΔT	18	15	12	-	18	16	12	-	18	16	12	-	18	16	12	-	18	16	12	-	17	15	11	-	
	kW	4.03	4.12	4.25	-	4.34	4.44	4.58	-	4.62	4.72	4.88	-	4.86	4.97	5.13	-	5.07	5.18	5.36	-	5.25	5.37	5.55	-	
	Amps	15.7	16.1	16.6	-	17.0	17.4	18.0	-	18.5	18.9	19.6	-	19.8	20.3	21.0	-	21.1	21.6	22.4	-	22.4	22.9	23.7	-	
	HI PR	233	250	264	-	261	281	297	-	297	319	337	-	338	364	384	-	380	409	432	-	420	452	477	-	
LO PR	100	106	116	-	105	112	122	-	110	117	127	-	115	122	134	-	121	128	140	-	125	133	145	-		

IDB	AIRFLOW	OUTDOOR AMBIENT TEMPERATURE																								
		65				75				85				95				105				115				
		59	63	67	71	59	63	67	71	59	63	67	71	59	63	67	71	59	63	67	71	59	63	67	71	
75	1500	MBh	54.7	56.3	60.9	65.4	53.4	55.0	59.5	63.9	52.1	53.7	58.1	62.3	50.9	52.4	56.7	60.8	48.3	49.7	53.8	57.8	44.7	46.1	49.9	53.5
	S/T	0.75	0.67	0.50	0.32	0.77	0.69	0.52	0.34	0.79	0.71	0.54	0.35	0.82	0.73	0.55	0.36	0.85	0.76	0.57	0.37	0.86	0.77	0.58	0.37	
	ΔT	25	23	19	12	25	23	19	13	25	23	19	13	26	23	19	13	25	23	19	13	25	23	18	12	
	kW	4.00	4.09	4.22	4.35	4.31	4.40	4.55	4.69	4.58	4.68	4.84	5.00	4.82	4.93	5.09	5.26	5.03	5.14	5.31	5.49	5.20	5.32	5.50	5.69	
	Amps	15.5	15.9	16.4	17.1	16.8	17.2	17.8	18.5	18.3	18.8	19.4	20.2	19.6	20.1	20.8	21.6	20.9	21.4	22.2	23.0	22.2	22.7	23.5	24.4	
	HI PR	230	248	262	273	258	278	294	306	294	316	334	348	335	360	380	397	377	405	428	446	416	448	473	493	
LO PR	99	105	115	122	104	111	121	129	108	115	126	134	114	121	132	141	119	127	139	148	124	131	143	153		
1750	MBh	56.3	58.0	62.7	67.3	55.0	56.6	61.3	65.8	53.7	55.3	59.8	64.2	52.4	53.9	58.4	62.6	49.8	51.2	55.5	59.5	46.1	47.5	51.4	55.1	
	S/T	0.78	0.70	0.53	0.34	0.81	0.72	0.55	0.35	0.83	0.74	0.56	0.36	0.86	0.77	0.58	0.37	0.89	0.80	0.60	0.39	0.90	0.80	0.61	0.39	
	ΔT	23	21	17	12	23	22	18	12	23	22	18	12	24	22	18	12	23	21	18	12	22	20	16	11	
	kW	4.03	4.12	4.25	4.39	4.34	4.44	4.58	4.73	4.62	4.72	4.88	5.04	4.86	4.97	5.14	5.31	5.07	5.18	5.36	5.54	5.25	5.37	5.55	5.74	
	Amps	15.7	16.1	16.6	17.2	17.0	17.4	18.0	18.7	18.5	18.9	19.6	20.3	19.8	20.3	21.0	21.8	21.1	21.6	22.4	23.2	22.4	22.9	23.7	24.7	
	HI PR	233	250	264	276	261	281	297	309	297	320	337	352	338	364	384	401	380	409	432	451	420	452	478	498	
LO PR	100	106	116	123	105	112	122	130	110	117	127	136	115	122	134	142	121	128	140	149	125	133	145	154		
2000	MBh	56.6	58.3	63.1	67.7	55.3	56.9	61.6	66.1	53.9	55.5	60.1	64.5	52.6	54.2	58.7	63.0	50.0	51.5	55.7	59.8	46.3	47.7	51.6	55.4	
	S/T	0.79	0.71	0.54	0.35	0.82	0.73	0.56	0.36	0.84	0.75	0.57	0.37	0.87	0.78	0.59	0.38	0.90	0.81	0.61	0.39	0.91	0.81	0.62	0.40	
	ΔT	21	19	16	11	21	19	16	11	21	19	16	11	21	19	16	11	21	19	16	11	19	18	15	10	
	kW	4.06	4.15	4.28	4.42	4.38	4.48	4.62	4.77	4.66	4.76	4.92	5.08	4.90	5.01	5.18	5.35	5.11	5.23	5.40	5.59	5.29	5.41	5.59	5.78	
	Amps	15.8	16.2	16.7	17.4	17.1	17.6	18.1	18.8	18.7	19.1	19.8	20.5	20.0	20.5	21.2	22.0	21.3	21.8	22.6	23.5	22.6	23.2	24.0	24.9	
	HI PR	235	253	267	278	264	284	300	312	300	323	341	355	341	367	388	405	384	413	437	455	424	457	482	503	
LO PR	101	107	117	125	106	113	124	132	111	118	129	137	116	124	135	144	122	130	141	151	126	134	146	156		

IDB: Entering Indoor Dry Bulb Temperature
 High and low pressures are measured at the liquid and suction service valves.
 Shaded area reflects ACCA (TVA) conditions
 Amps = outdoor unit amps (comp.+fan)
 kW = Total system power

EXPANDED COOLING DATA — GSX130611*/CA*F4961*6D*+EEP (CONT.)

IDB	AIRFLOW	OUTDOOR AMBIENT TEMPERATURE																								
		65				75				85				95												
		105			115			105			115			105			115									
80	1500	MBh	55.6	56.9	60.7	64.9	54.3	55.5	59.3	63.4	53.0	54.2	57.9	61.9	51.8	52.9	56.5	60.4	49.2	50.2	53.7	57.4	45.5	46.5	49.7	53.2
		S/T	0.82	0.77	0.62	0.47	0.85	0.80	0.65	0.48	0.87	0.82	0.66	0.50	0.90	0.84	0.69	0.51	0.93	0.87	0.71	0.53	0.94	0.88	0.72	0.54
		ΔT	28	27	23	19	28	27	24	19	28	27	24	19	28	27	24	19	28	27	23	19	26	25	22	17
		kW	4.03	4.12	4.25	4.39	4.35	4.44	4.58	4.73	4.62	4.72	4.88	5.04	4.86	4.97	5.14	5.31	5.07	5.18	5.36	5.54	5.25	5.37	5.55	5.74
		Amps	15.7	16.1	16.6	17.2	17.0	17.4	18.0	18.7	18.5	18.9	19.6	20.3	19.8	20.3	21.0	21.8	21.1	21.6	22.4	23.2	22.4	22.9	23.7	24.7
		HI PR	233	250	264	276	261	281	297	309	297	320	337	352	338	364	384	401	380	409	432	451	420	452	478	498
	LO PR	100	106	116	123	105	112	122	130	110	117	127	136	115	122	134	142	121	128	140	149	125	133	145	154	
	1750	MBh	57.3	58.6	62.6	66.9	56.0	57.2	61.1	65.3	54.6	55.8	59.6	63.8	53.3	54.5	58.2	62.2	50.6	51.7	55.3	59.1	46.9	47.9	51.2	54.7
		S/T	0.86	0.80	0.65	0.49	0.89	0.83	0.68	0.51	0.91	0.85	0.70	0.52	0.94	0.88	0.72	0.54	1.00	0.92	0.75	0.56	1.00	0.92	0.75	0.56
		ΔT	26	25	22	17	26	25	22	17	26	25	22	17	26	25	22	18	27	25	22	17	25	23	20	16
		kW	4.07	4.15	4.28	4.42	4.38	4.48	4.62	4.77	4.66	4.76	4.92	5.08	4.90	5.01	5.18	5.35	5.11	5.23	5.40	5.59	5.29	5.41	5.59	5.79
		Amps	15.8	16.2	16.7	17.4	17.1	17.6	18.2	18.9	18.7	19.1	19.8	20.5	20.0	20.5	21.2	22.0	21.3	21.8	22.6	23.5	22.6	23.2	24.0	24.9
HI PR		235	253	267	279	264	284	300	313	300	323	341	355	342	368	388	405	384	414	437	455	425	457	482	503	
LO PR	101	107	117	125	107	113	124	132	111	118	129	137	116	124	135	144	122	130	142	151	126	134	146	156		
2000	MBh	57.6	58.8	62.9	67.2	56.2	57.5	61.4	65.6	54.9	56.1	59.9	64.1	53.6	54.7	58.5	62.5	50.9	52.0	55.6	59.4	47.1	48.2	51.5	55.0	
	S/T	0.87	0.82	0.66	0.50	0.90	0.85	0.69	0.51	0.92	0.87	0.71	0.53	0.95	0.89	0.73	0.54	1.00	0.93	0.76	0.56	1.00	0.94	0.76	0.57	
	ΔT	23	22	19	15	23	22	19	16	23	22	19	16	23	23	20	16	23	22	19	15	22	21	18	14	
	kW	4.10	4.19	4.32	4.46	4.42	4.51	4.66	4.81	4.70	4.80	4.96	5.12	4.94	5.06	5.22	5.40	5.16	5.27	5.45	5.63	5.34	5.46	5.64	5.84	
	Amps	16.0	16.4	16.9	17.6	17.3	17.7	18.3	19.0	18.8	19.3	20.0	20.7	20.2	20.7	21.4	22.2	21.5	22.0	22.8	23.7	22.8	23.4	24.2	25.1	
	HI PR	237	255	270	281	266	287	303	316	303	326	344	359	345	371	392	409	388	418	441	460	429	461	487	508	
LO PR	102	108	118	126	108	114	125	133	112	119	130	138	117	125	136	145	123	131	143	152	127	135	148	157		
85	1500	MBh	56.6	57.7	60.4	64.5	55.3	56.4	59.0	63.0	54.0	55.0	57.6	61.5	52.7	53.7	56.2	60.0	50.0	51.0	53.4	57.0	46.3	47.2	49.5	52.8
		S/T	0.86	0.83	0.75	0.61	0.89	0.86	0.77	0.63	0.91	0.88	0.79	0.64	0.94	0.91	0.82	0.66	0.98	0.94	0.85	0.69	0.98	0.95	0.86	0.70
		ΔT	30	29	28	24	30	30	28	24	30	30	28	24	30	30	28	24	30	29	28	24	28	28	26	23
		kW	4.07	4.15	4.28	4.42	4.38	4.48	4.62	4.77	4.66	4.76	4.92	5.08	4.90	5.01	5.18	5.35	5.11	5.23	5.40	5.59	5.29	5.41	5.59	5.79
		Amps	15.8	16.2	16.7	17.4	17.1	17.6	18.2	18.9	18.7	19.1	19.8	20.5	20.0	20.5	21.2	22.0	21.3	21.8	22.6	23.5	22.6	23.2	24.0	24.9
		HI PR	235	253	267	279	264	284	300	313	300	323	341	355	342	368	388	405	384	414	437	455	425	457	482	503
	LO PR	101	107	117	125	107	113	124	132	111	118	129	137	116	124	135	144	122	130	142	151	126	134	146	156	
	1750	MBh	58.3	59.4	62.2	66.4	56.9	58.1	60.8	64.9	55.6	56.7	59.4	63.3	54.2	55.3	57.9	61.8	51.5	52.5	55.0	58.7	47.7	48.7	51.0	54.4
		S/T	0.90	0.87	0.78	0.64	0.93	0.90	0.81	0.66	0.96	0.92	0.83	0.68	0.99	0.95	0.86	0.70	1.00	0.99	0.89	0.72	1.00	1.00	0.90	0.73
		ΔT	28	27	26	22	28	27	26	22	28	27	26	22	28	28	26	23	27	27	26	22	25	25	24	21
		kW	4.10	4.19	4.32	4.46	4.42	4.51	4.66	4.81	4.70	4.80	4.96	5.12	4.95	5.06	5.22	5.40	5.16	5.27	5.45	5.63	5.34	5.46	5.64	5.84
		Amps	16.0	16.4	16.9	17.6	17.3	17.7	18.3	19.0	18.8	19.3	20.0	20.7	20.2	20.7	21.4	22.2	21.5	22.0	22.8	23.7	22.8	23.4	24.2	25.1
HI PR		237	255	270	281	266	287	303	316	303	326	344	359	345	371	392	409	388	418	441	460	429	461	487	508	
LO PR	102	108	118	126	108	114	125	133	112	119	130	138	117	125	136	145	123	131	143	152	127	135	148	157		
2000	MBh	58.6	59.7	62.5	66.7	57.2	58.3	61.1	65.2	55.9	56.9	59.6	63.6	54.5	55.6	58.2	62.1	51.8	52.8	55.3	59.0	48.0	48.9	51.2	54.6	
	S/T	0.91	0.88	0.79	0.64	0.94	0.91	0.82	0.67	0.97	0.93	0.84	0.68	1.00	0.96	0.87	0.71	1.00	1.00	0.90	0.73	1.00	1.00	0.91	0.74	
	ΔT	25	24	23	20	25	24	23	20	25	24	23	20	25	25	23	20	24	24	23	20	22	22	21	19	
	kW	4.13	4.22	4.35	4.50	4.45	4.55	4.70	4.85	4.74	4.84	5.00	5.17	4.99	5.10	5.27	5.45	5.20	5.32	5.49	5.68	5.38	5.50	5.69	5.89	
	Amps	16.1	16.5	17.1	17.7	17.5	17.9	18.5	19.2	19.0	19.5	20.1	20.9	20.4	20.9	21.6	22.4	21.7	22.2	23.0	23.9	23.0	23.6	24.4	25.4	
	HI PR	240	258	272	284	269	289	306	319	306	329	348	363	348	375	396	413	392	422	445	465	433	466	492	513	
LO PR	103	109	119	127	109	116	126	134	113	120	131	140	119	126	138	147	124	132	144	154	129	137	149	159		

Amperes = outdoor unit amps (comp.+fan)
kW = Total system power

Shaded area reflects AHRI conditions

IDB: Entering Indoor Dry Bulb Temperature
High and low pressures are measured at the liquid and suction service valves.

AHRI RATINGS

OUTDOOR UNIT	INDOOR UNITS		COOLING RATINGS				CFM	AHRI #
	COILS/AIR HANDLERS	FURNACES	TOTAL ¹	SENS. ¹	SEER ²	EER ³		
GSX13 0181E*	ACNF18XX16D*		16,800	12,800	13.00	10.80	600	5039733
	ACNF24XX16D*		17,000	13,000	13.00	10.80	600	5039734
	ARPT18B14A*		17,400	13,300	13.00	11.00	600	5360106
	ARPT24B14A*		17,200	13,100	13.00	11.00	600	5378531
	ARUF18B14A*		17,200	13,100	13.00	11.00	600	5360107
	ARUF18B14A*+TXV		17,200	13,100	13.00	11.00	600	5378529
	ARUF24B14B*		17,200	13,100	13.00	11.00	600	5647167
	ARUF24B14B*+TXV		17,200	13,100	13.50	11.00	600	5647168
	ASPT24B14A*		17,600	13,400	14.00	12.00	605	5722521
	ASPT30C14A*		18,000	13,700	14.50	12.50	580	5722522
	ASUF29B14A*		17,600	13,400	13.50	11.50	605	5722520
	ASUF29B14A*+TXV		17,600	13,400	14.00	12.00	605	5722563
	AVPTC24B14A*		17,600	13,400	14.00	12.00	600	5924342
	AVPTC30C14A*		18,000	13,700	14.50	12.00	615	5924442
	AWUF18XX16B*		17,200	13,100	13.00	11.00	600	5039739
	AWUF31XX16A*		17,200	13,100	14.00	11.30	600	5039740
	CA*F1824*6D*	A*VC80604B*B*	18,000	13,700	14.00	11.50	675	5039742
	CA*F1824*6D*	G*E80603B*B*	17,800	13,600	14.00	11.50	640	5039744
	CA*F1824*6D*	G*VC80604B*B*	18,000	13,700	14.00	11.50	670	5039746
	CA*F1824*6D*	G*VM960603BXB*	18,000	13,700	14.00	11.50	670	5620945
	CA*F1824*6D*	G*VC950453BXB*	17,800	13,600	14.00	11.50	640	5620941
	CA*F1824*6D*	G*VC950704CXB*	17,800	13,600	14.00	11.50	640	5620944
	CA*F1824*6D*	GME950403BXA*	18,000	13,700	14.00	11.60	600	6497531
	CA*F1824*6D*	A*VC950453BXB*	18,000	13,700	14.00	11.60	600	6497529
	CA*F1824*6D*	A*VM960603BXB*	18,000	13,700	14.00	11.60	600	6497530
	CA*F1824*6D*	A*EH800603B*A*	17,800	13,600	14.00	11.50	640	6944831
	CA*F1824*6D*	AMEH960403BXA*	18,000	13,700	14.00	11.60	600	6944834
	CA*F1824*6D*+EEP		17,800	13,600	13.00	11.00	650	5039750
	CA*F1824*6D*+MBVC1200**-.1A*		18,200	13,900	14.00	11.50	640	5039751
	CA*F3030*6D*+EEP		18,000	13,700	13.00	11.00	650	5561904
	CA*F3030*6D*+EEP+TXV		18,000	13,700	13.00	11.00	650	5581977
	CA*F3131*6D*+EEP		18,000	13,700	13.00	11.00	650	5561905
	CA*F3131*6D*+EEP+TXV		18,000	13,700	13.00	11.00	650	5561906
	CAPT3131*4A*	A*VC950714CXB*	18,000	13,700	14.00	11.50	650	5948604
	CAPT3131*4A*	A*VM960604CXB*	18,000	13,700	14.00	11.50	670	5948608
	CAPT3131*4A*	G*VM960604CXB*	18,000	13,700	14.00	11.50	670	5948624
	CAPT3131*4A*	GME950603BXA*	18,000	13,700	14.00	11.50	575	5948628
	CAPT3131*4A*	ADV80603B*B*	18,000	13,700	14.00	11.50	675	5948610
	CAPT3131*4A*	G*E80603B*B*	18,000	13,700	14.00	11.50	650	5948612
	CAPT3131*4A*	A*VC80604B*B*	18,000	13,700	14.00	11.50	675	5948598
	CAPT3131*4A*	G*VC950453BXB*	18,000	13,700	14.00	11.50	650	5948616
	CAPT3131*4A*	A*VC950453BXB*	18,000	13,700	14.00	11.50	650	5948600
CAPT3131*4A*	A*VM960603BXB*	18,000	13,700	14.00	11.50	650	5948606	
CAPT3131*4A*	G*VC950714CXB*	18,000	13,700	14.00	11.50	650	5948620	
CAPT3131*4A*	G*VM960603BXB*	18,000	13,700	14.00	11.50	650	5948622	
CAPT3131*4A*	G*VC80604B*B*	18,000	13,700	14.00	11.50	675	5948614	
CAPT3131*4A*	G*VC950704CXB*	18,000	13,700	14.00	11.50	660	5948618	
CAPT3131*4A*	GME950403BXA*	18,000	13,700	14.00	11.50	575	5948626	
CAPT3131*4A*	A*VC950704CXB*	18,000	13,700	14.00	11.50	660	5948602	

See Notes on Page 38.

AHRI RATINGS (CONT.)

OUTDOOR UNIT	INDOOR UNITS		COOLING RATINGS				CFM	AHRI #	
	COILS/AIR HANDLERS	FURNACES	TOTAL ¹	SENS. ¹	SEER ²	EER ³			
GSX13 0181E*	CAPT3131*4A*	A*EH800603B*A*	18,000	13,700	14.00	11.50	650	6944836	
	CAPT3131*4A*	AMEH960403BXA*	18,000	13,700	14.00	11.50	575	6944839	
	CAPT3131*4A*	AMEH960603BXA*	18,000	13,700	14.00	11.50	575	6944842	
	CAPT3131*4A*+EEP		17,400	13,300	13.00	11.00	650	5611304	
	CAPT3131*4A*+MBVC1200**-1A*		17,400	13,300	14.00	11.50	650	5611305	
	CHPF1824A6C*+EEP		17,800	13,600	13.00	11.00	650	5039752	
	CHPF2430B6C*	G*E80603B*B*	18,000	13,700	14.00	11.50	640	5039754	
	CHPF2430B6C*	A*VC80604B*B*	17,700	13,500	14.00	11.50	660	5039796	
	CHPF2430B6C*	G*VC80604B*B*	17,700	13,500	14.00	11.50	660	5039798	
	CHPF2430B6C*	G*VC950453BXB*	18,200	13,900	14.00	11.50	650	5620942	
	CHPF2430B6C*	G*VM960603BXB*	18,200	13,900	14.00	11.50	675	5620946	
	CHPF2430B6C*	GME950403BXA*	18,400	14,000	14.00	11.60	600	6497534	
	CHPF2430B6C*	A*VM960603BXB*	18,400	14,000	14.00	11.60	600	6497533	
	CHPF2430B6C*	A*VC950453BXB*	18,400	14,000	14.00	11.60	600	6497532	
	CHPF2430B6C*	A*EH800603B*A*	18,000	13,700	14.00	11.50	640	6944845	
	CHPF2430B6C*	AMEH960403BXA*	18,400	14,000	14.00	11.60	600	6944848	
	CHPF2430B6C*+EEP		17,800	13,600	13.00	11.00	650	5039758	
	CHPF2430B6C*+MBVC1200**-1A*		18,200	13,900	14.00	11.50	650	5039759	
	GSX13 0241D*	CSCF1824N6D*	A*VC80604B*B*	17,700	13,500	14.00	11.50	660	5039800
		CSCF1824N6D*	G*VC80604B*B*	17,700	13,500	14.00	11.50	660	5039801
CSCF1824N6D*		G*E80603B*B*	18,000	13,700	14.00	11.50	640	5039760	
CSCF1824N6D*		G*VM960603BXB*	18,200	13,900	14.00	11.50	670	5620947	
CSCF1824N6D*		G*VC950453BXB*	18,200	13,900	14.00	11.50	650	5620943	
CSCF1824N6D*		A*VC950453BXB*	18,000	13,700	14.00	11.60	650	6497535	
CSCF1824N6D*		A*EH800603B*A*	18,000	13,700	14.00	11.50	640	6944850	
CSCF1824N6D*+EEP			17,800	13,600	13.00	11.00	650	5039763	
ACNF24XX16D*			22,400	16,500	13.00	11.00	770	4699979	
ACNF30XX16D*			22,600	16,600	13.00	11.00	845	5624657	
ARPT24B14A*			22,400	16,500	13.00	11.00	800	5360108	
ARUF24B14B*			22,000	16,200	13.00	11.00	800	5647169	
ARUF24B14B*+TXV		22,000	16,200	13.00	11.00	800	5647170		
ASPT24B14A*		23,000	16,900	13.80	11.80	810	5722527		
ASPT30C14A*		23,400	17,200	14.00	12.00	845	5722528		
ASUF29B14A*		23,000	16,900	13.50	11.50	810	5722526		
ASUF29B14A*+TXV		23,000	16,900	13.80	11.80	810	5722565		
AVPTC24B14A*		22,600	16,600	14.00	12.00	800	5924453		
AVPTC30C14A*		23,400	17,200	14.00	12.00	780	5924454		
AWUF24XX16B*		23,000	16,900	13.00	11.00	800	4699990		
AWUF30XX16B*		23,200	17,100	13.00	11.00	800	4699991		
AWUF31XX16A*		23,000	16,900	14.00	11.30	800	4699992		
AWUF32XX16A*		23,000	16,900	14.00	11.30	800	4699993		
CA*F1824*6D*	G*E80603B*B*	23,000	16,900	14.00	11.50	860	5038902		
CA*F1824*6D*	G*VC950704CXB*	23,000	16,900	14.00	11.50	800	5620950		
CA*F1824*6D*	G*VM960603BXB*	23,000	16,900	14.00	11.50	800	5620951		
CA*F1824*6D*	GME950403BXA*	23,000	16,900	14.00	11.60	800	6497541		
CA*F1824*6D*	A*VM960603BXB*	23,000	16,900	14.00	11.60	800	6497539		
CA*F1824*6D*	A*VC950704CXB*	23,000	16,900	14.00	11.60	800	6497538		
CA*F1824*6D*	GME950603BXA*	22,800	16,800	13.80	11.50	800	6497542		
CA*F1824*6D*	G*VC80604B*B*	23,000	16,900	14.00	11.60	820	6497540		

See Notes on Page 38.

AHRI RATINGS (CONT.)

OUTDOOR UNIT	INDOOR UNITS		COOLING RATINGS				CFM	AHRI #
	COILS/AIR HANDLERS	FURNACES	TOTAL ¹	SENS. ¹	SEER ²	EER ³		
GSX13 0241D*	CA*F1824*6D*	A*VC950453BXB*	23,000	16,900	14.00	11.60	800	6497537
	CA*F1824*6D*	G*VC950453BXB*	23,000	16,900	14.00	11.50	800	5620948
	CA*F1824*6D*	A*VC80604B*B*	23,000	16,900	14.00	11.60	820	6497536
	CA*F1824*6D*	A*EH800603B*A*	23,000	16,900	14.00	11.50	860	6944853
	CA*F1824*6D*	AMEH960403BXA*	23,000	16,900	14.00	11.60	800	6944856
	CA*F1824*6D*	AMEH960603BXA*	22,800	16,800	13.80	11.50	800	6944858
	CA*F1824*6D*+EEP		23,000	16,900	13.00	11.00	800	4700003
	CA*F1824*6D*+MBVC1200**,-1A*		23,000	16,900	14.00	11.50	800	4700004
	CA*F3030*6D*+EEP		23,000	16,900	13.00	11.00	800	5561907
	CA*F3030*6D*+EEP+TXV		23,000	16,900	13.00	11.00	800	5581978
	CA*F3131*6D*+EEP		23,000	16,900	13.00	11.00	800	5561908
	CA*F3131*6D*+EEP+TXV		23,000	16,900	13.00	11.00	800	5561909
	CA*F3636*6D*+EEP		23,000	16,900	13.00	11.00	800	5561910
	CA*F3636*6D*+EEP+TXV		23,000	16,900	13.00	11.00	800	5561911
	CAPT3131*4A*	A*VC950453BXB*	23,000	16,900	14.00	11.50	800	5948632
	CAPT3131*4A*	A*VM960603BXB*	23,000	16,900	14.00	11.50	820	5948638
	CAPT3131*4A*	A*VM960604CXB*	23,000	16,900	14.00	11.50	800	5948640
	CAPT3131*4A*	G*VC80604B*B*	23,000	16,900	14.00	11.50	830	5948646
	CAPT3131*4A*	G*VC950704CXB*	23,000	16,900	14.00	11.50	800	5948650
	CAPT3131*4A*	G*VM960603BXB*	23,000	16,900	14.00	11.50	820	5948654
	CAPT3131*4A*	A*VC950714CXB*	23,000	16,900	14.00	11.50	800	5948636
	CAPT3131*4A*	G*VM960604CXB*	23,000	16,900	14.00	11.50	800	5948656
	CAPT3131*4A*	G*E80603B*B*	23,000	16,900	14.00	11.50	800	5948644
	CAPT3131*4A*	G*VC950453BXB*	23,000	16,900	14.00	11.50	800	5948648
	CAPT3131*4A*	A*VC950704CXB*	23,000	16,900	14.00	11.50	800	5948634
	CAPT3131*4A*	GME950403BXA*	23,000	16,900	14.00	11.50	800	5948658
	CAPT3131*4A*	GME950603BXA*	23,000	16,900	14.00	11.50	800	5948660
	CAPT3131*4A*	A*VC80604B*B*	23,000	16,900	14.00	11.50	830	5948630
	CAPT3131*4A*	ADV80603B*B*	23,000	16,900	14.00	11.50	800	5948642
	CAPT3131*4A*	G*VC950714CXB*	23,000	16,900	14.00	11.50	800	5948652
	CAPT3131*4A*	A*EH800603B*A*	23,000	16,900	14.00	11.50	800	6944860
	CAPT3131*4A*	AMEH960403BXA*	23,000	16,900	14.00	11.50	800	6944863
	CAPT3131*4A*	AMEH960603BXA*	23,000	16,900	14.00	11.50	800	6944866
	CAPT3131*4A*+EEP		22,800	16,800	13.00	11.00	800	5611334
CAPT3131*4A*+MBVC1200**,-1A*		22,800	16,800	14.00	11.50	800	5611335	
CHPF1824A6C*+EEP		23,000	16,900	13.00	11.00	800	4700005	
CHPF2430B6C*	G*E80603B*B*	23,000	16,900	14.00	11.50	860	5039075	
CHPF2430B6C*	G*VM960603BXB*	23,400	17,200	14.00	11.50	800	5620952	
CHPF2430B6C*	A*VC950453BXB*	23,400	17,200	14.00	11.60	800	6497543	
CHPF2430B6C*	GME950403BXA*	23,400	17,200	14.00	11.60	800	6497545	
CHPF2430B6C*	A*VM960603BXB*	23,400	17,200	14.00	11.60	800	6497544	
CHPF2430B6C*	G*VC950453BXB*	23,400	17,200	14.00	11.50	800	5620949	
CHPF2430B6C*	A*EH800603B*A*	23,000	16,900	14.00	11.50	860	6944869	
CHPF2430B6C*	AMEH960403BXA*	23,400	17,200	14.00	11.60	800	6944872	
CHPF2430B6C*+EEP		23,000	16,900	13.00	11.00	800	4700009	
CHPF2430B6C*+MBVC1200**,-1A*		23,400	17,200	14.00	11.50	800	4700010	
CSCF1824N6D*	A*VC950453BXB*	23,000	16,900	14.00	11.60	800	6497546	
CSCF1824N6D*+EEP		23,000	16,900	13.00	11.00	800	6497547	

See Notes on Page 38.

AHRI RATINGS (CONT.)

OUTDOOR UNIT	INDOOR UNITS		COOLING RATINGS				CFM	AHRI #
	COILS/AIR HANDLERS	FURNACES	TOTAL ¹	SENS. ¹	SEER ²	EER ³		
GSX13	ACNF30XX16D*		27,600	20,800	13.00	11.00	890	4689680
0301B*	ARPT30B14A*		27,000	20,400	13.00	11.00	900	5383473
	ARUF30B14A*		27,000	20,400	13.00	11.00	900	5383471
	ARUF30B14A*+TXV		27,000	20,400	13.00	11.00	900	5383474
	ARUF36C14B*		27,200	20,600	13.00	11.00	1,000	5647171
	ARUF36C14B*+TXV		27,200	20,600	13.50	11.50	1,000	5647172
	ASPT36C14A*		28,000	21,200	14.00	12.00	1,010	5722534
	ASUF29B14A*		26,000	19,600	13.30	11.30	975	5722732
	ASUF39C14A*		28,000	21,200	13.50	11.50	1,005	5722532
	ASUF39C14A*+TXV		28,000	21,200	14.00	12.00	1,005	5722533
	AVPTC36C14A*		28,000	21,200	14.00	12.00	1,015	5924443
	AWUF30XX16B*		27,600	20,800	13.00	11.00	1,000	3287812
	AWUF36XX16B*		27,800	21,000	13.00	11.00	1,000	3287813
	AWUF37XX16B*		28,000	21,200	13.00	11.00	1,000	3287814
	CA*F3030*6D*	GME950403BXA*	28,400	21,400	14.00	11.50	1,000	4701045
	CA*F3030*6D*	GME950603BXA*	28,200	21,200	13.50	11.30	1,000	4703492
	CA*F3030*6D*	A*VC950714CXB*	28,400	21,400	14.00	11.50	1,000	5620959
	CA*F3030*6D*	G*VM960603BXB*	28,400	21,400	14.00	11.50	1,000	5620963
	CA*F3030*6D*	G*VC950453BXB*	28,400	21,400	14.00	11.50	1,000	5620953
	CA*F3030*6D*	G*VM960604CXB*	28,400	21,400	14.00	11.50	1,000	5620967
	CA*F3030*6D*	G*VC950714CXB*	28,400	21,400	14.00	11.50	1,000	5620960
	CA*F3030*6D*	A*VM960604CXB*	28,400	21,400	14.00	11.50	1,000	5620966
	CA*F3030*6D*	A*VC950453BXB*	28,400	21,400	14.00	11.50	1,000	6497549
	CA*F3030*6D*	A*VC80604B*B*	28,200	21,200	13.50	11.30	1,050	6497548
	CA*F3030*6D*	A*VM960603BXB*	28,400	21,400	14.00	11.50	1,000	6497551
	CA*F3030*6D*	ADVC80603B*B*	28,000	21,200	13.50	11.30	1,050	6497552
	CA*F3030*6D*	A*VC950704CXB*	28,400	21,400	14.00	11.50	1,000	6497550
	CA*F3030*6D*	G*VC950704CXB*	28,400	21,400	14.00	11.50	1,000	5620957
	CA*F3030*6D*	G*VC80604B*B*	28,200	21,200	13.50	11.30	1,050	6497553
	CA*F3030*6D*	AMEH960403BXA*	28,400	21,400	14.00	11.50	1,000	6944873
	CA*F3030*6D*	AMEH960603BXA*	28,200	21,200	13.50	11.30	1,000	6944874
	CA*F3030*6D*+EEP		28,400	21,400	13.00	11.00	1,050	4355516
	CA*F3131*6D*	GME950403BXA*	28,600	21,600	14.00	11.50	1,000	4701047
	CA*F3131*6D*	GME950603BXA*	28,400	21,400	13.50	11.30	1,000	4703496
	CA*F3131*6D*	A*VM960604CXB*	28,600	21,600	14.00	11.50	1,050	5620968
	CA*F3131*6D*	G*VM960603BXB*	28,600	21,600	14.00	11.50	1,000	5620964
	CA*F3131*6D*	G*VM960604CXB*	28,600	21,600	14.00	11.50	1,050	5620969
	CA*F3131*6D*	G*VC950714CXB*	28,600	21,600	14.00	11.50	1,050	5620962
	CA*F3131*6D*	A*VC950714CXB*	28,600	21,600	14.00	11.50	1,050	5620961
	CA*F3131*6D*	G*VC950704CXB*	28,400	21,400	14.00	11.50	900	5620958
	CA*F3131*6D*	G*VC950453BXB*	28,600	21,600	14.00	11.50	1,000	5620954
	CA*F3131*6D*	G*VC80604B*B*	28,200	21,200	13.50	11.50	1,050	6497559
	CA*F3131*6D*	A*VC80604B*B*	28,200	21,200	13.50	11.50	1,050	6497554
	CA*F3131*6D*	A*VC950704CXB*	28,400	21,400	14.00	11.50	900	6497556
	CA*F3131*6D*	A*VM960603BXB*	28,600	21,600	14.00	11.50	1,000	6497557
	CA*F3131*6D*	A*VC950453BXB*	28,600	21,600	14.00	11.50	1,000	6497555
	CA*F3131*6D*	ADVC80603B*B*	28,000	21,200	13.50	11.50	1,050	6497558
	CA*F3131*6D*	AMEH960403BXA*	28,600	21,600	14.00	11.50	1,000	6944875
	CA*F3131*6D*	AMEH960603BXA*	28,400	21,400	13.50	11.30	1,000	6944876
	CA*F3131*6D*+EEP		28,600	21,600	13.00	11.00	1,050	4385558

See Notes on Page 38.

AHRI RATINGS (CONT.)

OUTDOOR UNIT	INDOOR UNITS		COOLING RATINGS				CFM	AHRI #
	COILS/AIR HANDLERS	FURNACES	TOTAL ¹	SENS. ¹	SEER ²	EER ³		
GSX13 0301B*	CA*F3131*6D*+MBVC1200**-1A*		28,400	21,400	14.00	11.50	950	4385559
	CA*F3636*6D*+EEP		28,400	21,400	13.00	11.00	1,000	5561912
	CA*F3636*6D*+EEP+TXV		28,400	21,400	13.00	11.00	1,000	5561913
	CA*F3642*6D*+EEP		28,400	21,400	13.00	11.00	1,000	5561914
	CA*F3642*6D*+EEP+TXV		28,400	21,400	13.00	11.00	1,000	5561915
	CA*F3743*6D*+EEP		28,400	21,400	13.50	11.00	1,000	5581982
	CA*F3743*6D*+EEP+TXV		28,400	21,400	13.50	11.00	1,000	5581983
	CAPT3743*4A*	A*VC950905CXB*	28,200	21,200	14.00	12.00	985	6494152
	CAPT3743*4A*	A*VM961005DXB*	28,200	21,200	14.00	12.00	980	6494160
	CAPT3743*4A*	A*VC80805C*B*	28,200	21,200	14.00	12.00	980	6494147
	CAPT3743*4A*	A*VC950704CXB*	28,200	21,200	13.50	11.50	1,020	6494150
	CAPT3743*4A*	A*VC950905DXB*	28,200	21,200	14.00	12.00	985	6494153
	CAPT3743*4A*	ADVC80805C*B*	28,000	21,200	14.00	12.00	990	6494163
	CAPT3743*4A*	G*VC80805C*B*	28,200	21,200	14.00	12.00	980	6494193
	CAPT3743*4A*	G*VC80604B*B*	28,200	21,200	14.00	12.00	1,000	6494192
	CAPT3743*4A*	G*VM960604CXB*	28,200	21,200	13.50	11.50	1,040	6494203
	CAPT3743*4A*	A*VC950453BXB*	28,200	21,200	13.50	11.50	1,000	6494149
	CAPT3743*4A*	A*VC951155DXB*	28,200	21,200	14.00	12.00	1,005	6494155
	CAPT3743*4A*	A*VM960603BXB*	28,200	21,200	13.50	11.50	1,010	6494156
	CAPT3743*4A*	A*VM960604CXB*	28,200	21,200	13.50	11.50	1,040	6494157
	CAPT3743*4A*	A*VM960805DXB*	28,200	21,200	14.00	12.00	1,000	6494159
	CAPT3743*4A*	GME950603BXA*	28,200	21,200	13.50	11.50	1,000	6494167
	CAPT3743*4A*	G*VC950453BXB*	28,200	21,200	13.50	11.50	1,000	6494195
	CAPT3743*4A*	G*VC950915DXB*	28,200	21,200	14.00	12.00	1,005	6494200
	CAPT3743*4A*	G*VM960603BXB*	28,200	21,200	13.50	11.50	1,010	6494202
	CAPT3743*4A*	G*VC81005C*B*	28,200	21,200	14.00	12.00	1,000	6494194
	CAPT3743*4A*	G*VC951155DXB*	28,200	21,200	14.00	12.00	1,005	6494201
	CAPT3743*4A*	G*VM960805CXB*	28,200	21,200	14.00	12.00	985	6494204
	CAPT3743*4A*	G*VM960805DXB*	28,200	21,200	14.00	12.00	1,000	6494205
	CAPT3743*4A*	G*VM961155DXB*	28,200	21,200	14.00	12.00	1,000	6494207
	CAPT3743*4A*	A*VC950714CXB*	28,200	21,200	13.50	11.50	1,050	6494151
	CAPT3743*4A*	A*VM961155DXB*	28,200	21,200	14.00	12.00	1,000	6494161
	CAPT3743*4A*	ADVC81005C*B*	28,000	21,200	14.00	12.00	1,010	6494164
	CAPT3743*4A*	G*VC950704CXB*	28,200	21,200	13.50	11.50	1,020	6494196
	CAPT3743*4A*	A*VC80604B*B*	28,200	21,200	14.00	12.00	1,000	6494146
	CAPT3743*4A*	A*VM960805CXB*	28,200	21,200	14.00	12.00	985	6494158
	CAPT3743*4A*	G*VM961005DXB*	28,200	21,200	14.00	12.00	980	6494206
	CAPT3743*4A*	A*VC950915DXB*	28,200	21,200	14.00	12.00	1,005	6494154
	CAPT3743*4A*	ADVC80603B*B*	28,000	21,200	13.50	11.50	1,000	6494162
	CAPT3743*4A*	GME950403BXA*	28,200	21,200	13.50	11.50	1,000	6494166
	CAPT3743*4A*	G*VC950714CXB*	28,200	21,200	13.50	11.50	1,050	6494197
	CAPT3743*4A*	G*VC950905CXB*	28,200	21,200	14.00	12.00	985	6494198
CAPT3743*4A*	A*VC81005C*B*	28,200	21,200	14.00	12.00	1,000	6494148	
CAPT3743*4A*	G*E80603B*B*	28,200	21,200	13.50	11.50	1,050	6494165	
CAPT3743*4A*	G*VC950905DXB*	28,200	21,200	14.00	12.00	985	6494199	
CAPT3743*4A*	A*EH800603B*A*	28,200	21,200	13.50	11.50	1,050	6944877	
CAPT3743*4A*	AMEH960403BXA*	28,200	21,200	13.50	11.50	1,000	6944879	
CAPT3743*4A*	AMEH960603BXA*	28,200	21,200	13.50	11.50	1,000	6944881	
CAPT3743*4A*+EEP		28,200	21,200	13.00	11.00	1,000	5611306	
CAPT3743*4A*+MBVC1200**-1A*		28,000	21,200	14.00	11.50	900	6494168	

See Notes on Page 38.

AHRI RATINGS (CONT.)

OUTDOOR UNIT	INDOOR UNITS		COOLING RATINGS				CFM	AHRI #
	COILS/AIR HANDLERS	FURNACES	TOTAL ¹	SENS. ¹	SEER ²	EER ³		
GSX13 0301B*	CAPT3743*4A*+MBVC1600**-.1A*		28,200	21,200	14.00	11.50	1,000	5611307
	CHPF2430B6C*	GME950403BXA*	28,400	21,400	14.00	11.50	1,000	4701102
	CHPF2430B6C*	G*VM960604CXB*	28,400	21,400	14.00	11.50	1,000	5620971
	CHPF2430B6C*	A*VM960604CXB*	28,400	21,400	14.00	11.50	1,000	5620970
	CHPF2430B6C*	G*VC950453BXB*	28,400	21,400	14.00	11.50	1,000	5620955
	CHPF2430B6C*	G*VM960603BXB*	28,400	21,400	14.00	11.50	1,000	5620965
	CHPF2430B6C*	A*VM960603BXB*	28,400	21,400	14.00	11.50	1,000	6497561
	CHPF2430B6C*	A*VC950453BXB*	28,400	21,400	14.00	11.50	1,000	6497560
	CHPF2430B6C*	AMEH960403BXA*	28,400	21,400	14.00	11.50	1,000	6944883
	CHPF2430B6C*+EEP		28,400	21,400	13.00	11.00	1,050	3299982
	CHPF2430B6C*+MBVC1200**-.1A*		28,400	21,400	14.00	11.50	1,050	3609438
	CSCF3036N6D*	G*VC950453BXB*	28,400	21,400	14.00	11.30	1,000	5620956
	CSCF3036N6D*	A*VC950453BXB*	28,400	21,400	14.00	11.30	1,000	6497562
	CSCF3036N6D*+EEP		28,400	21,400	13.00	11.00	1,000	4767411
GSX13 0361E*	ARPT36C14A*		33,000	25,800	13.00	11.00	1,150	5696616
	ARPT42D14A*		34,200	26,600	13.50	11.30	1,150	5696617
	ARUF36C14B*		33,000	25,800	13.00	11.00	1,000	5696620
	ARUF36C14B*+TXV		34,000	26,400	13.00	11.00	1,165	5696621
	ARUF42C14A*		34,200	26,600	13.00	11.00	1,150	5696622
	ARUF42C14A*+TXV		34,200	26,600	13.00	11.00	1,150	5696623
	ASPT36C14A*		34,000	26,400	13.80	11.80	1,210	5722540
	ASPT42D14A*		34,600	27,000	14.00	12.00	1,280	5722541
	ASUF39C14A*		34,000	26,400	13.50	11.50	1,210	5722538
	ASUF39C14A*+TXV		34,000	26,400	13.80	11.80	1,210	5722539
	AVPTC36C14A*		34,000	26,400	13.80	11.80	1,215	5924444
	AVPTC42D14A*		34,600	27,000	14.00	12.00	1,225	5924445
	AWUF36XX16B*		33,400	26,000	13.00	11.00	1,150	5696626
	AWUF37XX16B*		33,600	26,200	13.00	11.00	1,150	5696627
	CA*F3636*6D*	A*VC950915DXB*	33,600	26,200	13.50	11.30	1,220	5696631
	CA*F3636*6D*	G*VM960604CXB*	33,600	26,200	13.50	11.30	1,155	5696687
	CA*F3636*6D*	A*VC950714CXB*	33,600	26,200	13.50	11.30	1,135	5696713
	CA*F3636*6D*	G*VM960805DXB*	33,600	26,200	13.50	11.30	1,220	5696695
	CA*F3636*6D*	G*VM961005DXB*	33,600	26,200	13.50	11.30	1,205	5696699
	CA*F3636*6D*	G*VM961155DXB*	33,600	26,200	13.50	11.30	1,205	5696719
	CA*F3636*6D*	G*VC950714CXB*	33,600	26,200	13.50	11.30	1,135	5696711
	CA*F3636*6D*	G*VC950905DXB*	33,600	26,200	13.50	11.30	1,150	5696703
	CA*F3636*6D*	G*VM960805CXB*	33,600	26,200	13.50	11.30	1,150	5696707
	CA*F3636*6D*	G*VC950915DXB*	33,600	26,200	13.50	11.30	1,220	5696628
	CA*F3636*6D*	A*VM960604CXB*	33,600	26,200	13.50	11.30	1,155	5696634
	CA*F3636*6D*	G*VC950905CXB*	33,600	26,200	13.50	11.30	1,150	5696691
	CA*F3636*6D*	G*VC951155DXB*	33,600	26,200	13.50	11.30	1,205	5696715
	CA*F3636*6D*+EEP		33,600	26,200	13.00	11.00	1,200	5696608
	CA*F3642*6D*	G*VC950714CXB*	34,000	26,400	14.00	11.50	1,160	5696638
	CA*F3642*6D*	G*VM961005DXB*	34,000	26,400	14.00	11.50	1,205	5696700
	CA*F3642*6D*	G*VM960805DXB*	34,000	26,400	14.00	11.50	1,225	5696696
	CA*F3642*6D*	G*VC950905DXB*	34,000	26,400	14.00	11.50	1,165	5696704
CA*F3642*6D*	G*VM960805CXB*	34,000	26,400	14.00	11.50	1,165	5696708	
CA*F3642*6D*	A*VC950915DXB*	34,000	26,400	14.00	11.50	1,225	5696632	
CA*F3642*6D*	G*VC951155DXB*	34,000	26,400	14.00	11.50	1,210	5696716	
CA*F3642*6D*	G*VC950915DXB*	34,000	26,400	14.00	11.50	1,225	5696629	

See Notes on Page 38.

AHRI RATINGS (CONT.)

OUTDOOR UNIT	INDOOR UNITS		COOLING RATINGS				CFM	AHRI #
	COILS/AIR HANDLERS	FURNACES	TOTAL ¹	SENS. ¹	SEER ²	EER ³		
GSX13 0361E*	CA*F3642*6D*	G*VC950905CXB*	34,000	26,400	14.00	11.50	1,165	5696692
	CA*F3642*6D*	A*VC950714CXB*	34,000	26,400	14.00	11.50	1,160	5696639
	CA*F3642*6D*	G*VM960604CXB*	34,000	26,400	14.00	11.50	1,165	5696688
	CA*F3642*6D*	G*VM961155DXB*	34,000	26,400	14.00	11.50	1,210	5696720
	CA*F3642*6D*	A*VM960604CXB*	34,000	26,400	14.00	11.50	1,165	5696635
	CA*F3642*6D*+EEP		33,600	26,200	13.00	11.00	1,200	5696609
	CA*F3642*6D*+MBVC1600**-1A*		34,000	26,400	14.00	11.50	1,200	5696640
	CA*F3743*6D*	G*VC950915DXB*	34,000	26,400	14.00	11.50	1,225	5696630
	CA*F3743*6D*	G*VC950714CXB*	34,000	26,400	14.00	11.50	1,165	5696712
	CA*F3743*6D*	G*VC950905DXB*	34,000	26,400	14.00	11.50	1,090	5696705
	CA*F3743*6D*	A*VC950714CXB*	34,000	26,400	14.00	11.50	1,165	5696714
	CA*F3743*6D*	G*VC951155DXB*	34,000	26,400	14.00	11.50	1,210	5696717
	CA*F3743*6D*	G*VM961155DXB*	34,000	26,400	14.00	11.50	1,210	5696721
	CA*F3743*6D*	A*VM960604CXB*	34,000	26,400	14.00	11.50	1,170	5696636
	CA*F3743*6D*	G*VC950905CXB*	34,000	26,400	14.00	11.50	1,185	5696693
	CA*F3743*6D*	G*VM960604CXB*	34,000	26,400	14.00	11.50	1,170	5696689
	CA*F3743*6D*	G*VM960805DXB*	34,000	26,400	14.00	11.50	1,225	5696697
	CA*F3743*6D*	G*VM960805CXB*	34,000	26,400	14.00	11.50	1,185	5696709
	CA*F3743*6D*	A*VC950915DXB*	34,000	26,400	14.00	11.50	1,225	5696633
	CA*F3743*6D*	G*VM961005DXB*	34,000	26,400	14.00	11.50	1,210	5696701
	CA*F3743*6D*+EEP		34,200	26,600	13.00	11.00	1,200	5696610
	CA*F3743*6D*+EEP+TXV		34,200	26,600	13.50	11.00	1,200	5696611
	CA*F3743*6D*+MBVC1600**-1A*		34,000	26,400	14.00	11.50	1,210	5696641
	CAPT3743*4A*	A*VC81005C*B*	34,000	26,400	13.50	11.50	1,210	6494227
	CAPT3743*4A*	A*VC950704CXB*	34,000	26,400	13.00	11.00	1,220	6494228
	CAPT3743*4A*	A*VM961155DXB*	34,000	26,400	13.50	11.50	1,200	6494239
	CAPT3743*4A*	G*E80805C*B*	34,000	26,400	13.50	11.50	1,210	6494244
	CAPT3743*4A*	A*VC80604B*B*	34,000	26,400	13.50	11.50	1,220	6494225
	CAPT3743*4A*	ADVC80603B*B*	34,000	26,400	13.50	11.50	1,165	6494240
	CAPT3743*4A*	G*VC81005C*B*	34,000	26,400	13.50	11.50	1,210	6494279
	CAPT3743*4A*	G*VC950905DXB*	34,000	26,400	13.50	11.50	1,170	6494283
	CAPT3743*4A*	G*VM960603BXB*	34,000	26,400	13.00	11.00	1,220	6494286
	CAPT3743*4A*	G*VM960604CXB*	34,000	26,400	13.50	11.50	1,250	6494287
	CAPT3743*4A*	G*VM960805CXB*	34,000	26,400	13.50	11.50	1,175	6494288
	CAPT3743*4A*	G*VM961005DXB*	34,000	26,400	13.50	11.50	1,170	6494290
	CAPT3743*4A*	ADVC81005C*B*	34,000	26,400	13.50	11.50	1,235	6494242
	CAPT3743*4A*	G*E80603B*B*	34,000	26,400	13.00	11.00	1,150	6494243
	CAPT3743*4A*	G*E81005C*B*	34,000	26,400	13.50	11.50	1,230	6494245
	CAPT3743*4A*	GME950603BXA*	33,400	26,000	13.00	11.00	1,100	6494247
	CAPT3743*4A*	G*VC950704CXB*	34,000	26,400	13.00	11.00	1,220	6494280
	CAPT3743*4A*	A*VM960603BXB*	34,000	26,400	13.00	11.00	1,220	6494234
	CAPT3743*4A*	A*VM960604CXB*	34,000	26,400	13.50	11.50	1,250	6494235
CAPT3743*4A*	A*VM960805CXB*	34,000	26,400	13.50	11.50	1,175	6494236	
CAPT3743*4A*	ADVC80805C*B*	34,000	26,400	13.50	11.50	1,190	6494241	
CAPT3743*4A*	GME950403BXA*	34,000	26,400	13.00	11.00	1,150	6494246	
CAPT3743*4A*	A*VC80805C*B*	34,000	26,400	13.50	11.50	1,190	6494226	
CAPT3743*4A*	A*VC950714CXB*	34,000	26,400	13.50	11.50	1,250	6494229	
CAPT3743*4A*	A*VC950905DXB*	34,000	26,400	13.50	11.50	1,170	6494231	
CAPT3743*4A*	A*VM960805DXB*	34,000	26,400	13.50	11.50	1,175	6494237	
CAPT3743*4A*	G*VC950905CXB*	34,000	26,400	13.50	11.50	1,170	6494282	

See Notes on Page 38.

AHRI RATINGS (CONT.)

OUTDOOR UNIT	INDOOR UNITS		COOLING RATINGS				CFM	AHRI #
	COILS/AIR HANDLERS	FURNACES	TOTAL ¹	SENS. ¹	SEER ²	EER ³		
GSX13 0361E*	CAPT3743*4A*	A*VM961005DXB*	34,000	26,400	13.50	11.50	1,170	6494238
	CAPT3743*4A*	GME950805CXA*	33,400	26,000	13.50	11.50	1,090	6494248
	CAPT3743*4A*	G*VM960805DXB*	34,000	26,400	13.50	11.50	1,175	6494289
	CAPT3743*4A*	A*VC950905CXB*	34,000	26,400	13.50	11.50	1,170	6494230
	CAPT3743*4A*	A*VC950915DXB*	34,000	26,400	13.50	11.50	1,210	6494232
	CAPT3743*4A*	G*VC80604B*B*	34,000	26,400	13.50	11.50	1,220	6494277
	CAPT3743*4A*	G*VC950714CXB*	34,000	26,400	13.50	11.50	1,250	6494281
	CAPT3743*4A*	G*VC950915DXB*	34,000	26,400	13.50	11.50	1,210	6494284
	CAPT3743*4A*	G*VC951155DXB*	34,000	26,400	13.50	11.50	1,200	6494285
	CAPT3743*4A*	A*VC951155DXB*	34,000	26,400	13.50	11.50	1,200	6494233
	CAPT3743*4A*	GME951005DXA*	34,000	26,400	13.50	11.50	1,250	6494249
	CAPT3743*4A*	G*VC80805C*B*	34,000	26,400	13.50	11.50	1,190	6494278
	CAPT3743*4A*	G*VM961155DXB*	34,000	26,400	13.50	11.50	1,200	6494291
	CAPT3743*4A*	A*EH800603B*A*	34,000	26,400	13.00	11.00	1,150	6944884
	CAPT3743*4A*	A*EH800805C*A*	34,000	26,400	13.50	11.50	1,210	6944886
	CAPT3743*4A*	A*EH801005C*A*	34,000	26,400	13.50	11.50	1,230	6944888
	CAPT3743*4A*	AMEH960403BXA*	34,000	26,400	13.00	11.00	1,150	6944890
	CAPT3743*4A*	AMEH960603BXA*	33,400	26,000	13.00	11.00	1,100	6944892
	CAPT3743*4A*	AMEH960805CXA*	33,400	26,000	13.50	11.50	1,090	6944894
	CAPT3743*4A*	AMEH961005DXA*	34,000	26,400	13.50	11.50	1,250	6944896
	CAPT3743*4A*+EEP		34,000	26,400	13.00	11.00	1,200	5696612
	CAPT3743*4A*+MBVC1200**-1A*		34,000	26,400	13.00	11.50	1,200	6494250
	CAPT3743*4A*+MBVC1600**-1A*		34,000	26,400	14.00	11.50	1,205	5696642
	CAPT3743*4A*+MBVC2000**-1A*		34,000	26,400	14.00	11.50	1,205	5696644
	CHPF3636B6C*+EEP		34,000	26,400	13.00	11.00	1,200	5696613
	CHPF3642C6C*+EEP		34,000	26,400	13.00	11.00	1,200	5696614
	CHPF3642C6C*+MBVC1600**-1A*		34,000	26,400	14.00	11.50	1,210	5696643
	CHPF3642D6C*	G*VC950905CXB*	33,600	26,200	14.00	11.50	1,170	5696694
	CHPF3642D6C*	G*VM961155DXB*	33,600	26,200	14.00	11.50	1,210	5696722
	CHPF3642D6C*	G*VM960604CXB*	33,600	26,200	14.00	11.50	1,170	5696690
	CHPF3642D6C*	G*VC951155DXB*	33,600	26,200	14.00	11.50	1,210	5696718
	CHPF3642D6C*	A*VM960604CXB*	33,600	26,200	14.00	11.50	1,170	5696637
	CHPF3642D6C*	G*VM960805DXB*	33,600	26,200	14.00	11.50	1,225	5696698
CHPF3642D6C*	G*VC950905DXB*	33,600	26,200	14.00	11.50	1,105	5696706	
CHPF3642D6C*	G*VM960805CXB*	33,600	26,200	14.00	11.50	1,170	5696710	
CHPF3642D6C*	G*VM961005DXB*	33,600	26,200	14.00	11.50	1,210	5696702	
CHPF3642D6C*+EEP		34,000	26,400	13.00	11.00	1,200	5696615	
GSX13 0421B*	ARPT42D14A*		40,000	30,600	13.00	11.00	1,280	5360115
	ARPT48D14A*		40,500	31,000	13.50	11.50	1,280	5378541
	ARUF42C14A*		39,500	30,200	13.00	11.00	1,280	5360116
	ARUF42C14A*+TXV		39,500	30,200	13.00	11.00	1,280	5378539
	ARUF48D14A*		39,500	30,200	13.00	11.00	1,350	5378540
	ASPT42D14A*		40,500	31,000	14.00	12.00	1,385	5722552
	ASUF39C14A*		38,500	29,600	13.50	11.50	1,435	5722550
	ASUF39C14A*+TXV		38,500	29,600	13.80	11.80	1,435	5722551
	ASUF49C14A*		39,500	30,200	13.50	11.50	1,310	5620421
	ASUF49C14A*+TXV		39,500	30,200	13.80	11.70	1,310	5620404
	AVPTC42D14A*		40,500	31,000	14.00	12.00	1,495	5924343
	CA*F3642*6D*	G*E80805C*B*	40,000	30,600	13.00	11.30	1,350	5038971
	CA*F3642*6D*	A*EH800805C*A*	40,000	30,600	13.00	11.30	1,350	6944898

See Notes on Page 38.

AHRI RATINGS (CONT.)

OUTDOOR UNIT	INDOOR UNITS		COOLING RATINGS				CFM	AHRI #
	COILS/AIR HANDLERS	FURNACES	TOTAL ¹	SENS. ¹	SEER ²	EER ³		
GSX13 0421B*	CA*F3642*6D*+EEP		40,000	30,600	13.00	11.00	1,400	4946292
	CA*F3642*6D*+EEP+TXV		40,000	30,600	13.00	11.00	1,400	5561917
	CA*F3743*6D*	G*E80805C*B*	40,000	30,600	13.00	11.30	1,350	5039232
	CA*F3743*6D*	A*EH800805C*A*	40,000	30,600	13.00	11.30	1,350	6944900
	CA*F3743*6D*+EEP		40,000	30,600	13.00	11.00	1,400	4415025
	CA*F4860*6D*	GME950805CXA*	40,500	31,000	14.00	11.30	1,400	4703730
	CA*F4860*6D*	G*E80805C*B*	41,000	31,400	13.50	11.50	1,510	5039124
	CA*F4860*6D*	A*VM960604CXB*	41,000	31,400	14.00	11.50	1,400	5621035
	CA*F4860*6D*	G*VM961155DXB*	41,000	31,400	14.00	11.50	1,400	5621049
	CA*F4860*6D*	A*VC950915DXB*	41,000	31,400	14.00	11.50	1,400	5621030
	CA*F4860*6D*	G*VM960604CXB*	41,000	31,400	14.00	11.50	1,400	5621036
	CA*F4860*6D*	G*VC950714CXB*	41,000	31,400	14.00	11.50	1,400	5621022
	CA*F4860*6D*	G*VC950905DXB*	41,000	31,400	14.00	11.50	1,400	5621027
	CA*F4860*6D*	G*VM960805DXB*	41,000	31,400	14.00	11.50	1,400	5621044
	CA*F4860*6D*	G*VM960805CXB*	41,000	31,400	14.00	11.50	1,400	5621041
	CA*F4860*6D*	G*VM961005DXB*	41,000	31,400	14.00	11.50	1,400	5621047
	CA*F4860*6D*	A*VM960805DXB*	41,000	31,400	14.00	11.50	1,400	6497567
	CA*F4860*6D*	A*VM961005DXB*	41,000	31,400	14.00	11.50	1,400	6497568
	CA*F4860*6D*	A*VM961155DXB*	41,000	31,400	14.00	11.50	1,400	6497569
	CA*F4860*6D*	A*VC951155DXB*	41,000	31,400	14.00	11.50	1,400	6497565
	CA*F4860*6D*	A*VC950905DXB*	41,000	31,400	14.00	11.50	1,400	6497564
	CA*F4860*6D*	A*VM960805CXB*	41,000	31,400	14.00	11.50	1,400	6497566
	CA*F4860*6D*	GME951005DXA*	40,500	31,000	13.50	11.00	1,440	4703539
	CA*F4860*6D*	A*VC950714CXB*	41,000	31,400	14.00	11.50	1,400	5621021
	CA*F4860*6D*	G*VC950905CXB*	41,000	31,400	14.00	11.50	1,400	5621023
	CA*F4860*6D*	G*VC950915DXB*	41,000	31,400	14.00	11.50	1,400	5621031
	CA*F4860*6D*	G*VC951155DXB*	41,000	31,400	14.00	11.50	1,400	5621032
	CA*F4860*6D*	A*VC950905CXB*	41,000	31,400	14.00	11.50	1,400	6497563
	CA*F4860*6D*	A*EH800805C*A*	41,000	31,400	13.50	11.50	1,510	6944902
	CA*F4860*6D*	AMEH960805CXA*	40,500	31,000	14.00	11.30	1,400	6944904
	CA*F4860*6D*	AMEH961005DXA*	40,500	31,000	13.50	11.00	1,440	6944906
	CA*F4860*6D*+EEP		41,000	31,400	13.00	11.00	1,400	3880267
	CA*F4860*6D*+MBVC1600**-1A*		41,000	31,400	14.00	11.50	1,400	3880314
	CA*F4961*6D*+EEP		41,000	31,400	13.00	11.00	1,400	4887677
	CAPT4961*4A*+EEP		40,500	31,000	13.00	11.00	1,400	5611311
	CAPT4961*4A*+MBVC1600**-1A*		41,000	31,400	14.00	11.50	1,375	5611312
	CAPT4961*4A*+MBVC2000**-1A*		41,000	31,400	14.00	11.50	1,400	5611313
	CHPF3642C6C*	G*E80805C*B*	40,000	30,600	13.00	11.30	1,350	5039027
	CHPF3642C6C*	A*EH800805C*A*	40,000	30,600	13.00	11.30	1,350	6944908
	CHPF3642C6C*+EEP		40,000	30,600	13.00	11.00	1,400	3539875
	CHPF3642D6C*	G*VC91155DXA*	40,000	30,600	13.50	11.30	1,400	3597929
	CHPF3642D6C*	G*VM960805CXB*	40,000	30,600	13.50	11.30	1,400	5621042
	CHPF3642D6C*	G*VC950905DXB*	40,000	30,600	13.50	11.30	1,400	5621028
	CHPF3642D6C*	A*VM960604CXB*	40,000	30,600	13.50	11.30	1,400	5621037
CHPF3642D6C*	G*VM960604CXB*	40,000	30,600	13.50	11.30	1,400	5621038	
CHPF3642D6C*	G*VM960805DXB*	40,000	30,600	13.50	11.30	1,400	5621045	
CHPF3642D6C*	A*VM960805DXB*	40,000	30,600	13.50	11.30	1,400	6497573	
CHPF3642D6C*	A*VC950905CXB*	40,000	30,600	13.50	11.30	1,400	6497570	
CHPF3642D6C*	A*VM960805CXB*	40,000	30,600	13.50	11.30	1,400	6497572	
CHPF3642D6C*	A*VC950905DXB*	40,000	30,600	13.50	11.30	1,400	6497571	

See Notes on Page 38.

AHRI RATINGS (CONT.)

OUTDOOR UNIT	INDOOR UNITS		COOLING RATINGS				CFM	AHRI #
	COILS/AIR HANDLERS	FURNACES	TOTAL ¹	SENS. ¹	SEER ²	EER ³		
GSX13 0421B*	CHPF3642D6C*	G*VC950905CXB*	40,000	30,600	13.50	11.30	1,400	5621024
	CHPF3642D6C*+EEP		40,000	30,600	13.00	11.00	1,400	3539877
	CHPF3743C6B*+EEP		40,000	30,600	13.00	11.00	1,400	6497574
	CHPF4860D6D*	G*E80805C*B*	41,000	31,400	13.50	11.50	1,510	5038972
	CHPF4860D6D*	GME951005DXA*	40,500	31,000	13.50	11.00	1,440	4703542
	CHPF4860D6D*	G*VM960805CXB*	41,000	31,400	14.00	11.50	1,400	5621043
	CHPF4860D6D*	G*VM960604CXB*	41,000	31,400	14.00	11.50	1,400	5621040
	CHPF4860D6D*	G*VM961155DXB*	41,000	31,400	14.00	11.50	1,400	5621050
	CHPF4860D6D*	G*VC950905CXB*	41,000	31,400	14.00	11.50	1,400	5621025
	CHPF4860D6D*	G*VC950905DXB*	41,000	31,400	14.00	11.50	1,400	5621029
	CHPF4860D6D*	G*VM960805DXB*	41,000	31,400	14.00	11.50	1,400	5621046
	CHPF4860D6D*	G*VM961005DXB*	41,000	31,400	14.00	11.50	1,400	5621048
	CHPF4860D6D*	A*VM960805DXB*	41,000	31,400	14.00	11.50	1,400	6497579
	CHPF4860D6D*	A*VM961005DXB*	41,000	31,400	14.00	11.50	1,400	6497580
	CHPF4860D6D*	A*VC950905CXB*	41,000	31,400	14.00	11.50	1,400	6497575
	CHPF4860D6D*	A*VC951155DXB*	41,000	31,400	14.00	11.50	1,400	6497577
	CHPF4860D6D*	A*VM960805CXB*	41,000	31,400	14.00	11.50	1,400	6497578
	CHPF4860D6D*	A*VC950905DXB*	41,000	31,400	14.00	11.50	1,400	6497576
	CHPF4860D6D*	A*VM961155DXB*	41,000	31,400	14.00	11.50	1,400	6497581
	CHPF4860D6D*	GME950805CXA*	40,500	31,000	14.00	11.30	1,400	4703732
	CHPF4860D6D*	G*VC951155DXB*	41,000	31,400	14.00	11.50	1,400	5621033
	CHPF4860D6D*	A*VM960604CXB*	41,000	31,400	14.00	11.50	1,400	5621039
	CHPF4860D6D*	A*EH800805C*A*	41,000	31,400	13.50	11.50	1,510	6944910
	CHPF4860D6D*	AMEH960805CXA*	40,500	31,000	14.00	11.30	1,400	6944912
	CHPF4860D6D*	AMEH961005DXA*	40,500	31,000	13.50	11.00	1,440	6944914
	CHPF4860D6D*+EEP		41,000	31,400	13.00	11.00	1,400	3539879
	CHPF4860D6D*+MBVC1600**-1A*		41,000	31,400	14.00	11.50	1,400	3609448
	CSCF3642N6D*+EEP		40,000	30,600	13.00	11.00	1,325	4767422
	CSCF4860N6D*	G*VC951155DXB*	41,000	31,400	13.50	11.30	1,425	5621034
	CSCF4860N6D*	G*VC950905CXB*	41,000	31,400	13.50	11.30	1,450	5621026
CSCF4860N6D*	A*VC951155DXB*	41,000	31,400	13.50	11.30	1,425	6497582	
CSCF4860N6D*+EEP		41,000	31,400	13.00	11.00	1,325	4767426	
GSX13 0481B*	ARPT48D14A*		46,000	35,200	13.50	11.00	1,475	5360117
	ARPT60D14A*		46,000	35,200	13.50	11.00	1,500	5360118
	ARUF48D14A*		44,500	34,200	13.00	11.00	1,550	5360119
	ARUF48D14A*+TXV		44,500	34,200	13.00	11.00	1,550	5378542
	ARUF60D14A*		44,500	34,200	13.00	11.00	1,460	5360120
	ARUF60D14A*+TXV		44,500	34,200	13.00	11.00	1,460	5378543
	ASPT48D14A*		46,000	35,200	13.80	11.30	1,600	5796511
	ASPT60D14A*		46,000	35,200	13.80	11.30	1,600	5722556
	ASUF49C14A*		43,000	33,000	13.00	11.00	1,435	5620405
	ASUF49C14A*+TXV		43,000	33,000	13.30	11.00	1,435	5620406
	AVPTC48D14A*		46,000	35,200	13.80	11.30	1,615	5924446
	CA*F4860*6D*+EEP		46,000	35,200	13.00	11.00	1,600	4214133
	CA*F4860*6D*+MBVC2000**-1A*		46,000	35,200	14.00	11.30	1,600	3880321
	CA*F4860*6D*+TXV	A*VC950714CXB*	46,000	35,200	14.00	11.30	1,550	5621051
	CA*F4860*6D*+TXV	A*VC950905CXB*	46,000	35,200	14.00	11.30	1,620	6497583
	CA*F4860*6D*+TXV	A*VC950905DXB*	46,000	35,200	14.00	11.30	1,620	6497584
CA*F4860*6D*+TXV	A*VC950915DXB*	46,000	35,200	14.00	11.30	1,620	5621059	
CA*F4860*6D*+TXV	A*VC951155DXB*	46,000	35,200	14.00	11.30	1,620	6497585	

See Notes on Page 38.

AHRI RATINGS (CONT.)

OUTDOOR UNIT	INDOOR UNITS		COOLING RATINGS				CFM	AHRI #
	COILS/AIR HANDLERS	FURNACES	TOTAL ¹	SENS. ¹	SEER ²	EER ³		
GSX13 0481B*	CA*F4860*6D*+TXV	A*VM960604CXB*	46,000	35,200	14.00	11.30	1,550	5621064
	CA*F4860*6D*+TXV	A*VM960805CXB*	46,000	35,200	14.00	11.30	1,620	6497586
	CA*F4860*6D*+TXV	A*VM960805DXB*	46,000	35,200	14.00	11.30	1,620	6497587
	CA*F4860*6D*+TXV	A*VM961005DXB*	46,000	35,200	14.00	11.30	1,620	6497588
	CA*F4860*6D*+TXV	A*VM961155DXB*	46,000	35,200	14.00	11.30	1,620	6497589
	CA*F4860*6D*+TXV	G*E80805C*B*	46,000	35,200	13.50	11.30	1,650	5039233
	CA*F4860*6D*+TXV	G*E81005C*B*	46,000	35,200	13.50	11.30	1,570	5039261
	CA*F4860*6D*+TXV	G*VC950714CXB*	46,000	35,200	14.00	11.30	1,620	5621052
	CA*F4860*6D*+TXV	G*VC950905CXB*	46,000	35,200	14.00	11.30	1,620	5621053
	CA*F4860*6D*+TXV	G*VC950905DXB*	46,000	35,200	14.00	11.30	1,620	5621056
	CA*F4860*6D*+TXV	G*VC950915DXB*	46,000	35,200	14.00	11.30	1,620	5621060
	CA*F4860*6D*+TXV	G*VC951155DXB*	46,000	35,200	14.00	11.30	1,620	5621061
	CA*F4860*6D*+TXV	G*VM960604CXB*	46,000	35,200	14.00	11.30	1,620	5621065
	CA*F4860*6D*+TXV	G*VM960805CXB*	46,000	35,200	14.00	11.30	1,620	5621068
	CA*F4860*6D*+TXV	G*VM960805DXB*	46,000	35,200	14.00	11.30	1,620	5621070
	CA*F4860*6D*+TXV	G*VM961005DXB*	46,000	35,200	14.00	11.30	1,620	5621072
	CA*F4860*6D*+TXV	G*VM961155DXB*	46,000	35,200	14.00	11.30	1,620	5621074
	CA*F4860*6D*+TXV	GME950805CXA*	45,500	34,800	14.00	11.30	1,550	4703516
	CA*F4860*6D*+TXV	GME951005DXA*	45,500	34,800	13.70	11.30	1,650	4703548
	CA*F4860*6D*+TXV	A*EH800805C*A*	46,000	35,200	13.50	11.30	1,650	6944916
	CA*F4860*6D*+TXV	A*EH801005C*A*	46,000	35,200	13.50	11.30	1,570	6944918
	CA*F4860*6D*+TXV	AMEH960805CXA*	45,500	34,800	14.00	11.30	1,550	6944920
	CA*F4860*6D*+TXV	AMEH961005DXA*	45,500	34,800	13.70	11.30	1,650	6944921
	CA*F4961*6D*+EEP		46,000	35,200	13.00	11.00	1,600	5685098
	CAPT4961*4A*+EEP		46,500	35,600	13.00	11.00	1,600	5611314
	CAPT4961*4A*+MBVC1600**-1A*		47,000	36,000	14.00	11.50	1,500	5611315
	CAPT4961*4A*+MBVC2000**-1A*		47,000	36,000	14.00	11.50	1,550	5611316
	CHPF4860D6D*+EEP		46,000	35,200	13.00	11.00	1,600	3539868
	CHPF4860D6D*+MBVC2000**-1A*		46,000	35,200	14.00	11.30	1,600	3609452
	CHPF4860D6D*+TXV	A*VC950905CXB*	46,000	35,200	14.00	11.30	1,620	6497590
	CHPF4860D6D*+TXV	A*VC950905DXB*	46,000	35,200	14.00	11.30	1,620	6497591
	CHPF4860D6D*+TXV	A*VC951155DXB*	46,000	35,200	14.00	11.30	1,620	6497592
	CHPF4860D6D*+TXV	A*VM960604CXB*	46,000	35,200	14.00	11.30	1,550	5621066
	CHPF4860D6D*+TXV	A*VM960805CXB*	46,000	35,200	14.00	11.30	1,620	6497593
	CHPF4860D6D*+TXV	A*VM960805DXB*	46,000	35,200	14.00	11.30	1,620	6497594
	CHPF4860D6D*+TXV	A*VM961005DXB*	46,000	35,200	14.00	11.30	1,620	6497595
	CHPF4860D6D*+TXV	A*VM961155DXB*	46,000	35,200	14.00	11.30	1,620	6497596
	CHPF4860D6D*+TXV	G*E80805C*B*	46,000	35,200	13.50	11.30	1,650	5039110
	CHPF4860D6D*+TXV	G*E81005C*B*	46,000	35,200	13.50	11.30	1,570	5038912
	CHPF4860D6D*+TXV	G*VC950905CXB*	46,000	35,200	14.00	11.30	1,620	5621054
	CHPF4860D6D*+TXV	G*VC950905DXB*	46,000	35,200	14.00	11.30	1,620	5621057
	CHPF4860D6D*+TXV	G*VC951155DXB*	46,000	35,200	14.00	11.30	1,620	5621062
	CHPF4860D6D*+TXV	G*VM960604CXB*	46,000	35,200	14.00	11.30	1,620	5621067
	CHPF4860D6D*+TXV	G*VM960805CXB*	46,000	35,200	14.00	11.30	1,620	5621069
	CHPF4860D6D*+TXV	G*VM960805DXB*	46,000	35,200	14.00	11.30	1,620	5621071
	CHPF4860D6D*+TXV	G*VM961005DXB*	46,000	35,200	14.00	11.30	1,620	5621073
	CHPF4860D6D*+TXV	G*VM961155DXB*	46,000	35,200	14.00	11.30	1,620	5621075
	CHPF4860D6D*+TXV	GME950805CXA*	45,500	34,800	14.00	11.30	1,550	4703518
CHPF4860D6D*+TXV	GME951005DXA*	45,500	34,800	13.70	11.30	1,650	4703552	
CHPF4860D6D*+TXV	A*EH800805C*A*	46,000	35,200	13.50	11.30	1,650	6944923	

See Notes on Page 38.

AHRI RATINGS (CONT.)

OUTDOOR UNIT	INDOOR UNITS		COOLING RATINGS				CFM	AHRI #
	COILS/AIR HANDLERS	FURNACES	TOTAL ¹	SENS. ¹	SEER ²	EER ³		
GSX13 0481B*	CHPF4860D6D*+TXV	A*EH801005C*A*	46,000	35,200	13.50	11.30	1,570	6944925
	CHPF4860D6D*+TXV	AMEH960805CXA*	45,500	34,800	14.00	11.30	1,550	6944927
	CHPF4860D6D*+TXV	AMEH961005DXA*	45,500	34,800	13.70	11.30	1,650	6944928
	CSCF4860N6D*+EEP		46,000	35,200	13.00	11.00	1,600	4767427
	CSCF4860N6D*+TXV	A*VC950905CXB*	46,000	35,200	14.00	11.30	1,575	6497597
	CSCF4860N6D*+TXV	A*VC950905DXB*	46,000	35,200	14.00	11.30	1,575	6497598
	CSCF4860N6D*+TXV	A*VC951155DXB*	46,000	35,200	14.00	11.30	1,550	6497599
	CSCF4860N6D*+TXV	G*VC950905CXB*	46,000	35,200	14.00	11.30	1,575	5621055
	CSCF4860N6D*+TXV	G*VC950905DXB*	46,000	35,200	14.00	11.30	1,575	5621058
	CSCF4860N6D*+TXV	G*VC951155DXB*	46,000	35,200	14.00	11.30	1,550	5621063
GSX13 0601B*	ASPT60D14A*		56,000	40,000	13.00	11.00	1,700	6349241
	ASUF59D14A*		54,000	38,500	13.00	11.00	1,580	5600192
	AVPTC60D14A*		56,000	40,000	13.00	11.00	1,750	6349242
	CA*F4961*6D*+EEP		55,500	39,500	13.00	11.00	1,650	4945868
	CA*F4961*6D*+MBVC2000**-1A*		56,000	40,000	13.50	11.50	1,650	4431670
	CA*F4961*6D*+MBVC2000**-1A*+TXV		56,000	40,000	13.50	11.50	1,750	4431671
	CA*F4961*6D*+TXV	G*E81005C*B*	55,000	39,000	13.30	11.20	1,720	5038893
	CA*F4961*6D*+TXV	G*VC81005C*B*	55,500	39,500	13.30	11.20	1,700	5038945
	CA*F4961*6D*+TXV	G*E80805C*B*	54,500	38,500	13.30	11.20	1,650	5038979
	CA*F4961*6D*+TXV	G*VC80805C*B*	55,500	39,500	13.30	11.20	1,700	5039111
	CA*F4961*6D*+TXV	A*VC81005C*B*	55,500	39,500	13.30	11.20	1,800	5039112
	CA*F4961*6D*+TXV	A*VC80805C*B*	55,500	39,500	13.30	11.20	1,800	5039235
	CA*F4961*6D*+TXV	G*VC950714CXB*	55,000	39,000	13.00	11.00	1,700	5621077
	CA*F4961*6D*+TXV	G*VC950915DXB*	55,000	39,000	13.00	11.00	1,700	5621087
	CA*F4961*6D*+TXV	G*VM960805DXB*	55,000	39,000	13.00	11.00	1,700	5621098
	CA*F4961*6D*+TXV	A*VC950714CXB*	55,000	39,000	13.00	11.00	1,700	5621076
	CA*F4961*6D*+TXV	G*VC950905CXB*	55,000	39,000	13.00	11.00	1,700	5621080
	CA*F4961*6D*+TXV	G*VM961155DXB*	54,500	38,500	13.40	11.20	1,620	5621104
	CA*F4961*6D*+TXV	G*VC951155DXB*	54,500	38,500	13.40	11.20	1,620	5621090
	CA*F4961*6D*+TXV	G*VM961005DXB*	54,500	38,500	13.40	11.20	1,620	5621101
	CA*F4961*6D*+TXV	A*VC950915DXB*	55,000	39,000	13.00	11.00	1,700	5621086
	CA*F4961*6D*+TXV	A*VC950905DXB*	56,500	40,000	13.00	11.00	1,700	6497601
	CA*F4961*6D*+TXV	A*VM960805CXB*	56,500	40,000	13.00	11.00	1,700	6497603
	CA*F4961*6D*+TXV	A*VM961155DXB*	56,000	40,000	13.40	11.20	1,620	6497605
	CA*F4961*6D*+TXV	A*VC950905CXB*	56,500	40,000	13.00	11.00	1,700	6497600
	CA*F4961*6D*+TXV	A*VM961005DXB*	56,000	40,000	13.40	11.20	1,620	6497604
	CA*F4961*6D*+TXV	A*VC951155DXB*	56,000	40,000	13.40	11.20	1,620	6497602
	CA*F4961*6D*+TXV	G*VC950905DXB*	55,000	39,000	13.00	11.00	1,700	5621083
	CA*F4961*6D*+TXV	G*VM960805CXB*	55,000	39,000	13.00	11.00	1,700	5621095
	CA*F4961*6D*+TXV	A*EH800805C*A*	54,500	38,500	13.30	11.20	1,650	6944930
	CA*F4961*6D*+TXV	A*EH801005C*A*	55,000	39,000	13.30	11.20	1,720	6944932
	CAPT4961*4A*	G*E80805C*B*	54,500	38,500	13.00	11.00	1,675	5520636
	CAPT4961*4A*	G*E81005C*B*	55,000	39,000	13.00	11.00	1,625	5520637
CAPT4961*4A*	A*VC80805C*B*	55,500	39,500	13.00	11.00	1,625	5520629	
CAPT4961*4A*	ADV81005C*B*	55,500	39,500	13.00	11.00	1,625	5520635	
CAPT4961*4A*	A*VC81005C*B*	55,500	39,500	13.00	11.00	1,625	5520630	
CAPT4961*4A*	G*VC81005C*B*	55,500	39,500	13.00	11.00	1,625	5520639	
CAPT4961*4A*	ADV80805C*B*	55,500	39,500	13.00	11.00	1,625	5520634	
CAPT4961*4A*	G*VC950714CXB*	55,000	39,000	13.00	11.00	1,600	5621079	
CAPT4961*4A*	G*VM960805CXB*	55,000	39,000	13.00	11.00	1,600	5621096	

See Notes on Page 38.

AHRI RATINGS (CONT.)

OUTDOOR UNIT	INDOOR UNITS		COOLING RATINGS				CFM	AHRI #	
	COILS/AIR HANDLERS	FURNACES	TOTAL ¹	SENS. ¹	SEER ²	EER ³			
GSX13 0601B*	CAPT4961*4A*	A*VC950915DXB*	55,000	39,000	13.00	11.00	1,660	5621088	
	CAPT4961*4A*	G*VM961005DXB*	54,500	38,500	13.00	11.00	1,625	5621102	
	CAPT4961*4A*	G*VC950905CXB*	55,000	39,000	13.00	11.00	1,625	5621081	
	CAPT4961*4A*	G*VM961155DXB*	54,500	38,500	13.00	11.00	1,625	5621105	
	CAPT4961*4A*	G*VC950905DXB*	55,000	39,000	13.00	11.00	1,625	5621084	
	CAPT4961*4A*	A*VC950714CXB*	55,000	39,000	13.00	11.00	1,600	5621078	
	CAPT4961*4A*	G*VC950915DXB*	55,000	39,000	13.00	11.00	1,660	5621089	
	CAPT4961*4A*	G*VC951155DXB*	54,500	38,500	13.00	11.00	1,625	5621091	
	CAPT4961*4A*	G*VM960805DXB*	55,000	39,000	13.00	11.00	1,600	5621099	
	CAPT4961*4A*	A*VC951155DXB*	56,000	40,000	13.00	11.00	1,625	6497608	
	CAPT4961*4A*	A*VM961005DXB*	56,000	40,000	13.00	11.00	1,625	6497610	
	CAPT4961*4A*	A*VM961155DXB*	56,000	40,000	13.00	11.00	1,625	6497611	
	CAPT4961*4A*	A*VC950905CXB*	56,500	40,000	13.00	11.00	1,625	6497606	
	CAPT4961*4A*	G*VC80805C*B*	55,500	39,500	13.00	11.00	1,625	5520638	
	CAPT4961*4A*	A*VM960604CXB*	55,000	39,000	13.00	11.00	1,600	5621093	
	CAPT4961*4A*	G*VM960604CXB*	55,000	39,000	13.00	11.00	1,600	5621094	
	CAPT4961*4A*	A*VC950905DXB*	56,500	40,000	13.00	11.00	1,625	6497607	
	CAPT4961*4A*	A*VM960805CXB*	56,500	40,000	13.00	11.00	1,600	6497609	
	CAPT4961*4A*	A*EH800805C*A*	54,500	38,500	13.00	11.00	1,675	6944934	
	CAPT4961*4A*	A*EH801005C*A*	55,000	39,000	13.00	11.00	1,625	6944936	
	CAPT4961*4A*+MBVC2000**-1A*			56,000	40,000	13.50	11.50	1,625	5527435
	CHPF4860D6D*+EEP+TXV			55,500	39,500	13.00	11.00	1,500	5604754
	CHPF4860D6D*+MBVC2000**-1A*+TXV			56,000	40,000	13.50	11.50	1,625	3688586
	CHPF4860D6D*+TXV	A*VC80805C*B*		55,500	39,500	13.00	11.00	1,800	5038849
	CHPF4860D6D*+TXV	G*VC80805C*B*		55,500	39,500	13.00	11.00	1,800	5038946
	CHPF4860D6D*+TXV	G*E81005C*B*		55,000	39,000	13.30	11.20	1,720	5039194
	CHPF4860D6D*+TXV	A*VC81005C*B*		55,500	39,500	13.00	11.00	1,800	5039148
	CHPF4860D6D*+TXV	G*E80805C*B*		54,500	38,500	13.30	11.20	1,650	5039181
	CHPF4860D6D*+TXV	G*VC950905DXB*		55,500	39,500	13.20	11.00	1,700	5621085
	CHPF4860D6D*+TXV	G*VM960805CXB*		55,000	39,000	13.00	11.00	1,700	5621097
	CHPF4860D6D*+TXV	G*VM960805DXB*		56,500	40,000	13.00	11.00	1,700	5621100
	CHPF4860D6D*+TXV	G*VM961005DXB*		55,000	39,000	13.00	11.00	1,620	5621103
	CHPF4860D6D*+TXV	G*VC950905CXB*		55,000	39,000	13.00	11.00	1,700	5621082
	CHPF4860D6D*+TXV	G*VC951155DXB*		55,000	39,000	13.00	11.00	1,620	5621092
	CHPF4860D6D*+TXV	G*VM961155DXB*		55,000	39,000	13.40	11.30	1,620	5621106
	CHPF4860D6D*+TXV	A*VM961005DXB*		56,500	40,000	13.00	11.00	1,620	6497617
	CHPF4860D6D*+TXV	A*VM961155DXB*		56,500	40,000	13.40	11.30	1,620	6497618
	CHPF4860D6D*+TXV	A*VC950905CXB*		56,500	40,000	13.00	11.00	1,700	6497612
	CHPF4860D6D*+TXV	A*VC950905DXB*		57,000	40,500	13.20	11.00	1,700	6497613
	CHPF4860D6D*+TXV	A*VM960805DXB*		56,500	40,000	13.00	11.00	1,700	6497616
	CHPF4860D6D*+TXV	A*VC951155DXB*		56,500	40,000	13.00	11.00	1,620	6497614
	CHPF4860D6D*+TXV	G*VC81005C*B*		55,500	39,500	13.00	11.00	1,800	5038848
CHPF4860D6D*+TXV	A*VM960805CXB*		56,500	40,000	13.00	11.00	1,700	6497615	
CHPF4860D6D*+TXV	A*EH800805C*A*		54,500	38,500	13.30	11.20	1,650	6944938	
CHPF4860D6D*+TXV	A*EH801005C*A*		55,000	39,000	13.30	11.20	1,720	6944940	
CSCF4860N6D*+EEP			54,000	38,500	13.00	11.00	1,600	5446159	
CSCF4860N6D*+MBVC2000**-1A*			53,500	38,000	13.50	11.50	1,650	4767698	

See Notes on Page 38.

AHRI RATINGS (CONT.)

OUTDOOR UNIT	INDOOR UNITS		COOLING RATINGS				CFM	AHRI #
	COILS/AIR HANDLERS	FURNACES	TOTAL ¹	SENS. ¹	SEER ²	EER ³		
GSX13 0611A*	ARPT48D14A*		54,500	37,400	13.00	11.00	1,500	5586528
	ARPT60D14A*		55,000	37,600	13.00	11.00	1,500	5586693
	ARUF48D14A*		54,500	37,400	13.00	11.00	1,500	5586531
	ARUF60D14A*		55,000	37,600	13.00	11.00	1,500	5586696
	ASPT60D14A*		56,000	38,500	14.00	11.50	1,600	5722560
	ASUF49C14A*		51,500	35,200	13.00	11.00	1,435	5620411
	ASUF49C14A*+TXV		51,500	35,200	13.20	11.00	1,435	5620412
	ASUF59D14A*		56,000	38,500	13.50	11.00	1,580	5600189
	ASUF59D14A*+TXV		56,000	38,500	14.00	11.50	1,600	5722605
	AVPTC60D14A*		56,000	38,500	14.00	11.50	1,620	5924344
	CA*F4860*6D*+EEP		55,000	37,600	13.00	11.00	1,500	5586534
	CA*F4860*6D*+MBVC2000**-1A*		56,000	38,500	13.50	11.50	1,575	5586537
	CA*F4860*6D*+MBVC2000**-1A*+TXV		56,000	38,500	14.00	11.50	1,575	5586540
	CA*F4860*6D*+TXV	GME951005DXA*	55,000	37,600	13.50	11.00	1,500	5586579
	CA*F4860*6D*+TXV	ADVC80805C*B*	55,500	38,000	13.00	11.00	1,500	5586558
	CA*F4860*6D*+TXV	G*VC81005C*B*	55,500	38,000	13.50	11.00	1,520	5586564
	CA*F4860*6D*+TXV	GME950805CXA*	55,000	37,600	13.00	11.00	1,475	5586576
	CA*F4860*6D*+TXV	G*VC80805C*B*	55,500	38,000	13.50	11.00	1,520	5586720
	CA*F4860*6D*+TXV	ADVC81005C*B*	55,500	38,000	13.00	11.00	1,550	5586714
	CA*F4860*6D*+TXV	G*E81005C*B*	55,000	37,600	13.50	11.00	1,525	5586717
	CA*F4860*6D*+TXV	A*VC81005C*B*	55,500	38,000	13.50	11.00	1,520	5586543
	CA*F4860*6D*+TXV	A*VC950915DXB*	55,000	37,600	13.00	11.00	1,575	5621125
	CA*F4860*6D*+TXV	G*VM960805CXB*	55,500	38,000	13.00	11.00	1,460	5621145
	CA*F4860*6D*+TXV	G*VC950915DXB*	55,000	37,600	13.00	11.00	1,575	5621126
	CA*F4860*6D*+TXV	G*VC951155DXB*	55,000	37,600	13.00	11.00	1,550	5621136
	CA*F4860*6D*+TXV	A*VM960805DXB*	55,500	38,000	13.00	11.00	1,460	5621154
	CA*F4860*6D*+TXV	A*VM961005DXB*	55,000	37,600	13.50	11.00	1,550	5621164
	CA*F4860*6D*+TXV	G*VM961155DXB*	55,000	37,600	13.50	11.00	1,550	5621175
	CA*F4860*6D*+TXV	A*VC950905CXB*	55,500	38,000	13.00	11.00	1,460	5621107
	CA*F4860*6D*+TXV	G*VC950905DXB*	55,500	38,000	13.50	11.00	1,460	5621117
	CA*F4860*6D*+TXV	A*VC950905DXB*	55,500	38,000	13.50	11.00	1,460	5621116
	CA*F4860*6D*+TXV	A*VC951155DXB*	55,000	37,600	13.00	11.00	1,550	5621135
	CA*F4860*6D*+TXV	G*VM960805DXB*	55,500	38,000	13.00	11.00	1,460	5621155
	CA*F4860*6D*+TXV	G*VM961005DXB*	55,000	37,600	13.50	11.00	1,550	5621165
	CA*F4860*6D*+TXV	G*E80805C*B*	55,500	38,000	13.00	11.00	1,550	5586561
	CA*F4860*6D*+TXV	A*VC80805C*B*	55,500	38,000	13.50	11.00	1,520	5586705
	CA*F4860*6D*+TXV	G*VC950905CXB*	55,500	38,000	13.00	11.00	1,460	5621108
	CA*F4860*6D*+TXV	A*VM960805CXB*	55,500	38,000	13.00	11.00	1,460	5621144
	CA*F4860*6D*+TXV	A*VM961155DXB*	55,000	37,600	13.50	11.00	1,550	5621174
	CA*F4860*6D*+TXV	A*EH800805C*A*	55,500	38,000	13.00	11.00	1,550	6944942
	CA*F4860*6D*+TXV	A*EH801005C*A*	55,000	37,600	13.50	11.00	1,525	6944944
	CA*F4860*6D*+TXV	AMEH960805CXA*	55,000	37,600	13.00	11.00	1,475	6944946
CA*F4860*6D*+TXV	AMEH961005DXA*	55,000	37,600	13.50	11.00	1,500	6944948	
CA*F4961*6D*+EEP		56,500	38,500	13.00	11.00	1,500	5586582	
CA*F4961*6D*+MBVC2000**-1A*		57,000	39,000	14.00	11.50	1,575	5586856	
CA*F4961*6D*+MBVC2000**-1A*+TXV		57,000	39,000	14.50	12.00	1,575	5586585	
CA*F4961*6D*+TXV	ADVC80805C*B*	57,000	39,000	13.50	11.00	1,500	5586600	
CA*F4961*6D*+TXV	ADVC81005C*B*	57,000	39,000	13.50	11.00	1,550	5586603	
CA*F4961*6D*+TXV	G*E81005C*B*	56,000	38,500	14.00	11.50	1,525	5586609	
CA*F4961*6D*+TXV	G*E80805C*B*	56,000	38,500	14.00	11.50	1,550	5586606	

See Notes on Page 38.

AHRI RATINGS (CONT.)

OUTDOOR UNIT	INDOOR UNITS		COOLING RATINGS				CFM	AHRI #
	COILS/AIR HANDLERS	FURNACES	TOTAL ¹	SENS. ¹	SEER ²	EER ³		
GSX13 0611A*	CA*F4961*6D*+TXV	G*VC80805C*B*	56,500	38,500	14.00	11.50	1,520	5586612
	CA*F4961*6D*+TXV	G*VC81005C*B*	56,500	38,500	14.00	11.50	1,520	5586615
	CA*F4961*6D*+TXV	GME950805CXA*	56,000	38,500	13.50	11.00	1,475	5586624
	CA*F4961*6D*+TXV	GME951005DXA*	56,000	38,500	14.00	11.50	1,500	5586627
	CA*F4961*6D*+TXV	A*VC950905CXB*	56,500	38,500	13.50	11.00	1,460	5621109
	CA*F4961*6D*+TXV	G*VC950905CXB*	56,500	38,500	13.50	11.00	1,460	5621110
	CA*F4961*6D*+TXV	A*VC950905DXB*	56,500	38,500	14.00	11.50	1,460	5621118
	CA*F4961*6D*+TXV	G*VM960805CXB*	56,500	38,500	13.50	11.00	1,460	5621147
	CA*F4961*6D*+TXV	G*VC951155DXB*	56,000	38,500	14.00	11.50	1,550	5621138
	CA*F4961*6D*+TXV	A*VM961155DXB*	56,000	38,500	14.00	11.50	1,550	5621176
	CA*F4961*6D*+TXV	G*VC950915DXB*	56,000	38,500	13.50	11.00	1,575	5621128
	CA*F4961*6D*+TXV	A*VC951155DXB*	56,000	38,500	14.00	11.50	1,550	5621137
	CA*F4961*6D*+TXV	A*VM960805CXB*	56,500	38,500	13.50	11.00	1,460	5621146
	CA*F4961*6D*+TXV	G*VM961155DXB*	56,000	38,500	13.50	11.00	1,550	5621177
	CA*F4961*6D*+TXV	G*VC950905DXB*	56,500	38,500	14.00	11.50	1,460	5621119
	CA*F4961*6D*+TXV	A*VC81005C*B*	56,500	38,500	14.00	11.50	1,520	5586591
	CA*F4961*6D*+TXV	G*VM961005DXB*	56,000	38,500	14.00	11.50	1,550	5621167
	CA*F4961*6D*+TXV	A*VM961005DXB*	56,000	38,500	14.00	11.50	1,550	5621166
	CA*F4961*6D*+TXV	A*VC950915DXB*	56,000	38,500	13.50	11.00	1,575	5621127
	CA*F4961*6D*+TXV	A*VM960805DXB*	56,500	38,500	13.50	11.00	1,460	5621156
	CA*F4961*6D*+TXV	A*VC80805C*B*	56,500	38,500	14.00	11.50	1,520	5586588
	CA*F4961*6D*+TXV	G*VC91155DXA*	56,000	38,500	13.00	11.00	1,550	5593112
	CA*F4961*6D*+TXV	G*VM960805DXB*	56,500	38,500	13.50	11.00	1,460	5621157
	CA*F4961*6D*+TXV	A*EH800805C*A*	56,000	38,500	14.00	11.50	1,550	6944950
	CA*F4961*6D*+TXV	A*EH801005C*A*	56,000	38,500	14.00	11.50	1,525	6944952
	CA*F4961*6D*+TXV	AMEH960805CXA*	56,000	38,500	13.50	11.00	1,475	6944954
	CA*F4961*6D*+TXV	AMEH961005DXA*	56,000	38,500	14.00	11.50	1,500	6944956
	CAPT4961*4A*	ADVC80805C*B*	57,000	39,000	13.50	11.00	1,500	5586642
	CAPT4961*4A*	ADVC81005C*B*	57,000	39,000	13.50	11.00	1,550	5586645
	CAPT4961*4A*	G*VC81005C*B*	56,500	38,500	14.00	11.50	1,520	5586657
	CAPT4961*4A*	A*VC81005C*B*	56,500	38,500	14.00	11.50	1,520	5586633
	CAPT4961*4A*	G*E81005C*B*	56,000	38,500	14.00	11.50	1,525	5586651
	CAPT4961*4A*	A*VC80805C*B*	56,500	38,500	14.00	11.50	1,520	5586630
	CAPT4961*4A*	G*VC80805C*B*	56,500	38,500	14.00	11.50	1,520	5586654
	CAPT4961*4A*	G*VC91155DXA*	56,000	38,500	13.50	11.00	1,550	5593115
	CAPT4961*4A*	A*VC950905CXB*	56,500	38,500	13.50	11.00	1,460	5621111
	CAPT4961*4A*	A*VC950915DXB*	56,000	38,500	13.50	11.00	1,575	5621129
	CAPT4961*4A*	G*VC951155DXB*	56,000	38,500	14.00	11.50	1,550	5621140
	CAPT4961*4A*	A*VM961005DXB*	56,000	38,500	14.00	11.50	1,550	5621168
	CAPT4961*4A*	A*VC951155DXB*	56,000	38,500	14.00	11.50	1,550	5621139
	CAPT4961*4A*	G*VM961155DXB*	56,000	38,500	13.50	11.00	1,550	5621179
	CAPT4961*4A*	G*VM960805DXB*	56,500	38,500	13.50	11.00	1,460	5621159
CAPT4961*4A*	G*VC950905DXB*	56,500	38,500	14.00	11.50	1,460	5621121	
CAPT4961*4A*	A*VM960805DXB*	56,500	38,500	13.50	11.00	1,460	5621158	
CAPT4961*4A*	G*VM961005DXB*	56,000	38,500	14.00	11.50	1,550	5621169	
CAPT4961*4A*	A*VM960805CXB*	56,500	38,500	13.50	11.00	1,460	5621148	
CAPT4961*4A*	A*VM961155DXB*	56,000	38,500	14.00	11.50	1,550	5621178	
CAPT4961*4A*	G*E80805C*B*	56,000	38,500	14.00	11.50	1,550	5586648	
CAPT4961*4A*	GME950805CXA*	56,000	38,500	13.50	11.00	1,475	5586666	
CAPT4961*4A*	GME951005DXA*	56,000	38,500	14.00	11.50	1,500	5586669	

See Notes on Page 38.

AHRI RATINGS (CONT.)

OUTDOOR UNIT	INDOOR UNITS		COOLING RATINGS				CFM	AHRI #
	COILS/AIR HANDLERS	FURNACES	TOTAL ¹	SENS. ¹	SEER ²	EER ³		
GSX13 0611A*	CAPT4961*4A*	G*VC950905CXB*	56,500	38,500	13.50	11.00	1,460	5621112
	CAPT4961*4A*	A*VC950905DXB*	56,500	38,500	14.00	11.50	1,460	5621120
	CAPT4961*4A*	G*VC950915DXB*	56,000	38,500	13.50	11.00	1,575	5621130
	CAPT4961*4A*	G*VM960805CXB*	56,500	38,500	13.50	11.00	1,460	5621149
	CAPT4961*4A*	A*EH800805C*A*	56,000	38,500	14.00	11.50	1,550	6944958
	CAPT4961*4A*	A*EH801005C*A*	56,000	38,500	14.00	11.50	1,525	6944960
	CAPT4961*4A*	AMEH960805CXA*	56,000	38,500	13.50	11.00	1,475	6944962
	CAPT4961*4A*	AMEH961005DXA*	56,000	38,500	14.00	11.50	1,500	6944964
	CAPT4961*4A*+EEP		56,500	38,500	13.50	11.00	1,500	5586770
	CAPT4961*4A*+MBVC2000**-1A*		57,000	39,000	14.50	12.00	1,575	5586672
	CHPF4860D6D*+EEP		56,000	38,500	13.00	11.00	1,500	5586675
	CHPF4860D6D*+MBVC2000**-1A*		57,000	39,000	14.00	11.50	1,575	5586900
	CHPF4860D6D*+MBVC2000**-1A*+TXV		57,000	39,000	14.00	11.50	1,575	5586773
	CHPF4860D6D*+TXV	G*VC80805C*B*	56,000	38,500	14.00	11.50	1,520	5586808
	CHPF4860D6D*+TXV	GME951005DXA*	56,000	38,500	14.00	11.50	1,500	5586687
	CHPF4860D6D*+TXV	A*VC80805C*B*	56,000	38,500	14.00	11.50	1,520	5586776
	CHPF4860D6D*+TXV	G*E81005C*B*	56,000	38,500	14.00	11.50	1,525	5586805
	CHPF4860D6D*+TXV	G*E80805C*B*	56,000	38,500	14.00	11.50	1,550	5586802
	CHPF4860D6D*+TXV	G*VC81005C*B*	56,500	38,500	14.00	11.50	1,520	5586811
	CHPF4860D6D*+TXV	G*VC950905CXB*	56,000	38,500	13.50	11.00	1,460	5621114
	CHPF4860D6D*+TXV	A*VC950905DXB*	56,000	38,500	14.00	11.50	1,460	5621122
	CHPF4860D6D*+TXV	G*VM960805DXB*	55,500	38,000	13.00	11.00	1,460	5621161
	CHPF4860D6D*+TXV	A*VC951155DXB*	56,000	38,500	14.00	11.50	1,550	5621141
	CHPF4860D6D*+TXV	A*VM961155DXB*	56,000	38,500	14.00	11.50	1,550	5621180
	CHPF4860D6D*+TXV	G*VC951155DXB*	56,000	38,500	14.00	11.50	1,550	5621142
	CHPF4860D6D*+TXV	A*VM960805DXB*	55,500	38,000	13.00	11.00	1,460	5621160
	CHPF4860D6D*+TXV	G*VM961155DXB*	55,000	37,600	13.50	11.00	1,550	5621181
	CHPF4860D6D*+TXV	G*VC950905DXB*	56,500	38,500	14.00	11.50	1,460	5621123
	CHPF4860D6D*+TXV	A*VM960805CXB*	56,500	38,500	13.50	11.00	1,460	5621150
	CHPF4860D6D*+TXV	A*VC81005C*B*	56,500	38,500	14.00	11.50	1,520	5586779
	CHPF4860D6D*+TXV	G*VM961005DXB*	56,000	38,500	14.00	11.50	1,550	5621171
	CHPF4860D6D*+TXV	G*VC91155DXA*	56,000	38,500	13.00	11.00	1,550	5593118
	CHPF4860D6D*+TXV	A*VC950905CXB*	56,000	38,500	13.50	11.00	1,460	5621113
	CHPF4860D6D*+TXV	A*VC950915DXB*	55,000	37,600	13.00	11.00	1,575	5621131
	CHPF4860D6D*+TXV	G*VC950915DXB*	55,000	37,600	13.00	11.00	1,575	5621132
	CHPF4860D6D*+TXV	G*VM960805CXB*	56,500	38,500	13.50	11.00	1,460	5621151
	CHPF4860D6D*+TXV	A*VM961005DXB*	56,000	38,500	14.00	11.50	1,550	5621170
	CHPF4860D6D*+TXV	GME950805CXA*	56,000	38,500	13.00	11.00	1,475	5586684
	CHPF4860D6D*+TXV	A*EH800805C*A*	56,000	38,500	14.00	11.50	1,550	6944966
	CHPF4860D6D*+TXV	A*EH801005C*A*	56,000	38,500	14.00	11.50	1,525	6944968
CHPF4860D6D*+TXV	AMEH960805CXA*	56,000	38,500	13.00	11.00	1,475	6944970	
CHPF4860D6D*+TXV	AMEH961005DXA*	56,000	38,500	14.00	11.50	1,500	6944972	
CSCF4860N6D*+EEP		55,000	37,600	13.00	11.00	1,500	5589903	
CSCF4860N6D*+MBVC2000**-1A*		56,000	38,500	13.50	11.50	1,575	5589906	
CSCF4860N6D*+MBVC2000**-1A*+TXV		56,000	38,500	14.00	11.50	1,575	5586690	
CSCF4860N6D*+TXV	A*VC80805C*B*	56,500	38,500	13.50	11.50	1,520	5589909	
CSCF4860N6D*+TXV	GME950805CXA*	55,000	37,600	13.00	11.00	1,475	5589954	
CSCF4860N6D*+TXV	G*VC80805C*B*	56,500	38,500	13.50	11.50	1,520	5589936	
CSCF4860N6D*+TXV	A*VC81005C*B*	55,500	38,000	13.50	11.00	1,520	5589912	
CSCF4860N6D*+TXV	G*VC81005C*B*	55,500	38,000	13.50	11.00	1,520	5589939	

See Notes on Page 38.

AHRI RATINGS (CONT.)

OUTDOOR UNIT	INDOOR UNITS		COOLING RATINGS				CFM	AHRI #
	COILS/AIR HANDLERS	FURNACES	TOTAL ¹	SENS. ¹	SEER ²	EER ³		
GSX13 0611A*	CSCF4860N6D*+TXV	GME951005DXA*	55,000	37,600	13.50	11.00	1,500	5589957
	CSCF4860N6D*+TXV	A*VC950905CXB*	55,000	37,600	13.50	11.00	1,475	5621115
	CSCF4860N6D*+TXV	A*VC950905DXB*	55,000	37,600	13.50	11.00	1,475	5621124
	CSCF4860N6D*+TXV	G*VM960805CXB*	55,500	38,000	13.00	11.00	1,460	5621153
	CSCF4860N6D*+TXV	G*VM960805DXB*	55,500	38,000	13.00	11.00	1,460	5621163
	CSCF4860N6D*+TXV	A*VM960805CXB*	55,500	38,000	13.00	11.00	1,460	5621152
	CSCF4860N6D*+TXV	G*VM961005DXB*	55,000	37,600	13.50	11.00	1,550	5621173
	CSCF4860N6D*+TXV	A*VM961155DXB*	55,000	37,600	13.50	11.00	1,550	5621182
	CSCF4860N6D*+TXV	A*VC950915DXB*	55,000	37,600	13.00	11.00	1,575	5621133
	CSCF4860N6D*+TXV	G*VC950915DXB*	55,000	37,600	13.00	11.00	1,575	5621134
	CSCF4860N6D*+TXV	A*VM960805DXB*	55,500	38,000	13.00	11.00	1,460	5621162
	CSCF4860N6D*+TXV	G*VM961155DXB*	55,000	37,600	13.50	11.00	1,550	5621183
	CSCF4860N6D*+TXV	G*E80805C*B*	54,500	37,400	13.00	11.00	1,550	5586829
	CSCF4860N6D*+TXV	G*E81005C*B*	55,500	38,000	13.50	11.00	1,525	5589933
	CSCF4860N6D*+TXV	A*VC951155DXB*	55,000	37,600	13.50	11.00	1,550	5621143
	CSCF4860N6D*+TXV	A*EH800805C*A*	54,500	37,400	13.00	11.00	1,550	6944974
	CSCF4860N6D*+TXV	A*EH801005C*A*	55,500	38,000	13.50	11.00	1,525	6944976
	CSCF4860N6D*+TXV	AMEH960805CXA*	55,000	37,600	13.00	11.00	1,475	6944978
	CSCF4860N6D*+TXV	AMEH961005DXA*	55,000	37,600	13.50	11.00	1,500	6944980
	CSCF4860N6D*+TXV	A*VM961005DXB*	55,000	37,600	13.50	11.00	1,550	5621172

¹ BTU/h

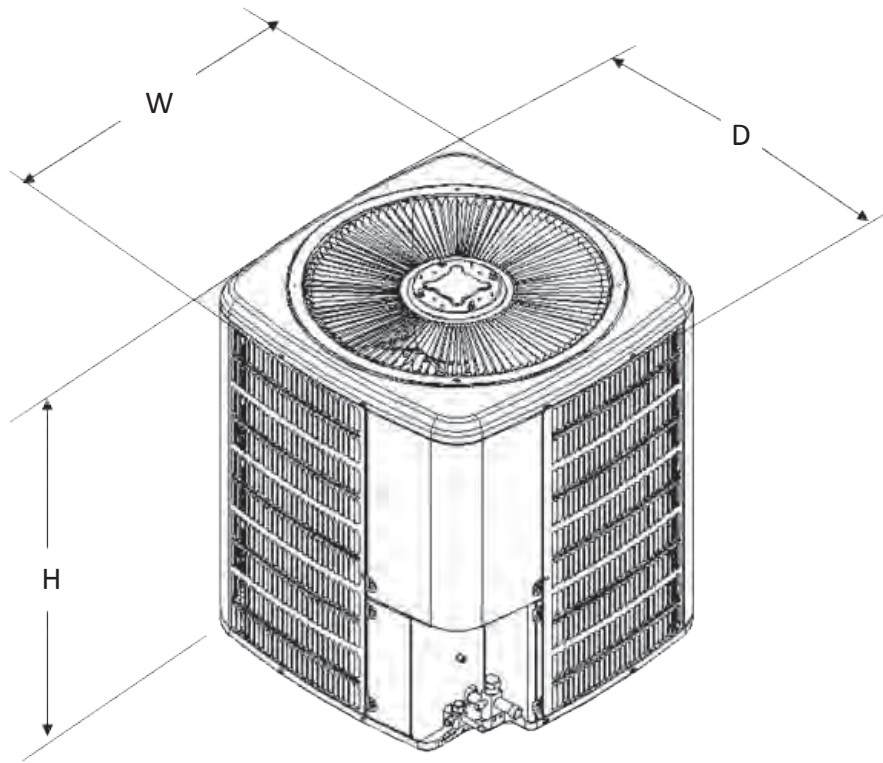
² Seasonal Energy Efficiency Ratio; Certified per AHRI 210/240 @ 80°F/ 67°F/ 95°F

³ Energy Efficiency Ratio @ 80°F/ 67°F/ 95°F

NOTES

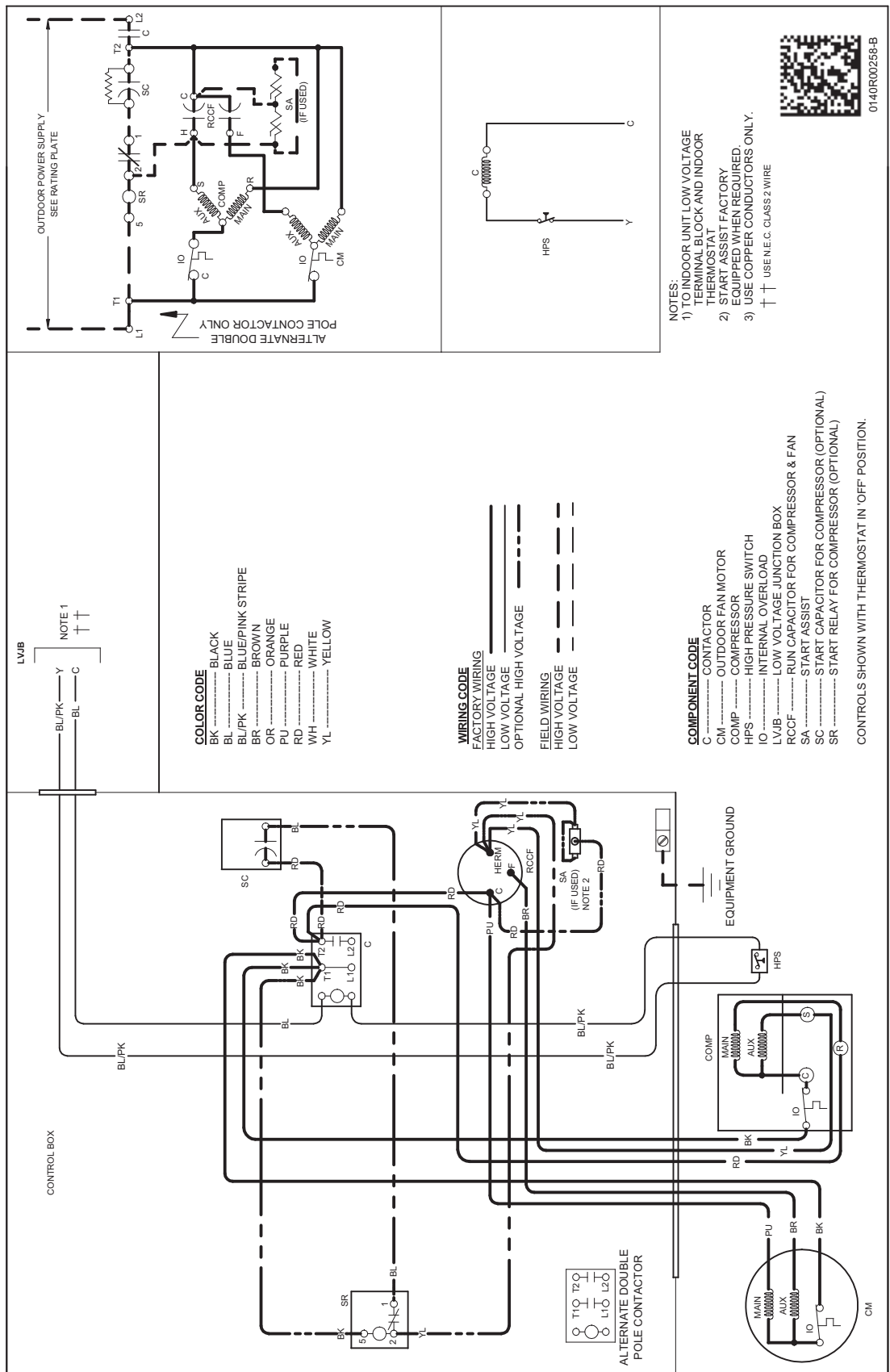
- Always check the S&R plate for electrical data on the unit being installed.
- When matching the outdoor unit to the indoor unit, use the piston supplied with the outdoor unit or that specified on the piston kit chart supplied with the indoor unit.
- EEP - Order from Service Dept. Part No. B13707-38 or new Solid State Board B13707-35S. Part No. B13707-38 is not interchangeable with B13707-35S. The Goodman Gas Furnace contains the EEP cooling time delay

DIMENSIONS



MODEL	DIMENSIONS		
	W"	D"	H"
GSX130181E*	23	23	25¾
GSX130241D*	23	23	25¾
GSX130301B*	26	26	27½
GSX130361C*	29	29	28¾
GSX130361E*	26	26	27½
GSX130421B*	29	29	36¾
GSX130481B*	29	29	36¾
GSX130601B*	29	29	40
GSX130611A*	35½	35½	38¾

WIRING DIAGRAM — GSX130181E



- NOTES:**
- 1) TO INDOOR UNIT LOW VOLTAGE TERMINAL BLOCK AND INDOOR THERMOSTAT
 - 2) START ASSIST FACTORY EQUIPPED WHEN REQUIRED.
 - 3) USE COPPER CONDUCTORS ONLY.
- ++ USE N.E.C. CLASS 2 WIRE



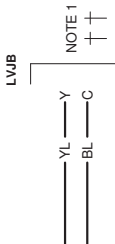
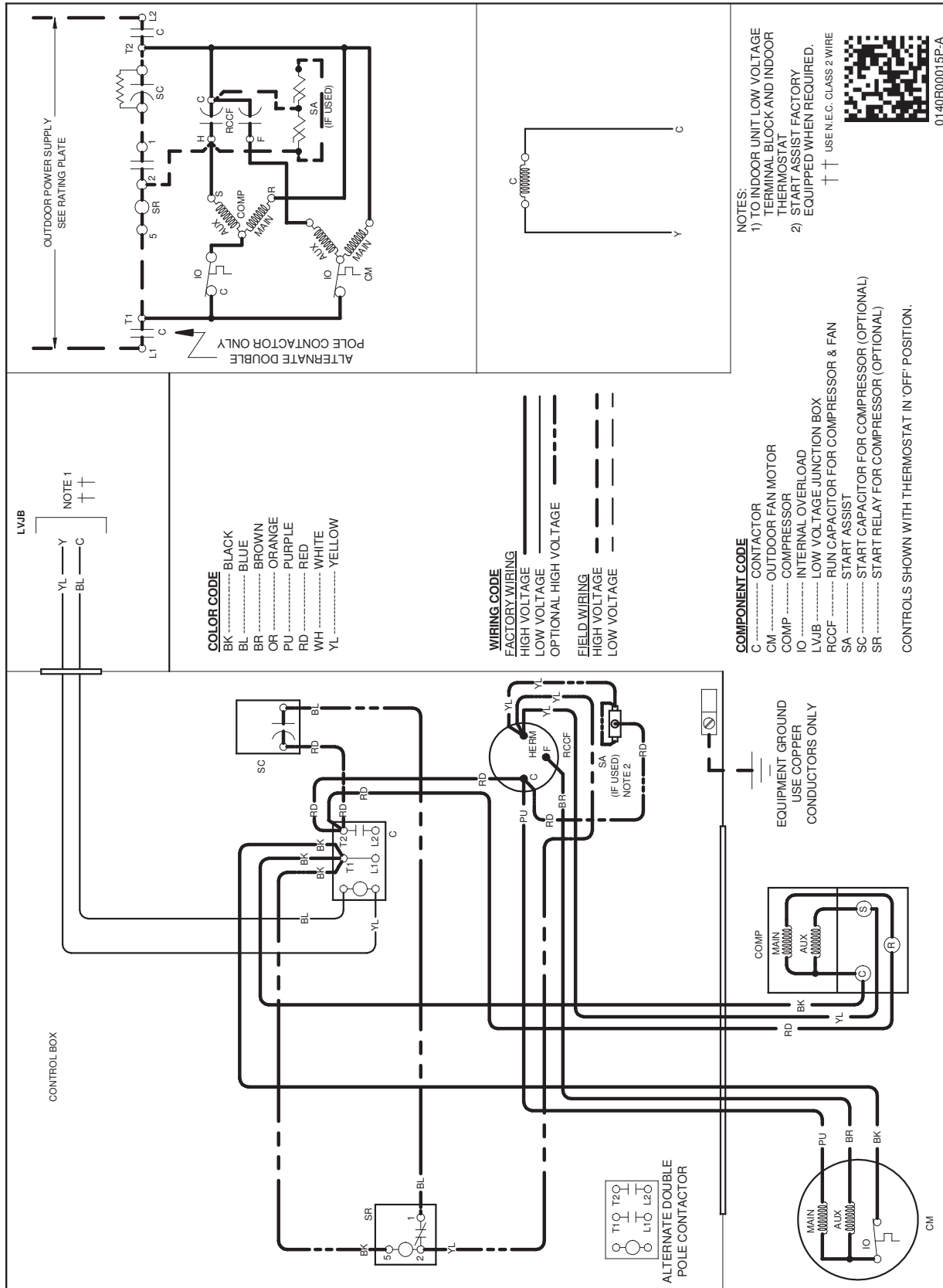
0140R00258-B

WARNING

High Voltage: Disconnect all power before servicing or installing this unit. Multiple power sources may be present. Failure to do so may cause property damage, personal injury, or death.

Wiring is subject to change. Always refer to the wiring diagram or the unit for the most up-to-date wiring.

WIRING DIAGRAM — GSX130(30-60)1B/C/E*



COLOR CODE

BK	BLACK
BL	BLUE
BR	BROWN
OR	ORANGE
PU	PURPLE
RD	RED
WH	WHITE
YL	YELLOW

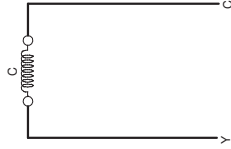
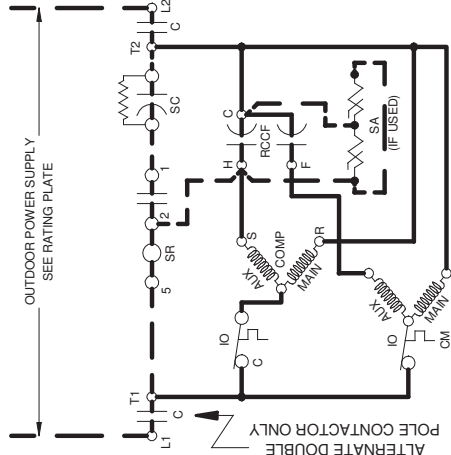
WIRING CODE

—————	FACTORY WIRING
—————	HIGH VOLTAGE
—————	LOW VOLTAGE
—————	OPTIONAL HIGH VOLTAGE
—————	FIELD WIRING
—————	HIGH VOLTAGE
—————	LOW VOLTAGE

COMPONENT CODE

C	CONTACTOR
CM	OUTDOOR FAN MOTOR
COMP	COMPRESSOR
IO	INTERNAL OVERLOAD
LVJB	LOW VOLTAGE JUNCTION BOX
RC	RUN CAPACITOR FOR COMPRESSOR & FAN
SA	START ASSIST
SC	START CAPACITOR FOR COMPRESSOR (OPTIONAL)
SR	START RELAY FOR COMPRESSOR (OPTIONAL)

CONTROLS SHOWN WITH THERMOSTAT IN 'OFF' POSITION.



NOTES:
 1) TO INDOOR UNIT LOW VOLTAGE TERMINAL BLOCK AND INDOOR THERMOSTAT
 2) START ASSIST FACTORY EQUIPPED WHEN REQUIRED.
 †† USE N.E.C. CLASS 2 WIRE



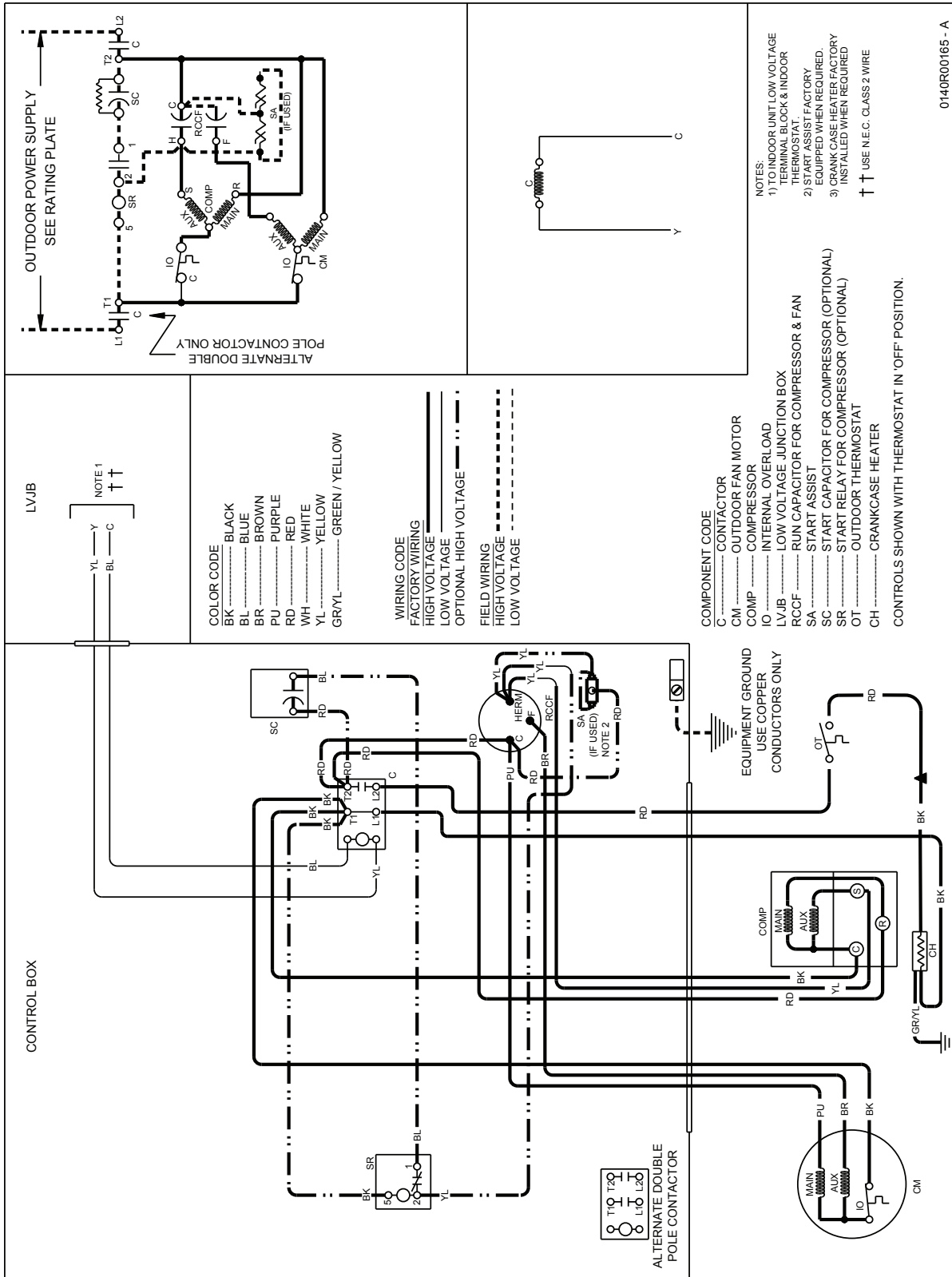
01-40R00015P-A



WARNING
 High Voltage: Disconnect all power before servicing or installing this unit. Multiple power sources may be present. Failure to do so may cause property damage, personal injury, or death.

Wiring is subject to change. Always refer to the wiring diagram or the unit for the most up-to-date wiring.

WIRING DIAGRAM — GSX130(18-24)1D*

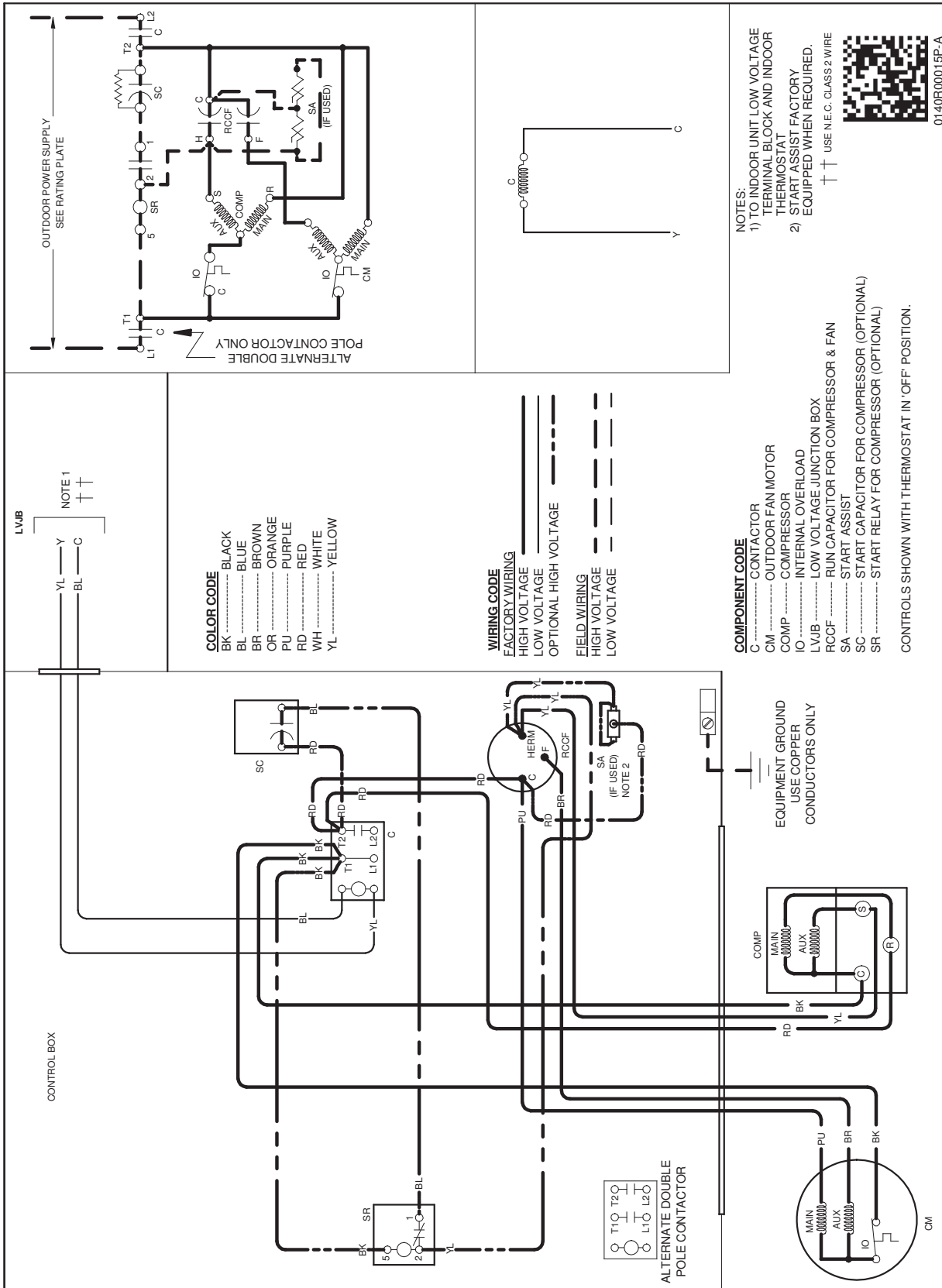


WARNING

High Voltage: Disconnect all power before servicing or installing this unit. Multiple power sources may be present. Failure to do so may cause property damage, personal injury, or death.

Wiring is subject to change. Always refer to the wiring diagram or the unit for the most up-to-date wiring.

WIRING DIAGRAM — GSX130611*



WARNING

⚠

High Voltage: Disconnect all power before servicing or installing this unit. Multiple power sources may be present. Failure to do so may cause property damage, personal injury, or death.

ACCESSORIES

MODEL	DESCRIPTION	GSX13 018D*	GSX13 018E*	GSX13 024C*	GSX13 024D*	GSX13 030B*	GSX13 036**	GSX13 042B*	GSX13 048B*	GSX13 060B*	GSX13 061A*
ABK-20	Anchor Bracket Kit ^		X	X		X	X	X	X	X	X
ABK-21	Anchor Bracket Kit ^	X			X						
ASC-01	Anti-Short Cycle Kit	X	X	X	X	X	X	X	X	X	X
CSR-U-1	Hard-start Kit		X	X	X	X	X	X	X	X	X
CSR-U-2	Hard-start Kit	X									
CSR-U-3	Hard-start Kit										
FSK01A ¹	Freeze Protection Kit	X	X	X	X	X	X	X	X	X	X
LSK02A ²	Liquid Line Solenoid Kit	X	X	X	X	X	X	X	X	X	X
TX2N4 ²	TXV Kit	X	X								
TX2N4A ²	TXV Kit	X	X	X	X						
TX3N4 ²	TXV Kit					X	X				
TX5N4 ²	TXV Kit							X	X	X	X

[^] Contains 20 brackets; four brackets needed to anchor unit to pad

¹ Installed on indoor coil

² Field-installed, non-bleed, expansion valve kit — Condensing units and heat pumps with reciprocating compressors require the use of start-assist components when used in conjunction with an indoor coil using a non-bleed thermal expansion valve refrigerant metering device or liquid line solenoid kit.

Free Manuals Download Website

<http://myh66.com>

<http://usermanuals.us>

<http://www.somanuals.com>

<http://www.4manuals.cc>

<http://www.manual-lib.com>

<http://www.404manual.com>

<http://www.luxmanual.com>

<http://aubethermostatmanual.com>

Golf course search by state

<http://golfingnear.com>

Email search by domain

<http://emailbydomain.com>

Auto manuals search

<http://auto.somanuals.com>

TV manuals search

<http://tv.somanuals.com>