



Air Conditioning & Heating

PRODUCT SPECIFICATIONS



50 Hz

2 TO 5 Ton
[7.0 kW TO 17.56 kW]

NOMINAL CAPACITY
24,000 TO 60,000 BTU/H



CPKF

SPLIT SYSTEM HEAT PUMP

This 50-Hz split system heat pump allows for ground-level or rooftop applications and has been tested for optimum performance by an independent third party.

Standard Features

- Quiet operating top discharge
- Copper tube/aluminum fin coil
- Brass suction and liquid line shut-off valves with sweat connection
- Manual reset high-pressure control
- Automatic reset low-pressure control for loss-of-charge protection
- Totally enclosed, permanently lubricated condenser motor
- Ultra-quiet hermetically sealed compressor with internal high-pressure control
- Bi-flow liquid line filter dryer
- Suction line accumulator
- Check flowrator expansion device
- Anti-cycling reversing valve circuit
- Crankcase heater (where indicated)
- Time-initiated, temperature-terminated defrost control
- Contactor with lug connections
- Ground lug connections
- CE Certified

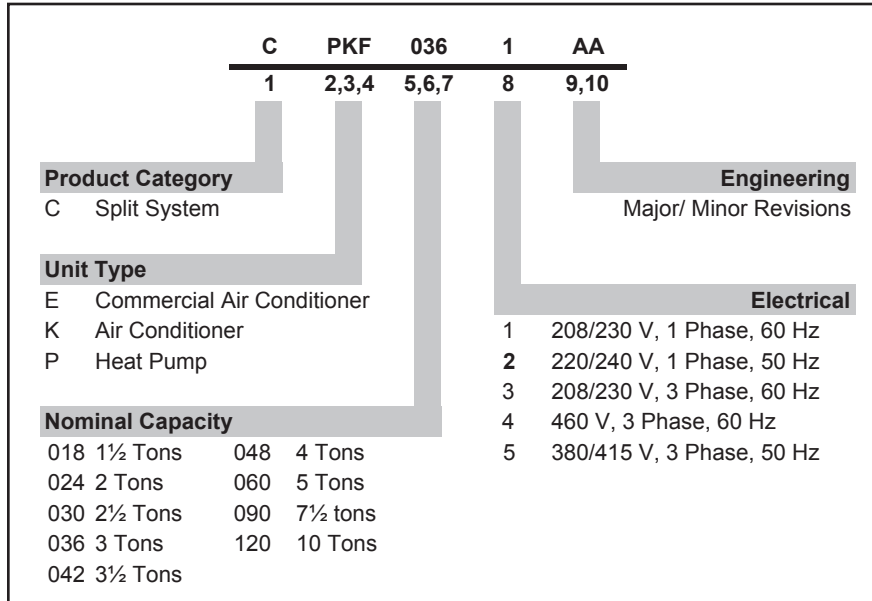
Cabinet Features

- Goodman® brand sound control design
- Heavy-gauge, galvanized-steel cabinet properly reinforced and braced
- Steel louver coil guard
- Attractive architectural gray powder-paint finish with 500-hour salt spray approval
- Removable access panels

Accessories

- Room thermostat with 2-stage heat/1-stage cool and emergency heat, capability (HPT18-60)
- Automatic change-over room thermostat with 2-stage heat/1-stage cool and emergency heat capability (HPTA18-60)
- Digital Room Thermostat for 2-stage heat/1-stage cool (CTHP18-60HD)

NOMENCLATURE



PERFORMANCE RATINGS

MODEL #	COIL / AIR HANDLER	COOLING CAPACITY (BTU/h)				HEATING CAPACITY (BTU/h)					DBs
		TOTAL	SENSIBLE	EER ¹	kWI ²	47°F	47°F COP	HSPF ³	17°F	17°F COP	
CPKF24-2*	A24-00-2RA	23,400	16,400	9.0	2.60	23,000	2.8	7.0	12,400	2.00	78
CPKF36-2/5*	A36-00-2RA	33,000	24,100	9.0	3.67	32,000	2.9	7.2	17,400	2.00	78
	A48-00-2RA	35,000	25,900	9.0	3.89	32,000	3.0	7.5	19,000	2.30	78
CPKF42-5*	A48-00-2RA	40,000	30,700	9.0	4.44	39,000	3.1	7.8	21,400	2.00	78
CPKF48-5*	A48-00-2RA	48,000	34,600	9.0	5.33	48,000	3.3	8.2	29,600	2.30	78
CPKF60-5*	A60-00-2RA	53,000	36,600	9.0	5.89	54,000	3.2	8.0	35,400	2.10	80
CPKF61-5*	A60-00-2RA	57,000	38,800	9.0	6.33	61,000	3.0	8.0	37,800	2.20	80

¹ Energy Efficiency Ratio @ 80°F / 67°F / 95°F

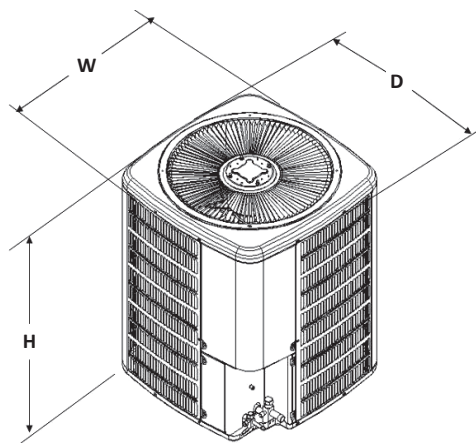
² kWI = Compressor + Indoor Blower + Outdoor Fan Watts

³ HSPF = Heating Seasonal Performance Factor

Note: When mix-matching outdoor and indoor units, the indoor unit check-flowrator must match the outdoor unit size.

DIMENSIONS

MODEL	WIDTH	DEPTH	HEIGHT
CPKF24-2*	26	26	29¾
CPKF36-2/5*	26	26	32¾
CPKF42-5*	29	29	32¾
CPKF48-5*	29	29	32¾
CPKF60-5*	29	29	38¾
CPKF61-5*	29	29	38¾



SPECIFICATIONS

	CPKF24-2*	CPKF36-2*	CPKF36-5*	CPKF42-5*	CPKF48-5*	CPKF60-5*	CPKF61-5*
CAPACITIES							
Nominal Cooling (BTU/h)	23,600	33,000	35,000	40,000	48,000	53,000	57,000
EER ¹	9.0	9.0	9.0	9.0	9.0	9.0	9.0
Nominal Heating (BTU/h)	23,000	32,000	32,000	39,000	48,000	54,000	61,000
Decibels	78	78	78	78	78	80	80
COMPRESSOR							
RLA	12.2	17.9	5.3	7.4	9.0	9.0	10.9
LRA	64	97.4	42	50	65.5	74	101
Volts	220-240	220-240	380-420	380-420	380-420	380-420	380-420
CONDENSER FAN MOTOR							
Horsepower	¼	¼	⅓	¼	⅓	⅓	⅓
FLA	0.9	0.9	1.2	0.8	1.2	1.2	1.2
Volts	220-240	220-240	380	380	380	380	380
REFRIGERATION SYSTEM							
Liquid Valve Size ("O.D.)	3/8	3/8	3/8	3/8	3/8	3/8	3/8
Suction Valve Size ("O.D.)	¾	¾	¾	⅞	⅞	⅞	⅞
Valve Type	Sweat	Sweat	Sweat	Sweat	Sweat	Sweat	Sweat
Refrigerant Charge (oz.)	72	110	110	131	137	138	167
Shipped with Orifice Size (in.)	0.059	0.073	0.073	0.080	0.084	0.093	0.093
CONDENSER FAN / COIL							
Horsepower - RPM	¼-950	¼-950	⅓-1075	¼-950	⅓-1075	⅓-1075	⅓-1075
Fan Diameter/ # Fan Blades	20/3	20/3	20/3	22/3	22/3	22/3	22/3
Outdoor Nominal CFM	1800	1800	1800	2600	2600	2600	3200
Face Area (ft ²)	13.3	14.58	14.58	14.58	17	17	1
Rows Deep/ Fins per Inch	1/19	1/19	1/19	1/19	1/19	1/22	1/22
Fin Type	Ripple	Ripple	Ripple	Ripple	Ripple	Ripple	Ripple
Coil No. of Tubes	22	24	24	24	24	36	36
Coil Tube Diameter (in.)	0.375	0.375	0.375	0.375	0.375	0.375	0.375
ELECTRICAL DATA							
Voltage-Hz / Phase	220/240-50/1			380/415-50/3			
Min. Circuit Ampacity ²	16.2	23.3	7.9	10	12.4	12.4	14.8
Max. Overcurrent Protection ³	25 amps	40 amps	15 amps	15 amps	20 amps	20 amps	25 amps
Min / Max Volts	198/264	198/264	342/456	342/456	342/456	342/456	342/456
Power Supply Conduit Size	½ or ¾	½ or ¾	½ or ¾	½ or ¾	½ or ¾	½ or ¾	½ or ¾
SHIP WEIGHT (LBS-[KG])	191 (87)	206 (94)	206 (94)	213 (97)	216 (98)	248 (113)	249 (113)

¹ Energy Efficiency Ratio

² Wire size should be determined in accordance with National Electrical Codes. Extensive wire runs will require larger wire sizes.

³ Must use time-delay fuses or HACR-type circuit breakers of the same size as noted.

Note: Always check the S&R plate for electrical data on the unit being installed.

EXPANDED COOLING DATA — CPKF24-2M & ARUF024-00*-2* / ARUF17292A*

IDB	AIRFLOW	OUTDOOR AMBIENT TEMPERATURE												ENTERING INDOOR WET BULB TEMPERATURE																				
		65°F				75°F				85°F				95°F				105°F				115°F				118°F				125°F				
		59	63	67	71	59	63	67	71	59	63	67	71	59	63	67	71	59	63	67	71	59	63	67	71	59	63	67	71	59	63	67	71	
70	808	MBh	23.0	23.8	26.1	-	22.4	23.2	25.5	-	21.9	22.7	24.9	-	21.0	21.7	23.8	-	19.5	20.2	22.1	-	18.0	18.7	20.5	-	16.9	17.5	19.1	-	16.3	16.9	18.6	-
		S/T	0.69	0.57	0.40	-	0.71	0.59	0.41	-	0.73	0.61	0.42	-	0.77	0.64	0.44	-	0.81	0.68	0.47	-	0.82	0.69	0.48	-	0.8	0.7	0.5	-	0.85	0.71	0.49	-
		ΔT	18	16	12	-	18	16	12	-	18	16	12	-	18	16	12	-	18	16	12	-	17	15	11	-	16.1	13.9	10.6	-	16	14	10	-
		kW	2.01	2.05	2.12	-	2.17	2.22	2.29	-	2.31	2.36	2.44	-	2.46	2.51	2.60	-	2.57	2.62	2.71	-	2.66	2.72	2.81	-	2.7	2.8	2.9	-	2.71	2.77	2.87	-
		Amps	10.3	10.6	10.9	-	11.1	11.3	11.7	-	12.0	12.2	12.6	-	12.7	13.0	13.4	-	13.5	13.8	14.2	-	14.2	14.6	15.0	-	14.7	15.1	15.6	-	14.9	15.3	15.8	-
	723	Hi PR	152	163	172	-	170	183	194	-	194	208	220	-	221	237	251	-	248	267	282	-	274	295	312	-	291.2	313.3	330.9	-	298	321	339	-
		Lo PR	53	56	62	-	56	60	65	-	58	62	68	-	61	65	71	-	64	68	74	-	66	70	77	-	67.3	71.6	78.2	-	68	72	79	-
		MBh	22.6	23.4	25.7	-	22.1	22.9	25.1	-	21.6	22.4	24.5	-	20.7	21.4	23.5	-	19.2	19.9	21.8	-	17.8	18.4	20.2	-	16.6	17.2	18.9	-	16.1	16.7	18.3	-
		S/T	0.66	0.55	0.38	-	0.68	0.57	0.39	-	0.70	0.58	0.40	-	0.74	0.61	0.43	-	0.78	0.65	0.45	-	0.79	0.66	0.46	-	0.8	0.7	0.5	-	0.81	0.68	0.47	-
		ΔT	19	16	12	-	19	17	13	-	19	17	13	-	19	17	13	-	19	16	13	-	18	15	12	-	17	14	11	-	17	14	11	-
638	kW	1.99	2.04	2.10	-	2.15	2.20	2.28	-	2.30	2.35	2.43	-	2.44	2.50	2.58	-	2.55	2.61	2.70	-	2.64	2.70	2.80	-	2.7	2.7	2.8	-	2.69	2.76	2.85	-	
	Amps	10.3	10.5	10.8	-	11.0	11.3	11.6	-	11.9	12.2	12.5	-	12.7	12.9	13.3	-	13.4	13.7	14.1	-	14.2	14.5	14.9	-	14.6	15.0	15.5	-	14.9	15.2	15.7	-	
	Hi PR	151	162	171	-	169	182	192	-	192	207	219	-	219	236	249	-	246	265	280	-	272	293	309	-	289.1	311.2	328.6	-	296	319	337	-	
	Lo PR	53	56	61	-	56	59	65	-	58	61	67	-	61	65	70	-	64	68	74	-	66	70	76	-	66.8	71.1	77.6	-	67	72	78	-	
	MBh	21.5	22.3	24.4	-	21.0	21.8	23.8	-	20.5	21.2	23.3	-	19.6	20.3	22.3	-	18.2	18.9	20.7	-	16.9	17.5	19.2	-	15.8	16.3	17.9	-	15.3	15.9	17.4	-	

75	808	MBh	23.3	24.0	26.0	27.9	22.8	23.5	25.4	27.3	22.3	22.9	24.8	26.6	21.3	21.9	23.8	25.5	19.8	20.4	22.1	23.7	18.3	18.9	20.4	21.9	17.1	17.6	19.1	20.5	16.6	17.1	18.5	19.9
		S/T	0.78	0.70	0.53	0.3	0.81	0.72	0.55	0.4	0.83	0.74	0.56	0.4	0.87	0.78	0.59	0.4	0.93	0.83	0.63	0.4	0.93	0.84	0.63	0.4	1.0	0.9	0.6	0.4	0.96	0.86	0.65	0.4
		ΔT	21	19	16	11	21	19	16	11	21	19	16	11	21	19	16	11	21	19	16	11	20	18	15	10.2	18.6	17.1	14.0	9.7	18	17	14	9.5
		kW	2.02	2.07	2.13	2.2	2.19	2.23	2.31	2.4	2.33	2.38	2.46	2.5	2.48	2.54	2.62	2.7	2.59	2.65	2.74	2.8	2.68	2.74	2.84	2.9	2.7	2.8	2.9	3.0	2.74	2.80	2.90	3.0
		Amps	10.4	10.7	11.0	11.3	11.2	11.4	11.8	12.2	12.1	12.4	12.7	13.2	12.8	13.1	13.5	14.0	13.6	13.9	14.4	14.9	14.4	14.7	15.2	15.7	14.9	15.2	15.7	16.3	15.1	15.4	15.9	16.5
	723	Hi PR	153	165	174	182	172	185	195	204	196	211	222	232	223	240	253	264	251	270	285	297	277	298	315	328	294	317	334	349	301	324	343	357
		Lo PR	54	57	62	66	57	60	66	70	59	63	68	73	62	66	72	76	65	69	75	80	67	71	78	83	68	72	79	84	68	73	79	85
		MBh	23.0	23.7	25.6	27.5	22.5	23.1	25.0	26.9	21.9	22.6	24.5	26.2	21.0	21.6	23.4	25.1	19.5	20.1	21.8	23.4	18.1	18.6	20.1	21.6	16.9	17.4	18.8	20.2	16.4	16.9	18.3	19.6
		S/T	0.75	0.67	0.51	0.3	0.77	0.69	0.52	0.3	0.79	0.71	0.54	0.3	0.84	0.75	0.57	0.4	0.89	0.79	0.60	0.4	0.90	0.80	0.61	0.4	0.9	0.8	0.6	0.4	0.92	0.82	0.62	0.4
		ΔT	22	20	17	11	22	20	17	12	22	20	17	12	22	21	17	12	22	20	17	11	21	19	16	10.7	19.6	18.1	14.8	10.2	19	18	14	10.0
638	kW	2.01	2.05	2.12	2.2	2.17	2.22	2.30	2.4	2.32	2.37	2.45	2.5	2.46	2.52	2.61	2.7	2.57	2.63	2.72	2.8	2.67	2.73	2.82	2.9	2.7	2.8	2.9	3.0	2.72	2.78	2.88	3.0	
	Amps	10.4	10.6	10.9	11.3	11.1	11.4	11.7	12.1	12.0	12.3	12.7	13.1	12.8	13.1	13.5	13.9	13.5	13.8	14.3	14.8	14.3	14.6	15.1	15.6	14.8	15.1	15.6	16.2	15.0	15.3	15.8	16.4	
	Hi PR	152	164	173	180	171	184	194	202	194	209	221	230	221	238	251	262	249	268	283	295	275	296	313	326	292	314	332	346	299	322	340	355	
	Lo PR	53	57	62	66	56	60	65	69	58	62	68	72	61	65	71	76	64	68	75	79	66	71	77	82	68	72	78	84	68	72	79	84	
	MBh	21.8	22.5	24.3	26.1	21.3	22.0	23.8	25.5	20.8	21.5	23.2	24.9	20.0	20.5	22.2	23.9	18.6	19.1	20.7	22.2	17.2	17.7	19.1	20.5	16.0	16.5	17.9	19.2	15.6	16.0	17.3	18.6	

IDB: Entering Indoor Dry Bulb Temperature
 High and low pressures are measured at the liquid and suction service valves.
 Shaded area reflects ACCA (TVA) conditions
 kW = Total system power
 Amps = outdoor unit amps (comp.+fan)

EXPANDED COOLING DATA — CPKF24-2M & ARUF024-00*-2* / ARUF17292A* (CONT.)

IDB	AIRFLOW	OUTDOOR AMBIENT TEMPERATURE												ENTERING INDOOR WET BULB TEMPERATURE																			
		65°F				75°F				85°F				95°F				105°F				115°F				118°F				125°F			
		59	63	67	71	59	63	67	71	59	63	67	71	59	63	67	71	59	63	67	71	59	63	67	71	59	63	67	71	59	63	67	71
808	MBh	23.8	24.3	25.9	27.7	23.2	23.7	25.3	27.1	22.7	23.2	24.7	26.5	21.7	22.2	23.7	25.3	20.2	20.6	22.0	23.5	18.7	19.1	20.4	21.8	17.4	17.8	19.0	20.4	16.9	17.3	18.5	19.7
	S/T	0.86	0.80	0.65	0.5	0.89	0.83	0.68	0.5	0.91	0.85	0.69	0.5	0.96	0.90	0.73	0.5	1.00	0.95	0.77	0.6	1.00	0.96	0.78	0.6	1.0	1.0	0.8	0.6	1.00	1.00	0.81	0.6
	ΔT	23	22	19	15	23	22	20	16	24	23	20	16	24	23	20	16	24	23	20	16	21	21	18	14.5	19.8	20.0	17.3	13.8	19	20	17	13.5
	kW	2.04	2.08	2.15	2.2	2.20	2.25	2.33	2.4	2.35	2.40	2.49	2.6	2.50	2.56	2.65	2.7	2.61	2.67	2.76	2.9	2.71	2.77	2.86	3.0	2.7	2.8	2.9	3.0	2.76	2.82	2.92	3.0
	Amps	10.5	10.7	11.1	11.4	11.3	11.5	11.9	12.3	12.2	12.5	12.8	13.3	13.0	13.3	13.7	14.1	13.7	14.0	14.4	15.0	14.5	14.8	15.3	15.8	15.0	15.3	15.8	16.4	15.2	15.6	16.1	16.6
	Hi PR	155	167	176	184	174	187	197	206	198	213	225	234	225	242	256	267	253	272	288	300	280	301	318	332	297	320	338	352	305	328	346	361
	Lo PR	54	58	63	67	57	61	66	71	59	63	69	73	62	66	72	77	65	70	76	81	68	72	78	84	69	73	80	85	69	74	80	86
	MBh	23.4	23.9	25.6	27.3	22.9	23.4	25.0	26.7	22.3	22.8	24.4	26.1	21.4	21.8	23.3	24.9	19.9	20.3	21.7	23.2	18.4	18.8	20.1	21.5	17.2	17.6	18.8	20.1	16.7	17.0	18.2	19.5
	S/T	0.82	0.77	0.63	0.5	0.85	0.80	0.65	0.5	0.87	0.82	0.67	0.5	0.92	0.86	0.70	0.5	0.97	0.91	0.74	0.6	0.98	0.92	0.75	0.6	1.0	0.9	0.8	0.6	1.00	0.95	0.77	0.6
	ΔT	24	23	20	16	25	24	21	16	25	24	21	16	25	24	21	17	25	24	20	16	23	22	19	15.3	21.7	21.0	18.2	14.6	21	21	18	14.3
723	kW	2.03	2.07	2.14	2.2	2.19	2.24	2.32	2.4	2.34	2.39	2.47	2.6	2.49	2.54	2.63	2.7	2.60	2.66	2.75	2.8	2.69	2.75	2.85	2.9	2.7	2.8	2.9	3.0	2.74	2.81	2.90	3.0
	Amps	10.5	10.7	11.0	11.4	11.2	11.5	11.8	12.2	12.1	12.4	12.8	13.2	12.9	13.2	13.6	14.1	13.6	14.0	14.4	14.9	14.4	14.7	15.2	15.7	14.9	15.3	15.7	16.3	15.1	15.5	16.0	16.5
	Hi PR	154	165	175	182	173	186	196	205	196	211	223	233	224	241	254	265	251	271	286	298	278	299	316	329	295	318	335	350	302	325	344	358
	Lo PR	54	57	62	66	57	60	66	70	59	63	68	73	62	66	72	77	65	69	75	80	67	71	78	83	68	73	79	84	69	73	78	83
	MBh	22.2	22.7	24.3	25.9	21.7	22.2	23.7	25.4	21.2	21.7	23.2	24.8	20.3	20.7	22.2	23.7	18.9	19.3	20.6	22.0	17.5	17.8	19.1	20.4	16.3	16.7	17.8	19.1	15.8	16.2	17.3	18.5
	S/T	0.79	0.74	0.60	0.4	0.81	0.76	0.62	0.5	0.83	0.78	0.64	0.5	0.88	0.82	0.67	0.5	0.93	0.87	0.71	0.5	0.94	0.88	0.72	0.5	1.0	0.9	0.7	0.5	0.97	0.91	0.74	0.6
	ΔT	25	24	21	17	25	24	21	17	26	24	21	17	26	25	21	17	25	24	21	17	24	23	20	15.8	22.6	21.6	18.8	15.0	22	21	18	14.7
	kW	1.99	2.04	2.10	2.2	2.15	2.20	2.28	2.4	2.30	2.35	2.43	2.5	2.44	2.50	2.58	2.7	2.55	2.61	2.70	2.8	2.64	2.70	2.80	2.9	2.7	2.7	2.8	2.9	2.69	2.76	2.85	3.0
	Amps	10.3	10.5	10.8	11.2	11.0	11.3	11.6	12.0	11.9	12.2	12.5	13.0	12.7	12.9	13.3	13.8	13.4	13.7	14.1	14.6	14.2	14.5	14.9	15.5	14.6	15.0	15.5	16.0	14.9	15.2	15.7	16.2
	Hi PR	151	162	171	179	169	182	192	200	192	207	219	228	219	236	249	260	246	265	280	292	272	293	309	323	289	311	329	343	296	319	337	351
Lo PR	53	56	61	65	56	59	65	69	58	61	67	71	61	65	70	75	64	68	74	79	66	70	76	81	67	71	78	83	67	72	78	83	

808	MBh	24.2	24.6	25.8	27.5	23.6	24.1	25.2	26.9	23.1	23.5	24.6	26.3	22.1	22.5	23.6	25.1	20.5	20.9	21.9	23.4	19.0	19.4	20.3	21.6	17.7	18.1	18.9	20.2	17.2	17.6	18.4	19.6
	S/T	0.90	0.87	0.78	0.6	0.93	0.90	0.81	0.7	0.95	0.92	0.83	0.7	1.00	0.97	0.87	0.7	1.00	1.00	0.93	0.8	1.00	1.00	0.94	0.8	1.0	1.0	1.0	0.8	1.00	1.00	0.96	0.8
	ΔT	25	24	23	20	25	25	23	20	25	25	23	20	25	25	23	20	23	24	23	20	22	22	22	18.7	20.2	20.6	20.6	17.8	20	20	20	17.4
	kW	2.06	2.10	2.17	2.2	2.22	2.27	2.35	2.4	2.37	2.42	2.51	2.6	2.52	2.58	2.67	2.8	2.63	2.69	2.79	2.9	2.73	2.79	2.89	3.0	2.8	2.8	2.9	3.0	2.78	2.85	2.95	3.1
	Amps	10.6	10.8	11.2	11.5	11.4	11.6	12.0	12.4	12.3	12.6	12.9	13.4	13.1	13.4	13.8	14.3	13.8	14.2	14.6	15.1	14.6	15.0	15.4	16.0	15.1	15.5	16.0	16.5	15.3	15.7	16.2	16.8
	Hi PR	156	168	178	185	176	189	199	208	200	215	227	237	227	245	258	269	256	275	291	303	283	304	321	335	300	323	341	356	308	331	350	365
	Lo PR	55	58	63	68	58	61	67	71	60	64	70	74	63	67	73	78	66	70	77	82	68	73	79	84	69	74	81	86	70	74	81	86
	MBh	23.8	24.3	25.4	27.1	23.3	23.7	24.8	26.5	22.7	23.2	24.3	25.9	21.7	22.2	23.2	24.8	20.2	20.6	21.6	23.0	18.7	19.1	20.0	21.3	17.5	17.8	18.7	19.9	17.0	17.3	18.1	19.3
	S/T	0.86	0.83	0.75	0.6	0.89	0.86	0.78	0.6	0.91	0.88	0.80	0.6	0.96	0.93	0.84	0.7	1.00	0.98	0.89	0.7	1.00	0.99	0.90	0.7	1.0	1.0	0.9	0.7	1.00	1.00	0.92	0.7
	ΔT	26	26	24	21	26	26	25	21	26	26	25	21	27	26	25	21	26	26	24	21	24	24	23	19.7	22.2	22.6	21.7	18.8	22	22	21	18.4
85	kW	2.04	2.09	2.16	2.2	2.21	2.26	2.34	2.4	2.36	2.41	2.49	2.6	2.51	2.57	2.65	2.7	2.62	2.68	2.77	2.9	2.71	2.78	2.87	3.0	2.8	2.8	2.9	3.0	2.77	2.83	2.93	3.0
	Amps	10.5	10.8	11.1	11.5	11.3	11.6	11.9	12.3	12.2	12.5	12.9	13.3	13.0	13.3	13.7	14.2	13.8	14.1	14.5	15.0	14.5	14.9	15.3	15.9	15.0	15.4	15.9	16.4	15.3	15.6	16.1	16.7
	Hi PR	155	167	176	184	174	188	198	207	198	213	225	235	226	243	257	268	254	273	289	301	281	302	319	333	298	321	339	353	305	329	347	362
	Lo PR	54	58	63	67	57	61	67	71	60	63	69	74	63	67	73	77	66	70	76	81	68	72	79	84	69	73	80	85	69	74	81	86
	MBh	22.6	23.1	24.2	25.8	22.1	22.5	23.6	25.2	21.6	22.0	23.0	24.6	20.7	21.1	22.1	23.5	19.2	19.6	20.5	21.9	17.8	18.1	19.0	20.2	16.6	16.9	17.7	18.9	16.1	16.4	17.2	18.4
	S/T	0.82	0.80	0.72	0.6	0.85	0.82	0.74	0.6	0.87	0.84	0.76	0.6	0.92	0.89	0.80	0.7	0.98	0.94	0.85	0.7	0.99	0.95	0.86	0.7	1.0	1.0	0.9	0.7	1.00	0.98	0.88	0.7
	ΔT	27	26	25	22	27	27	25	22	27	27	25	22	27	27	25	22	27	27	25	22	25	25	23	20.3	23.8	23.7	22.4	19.4	23	23	22	19.0
	kW	2.01	2.05	2.12	2.2	2.17	2.22	2.30	2.4	2.32	2.37	2.45	2.5	2.46	2.52	2.61	2.7	2.57	2.63	2.72	2.8	2.67	2.73	2.82	2.9	2.7	2.7	2.8	2.9	2.72	2.78	2.88	3.0
	Amps	10.4	10.6	10.9	11.3	11.1	11.4	11.7	12.1	12.0	12.3	12.7	13.1	12.8	13.1	13.5	13.9	13.5	13.8	14.3	14.8	14.3	14.6	15.1	15.6	14.8	15.1	15.6	16.2	15.0	15.3	15.8	16.4
	Hi PR	152	164	173	180	171	184	194	202	194	209	221	230	221	238	251	262	249	268	283	295	275	296	313	326								

EXPANDED COOLING DATA — CPKF36-2M / ARUF036-00*-2*

IDB	AIRFLOW	OUTDOOR AMBIENT TEMPERATURE												115°F	118°F			125°F																
		65°F						75°F							85°F			95°F			105°F			115°F			125°F							
		59	63	67	71	59	63	67	71	59	63	67	71		59	63	67	71	59	63	67	71	59	63	67	71	59	63	67	71	59	63	67	71
70	1286	MBh	34.2	35.5	38.9	-	33.4	34.7	38.0	-	32.7	33.8	37.1	-	31.2	32.4	35.5	-	29.1	30.1	33.0	-	26.9	27.9	30.5	-	25.1	26.0	28.5	-	24.4	25.3	27.7	-
		S/T	0.71	0.59	0.41	-	0.74	0.62	0.43	-	0.76	0.63	0.44	-	0.79	0.66	0.46	-	0.84	0.70	0.49	-	0.85	0.71	0.49	-	0.9	0.7	0.5	-	0.88	0.73	0.51	-
		ΔT	17	15	11	-	18	15	12	-	18	15	12	-	17	15	11	-	16	14	11	-	16	14	11	-	15.6	13.5	10.2	-	15	13	10	-
		kW	2.99	3.06	3.17	-	3.25	3.33	3.44	-	3.48	3.56	3.69	-	3.71	3.80	3.94	-	3.88	3.98	4.12	-	4.03	4.13	4.28	-	4.1	4.2	4.3	-	4.12	4.22	4.37	-
		Amps	15.4	15.8	16.3	-	16.6	17.0	17.5	-	18.0	18.4	19.0	-	19.2	19.7	20.3	-	20.4	20.9	21.6	-	21.6	22.2	22.9	-	22.4	23.0	23.7	-	22.8	23.3	24.1	-
		Hi PR	165	178	188	-	185	199	210	-	211	227	239	-	240	258	273	-	240	258	273	-	270	290	307	-	316.7	340.8	359.9	-	325	349	369	-
	1151	Lo PR	59	63	69	-	62	66	73	-	65	69	75	-	68	73	79	-	71	76	83	-	74	79	86	-	75.1	79.9	87.3	-	76	80	88	-
		MBh	33.7	34.9	38.3	-	32.9	34.1	37.4	-	32.2	33.3	36.5	-	30.8	31.9	35.0	-	28.6	29.7	32.5	-	26.5	27.4	30.1	-	24.8	25.7	28.1	-	24.0	24.9	27.3	-
		S/T	0.68	0.57	0.39	-	0.71	0.59	0.41	-	0.72	0.60	0.42	-	0.76	0.64	0.44	-	0.81	0.67	0.47	-	0.81	0.68	0.47	-	0.8	0.7	0.5	-	0.84	0.70	0.49	-
		ΔT	18	16	12	-	19	16	12	-	19	16	12	-	19	16	12	-	18	16	12	-	17	15	11	-	16.4	14.2	10.8	-	16	14	11	-
		kW	2.97	3.04	3.15	-	3.23	3.30	3.42	-	3.46	3.54	3.66	-	3.69	3.78	3.91	-	3.86	3.95	4.10	-	4.01	4.10	4.25	-	4.1	4.2	4.3	-	4.09	4.19	4.34	-
		Amps	15.3	15.7	16.2	-	16.5	16.9	17.4	-	17.9	18.3	18.9	-	19.1	19.6	20.2	-	20.3	20.8	21.5	-	21.5	22.0	22.7	-	22.3	22.8	23.6	-	22.6	23.2	23.9	-
1016	Hi PR	164	176	186	-	184	198	209	-	209	225	238	-	238	256	271	-	268	288	305	-	296	319	337	-	314.5	338.5	357.4	-	322	347	366	-	
	Lo PR	59	62	68	-	62	66	72	-	64	69	75	-	68	72	79	-	71	76	82	-	73	78	85	-	74.6	79.4	86.7	-	75	80	87	-	
	MBh	32.0	33.2	36.4	-	31.3	32.4	35.5	-	30.6	31.7	34.7	-	29.2	30.3	33.2	-	27.2	28.2	30.9	-	25.2	26.1	28.6	-	23.5	24.4	26.7	-	22.8	23.6	25.9	-	
	S/T	0.65	0.54	0.38	-	0.68	0.56	0.39	-	0.69	0.58	0.40	-	0.73	0.61	0.42	-	0.77	0.65	0.45	-	0.78	0.65	0.45	-	0.8	0.7	0.5	-	0.80	0.67	0.46	-	
	ΔT	19	16	12	-	19	17	13	-	19	17	13	-	19	17	13	-	19	16	12	-	18	15	12	-	16.9	14.7	11.1	-	17	14	11	-	
	kW	2.92	2.99	3.09	-	3.17	3.25	3.36	-	3.39	3.47	3.60	-	3.62	3.71	3.84	-	3.79	3.88	4.02	-	3.93	4.03	4.17	-	4.0	4.1	4.2	-	4.01	4.11	4.26	-	
75	1286	Amps	15.0	15.4	15.9	-	16.2	16.6	17.1	-	17.6	18.0	18.6	-	18.8	19.2	19.8	-	19.9	20.4	21.1	-	21.1	21.6	22.3	-	21.9	22.4	23.1	-	22.2	22.7	23.5	-
		Hi PR	161	173	183	-	180	194	205	-	205	221	233	-	234	251	265	-	263	283	299	-	290	312	330	-	308.2	331.7	350.3	-	316	340	359	-
		Lo PR	58	61	67	-	61	65	71	-	63	67	73	-	66	71	77	-	70	74	81	-	72	77	84	-	73	78	85	-	74	78	86	-
		MBh	34.8	35.8	38.8	41.6	34.0	35.0	37.9	40.7	33.2	34.2	37.0	39.7	31.8	32.7	35.4	38.0	29.6	30.4	32.9	35.3	27.3	28.1	30.5	32.7	25.5	26.3	28.5	30.6	24.8	25.5	27.6	29.6
		S/T	0.81	0.72	0.55	0.4	0.84	0.75	0.57	0.4	0.86	0.77	0.58	0.4	0.90	0.81	0.61	0.4	0.96	0.86	0.65	0.4	0.97	0.87	0.65	0.4	1.0	0.9	0.7	0.4	1.00	0.89	0.67	0.4
		ΔT	20	19	15	10	20	19	15	11	20	19	15	11	21	19	15	11	20	19	15	11	20	18	14	9.8	18.0	16.6	13.6	9.4	18	16	13	9.2
1151	1286	kW	3.02	3.09	3.20	3.3	3.28	3.36	3.47	3.6	3.51	3.59	3.72	3.9	3.75	3.84	3.97	4.1	3.92	4.01	4.16	4.3	4.07	4.17	4.32	4.5	4.1	4.2	4.4	4.5	4.15	4.26	4.41	4.6
		Amps	15.5	15.9	16.4	17.0	16.8	17.1	17.7	18.4	18.2	18.6	19.2	19.9	19.4	19.9	20.5	21.3	20.6	21.1	21.8	22.6	21.8	22.4	23.1	24.0	22.6	23.2	23.9	24.9	23.0	23.5	24.3	25.2
		Hi PR	167	179	190	198	187	201	213	222	213	229	242	252	242	261	275	287	273	293	310	323	301	324	342	357	320	344	364	379	328	353	373	389
		Lo PR	60	64	69	74	63	67	73	78	66	70	76	81	69	73	80	85	72	77	84	89	75	79	87	92	76	81	88	94	76	81	89	95
		MBh	34.3	35.3	38.2	41.0	33.5	34.5	37.3	40.1	32.7	33.7	36.5	39.1	31.3	32.2	34.9	37.4	29.1	30.0	32.4	34.8	26.9	27.7	30.0	32.2	25.2	25.9	28.1	30.1	24.4	25.1	27.2	29.2
		S/T	0.77	0.69	0.52	0.3	0.80	0.72	0.54	0.3	0.82	0.74	0.56	0.4	0.86	0.77	0.59	0.4	0.92	0.82	0.62	0.4	0.93	0.83	0.63	0.4	0.9	0.8	0.6	0.4	0.95	0.85	0.65	0.4
1016	1286	ΔT	21	20	16	11	21	20	16	11	21	20	16	11	22	20	16	11	21	20	16	11	20	18	15	10.4	19.0	17.5	14.3	9.9	19	17	14	9.7
		kW	3.00	3.07	3.18	3.3	3.26	3.33	3.45	3.6	3.49	3.57	3.70	3.8	3.72	3.81	3.95	4.1	3.89	3.99	4.13	4.3	4.04	4.14	4.29	4.4	4.1	4.2	4.4	4.5	4.13	4.23	4.38	4.5
		Amps	15.4	15.8	16.3	16.9	16.7	17.0	17.6	18.2	18.1	18.5	19.1	19.8	19.3	19.7	20.4	21.1	20.5	21.0	21.7	22.5	21.7	22.2	23.0	23.8	22.5	23.0	23.8	24.7	22.8	23.4	24.2	25.1
		Hi PR	166	178	188	196	186	200	211	220	211	227	240	250	241	259	274	285	271	291	308	321	299	322	340	355	318	342	361	377	326	350	370	386
		Lo PR	59	63	69	73	63	67	73	78	65	69	76	81	68	73	79	85	72	76	83	89	74	79	86	92	75	80	88	93	76	81	88	94
		MBh	32.6	33.5	36.3	39.0	31.8	32.8	35.5	38.1	31.1	32.0	34.6	37.2	29.7	30.6	33.1	35.6	27.7	28.5	30.8	33.1	25.6	26.3	28.5	30.6	23.2	23.9	26.7	28.6	23.2	23.9	25.9	27.7
1016	1286	S/T	0.74	0.66	0.50	0.3	0.77	0.69	0.52	0.3	0.79	0.70	0.53	0.3	0.83	0.74	0.56	0.4	0.88	0.79	0.59	0.4	0.89	0.79	0.60	0.4	0.9	0.8	0.6	0.4	0.91	0.82	0.62	0.4
		ΔT	22	20	16	11	22	20	17	12	22	20	17	12	22	21	17	12	22	20	17	11	21	19	15	10.7	19.6	18.0	14.8	10.2	19	18	14	10.0
		kW	2.94	3.01	3.12	3.2	3.20	3.28	3.39	3.5	3.42	3.51	3.63	3.8	3.66	3.74	3.88	4.0	3.82	3.92	4.06	4.2	3.97	4.07	4.21	4.4	4.0	4.1	4.3	4.4	4.05	4.15	4.30	4.5
		Amps	15.2	15.5	16.0	16.6	16.4	16.7	17.3	17.9	17.7	18.2	18.7	19.4	18.9	19.4	20.0	20.8	20.1	20.6	21.3	22.1	21.3	21.8	22.5	23.4	22.1	22.6	23.4	24.2	22.4	22.9	23.7	24.6
		Hi PR	162	175	184	192	182	196	207	216	207	223	235	245	236	254	268	280	265	286	302	315	293	316	333	348	311	335	354	369	319	343	363	378
		Lo PR	58	62	68	72	61	65	71	76	64	68	74	79	67	71	78	83	70	75	82	87	73	77	84	90	74	79	86	91	74	79	86	92

IDB: Entering Indoor Dry Bulb Temperature
 High and low pressures are measured at the liquid and suction service valves.
 Shaded area reflects ACCA (TVA) conditions
 kW = Total system power
 Amps = outdoor unit amps (comp. +fan)

EXPANDED COOLING DATA — CPKF36-2M / ARUF036-00*-2* (CONT.)

IDB	AIRFLOW	OUTDOOR AMBIENT TEMPERATURE												ENTERING INDOOR WET BULB TEMPERATURE																			
		65°F				75°F				85°F				95°F				105°F				115°F				118°F				125°F			
		59	63	67	71	59	63	67	71	59	63	67	71	59	63	67	71	59	63	67	71	59	63	67	71	59	63	67	71	59	63	67	71
80	MBh	35.4	36.2	38.7	41.3	34.6	35.4	37.8	40.4	33.8	34.5	36.9	39.4	32.3	33.0	35.3	37.7	30.1	30.7	32.8	35.1	27.8	28.4	30.4	32.5	26.0	26.6	28.4	30.3	25.2	25.8	27.5	29.4
	S/T	0.89	0.83	0.68	0.5	0.92	0.86	0.70	0.5	0.94	0.88	0.72	0.5	1.00	0.93	0.76	0.6	1.00	0.98	0.80	0.6	1.00	1.00	0.81	0.6	1.0	1.0	0.8	0.6	1.00	1.00	0.83	0.6
	ΔT	22	22	19	15	23	22	19	15	23	22	19	15	21	22	19	15	21	22	19	15	20	20	18	14	18.6	19.0	16.8	13.4	18	18	16	13.1
	kW	3.04	3.12	3.22	3.3	3.31	3.39	3.51	3.6	3.54	3.63	3.76	3.9	3.78	3.87	4.01	4.2	3.96	4.05	4.20	4.4	4.11	4.21	4.36	4.5	4.2	4.3	4.4	4.6	4.19	4.29	4.45	4.6
	Amps	15.7	16.0	16.5	17.1	16.9	17.3	17.9	18.5	18.3	18.8	19.4	20.1	19.6	20.0	20.7	21.5	20.8	21.3	22.0	22.8	22.0	22.6	23.3	24.2	22.8	23.4	24.2	25.1	23.2	23.7	24.5	25.5
	Hi PR	168	181	191	200	189	203	215	224	215	231	244	255	245	263	278	290	275	296	313	326	304	328	346	361	323	348	367	383	331	356	376	393
	Lo PR	60	64	70	75	64	68	74	79	66	71	77	82	70	74	81	86	73	78	85	90	75	80	88	93	77	82	89	95	77	82	90	95
	MBh	34.9	35.7	38.1	40.7	34.1	34.8	37.2	39.8	33.3	34.0	36.4	38.9	31.9	32.6	34.8	37.2	29.6	30.3	32.4	34.6	27.4	28.0	29.9	32.0	25.6	26.2	28.0	29.9	24.9	25.4	27.1	29.0
	S/T	0.85	0.80	0.65	0.5	0.88	0.82	0.67	0.5	0.90	0.85	0.69	0.5	0.95	0.89	0.72	0.5	1.00	0.94	0.77	0.6	1.00	0.95	0.78	0.6	1.0	1.0	0.8	0.6	1.00	0.98	0.80	0.6
	ΔT	24	23	20	16	24	23	20	16	24	23	20	16	24	23	20	16	24	23	20	16	22	21	19	14.8	20.5	20.3	17.7	14.1	20	20	17	13.8
	kW	3.02	3.10	3.20	3.3	3.29	3.37	3.48	3.6	3.52	3.60	3.73	3.9	3.76	3.85	3.99	4.1	3.93	4.03	4.17	4.3	4.08	4.18	4.33	4.5	4.1	4.2	4.4	4.6	4.17	4.27	4.42	4.6
	Amps	15.6	15.9	16.4	17.0	16.8	17.2	17.8	18.4	18.2	18.7	19.3	20.0	19.4	19.9	20.6	21.3	20.7	21.2	21.9	22.7	21.9	22.4	23.2	24.0	22.7	23.2	24.0	24.9	23.0	23.6	24.4	25.3
Hi PR	167	180	190	198	188	202	213	222	213	230	243	253	243	262	276	288	274	294	311	324	302	325	343	358	321	345	365	380	329	354	374	390	
Lo PR	60	64	70	74	63	67	74	78	66	70	76	81	69	74	80	86	72	77	84	90	75	80	87	93	76	81	88	94	77	82	89	95	
MBh	33.1	33.9	36.2	38.7	32.4	33.1	35.4	37.8	31.6	32.3	34.5	36.9	30.3	30.9	33.0	35.3	28.2	28.8	30.7	32.9	26.0	26.6	28.4	30.4	24.3	24.9	26.6	28.4	23.6	24.1	25.8	27.6	
S/T	0.81	0.76	0.62	0.5	0.84	0.79	0.64	0.5	0.86	0.81	0.66	0.5	0.91	0.85	0.69	0.5	0.96	0.90	0.74	0.5	0.97	0.91	0.74	0.6	1.0	0.9	0.8	0.6	1.00	0.94	0.76	0.6	
ΔT	24	23	20	16	25	24	21	16	25	24	21	16	25	24	21	17	25	24	20	16	23	22	19	15.3	21.9	21.0	18.2	14.6	21	21	18	14.3	
kW	2.97	3.04	3.15	3.3	3.23	3.30	3.42	3.5	3.46	3.54	3.66	3.8	3.69	3.78	3.91	4.1	3.86	3.95	4.10	4.2	4.01	4.10	4.25	4.4	4.1	4.2	4.3	4.5	4.09	4.19	4.34	4.5	
Amps	15.3	15.7	16.2	16.7	16.5	16.9	17.4	18.1	17.9	18.3	18.9	19.6	19.1	19.6	20.2	20.9	20.3	20.8	21.5	22.3	21.5	22.0	22.7	23.6	22.3	22.8	23.6	24.5	22.6	23.2	23.9	24.8	
Hi PR	164	176	186	194	184	198	209	218	209	225	238	248	238	256	271	282	268	288	305	318	296	319	337	351	315	338	357	373	322	347	366	382	
Lo PR	59	62	68	73	62	66	72	77	64	69	75	80	68	72	79	84	71	76	82	88	73	78	85	91	75	79	87	92	75	80	87	93	
85	MBh	36.0	36.7	38.5	41.0	35.2	35.9	37.6	40.1	34.4	35.1	36.7	39.2	32.9	33.5	35.1	37.5	30.6	31.2	32.7	34.9	28.3	28.8	30.2	32.2	26.5	27.0	28.2	30.1	25.7	26.2	27.4	29.2
	S/T	0.93	0.90	0.81	0.7	0.96	0.93	0.84	0.7	0.99	0.95	0.86	0.7	1.00	1.00	0.90	0.7	1.00	1.00	0.96	0.8	1.00	1.00	0.97	0.8	1.0	1.0	1.0	0.8	1.00	1.00	1.00	0.8
	ΔT	24	24	22	19	24	24	23	19	24	24	23	19	24	24	23	20	22	22	22	19	20	21	21	18.1	18.9	19.3	19.9	17.3	18	19	20	16.9
	kW	3.07	3.14	3.25	3.4	3.34	3.42	3.54	3.7	3.57	3.66	3.79	3.9	3.82	3.91	4.05	4.2	3.99	4.09	4.24	4.4	4.14	4.25	4.40	4.6	4.2	4.3	4.5	4.6	4.23	4.33	4.49	4.7
	Amps	15.8	16.2	16.7	17.3	17.1	17.5	18.0	18.7	18.5	18.9	19.6	20.3	19.7	20.2	20.9	21.7	21.0	21.5	22.2	23.1	22.2	22.8	23.5	24.4	23.0	23.6	24.4	25.3	23.4	24.0	24.8	25.7
	Hi PR	170	183	193	202	191	205	217	226	217	234	247	257	247	266	281	293	278	299	316	330	307	331	349	364	326	351	371	387	335	360	380	397
	Lo PR	61	65	71	75	64	69	75	80	67	71	78	83	70	75	82	87	74	78	86	91	76	81	89	94	77	82	90	96	78	83	91	96
	MBh	35.5	36.2	37.9	40.4	34.7	35.4	37.0	39.5	33.9	34.5	36.2	38.6	32.4	33.0	34.6	36.9	30.2	30.7	32.2	34.3	27.9	28.4	29.8	31.8	26.1	26.6	27.8	29.7	25.3	25.8	27.0	28.8
	S/T	0.89	0.86	0.78	0.6	0.92	0.89	0.80	0.7	0.94	0.91	0.82	0.7	0.99	0.96	0.87	0.7	1.00	1.00	0.92	0.7	1.00	1.00	0.93	0.8	1.0	1.0	0.9	0.8	1.00	1.00	0.95	0.8
	ΔT	25	25	23	20	26	25	24	21	26	25	24	21	26	25	24	21	24	25	24	20	22	23	22	19.1	20.8	21.2	21.0	18.2	20	21	21	17.8
	kW	3.05	3.12	3.23	3.3	3.32	3.40	3.52	3.6	3.55	3.64	3.77	3.9	3.79	3.88	4.02	4.2	3.97	4.06	4.21	4.4	4.12	4.22	4.37	4.5	4.2	4.3	4.4	4.6	4.20	4.31	4.46	4.6
	Amps	15.7	16.1	16.6	17.2	16.9	17.3	17.9	18.6	18.4	18.8	19.4	20.2	19.6	20.1	20.8	21.5	20.9	21.4	22.1	22.9	22.1	22.6	23.4	24.3	22.9	23.5	24.2	25.2	23.2	23.8	24.6	25.5
Hi PR	169	182	192	200	190	204	215	225	216	232	245	256	246	264	279	291	276	297	314	327	305	328	347	362	324	349	368	384	332	358	378	394	
Lo PR	61	64	70	75	64	68	74	79	66	71	77	82	70	74	81	86	73	78	85	91	76	81	88	94	77	82	89	95	77	82	90	96	
MBh	33.7	34.4	36.0	38.4	33.0	33.6	35.2	37.5	32.2	32.8	34.4	36.7	30.8	31.4	32.9	35.1	28.6	29.2	30.6	32.6	26.5	27.0	28.3	30.2	24.8	25.2	26.4	28.2	24.0	24.5	25.6	27.4	
S/T	0.85	0.82	0.74	0.6	0.88	0.85	0.77	0.6	0.91	0.87	0.79	0.6	0.95	0.92	0.83	0.7	1.00	0.97	0.88	0.7	1.00	0.98	0.89	0.7	1.0	1.0	0.9	0.7	1.00	1.00	0.91	0.7	
ΔT	26	26	24	21	26	26	24	21	26	26	25	21	26	26	25	21	26	26	24	21	24	24	23	19.7	22.4	22.7	21.7	18.8	22	22	21	18.4	
kW	3.00	3.07	3.18	3.3	3.26	3.33	3.45	3.6	3.49	3.57	3.70	3.8	3.72	3.81	3.95	4.1	3.89	3.99	4.13	4.3	4.04	4.14	4.29	4.4	4.1	4.2	4.4	4.5	4.13	4.23	4.38	4.5	
Amps	15.4	15.8	16.3	16.9	16.6	17.0	17.6	18.2	18.1	18.5	19.1	19.8	19.3	19.7	20.4	21.1	20.5	21.0	21.7	22.5	21.7	22.2	23.0	23.8	22.5	23.0	23.8	24.7	22.8	23.4	24.1	25.1	
Hi PR	166	178	188	196	186	200	211	220	211	227	240	250	241	259	273	285	271	291	308	321	299	322	340	355	318	342	361	377	326	350	370	386	
Lo PR	59																																

EXPANDED COOLING DATA — CPKF36-5M & ARUF048-00*-2* (CONT.)

IDB	AIRFLOW	OUTDOOR AMBIENT TEMPERATURE												ENTERING INDOOR WET BULB TEMPERATURE																			
		65°F				75°F				85°F				95°F				105°F				115°F				118°F				125°F			
		59	63	67	71	59	63	67	71	59	63	67	71	59	63	67	71	59	63	67	71	59	63	67	71	59	63	67	71	59	63	67	71
80	MBh	34.05	35.63	38.06	40.69	34.05	34.80	37.18	39.74	33.24	33.97	36.29	38.80	32.43	33.14	35.41	37.85	30.81	31.48	33.64	35.96	28.54	29.16	31.16	33.31	26.72	27.31	29.18	31.19	25.95	26.51	28.33	30.28
	S/T	0.92	0.87	0.70	0.53	0.96	0.90	0.73	0.55	0.98	0.92	0.75	0.56	1.00	0.95	0.77	0.58	1.00	1.00	0.80	0.60	1.00	1.00	0.81	0.60	1.00	1.00	0.83	0.62	1.00	1.00	0.84	0.63
	ΔT	23	22	19	15	23	22	19	15	23	22	19	15	23	22	19	16	22	22	19	15	20	21	18	14	19	19	17	14	18	19	17	14
	kW	2.75	2.81	2.90	2.99	3.12	3.19	3.29	3.40	3.44	3.51	3.63	3.75	3.76	3.84	3.97	4.11	4.05	4.14	4.28	4.43	4.32	4.42	4.57	4.73	4.55	4.66	4.82	4.99	4.65	4.76	4.93	5.10
	Amps	5.8	5.9	6.1	6.3	6.2	6.3	6.5	6.7	6.6	6.8	6.9	7.2	7.0	7.1	7.3	7.6	7.4	7.5	7.7	8.0	7.7	7.9	8.1	8.4	8.0	8.1	8.4	8.6	8.1	8.2	8.5	8.8
	Hi PR	173	186	197	205	194	209	221	230	221	238	251	262	252	271	286	298	283	305	322	336	313	337	355	371	332	357	378	394	341	366	387	404
	Lo PR	61	65	71	75	64	68	75	80	67	71	78	83	70	75	82	87	74	78	85	91	76	81	88	94	77	82	90	96	78	83	90	96
	MBh	34.4	35.1	37.5	40.1	33.6	34.3	36.6	39.2	32.8	33.5	35.8	38.2	32.0	32.7	34.9	37.3	30.4	31.0	33.1	35.4	28.1	28.7	30.7	32.8	26.3	26.9	28.7	30.7	25.6	26.1	27.9	29.8
	S/T	0.88	0.83	0.67	0.50	0.92	0.86	0.70	0.52	0.94	0.88	0.72	0.54	0.97	0.91	0.74	0.55	1.00	0.94	0.77	0.57	1.00	0.95	0.77	0.58	1.00	0.98	0.80	0.59	1.00	0.99	0.81	0.60
	ΔT	24	23	20	16	24	23	20	16	24	23	20	16	25	24	21	16	24	23	20	16	22	22	19	15	21	21	18	15	20	21	18	14
	kW	2.73	2.79	2.88	2.97	3.10	3.17	3.28	3.38	3.42	3.49	3.61	3.73	3.73	3.82	3.95	4.08	4.02	4.11	4.26	4.40	4.29	4.39	4.54	4.70	4.52	4.63	4.79	4.96	4.62	4.73	4.90	5.07
	Amps	5.8	5.9	6.1	6.2	6.2	6.3	6.4	6.6	6.6	6.7	6.9	7.1	7.0	7.1	7.3	7.5	7.3	7.5	7.7	7.9	7.7	7.8	8.1	8.3	7.9	8.1	8.3	8.6	8.0	8.2	8.4	8.7
Hi PR	172	185	195	204	193	208	219	229	219	236	249	260	250	269	284	296	281	303	320	333	311	334	353	368	330	355	375	391	338	364	384	401	
Lo PR	60	64	70	75	64	68	74	79	66	71	77	82	70	74	81	86	73	78	85	90	76	80	88	93	77	82	89	95	77	82	90	96	
MBh	32.6	33.3	35.6	38.1	31.9	32.6	34.8	37.2	31.1	31.8	34.0	36.3	30.4	31.0	33.1	35.4	28.8	29.5	31.5	33.7	26.7	27.3	29.2	31.2	25.0	25.6	27.3	29.2	24.3	24.8	26.5	28.3	
S/T	0.85	0.79	0.65	0.48	0.88	0.82	0.67	0.50	0.90	0.84	0.69	0.51	0.93	0.87	0.71	0.53	0.96	0.90	0.74	0.55	0.97	0.91	0.74	0.55	1.00	0.94	0.76	0.57	1.01	0.95	0.77	0.58	
ΔT	25	24	21	17	25	24	21	17	25	24	21	17	25	24	21	17	25	24	21	17	23	22	19	16	22	22	19	15	22	21	18	15	
kW	2.69	2.75	2.83	2.92	3.05	3.12	3.22	3.33	3.36	3.43	3.55	3.67	3.67	3.75	3.88	4.01	3.95	4.04	4.18	4.33	4.21	4.31	4.46	4.62	4.44	4.55	4.70	4.87	4.54	4.65	4.81	4.98	
Amps	5.7	5.8	6.0	6.1	6.1	6.2	6.4	6.5	6.5	6.6	6.8	7.0	6.9	7.0	7.2	7.4	7.2	7.4	7.6	7.8	7.6	7.7	7.9	8.2	7.8	8.0	8.2	8.5	7.9	8.1	8.3	8.6	
Hi PR	169	181	191	200	189	203	215	224	215	231	244	255	245	264	278	290	276	297	313	327	304	328	346	361	323	348	367	383	331	357	377	393	
Lo PR	59	63	69	73	63	67	73	77	65	69	76	80	68	73	79	85	72	76	83	89	74	79	86	92	75	80	87	93	76	81	88	94	
85	MBh	35.47	36.16	37.87	40.40	34.65	35.32	36.99	39.46	33.82	34.48	36.11	38.53	33.00	33.64	35.23	37.59	31.35	31.96	33.47	35.71	29.04	29.60	31.00	33.08	27.19	27.72	29.03	30.97	26.40	26.91	28.18	30.07
	S/T	0.97	0.93	0.84	0.68	1.00	0.97	0.87	0.71	1.00	0.99	0.90	0.73	1.00	1.00	0.92	0.75	1.00	1.00	0.96	0.78	1.00	1.00	0.97	0.79	1.00	1.00	0.99	0.81	1.00	1.00	1.00	0.82
	ΔT	24	24	23	20	25	24	23	20	24	24	23	20	23	23	23	20	22	23	23	20	22	23	23	20	21	21	20	18	19	19	19	17
	kW	2.77	2.83	2.92	3.01	3.15	3.22	3.32	3.43	3.46	3.54	3.66	3.78	3.79	3.87	4.00	4.14	4.08	4.18	4.32	4.47	4.35	4.45	4.61	4.77	4.59	4.70	4.86	5.03	4.69	4.80	4.97	5.15
	Amps	5.9	6.0	6.1	6.3	6.2	6.4	6.5	6.7	6.7	6.8	7.0	7.2	7.0	7.2	7.4	7.6	7.4	7.6	7.8	8.0	7.8	7.9	8.2	8.4	8.0	8.2	8.4	8.7	8.1	8.3	8.5	8.8
	Hi PR	175	188	199	207	196	211	223	233	223	240	254	265	254	274	289	301	286	308	325	339	316	340	359	374	336	361	381	398	344	370	391	408
	Lo PR	61	65	71	76	65	69	75	80	68	72	78	84	71	75	82	88	74	79	86	92	77	82	89	95	78	83	91	97	79	84	91	97
	MBh	35.0	35.6	37.3	39.8	34.1	34.8	36.4	38.9	33.3	34.0	35.6	38.0	32.5	33.1	34.7	37.0	30.9	31.5	33.0	35.2	28.6	29.2	30.5	32.6	26.8	27.3	28.6	30.5	26.0	26.5	27.8	29.6
	S/T	0.93	0.89	0.81	0.65	0.96	0.93	0.84	0.68	0.99	0.95	0.86	0.70	1.00	0.98	0.89	0.72	1.00	1.00	0.92	0.75	1.00	1.00	0.93	0.75	1.00	1.00	0.95	0.77	1.00	1.00	0.96	0.78
	ΔT	26	25	24	21	26	26	24	21	26	26	24	21	26	26	24	21	25	25	24	21	23	23	22	19	21	22	22	19	21	21	21	18
	kW	2.75	2.81	2.90	3.00	3.13	3.20	3.30	3.41	3.44	3.52	3.64	3.76	3.77	3.85	3.98	4.12	4.06	4.15	4.29	4.44	4.33	4.43	4.58	4.74	4.56	4.67	4.83	5.00	4.66	4.77	4.94	5.11
	Amps	5.8	5.9	6.1	6.3	6.2	6.3	6.5	6.7	6.6	6.8	7.0	7.2	7.0	7.1	7.3	7.6	7.4	7.5	7.7	8.0	7.7	7.9	8.1	8.4	8.0	8.2	8.4	8.7	8.1	8.3	8.5	8.8
Hi PR	174	187	197	206	195	210	221	231	222	238	252	263	252	272	287	299	284	306	323	337	314	338	357	372	333	359	379	395	342	368	388	405	
Lo PR	61	65	71	76	65	69	75	80	67	71	78	83	70	75	82	87	74	79	86	91	76	81	89	94	78	83	90	96	78	83	91	97	
MBh	33.2	33.8	35.4	37.8	32.4	33.1	34.6	36.9	31.7	32.3	33.8	36.1	30.9	31.5	33.0	35.2	29.3	29.9	31.3	33.4	27.2	27.7	29.0	31.0	25.5	25.9	27.2	29.0	24.7	25.2	26.4	28.1	
S/T	0.89	0.86	0.77	0.63	0.92	0.89	0.80	0.65	0.94	0.91	0.82	0.67	0.97	0.94	0.85	0.69	1.00	0.98	0.88	0.71	1.00	0.98	0.89	0.72	1.00	1.00	0.91	0.74	1.00	1.00	0.92	0.75	
ΔT	27	26	25	21	27	26	25	22	27	26	25	22	27	27	25	22	26	26	25	21	24	25	23	20	23	23	22	19	22	23	22	19	
kW	2.71	2.77	2.86	2.95	3.08	3.15	3.25	3.36	3.39	3.46	3.58	3.70	3.70	3.78	3.91	4.05	3.99	4.08	4.22	4.36	4.25	4.35	4.50	4.66	4.48	4.59	4.75	4.91	4.58	4.69	4.85	5.02	
Amps	5.8	5.9	6.0	6.2	6.1	6.2	6.4	6.6	6.5	6.7	6.8	7.1	6.9	7.0	7.2	7.5	7.3	7.4	7.6	7.9	7.6	7.8	8.0	8.3	7.9	8.0	8.3	8.5	8.0	8.1	8.4	8.6	
Hi PR	170	183	193	202	191	206	217	226	217	234	247	257	247	266	281	293	278	299	316	330	307	331	349	364	327	351	371	387	335	360	380	397	
Lo PR	60	64	70	74	63	67	73	78	66	70																							

EXPANDED COOLING DATA — CPKF42-5M & ARUF048-00*-2*

IDB	Airflow	Outdoor Ambient Temperature												Entering Indoor/Wet Bulb Temperature																			
		65°F				75°F				85°F				95°F				105°F				115°F				118°F				125°F			
		59	63	67	71	59	63	67	71	59	63	67	71	59	63	67	71	59	63	67	71	59	63	67	71	59	63	67	71	59	63	67	71
70	MBh	38.6	40.0	43.9	-	37.7	39.1	42.9	-	36.8	38.2	41.8	-	35.9	37.3	40.8	-	34.1	35.4	38.8	-	31.6	32.8	35.9	-	29.6	30.7	33.6	-	28.8	29.8	32.7	-
	S/T	0.77	0.64	0.44	-	0.80	0.67	0.46	-	0.82	0.68	0.47	-	0.84	0.70	0.49	-	0.88	0.73	0.51	-	0.88	0.74	0.51	-	0.9	0.8	0.5	-	0.92	0.77	0.53	-
	ΔT	16	14	11	-	16	14	11	-	16	14	11	-	17	14	11	-	16	14	11	-	15	13	10	-	14.6	12.7	9.6	-	14	12	9	-
	kW	3.18	3.25	3.35	-	3.61	3.69	3.82	-	3.98	4.07	4.21	-	4.35	4.45	4.60	-	4.69	4.80	4.97	-	5.01	5.12	5.30	-	5.3	5.4	5.6	-	5.40	5.53	5.72	-
	Amps	7.9	8.0	8.3	-	8.4	8.6	8.8	-	9.0	9.2	9.5	-	9.6	9.8	10.1	-	10.1	10.3	10.6	-	10.6	10.9	11.2	-	11.0	11.2	11.6	-	11.1	11.4	11.7	-
	Hi PR	164	176	186	-	183	197	209	-	209	225	237	-	238	256	270	-	267	288	304	-	295	318	336	-	313.8	337.6	356.5	-	322	346	365	-
	Lo PR	60	64	70	-	64	68	74	-	66	70	77	-	70	74	81	-	73	78	85	-	75	80	88	-	76.7	81.5	89.0	-	77	82	90	-
	MBh	38.1	39.5	43.2	-	37.2	38.5	42.2	-	36.3	37.6	41.2	-	35.4	36.7	40.2	-	33.6	34.9	38.2	-	31.2	32.3	35.4	-	29.2	30.2	33.1	-	28.3	29.4	32.2	-
	S/T	0.74	0.62	0.43	-	0.76	0.64	0.44	-	0.78	0.65	0.45	-	0.81	0.67	0.47	-	0.84	0.70	0.49	-	0.85	0.71	0.49	-	0.85	0.7	0.5	-	0.88	0.73	0.51	-
	ΔT	17	15	11	-	17	15	11	-	17	15	11	-	17	15	11	-	17	15	11	-	16	14	11	-	15.4	13.4	10.1	-	15	13	10	-
1331	kW	3.16	3.23	3.33	-	3.59	3.67	3.79	-	3.96	4.05	4.18	-	4.33	4.43	4.58	-	4.67	4.77	4.94	-	4.98	5.09	5.27	-	5.2	5.4	5.6	-	5.37	5.49	5.69	-
	Amps	7.8	8.0	8.2	-	8.4	8.5	8.8	-	9.0	9.2	9.4	-	9.5	9.7	10.0	-	10.0	10.3	10.6	-	10.6	10.8	11.1	-	10.9	11.1	11.5	-	11.1	11.3	11.6	-
	Hi PR	162	175	185	-	182	196	207	-	207	223	236	-	236	254	268	-	266	286	302	-	293	316	333	-	311.6	335.3	354.1	-	319	344	363	-
	Lo PR	60	64	70	-	63	67	74	-	66	70	76	-	69	74	80	-	72	77	84	-	75	80	87	-	76.1	81.0	88.4	-	77	82	89	-
	MBh	36.2	37.5	41.1	-	35.3	36.6	40.1	-	34.5	35.7	39.2	-	33.6	34.9	38.2	-	32.0	33.1	36.3	-	29.6	30.7	33.6	-	27.7	28.7	31.5	-	26.9	27.9	30.6	-
	S/T	0.71	0.59	0.41	-	0.73	0.61	0.42	-	0.75	0.63	0.43	-	0.77	0.65	0.45	-	0.80	0.67	0.46	-	0.81	0.68	0.47	-	0.8	0.7	0.5	-	0.84	0.70	0.49	-
	ΔT	18	15	12	-	18	15	12	-	18	15	12	-	18	16	12	-	18	15	12	-	17	14	11	-	15.9	13.8	10.5	-	16	14	10	-
	kW	3.11	3.18	3.28	-	3.53	3.61	3.73	-	3.89	3.98	4.11	-	4.25	4.35	4.50	-	4.58	4.69	4.85	-	4.89	5.00	5.18	-	5.2	5.3	5.5	-	5.27	5.40	5.58	-
	Amps	7.7	7.9	8.1	-	8.2	8.4	8.6	-	8.8	9.0	9.3	-	9.4	9.6	9.8	-	9.9	10.1	10.4	-	10.4	10.6	10.9	-	10.7	11.0	11.3	-	10.9	11.1	11.4	-
	Hi PR	159	171	181	-	179	192	203	-	203	219	231	-	231	249	263	-	260	280	296	-	288	309	327	-	305.3	328.6	347.0	-	313	337	356	-
Lo PR	59	62	68	-	62	66	72	-	64	69	75	-	68	72	79	-	71	76	82	-	73	78	85	-	75	79	87	-	75	80	87	-	

75	MBh	39.29	40.45	43.79	47.00	38.38	39.51	42.77	45.90	37.46	38.57	41.75	44.81	36.55	37.63	40.73	43.72	34.72	35.75	38.70	41.53	32.16	33.12	35.85	38.47	30.12	31.01	33.56	36.02	29.24	30.11	32.59	34.97
	S/T	0.87	0.78	0.59	0.38	0.91	0.81	0.61	0.39	0.93	0.83	0.63	0.40	0.96	0.86	0.65	0.42	1.00	0.89	0.67	0.43	1.00	0.90	0.68	0.44	1.00	0.92	0.70	0.45	1.00	0.93	0.71	0.45
	ΔT	19	17	14	10	19	17	14	10	19	17	14	10	19	18	14	10	19	17	14	10	19	17	13	9	16	16	13	9	16	15	13	9
	kW	3.20	3.27	3.38	3.49	3.65	3.73	3.85	3.98	4.01	4.11	4.24	4.39	4.39	4.49	4.65	4.81	4.74	4.84	5.01	5.19	5.05	5.17	5.35	5.54	5.33	5.45	5.65	5.85	5.45	5.58	5.77	5.98
	Amps	7.9	8.1	8.3	8.6	8.5	8.7	8.9	9.2	9.1	9.3	9.6	9.9	9.6	9.8	10.1	10.5	10.2	10.4	10.7	11.1	10.7	10.9	11.3	11.7	11.1	11.3	11.6	12.0	11.2	11.5	11.8	12.2
	Hi PR	165	178	188	196	185	199	211	220	211	227	240	250	240	258	273	285	270	291	307	320	298	321	339	354	317	341	360	376	325	350	369	385
	Lo PR	61	65	71	75	64	69	75	80	67	71	78	83	70	75	82	87	74	78	86	91	76	81	89	94	77	82	90	96	78	83	91	96
	MBh	38.7	39.9	43.1	46.3	37.8	38.9	42.1	45.2	36.9	38.0	41.1	44.1	36.0	37.1	40.1	43.1	34.2	35.2	38.1	40.9	31.7	32.6	35.3	37.9	29.7	30.6	33.1	35.5	28.8	29.7	32.1	34.5
	S/T	0.84	0.75	0.57	0.36	0.87	0.78	0.59	0.38	0.89	0.80	0.60	0.39	0.92	0.82	0.62	0.40	0.95	0.85	0.65	0.42	0.96	0.86	0.65	0.42	0.99	0.88	0.67	0.43	1.00	0.89	0.68	0.43
	ΔT	20	18	15	10	20	18	15	10	20	18	15	10	20	19	15	11	20	18	15	10	19	17	14	10	18	16	13	9	18	16	13	9
1331	kW	3.19	3.25	3.36	3.47	3.62	3.70	3.83	3.95	3.99	4.08	4.22	4.36	4.37	4.47	4.62	4.78	4.71	4.82	4.98	5.16	5.02	5.14	5.32	5.50	5.30	5.42	5.61	5.81	5.41	5.54	5.74	5.94
	Amps	7.9	8.1	8.3	8.5	8.4	8.6	8.8	9.1	9.1	9.2	9.5	9.8	9.6	9.8	10.1	10.4	10.1	10.3	10.6	11.0	10.7	10.9	11.2	11.6	11.0	11.2	11.6	12.0	11.2	11.4	11.7	12.1
	Hi PR	164	177	186	194	184	198	209	218	209	225	238	248	238	257	271	283	268	289	305	318	296	319	337	351	315	339	358	373	323	347	367	382
	Lo PR	61	64	70	75	64	68	74	79	66	71	78	82	70	74	81	86	74	78	85	90	76	81	88	94	77	82	89	95	77	82	90	96
	MBh	36.8	37.9	41.0	44.0	35.9	37.0	40.0	43.0	35.1	36.1	39.1	41.9	34.2	35.2	38.1	40.9	32.5	33.5	36.2	38.9	30.1	31.0	33.5	36.0	28.2	29.0	31.4	33.7	27.4	28.2	30.5	32.7
	S/T	0.80	0.72	0.54	0.35	0.83	0.74	0.56	0.36	0.85	0.76	0.58	0.37	0.88	0.79	0.60	0.38	0.91	0.82	0.62	0.40	0.92	0.82	0.62	0.40	0.95	0.85	0.64	0.41	0.96	0.86	0.65	0.42
	ΔT	20	19	15	11	21	19	16	11	21	19	16	11	21	19	16	11	21	19	16	11	20	19	15	11	19	18	14	10	18	17	14	9
	kW	3.13	3.20	3.30	3.41	3.56	3.64	3.76	3.89	3.92	4.01	4.15	4.29	4.29	4.39	4.54	4.69	4.62	4.73	4.89	5.07	4.93	5.05	5.22	5.41	5.20	5.33	5.51	5.71	5.32	5.44	5.63	5.83
	Amps	7.8	7.9	8.2	8.4	8.3	8.5	8.7	9.0	8.9	9.1	9.4	9.7	9.4	9.6	9.9	10.2	10.0	10.2	10.5	10.8	10.5	10.7	11.0	11.4	10.8	11.1	11.4	11.8	11.0	11.2	11.5	11.9
	Hi PR	161	173	183	191	180	194	205	214	205	221	233	243	234	251	266	277	263	283	299	312	290	313	330	344	308	332	351	366	316	340	359	375
Lo PR	59	63	69	73	63	67	73	78	65	69	76	81	68	73	79	85	72	76	83	89	74	79	86	92	75	80	88	93	76	81	88	94	

IDB: Entering Indoor Dry Bulb Temperature
 High and low pressures are measured at the liquid and suction service valves.
 Shaded area reflects ACCA (TVA) conditions
 kW = Total system power
 Amps = outdoor unit amps (comp.+fan)

EXPANDED COOLING DATA — CPKF42-5M & ARUF048-00*-2* (CONT.)

IDB	AIRFLOW	OUTDOOR AMBIENT TEMPERATURE												ENTERING INDOOR WET BULB TEMPERATURE																																																																																																																																																																																																																																																																																																																																																																																																																																																																																																																																																																																																																																																																																																																																																																																																																																																																																																																																																																																																																																																																																																																																																																																																																																																																																																																																																																																																															
		65°F				75°F				85°F				95°F				105°F				115°F				118°F				125°F																																																																																																																																																																																																																																																																																																																																																																																																																																																																																																																																																																																																																																																																																																																																																																																																																																																																																																																																																																																																																																																																																																																																																																																																																																																																																																																																																																																															
		59	63	67	71	59	63	67	71	59	63	67	71	59	63	67	71	59	63	67	71	59	63	67	71	59	63	67	71	59	63	67	71	59	63	67	71																																																																																																																																																																																																																																																																																																																																																																																																																																																																																																																																																																																																																																																																																																																																																																																																																																																																																																																																																																																																																																																																																																																																																																																																																																																																																																																																																																																								
80	1685	MBh	39.99	40.86	43.66	46.67	39.06	39.91	42.64	45.58	38.13	38.96	41.63	44.50	37.20	38.01	40.61	43.41	35.34	36.11	38.58	41.24	32.74	33.45	35.74	38.20	30.65	31.32	33.46	35.77	29.76	30.41	32.49	34.73	S/T	0.96	0.90	0.73	0.55	1.00	0.93	0.76	0.57	1.00	0.96	0.78	0.58	1.00	1.00	0.80	0.60	1.00	1.00	0.83	0.62	1.00	1.00	0.84	0.63	1.00	1.00	0.86	0.65	ΔT	21	20	17	14	21	20	18	14	21	20	18	14	19	20	18	14	18	18	16	13	17	17	16	13	16	17	15	12	kW	3.23	3.30	3.41	3.52	3.68	3.76	3.88	4.01	4.05	4.14	4.28	4.43	4.43	4.53	4.69	4.85	4.78	4.89	5.06	5.23	5.10	5.22	5.40	5.59	5.38	5.50	5.70	5.90	5.50	5.63	5.82	6.03	Amps	8.0	8.2	8.4	8.7	8.5	8.7	9.0	9.3	9.2	9.4	9.6	10.0	9.7	9.9	10.2	10.6	10.3	10.5	10.8	11.2	10.8	11.0	11.4	11.8	11.2	11.4	11.7	12.1	11.3	11.6	11.9	12.3	Hi PR	167	180	190	198	187	201	213	222	213	229	242	252	243	261	276	287	273	294	310	323	301	324	343	357	320	345	364	379	328	353	373	389	Lo PR	62	65	72	76	65	69	76	80	68	72	79	84	71	76	82	88	74	79	86	92	77	82	89	95	78	83	91	97	79	84	91	97	1331	MBh	39.4	40.3	43.0	46.0	38.5	39.3	42.0	44.9	37.6	38.4	41.0	43.8	36.7	37.5	40.0	42.8	34.8	35.6	38.0	40.6	32.3	33.0	35.2	37.6	30.2	30.9	33.0	35.2	29.3	30.0	32.0	34.2	S/T	0.92	0.86	0.70	0.52	0.95	0.89	0.73	0.54	0.98	0.92	0.74	0.56	1.00	0.94	0.77	0.57	1.00	0.98	0.80	0.60	1.00	0.99	0.80	0.60	1.00	1.00	0.83	0.62	1.00	1.00	0.84	0.62	ΔT	22	21	18	15	22	21	19	15	22	21	19	15	22	22	19	15	21	21	18	15	20	20	17	14	18	18	16	13	kW	3.21	3.28	3.39	3.50	3.65	3.74	3.86	3.99	4.03	4.12	4.25	4.40	4.40	4.50	4.66	4.82	4.75	4.86	5.03	5.20	5.07	5.18	5.36	5.55	5.34	5.47	5.66	5.86	5.46	5.59	5.79	6.00	Amps	8.0	8.1	8.3	8.6	8.5	8.7	8.9	9.2	9.1	9.3	9.6	9.9	9.7	9.9	10.2	10.5	10.2	10.4	10.7	11.1	10.7	11.0	11.3	11.7	11.1	11.3	11.7	12.1	11.2	11.5	11.8	12.2	Hi PR	166	178	188	196	186	200	211	220	211	228	240	251	241	259	274	285	271	292	308	321	299	322	340	355	318	342	361	377	326	351	370	386	Lo PR	61	65	71	76	65	69	75	80	67	71	78	83	71	75	82	87	74	79	86	91	76	81	89	95	78	83	91	97	1331	MBh	37.4	38.2	40.9	43.7	36.6	37.4	39.9	42.7	35.7	36.5	39.0	41.6	34.8	35.6	38.0	40.6	33.1	33.8	36.1	38.6	30.6	31.3	33.4	35.8	28.7	29.3	31.3	33.5	27.9	28.5	30.4	32.5	S/T	0.88	0.82	0.67	0.50	0.91	0.85	0.70	0.52	0.93	0.88	0.71	0.53	0.96	0.90	0.74	0.55	1.00	0.94	0.76	0.57	1.01	0.95	0.77	0.58	1.04	0.97	0.79	0.59	1.05	0.98	0.80	0.60	ΔT	23	22	19	15	23	22	19	15	23	22	19	15	23	22	19	15	21	21	18	14	21	20	17	14	20	19	17	13	kW	3.16	3.23	3.33	3.44	3.59	3.67	3.79	3.92	3.96	4.05	4.18	4.32	4.33	4.43	4.58	4.74	4.67	4.77	4.94	5.11	4.98	5.09	5.27	5.46	5.25	5.37	5.56	5.76	5.37	5.49	5.69	5.89	Amps	7.8	8.0	8.2	8.5	8.4	8.5	8.8	9.1	9.0	9.2	9.4	9.7	9.5	9.7	10.0	10.3	10.0	10.3	10.6	10.9	10.6	10.8	11.1	11.5	10.9	11.1	11.5	11.9	11.1	11.3	11.6	12.0	Hi PR	162	175	185	192	182	196	207	216	207	223	236	246	236	254	268	280	266	286	302	315	293	316	333	348	312	335	354	369	319	344	363	379	Lo PR	60	64	70	74	63	67	74	78	66	70	76	81	69	74	80	85	72	77	84	90	75	80	87	93	77	82	88	94	77	82	89	95	85	1685	MBh	40.69	41.48	43.44	46.34	39.74	40.51	42.43	45.26	38.80	39.55	41.42	44.19	37.85	38.58	40.41	43.11	35.96	36.65	38.39	40.95	33.31	33.95	35.56	37.94	31.19	31.79	33.30	35.52	30.28	30.87	32.33	34.49	S/T	1.00	0.97	0.88	0.71	1.00	1.00	0.91	0.74	1.00	1.00	0.93	0.75	1.00	1.00	0.96	0.78	1.00	1.00	1.00	0.81	1.00	1.00	1.00	0.82	1.00	1.00	1.00	0.84	1.00	1.00	1.00	0.85	ΔT	22	22	21	18	22	22	21	18	21	21	21	18	21	21	21	18	20	20	20	18	18	19	19	17	17	17	18	16	17	17	18	16	kW	3.26	3.33	3.43	3.55	3.71	3.79	3.91	4.05	4.08	4.18	4.32	4.46	4.47	4.57	4.73	4.89	4.82	4.93	5.10	5.28	5.14	5.26	5.45	5.64	5.42	5.55	5.75	5.95	5.55	5.68	5.88	6.09	Amps	8.1	8.2	8.5	8.7	8.6	8.8	9.0	9.3	9.2	9.4	9.7	10.0	9.8	10.0	10.3	10.6	10.3	10.6	10.9	11.3	10.9	11.1	11.5	11.9	11.2	11.5	11.8	12.3	11.4	11.7	12.0	12.4	Hi PR	169	181	192	200	189	204	215	224	215	231	244	255	245	264	278	290	276	297	313	327	304	328	346	361	323	348	367	383	331	357	377	393	Lo PR	62	66	72	77	66	70	76	81	68	73	79	84	72	76	83	89	75	80	87	93	78	83	90	96	79	84	92	98	80	85	92	98	1331	MBh	40.1	40.9	42.8	45.7	39.2	39.9	41.8	44.6	38.2	39.0	40.8	43.5	37.3	38.0	39.8	42.5	35.4	36.1	37.8	40.3	32.8	33.5	35.0	37.4	30.7	31.3	32.8	35.0	29.8	30.4	31.8	34.0	S/T	0.96	0.93	0.84	0.68	1.00	0.96	0.87	0.70	1.00	0.99	0.89	0.72	1.00	1.00	0.92	0.75	1.00	1.00	0.95	0.77	1.00	1.00	0.96	0.78	1.00	1.00	0.99	0.80	1.00	1.00	1.00	0.81	ΔT	24	23	20	16	24	23	21	19	23	23	23	20	22	22	22	19	22	22	22	19	20	20	20	18	19	19	20	17	18	19	19	17	kW	3.24	3.31	3.41	3.53	3.69	3.77	3.89	4.02	4.06	4.15	4.29	4.44	4.44	4.54	4.70	4.86	4.79	4.90	5.07	5.25	5.11	5.23	5.41	5.60	5.39	5.52	5.71	5.92	5.51	5.64	5.84	6.05	Amps	8.0	8.2	8.4	8.7	8.6	8.7	9.0	9.3	9.2	9.4	9.7	10.0	9.7	10.0	10.2	10.6	10.3	10.5	10.8	11.2	10.8	11.1	11.4	11.8	11.2	11.4	11.8	12.2	11.3	11.6	11.9	12.3	Hi PR	167	180	190	198	188	202	213	223	214	230	243	253	243	262	276	288	274	295	311	324	302	325	344	358	321	346	365	381	329	354	374	390	Lo PR	62	66	72	76	65	69	76	81	68	72	79	84	71	76	83	88	75	79	87	92	77	82	90	95	78	83	91	97	79	84	92	98	1331	MBh	38.1	38.8	40.7	43.4	37.2	37.9	39.7	42.4	36.3	37.0	38.8	41.4	35.4	36.1	37.8	40.3	33.7	34.3	35.9	38.3	31.2	31.8	33.3	35.5	29.2	29.8	31.2	33.2	28.3	28.9	30.3	32.3	S/T	0.92	0.89	0.80	0.65	0.96	0.92	0.83	0.68	0.98	0.95	0.85	0.69	1.00	0.98	0.88	0.71	1.00	1.00	0.91	0.74	1.00	1.00	0.92	0.75	1.00	1.00	0.95	0.77	1.00	1.00	0.96	0.78	ΔT	24	24	23	20	25	24	23	20	25	24	23	20	24	24	23	20	24	24	23	20	23	23	23	20	22	22	21	18	20	20	20	17	kW	3.19	3.25	3.36	3.47	3.62	3.70	3.83	3.95	3.99	4.08	4.22	4.36	4.37	4.46	4.62	4.78	4.71	4.81	4.98	5.15	5.02	5.14	5.32	5.50	5.30	5.42	5.61	5.81	5.41	5.54	5.74	5.94	Amps	7.9	8.1	8.3	8.5	8.4	8.6	8.8	9.1	9.1	9.2	9.5	9.8	9.6	9.8	10.1	10.4	10.1	10.3	10.6	11.0	10.7	10.9	11.2	11.6	11.0	11.2	11.6	12.0	11.1	11.4	11.7	12.1	Hi PR	164	177	186	194	184	198	209	218	209	225	238	248	238	257	271	283	268	289	305	318	296	319	337	351	315	339	358	373	323	347	367	382	Lo PR	61	64	70	75	64	68	74	79	66	71	77	82	70	74	81	86	73	78	85	90	76	80	88	94	77	82	89	95	77	82	89	96

IDB: Entering Indoor Dry Bulb Temperature
 High and low pressures are measured at the liquid and suction service valves.
 Shaded area reflects AH

EXPANDED COOLING DATA — CPKF48-5M & ARUF048-00*-2*

IDB	AIRFLOW	OUTDOOR AMBIENT TEMPERATURE																																
		65°F				75°F				85°F				95°F				105°F				115°F				118°F				125°F				
		59	63	67	71	59	63	67	71	59	63	67	71	59	63	67	71	59	63	67	71	59	63	67	71	59	63	67	71	59	63	67	71	
70	1794	MBh	45.7	47.3	51.9	-	44.6	46.2	50.7	-	43.6	45.1	49.5	-	42.5	44.0	48.3	-	40.4	41.8	45.8	-	37.4	38.8	42.5	-	35.0	36.3	39.8	-	34.0	35.2	38.6	-
		S/T	0.73	0.61	0.42	-	0.76	0.64	0.44	-	0.78	0.65	0.45	-	0.81	0.67	0.47	-	0.84	0.70	0.48	-	0.84	0.70	0.49	-	0.9	0.7	0.5	-	0.88	0.73	0.51	-
	ΔT	17	15	11	-	17	15	11	-	17	15	11	-	18	15	12	-	17	15	11	-	16	14	11	-	15.5	13.4	10.2	-	15	13	10	-	
	kW	3.69	3.77	3.89	-	4.18	4.27	4.41	-	4.60	4.70	4.85	-	5.01	5.13	5.30	-	5.40	5.52	5.70	-	5.75	5.88	6.08	-	6.1	6.2	6.4	-	6.19	6.33	6.55	-	
	Amps	8.0	8.1	8.3	-	8.5	8.6	8.8	-	9.0	9.2	9.4	-	9.5	9.7	9.9	-	10.0	10.2	10.5	-	10.5	10.7	11.0	-	10.8	11.0	11.3	-	10.9	11.1	11.4	-	
	Hi PR	174	187	198	-	195	210	222	-	222	239	252	-	253	272	287	-	285	306	323	-	314	338	357	-	333.9	359.4	379.5	-	342	368	389	-	
	Lo PR	56	60	65	-	59	63	69	-	62	66	72	-	65	69	75	-	68	72	79	-	70	75	82	-	71.3	75.9	82.8	-	72	76	83	-	
	MBh	45.0	46.6	51.1	-	44.0	45.6	49.9	-	42.9	44.5	48.7	-	41.9	43.4	47.5	-	39.8	41.2	45.2	-	36.8	38.2	41.8	-	34.5	35.8	39.2	-	33.5	34.7	38.0	-	
	S/T	0.70	0.59	0.41	-	0.73	0.61	0.42	-	0.75	0.62	0.43	-	0.77	0.64	0.45	-	0.80	0.67	0.46	-	0.81	0.67	0.47	-	0.8	0.7	0.5	-	0.84	0.70	0.49	-	
	ΔT	18	16	12	-	18	16	12	-	18	16	12	-	18	16	12	-	18	16	12	-	17	15	11	-	16.4	14.2	10.8	-	16	14	11	-	
1605	kW	3.67	3.75	3.87	-	4.16	4.25	4.39	-	4.57	4.67	4.82	-	4.99	5.10	5.27	-	5.36	5.49	5.67	-	5.71	5.84	6.04	-	6.0	6.2	6.4	-	6.15	6.29	6.51	-	
	Amps	7.9	8.1	8.3	-	8.4	8.6	8.8	-	9.0	9.1	9.4	-	9.5	9.6	9.9	-	9.9	10.1	10.4	-	10.4	10.6	10.9	-	10.7	10.9	11.2	-	10.9	11.1	11.4	-	
	Hi PR	173	186	196	-	194	209	220	-	221	237	251	-	251	270	285	-	283	304	321	-	312	336	355	-	331.6	356.9	376.8	-	340	366	386	-	
	Lo PR	56	59	65	-	59	63	68	-	61	65	71	-	64	68	75	-	67	72	78	-	70	74	81	-	70.8	75.3	82.3	-	71	76	83	-	
	MBh	42.8	44.3	48.5	-	41.8	43.3	47.4	-	40.8	42.3	46.3	-	39.8	41.2	45.2	-	37.8	39.2	42.9	-	35.0	36.3	39.7	-	32.8	34.0	37.2	-	31.8	33.0	36.1	-	
	S/T	0.67	0.56	0.39	-	0.70	0.58	0.40	-	0.72	0.60	0.41	-	0.74	0.62	0.43	-	0.77	0.64	0.44	-	0.77	0.65	0.45	-	0.8	0.7	0.5	-	0.80	0.67	0.46	-	
	ΔT	19	16	12	-	19	16	12	-	19	16	12	-	19	17	13	-	19	16	12	-	18	15	12	-	16.9	14.6	11.1	-	17	14	11	-	
	kW	3.62	3.69	3.81	-	4.09	4.18	4.31	-	4.49	4.59	4.74	-	4.90	5.01	5.18	-	5.27	5.39	5.57	-	5.62	5.74	5.94	-	5.9	6.1	6.3	-	6.04	6.18	6.40	-	
	Amps	7.8	8.0	8.2	-	8.3	8.4	8.7	-	8.8	9.0	9.2	-	9.3	9.5	9.7	-	9.8	10.0	10.2	-	10.3	10.5	10.7	-	10.6	10.8	11.1	-	10.7	10.9	11.2	-	
	Hi PR	169	182	192	-	190	205	216	-	216	233	246	-	246	265	280	-	277	298	315	-	306	329	348	-	325.0	349.7	369.3	-	333	358	379	-	
Lo PR	55	58	63	-	58	61	67	-	60	64	70	-	63	67	73	-	66	70	77	-	68	73	79	-	69	74	81	-	70	74	81	-		

75	1794	MBh	46.5	47.8	51.7	55.56	45.3	46.7	50.56	54.27	44.2	45.6	49.36	52.98	43.2	44.4	48.16	51.68	41.0	42.2	45.75	49.10	38.0	39.1	42.38	45.48	35.5	36.6	39.68	42.59	34.5	35.5	38.53	41.35
		S/T	0.83	0.75	0.57	0.36	0.87	0.77	0.59	0.38	0.89	0.79	0.60	0.39	0.92	0.82	0.62	0.40	0.95	0.85	0.64	0.41	0.96	0.86	0.65	0.42	0.98	0.88	0.67	0.43	1.00	0.89	0.67	0.43
	ΔT	20	18	15	10	20	19	15	10	20	19	15	10	20	19	15	11	20	18	15	10	19	17	14	10	18	17	14	9	18	16	13	9	
	kW	3.72	3.80	3.92	4.04	4.22	4.31	4.45	4.59	4.63	4.74	4.89	5.05	5.06	5.17	5.34	5.52	5.44	5.57	5.75	5.95	5.80	5.93	6.13	6.35	6.11	6.25	6.46	6.69	6.24	6.39	6.61	6.84	
	Amps	8.0	8.2	8.4	8.6	8.5	8.7	8.9	9.2	9.1	9.3	9.5	9.8	9.6	9.8	10.0	10.3	10.1	10.3	10.5	10.9	10.5	10.8	11.1	11.4	10.9	11.1	11.4	11.8	11.0	11.2	11.5	11.9	
	Hi PR	176	189	200	208	197	212	224	234	224	241	255	266	256	275	290	303	288	309	327	341	318	342	361	376	337	363	383	400	346	372	393	410	
	Lo PR	57	60	66	70	60	64	70	74	62	66	72	77	65	70	76	81	69	73	80	85	71	75	82	88	72	77	84	89	73	77	84	90	
	MBh	45.8	47.1	51.0	54.7	44.7	46.0	49.8	53.5	43.6	44.9	48.6	52.2	42.6	43.8	47.4	50.9	40.4	41.6	45.1	48.4	37.5	38.6	41.8	44.8	35.1	36.1	39.1	42.0	34.1	35.1	38.0	40.7	
	S/T	0.80	0.71	0.54	0.35	0.83	0.74	0.56	0.36	0.85	0.76	0.58	0.37	0.88	0.78	0.59	0.38	0.91	0.81	0.62	0.40	0.92	0.82	0.62	0.40	0.94	0.84	0.64	0.41	0.95	0.85	0.65	0.42	
	ΔT	21	19	16	11	21	20	16	11	21	20	16	11	21	20	16	11	21	19	16	11	20	18	15	10	19	17	14	10	19	17	14	10	
1605	kW	3.70	3.78	3.90	4.02	4.20	4.29	4.42	4.57	4.61	4.71	4.86	5.02	5.03	5.14	5.31	5.49	5.41	5.53	5.72	5.91	5.76	5.90	6.10	6.31	6.07	6.21	6.43	6.65	6.21	6.35	6.57	6.80	
	Amps	8.0	8.1	8.3	8.6	8.5	8.6	8.8	9.1	9.0	9.2	9.4	9.7	9.5	9.7	10.0	10.3	10.0	10.2	10.5	10.8	10.5	10.7	11.0	11.3	10.8	11.0	11.3	11.7	10.9	11.2	11.5	11.8	
	Hi PR	175	188	198	207	196	211	223	232	223	240	253	264	254	273	288	301	286	307	324	338	315	339	358	374	335	360	381	397	343	370	390	407	
	Lo PR	56	60	65	70	59	63	69	74	62	66	72	76	65	69	75	80	68	72	79	84	70	75	82	87	72	76	83	88	73	77	84	89	
	MBh	43.5	44.8	48.5	52.0	42.5	43.7	47.3	50.8	41.5	42.7	46.2	49.6	40.4	41.6	45.1	48.4	38.4	39.6	42.8	46.0	35.6	36.6	39.7	42.6	33.3	34.3	37.1	39.9	32.4	33.3	36.1	38.7	
	S/T	0.77	0.68	0.52	0.33	0.79	0.71	0.54	0.35	0.81	0.73	0.55	0.35	0.84	0.75	0.57	0.37	0.87	0.78	0.59	0.38	0.88	0.79	0.60	0.38	0.90	0.81	0.61	0.39	0.91	0.82	0.62	0.40	
	ΔT	22	20	16	11	22	20	17	11	22	20	17	11	22	20	17	11	22	20	16	11	20	19	15	11	20	18	15	10	19	18	14	10	
	kW	3.65	3.72	3.84	3.96	4.13	4.22	4.35	4.49	4.53	4.63	4.78	4.94	4.94	5.05	5.22	5.40	5.32	5.44	5.62	5.81	5.66	5.79	5.99	6.20	5.97	6.10	6.31	6.53	6.10	6.24	6.45	6.68	
	Amps	7.9	8.0	8.2	8.4	8.4	8.5	8.7	9.0	8.9	9.1	9.3	9.6	9.4	9.6	9.8	10.1	9.9	10.1	10.3	10.6	10.3	10.5	10.8	11.2	10.6	10.9	11.2	11.5	10.8	11.0	11.3	11.7	
	Hi PR	171	184	194	203	192	207	218	228	218	235	248	259	249	268	283	295	280	301	318	332	309	333	351	366	328	353	373	389	336	362	382	399	
Lo PR	55	59	64	68	58	62	68	72	61	64	70	75	64	68	74	79	67	71	77	83	69	73	80	85	70	75	81	87	71	75	82	87		

IDB: Entering Indoor Dry Bulb Temperature
 High and low pressures are measured at the liquid and suction service valves.
 Shaded area reflects ACCA (TVA) conditions
 kW = Total system power
 Amps = outdoor unit amps (comp.+fan)

EXPANDED COOLING DATA — CPKF48-5M & ARUF048-00*-2* (CONT.)

IDB	AIRFLOW	OUTDOOR AMBIENT TEMPERATURE																															
		65°F				75°F				85°F				95°F																			
		59	63	67	71	59	63	67	71	59	63	67	71	59	63	67	71																
		ENTERING INDOOR WET BULB TEMPERATURE																															
		59	63	67	71	59	63	67	71	59	63	67	71	59	63	67	71																
80	MBh	47.28	48.31	51.61	55.17	46.18	47.19	50.41	53.89	45.08	46.06	49.21	52.61	43.98	44.94	48.01	51.33	41.78	42.69	45.61	48.76	38.70	39.55	42.25	45.17	36.24	37.03	39.56	42.29	35.18	35.95	38.41	41.06
	S/T	0.92	0.86	0.70	0.52	0.95	0.89	0.72	0.54	0.97	0.91	0.74	0.56	1.00	0.94	0.77	0.57	1.00	0.98	0.80	0.59	1.00	1.00	0.80	0.60	1.00	1.00	0.82	0.62	1.00	1.00	0.83	0.62
	ΔT	22	21	18	15	22	22	19	15	22	22	19	15	23	22	19	15	21	21	19	15	20	20	17	14	19	19	17	13	18	18	16	13
	kW	3.75	3.83	3.95	4.08	4.25	4.35	4.48	4.63	4.67	4.78	4.93	5.10	5.10	5.21	5.39	5.57	5.49	5.61	5.80	6.00	5.85	5.98	6.19	6.40	6.16	6.31	6.52	6.75	6.30	6.44	6.67	6.90
	Amps	8.1	8.2	8.4	8.7	8.6	8.7	9.0	9.2	9.1	9.3	9.6	9.9	9.6	9.8	10.1	10.4	10.1	10.3	10.6	11.0	10.6	10.8	11.1	11.5	10.9	11.2	11.5	11.8	11.1	11.3	11.6	12.0
	Hi PR	178	191	202	210	199	214	226	236	227	244	258	269	258	278	293	306	290	313	330	344	321	345	365	380	341	367	387	404	349	376	397	414
	Lo PR	57	61	67	71	61	64	70	75	63	67	73	78	66	70	77	82	69	74	80	86	72	76	83	89	73	77	85	90	73	78	85	91
	MBh	46.6	47.6	50.9	54.4	45.5	46.5	49.7	53.1	44.4	45.4	48.5	51.8	43.3	44.3	47.3	50.6	41.2	42.1	44.9	48.0	38.1	39.0	41.6	44.5	35.7	36.5	39.0	41.7	34.7	35.4	37.8	40.5
	S/T	0.88	0.82	0.67	0.50	0.91	0.85	0.69	0.52	0.93	0.87	0.71	0.53	0.96	0.90	0.73	0.55	1.00	0.94	0.76	0.57	1.00	0.94	0.77	0.57	1.00	0.97	0.79	0.59	1.00	0.98	0.80	0.60
	ΔT	23	22	19	16	24	23	20	16	24	23	20	16	24	23	20	16	24	23	20	16	24	23	20	16	24	23	20	16	24	23	20	16
kW	3.73	3.81	3.93	4.05	4.23	4.32	4.46	4.60	4.65	4.75	4.90	5.07	5.07	5.18	5.36	5.54	5.46	5.58	5.77	5.97	5.81	5.95	6.15	6.36	6.13	6.27	6.48	6.71	6.26	6.40	6.62	6.86	
Amps	8.0	8.2	8.4	8.6	8.5	8.7	8.9	9.2	9.1	9.3	9.5	9.8	9.6	9.8	10.0	10.3	10.1	10.3	10.6	10.9	10.6	10.8	11.1	11.4	10.9	11.1	11.4	11.8	11.0	11.3	11.6	11.9	
Hi PR	176	190	200	209	198	213	225	235	225	242	256	267	256	276	291	304	288	310	328	342	319	343	362	378	338	364	385	401	347	373	394	411	
Lo PR	57	61	66	70	60	64	70	74	62	66	73	77	66	70	76	81	69	73	80	85	71	76	83	88	72	77	84	89	73	77	85	90	
MBh	44.3	45.2	48.3	51.6	43.2	44.2	47.2	50.4	42.2	43.1	46.1	49.2	41.2	42.1	44.9	48.0	39.1	40.0	42.7	45.6	36.2	37.0	39.5	42.3	33.9	34.7	37.0	39.6	32.9	33.6	36.0	38.4	
S/T	0.84	0.79	0.64	0.48	0.87	0.82	0.66	0.50	0.89	0.84	0.68	0.51	0.92	0.86	0.70	0.53	0.96	0.90	0.73	0.55	0.96	0.90	0.74	0.55	0.99	0.93	0.76	0.57	1.00	0.94	0.76	0.57	
ΔT	24	23	20	16	24	23	20	16	24	23	20	16	25	24	21	16	24	23	20	16	24	23	20	16	24	23	20	16	24	23	20	16	
kW	3.67	3.75	3.87	3.99	4.16	4.25	4.39	4.53	4.57	4.67	4.82	4.98	4.99	5.10	5.27	5.44	5.36	5.49	5.67	5.86	5.71	5.84	6.04	6.25	6.02	6.16	6.37	6.59	6.15	6.29	6.51	6.74	
Amps	7.9	8.1	8.3	8.5	8.4	8.6	8.8	9.0	9.0	9.1	9.4	9.7	9.5	9.6	9.9	10.2	9.9	10.1	10.4	10.7	10.4	10.6	10.9	11.3	10.7	10.9	11.2	11.6	10.9	11.1	11.4	11.7	
Hi PR	173	186	196	205	194	209	220	230	221	237	251	261	251	270	285	298	283	304	321	335	312	336	355	370	332	357	377	393	340	366	386	403	
Lo PR	56	59	65	69	59	63	68	73	61	65	71	76	64	68	75	80	67	72	78	83	70	74	81	86	71	75	82	88	71	76	83	88	

85	MBh	48.10	49.03	51.36	54.79	46.99	47.89	50.16	53.51	45.87	46.75	48.97	52.24	44.75	45.61	47.77	50.97	42.51	43.33	45.38	48.42	39.38	40.14	42.04	44.85	36.87	37.59	39.36	42.00	35.80	36.49	38.22	40.77
	S/T	0.96	0.93	0.84	0.68	0.99	0.96	0.87	0.70	1.00	0.98	0.89	0.72	1.00	1.00	0.92	0.74	1.00	1.00	0.95	0.77	1.00	1.00	0.96	0.78	1.00	1.00	0.99	0.80	1.00	1.00	1.00	0.81
	ΔT	23	22	19	15	24	24	22	19	24	24	22	19	23	23	22	19	22	22	22	19	20	21	21	18	19	19	20	17	18	19	20	17
	kW	3.78	3.86	3.98	4.11	4.29	4.38	4.52	4.67	4.71	4.81	4.97	5.14	5.14	5.26	5.43	5.62	5.54	5.66	5.85	6.05	5.90	6.03	6.24	6.46	6.22	6.36	6.58	6.81	6.35	6.50	6.72	6.96
	Amps	8.1	8.3	8.5	8.7	8.6	8.8	9.0	9.3	9.2	9.4	9.6	9.9	9.7	9.9	10.2	10.5	10.2	10.4	10.7	11.0	10.7	10.9	11.2	11.6	11.0	11.3	11.6	11.9	11.2	11.4	11.7	12.1
	Hi PR	179	193	204	213	201	217	229	239	229	246	260	271	261	281	296	309	293	316	333	348	324	349	368	384	344	370	391	408	353	380	401	418
	Lo PR	58	62	67	72	61	65	71	76	64	68	74	79	67	71	78	83	70	74	81	87	72	77	84	89	74	78	85	91	74	79	86	92
	MBh	47.4	48.3	50.6	54.0	46.3	47.2	49.4	52.7	45.2	46.1	48.2	51.5	44.1	44.9	47.1	50.2	41.9	42.7	44.7	47.7	38.8	39.5	41.4	44.2	36.3	37.0	38.8	41.4	35.3	36.0	37.7	40.2
	S/T	0.92	0.89	0.80	0.65	0.95	0.92	0.83	0.67	0.98	0.94	0.85	0.69	1.00	0.97	0.88	0.71	1.00	1.00	0.91	0.74	1.00	1.00	0.92	0.75	1.00	1.00	0.94	0.77	1.00	1.00	1.00	0.95
	ΔT	25	25	23	20	25	25	23	20	25	25	24	20	25	25	24	20	24	24	24	21	24	24	23	20	24	24	23	21	24	24	23	21
kW	3.76	3.84	3.96	4.08	4.26	4.36	4.50	4.64	4.68	4.79	4.94	5.11	5.11	5.23	5.40	5.58	5.50	5.63	5.82	6.02	5.86	6.00	6.20	6.42	6.18	6.32	6.54	6.77	6.31	6.46	6.68	6.92	
Amps	8.1	8.2	8.4	8.7	8.6	8.7	9.0	9.2	9.2	9.3	9.6	9.9	9.7	9.9	10.1	10.4	10.2	10.4	10.6	11.0	10.6	10.9	11.2	11.5	11.0	11.2	11.5	11.9	11.1	11.3	11.7	12.0	
Hi PR	178	192	202	211	200	215	227	237	227	245	258	269	259	279	294	307	291	313	331	345	322	346	366	381	342	368	388	405	350	377	398	415	
Lo PR	57	61	67	71	61	65	70	75	63	67	73	78	66	70	77	82	69	74	81	86	72	76	83	89	73	78	85	90	73	78	85	91	
MBh	45.0	45.9	48.1	51.3	44.0	44.8	46.9	50.1	42.9	43.8	45.8	48.9	41.9	42.7	44.7	47.7	39.8	40.6	42.5	45.3	36.9	37.6	39.3	42.0	34.5	35.2	36.8	39.3	33.5	34.2	35.8	38.2	
S/T	0.88	0.85	0.77	0.62	0.91	0.88	0.79	0.64	0.94	0.90	0.81	0.66	0.97	0.93	0.84	0.68	1.00	0.97	0.87	0.71	1.00	0.98	0.88	0.71	1.00	0.99	0.90	0.73	1.00	1.00	1.00	0.91	
ΔT	26	25	24	21	26	26	24	21	26	26	24	21	26	26	24	21	26	25	24	21	26	25	24	21	26	25	24	21	26	25	24	21	
kW	3.70	3.78	3.90	4.02	4.19	4.28	4.42	4.57	4.61	4.71	4.86	5.02	5.03	5.14	5.31	5.49	5.41	5.53	5.72	5.91	5.76	5.89	6.09	6.31	6.07	6.21	6.42	6.65	6.20	6.35	6.57	6.80	
Amps	8.0	8.1	8.3	8.6	8.5	8.6	8.8	9.1	9.0	9.2	9.4	9.7	9.5	9.7	10.0	10.3	10.0	10.2	10.5	10.8	10.5	10.7	11.0	11.3	10.8	11.0	11.3	11.7	10.9	11.2	11.5	11.8	
Hi PR	175	188	198	207	196	211	223	232	223	240	253	264	254	273	288	301	285	307	324	338	315	339	358	374	335	360							

EXPANDED COOLING DATA — CPKF60-5M & ARUF060-00*-2*

IDB	AIRFLOW	OUTDOOR AMBIENT TEMPERATURE																																
		65°F				75°F				85°F				95°F				105°F				115°F				118°F				125°F				
		59	63	67	71	59	63	67	71	59	63	67	71	59	63	67	71	59	63	67	71	59	63	67	71	59	63	67	71	59	63	67	71	
70	1785	MBh	54.5	56.4	61.8	-	53.2	55.1	60.4	-	51.9	53.8	59.0	-	50.7	52.5	57.5	-	48.1	49.9	54.6	-	44.6	46.2	50.6	-	41.7	43.3	47.4	-	40.5	42.0	46.0	-
		S/T	0.68	0.57	0.39	-	0.70	0.59	0.41	-	0.72	0.60	0.42	-	0.74	0.62	0.43	-	0.77	0.64	0.45	-	0.78	0.65	0.45	-	0.8	0.7	0.5	-	0.81	0.67	0.47	-
		ΔT	19	16	12	-	19	17	13	-	19	17	13	-	19	17	13	-	19	17	13	-	18	15	12	-	17.2	14.8	11.3	-	17	15	11	-
		kW	3.94	4.03	4.18	-	4.56	4.67	4.85	-	5.08	5.21	5.40	-	5.61	5.75	5.97	-	6.10	6.25	6.49	-	6.54	6.71	6.96	-	6.9	7.1	7.4	-	7.10	7.28	7.56	-
		Amps	10.8	11.0	11.3	-	11.5	11.7	12.0	-	12.2	12.5	12.8	-	12.9	13.1	13.5	-	13.5	13.8	14.2	-	14.2	14.5	14.9	-	14.6	14.9	15.3	-	14.8	15.1	15.5	-
	1597	Hi PR	168	181	191	-	188	203	214	-	214	231	243	-	244	263	277	-	275	295	312	-	303	326	345	-	322.1	346.6	366.0	-	330	355	375	-
		Lo PR	48	51	56	-	51	54	59	-	53	56	61	-	55	59	64	-	58	62	67	-	60	64	70	-	60.8	64.7	70.7	-	61	65	71	-
		MBh	53.7	55.6	60.9	-	52.4	54.3	59.5	-	51.2	53.0	58.1	-	49.9	51.7	56.7	-	47.4	49.1	53.8	-	43.9	45.5	49.9	-	41.1	42.6	46.7	-	39.9	41.4	45.3	-
		S/T	0.65	0.54	0.37	-	0.67	0.56	0.39	-	0.69	0.58	0.40	-	0.71	0.59	0.41	-	0.74	0.62	0.43	-	0.74	0.62	0.43	-	0.8	0.6	0.4	-	0.77	0.65	0.45	-
		ΔT	20	17	13	-	20	18	13	-	20	18	13	-	20	17	13	-	20	17	13	-	19	16	12	-	18.1	15.7	11.9	-	18	15	12	-
1409	kW	3.91	4.01	4.16	-	4.53	4.64	4.81	-	5.05	5.17	5.37	-	5.58	5.72	5.93	-	6.06	6.21	6.44	-	6.50	6.67	6.92	-	6.9	7.1	7.3	-	7.05	7.24	7.51	-	
	Amps	10.8	11.0	11.2	-	11.4	11.6	11.9	-	12.2	12.4	12.7	-	12.8	13.1	13.4	-	13.5	13.7	14.1	-	14.1	14.4	14.8	-	14.5	14.8	15.2	-	14.7	15.0	15.4	-	
	Hi PR	167	179	189	-	187	201	213	-	213	229	242	-	242	261	275	-	273	293	310	-	301	324	342	-	319.9	344.2	363.5	-	328	353	373	-	
	Lo PR	48	51	55	-	50	53	58	-	52	56	61	-	55	58	64	-	57	61	67	-	59	63	69	-	60.4	64.3	70.2	-	61	65	71	-	
	MBh	51.0	52.8	57.9	-	49.8	51.6	56.5	-	48.6	50.4	55.2	-	47.4	49.1	53.8	-	45.0	46.7	51.1	-	41.7	43.2	47.4	-	39.1	40.5	44.4	-	37.9	39.3	43.1	-	

75	1785	MBh	55.38	57.02	61.72	66.24	54.09	55.69	60.28	64.70	52.80	54.37	58.85	63.16	51.52	53.04	57.41	61.62	48.94	50.39	54.54	58.54	45.33	46.68	50.52	54.22	42.45	43.70	47.31	50.77	41.21	42.43	45.93	49.29
		S/T	0.77	0.69	0.52	0.34	0.80	0.71	0.54	0.35	0.82	0.73	0.55	0.36	0.84	0.75	0.57	0.37	0.88	0.78	0.59	0.38	0.88	0.79	0.60	0.38	0.91	0.81	0.61	0.40	0.92	0.82	0.62	0.40
		ΔT	22	20	17	11	22	20	17	12	22	20	17	12	22	21	17	12	22	20	17	12	22	20	17	11	21	19	16	11	20	18	15	10
		kW	3.97	4.07	4.22	4.38	4.60	4.72	4.89	5.08	5.13	5.26	5.45	5.66	5.67	5.81	6.03	6.26	6.16	6.31	6.55	6.80	6.61	6.78	7.03	7.30	7.00	7.18	7.45	7.74	7.17	7.36	7.63	7.93
		Amps	10.9	11.1	11.4	11.7	11.6	11.8	12.1	12.4	12.3	12.6	12.9	13.3	13.0	13.2	13.6	14.0	13.6	13.9	14.3	14.7	14.3	14.6	15.0	15.4	14.7	15.0	15.4	15.9	14.9	15.2	15.6	16.1
	1597	Hi PR	170	183	193	201	190	205	216	226	216	233	246	257	247	265	280	292	277	298	315	329	306	330	348	363	325	350	370	386	334	359	379	395
		Lo PR	48	51	56	60	51	54	59	63	53	57	62	66	56	59	65	69	58	62	68	72	60	64	70	75	61	65	71	76	62	66	72	77
		MBh	54.6	56.2	60.8	65.3	53.3	54.9	59.4	63.7	52.0	53.6	58.0	62.2	50.8	52.3	56.6	60.7	48.2	49.6	53.7	57.7	44.7	46.0	49.8	53.4	41.8	43.1	46.6	50.0	40.6	41.8	45.2	48.6
		S/T	0.74	0.66	0.50	0.32	0.76	0.68	0.52	0.33	0.78	0.70	0.53	0.34	0.81	0.72	0.55	0.35	0.84	0.75	0.57	0.37	0.85	0.76	0.57	0.37	0.87	0.78	0.59	0.38	0.88	0.79	0.59	0.38
		ΔT	23	21	17	12	23	22	18	12	23	22	18	12	24	22	18	12	23	21	18	12	22	20	16	11	21	19	16	11	21	19	15	11
1409	kW	3.95	4.05	4.19	4.35	4.57	4.69	4.86	5.04	5.10	5.22	5.42	5.62	5.63	5.77	5.99	6.22	6.12	6.27	6.51	6.76	6.56	6.73	6.99	7.25	6.96	7.13	7.40	7.69	7.12	7.31	7.58	7.87	
	Amps	10.9	11.0	11.3	11.6	11.5	11.7	12.0	12.4	12.3	12.5	12.8	13.2	12.9	13.2	13.5	13.9	13.6	13.8	14.2	14.6	14.2	14.5	14.9	15.4	14.6	14.9	15.3	15.8	14.8	15.1	15.5	16.0	
	Hi PR	168	181	191	200	189	203	215	224	215	231	244	255	245	263	278	290	275	296	313	326	304	327	346	361	323	348	367	383	331	356	376	393	
	Lo PR	48	51	56	59	51	54	59	63	53	56	61	65	55	59	64	69	58	62	67	72	60	64	70	74	61	65	71	75	61	65	71	76	
	MBh	51.8	53.4	57.8	62.0	50.6	52.1	56.4	60.6	49.4	50.9	55.1	59.1	48.2	49.6	53.7	57.7	45.8	47.2	51.0	54.8	42.4	43.7	47.3	50.8	39.7	40.9	44.3	47.5	38.6	39.7	43.0	46.1	

IDB: Entering Indoor Dry Bulb Temperature
 High and low pressures are measured at the liquid and suction service valves.
 Shaded area reflects ACCA (TVA) conditions
 kW = Total system power
 Amps = outdoor unit amps (comp.-fan)

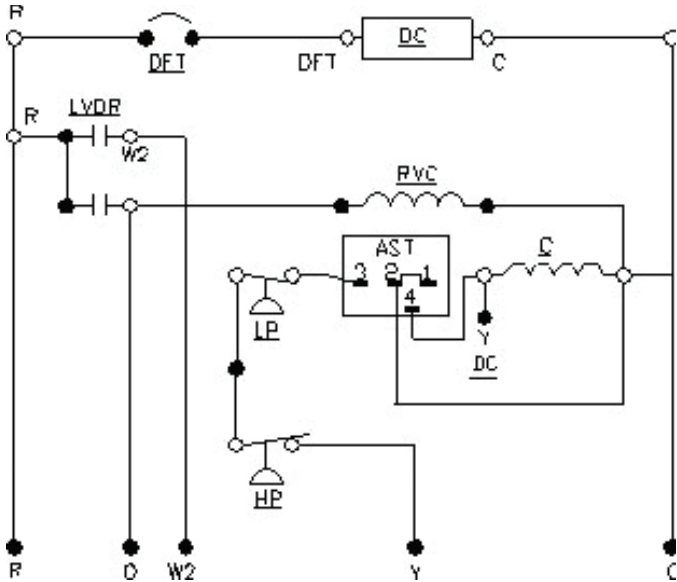
EXPANDED COOLING DATA — CPKF60-5M & ARUF60-00*-2* (CONT.)

IDB	AIRFLOW	OUTDOOR AMBIENT TEMPERATURE												ENTERING INDOOR WET BULB TEMPERATURE																					
		65°F				75°F				85°F				95°F				105°F				115°F				118°F				125°F					
		59	63	67	71	59	63	67	71	59	63	67	71	59	63	67	71	59	63	67	71	59	63	67	71	59	63	67	71	59	63	67	71	59	63
70	MBh	56.36	57.59	61.53	65.78	55.05	56.25	60.10	64.25	53.74	54.91	58.67	62.72	52.43	53.58	57.24	61.19	49.81	50.90	54.38	58.13	46.14	47.15	50.37	53.85	43.20	44.15	47.16	50.42	41.94	42.86	45.79	48.95		
	S/T	0.84	0.79	0.64	0.48	0.87	0.82	0.67	0.50	0.90	0.84	0.68	0.51	0.93	0.87	0.71	0.53	0.96	0.90	0.73	0.55	0.97	0.91	0.74	0.55	0.99	0.93	0.76	0.57	1.00	0.94	0.77	0.57		
	ΔT	25	23	20	16	25	24	21	17	25	24	21	17	25	24	21	16	25	24	21	16	23	22	19	15	22	21	18	15	22	21	18	14		
	kW	4.01	4.11	4.26	4.42	4.65	4.76	4.94	5.13	5.18	5.31	5.51	5.72	5.72	5.87	6.09	6.32	6.22	6.37	6.61	6.87	6.67	6.84	7.10	7.37	7.07	7.25	7.53	7.81	7.24	7.43	7.71	8.00		
	Amps	11.0	11.2	11.5	11.8	11.6	11.9	12.2	12.5	12.4	12.6	13.0	13.4	13.1	13.3	13.7	14.1	13.7	14.0	14.4	14.8	14.4	14.7	15.1	15.6	14.8	15.1	15.5	16.0	15.0	15.3	15.7	16.2		
	Hi PR	171	184	195	203	192	207	218	228	219	235	248	259	249	268	283	295	280	301	318	332	310	333	352	367	329	354	374	390	337	363	383	399		
	Lo PR	49	52	57	60	52	55	60	64	54	57	62	66	56	60	65	70	59	63	69	73	61	65	71	76	62	66	72	77	62	66	73	77		
	MBh	55.5	56.7	60.6	64.8	54.2	55.4	59.2	63.3	52.9	54.1	57.8	61.8	51.7	52.8	56.4	60.3	49.1	50.1	53.6	57.3	45.5	46.4	49.6	53.1	42.6	43.5	46.5	49.7	41.3	42.2	45.1	48.2		
	S/T	0.81	0.76	0.62	0.46	0.84	0.79	0.64	0.48	0.86	0.81	0.66	0.49	0.89	0.83	0.68	0.51	0.92	0.86	0.70	0.52	0.93	0.87	0.71	0.53	0.95	0.89	0.73	0.54	0.96	0.90	0.74	0.55		
	ΔT	26	25	22	17	26	25	22	17	26	25	22	17	26	25	22	18	26	25	22	17	24	23	20	16	23	22	19	16	23	22	19	15		
	kW	3.99	4.08	4.23	4.39	4.62	4.73	4.91	5.09	5.14	5.27	5.47	5.68	5.68	5.83	6.05	6.28	6.17	6.33	6.57	6.82	6.63	6.80	7.05	7.32	7.02	7.20	7.48	7.76	7.19	7.38	7.66	7.95		
	Amps	10.9	11.1	11.4	11.7	11.6	11.8	12.1	12.4	12.4	12.6	12.9	13.3	13.0	13.3	13.6	14.0	13.7	13.9	14.3	14.7	14.3	14.6	15.0	15.5	14.7	15.0	15.5	15.9	14.9	15.2	15.7	16.1		
Hi PR	170	183	193	202	191	205	217	226	217	234	247	257	247	266	281	293	278	299	316	330	307	331	349	364	326	351	371	387	335	360	380	397			
Lo PR	49	52	56	60	51	55	60	63	53	57	62	66	56	60	65	69	59	62	68	73	61	65	70	75	62	66	72	76	62	66	73	77			
MBh	52.8	53.9	57.6	61.6	51.5	52.7	56.3	60.1	50.3	51.4	54.9	58.7	49.1	50.1	53.6	57.3	46.6	47.6	50.9	54.4	43.2	44.1	47.1	50.4	40.4	41.3	44.1	47.2	39.3	40.1	42.9	45.8			
S/T	0.77	0.73	0.59	0.44	0.80	0.75	0.61	0.46	0.82	0.77	0.63	0.47	0.85	0.80	0.65	0.48	0.88	0.83	0.67	0.50	0.89	0.83	0.68	0.51	0.91	0.86	0.70	0.52	0.92	0.87	0.70	0.53			
ΔT	27	26	22	18	27	26	22	18	27	26	22	18	27	26	23	18	27	26	22	18	25	24	21	17	24	23	20	16	24	23	20	16			
kW	3.91	4.01	4.16	4.31	4.53	4.64	4.81	5.00	5.05	5.17	5.37	5.57	5.58	5.72	5.93	6.16	6.06	6.21	6.44	6.69	6.50	6.67	6.92	7.18	6.89	7.06	7.33	7.61	7.05	7.24	7.51	7.80			
Amps	10.8	11.0	11.2	11.6	11.4	11.6	11.9	12.3	12.2	12.4	12.7	13.1	12.8	13.1	13.4	13.8	13.5	13.7	14.1	14.5	14.1	14.4	14.8	15.2	14.5	14.8	15.2	15.7	14.7	15.0	15.4	15.9			
Hi PR	167	179	189	198	187	201	213	222	213	229	242	252	242	261	275	287	273	293	310	323	301	324	342	357	320	344	364	379	328	353	373	389			
Lo PR	48	51	55	59	50	53	58	62	52	56	61	65	55	58	64	68	57	61	67	71	59	63	69	74	60	64	70	75	61	65	71	75			

75	MBh	57.35	58.46	61.22	65.32	56.01	57.10	59.80	63.80	54.68	55.74	58.38	62.28	53.35	54.38	56.95	60.76	50.68	51.66	54.11	57.72	46.95	47.85	50.12	53.47	43.96	44.81	46.93	50.07	42.68	43.50	45.56	48.61
	S/T	0.88	0.85	0.77	0.63	0.92	0.88	0.80	0.65	0.94	0.91	0.82	0.66	0.97	0.94	0.85	0.69	1.00	0.97	0.88	0.71	1.00	0.98	0.88	0.72	1.00	0.99	0.91	0.74	1.00	1.00	0.92	0.75
	ΔT	26	26	24	21	26	26	25	21	26	26	25	21	27	26	25	21	26	26	24	21	24	24	23	20	23	23	22	22	22	22	22	19
	kW	4.05	4.15	4.30	4.46	4.69	4.81	4.99	5.17	5.23	5.36	5.56	5.77	5.78	5.92	6.14	6.38	6.27	6.43	6.68	6.93	6.73	6.91	7.17	7.44	7.14	7.32	7.60	7.89	7.31	7.50	7.78	8.08
	Amps	11.1	11.3	11.5	11.9	11.7	11.9	12.2	12.6	12.5	12.7	13.1	13.5	13.2	13.4	13.8	14.2	13.8	14.1	14.5	14.9	14.5	14.8	15.2	15.7	14.9	15.2	15.7	16.2	15.1	15.4	15.9	16.4
	Hi PR	173	186	197	205	194	209	221	230	221	238	251	262	252	271	286	298	283	304	322	335	313	336	355	371	332	357	377	393	340	366	387	403
	Lo PR	49	53	57	61	52	55	61	64	54	58	63	67	57	61	66	70	60	63	69	74	62	66	72	76	63	67	73	78	63	67	73	78
	MBh	56.5	57.6	60.3	64.4	55.2	56.3	58.9	62.9	53.9	54.9	57.5	61.4	52.6	53.6	56.1	59.9	49.9	50.9	53.3	56.9	46.3	47.1	49.4	52.7	43.3	44.1	46.2	49.3	42.0	42.9	44.9	47.9
	S/T	0.85	0.82	0.74	0.60	0.88	0.85	0.76	0.62	0.90	0.87	0.78	0.64	0.93	0.90	0.81	0.66	0.96	0.93	0.84	0.68	0.97	0.94	0.85	0.69	0.99	0.96	0.87	0.71	1.00	0.98	0.88	0.71
	ΔT	28	27	26	22	28	27	26	22	28	27	26	22	28	28	26	23	28	27	26	22	26	25	24	21	25	24	23	20	24	24	23	20
	kW	4.02	4.12	4.27	4.43	4.66	4.78	4.95	5.14	5.19	5.32	5.52	5.73	5.74	5.88	6.10	6.34	6.23	6.39	6.63	6.89	6.69	6.86	7.12	7.39	7.09	7.27	7.55	7.84	7.26	7.45	7.73	8.03
	Amps	11.0	11.2	11.5	11.8	11.7	11.9	12.2	12.5	12.4	12.7	13.0	13.4	13.1	13.4	13.7	14.1	13.8	14.0	14.4	14.9	14.4	14.7	15.1	15.6	14.9	15.2	15.6	16.1	15.0	15.3	15.8	16.3
Hi PR	172	185	195	204	193	207	219	229	219	236	249	260	250	269	284	296	281	302	319	333	310	334	353	368	330	355	375	391	338	364	384	401	
Lo PR	49	52	57	61	52	55	60	64	54	57	62	67	57	60	66	70	59	63	69	73	61	65	71	76	62	66	72	77	63	67	73	78	
MBh	53.7	54.7	57.3	61.1	52.4	53.4	56.0	59.7	51.2	52.2	54.6	58.3	49.9	50.9	53.3	56.9	47.4	48.4	50.6	54.0	43.9	44.8	46.9	50.0	41.1	41.9	43.9	46.9	39.9	40.7	42.6	45.5	
S/T	0.81	0.78	0.71	0.57	0.84	0.81	0.73	0.59	0.86	0.83	0.75	0.61	0.89	0.86	0.78	0.63	0.92	0.89	0.80	0.65	0.93	0.90	0.81	0.66	0.96	0.92	0.83	0.68	0.97	0.93	0.84	0.68	
ΔT	28	28	26	23	29	28	27	23	29	28	27	23	29	29	27	23	29	28	27	23	27	26	25	21	26	25	24	21	25	25	23	20	
kW	3.95	4.05	4.19	4.35	4.57	4.69	4.86	5.04	5.10	5.22	5.42	5.62	5.63	5.77	5.99	6.22	6.11	6.27	6.51	6.75	6.56	6.73	6.98	7.25	6.95	7.13	7.40	7.69	7.12	7.30	7.58	7.87	
Amps	10.9	11.0	11.3	11.6	11.5	11.7	12.0	12.4	12.3	12.5	12.8	13.2	12.9	13.2	13.5	13.9	13.6	13.8	14.2	14.6	14.2	14.5	14.9	15.3	14.6	14.9	15.3	15.8	14.8	15.1	15.5	16.0	
Hi PR	168	181	191	200	189	203	215	224	215	231																							

SCHEMATIC WIRING DIAGRAMS

LOW-VOLTAGE CONTROL WIRING DIAGRAM

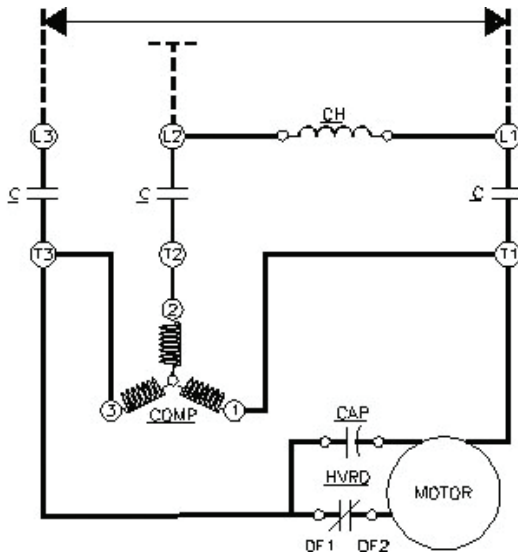


COMPONENT CODES

- CM Outdoor Fan Motor
- COMP Compressor
- C Contactor
- DC Defrost Control
- LDVR Low-Voltage Defrost Relay
- CH Crankcase Heater
- IO Internal Overload
- LP Low-Pressure Control
- HP High-Pressure Control
- OT Outdoor Thermostat (Optional)
- FC Fan Capacitor
- DFT Defrost Thermostat
- RVC Reversing Valve Coil
- HVDR High-Voltage Defrost Relay
- AST Anti-Short Cycle Timer

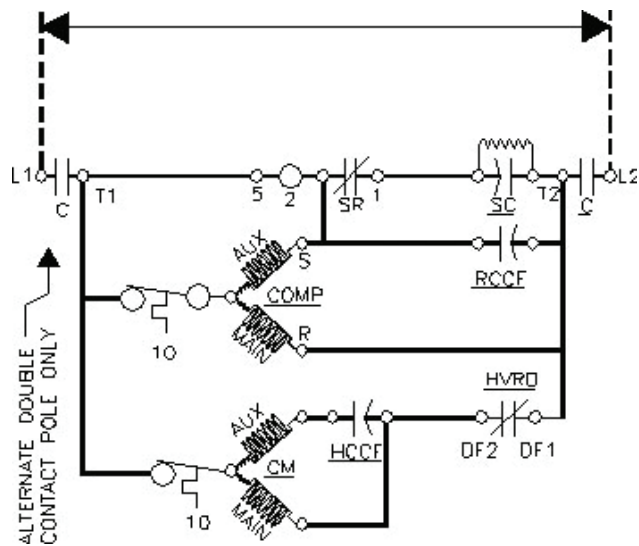
LINE-VOLTAGE POWER WIRING DIAGRAMS

380/415, 50 HZ, 3 PH



CPKF36-5, CPKF48-5, CPKF60-5 & CPKF61-5

220/240, 50HZ, 1 PH



CPKF24-2, CPKF36-2 & CPKF48-2



Free Manuals Download Website

<http://myh66.com>

<http://usermanuals.us>

<http://www.somanuals.com>

<http://www.4manuals.cc>

<http://www.manual-lib.com>

<http://www.404manual.com>

<http://www.luxmanual.com>

<http://aubethermostatmanual.com>

Golf course search by state

<http://golfingnear.com>

Email search by domain

<http://emailbydomain.com>

Auto manuals search

<http://auto.somanuals.com>

TV manuals search

<http://tv.somanuals.com>