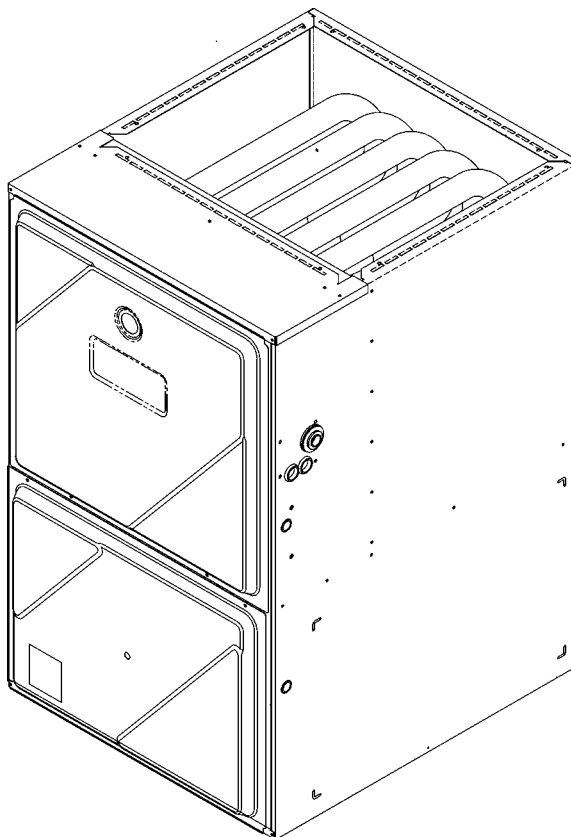


REPAIR PARTS

*CVC9 90% C'Flow 2-Stage
Variable Speed Furnace

ACVC90704CXAA
ACVC90704CXAB
ACVC90905DXAA
ACVC90905DXAB
ACVC950714CXAA
ACVC950915DXAA
GCVC90704CXAA
GCVC90704CXAB
GCVC90905DXAA
GCVC90905DXAB
GCVC91155DXAA
GCVC91155DXAB
GCVC950714CXAA
GCVC950915DXAA



This manual is to be used by qualified technicians only.

This manual replaces RP-508B

© 2009-2010 Goodman Manufacturing Company, L.P. ♦ 5151 San Felipe, Suite 500 ♦ Houston, TX 77056

Important Information

Index

Functional Parts List	3
Illustration and Parts	4 - 11

Views shown are for parts illustrations only, not servicing procedures.

Revision C: Changed ACVC950704CXAA to ACVC950714CXAA; changed ACVC950905DXAA to ACVC950915DXAA; changed GCVC950704CXAA to GCVC950714CXAA; changed GCVC950905DXAA to GCVC950915DXAA.

Text Codes:

AR - As Required

NA - Not Available

NS - Not Shown

00000000 - See Note

QTY - Quantity Example (QTY 3) (If Quantity not shown, Quantity = 1)

M - Model Example (M1) (If M Code not shown, then part is used on all Models)

Expanded Model Nomenclature:

Example M1 - Model#1 M2 - Model#2 M3 - Model#3

Goodman Manufacturing Company, L.P. is not responsible for personal injury or property damage resulting from improper service. Review all service information before beginning repairs.

Warranty service must be performed by an authorized technician, using authorized factory parts. If service is required after the warranty expires, Goodman Manufacturing Company, L.P. also recommends contacting an authorized technician and using authorized factory parts.

Goodman Manufacturing Company, L.P. reserves the right to discontinue, or change at any time, specifications or designs without notice or without incurring obligations.

For assistance within the U.S.A. contact:
Consumer Affairs Department
Goodman Manufacturing Company, L.P.
7401 Security Way
Houston, Texas 77040
877-254-4729-Telephone
713-863-2382-Facsimile

For assistance outside the U.S.A. contact:
International Division
Goodman Manufacturing Company, L.P.
7401 Security Way
Houston, Texas 77040
713-861-2500-Telephone
713-863-2382-Facsimile

Functional Parts

Part

No: Description:

Part No:	Description:																
10735102S	BECKETT BURNER (QTY AR)	IO-341B	INSTALLATION INSTRUCTIONS (M2, M4, M8, M10, M12)														
D6723311S	BLOWER WHEEL (M3, M4, M6, M9, M10, M11, M12, M14)	IO-341C	INSTALLATION INSTRUCTIONS (M5, M6, M13, M14)														
B1368047A	BLOWER WHEEL 10 X 10 (M1, M2, M5, M7, M8, M13)	IO-661	INSTALLATION INSTRUCTIONS														
0130F00010	FLAME SENSOR	Expanded Model Nomenclature															
0151M00014	GAS VALVE - HONEYWELL 2-STAGE (M2, M4, M5, M6, M8, M10, M12, M13, M14)	<table border="1"> <tr><td>M1 - ACVC90704CXAA</td></tr> <tr><td>M2 - ACVC90704CXAB</td></tr> <tr><td>M3 - ACVC90905DXAA</td></tr> <tr><td>M4 - ACVC90905DXAB</td></tr> <tr><td>M5 - ACVC950714CXAA</td></tr> <tr><td>M6 - ACVC950915DXAA</td></tr> <tr><td>M7 - GCVC90704CXAA</td></tr> <tr><td>M8 - GCVC90704CXAB</td></tr> <tr><td>M9 - GCVC90905DXAA</td></tr> <tr><td>M10 - GCVC90905DXAB</td></tr> <tr><td>M11 - GCVC91155DXAA</td></tr> <tr><td>M12 - GCVC91155DXAB</td></tr> <tr><td>M13 - GCVC950714CXAA</td></tr> <tr><td>M14 - GCVC950915DXAA</td></tr> </table>		M1 - ACVC90704CXAA	M2 - ACVC90704CXAB	M3 - ACVC90905DXAA	M4 - ACVC90905DXAB	M5 - ACVC950714CXAA	M6 - ACVC950915DXAA	M7 - GCVC90704CXAA	M8 - GCVC90704CXAB	M9 - GCVC90905DXAA	M10 - GCVC90905DXAB	M11 - GCVC91155DXAA	M12 - GCVC91155DXAB	M13 - GCVC950714CXAA	M14 - GCVC950915DXAA
M1 - ACVC90704CXAA																	
M2 - ACVC90704CXAB																	
M3 - ACVC90905DXAA																	
M4 - ACVC90905DXAB																	
M5 - ACVC950714CXAA																	
M6 - ACVC950915DXAA																	
M7 - GCVC90704CXAA																	
M8 - GCVC90704CXAB																	
M9 - GCVC90905DXAA																	
M10 - GCVC90905DXAB																	
M11 - GCVC91155DXAA																	
M12 - GCVC91155DXAB																	
M13 - GCVC950714CXAA																	
M14 - GCVC950915DXAA																	
0151F00000P	GAS VALVE - WHITE-RODGERS 2-STAGE (M1, M3, M7, M9, M11)																
20245903S	ID BLOWER																
B1141666	INDUCTOR-5.9 AMP																
B1370818	INTERLOCK SWITCH																
0130F00105	LIMIT SWITCH (M6, M14)																
10123517	MANUAL RESET LIMIT (M3, M4, M5, M6, M9, M10, M11, M12, M13, M14)																
10123536	MANUAL RESET LIMIT 180°F (M3, M4, M9, M10, M11, M12)																
10123534	MANUAL RESET LIMIT 220°F (M1, M2, M7, M8)																
10123534	MANUAL RESET LIMIT 220°F (M1, M2, M7, M8)																
0131M00113S	MOTOR, 1 HP SERIAL ECM (M3, M4, M6, M9, M10, M11, M12, M14)																
0131M00112S	MOTOR, 3/4 HP SERIAL ECM (M1, M2, M5, M7, M8, M13)																
10716003	ORIFICE (QTY AR)																
PCBKF101S	PCB, CONTROL, FURNACE																
0130F00100	PRESSURE SWITCH (M5, M6, M13, M14)																
0130F00070	PRESSURE SWITCH (M5, M6, M13, M14)																
20197313	PRESSURE SWITCH-PINK (M1, M2, M3, M4, M7, M8, M9, M10, M11, M12)																
11177118	PRESURE SWITCH-LIME (M1, M2, M3, M4, M7, M8, M9, M10, M11, M12)																
20162903	PRIMARY LIMIT - BLUE (M1, M2, M7, M8)																
20162908	PRIMARY LIMIT - GREEN (M3, M4, M9, M10)																
0130F00038	PRIMARY LIMIT - LT BLUE 120° (M6, M14)																
0130F00038	PRIMARY LIMIT - LT BLUE 120° (M5, M13)																
20162904	PRIMARY LIMIT-TEMPERATURE CONTROL (M5, M13)																
20162905	PRIMARY LIMIT-YELLOW (M11, M12)																
0130F00008S	SINI IGNITOR																
B1141605	TRANSFORMER 120V TO 24V, 40 VA																

SPECIAL PARTS

HI-124	HOMEOWNERS INSTRUCTIONS
IO-341A	INSTALLATION INSTRUCTIONS (M1, M3, M7, M9, M11)

Cabinet

Image 1

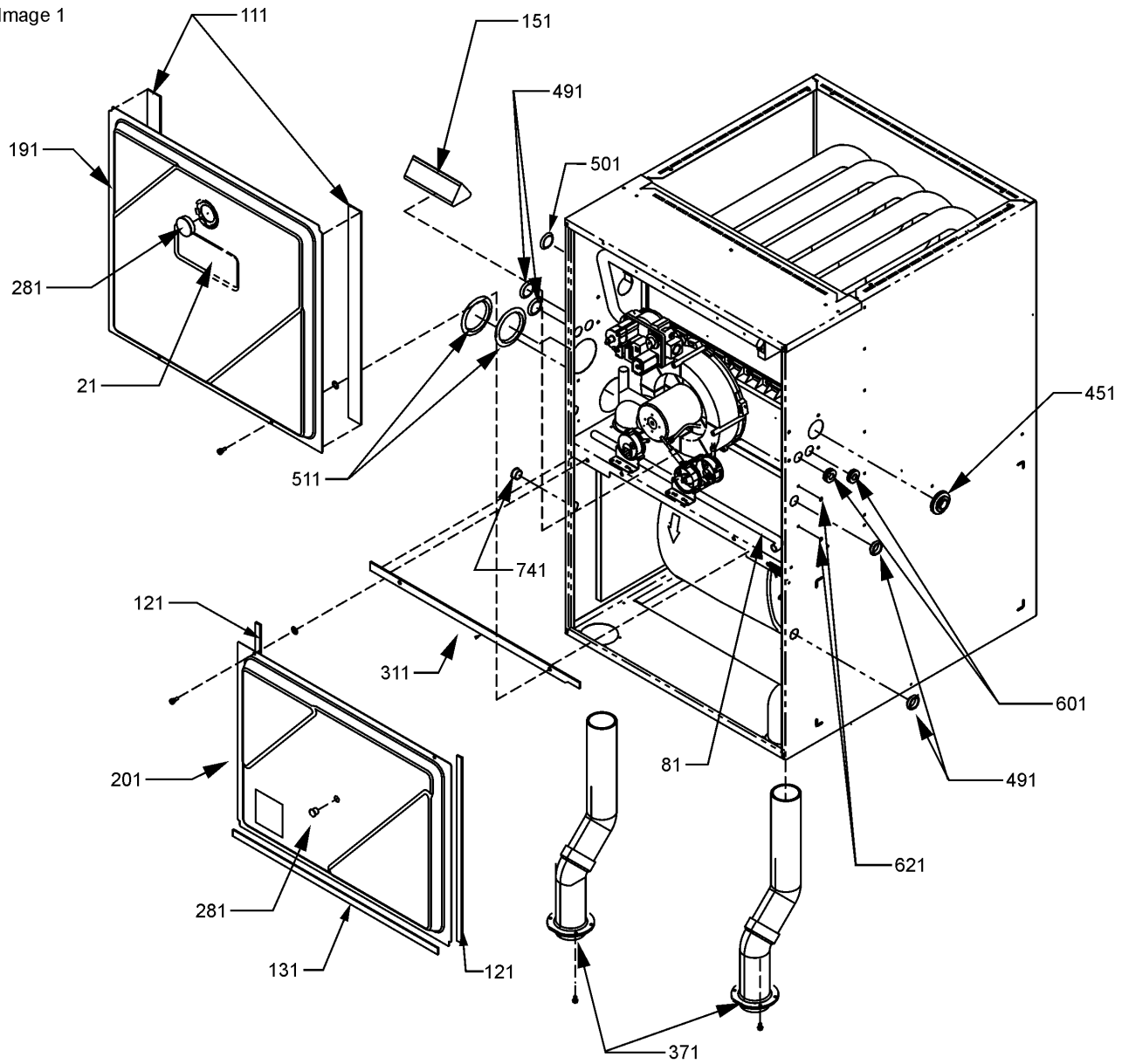
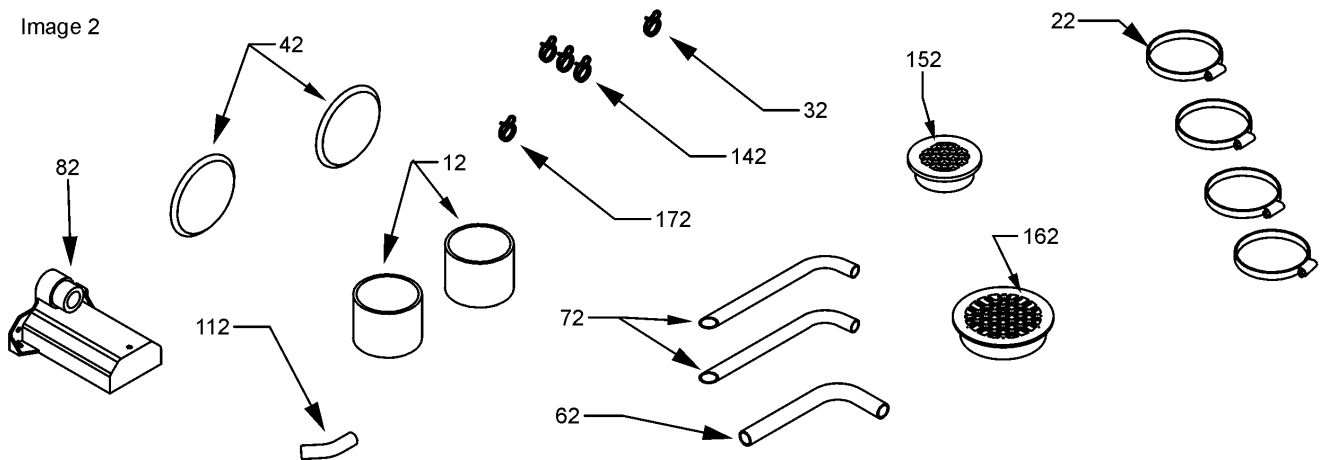


Image 2



Cabinet

**Ref. Part
No: No:**

Description:

**Ref. Part
No: No:**

Description:

Image 1:

21	0161M00003P	AMANA NAMEPLATE (M1, M2, M3, M4, M5, M6)
21	0161F00000P	GOODMAN NAMEPLATE (M7, M8, M9, M10, M11, M12, M13, M14)
81	20201902	DRAIN HOSE
111	20179308	GASKET (QTY 2)
121	20179311	GASKET (QTY 2)
131	20179312	GASKET (M1, M2, M5, M7, M8, M13)
131	20179313	GASKET (M3, M4, M6, M9, M10, M11, M12, M14)
151	10195518Q	STANDPIPE BAG ASSY
191	0121F00067LG	ACCESS DOOR (M1, M2, M5)
191	0121F00068LG	ACCESS DOOR (M3, M4, M6)
191	0121F00073DGS	ACCESS DOOR (M7, M8, M13)
191	0121F00074DGS	ACCESS DOOR (M9, M10, M11, M12, M14)
201	0121F00064LGS	BLOWER DOOR (M1, M2, M5)
201	0121F00065LGS	BLOWER DOOR (M3, M4, M6)
201	0121F00070DGS	BLOWER DOOR (M7, M8, M13)
201	0121F00071DGS	BLOWER DOOR (M9, M10, M11, M12, M14)
281	B1392139	VIEW PORT BUSHING-BLOWER DOOR (QTY 2)
311	22320002	DECK GASKET (M1, M2, M5, M7, M8, M13)
311	22320003	DECK GASKET (M3, M4, M6, M9, M10, M11, M12, M14)
371	22309502	FLUE PIPE (QTY 2)
451	M0501301	PIPE GROMMET
491	M0570808	BUTTON PLUG (QTY 4)
501	M0570806	BUTTON PLUG
511	M0570807	BUTTON PLUG (QTY 2)
601	A4691701	GROMMET (QTY 2)
621	M0310345	BUTTON PLUG (QTY 2)
741	B1392104	UNIVERSAL BUSHING UB 875

Expanded Model Nomenclature

M1 - ACVC90704CXAA
M2 - ACVC90704CXAB
M3 - ACVC90905DXAA
M4 - ACVC90905DXAB
M5 - ACVC950714CXAA
M6 - ACVC950915DXAA
M7 - GCVC90704CXAA
M8 - GCVC90704CXAB
M9 - GCVC90905DXAA
M10 - GCVC90905DXAB
M11 - GCVC91155DXAA
M12 - GCVC91155DXAB
M13 - GCVC950714CXAA
M14 - GCVC950915DXAA

Image 2:

12	10254303	RUBBER COUPLING (QTY 2)
22	0163M00049	HOSE CLAMP (QTY 4)
32	M0119207	HOSE CLAMP
42	M0570807	BUTTON PLUG (QTY 2)
62	20201901	DRAIN HOSE
72	20201802	DRAIN TUBE (QTY 2)
82	20171701	DRAIN TRAP
112	20214203	DRAIN ANGLE
142	M0119205	HOSE CLAMP (QTY 3)
152	B2810816	2" MESH INSERT
162	B2810814	3" MESH INSERT
172	M0119206	HOSE CLAMP

Blower Assembly

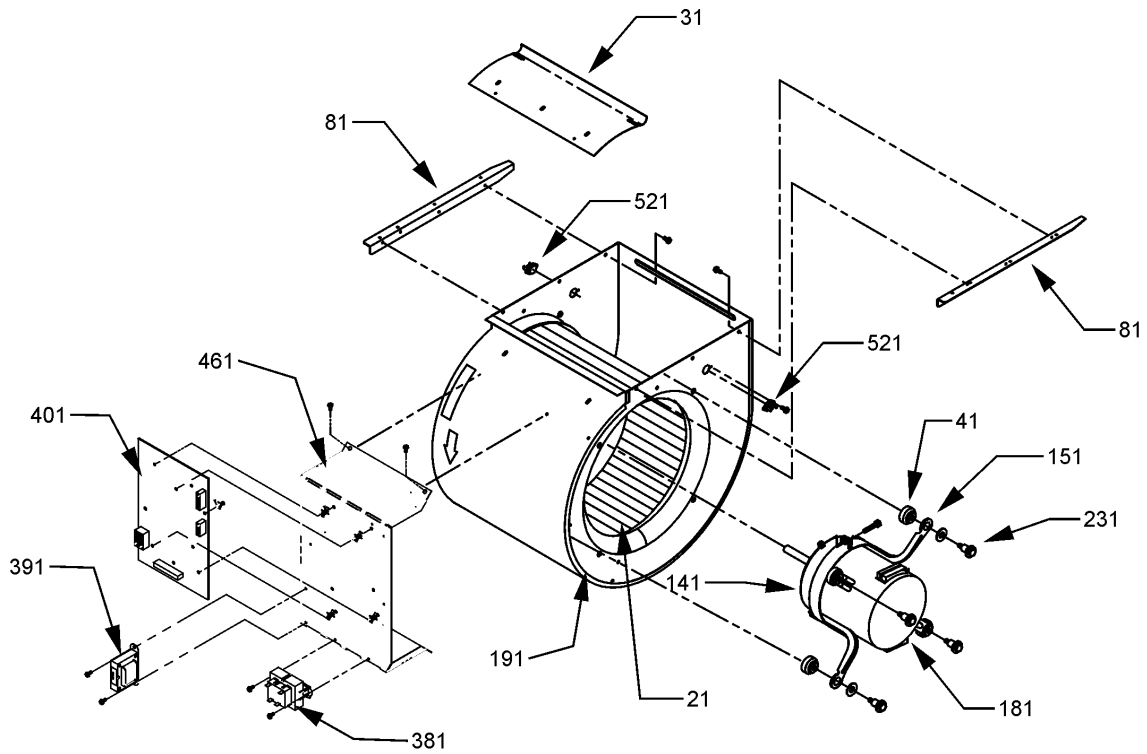
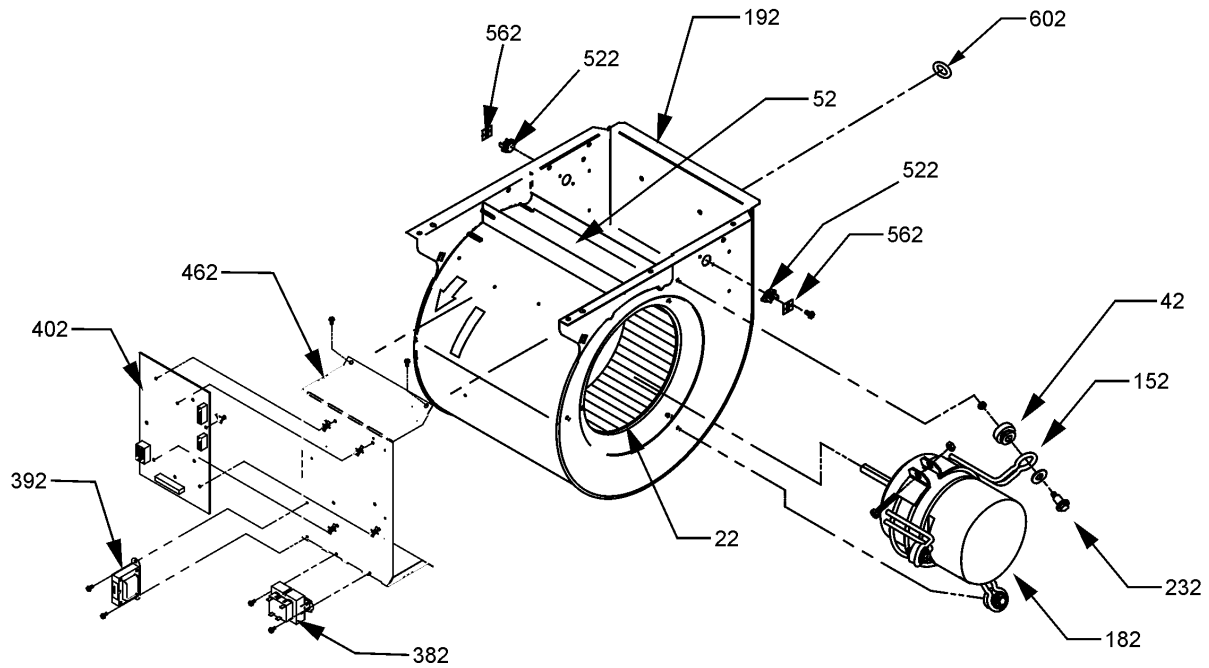


Image 1

Image 2



Blower Assembly

**Ref. Part
No: No:**

Description:

**Ref. Part
No: No:**

Description:

Image 1:

21	D6723311S	BLOWER WHEEL (M3, M4, M6, M9, M10, M11, M12, M14)
31	C6121807	BLOWER CUT-OFF (M3, M4, M6, M9, M10, M11, M12, M14)
41	A4002702	BLOWER MOTOR GROMMET (M3, M4, M6, M9, M10, M11, M12, M14)
81	20175101	BLOWER SIDE RAIL (M3, M4, M6, M9, M10, M11, M12, M14)
141	10441601	MOTOR MOUNT BAND (M3, M4, M6, M9, M10, M11, M12, M14)
151	10441501	MOTOR MOUNT ARM (M3, M4, M6, M9, M10, M11, M12, M14)
181	0131M00113S	MOTOR, 1 HP SERIAL ECM (M3, M4, M6, M9, M10, M11, M12, M14)
191	0271F00047	BLOWER HOUSING ASSY 11 X 10 (M3, M4, M6, M9, M10, M11, M12, M14)
231	M0221461	TC SCREW (M3, M4, M6, M9, M10, M11, M12, M14)
381	B1141605	TRANSFORMER 120V TO 24V, 40 VA
391	B1141666	INDUCTOR-5.9 AMP
401	PCBKF101S	PCB, CONTROL, FURNACE
461	0121F00094	CONTROL MOUNT PANEL
521	10123536	MANUAL RESET LIMIT 180°F (M3, M4, M9, M10, M11, M12)
521	0130F00038	PRIMARY LIMIT - LT BLUE 120° (M6, M14)
NS	0259F00040	CONTROL HARNESS
NS	0159F00012	HARNESS, WIRING
NS	0259F00041	POWER HARNESS
NS	0259F00024	WIRE HARNESS-BLOWER

Image 2:

22	B1368047A	BLOWER WHEEL 10 X 10 (M1, M2, M5, M7, M8, M13)
42	A4002702	BLOWER MOTOR GROMMET (M1, M2, M5, M7, M8, M13)
52	764741F	BLOWER BLOCK-OFF 10 X 10 (M1, M2, M5, M7, M8, M13)
152	C9443702	MOTOR MOUNT BRACKET (M1, M2, M5, M7, M8, M13)
182	0131M00112S	MOTOR, 3/4 HP SERIAL ECM (M1, M2, M5, M7, M8, M13)
192	0271F00004P	BLOWER HOUSING ASSY 10 X 10 (M1, M2, M5, M7, M8, M13)
232	M0221461	TC SCREW (M1, M2, M5, M7, M8, M13)
382	B1141605	TRANSFORMER 120V TO 24V, 40 VA
392	B1141666	INDUCTOR-5.9 AMP
402	PCBKF101S	PCB, CONTROL, FURNACE
462	0121F00094	CONTROL MOUNT PANEL
522	10123534	MANUAL RESET LIMIT 220°F (M1, M2, M7, M8)
522	0130F00038	PRIMARY LIMIT - LT BLUE 120° (M5, M13)
562	2509503F	AUXILIARY LIMIT BRACKET (M1, M2, M7, M8)
602	B1392021	PLASTIC PLUG, 1" (2713-BLK) (M1, M2, M5, M7, M8, M13)

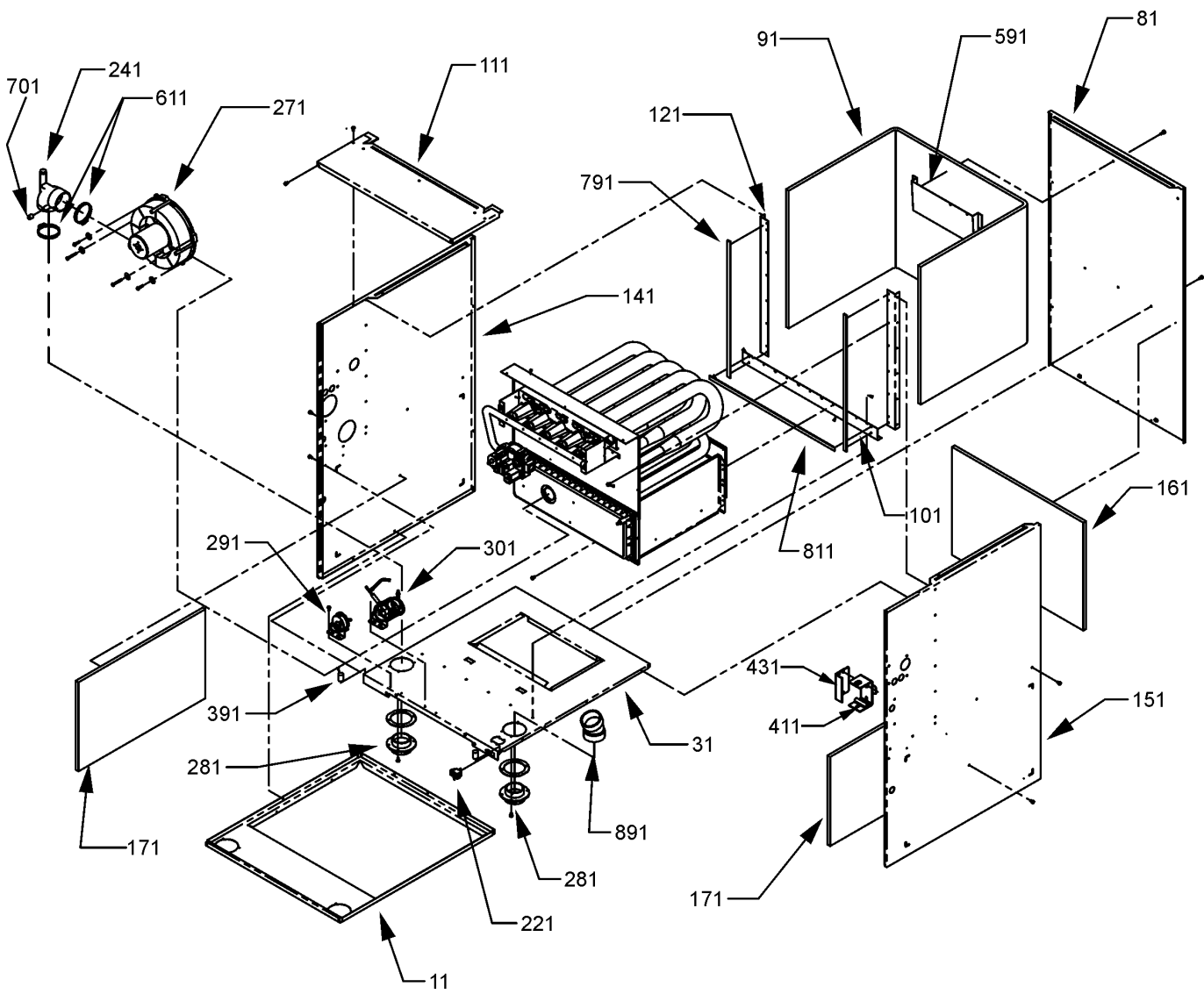
Image 2:

NS	0259F00040	CONTROL HARNESS
NS	0159F00012	HARNESS, WIRING
NS	0259F00041	POWER HARNESS
NS	0259F00024	WIRE HARNESS-BLOWER

Expanded Model Nomenclature

M1 - ACVC90704CXAA
M2 - ACVC90704CXAB
M3 - ACVC90905DXAA
M4 - ACVC90905DXAB
M5 - ACVC950714CXAA
M6 - ACVC950915DXAA
M7 - GCVC90704CXAA
M8 - GCVC90704CXAB
M9 - GCVC90905DXAA
M10 - GCVC90905DXAB
M11 - GCVC91155DXAA
M12 - GCVC91155DXAB
M13 - GCVC950714CXAA
M14 - GCVC950915DXAA

Chassis



Chassis

Ref. Part No:	No:	Description:	Ref. Part No:	No:	Description:
<i>Image 1:</i>			<i>Image 1:</i>		
11	20273510	BASE PAN (M1, M2, M5, M7, M8, M13)	NS	0164M00013	PRESSURE SWITCH HOSE (M3, M4, M6, M9, M10, M11, M12, M14)
11	20273512	BASE PAN (M3, M4, M6, M9, M10, M11, M12, M14)	Expanded Model Nomenclature M1 - ACVC90704CXAA M2 - ACVC90704CXAB M3 - ACVC90905DXAA M4 - ACVC90905DXAB M5 - ACVC950714CXAA M6 - ACVC950915DXAA M7 - GCVC90704CXAA M8 - GCVC90704CXAB M9 - GCVC90905DXAA M10 - GCVC90905DXAB M11 - GCVC91155DXAA M12 - GCVC91155DXAB M13 - GCVC950714CXAA M14 - GCVC950915DXAA		
31	0121F00046	BLOWER DECK (M1, M2, M5, M7, M8, M13)			
31	0121F00049	BLOWER DECK (M3, M4, M6, M9, M10, M11, M12, M14)			
81	20273216	BACK PANEL (M1, M2, M5, M7, M8, M13)			
81	20273218	BACK PANEL (M3, M4, M6, M9, M10, M11, M12, M14)			
91	C6415909	HEAT EXCHANGER INSULATION (M3, M4, M6, M9, M10, M11, M12, M14)			
91	C6415911	HEAT EXCHANGER INSULATION (M1, M2, M5, M7, M8, M13)			
101	0121F00019P	DECK RAIL (M1, M2, M5, M7, M8, M13)			
101	20191303	DECK RAIL (M3, M4, M6, M9, M10, M11, M12, M14)			
111	0270F00104PS	TOP COVER ASSY (M1, M2, M5, M7, M8, M13)			
111	0270F00105P	TOP COVER ASSY (M3, M4, M6, M9, M10, M11, M12, M14)			
121	20191603	SIDE RAIL (M1, M2, M5, M7, M8, M13)			
121	20191604	SIDE RAIL (M3, M4, M6, M9, M10, M11, M12, M14)			
141	0121F00093DG	SIDE PANEL LH			
151	0121F00091DG	SIDE PANEL RH			
161	20006602	INSULATION (M1, M2, M5, M7, M8, M13)			
161	20006603	INSULATION (M3, M4, M6, M9, M10, M11, M12, M14)			
171	20006604	SIDE INSULATION (QTY 2)			
221	B1370818	INTERLOCK SWITCH			
241	20171802S	ELBOW			
271	20245903S	ID BLOWER			
281	20049701	FA COUPLING (QTY 2)			
291	0130F00070	PRESSURE SWITCH (M5, M6, M13, M14)			
291	20197313	PRESSURE SWITCH-PINK (M1, M2, M3, M4, M7, M8, M9, M10, M11, M12)			
301	0130F00100	PRESSURE SWITCH (M5, M6, M13, M14)			
301	11177118	PRESURE SWITCH-LIME (M1, M2, M3, M4, M7, M8, M9, M10, M11, M12)			
391	M0275521	PLASTIC SEALER			
411	0161F00004S	JUNCTION BOX			
431	0161F00005S	JUNCTION BOX COVER			
591	11165107	ID BLOWER SHIELD			
611	0163M00049	HOSE CLAMP (QTY 2)			
701	M0326804	TUBE PLUG			
791	20194608	GASKET (QTY 2)			
811	20194606	GASKET (M1, M2, M5, M7, M8, M13)			
811	20194607	GASKET (M3, M4, M6, M9, M10, M11, M12, M14)			
891	C6455901	ELBOW - 22 1/2 ELL			
NS	0164M00003	PRESSURE SWITCH HOSE			
NS	0164M00011	PRESSURE SWITCH HOSE (M1, M2, M5, M7, M8, M13)			

Heat Exchanger / Manifold / Gas Valve

Ref. Part No:	Ref. Part No:	Description:	Description:
<i>Image 1:</i>		<i>Image 2:</i>	
11	0130F00008S	SINI IGNITOR	12 0259M00004 WIRE HARNESS, ADAPTOR (M2, M4, M5, M6, M8, M10, M12, M13, M14)
21	0151M00014	GAS VALVE - HONEYWELL 2-STAGE (M2, M4, M5, M6, M8, M10, M12, M13, M14)	Expanded Model Nomenclature <div style="border: 1px solid black; padding: 5px;"> M1 - ACVC90704CXAA M2 - ACVC90704CXAB M3 - ACVC90905DXAA M4 - ACVC90905DXAB M5 - ACVC950714CXAA M6 - ACVC950915DXAA M7 - GCVC90704CXAA M8 - GCVC90704CXAB M9 - GCVC90905DXAA M10 - GCVC90905DXAB M11 - GCVC91155DXAA M12 - GCVC91155DXAB M13 - GCVC950714CXAA M14 - GCVC950915DXAA </div>
21	0151F00000P	GAS VALVE - WHITE-RODGERS 2-STAGE (M1, M3, M7, M9, M11)	
31	10716003	ORIFICE (QTY AR)	
41	0130F00010	FLAME SENSOR	
51	0257F00197	HEAT EXCHANGER ASSY (M13)	
51	0257F00198	HEAT EXCHANGER ASSY (M14)	
51	0257F00201	HEAT EXCHANGER ASSY (M5)	
51	0257F00202	HEAT EXCHANGER ASSY (M6)	
51	0257F00157	HEAT EXCHANGER ASSY 3B (M1, M2)	
51	0257F00160	HEAT EXCHANGER ASSY 3B (M7, M8)	
51	0257F00154	HEAT EXCHANGER ASSY 4B (M3, M4)	
51	0257F00156	HEAT EXCHANGER ASSY 4B (M9, M10)	
51	0257F00162	HEAT EXCHANGER ASSY 5B (M11, M12)	
61	20196402	MANIFOLD - 3 BRNR (M1, M2, M5, M7, M8, M13)	
61	20196403	MANIFOLD - 4 BRNR (M3, M4, M6, M9, M10, M14)	
61	20196404	MANIFOLD - 5 BRNR (M11, M12)	
71	10735102S	BECKETT BURNER (QTY AR)	
91	20190411	BURNER BRACKET 3B (M1, M2, M5, M7, M8, M13)	
91	20190412	BURNER BRACKET 4B (M3, M4, M6, M9, M10, M14)	
91	20190413	BURNER BRACKET 5B (M11, M12)	
131	20170901AS	FRONT COVER (M1, M2, M7, M8)	
131	20170907A	FRONT COVER (M5, M13)	
131	20171001AS	FRONT COVER (M3, M4, M9, M10)	
131	20171004AS	FRONT COVER (M11, M12)	
131	20171006A	FRONT COVER (M6, M14)	
141	0154F00001P	COIL GASKET (M1, M2, M5, M7, M8, M13)	
141	0154F00002P	COIL GASKET (M3, M4, M6, M9, M10, M11, M12, M14)	
151	10123517	MANUAL RESET LIMIT (M3, M4, M5, M6, M9, M10, M11, M12, M13, M14)	
151	10123534	MANUAL RESET LIMIT 220°F (M1, M2, M7, M8)	
161	M0326804	TUBE PLUG	
231	A1781105	CAP-VINYL .500 (QTY 2)	
321	11072202	ORIFICE SHIELD (M1, M2, M5, M7, M8, M13)	
321	11072203	ORIFICE SHIELD (M3, M4, M6, M9, M10, M14)	
321	11072204	ORIFICE SHIELD (M11, M12)	
371	0130F00105	LIMIT SWITCH (M6, M14)	
371	20162903	PRIMARY LIMIT - BLUE (M1, M2, M7, M8)	
371	20162908	PRIMARY LIMIT - GREEN (M3, M4, M9, M10)	
371	20162904	PRIMARY LIMIT-TEMPERATURE CONTROL (M5, M13)	
371	20162905	PRIMARY LIMIT-YELLOW (M11, M12)	
381	10236702	FRAME-WINDOW FUR	

THIS PAGE INTENTIONALLY LEFT BLANK

Free Manuals Download Website

<http://myh66.com>

<http://usermanuals.us>

<http://www.somanuals.com>

<http://www.4manuals.cc>

<http://www.manual-lib.com>

<http://www.404manual.com>

<http://www.luxmanual.com>

<http://aubethermostatmanual.com>

Golf course search by state

<http://golfingnear.com>

Email search by domain

<http://emailbydomain.com>

Auto manuals search

<http://auto.somanuals.com>

TV manuals search

<http://tv.somanuals.com>