



Air Conditioning & Heating

# CPKF

## SPLIT SYSTEM HEAT PUMP

**50 Hz**

**2 TO 5 Ton**  
**[7.0 kW TO 17.56 kW]**

**NOMINAL CAPACITY**  
**24,000 TO 60,000 BTU/H**

### Standard Features

- Quiet operating top discharge
- Copper tube/aluminum fin coil
- Brass suction and liquid line shut-off valves with sweat connection
- Manual reset high-pressure control
- Automatic reset low-pressure control for loss-of-charge protection
- Totally enclosed, permanently lubricated condenser motor
- Ultra-quiet hermetically sealed compressor with internal high-pressure control
- Bi-flow liquid line filter drier
- Suction line accumulator
- Check flowrator expansion device
- Anti-cycling reversing valve circuit
- Crankcase heater (where indicated)
- Time-initiated, temperature-terminated defrost control
- Contactor with lug connections
- Ground lug connections
- CE Certified



### Cabinet Features

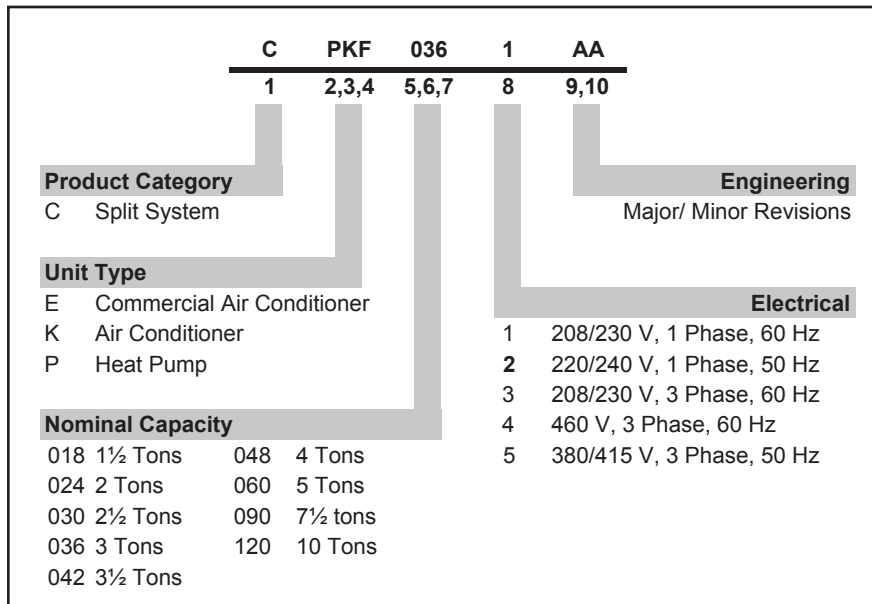
- Goodman® brand sound control design
- Heavy-gauge, galvanized-steel cabinet properly reinforced and braced
- Steel louver coil guard
- Attractive architectural gray powder-paint finish with 500-hour salt spray approval
- Removable access panels

### Accessories

- Room thermostat with 2-stage heat/1-stage cool and emergency heat, capability (HPT18-60)
- Automatic change-over room thermostat with 2-stage heat/1-stage cool and emergency heat capability (HPTA18-60)
- Digital Room Thermostat for 2-stage heat/1-stage cool (CTHP18-60HD)



# NOMENCLATURE



# PERFORMANCE RATINGS

MODEL #	COIL / AIR HANDLER	COOLING CAPACITY (BTU/H)				HEATING CAPACITY (BTU/H)					DBS
		TOTAL	SENSIBLE	EER <sup>1</sup>	kWI <sup>2</sup>	47°F	47°F COP	HSPF <sup>3</sup>	17°F	17°F COP	
CPKF36-2/5*	A36-00-2RA	33,000	24,100	9.0	3.67	32,000	2.9	7.2	17,400	2.00	78
	A48-00-2RA	35,000	25,900	9.0	3.89	32,000	3.0	7.5	19,000	2.30	78
CPKF48-5*	A48-00-2RA	48,000	34,600	9.0	5.33	48,000	3.3	8.2	29,600	2.30	78
CPKF60-5*	A60-00-2RA	53,000	36,600	9.0	5.89	54,000	3.2	8.0	35,400	2.10	80
CPKF61-5*	A60-00-2RA	57,000	38,800	9.0	6.33	61,000	3.0	8.0	37,800	2.20	80

<sup>1</sup> Energy Efficiency Ratio @ 80°F / 67°F / 95°F

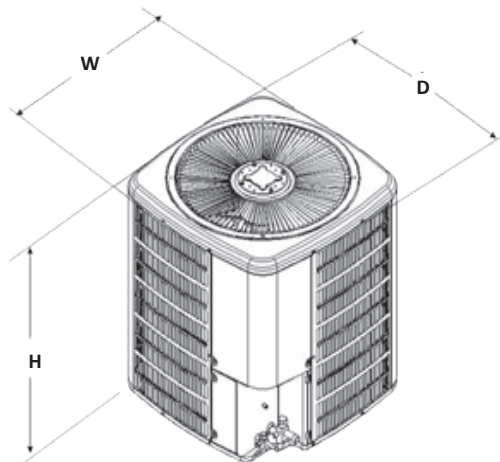
<sup>2</sup> kWI = Compressor + Indoor Blower + Outdoor Fan Watts

<sup>3</sup> HSPF = Heating Seasonal Performance Factor

**Note:** When mix-matching outdoor and indoor units, the indoor unit check-flowrator must match the outdoor unit size.

# DIMENSIONS

MODEL	WIDTH	DEPTH	HEIGHT
CPKF36-2/5*	26	26	32¼
CPKF48-5*	29	29	32¼
CPKF60-5*	29	29	38¼
CPKF61-5*	29	29	38¼



**SPECIFICATIONS**

	CPKF36-2*	CPKF36-5*	CPKF48-5*	CPKF60-5*	CPKF61-5*
<b>CAPACITIES</b>					
Nominal Cooling (BTU/h)	33,000	35,000	48,000	53,000	57,000
EER <sup>1</sup>	9.0	9.0	9.0	9.0	9.0
Nominal Heating (BTU/h)	32,000	32,000	48,000	54,000	61,000
Decibels	78	78	78	80	80
<b>COMPRESSOR</b>					
RLA	15.9	5.7	8.2	9.0	10.9
LRA	104	42	64	74	101
Volts	220-240	380-415	380-415	380-415	380-415
<b>CONDENSER FAN MOTOR</b>					
Horsepower	¼	½	½	½	½
FLA	0.9	1.2	1.2	1.2	1.2
Volts	220-240	380	380	380	380
<b>REFRIGERATION SYSTEM</b>					
Liquid Valve Size ("O.D.)	⅜"	⅜"	⅜"	⅜"	⅜"
Suction Valve Size ("O.D.)	¼"	¼"	⅝"	⅝"	⅝"
Valve Type	Sweat	Sweat	Sweat	Sweat	Sweat
Refrigerant Charge (oz.)	110	110	137	138	167
Shipped with Orifice Size (in.)	0.073	0.073	0.084	0.093	0.093
<b>CONDENSER FAN / COIL</b>					
Horsepower - RPM	¼ - 950	½ - 1,075	½ - 1,075	½ - 1,075	½ - 1,075
Fan Diameter/ # Fan Blades	20/3	20/3	22/3	22/3	22/3
Outdoor Nominal CFM	1,800	1,800	2,600	2,600	3,200
Face Area (ft <sup>2</sup> )	14.58	14.58	17	17	17
Rows Deep/ Fins per Inch	1/19	1/19	1/19	1/22	1/22
Fin Type	Ripple	Ripple	Ripple	Ripple	Ripple
Coil No. of Tubes	24	24	24	36	36
Coil Tube Diameter (in.)	0.375	0.375	0.375	0.375	0.375
<b>ELECTRICAL DATA</b>					
Voltage-Hz / Phase	220/240-50/1	380/415-50/3	380/415-50/3	380/415-50/3	380/415-50/3
Min. Circuit Ampacity <sup>2</sup>	20.8	8.3	11.5	12.5	14.8
Max. Overcurrent Protection (amps) <sup>3</sup>	35	15	15	20	25
Min / Max Volts	198/264	342/456	342/456	342/456	342/456
Power Supply Conduit Size	½ or ¾	½ or ¾	½ or ¾	½ or ¾	½ or ¾
<b>SHIP WEIGHT (LBS-[KG])</b>	206 [94]	206 [94]	216 [98]	248 [113]	249 [113]

<sup>1</sup> Energy Efficiency Ratio

<sup>2</sup> Wire size should be determined in accordance with National Electrical Codes. Extensive wire runs will require larger wire sizes.

<sup>3</sup> Must use time-delay fuses or HACR-type circuit breakers of the same size as noted.

**Note:** Always check the S&R plate for electrical data on the unit being installed.

# EXPANDED COOLING DATA — CPKF36-2M / ARUF036-00\*-2\*

IDB	AIRFLOW	OUTDOOR AMBIENT TEMPERATURE												ENTERING INDOOR WET BULB TEMPERATURE																				
		65°F				75°F				85°F				95°F				105°F				115°F				118°F				125°F				
		59	63	67	71	59	63	67	71	59	63	67	71	59	63	67	71	59	63	67	71	59	63	67	71	59	63	67	71	59	63	67	71	
70	1286	MBh	34.2	35.5	38.9	-	33.4	34.7	38.0	-	32.7	33.8	37.1	-	31.2	32.4	35.5	-	29.1	30.1	33.0	-	26.9	27.9	30.5	-	25.1	26.0	28.5	-	24.4	25.3	27.7	-
		S/T	0.71	0.59	0.41	-	0.74	0.62	0.43	-	0.76	0.63	0.44	-	0.79	0.66	0.46	-	0.84	0.70	0.49	-	0.85	0.71	0.49	-	0.9	0.7	0.5	-	0.88	0.73	0.51	-
		ΔT	17	15	11	-	18	15	12	-	18	15	12	-	17	15	11	-	17	15	11	-	16	14	11	-	15.6	13.5	10.2	-	15	13	10	-
	1151	kW	2.99	3.06	3.17	-	3.25	3.33	3.44	-	3.48	3.56	3.69	-	3.71	3.80	3.94	-	3.88	3.98	4.12	-	4.03	4.13	4.28	-	4.1	4.2	4.3	-	4.12	4.22	4.37	-
		Amps	15.4	15.8	16.3	-	16.6	17.0	17.5	-	18.0	18.4	19.0	-	19.2	19.7	20.3	-	20.4	20.9	21.6	-	21.6	22.2	22.9	-	22.4	23.0	23.7	-	22.8	23.3	24.1	-
		Hi PR	165	178	188	-	185	199	210	-	211	227	239	-	240	258	273	-	270	290	307	-	298	321	339	-	316.7	340.8	359.9	-	325	349	369	-
	Lo PR	59	63	69	-	62	66	73	-	65	69	75	-	68	73	79	-	71	76	83	-	74	79	86	-	75.1	79.9	87.3	-	76	80	88	-	
		MBh	33.7	34.9	38.3	-	32.9	34.1	37.4	-	32.2	33.3	36.5	-	30.8	31.9	35.0	-	28.6	29.7	32.5	-	26.5	27.4	30.1	-	24.8	25.7	28.1	-	24.0	24.9	27.3	-
		S/T	0.68	0.57	0.39	-	0.71	0.59	0.41	-	0.72	0.60	0.42	-	0.76	0.64	0.44	-	0.81	0.67	0.47	-	0.81	0.68	0.47	-	0.8	0.7	0.5	-	0.84	0.70	0.49	-
	1016	ΔT	18	16	12	-	19	16	12	-	19	16	12	-	19	16	12	-	18	16	12	-	17	15	11	-	16.4	14.2	10.8	-	16	14	11	-
		kW	2.97	3.04	3.15	-	3.23	3.30	3.42	-	3.46	3.54	3.66	-	3.69	3.78	3.91	-	3.86	3.95	4.10	-	4.01	4.10	4.25	-	4.1	4.2	4.3	-	4.09	4.19	4.34	-
		Amps	15.3	15.7	16.2	-	16.5	16.9	17.4	-	17.9	18.3	18.9	-	19.1	19.6	20.2	-	20.3	20.8	21.5	-	21.5	22.0	22.7	-	22.3	22.8	23.6	-	22.6	23.2	23.9	-
Hi PR	164	176	186	-	184	198	209	-	209	225	238	-	238	256	271	-	268	288	305	-	296	319	337	-	314.5	338.5	357.4	-	322	347	366	-		
	Lo PR	59	62	68	-	62	66	72	-	64	69	75	-	68	72	79	-	71	76	82	-	73	78	85	-	74.6	79.4	86.7	-	75	80	87	-	
	MBh	32.0	33.2	36.4	-	31.3	32.4	35.5	-	30.6	31.7	34.7	-	29.2	30.3	33.2	-	27.2	28.2	30.9	-	25.2	26.1	28.6	-	23.5	24.4	26.7	-	22.8	23.6	25.9	-	
S/T	0.65	0.54	0.38	-	0.68	0.56	0.39	-	0.69	0.58	0.40	-	0.73	0.61	0.42	-	0.77	0.65	0.45	-	0.78	0.65	0.45	-	0.8	0.7	0.5	-	0.80	0.67	0.46	-		
	ΔT	19	16	12	-	19	17	13	-	19	17	13	-	19	17	13	-	19	16	12	-	18	15	12	-	16.9	14.7	11.1	-	17	14	11	-	
	kW	2.92	2.99	3.09	-	3.17	3.25	3.36	-	3.39	3.47	3.60	-	3.62	3.71	3.84	-	3.79	3.88	4.02	-	3.93	4.03	4.17	-	4.0	4.1	4.2	-	4.01	4.11	4.26	-	
Amps	15.0	15.4	15.9	-	16.2	16.6	17.1	-	17.6	18.0	18.6	-	18.8	19.2	19.8	-	19.9	20.4	21.1	-	21.1	21.6	22.3	-	21.9	22.4	23.1	-	22.2	22.7	23.5	-		
	Hi PR	161	173	183	-	180	194	205	-	205	221	233	-	234	251	265	-	263	283	299	-	290	312	330	-	308.2	331.7	350.3	-	316	340	359	-	
	Lo PR	58	61	67	-	61	65	71	-	63	67	73	-	66	71	77	-	70	74	81	-	72	77	84	-	73	78	85	-	74	78	86	-	
75	1286	MBh	34.8	35.8	38.8	41.6	34.0	35.0	37.9	40.7	33.2	34.2	37.0	39.7	31.8	32.7	35.4	38.0	29.6	30.4	32.9	35.3	27.3	28.1	30.5	32.7	25.5	26.3	28.5	30.6	24.8	25.5	27.6	29.6
		S/T	0.81	0.72	0.55	0.4	0.84	0.75	0.57	0.4	0.86	0.77	0.58	0.4	0.90	0.81	0.61	0.4	0.96	0.86	0.65	0.4	0.97	0.87	0.65	0.4	1.0	0.9	0.7	0.4	1.00	0.89	0.67	0.4
		ΔT	20	19	15	10	20	19	15	11	20	19	15	11	21	19	15	11	20	19	15	11	19	17	14	9.8	18.0	16.6	13.6	9.4	18	16	13	9.2
	1151	kW	3.02	3.09	3.20	3.3	3.28	3.36	3.47	3.6	3.51	3.59	3.72	3.9	3.75	3.84	3.97	4.1	3.92	4.01	4.16	4.3	4.07	4.17	4.32	4.5	4.1	4.2	4.4	4.5	4.15	4.26	4.41	4.6
		Amps	15.5	15.9	16.4	17.0	16.8	17.1	17.7	18.4	18.2	18.6	19.2	19.9	19.4	19.9	20.5	21.3	20.6	21.1	21.8	22.6	21.8	22.4	23.1	24.0	22.6	23.2	23.9	24.9	23.0	23.5	24.3	25.2
		Hi PR	167	179	190	198	187	201	213	222	213	229	242	252	242	261	275	287	273	293	310	323	301	324	342	357	328	344	364	379	328	353	373	389
	Lo PR	60	64	69	74	63	67	73	78	66	70	76	81	69	73	80	85	72	77	84	89	75	79	87	92	76	81	88	94	76	81	89	95	
		MBh	34.3	35.3	38.2	41.0	33.5	34.5	37.3	40.1	32.7	33.7	36.5	39.1	31.3	32.2	34.9	37.4	29.1	30.0	32.4	34.8	26.9	27.7	30.0	32.2	25.2	25.9	28.1	30.1	24.4	25.1	27.2	29.2
		S/T	0.77	0.69	0.52	0.3	0.80	0.72	0.54	0.3	0.82	0.74	0.56	0.4	0.86	0.77	0.59	0.4	0.92	0.82	0.62	0.4	0.93	0.83	0.63	0.4	0.9	0.8	0.6	0.4	0.95	0.85	0.65	0.4
	1016	ΔT	21	20	16	11	21	20	16	11	21	20	16	11	22	20	16	11	21	20	16	11	20	18	15	10.4	19.0	17.5	14.3	9.9	19	17	14	9.7
		kW	3.00	3.07	3.18	3.3	3.26	3.33	3.45	3.6	3.49	3.57	3.70	3.8	3.72	3.81	3.95	4.1	3.89	3.99	4.13	4.3	4.04	4.14	4.29	4.4	4.1	4.2	4.4	4.5	4.13	4.23	4.38	4.5
		Amps	15.4	15.8	16.3	16.9	16.7	17.0	17.6	18.2	18.1	18.5	19.1	19.8	19.3	19.7	20.4	21.1	20.5	21.0	21.7	22.5	21.7	22.2	23.0	23.8	22.5	23.0	23.8	24.7	22.8	23.4	24.2	25.1
Hi PR	166	178	188	196	186	200	211	220	211	227	240	250	241	259	274	285	271	291	308	321	299	322	340	355	318	342	361	377	326	350	370	386		
	Lo PR	59	63	69	73	63	67	73	78	65	69	76	81	68	73	79	85	72	76	83	89	74	79	86	92	75	80	88	93	76	81	88	94	
	MBh	32.6	33.5	36.3	39.0	31.8	32.8	35.5	38.1	31.1	32.0	34.6	37.2	29.7	30.6	33.1	35.6	27.7	28.5	30.8	33.1	25.6	26.3	28.5	30.6	23.2	23.9	26.7	28.6	23.2	23.9	25.9	27.7	
S/T	0.74	0.66	0.50	0.3	0.77	0.69	0.52	0.3	0.79	0.70	0.53	0.3	0.83	0.74	0.56	0.4	0.88	0.79	0.59	0.4	0.89	0.79	0.60	0.4	0.9	0.8	0.6	0.4	0.91	0.82	0.62	0.4		
	ΔT	22	20	16	11	22	20	17	12	22	20	17	12	22	21	17	12	22	20	17	11	21	19	15	10.7	19.6	18.0	14.8	10.2	19	18	14	10.0	
	kW	2.94	3.01	3.12	3.2	3.20	3.28	3.39	3.5	3.42	3.51	3.63	3.8	3.66	3.74	3.88	4.0	3.82	3.92	4.06	4.2	3.97	4.07	4.21	4.4	4.0	4.1	4.3	4.4	4.05	4.15	4.30	4.5	
Amps	15.2	15.5	16.0	16.6	16.4	16.7	17.3	17.9	17.7	18.2	18.7	19.4	18.9	19.4	20.0	20.8	20.1	20.6	21.3	22.1	21.3	21.8	22.5	23.4	22.1	22.6	23.4	24.2	22.4	22.9	23.7	24.6		
	Hi PR	162	175	184	192	182	196	207	216	207	223	235	245	236	254	268	280	265	286	302	315	293	316	333	348	311	335	354	369	319	343	363	378	
	Lo PR	58	62	68	72	61	65	71	76	64	68	74	79	67	71	78	83	70	75	82	87	73	77	84	90	74	79	86	91	74	79	86	92	

IDB: Entering indoor Dry Bulb Temperature  
 High and low pressures are measured at the liquid and suction service valves.  
 Shaded area reflects ACCA (TVA) conditions  
 kW = Total system power  
 Amps = outdoor unit amps (comp.+fan)

EXPANDED COOLING DATA — CPKF36-2M / ARUF036-00\*-2\* (CONT.)

IDB	AIRFLOW	OUTDOOR AMBIENT TEMPERATURE												ENTERING INDOOR WET BULB TEMPERATURE																			
		65°F				75°F				85°F				95°F				105°F				115°F				118°F				125°F			
		59	63	67	71	59	63	67	71	59	63	67	71	59	63	67	71	59	63	67	71	59	63	67	71	59	63	67	71	59	63	67	71
80	MBh	35.4	36.2	38.7	41.3	34.6	35.4	37.8	40.4	33.8	34.5	36.9	39.4	32.3	33.0	35.3	37.7	30.1	30.7	32.8	35.1	27.8	28.4	30.4	32.5	26.0	26.6	28.4	30.3	25.2	25.8	27.5	29.4
	S/T	0.89	0.83	0.68	0.5	0.92	0.86	0.70	0.5	0.94	0.88	0.72	0.5	1.00	0.93	0.76	0.6	1.00	0.98	0.80	0.6	1.00	1.00	0.81	0.6	1.0	1.0	0.8	0.6	1.00	1.00	0.83	0.6
	ΔT	22	22	19	15	23	22	19	15	23	22	19	15	23	22	19	15	21	22	19	15	20	20	18	14.0	18.6	19.0	16.8	13.4	18	18	16	13.1
	kW	3.04	3.12	3.22	3.3	3.31	3.39	3.51	3.6	3.54	3.63	3.76	3.9	3.78	3.87	4.01	4.2	3.96	4.05	4.20	4.4	4.11	4.21	4.36	4.5	4.2	4.3	4.4	4.6	4.19	4.29	4.45	4.6
	Amps	15.7	16.0	16.5	17.1	16.9	17.3	17.9	18.5	18.3	18.8	19.4	20.1	19.6	20.0	20.7	21.5	20.8	21.3	22.0	22.8	22.0	22.6	23.3	24.2	22.8	23.4	24.2	25.1	23.2	23.7	24.5	25.5
	Hi PR	168	181	191	200	189	203	215	224	215	231	244	255	245	263	278	290	275	296	313	326	304	328	346	361	323	348	367	383	331	356	376	393
	Lo PR	60	64	70	75	64	68	74	79	66	71	77	82	70	74	81	86	73	78	85	90	75	80	88	93	77	82	89	95	77	82	90	95
	MBh	34.9	35.7	38.1	40.7	34.1	34.8	37.2	39.8	33.3	34.0	36.4	38.9	31.9	32.6	34.8	37.2	29.6	30.3	32.4	34.6	27.4	28.0	29.9	32.0	25.6	26.2	28.0	29.9	24.9	25.4	27.1	29.0
	S/T	0.85	0.80	0.65	0.5	0.88	0.82	0.67	0.5	0.90	0.85	0.69	0.5	0.95	0.89	0.72	0.5	1.00	0.94	0.77	0.6	1.00	0.95	0.78	0.6	1.0	1.0	0.8	0.6	1.00	0.98	0.80	0.6
	ΔT	24	23	20	16	24	23	20	16	24	23	20	16	24	23	20	16	24	23	20	16	22	21	19	14.8	20.5	20.3	17.7	14.1	20	20	17	13.8
kW	3.02	3.10	3.20	3.3	3.29	3.37	3.48	3.6	3.52	3.60	3.73	3.9	3.76	3.85	3.99	4.1	3.93	4.03	4.17	4.3	4.08	4.18	4.33	4.5	4.1	4.2	4.4	4.6	4.17	4.27	4.42	4.6	
Amps	15.6	15.9	16.4	17.0	16.8	17.2	17.8	18.4	18.2	18.7	19.3	20.0	19.4	19.9	20.6	21.3	20.7	21.2	21.9	22.7	21.9	22.4	23.2	24.0	22.7	23.2	24.0	24.9	23.0	23.6	24.4	25.3	
Hi PR	167	180	190	198	188	202	213	222	213	230	243	253	243	262	276	288	274	294	311	324	302	325	343	358	321	345	365	380	329	354	374	390	
Lo PR	60	64	70	74	63	67	74	78	66	70	76	81	69	74	80	86	72	77	84	90	75	80	87	93	76	81	88	94	77	82	89	95	
MBh	33.1	33.9	36.2	38.7	32.4	33.1	35.4	37.8	31.6	32.3	34.5	36.9	30.3	30.9	33.0	35.3	28.2	28.8	30.7	32.9	26.0	26.6	28.4	30.4	24.3	24.9	26.6	28.4	23.6	24.1	25.8	27.6	
S/T	0.81	0.76	0.62	0.5	0.84	0.79	0.64	0.5	0.86	0.81	0.66	0.5	0.91	0.85	0.69	0.5	0.96	0.90	0.74	0.5	0.97	0.91	0.74	0.6	1.0	0.9	0.8	0.6	1.00	0.94	0.76	0.6	
ΔT	24	23	20	16	25	24	21	16	25	24	21	16	25	24	21	17	25	24	20	16	23	22	19	15.3	21.9	21.0	18.2	14.6	21	21	18	14.3	
kW	2.97	3.04	3.15	3.3	3.23	3.30	3.42	3.5	3.46	3.54	3.66	3.8	3.69	3.78	3.91	4.1	3.86	3.95	4.10	4.2	4.01	4.10	4.25	4.4	4.1	4.2	4.3	4.5	4.09	4.19	4.34	4.5	
Amps	15.3	15.7	16.2	16.7	16.5	16.9	17.4	18.1	17.9	18.3	18.9	19.6	19.1	19.6	20.2	20.9	20.3	20.8	21.5	22.3	21.5	22.0	22.7	23.6	22.3	22.8	23.6	24.5	22.6	23.2	23.9	24.8	
Hi PR	164	176	186	194	184	198	209	218	209	225	238	248	238	256	271	282	268	288	305	318	296	319	337	351	315	338	357	373	322	347	366	382	
Lo PR	59	62	68	73	62	66	72	77	64	69	75	80	68	72	79	84	71	76	82	88	73	78	85	91	75	79	87	92	75	80	87	93	
85	MBh	36.0	36.7	38.5	41.0	35.2	35.9	37.6	40.1	34.4	35.1	36.7	39.2	32.9	33.5	35.1	37.5	30.6	31.2	32.7	34.9	28.3	28.8	30.2	32.2	26.5	27.0	28.2	30.1	25.7	26.2	27.4	29.2
	S/T	0.93	0.90	0.81	0.7	0.96	0.93	0.84	0.7	0.99	0.95	0.86	0.7	1.00	1.00	0.90	0.7	1.00	1.00	0.96	0.8	1.00	1.00	0.97	0.8	1.0	1.0	1.0	0.8	1.00	1.00	1.00	0.8
	ΔT	24	24	22	19	24	24	23	19	24	24	23	19	24	24	23	20	22	22	22	19	20	21	21	18.1	18.9	19.3	19.9	17.3	18	19	20	16.9
	kW	3.07	3.14	3.25	3.4	3.34	3.42	3.54	3.7	3.57	3.66	3.79	3.9	3.82	3.91	4.05	4.2	3.99	4.09	4.24	4.4	4.14	4.25	4.40	4.6	4.2	4.3	4.5	4.6	4.23	4.33	4.49	4.7
	Amps	15.8	16.2	16.7	17.3	17.1	17.5	18.0	18.7	18.5	18.9	19.6	20.3	19.7	20.2	20.9	21.7	21.0	21.5	22.2	23.1	22.2	22.8	23.5	24.4	23.0	23.6	24.4	25.3	23.4	24.0	24.8	25.7
	Hi PR	170	183	193	202	191	205	217	226	217	234	247	257	247	266	281	293	278	299	316	330	307	331	349	364	326	351	371	387	335	360	380	397
	Lo PR	61	65	71	75	64	69	75	80	67	71	78	83	70	75	82	87	74	78	86	91	76	81	89	94	77	82	90	96	78	83	91	96
	MBh	35.5	36.2	37.9	40.4	34.7	35.4	37.0	39.5	33.9	34.5	36.2	38.6	32.4	33.0	34.6	36.9	30.2	30.7	32.2	34.3	27.9	28.4	29.8	31.8	26.1	26.6	27.8	29.7	25.3	25.8	27.0	28.8
	S/T	0.89	0.86	0.78	0.6	0.92	0.89	0.80	0.7	0.94	0.91	0.82	0.7	0.99	0.96	0.87	0.7	1.00	1.00	0.92	0.7	1.00	1.00	0.93	0.8	1.0	1.0	1.0	0.8	1.00	1.00	0.95	0.8
	ΔT	25	25	23	20	26	25	24	21	26	25	24	21	26	25	24	21	24	25	24	20	22	23	22	19.1	20.8	21.2	21.0	18.2	20	21	21	17.8
kW	3.05	3.12	3.23	3.3	3.32	3.40	3.52	3.6	3.55	3.64	3.77	3.9	3.79	3.88	4.02	4.2	3.97	4.06	4.21	4.4	4.12	4.22	4.37	4.5	4.2	4.3	4.4	4.6	4.20	4.31	4.46	4.6	
Amps	15.7	16.1	16.6	17.2	16.9	17.3	17.9	18.6	18.4	18.8	19.4	20.2	19.6	20.1	20.8	21.5	20.9	21.4	22.1	22.9	22.1	22.6	23.4	24.3	22.9	23.5	24.2	25.2	23.2	23.8	24.6	25.5	
Hi PR	169	182	192	200	190	204	215	225	216	232	245	256	246	264	279	291	276	297	314	327	305	328	347	362	324	349	368	384	332	358	378	394	
Lo PR	61	64	70	75	64	68	74	79	66	71	77	82	70	74	81	86	73	78	85	91	76	81	88	94	77	82	89	95	77	82	90	96	
MBh	33.7	34.4	36.0	38.4	33.0	33.6	35.2	37.5	32.2	32.8	34.4	36.7	30.8	31.4	32.9	35.1	28.6	29.2	30.6	32.6	26.5	27.0	28.3	30.2	24.8	25.2	26.4	28.2	24.0	24.5	25.6	27.4	
S/T	0.85	0.82	0.74	0.6	0.88	0.85	0.77	0.6	0.91	0.87	0.79	0.6	0.95	0.92	0.83	0.7	1.00	0.97	0.88	0.7	1.00	0.98	0.89	0.7	1.0	1.0	1.0	0.7	1.00	1.00	0.91	0.7	
ΔT	26	26	24	21	26	26	24	21	26	26	25	21	26	26	25	21	26	26	24	21	24	24	23	19.7	22.4	22.7	21.7	18.8	22	22	21	18.4	
kW	3.00	3.07	3.18	3.3	3.26	3.33	3.45	3.6	3.49	3.57	3.70	3.8	3.72	3.81	3.95	4.1	3.89	3.99	4.13	4.3	4.04	4.14	4.29	4.4	4.1	4.2	4.4	4.5	4.13	4.23	4.38	4.5	
Amps	15.4	15.8	16.3	16.9	16.6	17.0	17.6	18.2	18.1	18.5	19.1	19.8	19.3	19.7	20.4	21.1	20.5	21.0	21.7	22.5	21.7	22.2	22.9	23.8	22.5	23.0	23.8	24.7	22.8	23.4	24.1	25.1	
Hi PR	166	178	188	196	186	200	211	220	211	227	240	250	241	259	273	285	271	291	308	321	299	322	340	355	318	342	361	377	326	350	370	386	
Lo PR	59</																																

EXPANDED COOLING DATA — CPKF36-5M & ARUF048-00\*-2\*

IDB	AIRFLOW	OUTDOOR AMBIENT TEMPERATURE												ENTERING INDOOR WET BULB TEMPERATURE																																							
		65°F				75°F				85°F				95°F				105°F				115°F				118°F				125°F																							
		59	63	67	71	59	63	67	71	59	63	67	71	59	63	67	71	59	63	67	71	59	63	67	71	59	63	67	71	59	63	67	71	59	63	67	71																
70	MBh	33.7	34.9	38.3	-	32.9	34.1	37.4	-	32.1	33.3	36.5	-	31.3	32.5	35.6	-	29.8	30.9	33.8	-	27.6	28.6	31.3	-	25.8	26.8	29.3	-	25.1	26.0	28.5	-	25.1	26.0	28.5	-	25.1	26.0	28.5	-	25.1	26.0	28.5	-	25.1	26.0	28.5	-	25.1	26.0	28.5	-
	S/T	0.74	0.62	0.43	-	0.77	0.64	0.44	-	0.79	0.66	0.46	-	0.81	0.68	0.47	-	0.84	0.70	0.49	-	0.85	0.71	0.49	-	0.9	0.7	0.5	-	0.88	0.74	0.51	-	0.88	0.74	0.51	-	0.88	0.74	0.51	-	0.88	0.74	0.51	-	0.88	0.74	0.51	-	0.88	0.74	0.51	-
	ΔT	18	15	12	-	18	16	12	-	18	16	12	-	18	16	12	-	18	15	12	-	17	14	11	-	16.0	13.9	10.5	-	16	14	10	-	16	14	10	-	16	14	10	-	16	14	10	-	16	14	10	-	16	14	10	-
	kW	2.70	2.76	2.85	-	3.07	3.14	3.24	-	3.38	3.45	3.57	-	3.69	3.78	3.90	-	3.98	4.07	4.21	-	4.24	4.34	4.49	-	4.5	4.6	4.7	-	4.57	4.68	4.84	-	4.57	4.68	4.84	-	4.57	4.68	4.84	-	4.57	4.68	4.84	-	4.57	4.68	4.84	-				
	Amps	5.7	5.9	6.0	-	6.1	6.2	6.4	-	6.5	6.7	6.8	-	6.9	7.0	7.2	-	7.2	7.4	7.6	-	7.6	7.8	8.0	-	7.8	8.0	8.2	-	7.9	8.1	8.3	-	7.9	8.1	8.3	-	7.9	8.1	8.3	-	7.9	8.1	8.3	-	7.9	8.1	8.3	-	7.9	8.1	8.3	-
	Hi PR	170	183	193	-	190	205	216	-	217	233	246	-	247	265	280	-	277	299	315	-	307	330	348	-	325.6	350.3	370.0	-	334	359	379	-	334	359	379	-	334	359	379	-	334	359	379	-	334	359	379	-	334	359	379	-
	Lo PR	60	63	69	-	63	67	73	-	66	70	76	-	69	73	80	-	72	77	84	-	75	79	87	-	75.8	80.6	88.0	-	76	81	89	-	76	81	89	-	76	81	89	-	76	81	89	-	76	81	89	-	76	81	89	-
	MBh	33.2	34.4	37.7	-	32.4	33.6	36.8	-	31.6	32.8	35.9	-	30.9	32.0	35.1	-	29.3	30.4	33.3	-	27.2	28.2	30.9	-	25.4	26.4	28.9	-	24.7	25.6	28.0	-	24.7	25.6	28.0	-	24.7	25.6	28.0	-	24.7	25.6	28.0	-	24.7	25.6	28.0	-				
	S/T	0.71	0.59	0.41	-	0.73	0.61	0.43	-	0.75	0.63	0.44	-	0.78	0.65	0.45	-	0.81	0.67	0.47	-	0.81	0.68	0.47	-	0.8	0.7	0.5	-	0.85	0.71	0.49	-	0.85	0.71	0.49	-	0.85	0.71	0.49	-	0.85	0.71	0.49	-	0.85	0.71	0.49	-				
	ΔT	19	16	12	-	19	16	12	-	19	16	12	-	19	17	13	-	19	16	12	-	18	15	12	-	16.9	14.6	11.1	-	17	14	11	-	17	14	11	-	17	14	11	-	17	14	11	-	17	14	11	-				
kW	2.69	2.75	2.83	-	3.05	3.12	3.22	-	3.36	3.43	3.55	-	3.67	3.75	3.88	-	3.95	4.04	4.18	-	4.21	4.31	4.46	-	4.4	4.5	4.7	-	4.54	4.65	4.81	-	4.54	4.65	4.81	-	4.54	4.65	4.81	-	4.54	4.65	4.81	-	4.54	4.65	4.81	-					
Amps	5.7	5.8	6.0	-	6.1	6.2	6.4	-	6.5	6.6	6.8	-	6.9	7.0	7.2	-	7.2	7.4	7.6	-	7.6	7.7	7.9	-	7.8	8.0	8.2	-	7.9	8.1	8.3	-	7.9	8.1	8.3	-	7.9	8.1	8.3	-	7.9	8.1	8.3	-	7.9	8.1	8.3	-					
Hi PR	169	181	191	-	189	203	215	-	215	231	244	-	245	264	278	-	276	297	313	-	304	328	346	-	323.3	347.9	367.4	-	331	357	377	-	331	357	377	-	331	357	377	-	331	357	377	-	331	357	377	-					
Lo PR	59	63	69	-	63	67	73	-	65	69	76	-	68	73	79	-	72	76	83	-	74	79	86	-	75.3	80.1	87.4	-	76	81	88	-	76	81	88	-	76	81	88	-	76	81	88	-	76	81	88	-					
MBh	31.5	32.7	35.8	-	30.8	31.9	35.0	-	30.1	31.2	34.1	-	29.3	30.4	33.3	-	27.9	28.9	31.6	-	25.8	26.8	29.3	-	24.2	25.0	27.4	-	23.5	24.3	26.6	-	23.5	24.3	26.6	-	23.5	24.3	26.6	-	23.5	24.3	26.6	-									
S/T	0.68	0.57	0.39	-	0.70	0.59	0.41	-	0.72	0.60	0.42	-	0.75	0.62	0.43	-	0.77	0.65	0.45	-	0.78	0.65	0.45	-	0.8	0.7	0.5	-	0.81	0.68	0.47	-	0.81	0.68	0.47	-	0.81	0.68	0.47	-	0.81	0.68	0.47	-									
ΔT	19	17	13	-	20	17	13	-	20	17	13	-	20	17	13	-	19	17	13	-	18	16	12	-	17.4	15.1	11.4	-	17	15	11	-	17	15	11	-	17	15	11	-	17	15	11	-									
kW	2.65	2.70	2.79	-	3.00	3.07	3.17	-	3.30	3.38	3.49	-	3.61	3.69	3.81	-	3.89	3.97	4.11	-	4.14	4.24	4.38	-	4.4	4.5	4.6	-	4.46	4.57	4.72	-	4.46	4.57	4.72	-	4.46	4.57	4.72	-	4.46	4.57	4.72	-									
Amps	5.6	5.7	5.9	-	6.0	6.1	6.3	-	6.4	6.5	6.7	-	6.7	6.9	7.1	-	7.1	7.2	7.4	-	7.4	7.6	7.8	-	7.7	7.8	8.1	-	7.8	7.9	8.2	-	7.8	7.9	8.2	-	7.8	7.9	8.2	-	7.8	7.9	8.2	-									
Hi PR	165	178	188	-	185	199	211	-	211	227	239	-	240	258	273	-	270	291	307	-	298	321	339	-	316.8	341.0	360.0	-	325	349	369	-	325	349	369	-	325	349	369	-	325	349	369	-									
Lo PR	58	62	67	-	61	65	71	-	64	68	74	-	67	71	78	-	70	75	82	-	73	77	84	-	74	78	86	-	74	79	86	-	74	79	86	-	74	79	86	-	74	79	86	-									
75	MBh	34.2	35.2	38.1	40.97	33.4	34.4	37.2	40.02	32.6	33.6	36.4	39.07	31.8	32.8	35.5	38.12	30.2	31.1	33.7	36.21	28.0	28.7	31.2	33.54	26.2	27.0	29.4	31.41	25.4	26.2	28.5	30.49	25.4	26.2	28.5	30.49	25.4	26.2	28.5	30.49	25.4	26.2	28.5	30.49								
	S/T	0.84	0.75	0.57	0.37	0.87	0.78	0.59	0.38	0.89	0.80	0.61	0.39	0.92	0.83	0.63	0.40	0.96	0.86	0.65	0.42	0.97	0.86	0.65	0.42	0.99	0.89	0.67	0.43	1.00	0.90	0.68	0.44	1.00	0.90	0.68	0.44	1.00	0.90	0.68	0.44												
	ΔT	21	19	15	11	21	19	16	11	21	19	16	11	21	19	16	11	21	19	16	11	21	19	16	11	20	18	14	10	18	17	14	9	18	17	14	9																
	kW	2.73	2.78	2.87	2.96	3.10	3.16	3.27	3.38	3.41	3.48	3.60	3.72	3.72	3.81	3.94	4.07	4.01	4.10	4.24	4.39	4.28	4.38	4.53	4.69	4.51	4.62	4.78	4.95	4.61	4.72	4.88	5.06	4.61	4.72	4.88	5.06																
	Amps	5.8	5.9	6.0	6.2	6.2	6.3	6.4	6.6	6.6	6.7	6.9	7.1	6.9	7.1	7.3	7.5	7.3	7.5	7.7	7.9	7.7	7.8	8.0	8.3	7.9	8.1	8.3	8.6	8.0	8.2	8.4	8.7	8.0	8.2	8.4	8.7																
	Hi PR	171	184	195	203	192	207	219	228	219	235	249	259	249	268	283	295	280	302	319	332	310	333	352	367	329	354	374	390	337	363	383	400	337	363	383	400																
	Lo PR	60	64	70	75	64	68	74	79	66	70	77	82	70	74	81	86	73	78	85	90	75	80	88	93	77	81	89	95	77	81	89	95	77	81	89	95																
	MBh	33.8	34.7	37.6	40.4	33.0	33.9	36.7	39.4	32.2	33.1	35.9	38.5	31.4	32.3	35.0	37.6	29.8	30.7	33.2	35.7	27.6	28.4	30.8	33.0	25.9	26.6	28.8	30.9	25.1	25.9	28.0	30.0	25.1	25.9	28.0	30.0																
	S/T	0.81	0.72	0.55	0.35	0.84	0.75	0.57	0.36	0.86	0.77	0.58	0.37	0.88	0.79	0.60	0.39	0.92	0.82	0.62	0.40	0.93	0.83	0.63	0.40	0.95	0.85	0.64	0.41	0.96	0.86	0.65	0.42	0.96	0.86	0.65	0.42																
	ΔT	22	20	16	11	22	20	17	11	22	20	17	11	22	20	17	11	22	20	16	11	22	20	16	11	20	18	15	10	19	18	14	10	19	18	14	10																
kW	2.71	2.77	2.86	2.95	3.08	3.15	3.25	3.36	3.39	3.46	3.58	3.70	3.70	3.79	3.91	4.05	3.99	4.08	4.22	4.36	4.25	4.35	4.50	4.66	4.48	4.59	4.75	4.91	4.58	4.69	4.85	5.02	4.58	4.69	4.85	5.02																	
Amps	5.8	5.9	6.0	6.2	6.1	6.2	6.4	6.6	6.5	6.7	6.8	7.1	6.9	7.0	7.2	7.5																																					



EXPANDED COOLING DATA — CPKF36-5M & ARUF048-00\*-2\* (CONT.)

IDB	OUTDOOR AMBIENT TEMPERATURE																																							
	65°F					75°F					85°F					95°F					105°F					115°F					118°F					125°F				
	59	63	67	71	75	59	63	67	71	75	59	63	67	71	75	59	63	67	71	75	59	63	67	71	75	59	63	67	71	75	59	63	67	71	75	59	63	67	71	75
80	ENTERING INDOOR WET BULB TEMPERATURE																																							
	MBH	34.87	35.63	38.06	40.69	34.05	34.80	37.18	39.74	33.24	33.97	36.29	38.80	32.43	33.14	35.41	37.85	30.81	31.48	33.64	35.96	28.54	29.16	31.16	33.31	26.72	27.31	29.18	31.19	25.95	26.51	28.33	30.28	25.95	26.51	28.33	30.28			
	S/T	0.92	0.87	0.70	0.53	0.96	0.90	0.73	0.55	0.98	0.92	0.75	0.56	1.00	0.95	0.77	0.58	1.00	1.00	0.80	0.60	1.00	1.00	0.81	0.60	1.00	1.00	0.83	0.62	1.00	1.00	0.84	0.63	1.00	1.00	0.84	0.63			
	ΔT	23	22	19	15	23	22	19	15	23	22	19	15	23	22	19	16	22	22	19	15	20	21	18	14	19	19	17	14	18	19	17	14	18	19	17	14			
	kW	2.75	2.81	2.90	2.99	3.12	3.19	3.29	3.40	3.44	3.51	3.63	3.75	3.76	3.84	3.97	4.11	4.05	4.14	4.28	4.43	4.32	4.42	4.57	4.73	4.55	4.66	4.82	4.99	4.65	4.76	4.93	5.10							
	Amps	5.8	5.9	6.1	6.3	6.2	6.3	6.5	6.7	6.6	6.8	6.9	7.2	7.0	7.1	7.3	7.6	7.4	7.5	7.7	8.0	7.7	7.9	8.1	8.4	8.0	8.1	8.4	8.6	8.1	8.2	8.5	8.8							
	Hi PR	173	186	197	205	194	209	221	230	221	238	251	262	252	271	286	298	283	305	322	336	313	337	355	371	332	357	378	394	341	366	387	404							
	Lo PR	61	65	71	75	64	68	75	80	67	71	78	83	70	75	82	87	74	78	85	91	76	81	88	94	77	82	90	96	78	83	90	96							
	MBH	34.4	35.1	37.5	40.1	33.6	34.3	36.6	39.2	32.8	33.5	35.8	38.2	32.0	32.7	34.9	37.3	30.4	31.0	33.1	35.4	28.1	28.7	30.7	32.8	26.3	26.9	28.7	30.7	25.6	26.1	27.9	29.8							
S/T	0.88	0.83	0.67	0.50	0.92	0.86	0.70	0.52	0.94	0.88	0.72	0.54	0.97	0.91	0.74	0.55	1.00	0.94	0.77	0.57	1.00	0.95	0.77	0.58	1.00	0.98	0.80	0.59	1.00	0.99	0.81	0.60								
ΔT	24	23	20	16	24	23	20	16	24	23	20	16	25	24	21	16	24	23	20	16	22	22	19	15	21	21	18	15	20	21	18	14								
kW	2.73	2.79	2.88	2.97	3.10	3.17	3.28	3.38	3.42	3.49	3.61	3.73	3.73	3.82	3.95	4.08	4.02	4.11	4.26	4.40	4.29	4.39	4.54	4.70	4.52	4.63	4.79	4.96	4.62	4.73	4.90	5.07								
Amps	5.8	5.9	6.1	6.2	6.2	6.3	6.4	6.6	6.6	6.7	6.9	7.1	7.0	7.1	7.3	7.5	7.3	7.5	7.7	7.9	7.7	7.8	8.1	8.3	7.9	8.1	8.3	8.6	8.0	8.2	8.4	8.7								
Hi PR	172	185	195	204	193	208	219	229	219	236	249	260	250	269	284	296	281	303	320	333	311	334	353	368	330	355	375	391	338	364	384	401								
Lo PR	60	64	70	75	64	68	74	79	66	71	77	82	70	74	81	86	73	78	85	90	76	80	88	93	77	82	89	95	77	82	90	96								
1021	ENTERING INDOOR WET BULB TEMPERATURE																																							
	MBH	32.6	33.3	35.6	38.1	31.9	32.6	34.8	37.2	31.1	31.8	34.0	36.3	30.4	31.0	33.1	35.4	28.8	29.5	31.5	33.7	26.7	27.3	29.2	31.2	25.0	25.6	27.3	29.2	24.3	24.8	26.5	28.3							
	S/T	0.85	0.79	0.65	0.48	0.88	0.82	0.67	0.50	0.90	0.84	0.69	0.51	0.93	0.87	0.71	0.53	0.96	0.90	0.74	0.55	0.97	0.91	0.74	0.55	1.00	0.94	0.76	0.57	1.01	0.95	0.77	0.58							
	ΔT	25	24	21	17	25	24	21	17	25	24	21	17	25	24	21	17	25	24	21	17	23	22	19	16	22	22	19	15	22	21	18	15							
	kW	2.69	2.75	2.83	2.92	3.05	3.12	3.22	3.33	3.36	3.43	3.55	3.67	3.67	3.75	3.88	4.01	3.95	4.04	4.18	4.33	4.21	4.31	4.46	4.62	4.44	4.55	4.70	4.87	4.54	4.65	4.81	4.98							
	Amps	5.7	5.8	6.0	6.1	6.1	6.2	6.4	6.5	6.5	6.6	6.8	7.0	6.9	7.0	7.2	7.4	7.2	7.4	7.6	7.8	7.6	7.7	7.9	8.2	7.8	8.0	8.2	8.5	7.9	8.1	8.3	8.6							
	Hi PR	169	181	191	200	189	203	215	224	215	231	244	255	245	264	278	290	276	297	313	327	304	328	346	361	323	348	367	383	331	357	377	393							
	Lo PR	59	63	69	73	63	67	73	77	65	69	76	80	68	73	79	85	72	76	83	89	74	79	86	92	75	80	87	93	76	81	88	94							
	MBH	34.65	35.32	36.96	39.46	33.82	34.48	36.11	38.53	33.00	33.66	35.23	37.59	31.35	31.96	33.47	35.71	29.04	29.60	31.00	33.08	27.19	27.72	29.03	30.97	26.40	26.91	28.18	30.07											
S/T	0.97	0.93	0.84	0.68	1.00	0.97	0.87	0.71	1.00	0.99	0.90	0.73	1.00	1.00	0.92	0.75	1.00	1.00	0.92	0.75	1.00	1.00	0.97	0.79	1.00	1.00	0.99	0.81	1.00	1.00	1.00	0.82								
ΔT	24	24	23	20	24	24	23	20	24	24	23	20	23	23	20	18	22	23	20	18	21	21	18	15	20	20	18	15	19	19	17	14								
kW	2.77	2.83	2.92	3.01	3.15	3.22	3.32	3.43	3.46	3.54	3.66	3.78	3.79	3.87	4.00	4.14	4.08	4.18	4.32	4.47	4.35	4.45	4.61	4.77	4.59	4.70	4.86	5.03	4.69	4.80	4.97	5.15								
Amps	5.9	6.0	6.1	6.3	6.2	6.4	6.5	6.7	6.7	6.8	7.0	7.2	7.0	7.2	7.4	7.6	7.4	7.6	7.8	8.0	7.8	7.9	8.2	8.4	8.0	8.2	8.4	8.7	8.1	8.3	8.5	8.8								
Hi PR	175	188	199	207	196	211	223	233	223	240	254	265	254	274	289	301	286	308	325	339	316	340	359	374	336	361	381	398	344	370	391	408								
Lo PR	61	65	71	76	65	69	75	80	68	72	78	84	71	75	82	88	74	79	86	92	77	82	89	95	78	83	91	97	79	84	91	97								
1293	ENTERING INDOOR WET BULB TEMPERATURE																																							
	MBH	35.0	35.6	37.3	39.8	34.1	34.8	36.4	38.9	33.3	34.0	35.6	38.0	32.5	33.1	34.7	37.0	30.9	31.5	33.0	35.2	28.6	29.2	30.5	32.6	26.8	27.3	28.6	30.5	26.0	26.5	27.8	29.6							
	S/T	0.93	0.89	0.81	0.65	0.96	0.93	0.84	0.68	0.99	0.95	0.86	0.70	1.00	0.98	0.89	0.72	1.00	1.00	0.92	0.75	1.00	1.00	0.93	0.75	1.00	1.00	0.95	0.77	1.00	1.00	0.96	0.78							
	ΔT	26	25	24	21	26	26	24	21	26	26	24	21	26	26	24	21	25	25	24	21	23	23	22	19	22	22	20	18	21	21	21	18							
	kW	2.75	2.81	2.90	3.00	3.13	3.20	3.30	3.41	3.44	3.52	3.64	3.76	3.77	3.85	3.98	4.12	4.06	4.15	4.29	4.44	4.33	4.43	4.58	4.74	4.56	4.67	4.83	5.00	4.66	4.77	4.94	5.11							
	Amps	5.8	5.9	6.1	6.3	6.2	6.3	6.5	6.7	6.6	6.8	7.0	7.2	7.0	7.1	7.3	7.6	7.4	7.5	7.7	8.0	7.7	7.9	8.1	8.4	8.0	8.2	8.4	8.7	8.1	8.3	8.5	8.8							
	Hi PR	174	187	197	206	195	210	221	231	222	238	252	263	252	272	287	299	284	306	323	337	314	338	357	372	333	359	379	395	342	368	388	405							
	Lo PR	61	65	71	76	65	69	75	80	67	71	78	83	70	75	82	87	74	79	86	91	76	81	89	94	78	83	90	96	78	83	91	97							
	MBH	33.2	33.8	35.4	37.8	32.4	33.1	34.6	36.9	31.7	32.3	33.8	36.1	30.9	31.5	33.0	35.2	29.3	29.9	31.3	33.4	27.2	27.7	29.0	31.0	25.5	25.9	27.2	29.0	24.7	25.2	26.4	28.1							
S/T	0.89	0.86	0.77	0.63	0.92	0.89	0.80	0.65	0.94	0.91	0.82	0.67	0.97	0.94	0.85	0.69	1.00	0.98	0.88	0.71	1.00	0.98	0.89	0.72	1.00	1.00	0.91	0.74	1.00	1.00	0.92	0.75								
ΔT	27	26	25	21	27	26	25	22	27	26	25	22	26	26	25	22	26	26	25	22	24	25	23	20	23	23	22	19	22	22	22	19								
kW	2.71	2.77	2.86	2.95	3.08	3.15	3.25	3.36	3.39	3.46	3.58	3.70	3.70	3.78	3.91	4.05	3.99	4.08	4.22	4.36	4.25	4.35	4.50	4.66	4.48	4.59	4.75	4.91	4.58	4.69	4.85	5.02								
Amps	5.8	5.9	6.0	6.2	6.1	6.2	6.4	6.6	6.5	6.7	6.8	7.1	6.9	7.0	7.2	7.5	7.4	7.4	7.6	7.9	7.6	7.8	8.0	8.3	7.9	8.0	8.3	8.5	8.0	8.1	8.4	8.6								
Hi PR	170	183	193	202	191	206	217	226	217	234	247	257	247	266	281	293	27																							

EXPANDED COOLING DATA — CPKF48-5M & ARUF048-00\*-2\*

IDB	AIRFLOW	OUTDOOR AMBIENT TEMPERATURE																									
		65°F			75°F			85°F			95°F			105°F			115°F			118°F			125°F				
		59	63	71	59	63	71	59	63	71	59	63	71	59	63	71	59	63	71	59	63	71	59	63	71		
70	1794	MBh	45.7	47.3	51.9	44.6	46.2	50.7	43.6	45.1	49.5	42.5	44.0	48.3	40.4	41.8	45.8	37.4	38.8	42.5	35.0	36.3	39.8	34.0	35.2	38.6	
		S/T	0.73	0.61	0.42	0.76	0.64	0.44	0.78	0.65	0.45	0.81	0.67	0.47	0.84	0.70	0.48	0.84	0.70	0.49	0.9	0.7	0.5	0.88	0.73	0.51	
	1605	ΔT	17	15	11	17	15	11	17	15	11	18	15	12	17	15	11	16	14	11	15.5	13.4	10.2	15	13	10	
		kW	3.69	3.77	3.89	4.18	4.27	4.41	4.60	4.70	4.85	5.01	5.13	5.30	5.40	5.52	5.70	5.75	5.88	6.08	6.1	6.2	6.4	6.19	6.33	6.55	
	1416	Amps	8.0	8.1	8.3	8.5	8.6	8.8	9.0	9.2	9.4	9.5	9.7	9.9	10.0	10.2	10.5	10.5	10.7	11.0	10.8	11.0	11.3	10.9	11.1	11.4	
		Hi PR	174	187	198	195	210	222	222	239	252	253	272	287	285	306	323	314	338	357	333.9	359.4	379.5	342	368	389	
	75	1794	Lo PR	56	60	65	59	63	69	62	66	72	65	69	75	68	72	79	70	75	82	71.3	75.9	82.8	72	76	83
			MBh	45.0	46.6	51.1	44.0	45.6	49.9	42.9	44.5	48.7	41.9	43.4	47.5	39.8	41.2	45.2	36.8	38.2	41.8	34.5	35.8	39.2	33.5	34.7	38.0
		1605	S/T	0.70	0.59	0.41	0.73	0.61	0.42	0.75	0.62	0.43	0.77	0.64	0.45	0.80	0.67	0.46	0.81	0.67	0.47	0.8	0.7	0.5	0.84	0.70	0.49
			ΔT	18	16	12	18	16	12	18	16	12	18	16	12	18	16	12	17	15	11	16.4	14.2	10.8	16	14	11
1416		kW	3.67	3.75	3.87	4.16	4.25	4.39	4.57	4.67	4.82	4.99	5.10	5.27	5.36	5.49	5.67	5.71	5.84	6.04	6.0	6.2	6.4	6.15	6.29	6.51	
		Amps	7.9	8.1	8.3	8.4	8.6	8.8	9.0	9.1	9.4	9.5	9.6	9.9	9.9	10.1	10.4	10.4	10.6	10.9	10.7	10.9	11.2	10.9	11.1	11.4	
70		1416	Hi PR	173	186	196	194	209	220	221	237	251	251	270	285	283	304	321	312	336	355	331.6	356.9	376.8	340	366	386
			Lo PR	56	59	65	59	63	68	61	65	71	64	68	75	67	72	78	70	74	81	70.8	75.3	82.3	71	76	83
75		1416	MBh	42.8	44.3	48.5	41.8	43.3	47.4	40.8	42.3	46.3	39.8	41.2	45.2	37.8	39.2	42.9	35.0	36.3	39.7	32.8	34.0	37.2	31.8	33.0	36.1
			S/T	0.67	0.56	0.39	0.70	0.58	0.40	0.72	0.60	0.41	0.74	0.62	0.43	0.77	0.64	0.44	0.77	0.65	0.45	0.8	0.7	0.5	0.80	0.67	0.46
70	1794	ΔT	19	16	12	19	16	12	19	16	12	19	17	13	19	16	12	18	15	12	16.9	14.6	11.1	17	14	11	
		kW	3.62	3.69	3.81	4.09	4.18	4.31	4.49	4.59	4.74	4.90	5.01	5.18	5.27	5.39	5.57	5.62	5.74	5.94	5.9	6.1	6.3	6.04	6.18	6.40	
	75	1416	Amps	7.8	8.0	8.2	8.3	8.4	8.7	8.8	9.0	9.2	9.3	9.5	9.7	9.8	10.0	10.2	10.3	10.5	10.7	10.6	10.8	11.1	10.7	10.9	11.2
			Hi PR	169	182	192	190	205	216	216	233	246	246	265	280	277	298	315	306	329	348	325.0	349.7	369.3	333	358	379
	70	1416	Lo PR	55	58	63	58	61	67	60	64	70	63	67	73	66	70	77	68	73	79	69	74	81	70	74	81
			MBh	46.5	47.83	51.77	55.56	45.37	46.71	50.56	54.27	44.29	45.60	49.36	52.98	43.21	44.49	48.16	51.68	41.05	42.27	45.75	49.10	38.03	39.15	42.38	45.48
	75	1794	S/T	0.83	0.75	0.57	0.36	0.87	0.77	0.59	0.38	0.89	0.79	0.60	0.39	0.92	0.82	0.62	0.40	0.95	0.85	0.64	0.41	0.96	0.86	0.65	0.42
			ΔT	20	18	15	10	20	19	15	10	20	19	15	10	20	18	15	10	20	18	14	10	18	17	14	9
	70	1605	kW	3.72	3.80	3.92	4.04	4.22	4.31	4.45	4.59	4.63	4.74	4.89	5.05	5.06	5.17	5.34	5.52	5.44	5.57	5.75	5.95	5.80	5.93	6.13	6.35
			Amps	8.0	8.2	8.4	8.6	8.5	8.7	8.9	9.2	9.1	9.3	9.5	9.8	9.6	9.8	10.0	10.3	10.1	10.3	10.5	10.9	10.5	10.8	11.1	11.4
75	1605	Hi PR	176	189	200	208	197	212	224	234	224	241	255	266	256	275	290	303	288	309	327	341	318	342	361	376	
		Lo PR	57	60	66	70	60	64	70	74	62	66	72	77	65	70	76	81	69	73	80	85	71	75	82	88	
70	1416	MBh	45.8	47.1	51.0	54.7	44.7	46.0	49.8	53.5	43.6	44.9	48.6	52.2	42.6	43.8	47.4	50.9	40.4	41.6	45.1	48.4	37.5	38.6	41.8	44.8	
		S/T	0.80	0.71	0.54	0.35	0.83	0.74	0.56	0.36	0.85	0.76	0.58	0.37	0.88	0.78	0.59	0.38	0.91	0.81	0.62	0.40	0.92	0.82	0.62	0.40	
75	1605	ΔT	21	19	16	11	21	20	16	11	21	20	16	11	21	19	16	11	21	19	16	11	20	18	15	10	
		kW	3.70	3.78	3.90	4.02	4.20	4.29	4.42	4.57	4.61	4.71	4.86	5.02	5.03	5.14	5.31	5.49	5.41	5.53	5.72	5.91	5.76	5.90	6.10	6.31	
70	1416	Amps	8.0	8.1	8.3	8.6	8.5	8.6	8.8	9.1	9.0	9.2	9.4	9.7	9.5	9.7	10.0	10.3	10.0	10.2	10.5	10.8	10.5	10.7	11.0	11.3	
		Hi PR	175	188	198	207	196	211	223	232	223	240	253	264	254	273	288	301	286	307	324	338	315	339	358	374	
75	1605	Lo PR	56	60	65	70	59	63	69	74	62	66	72	76	65	69	75	80	68	72	79	84	70	75	82	87	
		MBh	45.5	46.8	50.5	54.0	44.5	45.8	49.5	53.0	43.5	44.8	48.5	52.0	42.5	43.8	47.5	51.0	40.5	41.8	45.5	49.0	37.5	38.8	42.5	46.0	
70	1416	S/T	0.77	0.68	0.52	0.33	0.79	0.71	0.54	0.35	0.81	0.73	0.55	0.35	0.84	0.75	0.57	0.37	0.87	0.78	0.59	0.38	0.88	0.79	0.60	0.38	
		ΔT	22	20	16	11	22	20	17	11	22	20	17	11	22	20	16	11	22	20	16	11	20	19	15	10	
75	1605	kW	3.65	3.72	3.84	3.96	4.13	4.22	4.35	4.49	4.53	4.63	4.78	4.94	4.94	5.05	5.22	5.40	5.32	5.44	5.62	5.81	5.66	5.79	5.99	6.20	
		Amps	7.9	8.0	8.2	8.4	8.4	8.5	8.7	9.0	8.9	9.1	9.3	9.6	9.4	9.6	9.8	10.1	9.9	10.1	10.3	10.6	10.3	10.5	10.8	11.2	
70	1416	Hi PR	171	184	194	203	192	207	218	228	218	235	248	259	249	268	283	295	280	301	318	332	309	333	351	366	
		Lo PR	55	59	64	68	58	62	68	72	61	64	70	75	64	68	74	79	67	71	77	83	69	73	80	85	

IDB: Entering Indoor Dry Bulb Temperature  
 High and low pressures are measured at the liquid and suction service valves.  
 Shaded area reflects ACCA (TVA) conditions  
 kW = Total system power  
 Amps = outdoor unit amps (comp.+fan)



# EXPANDED COOLING DATA — CPKF48-5M & ARUF048-00\*-2\* (CONT.)

IDB	AIRFLOW	OUTDOOR AMBIENT TEMPERATURE												125°F																			
		65°F			75°F			85°F			95°F				105°F			115°F			118°F												
		59	63	67	71	59	63	67	71	59	63	67	71		59	63	67	71	59	63	67	71	59	63	67	71	59	63	67	71	59	63	67
ENTERING INDOOR WET BULB TEMPERATURE																																	
<b>1794</b>	MBh	47.28	48.31	51.61	55.17	46.18	47.19	50.41	53.89	45.08	46.06	49.21	52.61	43.98	44.94	48.01	51.33	41.78	42.69	45.61	48.76	38.70	39.55	42.25	45.17	35.24	37.03	39.56	42.29	35.18	35.95	38.41	41.06
	S/T	0.92	0.86	0.70	0.52	0.95	0.89	0.72	0.54	0.97	0.91	0.74	0.56	1.00	0.94	0.77	0.57	1.00	0.98	0.80	0.59	1.00	1.00	0.80	0.60	1.00	1.00	0.82	0.62	1.00	1.00	0.83	0.62
	ΔT	22	21	18	15	22	22	19	15	22	22	19	15	23	22	19	15	21	21	19	15	20	20	17	14	19	19	17	13	18	18	16	13
	kW	3.75	3.83	3.95	4.08	4.25	4.35	4.48	4.63	4.67	4.78	4.93	5.10	5.10	5.21	5.39	5.57	5.49	5.61	5.80	6.00	5.85	5.98	6.19	6.40	6.16	6.31	6.52	6.75	6.30	6.44	6.67	6.90
	Amps	8.1	8.2	8.4	8.7	8.6	8.7	9.0	9.2	9.1	9.3	9.6	9.9	9.6	9.8	10.1	10.4	10.1	10.3	10.6	11.0	10.6	10.8	11.1	11.5	10.9	11.2	11.5	11.8	11.1	11.3	11.6	12.0
	Hi PR	178	191	202	210	199	214	226	236	227	244	258	269	258	278	293	306	290	313	330	344	321	345	365	380	341	367	387	404	349	376	397	414
	Lo PR	57	61	67	71	61	64	70	75	63	67	73	78	66	70	77	82	69	74	80	86	73	76	83	89	73	77	85	90	73	78	85	91
	MBh	46.6	47.6	50.9	54.4	45.5	46.5	49.7	53.1	44.4	45.4	48.5	51.8	43.3	44.3	47.3	50.6	41.2	42.1	44.9	48.0	38.1	39.0	41.6	44.5	35.7	36.5	39.0	41.7	34.7	35.4	37.8	40.5
	S/T	0.88	0.82	0.67	0.50	0.91	0.85	0.69	0.52	0.93	0.87	0.71	0.53	0.96	0.90	0.73	0.55	1.00	0.94	0.76	0.57	1.00	0.94	0.77	0.57	1.00	0.97	0.79	0.59	1.00	0.98	0.80	0.60
ΔT	23	22	19	16	24	23	20	16	24	23	20	16	24	23	20	16	24	23	20	16	22	21	18	15	20	20	18	14	20	20	17	14	
kW	3.73	3.81	3.93	4.05	4.23	4.32	4.46	4.60	4.65	4.75	4.90	5.07	5.07	5.18	5.36	5.54	5.46	5.58	5.77	5.97	5.81	5.95	6.15	6.36	6.13	6.27	6.48	6.71	6.26	6.40	6.62	6.86	
Amps	8.0	8.2	8.4	8.6	8.5	8.7	8.9	9.2	9.1	9.3	9.5	9.8	9.6	9.8	10.0	10.3	10.1	10.3	10.6	10.9	10.6	10.8	11.1	11.4	10.9	11.1	11.4	11.8	11.0	11.3	11.6	11.9	
Hi PR	176	190	200	209	198	213	225	235	225	242	256	267	256	276	291	304	288	310	328	342	319	343	362	378	338	364	385	401	347	373	394	411	
Lo PR	57	61	66	70	60	64	70	74	62	66	73	77	66	70	76	81	69	73	80	85	71	76	83	88	72	77	84	89	73	77	85	90	
MBh	44.3	45.2	48.3	51.6	43.2	44.2	47.2	50.4	42.2	43.1	46.1	49.2	41.2	42.1	44.9	48.0	39.1	40.0	42.7	45.6	36.2	37.0	39.5	42.3	33.9	34.7	37.0	39.6	32.9	33.6	36.0	38.4	
S/T	0.84	0.79	0.64	0.48	0.87	0.82	0.66	0.50	0.89	0.84	0.68	0.51	0.92	0.86	0.70	0.53	0.96	0.90	0.73	0.55	0.96	0.90	0.74	0.55	0.99	0.93	0.76	0.57	1.00	0.94	0.76	0.57	
ΔT	24	23	20	16	24	23	20	16	24	23	20	16	25	24	21	16	24	23	20	16	22	22	19	15	22	21	18	15	21	21	18	14	
kW	3.67	3.75	3.87	3.99	4.16	4.25	4.39	4.53	4.57	4.67	4.82	4.98	4.99	5.10	5.27	5.44	5.36	5.49	5.67	5.86	5.71	5.84	6.04	6.25	6.02	6.16	6.37	6.59	6.15	6.29	6.51	6.74	
Amps	7.9	8.1	8.3	8.5	8.4	8.6	8.8	9.0	9.0	9.1	9.4	9.7	9.5	9.6	9.9	10.2	9.9	10.1	10.4	10.7	10.4	10.6	10.9	11.3	10.7	10.9	11.2	11.6	10.9	11.1	11.4	11.7	
Hi PR	173	186	196	205	194	209	220	230	221	237	251	261	251	270	285	298	283	304	321	335	312	336	355	370	332	357	377	393	340	366	386	403	
Lo PR	56	59	65	69	59	63	68	73	61	65	71	76	64	68	75	80	67	72	78	83	70	74	81	86	71	75	82	88	71	76	83	88	
<b>1794</b>	MBh	48.10	49.03	51.36	54.79	46.99	47.89	50.16	53.51	45.87	46.75	48.97	52.24	44.75	45.61	47.77	50.97	42.51	43.33	45.38	48.42	39.38	40.14	42.04	44.85	35.87	37.59	39.36	42.00	35.80	36.49	38.22	40.77
	S/T	0.96	0.93	0.84	0.68	0.99	0.96	0.87	0.70	1.00	0.98	0.89	0.72	1.00	1.00	0.92	0.74	1.00	1.00	0.95	0.77	1.00	1.00	0.96	0.78	1.00	1.00	0.99	0.80	1.00	1.00	1.00	0.81
	ΔT	24	23	22	19	24	24	22	19	24	24	22	19	23	23	22	19	22	22	22	19	20	21	21	18	19	19	20	17	18	19	20	17
	kW	3.78	3.86	3.98	4.11	4.29	4.38	4.52	4.67	4.71	4.81	4.97	5.14	5.14	5.26	5.43	5.62	5.54	5.66	5.85	6.05	5.90	6.03	6.24	6.46	6.22	6.36	6.58	6.81	6.35	6.50	6.72	6.96
	Amps	8.1	8.3	8.5	8.7	8.6	8.8	9.0	9.3	9.2	9.4	9.6	9.9	9.7	9.9	10.2	10.5	10.2	10.4	10.7	11.0	10.7	10.9	11.2	11.6	11.0	11.3	11.6	11.9	11.2	11.4	11.7	12.1
	Hi PR	179	193	204	213	201	217	229	239	229	246	260	271	261	281	296	309	293	316	333	348	324	349	368	384	344	370	391	408	353	380	401	418
	Lo PR	58	62	67	72	61	65	71	76	64	68	74	79	67	71	78	83	70	74	81	87	72	77	84	89	74	78	85	91	74	79	86	92
	MBh	47.4	48.3	50.6	54.0	46.3	47.2	49.4	52.7	45.2	46.1	48.2	51.5	44.1	44.9	47.1	50.2	41.9	42.7	44.7	47.7	38.8	39.5	41.4	44.2	36.3	37.0	38.8	41.4	35.3	36.0	37.7	40.2
	S/T	0.92	0.89	0.80	0.65	0.95	0.92	0.83	0.67	0.98	0.94	0.85	0.69	1.00	0.97	0.88	0.71	1.00	1.00	0.91	0.74	1.00	1.00	0.92	0.75	1.00	1.00	0.94	0.77	1.00	1.00	0.95	0.77
ΔT	25	25	23	20	25	25	23	20	25	25	24	20	25	25	24	20	24	24	24	20	24	24	23	20	22	23	21	18	20	21	21	18	
kW	3.76	3.84	3.96	4.08	4.26	4.36	4.50	4.64	4.68	4.79	4.94	5.11	5.11	5.23	5.40	5.58	5.50	5.63	5.82	6.02	5.86	6.00	6.20	6.42	6.18	6.32	6.54	6.77	6.31	6.46	6.68	6.92	
Amps	8.1	8.2	8.4	8.7	8.6	8.7	9.0	9.2	9.2	9.3	9.6	9.9	9.7	9.9	10.1	10.4	10.2	10.4	10.6	11.0	10.6	10.9	11.2	11.5	11.0	11.2	11.5	11.9	11.1	11.3	11.7	12.0	
Hi PR	178	192	202	211	200	215	227	237	227	245	258	269	259	279	294	307	291	313	331	345	322	346	366	381	342	368	388	405	350	377	398	415	
Lo PR	57	61	67	71	61	65	70	75	63	67	73	78	66	70	77	82	69	74	81	86	72	76	83	89	73	78	85	90	73	78	85	91	
MBh	45.0	45.9	48.1	51.3	44.0	44.8	46.9	50.1	42.9	43.8	45.8	48.9	41.9	42.7	44.7	47.7	39.8	40.6	42.5	45.3	36.9	37.6	39.3	42.0	34.5	35.2	36.8	39.3	33.5	34.2	35.8	38.2	
S/T	0.88	0.85	0.77	0.62	0.91	0.88	0.79	0.64	0.94	0.90	0.81	0.66	0.97	0.93	0.84	0.68	1.00	0.97	0.87	0.71	1.00	0.98	0.88	0.71	1.00	0.99	0.90	0.73	1.00	1.00	0.91	0.74	
ΔT	26	25	24	21	26	26	24	21	26	26	24	21	26	26	24	21	26	25	24	21	26	24	22	19	22	23	22	19	22	22	21	18	
kW	3.70	3.78	3.90	4.02	4.19	4.28	4.42	4.57	4.61	4.71	4.86	5.02	5.03	5.14	5.31	5.49	5.41	5.53	5.72	5.91	5.76	5.89	6.09	6.31	6.07	6.21	6.42	6.65	6.20	6.35	6.57	6.80	
Amps	8.0	8.1	8.3	8.6	8.5	8.6	8.8	9.1	9.0	9.2	9.4	9.7	9.5	9.7	10.0	10.3	10.0	10.2	10.5	10.8	10.5	10.7	11.0	11.3	10.8	11.0	11.3	11.7	10.9	11.2	11.5	11.8	
Hi PR	175	188	198	207	196	211	223	232	223	240	253	264	254	273	288	301	285	307	324	338	315	339	358	374	335	360							

EXPANDED COOLING DATA — CPKF60-5M & ARUF060-00\*-2\*

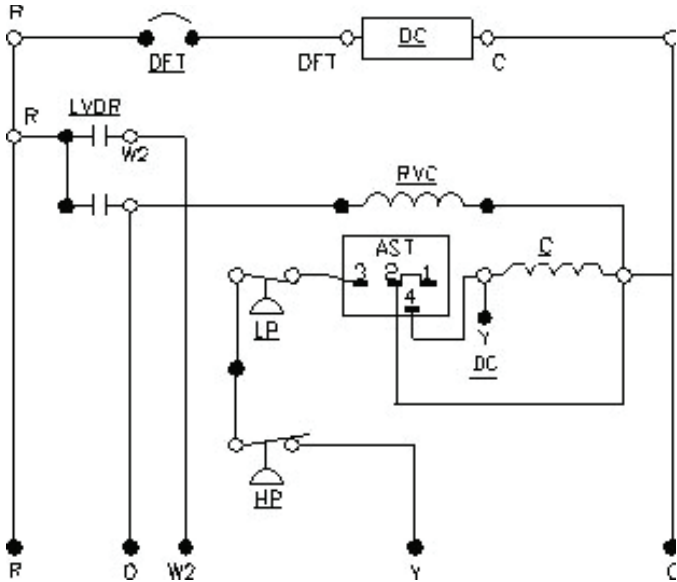
IDB	AIRFLOW	OUTDOOR AMBIENT TEMPERATURE												125°F															
		65°F			75°F			85°F			95°F				105°F			115°F			118°F								
		59	63	71	59	63	71	59	63	71	59	63	71		59	63	71	59	63	71	59	63	71	59	63	71			
70	1785	MBh	54.5	56.4	61.8	53.2	55.1	60.4	51.9	53.8	59.0	50.7	52.5	57.5	48.1	49.9	54.6	44.6	46.2	50.6	41.7	43.3	47.4	40.5	42.0	46.0			
		S/T	0.68	0.57	0.39	0.70	0.59	0.41	0.72	0.60	0.42	0.74	0.62	0.43	0.77	0.64	0.45	0.78	0.65	0.45	0.8	0.7	0.5	0.81	0.67	0.47			
		ΔT	19	16	12	19	17	13	19	17	13	19	17	13	19	17	13	18	15	12	17.2	14.8	11.3	17	15	11			
		KW	3.94	4.03	4.18	4.56	4.67	4.85	5.08	5.21	5.40	5.61	5.75	5.97	6.10	6.25	6.49	6.54	6.71	6.96	6.9	7.1	7.4	7.10	7.28	7.56			
		Amps	10.8	11.0	11.3	11.5	11.7	12.0	12.2	12.5	12.8	12.9	13.1	13.5	13.5	13.8	14.2	14.2	14.5	14.9	14.6	14.9	15.3	14.8	15.1	15.5			
	1597	Hi PR	168	181	191	188	203	214	214	231	243	244	263	277	275	295	312	303	326	345	322.1	346.6	366.0	322.1	346.6	366.0	330	355	375
		Lo PR	48	51	56	51	54	59	53	56	61	55	59	64	58	62	67	60	64	70	60.8	64.7	70.7	61	65	71			
		MBh	53.7	55.6	60.9	52.4	54.3	59.5	51.2	53.0	58.1	49.9	51.7	56.7	47.4	49.1	53.8	43.9	45.5	49.9	41.1	42.6	46.7	39.9	41.4	45.3			
		S/T	0.65	0.54	0.37	0.67	0.56	0.39	0.69	0.58	0.40	0.71	0.59	0.41	0.74	0.62	0.43	0.74	0.62	0.43	0.8	0.6	0.4	0.77	0.65	0.45			
		ΔT	20	17	13	20	18	13	20	18	13	20	17	13	20	17	13	19	16	12	18.1	15.7	11.9	18	15	12			
1409	KW	3.91	4.01	4.16	4.53	4.64	4.81	5.05	5.17	5.37	5.58	5.72	5.93	6.06	6.21	6.44	6.50	6.67	6.92	6.9	7.1	7.3	7.05	7.24	7.51				
	Amps	10.8	11.0	11.2	11.4	11.6	11.9	12.2	12.4	12.7	12.8	13.1	13.4	13.5	13.7	14.1	14.1	14.4	14.8	14.5	14.8	15.2	14.7	15.0	15.4				
	Hi PR	167	179	189	187	201	213	213	229	242	242	261	275	273	293	310	301	324	342	319.9	344.2	363.5	328	353	373				
	Lo PR	48	51	55	50	53	58	52	56	61	55	58	64	57	61	67	59	63	69	60.4	64.3	70.2	61	65	71				
	MBh	51.0	52.8	57.9	49.8	51.6	56.5	48.6	50.4	55.2	47.4	49.1	53.8	45.0	46.7	51.1	41.7	43.2	47.4	39.1	40.5	44.4	37.9	39.3	43.1				
75	1785	S/T	0.62	0.52	0.36	0.64	0.54	0.37	0.66	0.55	0.38	0.68	0.57	0.39	0.71	0.59	0.41	0.71	0.60	0.41	0.7	0.6	0.4	0.74	0.62	0.43			
		ΔT	21	18	14	21	18	14	21	18	14	21	18	14	21	18	14	19	17	13	18.6	16.1	12.3	18	16	12			
		KW	3.84	3.93	4.08	4.45	4.56	4.72	4.95	5.08	5.27	5.47	5.61	5.82	5.94	6.09	6.32	6.38	6.54	6.78	6.8	6.9	7.2	6.92	7.10	7.37			
		Amps	10.6	10.8	11.1	11.3	11.5	11.8	12.0	12.2	12.5	12.6	12.9	13.2	13.3	13.5	13.9	13.9	14.2	14.5	14.3	14.6	15.0	14.5	14.8	15.2			
		Hi PR	163	176	186	183	197	208	209	224	237	237	256	270	267	288	304	295	318	335	313.5	337.4	356.2	321	346	365			
	1597	Lo PR	47	50	54	49	52	57	51	54	59	54	57	62	56	60	65	58	62	68	59	63	69	60	63	69			
		MBh	55.38	57.02	61.72	54.09	55.69	60.28	52.80	54.37	58.85	51.52	53.04	57.41	48.94	50.39	54.54	45.33	46.68	50.52	42.45	43.70	47.31	41.21	42.43	45.93			
		S/T	0.77	0.69	0.52	0.80	0.71	0.54	0.82	0.73	0.55	0.84	0.75	0.57	0.88	0.78	0.59	0.88	0.79	0.60	0.91	0.81	0.61	0.92	0.82	0.62			
		ΔT	22	20	17	22	20	17	22	20	17	22	21	17	22	20	17	21	19	16	20	18	15	19	18	15			
		KW	3.97	4.07	4.22	4.60	4.72	4.89	5.13	5.26	5.45	5.67	5.81	6.03	6.16	6.31	6.55	6.61	6.78	7.03	7.00	7.18	7.45	7.17	7.36	7.63			
1409	Amps	10.9	11.1	11.4	11.6	11.8	12.1	12.3	12.6	12.9	13.0	13.2	13.6	13.6	13.9	14.3	14.3	14.6	15.0	14.7	15.0	15.4	14.9	15.2	15.6				
	Hi PR	170	183	193	190	205	216	216	233	246	247	265	280	277	298	315	306	330	348	325	350	370	334	359	379				
	Lo PR	48	51	56	51	54	59	53	57	62	56	59	65	58	62	68	60	64	70	61	65	71	62	66	72				
	MBh	54.6	56.2	60.8	53.3	54.9	59.4	52.0	53.6	58.0	50.8	52.3	56.6	48.2	49.6	53.7	44.7	46.0	49.8	41.8	43.1	46.6	40.6	41.8	45.2				
	S/T	0.74	0.66	0.50	0.76	0.68	0.52	0.78	0.70	0.53	0.81	0.72	0.55	0.84	0.75	0.57	0.85	0.76	0.57	0.87	0.78	0.59	0.88	0.79	0.59				
75	1597	ΔT	23	21	17	23	22	18	23	22	18	24	22	18	23	21	18	22	20	16	21	19	16	21	19	15			
		KW	3.95	4.05	4.19	4.57	4.69	4.86	5.10	5.22	5.42	5.63	5.77	5.99	6.12	6.27	6.51	6.56	6.73	6.99	6.96	7.13	7.40	7.12	7.31	7.58			
		Amps	10.9	11.0	11.3	11.5	11.7	12.0	12.3	12.5	12.8	12.9	13.2	13.5	13.6	13.8	14.2	14.2	14.5	14.9	14.6	14.9	15.3	14.8	15.1	15.5			
		Hi PR	168	181	191	189	203	215	215	231	244	245	263	278	275	296	313	304	327	346	323	348	367	331	356	376			
		Lo PR	48	51	56	51	54	59	53	56	61	55	59	64	58	62	67	60	64	70	61	65	71	61	65	71			
	1409	MBh	51.8	53.4	57.8	50.6	52.1	56.4	49.4	50.9	55.1	48.2	49.6	53.7	45.8	47.2	51.0	42.4	43.7	47.3	39.7	40.9	44.3	38.6	39.7	43.0			
		S/T	0.71	0.63	0.48	0.73	0.65	0.50	0.75	0.67	0.51	0.77	0.69	0.52	0.80	0.72	0.54	0.81	0.72	0.55	0.83	0.74	0.56	0.84	0.75	0.57			
		ΔT	24	22	18	24	22	18	24	22	18	24	22	18	24	22	18	22	21	17	22	20	16	21	20	16			
		KW	3.88	3.97	4.12	4.49	4.60	4.77	5.00	5.13	5.32	5.52	5.66	5.87	6.00	6.15	6.38	6.44	6.60	6.85	6.82	7.00	7.26	6.99	7.17	7.44			
		Amps	10.7	10.9	11.2	11.4	11.6	11.8	12.1	12.3	12.6	12.7	13.0	13.3	13.4	13.6	14.0	14.0	14.3	14.7	14.4	14.7	15.1	14.6	14.9	15.3			
1409	Hi PR	165	178	188	185	199	210	211	227	239	240	258	273	270	290	307	298	321	339	317	341	360	317	341	360				
	Lo PR	47	50	55	50	53	58	52	55	60	54	58	63	57	61	66	59	63	68	60	64	69	60	64	70				
	MBh	55.38	57.02	61.72	54.09	55.69	60.28	52.80	54.37	58.85	51.52	53.04	57.41	48.94	50.39	54.54	45.33	46.68	50.52	42.45	43.70	47.31	41.21	42.43	45.93				
	S/T	0.77	0.69	0.52	0.80	0.71	0.54	0.82	0.73	0.55	0.84	0.75	0.57	0.88	0.78	0.59	0.88	0.79	0.60	0.91	0.81	0.61	0.92	0.82	0.62				
	ΔT	22	20	17	22	20	17	22	20	17	22	21	17	22	20	17	21	19	16	20	18	15	19	18	15				

IDB: Entering Indoor Dry Bulb Temperature  
 High and low pressures are measured at the liquid and suction service valves.  
 Shaded area reflects ACCA (TVA) conditions  
 kW = Total system power  
 Amps = outdoor unit amps (comp.+fan)



# SCHEMATIC WIRING DIAGRAMS

## LOW-VOLTAGE CONTROL WIRING DIAGRAM

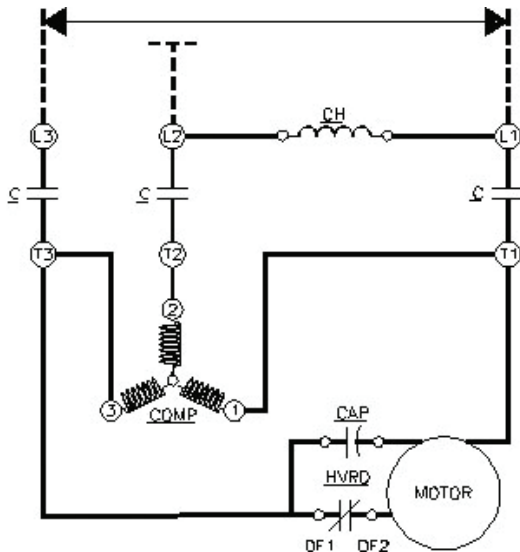


**COMPONENT CODES**

- CM Outdoor Fan Motor
- COMP Compressor
- C Contactor
- DC Defrost Control
- LDVR Low-Voltage Defrost Relay
- CH Crankcase Heater
- IO Internal Overload
- LP Low-Pressure Control
- HP High-Pressure Control
- OT Outdoor Thermostat (Optional)
- FC Fan Capacitor
- DFT Defrost Thermostat
- RVC Reversing Valve Coil
- HVDR High-Voltage Defrost Relay
- AST Anti-Short Cycle Timer

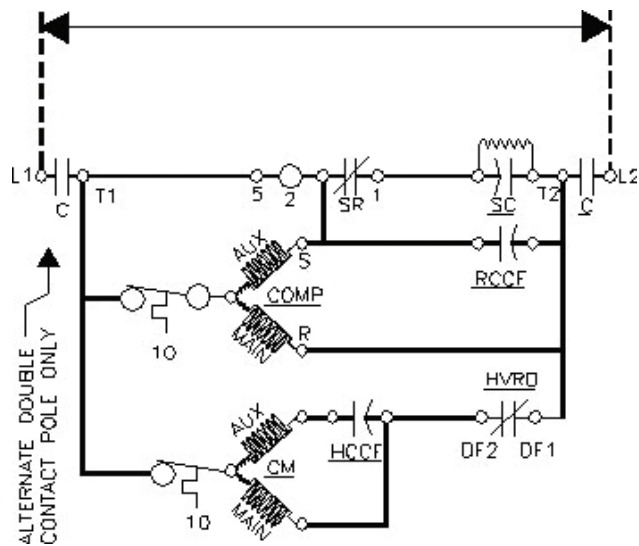
## LINE-VOLTAGE POWER WIRING DIAGRAMS

380/415, 50 HZ, 3 PH



CPKF36-5, CPKF48-5, CPKF60-5 & CPKF61-5

220/240, 50HZ, 1 PH



CPKF24-2, CPKF36-2 & CPKF48-2

## Free Manuals Download Website

<http://myh66.com>

<http://usermanuals.us>

<http://www.somanuals.com>

<http://www.4manuals.cc>

<http://www.manual-lib.com>

<http://www.404manual.com>

<http://www.luxmanual.com>

<http://aubethermostatmanual.com>

Golf course search by state

<http://golfingnear.com>

Email search by domain

<http://emailbydomain.com>

Auto manuals search

<http://auto.somanuals.com>

TV manuals search

<http://tv.somanuals.com>