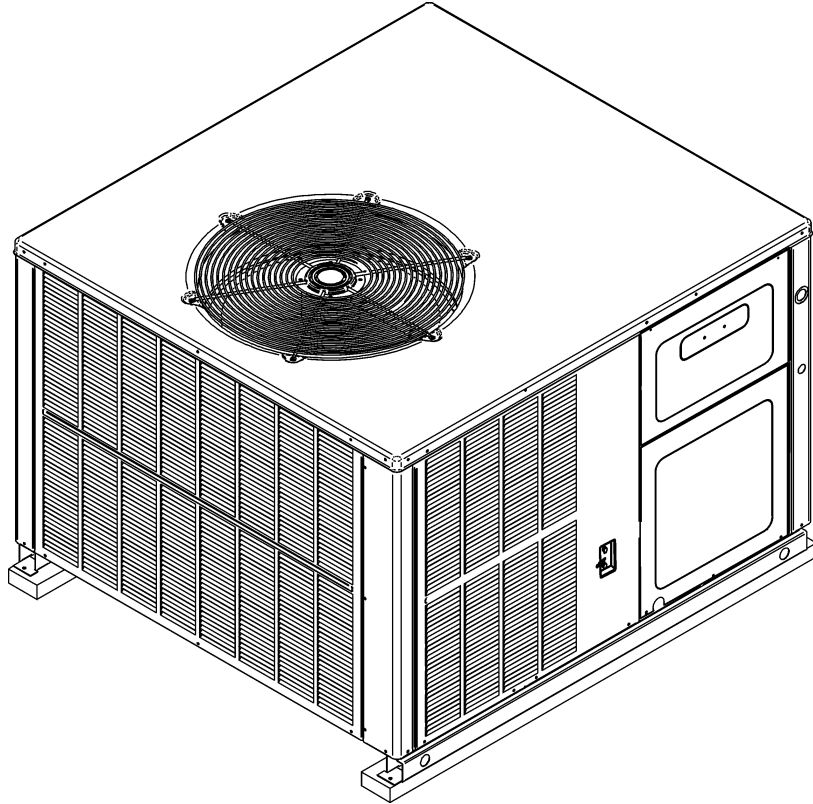


REPAIR PARTS

GPH13 "M" Series Horizontal Package Heat Pumps

GPH1324M41AB
GPH1330M41AB
GPH1336M41AB
GPH1336M43AA
GPH1342M41AB
GPH1348M41AB
GPH1348M43AA
GPH1360M41AB
GPH1360M43AA



This manual is to be used by qualified technicians only.

RP-629

© 2009 Goodman Manufacturing Company, L.P. ♦ 5151 San Felipe, Suite 500 ♦ Houston, TX 77056

Important Information

Index

Functional Parts List	3
Illustration and Parts	4 - 11

Views shown are for parts illustrations only, not servicing procedures.

Added Models GPH1336M43AA, GPH1348M43AA and GPH1360M43AA

Text Codes:

AR - As Required

NA - Not Available

NS - Not Shown

00000000 - See Note

QTY - Quantity Example (QTY 3) (If Quantity not shown, Quantity = 1)

M - Model Example (M1) (If M Code not shown, then part is used on all Models)

Expanded Model Nomenclature:

Example M1 - Model#1 M2 - Model#2 M3 - Model#3

Goodman Manufacturing Company, L.P. is not responsible for personal injury or property damage resulting from improper service. Review all service information before beginning repairs.

Warranty service must be performed by an authorized technician, using authorized factory parts. If service is required after the warranty expires, Goodman Manufacturing Company, L.P. also recommends contacting an authorized technician and using authorized factory parts.

Goodman Manufacturing Company, L.P. reserves the right to discontinue, or change at any time, specifications or designs without notice or without incurring obligations.

For assistance within the U.S.A. contact:
Consumer Affairs Department
Goodman Manufacturing Company, L.P.
7401 Security Way
Houston, Texas 77040
877-254-4729-Telephone
713-863-2382-Facsimile

For assistance outside the U.S.A. contact:
International Division
Goodman Manufacturing Company, L.P.
7401 Security Way
Houston, Texas 77040
713-861-2500-Telephone
713-863-2382-Facsimile

Functional Parts

Part

No: Description:

B1757910

SUPPLEMENTAL INSERT (EBTDR)

0130M00014	240 VOLT RELAY (M1, M2, M3, M4, M5)
0131M00062	BLOWER MOTOR 1/3 HP, 3 SP, 6 PL (M2)
CAP050450440RTS	CAP, 5/45 MFD/440V/DUAL RD (M1, M2, M3, M5)
CAP050700440RTS	CAP, 5/70 MFD/440V/DUAL RD (M6, M8)
CAP100000370VAS	CAPACITOR 10/370V [BLOWER] (M1, M2, M3, M4, M5)
CAP050000370VAS	CAPACITOR 5/370V (M4, M7, M9)
ZP28K5EPFV130	COMP, 28000, 208/230/60/1 (M2)
ZP42K5ETF5130	COMP, 41900, 200/230/60/3 (M7)
ZP42K5EPFV830	COMP, 42000, 208/230/60/1 (M6)
ZP21K5EPFV830	COMP, 21300, 208/230/60/1 (M1)
ZP31K5EPFV830	COMPRESSOR 31100, 208/230/60/1 (M3)
ZP31K5ETF5830	COMPRESSOR 31200, 200/230/60/3 (M4)
ZP36K5EPFV830	COMPRESSOR 36200, 208/230/60/1 (M5)
ZP51K5EPFV830	COMPRESSOR 51000, 208/230/60/1 (M8)
ZP51K5ETF5830	COMPRESSOR 51000, 208/230/60/3 (M9)
0131M00007PS	COND MOTOR 1/4 HP, 1 SP, 6 PL (M5, M6, M7, M8, M9)
CONT2P025024VS	CONTACTOR 25 AMP, 2P, 24V (M1, M2, M3, M5)
CONT3P025024VS	CONTACTOR 25 AMP, 3P, 24V (M4)
CONT2P040024VS	CONTACTOR 40 AMP, 2P, 24V (M6, M8)
CONT3P040024VS	CONTACTOR 40 AMP, 3P, 24V (M7, M9)
0130R00045	CRANKCASE HEATER SWITCH (M4, M7, M8, M9)
0230G00005	CRANKCASE HEATER SWITCH (M7, M8, M9)
0130M00057	DEFROST THERMOSTAT (M1, M2)
0130M00009P	DEFROST THERMOSTAT OPEN 60°, CLOSE 34° (M3, M4, M5, M6, M7, M8, M9)
PCBFM131	ELECTRONIC BLOWER TIME DELAY RELAY (M1, M2, M3, M4, M5)
0163R00003	HEATER, CRANKCASE 230V 40W (M7, M8, M9)
0130M00074	HIGH PRESSURE SWITCH (M1, M2, M3, M5, M6, M8)
0130M00075	LOW PRESSURE SWITCH
0131M00195	Motor - 1 HP Programmed Selec (M8, M9)
0131M00193	Motor - 3/4 HP Programmed Selc (M6, M7)
0131M00061S	MOTOR, 1/4HP, 1SP, 8PL (M1, M2, M3, M4)
PCBDM133	PCB, DEFROST CONTROL
B1141643	TRANSFORMER 208/230, 24V

Expanded Model Nomenclature

M1 - GPH1324M41AE
M2 - GPH1330M41AE
M3 - GPH1336M41AE
M4 - GPH1336M43AA
M5 - GPH1342M41AE
M6 - GPH1348M41AE
M7 - GPH1348M43AA
M8 - GPH1360M41AE
M9 - GPH1360M43AA

SPECIAL PARTS

COCARE-01G	FORM, LABOR ALLOWANCE
IO-395A	INSTALLATION INSTRUCTION (M4, M7, M9)

Cabinet Assembly

Image 1

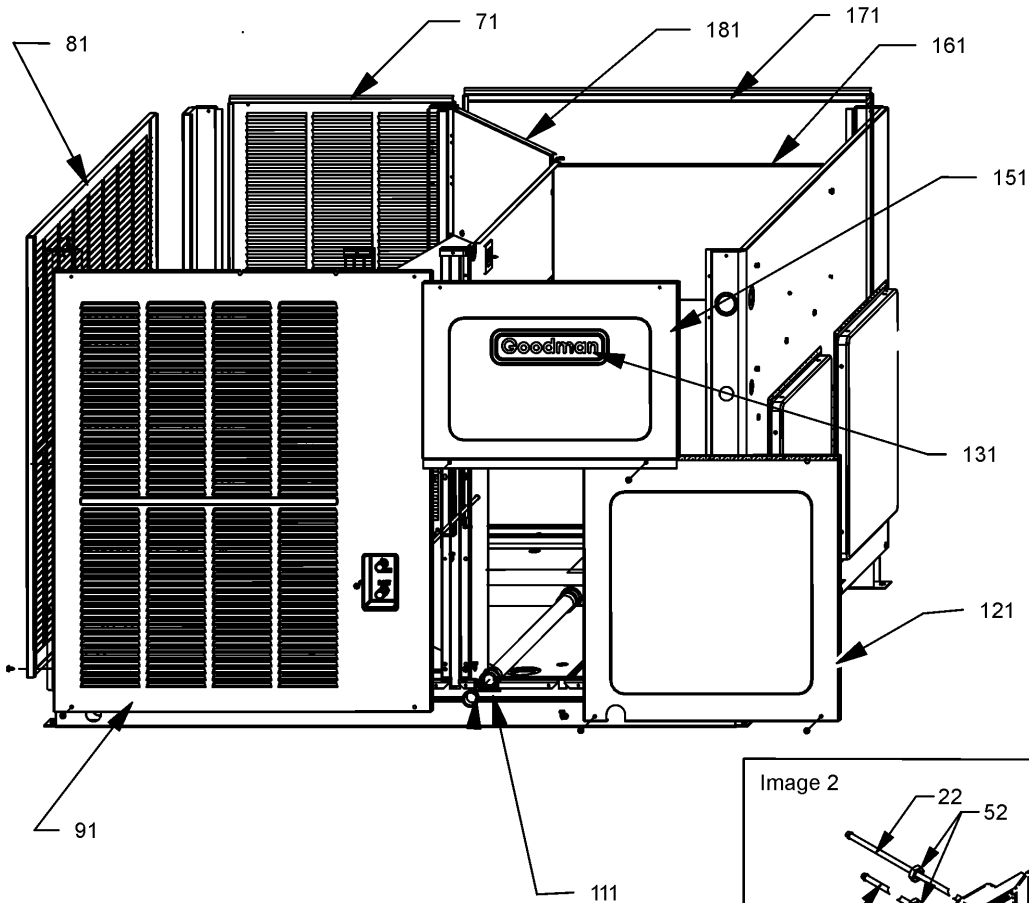
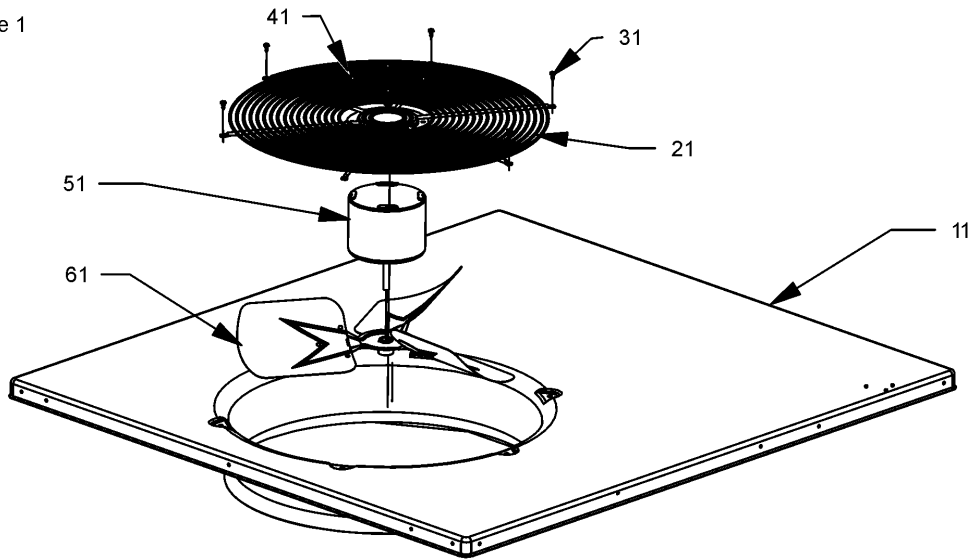
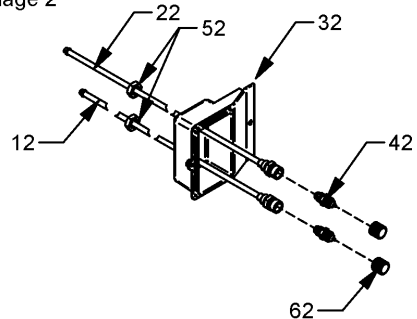


Image 2



Cabinet Assembly

Ref. Part No:	Ref. Part No:	Description:	Description:
---------------	---------------	--------------	--------------

Image 1:

11	20466001PDGS	TOP PANEL
21	0152G00002S	FAN GRILLE (M1, M2)
21	0152G00000S	RAISED FAN GRILLE (M3, M4, M5, M6, M7, M8, M9)
31	M0221817	SCREW-SM (QTY 6)
41	0163M00006P	ACORN NUT 5/16 HEX BLACK (QTY 4)
51	0131M00007PS	COND MOTOR 1/4 HP, 1 SP, 6 PL (M5, M6, M7, M8, M9)
51	0131M00061S	MOTOR, 1/4HP, 1SP, 8PL (M1, M2, M3, M4)
61	0150M00011S	BLADE, FAN, SWEPT WING (M8, M9)
61	0150M00008S	FAN BLADE 22" TNT2203-25 (M1, M2)
61	B1086765S	FAN BLADE TYPE 3 (M3, M4)
61	0150G00002S	FAN BLADE-SWEPT WING (M5, M6, M7)
71	20467701PDGS	LOUVERED PANEL, COND SIDE 32" (M1, M2, M3, M4, M5)
71	20467702PDGS	LOUVERED PANEL, COND SIDE 40" (M6, M7, M8, M9)
81	20464401PDGS	LOUVERED PANEL, COND SIDE 32" (M1, M2, M3, M5)
81	20464402PDGS	LOUVERED PANEL, COND SIDE 40" (M6, M7, M8, M9)
91	0121G00146PDG	LOUVERED PANEL 4 BANK 32.5", COMP SIDE (M1, M2, M3, M5)
91	0121G00147PDG	LOUVERED PANEL 4 BANK 40", COMP SIDE (M8, M9)
91	0121G00145PDG	LVR, COMP, 2BANK, CNVRT, 40" (M6, M7)
111	0161M00013	DRAIN PIPE
111	0261G00000	DRAIN PIPE
121	0260G00023PS	INSULATED ASSY, BLOWER PANEL 32.5" (M1, M2, M3, M4, M5)
121	0260G00024PS	INSULATED ASSY, BLOWER PANEL 40" (M6, M7, M8, M9)
151	0121G00213DGS	CONTROL BOX PANEL
161	0260G00034S	INSULATED ASSY, EVAP BLOCK-OFF 32" (M1, M2, M3, M4, M5)
161	0260G00035S	INSULATED ASSY, EVAP BLOCK-OFF 40" (M6, M7, M8, M9)
171	0260G00025PS	INSULATED ASSY, BLOWER PANEL 32.5" (M1, M2, M3, M4, M5)
171	0260G00026PS	INSULATED ASSY, BLOWER PANEL 40" (M6, M7, M8, M9)
181	0260G00022PS	INSULATED ASSY, FAN SHROUD
NS	17788000083F	PVC CONDUIT 8.25"

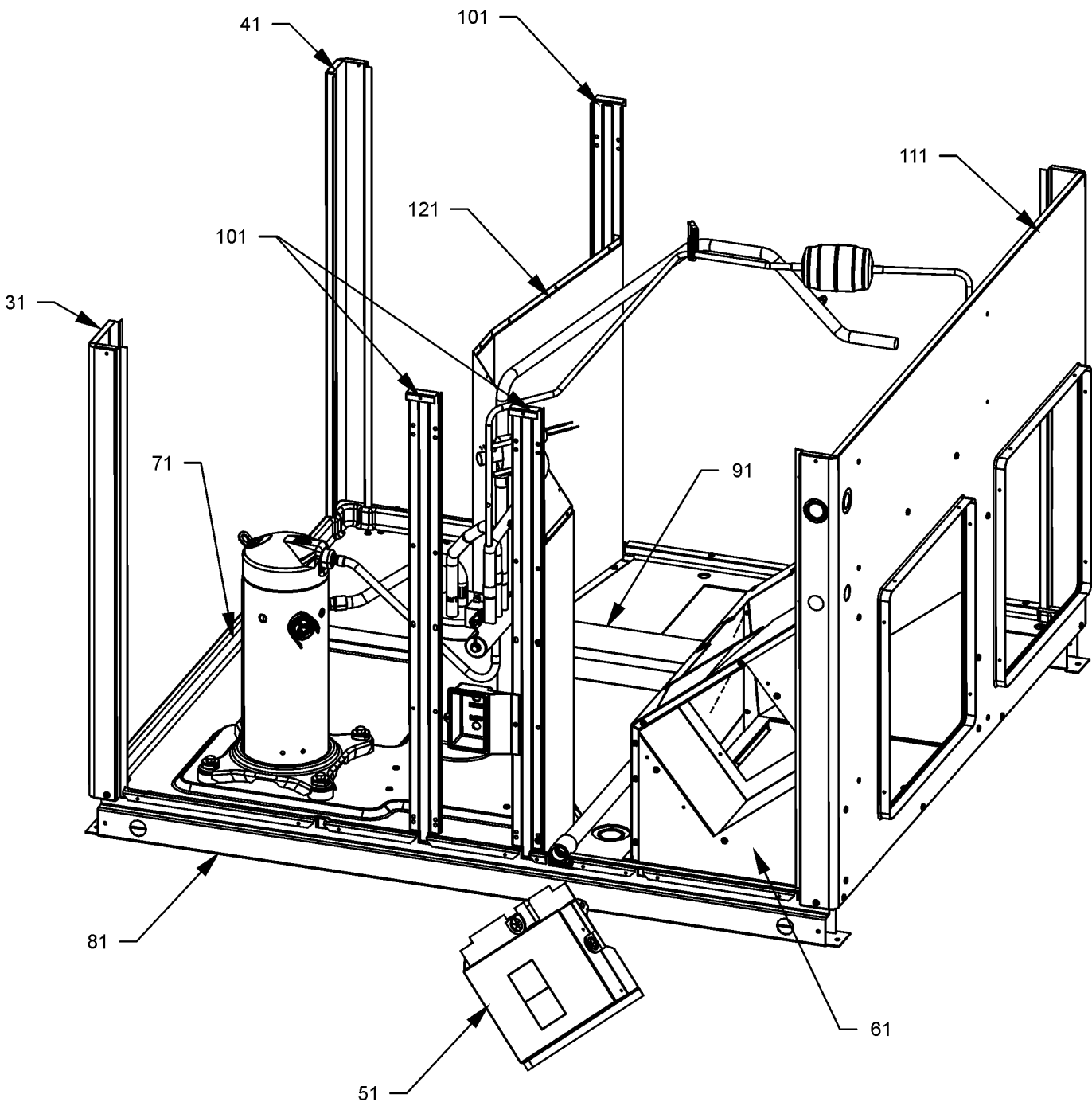
Expanded Model Nomenclature

M1 - GPH1324M41AB
M2 - GPH1330M41AB
M3 - GPH1336M41AB
M4 - GPH1336M43AA
M5 - GPH1342M41AB
M6 - GPH1348M41AB
M7 - GPH1348M43AA
M8 - GPH1360M41AB
M9 - GPH1360M43AA

Image 2:

32	0161G00001P	ACCESS FITTING BOX
42	B1373315	ACCESS FITTING (QTY 2)
52	0131M00062	BLOWER MOTOR 1/3 HP, 3 SP, 6 PL (M2)
52	0163G00000P	FASTEST FITTING NUT (QTY 2)
62	B9102097	CAP W/O-RING (QTY 2)

Panels and Supports



Panels and Supports

Ref. Part No:	No:	Description:	Ref. Part No:	No:	Description:
<i>Image 1:</i>					
31	20464201PDGS	CORNER POST-COMP END 32" (M1, M2, M3, M4, M5)			
31	20464202PDGS	CORNER POST-COMP END 40" (M6, M7, M8, M9)			
41	20464301PDGS	CORNER POST-HAIRPIN END 32" (M1, M2, M3, M4, M5)			
41	20464302PDGS	CORNER POST-HAIRPIN END 40" (M6, M7, M8, M9)			
51	0121G00221	HEATER KIT COVER (QTY 2)			
61	0221G00014	BLOWER TRANSITION ASSY (M6, M7, M8, M9)			
71	0121G00289	BASE PAN			
91	0161G00003	PLASTIC DRIP PAN			
101	0121G00208	SUPPORT POST 32" (M1, M2, M3, M4, M5)			
101	0121G00209	SUPPORT POST 40" (M6, M7, M8, M9)			
111	0260G00018PS	INSULATED ASSY, DUCT 32.5" (M1, M2, M3, M4, M5)			
111	0260G00019PS	INSULATED ASSY, DUCT 40" (M6, M7, M8, M9)			
121	0260G00020PS	INSULATED ASSY, PARTITION PANEL 32" (M1, M2, M3, M4, M5)			
121	0260G00021PS	INSULATED ASSY, PARTITION PANEL 40 (M6, M7, M8, M9)			
NS	0121G00158	EVAP BLOCK-OFF 32.5" (M5)			
NS	0121G00159	EVAP BLOCK-OFF 40" (M6, M7, M8, M9)			
NS	0121G00235	FAN BAFFLE			
NS	0121G00236	PL, HDR, COND 32", 1"C, 2 ROW (M3, M4, M5)			

Expanded Model Nomenclature

M1 - GPH1324M41AB
M2 - GPH1330M41AB
M3 - GPH1336M41AB
M4 - GPH1336M43AA
M5 - GPH1342M41AB
M6 - GPH1348M41AB
M7 - GPH1348M43AA
M8 - GPH1360M41AB
M9 - GPH1360M43AA

Tubing / Coil Assemblies

Image 1

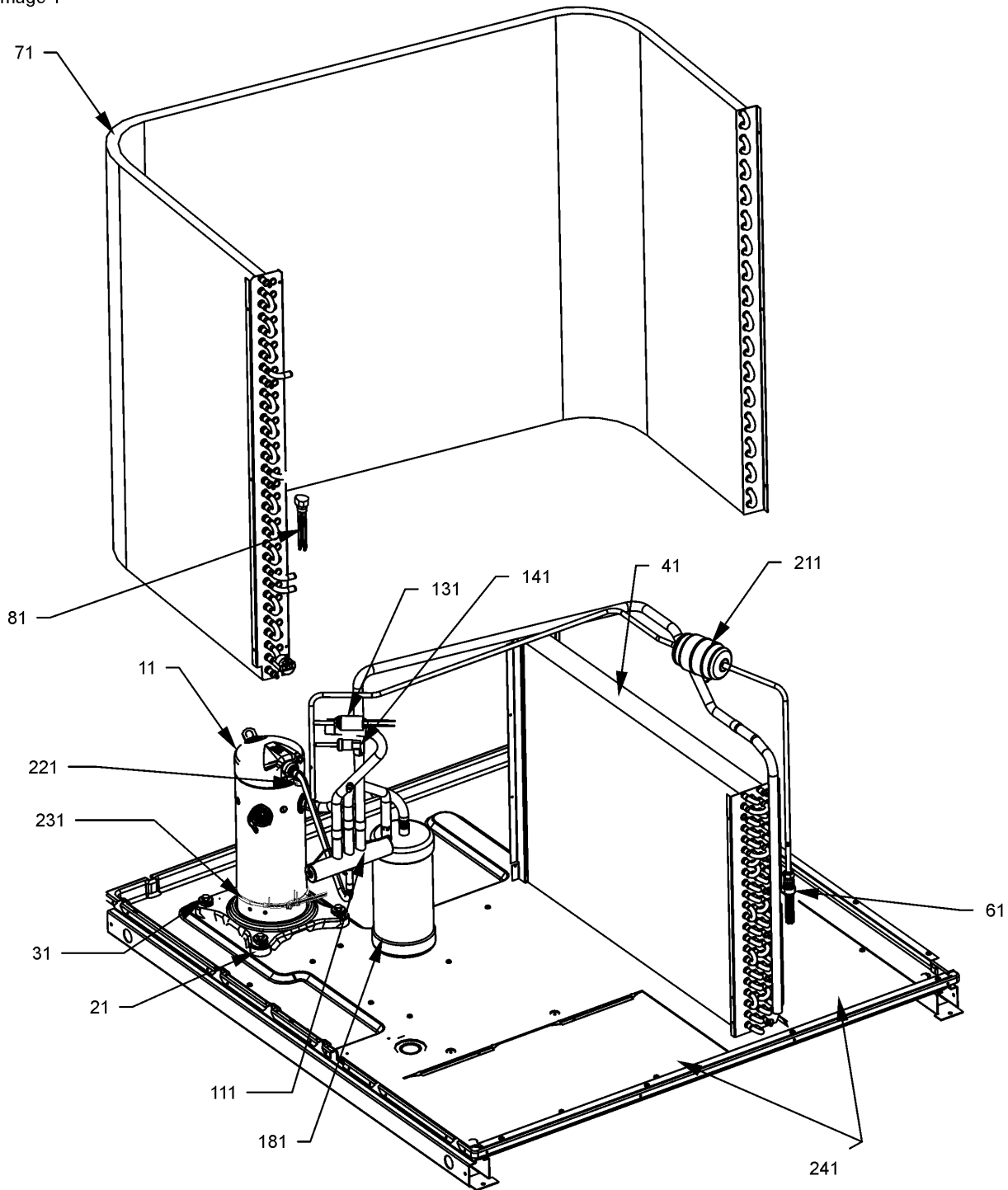
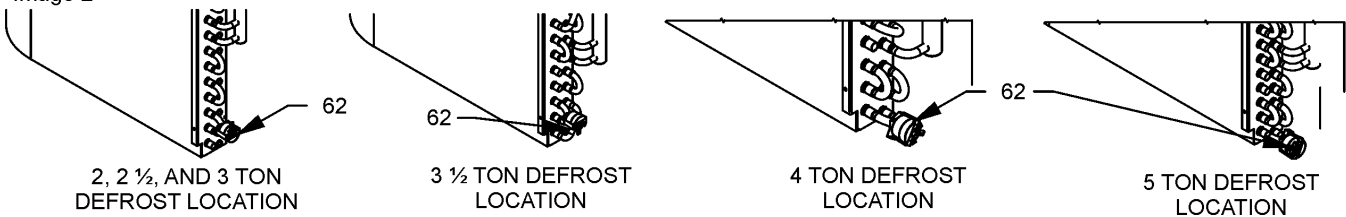


Image 2



Tubing / Coil Assemblies

Ref. Part No:	Ref. Part No:	Description:	Description:
<i>Image 1:</i>		<i>Image 1:</i>	
11	ZP28K5EPFV130	COMP, 28000, 208/230/60/1 (M2)	NS 0159G00002 HARNESS-COMP SCROLL (M1, M2, M3, M4, M5, M6)
11	ZP42K5ETF5130	COMP, 41900,200/230/60/3 (M7)	NS 0159G00005 HARNESS-COMP SCROLL (M8)
11	ZP42K5EPFV830	COMP, 42000, 208/230/60/1 (M6)	NS 0159G00007 HARNESS-COMP SCROLL (M4, M7, M9)
11	ZP21K5EPFV830	COMP,21300,208/230/60/1 (M1)	
11	ZP31K5EPFV830	COMPRESSOR 31100, 208/230/60/1 (M3)	<i>Image 2:</i>
11	ZP31K5ETF5830	COMPRESSOR 31200, 200/230/60/3 (M4)	62 0130M00057 DEFROST THERMOSTAT (M1, M2)
11	ZP36K5EPFV830	COMPRESSOR 36200, 208/230/60/1 (M5)	62 0130M00009P DEFROST THERMOSTAT OPEN 60°, CLOSE 34° (M3, M4, M5, M6, M7, M8, M9)
11	ZP51K5EPFV830	COMPRESSOR 51000, 208/230/60/1 (M8)	Expanded Model Nomenclature
11	ZP51K5ETF5830	COMPRESSOR 51000, 208/230/60/3 (M9)	M1 - GPH1324M41AB
21	B1339533	COMPRESSOR GROMMET (QTY 4)	M2 - GPH1330M41AB
31	M0221641	TF SHOULDER SCREW (QTY 4)	M3 - GPH1336M41AB
41	0202G00322	EVAP COIL ASSY (M1)	M4 - GPH1336M43AA
41	0202G00324	EVAP COIL ASSY (M3, M4)	M5 - GPH1342M41AB
41	0202G00326	EVAP COIL ASSY (M6, M7)	M6 - GPH1348M41AB
41	0202G00327	EVAP COIL ASSY (M2)	M7 - GPH1348M43AA
41	0202G00328	EVAP COIL ASSY (M5)	M8 - GPH1360M41AB
41	0202G00329	EVAP COIL ASSY (M8, M9)	M9 - GPH1360M43AA
61	0162M00117	FLOWRATOR .070 (M2)	
61	0162M00042	FLOWRATOR .071 [COND] (M9)	
61	0162M00132	FLOWRATOR [EVAP] (M1)	
61	0162M00136	FLOWRATOR [EVAP] (M5)	
61	0162M00139	FLOWRATOR [EVAP] (M3, M4)	
71	0201G00175	COND COIL ASSY (M5)	
71	0201G00176	COND COIL ASSY (M3, M4)	
71	0201G00177	COND COIL ASSY (M6, M7)	
71	0201G00180	COND COIL ASSY (M1, M2)	
71	0201G00181	COND COIL ASSY (M8, M9)	
71	0201G00238	COND COIL ASSY (M4)	
81	0162M00044	FLOWRATOR .076 [COND] (M8)	
81	0162M00131	FLOWRATOR [COND] (M1)	
81	0162M00133	FLOWRATOR [COND] (M2)	
81	0162M00137	FLOWRATOR [COND] (M5)	
81	0162M00138	FLOWRATOR [COND] (M6, M7)	
111	0151M00019S	REVERSING VALVE (M1, M2)	
111	0151M00021S	REVERSING VALVE (M3, M4, M5, M6, M7, M8, M9)	
131	0130M00074	HIGH PRESSURE SWITCH (M1, M2, M3, M5, M6, M8)	
141	0130M00075	LOW PRESSURE SWITCH	
181	B1226206	ACCUMULATOR (M1, M2)	
181	B1226207	ACCUMULATOR (M3, M4, M5, M6, M7, M8, M9)	
211	20485201	BI-FLOW FILTER DRIER	
221	0230G00005	CRANKCASE HEATER SWITCH (M7, M8, M9)	
231	0163R00003	HEATER, CRANKCASE 230V 40W (M7, M8, M9)	
241	0121G00148	SINGLE COVER, DOWN DISCHARGE (QTY 2)	
NS	0130R00045	CRANKCASE HEATER SWITCH (M4, M7, M8, M9)	

Control Panel / Blower Assembly

Image 1

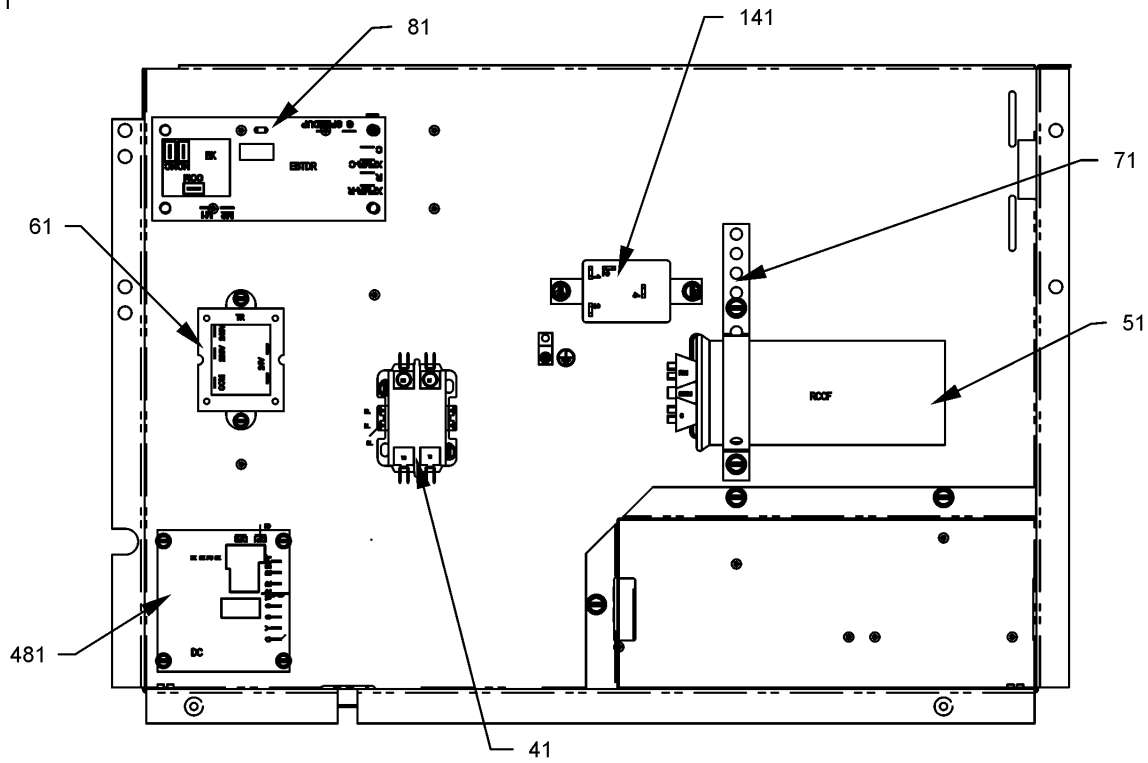
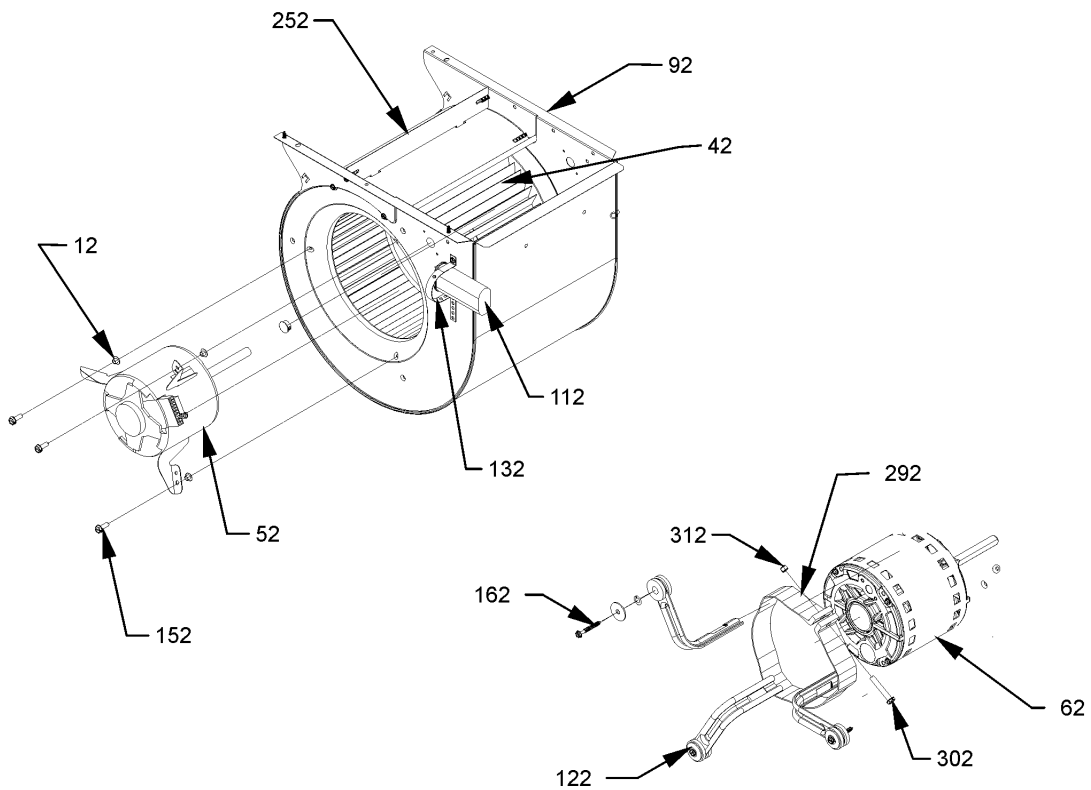


Image 2



Control Panel / Blower Assembly

Ref. Part No: No:	Description:	Ref. Part No: No:	Description:
-------------------	--------------	-------------------	--------------

Image 1:

41	CONT2P025024VS	CONTACTOR 25 AMP, 2P, 24V (M1, M2, M3, M5)
41	CONT3P025024VS	CONTACTOR 25 AMP, 3P, 24V (M4)
41	CONT2P040024VS	CONTACTOR 40 AMP, 2P, 24V (M6, M8)
41	CONT3P040024VS	CONTACTOR 40 AMP, 3P, 24V (M7, M9)
51	CAP050450440RTS	CAP, 5/45 MFD/440V/DUAL RD (M1, M2, M3, M5)
51	CAP050700440RTS	CAP,5/70 MFD/440V/DUAL RD (M6, M8)
51	CAP050000370VAS	CAPACITOR 5/370V (M4, M7, M9)
61	B1141643	TRANSFORMER 208/230, 24V
71	20520901	STRAP-CAPACITOR (M3, M4, M5, M6, M7, M9)
81	PCBFM131	ELECTRONIC BLOWER TIME DELAY RELAY (M1, M2, M3, M4, M5)
141	0130M00014	240 VOLT RELAY (M1, M2, M3, M4, M5)
291	0121M00038	MOTOR MOUNT BAND (M6, M7, M8, M9)
481	PCBDM133	PCB, DEFROST CONTROL
NS	0259G00058	BLOWER HARNESS (M7, M9)
NS	0259G00065	BLOWER HARNESS (M6, M8)
NS	0259G00097	HARNESS-ECONOMIZER (M4, M7, M9)
NS	0259G00094	WIRE HARN-ELECT HEAT (M1, M2, M3, M4, M5)
NS	0259G00070	WIRE HARNESS, ELECTRIC HEAT (M6, M7, M8, M9)

Expanded Model Nomenclature

M1 - GPH1324M41AB
M2 - GPH1330M41AB
M3 - GPH1336M41AB
M4 - GPH1336M43AA
M5 - GPH1342M41AB
M6 - GPH1348M41AB
M7 - GPH1348M43AA
M8 - GPH1360M41AB
M9 - GPH1360M43AA

Image 2:

12	B1392143	GROMMET, 26TAL F/TORSIN FLEX (M1, M2, M3, M4, M5)
42	D6723303S	BLOWER WHEEL
52	11091203S	BLOWER MOTOR 1/3 HP, 3 SP, 6 PL (M3, M4, M5)
52	11091207S	BLOWER MOTOR 1/4 HP, 3 SP, 8 PL (M1)
62	0131M00195	Motor - 1 HP Programmed Selec (M8, M9)
62	0131M00193	Motor - 3/4 HP Programmed Selc (M6, M7)
92	0271G00024S	BLOWER HOUSING ASSY 10 X 9
112	CAP100000370VAS	CAPACITOR 10/370V [BLOWER] (M1, M2, M3, M4, M5)
122	B1376857	MOTOR MOUNT ARM (M6, M7, M8, M9)
132	20520901	STRAP-CAPACITOR (M1, M2, M3, M4, M5)
152	M0250558	TC SCREW (QTY 3)
252	764742	BLOWER BLOCK-OFF
302	B1393323	MACHINE SCREW HWH 1/4-20 X 1-1/2 BZ (M6, M7, M8, M9)
312	B1393800	LOCKNUT, NYLON, INSERT 1/4, 20 (M6, M7, M8, M9)
NS	B821700	CAPACITOR BOOT (M1, M2, M3, M4, M5)

THIS PAGE INTENTIONALLY LEFT BLANK

Free Manuals Download Website

<http://myh66.com>

<http://usermanuals.us>

<http://www.somanuals.com>

<http://www.4manuals.cc>

<http://www.manual-lib.com>

<http://www.404manual.com>

<http://www.luxmanual.com>

<http://aubethermostatmanual.com>

Golf course search by state

<http://golfingnear.com>

Email search by domain

<http://emailbydomain.com>

Auto manuals search

<http://auto.somanuals.com>

TV manuals search

<http://tv.somanuals.com>