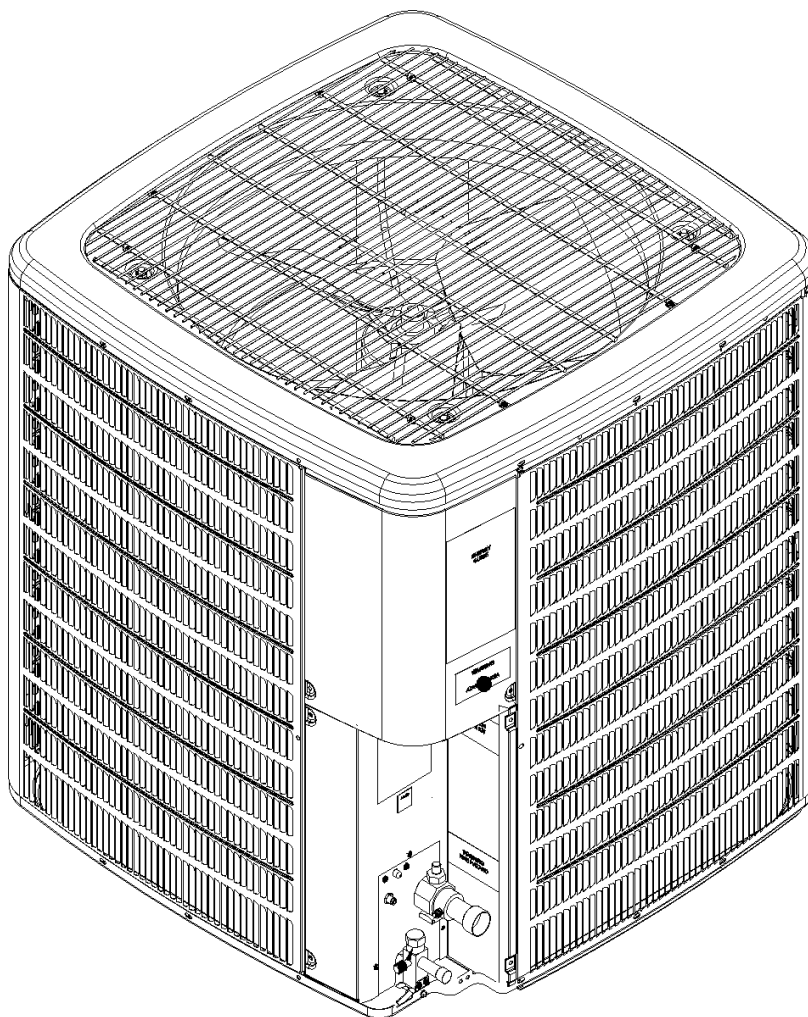


# REPAIR PARTS

## GSH 10 SEER Remote Heat Pumps

GSH100903AA  
GSH100903AB  
GSH100904AA  
GSH100904AB  
GSH101203AA  
GSH101203AB  
GSH101204AA  
GSH101204AB



This manual is to be used by qualified technicians only.

This manual replaces RP-364.

© 2009 Goodman Manufacturing Company, L.P. ♦ 5151 San Felipe, Suite 500 ♦ Houston, TX 77056

# Important Information

---

## Index

Functional Parts List .....	3
Illustration and Parts .....	4 - 9

*Views shown are for parts illustrations only, not servicing procedures.*

Rev. A: Added "AB" models.

### Text Codes:

AR - As Required

NA - Not Available

NS - Not Shown

00000000 - See Note

QTY - Quantity Example (QTY 3) (If Quantity not shown, Quantity = 1)

M - Model Example (M1) (If M Code not shown, then part is used on all Models)

### Expanded Model Nomenclature:

Example M1 - Model#1 M2 - Model#2 M3 - Model#3
---

Goodman Manufacturing Company, L.P. is not responsible for personal injury or property damage resulting from improper service. Review all service information before beginning repairs.

Warranty service must be performed by an authorized technician, using authorized factory parts. If service is required after the warranty expires, Goodman Manufacturing Company, L.P. also recommends contacting an authorized technician and using authorized factory parts.

Goodman Manufacturing Company, L.P. reserves the right to discontinue, or change at any time, specifications or designs without notice or without incurring obligations.

For assistance within the U.S.A. contact:  
Consumer Affairs Department  
Goodman Manufacturing Company, L.P.  
7401 Security Way  
Houston, Texas 77040  
877-254-4729-Telephone  
713-863-2382-Facsimile

For assistance outside the U.S.A. contact:  
International Division  
Goodman Manufacturing Company, L.P.  
7401 Security Way  
Houston, Texas 77040  
713-861-2500-Telephone  
713-863-2382-Facsimile

# Functional Parts

## Part

## No: Description:

---

0130M00025S	24V RELAY
CAP200000440RPS	CAPACITOR 20/370V
ZR108KCTF5950	COMPRESSOR 10900, 200/230/60/3 (M5, M6)
ZR108KCTFD950	COMPRESSOR 10900, 460/60/3 (M7, M8)
ZR84KCTF5950	COMPRESSOR 85500, 200/230/60/3 (M1, M2)
ZR84KCTFD950	COMPRESSOR 85500, 460/60/3 (M3, M4)
0131M00040S	COND MOTOR 1 HP, 1 SP, 230V (M1, M2, M5, M6)
0131M00041S	COND MOTOR 1 HP, 1 SP, 460V (M3, M4, M7, M8)
CONT3P040024VS	CONTACTOR
B1243749	CRANKCASE HEATER 240V, 75 WATTS (M1, M2, M5, M6)
B1243732	CRANKCASE HEATER 460V, 75 WATTS (M3, M4, M7, M8)
B1360721	CUT-OUT SWITCH, HIGH PRESSURE
B1360719	CUT-OUT SWITCH, LOW PRESSURE
PCBDM101S	DEFROST CONTROL BOARD
B1370803	DEFROST THERMOSTAT
B1225022S	SOLENOID COIL
B1225020	SOLENOID COIL CORD W/1/4"TERMINAL

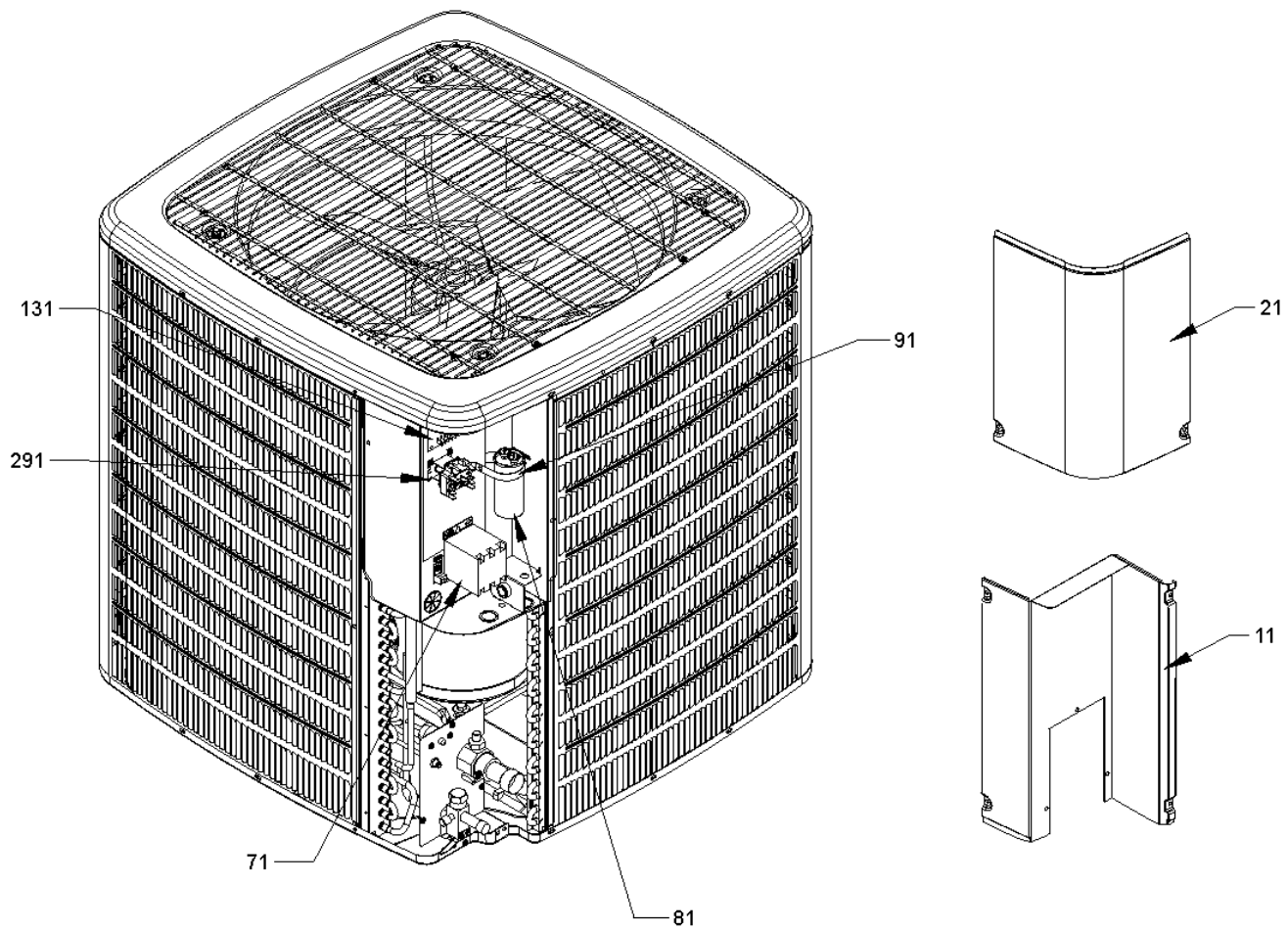
## SPECIAL PARTS

IO-229	INSTALLATION INSTRUCTIONS
0161R00009P	NAMEPLATE
RP-364A	REPAIR PARTS MANUAL
B1372801	SIGHT GLASS (M1, M2, M4, M6, M8)

## Expanded Model Nomenclature

M1 - GSH100903AA
M2 - GSH100903AB
M3 - GSH100904AA
M4 - GSH100904AB
M5 - GSH101203AA
M6 - GSH101203AB
M7 - GSH101204AA
M8 - GSH101204AB

# CONTROL COVER/CONTROL BOX



# CONTROL COVER/CONTROL BOX

Ref. Part No:	No:	Description:	Ref. Part No:	No:	Description:
---------------	-----	--------------	---------------	-----	--------------

---

Image 1:

11	4400211PDG	LOWER ACCESS PANEL (M5, M6, M7, M8)
11	4400212PDG	LOWER ACCESS PANEL (M1, M2, M3, M4)
21	0121R00053PDG	CONTROL COVER
71	CONT3P040024VS	CONTACTOR
81	CAP200000440RPS	CAPACITOR 20/370V
91	4400065	CAPACITOR STRAP
131	PCBDM101S	DEFROST CONTROL BOARD
291	0130M00025S	24V RELAY
NS	0161R00009P	NAMEPLATE

Expanded Model Nomenclature

M1 - GSH100903AA
M2 - GSH100903AB
M3 - GSH100904AA
M4 - GSH100904AB
M5 - GSH101203AA
M6 - GSH101203AB
M7 - GSH101204AA
M8 - GSH101204AB

# COMPRESSOR/TUBING ASSEMBLY

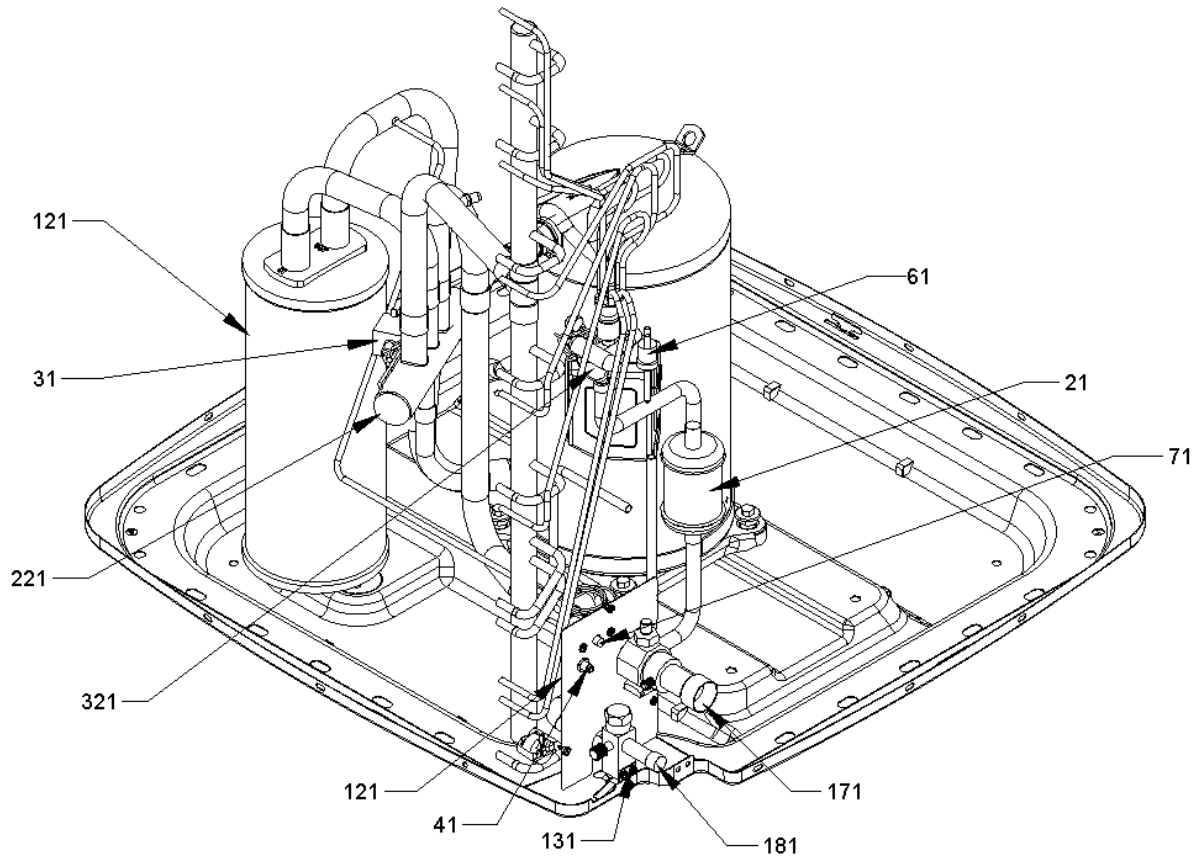


Image 1

Image 2

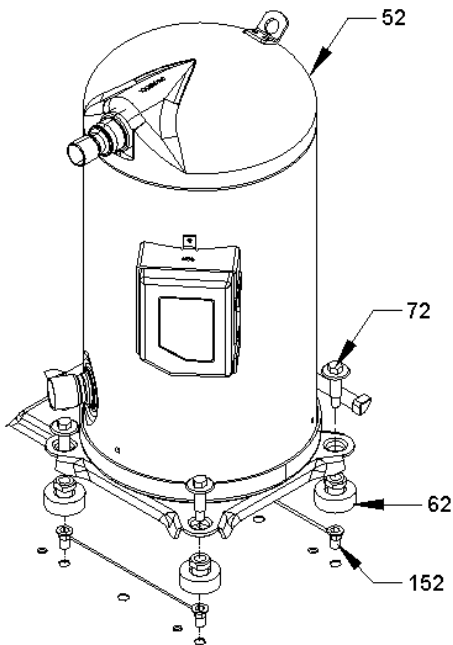
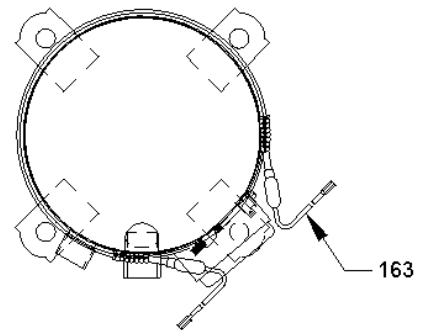


Image 3



TOP VIEW OF COMPRESSOR

# COMPRESSOR/TUBING ASSEMBLY

Ref. Part No:	Part No:	Description:	Ref. Part No:	Part No:	Description:
---------------	----------	--------------	---------------	----------	--------------

*Image 1:*

21	B1219227	FILTER DRIER (BI-FLOW)
31	B1225020	SOLENOID COIL CORD W/1/4"TERMINAL
41	B1787000	VALVE CORE
61	B1360719	CUT-OUT SWITCH, LOW PRESSURE
71	B1360721	CUT-OUT SWITCH, HIGH PRESSURE
121	B1226212	ACCUMULATOR
131	4400031	VALVE BRACKET
171	B1282574	1 1/8" SERVICE VALVE
181	B1282573	5/8" SERVICE VALVE
221	0151R00000P	VALVE, REVERSING (M5, M6, M7, M8)
221	0151R00001P	VALVE, REVERSING (M1, M2, M3, M4)
321	0151R00007	EXPANSION VALVE (M5, M6, M7, M8)
321	B3232211	EXPANSION VALVE (M1, M2, M3, M4)
421	4400220PDG	BALL VALVE MOUNTING PANEL
NS	B1372801	SIGHT GLASS (M1, M2, M4, M6, M8)
NS	B1225022S	SOLENOID COIL

*Image 2:*

52	ZR108KCTF5950	COMPRESSOR 10900, 200/230/60/3 (M5, M6)
52	ZR108KCTFD950	COMPRESSOR 10900, 460/60/3 (M7, M8)
52	ZR84KCTF5950	COMPRESSOR 85500, 200/230/60/3 (M1, M2)
52	ZR84KCTFD950	COMPRESSOR 85500, 460/60/3 (M3, M4)
62	B1339533	COMPRESSOR GROMMET (QTY 4)
72	B1393740	COMPRESSOR BOLT & SLEEVE (QTY 4)
152	B1393027	HEX NUT INSERT 5/16-18 (QTY 4)

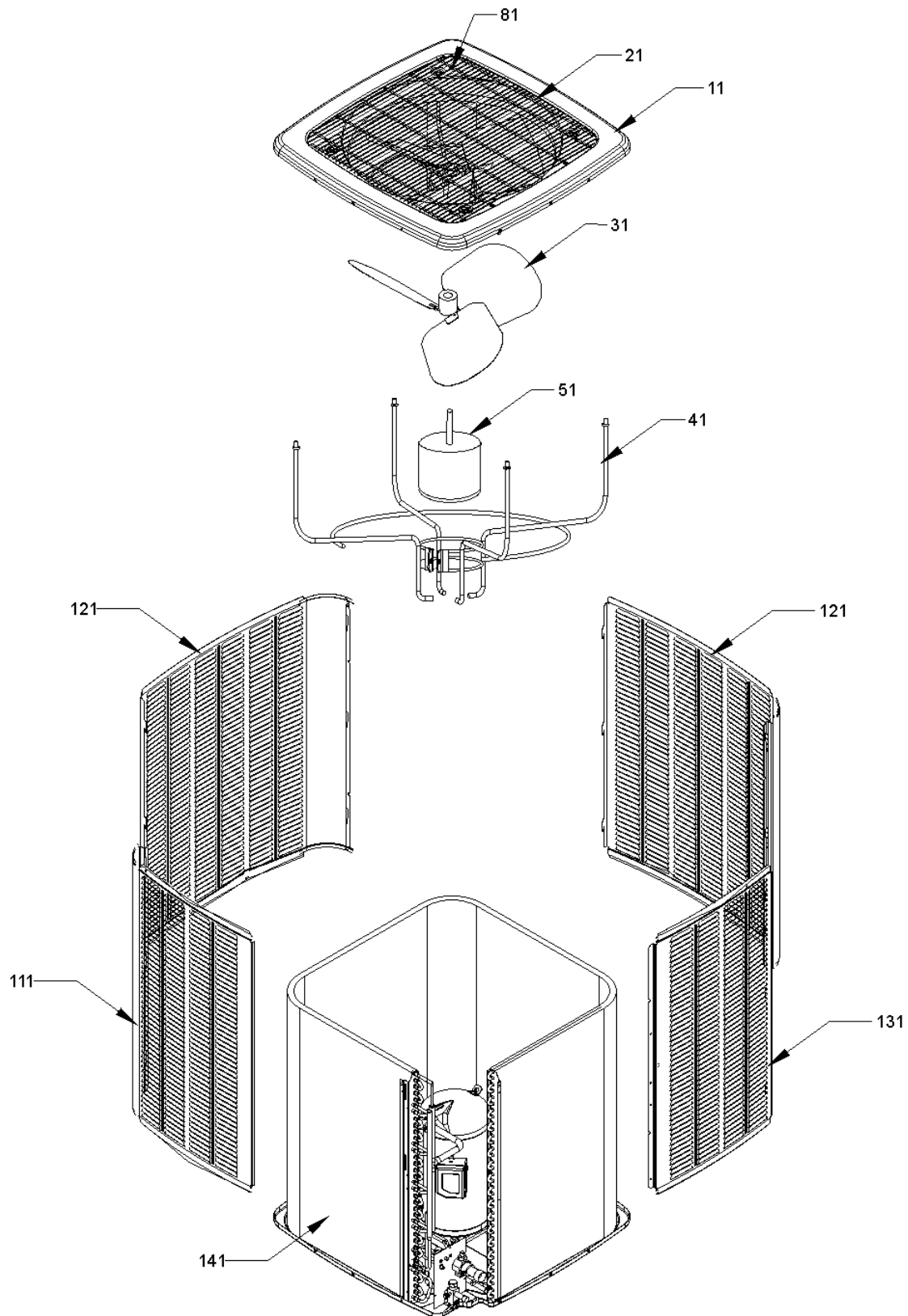
*Image 3:*

163	B1243749	CRANKCASE HEATER 240V, 75 WATTS (M1, M2, M5, M6)
163	B1243732	CRANKCASE HEATER 460V, 75 WATTS (M3, M4, M7, M8)

Expanded Model Nomenclature

M1 - GSH100903AA
M2 - GSH100903AB
M3 - GSH100904AA
M4 - GSH100904AB
M5 - GSH101203AA
M6 - GSH101203AB
M7 - GSH101204AA
M8 - GSH101204AB

# COIL/CABINET TOP/SIDE PANELS





# COIL/CABINET TOP/SIDE PANELS

Ref. Part No:	Part No:	Description:	Ref. Part No:	Part No:	Description:
---------------	----------	--------------	---------------	----------	--------------

Image 1:

11	0121R00013PDG	VENTURI TOP PANEL 35"
21	0152R00003	WIRE GRILL 35"
31	B1086768	FAN BLADE 26"
41	0121R00003	MOTOR MOUNT BRACKET
51	0131M00040S	COND MOTOR 1 HP, 1 SP, 230V (M1, M2, M5, M6)
51	0131M00041S	COND MOTOR 1 HP, 1 SP, 460V (M3, M4, M7, M8)
111	0121R00043PDGB	LOUVERED SIDE PANEL (M5, M6, M7, M8)
111	0121R00044PDGB	LOUVERED SIDE PANEL (M1, M2, M3, M4)
121	0121R00047PDGB	LOUVERED SIDE PANEL (M5, M6, M7, M8)
121	0121R00048PDGB	LOUVERED SIDE PANEL (M2, M4)
121	4400190PDG	LOUVERED SIDE PANEL (M1, M3)
131	0121R00051PDG	LOUVERED SIDE PANEL (M5, M6, M7, M8)
131	0121R00052PDG	LOUVERED SIDE PANEL (M1, M2, M3, M4)
141	0201R00083S	ASSY, SERVICE COIL (M1, M2, M3, M4)
141	0201R00085S	ASSY, SERVICE COIL (M5, M6, M7, M8)
241	B1370803	DEFROST THERMOSTAT

Expanded Model Nomenclature

M1 - GSH100903AA
M2 - GSH100903AB
M3 - GSH100904AA
M4 - GSH100904AB
M5 - GSH101203AA
M6 - GSH101203AB
M7 - GSH101204AA
M8 - GSH101204AB



## Free Manuals Download Website

<http://myh66.com>

<http://usermanuals.us>

<http://www.somanuals.com>

<http://www.4manuals.cc>

<http://www.manual-lib.com>

<http://www.404manual.com>

<http://www.luxmanual.com>

<http://aubethermostatmanual.com>

Golf course search by state

<http://golfingnear.com>

Email search by domain

<http://emailbydomain.com>

Auto manuals search

<http://auto.somanuals.com>

TV manuals search

<http://tv.somanuals.com>