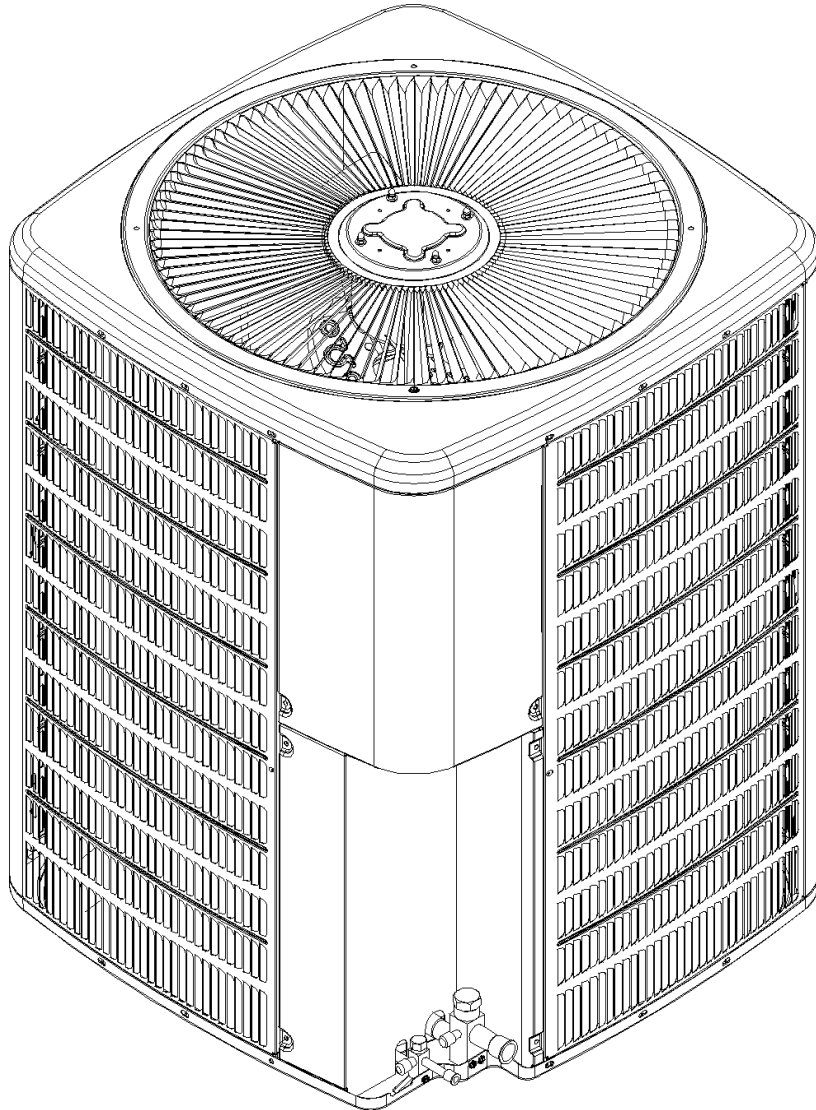


REPAIR PARTS

GSH13 Remote Heat Pumps

GSH130181AB
GSH130191AB
GSH130241AB
GSH130251AB
GSH130251AD
GSH130301AB
GSH130311AB
GSH130311AD
GSH130361AB
GSH130363AB
GSH130421AB
GSH130481AB
GSH130483AB
GSH130484AB
GSH130484AC
GSH130601AB
GSH130603AB
GSH130604AB
GSH130604AC



This manual is to be used by qualified technicians only.

This manual replaces RP-430B.

© 2009,2011 Goodman Manufacturing Company, L.P. ♦ 5151 San Felipe, Suite 500 ♦ Houston, TX 77056

Important Information

Index

| | |
|------------------------------|-------|
| Functional Parts List | 3 |
| Illustration and Parts | 4 - 9 |

Views shown are for parts illustrations only, not servicing procedures.

Text Codes:

AR - As Required

NA - Not Available

NS - Not Shown

00000000 - See Note

QTY - Quantity Example (QTY 3) (If Quantity not shown, Quantity = 1)

M - Model Example (M1) (If M Code not shown, then part is used on all Models)

Expanded Model Nomenclature:

| |
|---|
| Example M1 - Model#1 M2 - Model#2 M3 - Model#3 |
|---|

Goodman Manufacturing Company, L.P. is not responsible for personal injury or property damage resulting from improper service. Review all service information before beginning repairs.

Warranty service must be performed by an authorized technician, using authorized factory parts. If service is required after the warranty expires, Goodman Manufacturing Company, L.P. also recommends contacting an authorized technician and using authorized factory parts.

Goodman Manufacturing Company, L.P. reserves the right to discontinue, or change at any time, specifications or designs without notice or without incurring obligations.

For assistance within the U.S.A. contact:
Consumer Affairs Department
Goodman Manufacturing Company, L.P.
7401 Security Way
Houston, Texas 77040
877-254-4729-Telephone
713-863-2382-Facsimile

For assistance outside the U.S.A. contact:
International Division
Goodman Manufacturing Company, L.P.
7401 Security Way
Houston, Texas 77040
713-861-2500-Telephone
713-863-2382-Facsimile

Functional Parts

Part

No: Description:

Expanded Model Nomenclature

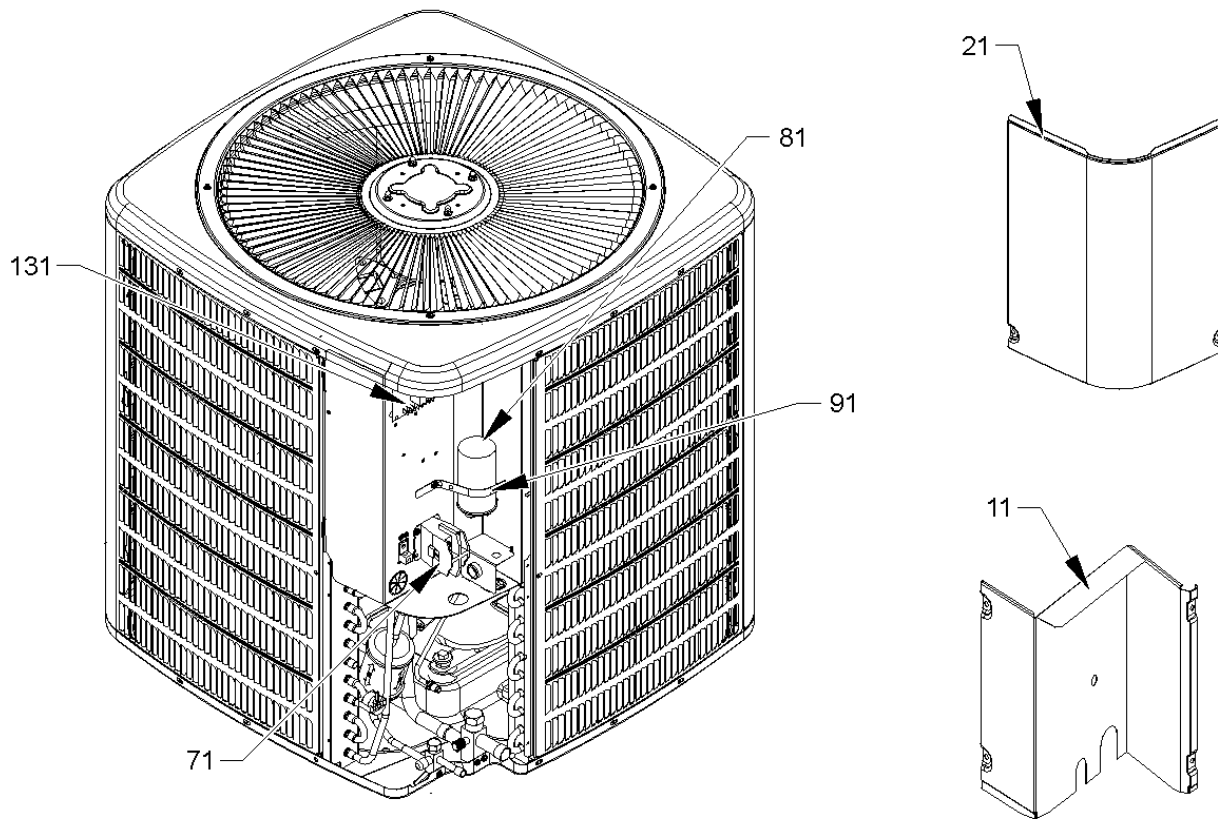
| | |
|-----------------|--|
| CAP050300440RSS | CAPACITOR 5/30/370V (M2, M3) |
| CAP050350440RSS | CAPACITOR 5/35/440V (M1, M4, M5, M7, M8, M9) |
| CAP050000370VAS | CAPACITOR 5/370V (M10, M13, M14, M15, M17, M18, M19) |
| CAP050400440RTS | CAPACITOR 5/40/440V (M6) |
| CAP050500440RTS | CAPACITOR 5/50/440V (M11) |
| CAP050550440RTS | CAPACITOR 5/55/440V (M12) |
| CAP050800440RTS | CAPACITOR 5/80/440V (M16) |
| ZR42K5TF5800 | COMP,40600,208/230/60/3 (M13) |
| ZR42K5TFD800 | COMP,40600,460/60/3 (M14, M15) |
| ZR54K5TF5800 | COMP,54200,200/230/60/3 (M17) |
| ZR54K5TFD800 | COMP,54500,460/60/3 (M18, M19) |
| CR14K7PFV970 | COMPRESSOR 14100, 208/230/60/1 (M1) |
| ZR16K4PFV930 | COMPRESSOR 16500, 208/230/60/1 (M2) |
| CR19K7PFV970 | COMPRESSOR 19300, 208/230/60/1 (M3) |
| ZR22K4PFV930 | COMPRESSOR 22000, 208/230/60/1 (M4, M5) |
| ZR24K4PFV930 | COMPRESSOR 24000, 208/230/60/1 (M7, M8) |
| CR24K7PFV970 | COMPRESSOR 24300, 208/230/60/1 (M6) |
| CR28K7TF5970 | COMPRESSOR 28000, 200/230/60/3 (M10) |
| CR28K7PFV970 | COMPRESSOR 28300, 208/230/60/1 (M9) |
| ZR36K3PFV930 | COMPRESSOR 36900, 208/230/60/1 (M11) |
| ZR40K3PFV930 | COMPRESSOR 40600, 208/230/60/1 (M12) |
| ZR52K3PFV930 | COMPRESSOR 52000, 208/230/60/1 (M16) |
| 0131M00007PS | COND MOTOR 1/4 HP, 1 SP, 6 PL (M9, M10, M11, M12, M13) |
| 0131M00022S | COND MOTOR 1/4 HP, 8 PL, 460V (M14, M15) |
| 0131M00060S | COND MOTOR 1/6 HP, 1 SP, 8 PL (M1, M2, M3, M4, M5, M6, M7, M8) |
| 0131M00012PS | COND MOTOR 1/6 HP, 1 SP, 8 PL (M16, M17) |
| 0131M00023S | COND MOTOR 1/6 HP, 8 PL, 460V (M18, M19) |
| CONT2P025024VS | CONTACTOR 25 AMP, 2P, 24V (M1, M2, M3, M4, M5, M6, M7, M8) |
| CONT3P025024VS | CONTACTOR 25 AMP, 3P, 24V (M10, M13, M14, M15, M17, M18, M19) |
| CONT2P030024VS | CONTACTOR 30 AMP, 2P, 24V (M9, M11, M12) |
| CONT2P040024VS | CONTACTOR 40 AMP, 2P, 24V (M16) |
| B1360719 | CUT-OUT SWITCH, LOW PRESSURE |
| PCBDM101S | DEFROST CONTROL BOARD |
| B1370803 | DEFROST THERMOSTAT |

| |
|-------------------|
| M1 - GSH130181AB |
| M2 - GSH130191AB |
| M3 - GSH130241AB |
| M4 - GSH130251AB |
| M5 - GSH130251AD |
| M6 - GSH130301AB |
| M7 - GSH130311AB |
| M8 - GSH130311AD |
| M9 - GSH130361AB |
| M10 - GSH130363AB |
| M11 - GSH130421AB |
| M12 - GSH130481AB |
| M13 - GSH130483AB |
| M14 - GSH130484AB |
| M15 - GSH130484AC |
| M16 - GSH130601AB |
| M17 - GSH130603AB |
| M18 - GSH130604AB |
| M19 - GSH130604AC |

SPECIAL PARTS

| | |
|-------------|-----------|
| 0161R00009P | NAMEPLATE |
|-------------|-----------|

Control Cover/Control Box



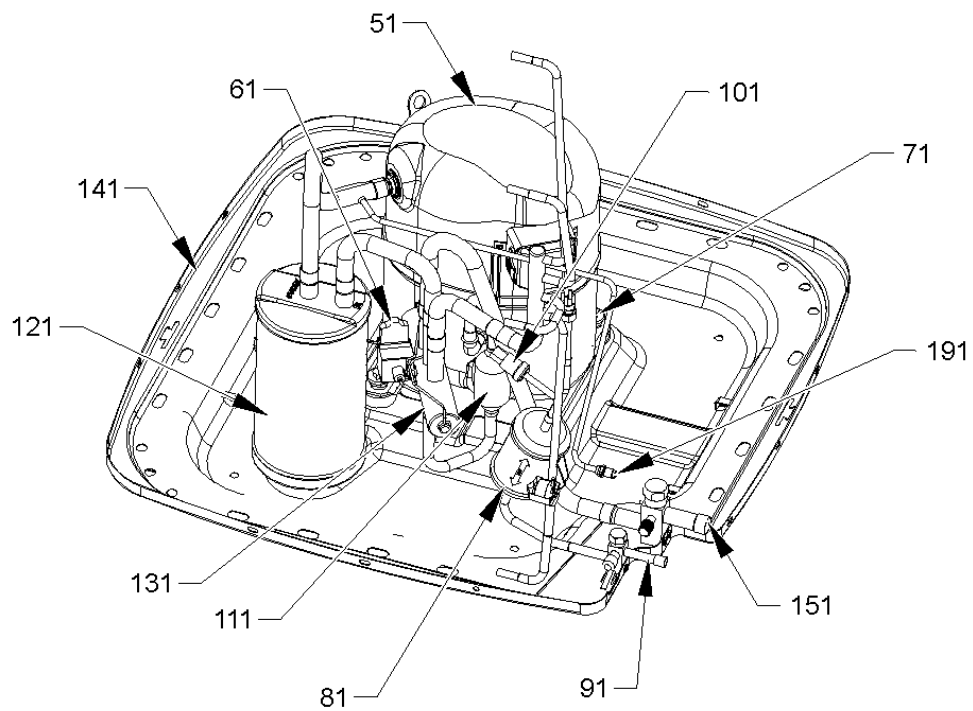
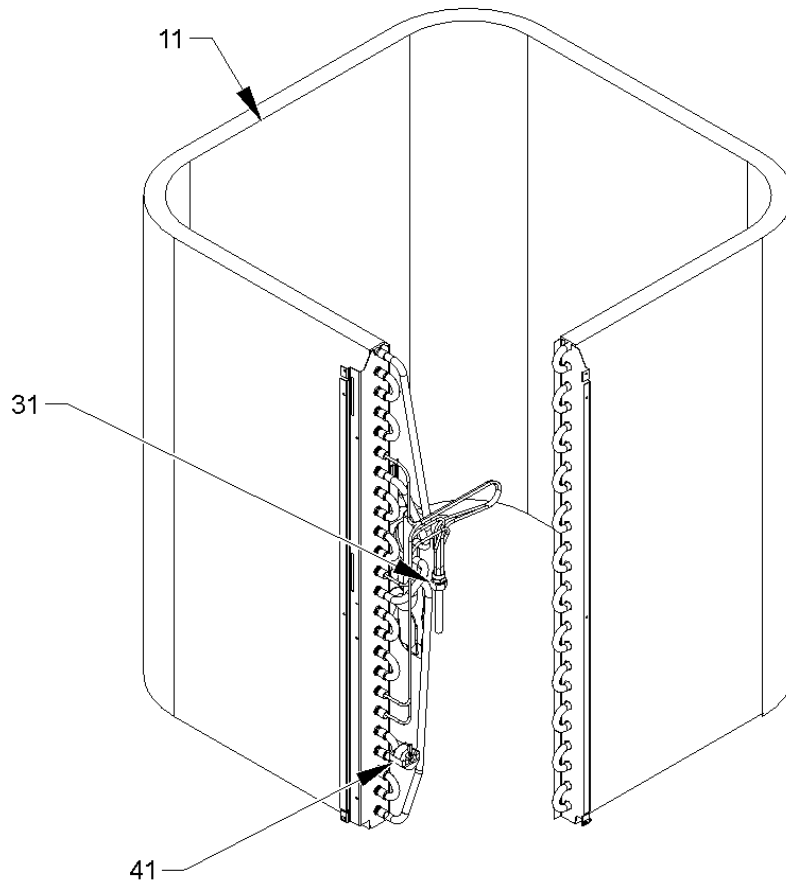
Control Cover/Control Box

| Ref. Part No: | No: | Description: | Ref. Part No: | No: | Description: |
|-----------------|-----------------|---|---------------|-----|--------------|
| <i>Image 1:</i> | | | | | |
| 11 | 4400201PDG | LOWER ACCESS PANEL (M1, M2, M4, M5, M11) | | | |
| 11 | 4400202PDG | LOWER ACCESS PANEL (M6, M7, M8, M12, M13, M14, M15, M16, M17, M18, M19) | | | |
| 11 | 4400203PDG | LOWER ACCESS PANEL (M3) | | | |
| 11 | 4400205PDG | LOWER ACCESS PANEL (M9, M10) | | | |
| 21 | 0121R00053PDG | CONTROL COVER | | | |
| 71 | CONT2P025024VS | CONTACTOR 25 AMP, 2P, 24V (M1, M2, M3, M4, M5, M6, M7, M8) | | | |
| 71 | CONT3P025024VS | CONTACTOR 25 AMP, 3P, 24V (M10, M13, M14, M15, M17, M18, M19) | | | |
| 71 | CONT2P030024VS | CONTACTOR 30 AMP, 2P, 24V (M9, M11, M12) | | | |
| 71 | CONT2P040024VS | CONTACTOR 40 AMP, 2P, 24V (M16) | | | |
| 81 | CAP050300440RSS | CAPACITOR 5/30/370V (M2, M3) | | | |
| 81 | CAP050350440RSS | CAPACITOR 5/35/440V (M1, M4, M5, M7, M8, M9) | | | |
| 81 | CAP050000370VAS | CAPACITOR 5/370V (M10, M13, M14, M15, M17, M18, M19) | | | |
| 81 | CAP050400440RTS | CAPACITOR 5/40/440V (M6) | | | |
| 81 | CAP050500440RTS | CAPACITOR 5/50/440V (M11) | | | |
| 81 | CAP050550440RTS | CAPACITOR 5/55/440V (M12) | | | |
| 81 | CAP050800440RTS | CAPACITOR 5/80/440V (M16) | | | |
| 91 | 4400065 | CAPACITOR STRAP | | | |
| 131 | PCBDM101S | DEFROST CONTROL BOARD | | | |
| NS | 0161R00009P | NAMEPLATE | | | |

Expanded Model Nomenclature

| |
|-------------------|
| M1 - GSH130181AB |
| M2 - GSH130191AB |
| M3 - GSH130241AB |
| M4 - GSH130251AB |
| M5 - GSH130251AD |
| M6 - GSH130301AB |
| M7 - GSH130311AB |
| M8 - GSH130311AD |
| M9 - GSH130361AB |
| M10 - GSH130363AB |
| M11 - GSH130421AB |
| M12 - GSH130481AB |
| M13 - GSH130483AB |
| M14 - GSH130484AB |
| M15 - GSH130484AC |
| M16 - GSH130601AB |
| M17 - GSH130603AB |
| M18 - GSH130604AB |
| M19 - GSH130604AC |

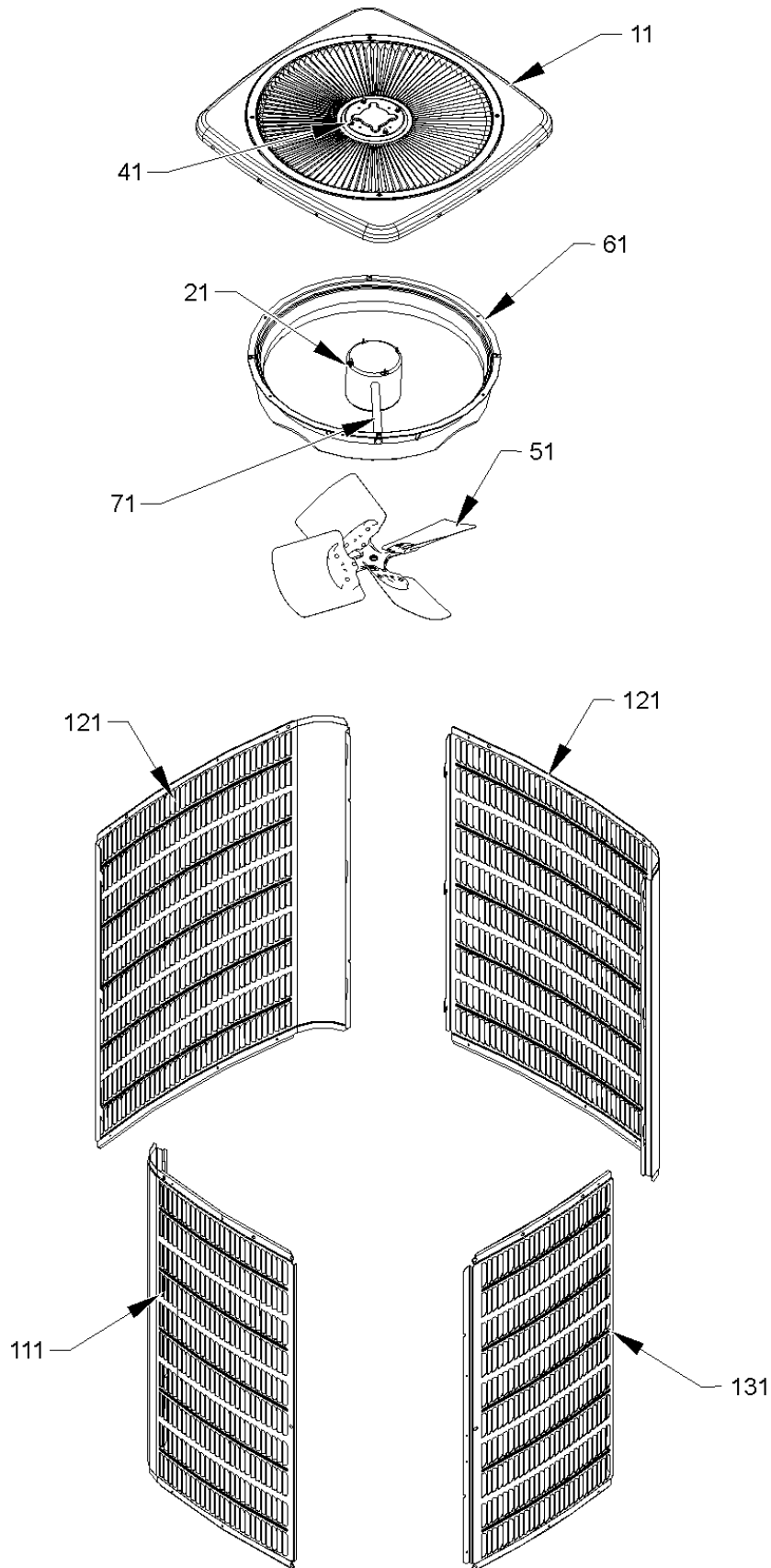
Basepan/Tubing Assembly



Basepan/Tubing Assembly

| Ref. Part No: | No: | Description: | Ref. Part No: | No: | Description: |
|-----------------|---------------|---|-----------------------------|----------|--|
| <i>Image 1:</i> | | | <i>Image 1:</i> | | |
| 11 | 0201R00053S | TUBING ASSY, COND COIL (M17, M18, M19) | NS | B1339530 | COMPRESSOR GROMMET (M1, M3, M6, M9, M10) |
| 11 | 0201R00058S | TUBING ASSY, COND COIL (M4, M5) | NS | B1339533 | COMPRESSOR GROMMET (M2, M4, M5, M7, M8, M11, M12, M13, M14, M15, M16, M17, M18, M19) |
| 11 | 0201R00066S | TUBING ASSY, COND COIL (M7, M8) | NS | B1789852 | FLOW CHECK PISTON KIT .052 (M1, M2) |
| 11 | 0201R00068S | TUBING ASSY, COND COIL (M12, M13, M14, M15) | NS | B1789861 | FLOW CHECK PISTON KIT .061 (M3, M4, M5) |
| 11 | 0201R00070S | TUBING ASSY, COND COIL (M11) | NS | B1789865 | FLOW CHECK PISTON KIT .065 (M7, M8) |
| 11 | 1362200 | TUBING ASSY, COND COIL (M1, M2) | NS | B1789868 | FLOW CHECK PISTON KIT .068 (M6) |
| 11 | 1362202 | TUBING ASSY, COND COIL (M6) | NS | B1789873 | FLOW CHECK PISTON KIT .073 (M9, M10) |
| 11 | 1362203 | TUBING ASSY, COND COIL (M9, M10) | NS | B1789882 | FLOW CHECK PISTON KIT .082 (M11) |
| 11 | 1362206 | TUBING ASSY, COND COIL (M16) | NS | B1789884 | FLOW CHECK PISTON KIT .084 (M12, M13, M14, M15) |
| 11 | 1362207 | TUBING ASSY, COND COIL (M3) | NS | B1789893 | FLOW CHECK PISTON KIT .093 (M17, M18, M19) |
| 41 | B1370803 | DEFROST THERMOSTAT | Expanded Model Nomenclature | | |
| 51 | ZR42K5TF5800 | COMP,40600,208/230/60/3 (M13) | | | |
| 51 | ZR42K5TFD800 | COMP,40600,460/60/3 (M14, M15) | | | |
| 51 | ZR54K5TF5800 | COMP,54200,200/230/60/3 (M17) | | | |
| 51 | ZR54K5TFD800 | COMP,54500,460/60/3 (M18, M19) | | | |
| 51 | CR14K7PFV970 | COMPRESSOR 14100, 208/230/60/1 (M1) | | | |
| 51 | ZR16K4PFV930 | COMPRESSOR 16500, 208/230/60/1 (M2) | | | |
| 51 | CR19K7PFV970 | COMPRESSOR 19300, 208/230/60/1 (M3) | | | |
| 51 | ZR22K4PFV930 | COMPRESSOR 22000, 208/230/60/1 (M4, M5) | | | |
| 51 | ZR24K4PFV930 | COMPRESSOR 24000, 208/230/60/1 (M7, M8) | | | |
| 51 | CR24K7PFV970 | COMPRESSOR 24300, 208/230/60/1 (M6) | | | |
| 51 | CR28K7TF5970 | COMPRESSOR 28000, 200/230/60/3 (M10) | | | |
| 51 | CR28K7PFV970 | COMPRESSOR 28300, 208/230/60/1 (M9) | | | |
| 51 | ZR36K3PFV930 | COMPRESSOR 36900, 208/230/60/1 (M11) | | | |
| 51 | ZR40K3PFV930 | COMPRESSOR 40600, 208/230/60/1 (M12) | | | |
| 51 | ZR52K3PFV930 | COMPRESSOR 52000, 208/230/60/1 (M16) | | | |
| 61 | B1225020 | SOLENOID COIL CORD W/1/4"TERMINAL | | | |
| 71 | M0221641 | TF SHOULDER SCREW (QTY 4) | | | |
| 81 | 20485201 | BI-FLOW FILTER DRIER | | | |
| 91 | B12825171 | 3/8" SERVICE VALVE | | | |
| 101 | B1360719 | CUT-OUT SWITCH, LOW PRESSURE | | | |
| 111 | B1219301 | MUFFLER 1/2 X 1/2 (M1, M3, M5, M6, M8, M9, M10) | | | |
| 121 | B1226206 | ACCUMULATOR (M1, M2, M3, M4, M5, M6, M7, M8) | | | |
| 121 | B1226207 | ACCUMULATOR .875 (M9, M10, M11, M12, M13, M14, M15, M16, M17, M18, M19) | | | |
| 131 | 0151M00018S | REVERSING VALVE (M1, M2, M3, M4, M5) | | | |
| 131 | 0151M00019S | REVERSING VALVE (M6, M7, M8) | | | |
| 131 | 0151M00020S | REVERSING VALVE (M9, M10, M11, M12, M13, M14, M15, M16, M17, M18, M19) | | | |
| 141 | 0121R00006PDG | BASE PAN 29" (M1, M2, M3, M4, M5, M6, M7, M8, M9, M10, M11, M12, M13, M14, M15) | | | |
| 141 | 0121R00007PDG | BASE PAN 35" (M16, M17, M18, M19) | | | |
| 151 | 0151R00032 | VALVE, BASE 3/4" OPEN LEFT (M1, M2, M3, M4, M5, M6, M7, M8) | | | |
| 151 | 0151R00033 | VALVE, BASE 7/8" OPEN LEFT (M9, M10, M11, M12, M13, M14, M15, M16, M17, M18, M19) | | | |
| 191 | B1392135 | VALVE CORE | | | |

Cabinet Top/Side Panels



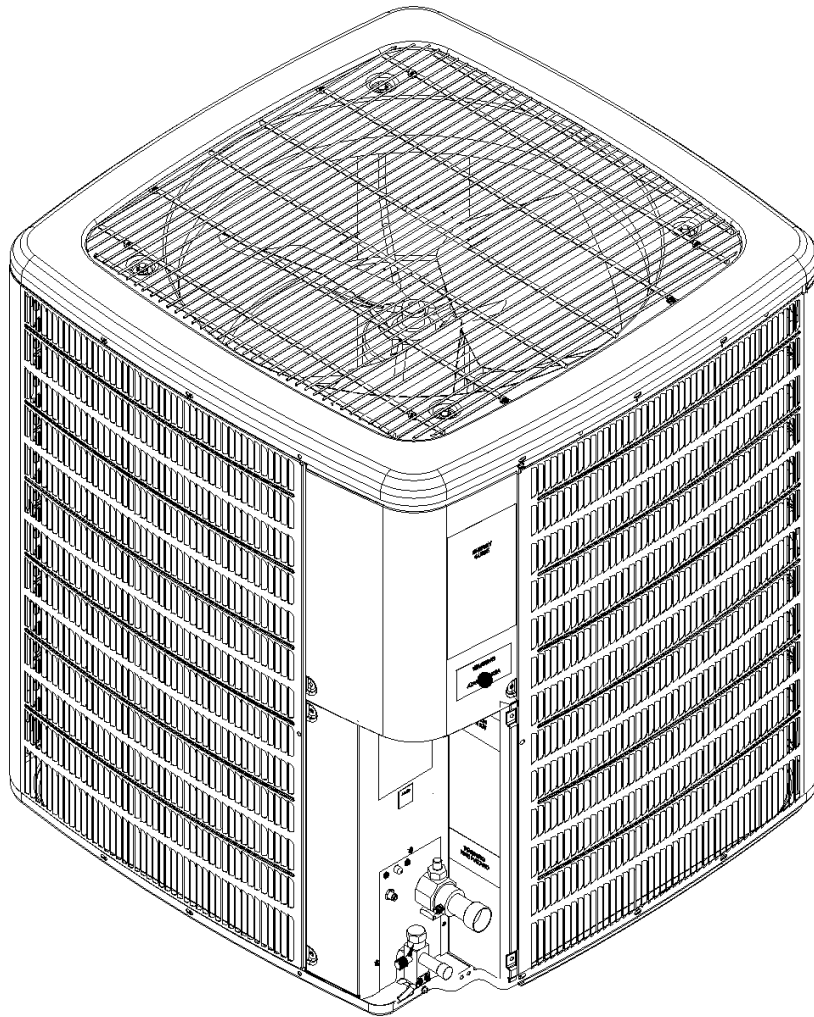
Cabinet Top/Side Panels

| Ref. Part No: | No: | Description: | Ref. Part No: | No: | Description: |
|-----------------|----------------|---|-----------------------------|-------------|--------------|
| <i>Image 1:</i> | | | Expanded Model Nomenclature | | |
| 11 | 0121R00010PDGS | PANEL, TOP 29" PNT (M1, M2, M3, M4, M5, M6, M7, M8, M9, M10, M11, M12, M13, M14, M15) | M1 - | GSH130181AB | |
| 11 | 0121R00012PDG | TOP PANEL 35" (M16, M17, M18, M19) | M2 - | GSH130191AB | |
| 21 | 0131M00007PS | COND MOTOR 1/4 HP, 1 SP, 6 PL (M9, M10, M11, M12, M13) | M3 - | GSH130241AB | |
| 21 | 0131M00022S | COND MOTOR 1/4 HP, 8 PL, 460V (M14, M15) | M4 - | GSH130251AB | |
| 21 | 0131M00012PS | COND MOTOR 1/6 HP, 1 SP, 8 PL (M16, M17) | M5 - | GSH130251AD | |
| 21 | 0131M00060S | COND MOTOR 1/6 HP, 1 SP, 8 PL (M1, M2, M3, M4, M5, M6, M7, M8) | M6 - | GSH130301AB | |
| 21 | 0131M00023S | COND MOTOR 1/6 HP, 8 PL, 460V (M18, M19) | M7 - | GSH130311AB | |
| 41 | 0163M00006P | ACORN NUT 5/16 HEX BLACK (QTY 4) | M8 - | GSH130311AD | |
| 51 | 0150M00016S | FAN BLADE (M1) | M9 - | GSH130361AB | |
| 51 | 0150M00007S | FAN BLADE 22" (M9, M10, M11) | M10 - | GSH130363AB | |
| 51 | B1086775S | FAN BLADE 22" (M2, M3, M4, M5, M6, M7, M8, M12, M13) | M11 - | GSH130421AB | |
| 51 | 0150M00008S | FAN BLADE 22" TNT2203-25 (M14, M15) | M12 - | GSH130481AB | |
| 51 | 10625738S | FAN BLADE 26" ALUM C CW (M16, M17, M18, M19) | M13 - | GSH130483AB | |
| 61 | 0161L00000 | VENTURI RING 22" (M1, M2, M3, M4, M5, M6, M7, M8, M9, M10, M11, M12, M13, M14, M15) | M14 - | GSH130484AB | |
| 61 | 0161R00007P | VENTURI RING 35" (M16, M17, M18, M19) | M15 - | GSH130484AC | |
| 71 | 0161R00002P | CONDUIT (M1, M2, M3, M4, M5, M6, M7, M8, M9, M10, M11, M12, M13, M14, M15) | M16 - | GSH130601AB | |
| 71 | 0161R00004P | CONDUIT (M16, M17, M18, M19) | M17 - | GSH130603AB | |
| 111 | 0121R00026PDGB | LOUVERED SIDE PANEL (M3) | M18 - | GSH130604AB | |
| 111 | 0121R00024PDGB | LOUVERED SIDE PANEL [LT OF CNTL PNL] (M1, M2, M4, M5, M11) | M19 - | GSH130604AC | |
| 111 | 0121R00025PDGB | LOUVERED SIDE PANEL [LT OF CNTL PNL] (M6, M7, M8, M12, M13, M14, M15) | | | |
| 111 | 0121R00027PDGB | LOUVERED SIDE PANEL [LT OF CNTL PNL] (M9, M10) | | | |
| 111 | 0121R00042PDGB | LOUVERED SIDE PANEL [LT OF CNTL PNL] (M16, M17, M18, M19) | | | |
| 121 | 0121R00030PDGB | LOUVERED SIDE PANEL (M1, M2, M4, M5, M11) | | | |
| 121 | 0121R00031PDGB | LOUVERED SIDE PANEL (M6, M7, M8, M12, M13, M14, M15) | | | |
| 121 | 0121R00032PDGB | LOUVERED SIDE PANEL (M3) | | | |
| 121 | 0121R00033PDGB | LOUVERED SIDE PANEL (M9, M10) | | | |
| 121 | 0121R00046PDGB | LOUVERED SIDE PANEL (M16, M17, M18, M19) | | | |
| 131 | 0121R00038PDG | LOUVERED SIDE PANEL (M3, M9, M10) | | | |
| 131 | 0121R00036PDG | LOUVERED SIDE PANEL [RT OF CNTL PNL] (M1, M2, M4, M5, M11) | | | |
| 131 | 0121R00037PDG | LOUVERED SIDE PANEL [RT OF CNTL PNL] (M6, M7, M8, M12, M13, M14, M15) | | | |
| 131 | 0121R00050PDG | LOUVERED SIDE PANEL [RT OF CNTL PNL] (M16, M17, M18, M19) | | | |

REPAIR PARTS

GSH 10 SEER

GSH100903AA
GSH100903AB
GSH100903BA
GSH100904AA
GSH100904AB
GSH100904BA
GSH101203AA
GSH101203AB
GSH101203AD
GSH101204AA
GSH101204AB
GSH101204AC



This manual is to be used by qualified technicians only.

This manual replaces RP-364A

© 2009,2011 Goodman Manufacturing Company, L.P. ♦ 5151 San Felipe, Suite 500 ♦ Houston, TX 77056

Important Information

Index

| | |
|------------------------------|-------|
| Functional Parts List | 3 |
| Illustration and Parts | 4 - 9 |

Views shown are for parts illustrations only, not servicing procedures.

Text Codes:

AR - As Required

NA - Not Available

NS - Not Shown

00000000 - See Note

QTY - Quantity Example (QTY 3) (If Quantity not shown, Quantity = 1)

M - Model Example (M1) (If M Code not shown, then part is used on all Models)

Expanded Model Nomenclature:

| |
|---|
| Example M1 - Model#1 M2 - Model#2 M3 - Model#3 |
|---|

Goodman Manufacturing Company, L.P. is not responsible for personal injury or property damage resulting from improper service. Review all service information before beginning repairs.

Warranty service must be performed by an authorized technician, using authorized factory parts. If service is required after the warranty expires, Goodman Manufacturing Company, L.P. also recommends contacting an authorized technician and using authorized factory parts.

Goodman Manufacturing Company, L.P. reserves the right to discontinue, or change at any time, specifications or designs without notice or without incurring obligations.

For assistance within the U.S.A. contact:
Consumer Affairs Department
Goodman Manufacturing Company, L.P.
7401 Security Way
Houston, Texas 77040
877-254-4729-Telephone
713-863-2382-Facsimile

For assistance outside the U.S.A. contact:
International Division
Goodman Manufacturing Company, L.P.
7401 Security Way
Houston, Texas 77040
713-861-2500-Telephone
713-863-2382-Facsimile

Functional Parts

Part

No: Description:

| | |
|-----------------|---|
| 0130M00025S | 24V RELAY |
| CAP200000440RPS | CAPACITOR 20/370V |
| ZR108KCTF5950 | COMPRESSOR 10900, 200/230/60/3 (M7, M8, M9) |
| ZR108KCTFD950 | COMPRESSOR 10900, 460/60/3 (M10, M11, M12) |
| ZR84KCTF5950 | COMPRESSOR 85500, 200/230/60/3 (M1, M2, M3) |
| ZR84KCTFD950 | COMPRESSOR 85500, 460/60/3 (M4, M5, M6) |
| 0131M00040S | COND MOTOR 1 HP, 1 SP, 230V (M1, M2, M3, M7, M8, M9) |
| 0131M00041S | COND MOTOR 1 HP, 1 SP, 460V (M4, M5, M6, M10, M11, M12) |
| CONT3P040024VS | CONTACTOR 40 AMP, 3P, 24V |
| B1243732 | CRANKCASE HEATER 460V, 75 WATTS (M4, M5, M6, M10, M11, M12) |
| B1243731 | CRANKCASE HEATER 75W, 240V (M1, M2, M3, M7, M8, M9) |
| B1360721 | CUT-OUT SWITCH, HIGH PRESSURE |
| B1360719 | CUT-OUT SWITCH, LOW PRESSURE |
| PCBDM101S | DEFROST CONTROL BOARD (M3, M6, M9, M12) |
| B1370803 | DEFROST THERMOSTAT |
| B1225020 | SOLENOID COIL CORD W/1/4"TERMINAL (M1, M2, M4, M5) |

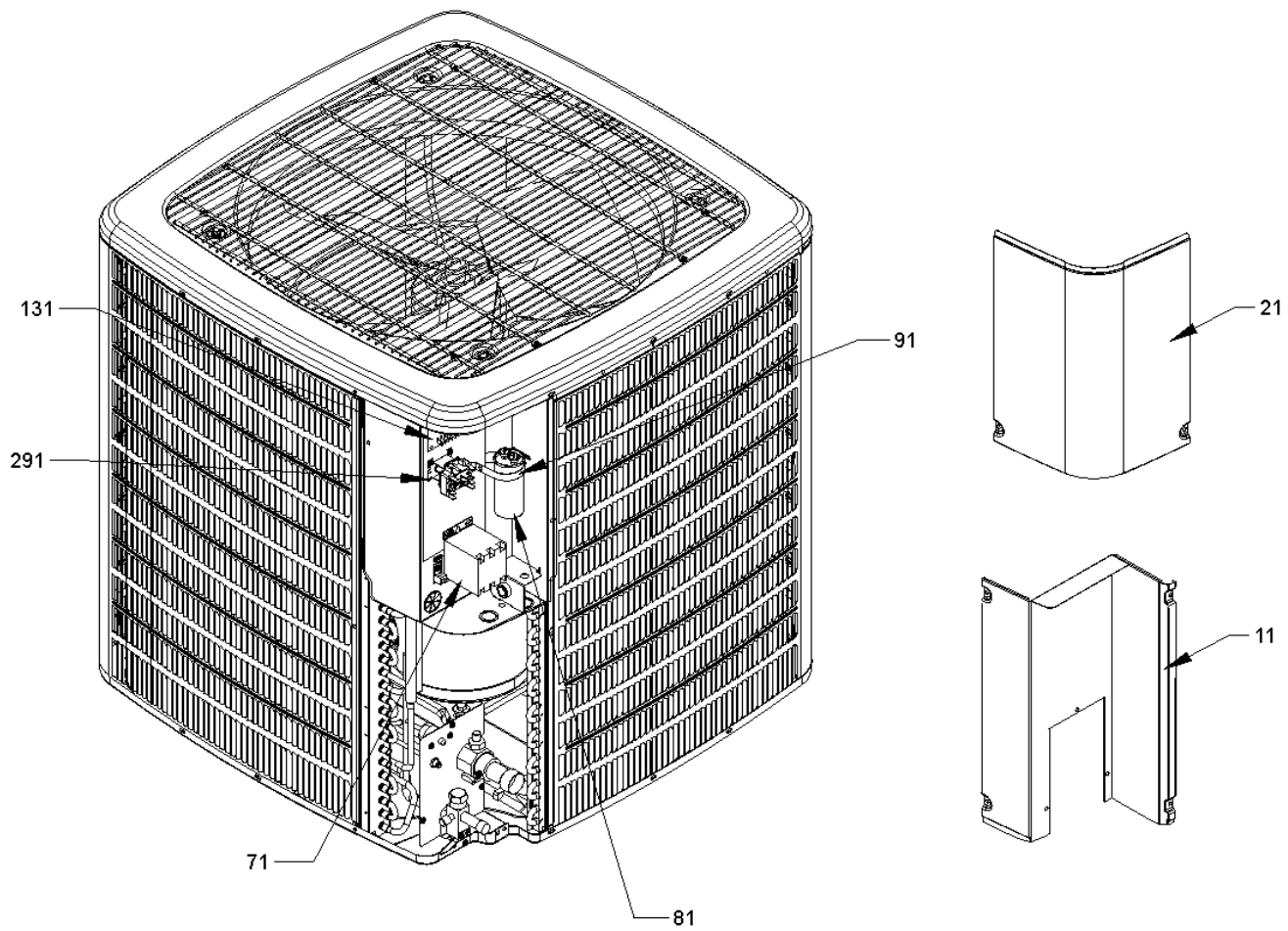
SPECIAL PARTS

| | |
|-------------|----------------------|
| 0161R00009P | NAMEPLATE |
| B1372801 | SIGHT GLASS CL90/120 |

Expanded Model Nomenclature

| |
|-------------------|
| M1 - GSH100903AA |
| M2 - GSH100903AB |
| M3 - GSH100903BA |
| M4 - GSH100904AA |
| M5 - GSH100904AB |
| M6 - GSH100904BA |
| M7 - GSH101203AA |
| M8 - GSH101203AB |
| M9 - GSH101203AD |
| M10 - GSH101204AA |
| M11 - GSH101204AB |
| M12 - GSH101204AC |

CONTROL COVER/CONTROL BOX



CONTROL COVER/CONTROL BOX

| Ref. Part No: No: | Description: | Ref. Part No: No: | Description: |
|-------------------|--------------|-------------------|--------------|
|-------------------|--------------|-------------------|--------------|

Image 1:

| | | |
|-----|-----------------|--|
| 11 | 4400211PDG | LOWER ACCESS PANEL (M3, M6, M7, M8, M9, M10, M11, M12) |
| 11 | 4400212PDG | LOWER ACCESS PANEL (M1, M2, M4, M5) |
| 21 | 0121R00053PDG | CONTROL COVER |
| 71 | CONT3P040024VS | CONTACTOR 40 AMP, 3P, 24V |
| 81 | CAP200000440RPS | CAPACITOR 20/370V |
| 91 | 4400065 | CAPACITOR STRAP |
| 131 | PCBDM101S | DEFROST CONTROL BOARD (M3, M6, M9, M12) |
| 291 | 0130M00025S | 24V RELAY |
| NS | B1370803 | DEFROST THERMOSTAT |
| NS | 0161R00009P | NAMEPLATE |

Expanded Model Nomenclature

| |
|-------------------|
| M1 - GSH100903AA |
| M2 - GSH100903AB |
| M3 - GSH100903BA |
| M4 - GSH100904AA |
| M5 - GSH100904AB |
| M6 - GSH100904BA |
| M7 - GSH101203AA |
| M8 - GSH101203AB |
| M9 - GSH101203AD |
| M10 - GSH101204AA |
| M11 - GSH101204AB |
| M12 - GSH101204AC |

COMPRESSOR/TUBING ASSEMBLY

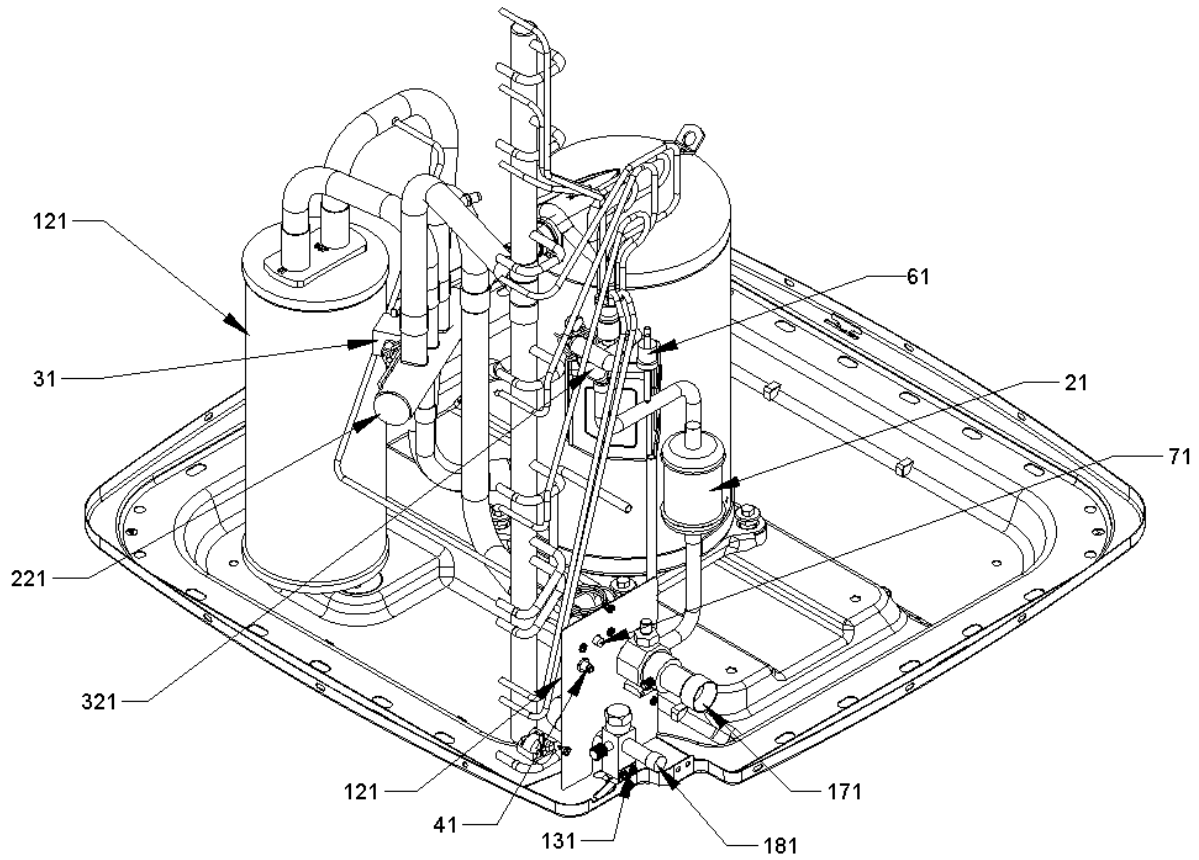


Image 1

Image 2

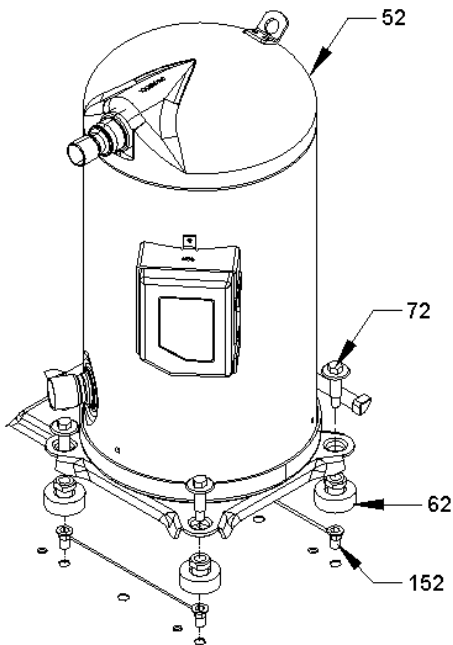
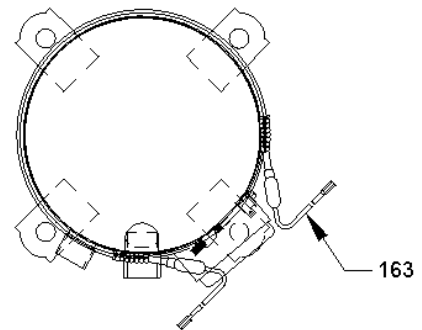


Image 3



TOP VIEW OF COMPRESSOR

COMPRESSOR/TUBING ASSEMBLY

| Ref. Part No: No: | Description: | Ref. Part No: No: | Description: |
|-------------------|--------------|-------------------|--------------|
|-------------------|--------------|-------------------|--------------|

Image 1:

| | | |
|-----|---------------|--|
| 21 | B1219227 | FILTER DRIER (BI-FLOW) |
| 31 | B1225020 | SOLENOID COIL CORD W/1/4"TERMINAL (M1, M2, M4, M5) |
| 41 | B1787000 | VALVE CORE |
| 61 | B1360719 | CUT-OUT SWITCH, LOW PRESSURE |
| 71 | B1360721 | CUT-OUT SWITCH, HIGH PRESSURE |
| 121 | B1226212 | ACCUMULATOR |
| 131 | 4400031 | VALVE BRACKET |
| 171 | 0151R00030 | BASE VALVE 1 1/8" |
| 181 | B1282573 | 5/8" SERVICE VALVE |
| 221 | 0151R00000P | VALVE, REVERSING CPLE120 (M3, M6, M7, M8, M9, M10, M11, M12) |
| 221 | 0151R00001P | VALVE, REVERSING CPLE090 (M1, M2, M4, M5) |
| 321 | 0151R00008 | EXPANSION VALVE/DIST TUBE ASSY (M7, M8, M9, M10, M11, M12) |
| 321 | 0151R00010 | EXPANSION VALVE/DIST TUBE ASSY (M1, M2, M4, M5) |
| 321 | 0151R00031 | EXPANSION VALVE/DIST TUBE ASSY (M3, M6) |
| NS | 0121R00007PDG | BASE PAN 35" |
| NS | B1372801 | SIGHT GLASS CL90/120 |

Image 2:

| | | |
|-----|---------------|---|
| 52 | ZR108KCTF5950 | COMPRESSOR 10900, 200/230/60/3 (M7, M8, M9) |
| 52 | ZR108KCTFD950 | COMPRESSOR 10900, 460/60/3 (M10, M11, M12) |
| 52 | ZR84KCTF5950 | COMPRESSOR 85500, 200/230/60/3 (M1, M2, M3) |
| 52 | ZR84KCTFD950 | COMPRESSOR 85500, 460/60/3 (M4, M5, M6) |
| 72 | B1393740 | COMPRESSOR BOLT & SLEEVE (QTY 4) |
| 152 | B1393027 | HEX NUT INSERT 5/16-18 (QTY 4) |

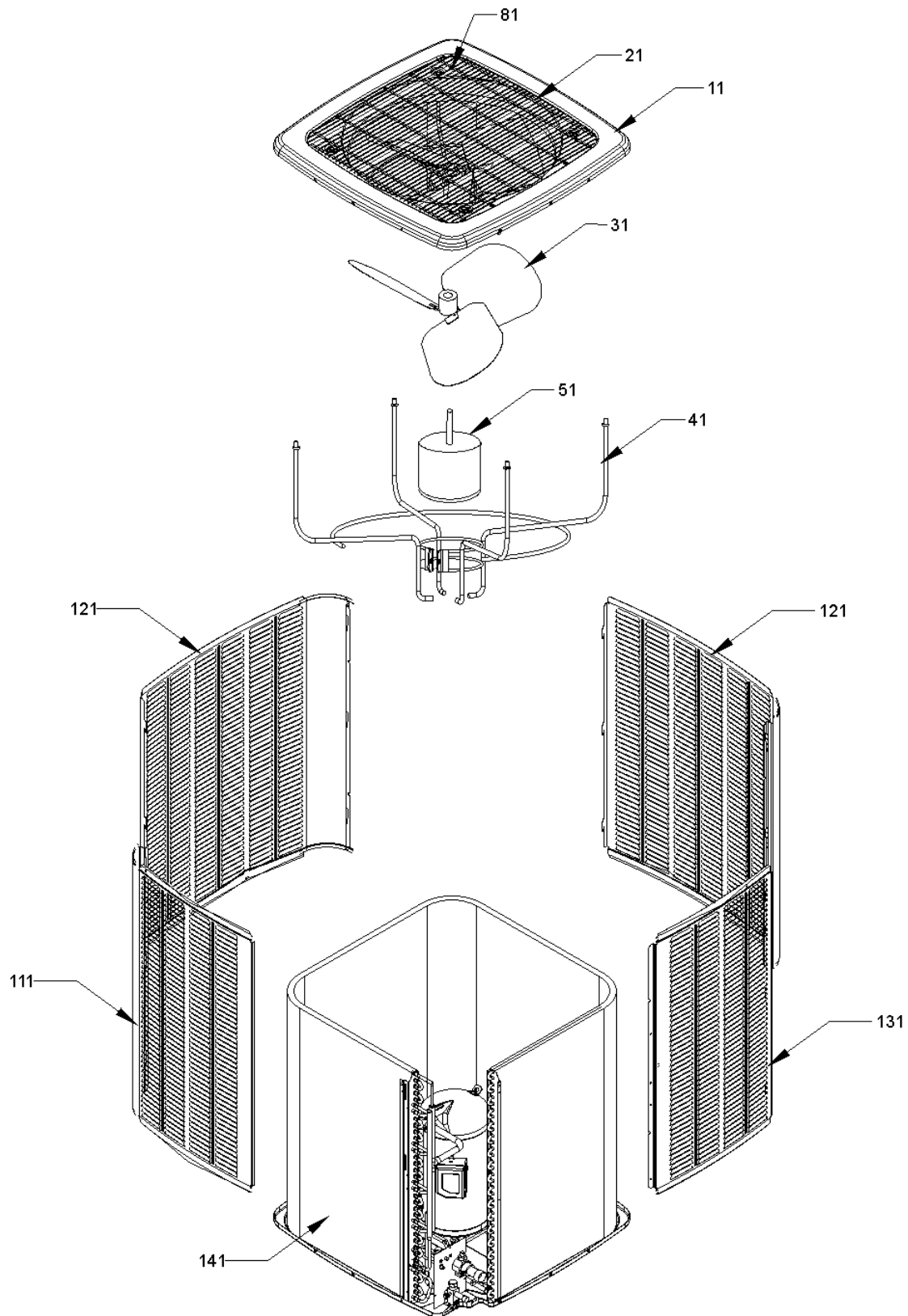
Image 3:

| | | |
|-----|----------|---|
| 163 | B1243732 | CRANKCASE HEATER 460V, 75 WATTS (M4, M5, M6, M10, M11, M12) |
| 163 | B1243731 | CRANKCASE HEATER 75W, 240V (M1, M2, M3, M7, M8, M9) |

Expanded Model Nomenclature

| |
|-------------------|
| M1 - GSH100903AA |
| M2 - GSH100903AB |
| M3 - GSH100903BA |
| M4 - GSH100904AA |
| M5 - GSH100904AB |
| M6 - GSH100904BA |
| M7 - GSH101203AA |
| M8 - GSH101203AB |
| M9 - GSH101203AD |
| M10 - GSH101204AA |
| M11 - GSH101204AB |
| M12 - GSH101204AC |

COIL/CABINET TOP/SIDE PANELS



COIL/CABINET TOP/SIDE PANELS

| Ref. Part No: | Ref. Part No: | Description: | Description: |
|---------------|---------------|--------------|--------------|
|---------------|---------------|--------------|--------------|

Image 1:

| | | |
|-----|-----------------|--|
| 11 | 0121R00013PDG | VENTURI TOP PANEL 35" |
| 21 | 0152R00003 | WIRE GRILL 35" |
| 31 | B1086768 | FAN BLADE 26" |
| 41 | 0121R00301 | BRACKET, MOTOR MOUNTING |
| 51 | 0131M00040S | COND MOTOR 1 HP, 1 SP, 230V (M1, M2, M3, M7, M8, M9) |
| 51 | 0131M00041S | COND MOTOR 1 HP, 1 SP, 460V (M4, M5, M6, M10, M11, M12) |
| 81 | 0163M00020 | SCREW, #12 X 1 1/4 (QTY 4) |
| 111 | 0121R00044PDGB | LOUVERED SIDE PANEL (M1, M2, M4, M5) |
| 111 | 0121R00043PDGB | LOUVERED SIDE PANEL [LT OF CNTL PNL] (M3, M6, M7, M8, M9, M10, M11, M12) |
| 121 | 0121R00048PDGB | LOUVERED SIDE PANEL (M1, M2, M4, M5) |
| 121 | 0121R00047PDGBS | PANEL 2,BENT LOUVER 35_36.0 (M3, M6, M7, M8, M9, M10, M11, M12) |
| 131 | 0121R00052PDG | LOUVERED SIDE PANEL (M1, M2, M4, M5) |
| 131 | 0121R00051PDG | LOUVERED SIDE PANEL [RT OF CNTL PNL] (M3, M6, M7, M8, M9, M10, M11, M12) |
| 141 | 0201R00085 | COIL TBG 36XL 9CR 1CTC (M7, M8, M9, M10, M11, M12) |
| 141 | 0201R00397 | COIL TBG 36XL 9CR 1CTC (M3, M6) |
| 141 | 0201R00083S | COIL TBG 40XL 8CR 1CTC (M1, M2, M4, M5) |

Expanded Model Nomenclature

| |
|-------------------|
| M1 - GSH100903AA |
| M2 - GSH100903AB |
| M3 - GSH100903BA |
| M4 - GSH100904AA |
| M5 - GSH100904AB |
| M6 - GSH100904BA |
| M7 - GSH101203AA |
| M8 - GSH101203AB |
| M9 - GSH101203AD |
| M10 - GSH101204AA |
| M11 - GSH101204AB |
| M12 - GSH101204AC |

Free Manuals Download Website

<http://myh66.com>

<http://usermanuals.us>

<http://www.somanuals.com>

<http://www.4manuals.cc>

<http://www.manual-lib.com>

<http://www.404manual.com>

<http://www.luxmanual.com>

<http://aubethermostatmanual.com>

Golf course search by state

<http://golfingnear.com>

Email search by domain

<http://emailbydomain.com>

Auto manuals search

<http://auto.somanuals.com>

TV manuals search

<http://tv.somanuals.com>