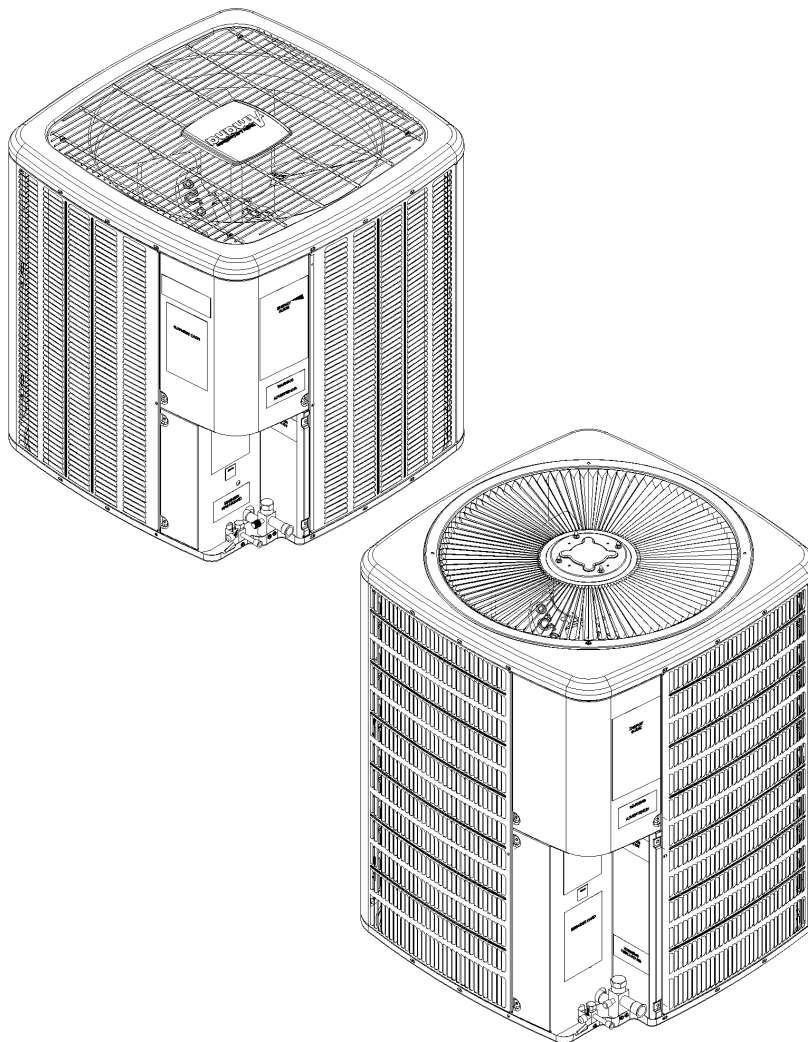


REPAIR PARTS

GSC13 Remote Condensing Units

GSC130181AB
GSC130181CA
GSC130241AB
GSC130301AB
GSC130361BB
GSC130361DA
GSC130361DB
GSC130361DF
GSC130361EA
GSC130361EB
GSC130363AB
GSC130363AC
GSC130421AB
GSC130481AB
GSC130481AC
GSC130483AB
GSC130483AC
GSC130484AB
GSC130601BB
GSC130601BC
GSC130603AB
GSC130603AC
GSC130604AB
GSC130604AC



This manual is to be used by qualified technicians only.

This manual replaces RP-431F.

© 2006-2009 Goodman Manufacturing Company, L.P. ♦ 5151 San Felipe, Suite 500 ♦ Houston, TX 77056

Important Information

Index

Functional Parts List	3
Illustration and Parts	4 - 9

Views shown are for parts illustrations only, not servicing procedures.

Rev. G: Added missing motor for GSC130361EB.

08/19/09: Changed compressor for GSC130181CA from ZR16K4PFV930 to H21J383ABCAS.

Text Codes:

AR - As Required

NA - Not Available

NS - Not Shown

00000000 - See Note

QTY - Quantity Example (QTY 3) (If Quantity not shown, Quantity = 1)

M - Model Example (M1) (If M Code not shown, then part is used on all Models)

Expanded Model Nomenclature:

Example
M1 - Model#1
M2 - Model#2
M3 - Model#3

Goodman Manufacturing Company, L.P. is not responsible for personal injury or property damage resulting from improper service. Review all service information before beginning repairs.

Warranty service must be performed by an authorized technician, using authorized factory parts. If service is required after the warranty expires, Goodman Manufacturing Company, L.P. also recommends contacting an authorized technician and using authorized factory parts.

Goodman Manufacturing Company, L.P. reserves the right to discontinue, or change at any time, specifications or designs without notice or without incurring obligations.

For assistance within the U.S.A. contact:

Consumer Affairs Department
Goodman Manufacturing Company, L.P.
7401 Security Way
Houston, Texas 77040
877-254-4729-Telephone
713-863-2382-Facsimile

For assistance outside the U.S.A. contact:

International Division
Goodman Manufacturing Company, L.P.
7401 Security Way
Houston, Texas 77040
713-861-2500-Telephone
713-863-2382-Facsimile

Functional Parts

Part

No: Description:

CAP050350440RSS	CAPACITOR 5/35/440V [CONTROL BOX] (M1, M2, M3, M6, M7, M8, M9, M10)
CAP050000370VAS	CAPACITOR 5/370V (M11, M12, M16, M17, M18, M21, M22, M23, M24)
CAP050400370RSS	CAPACITOR 5/40/370V [CONTROL BOX] (M4)
CAP050450370RSS	CAPACITOR 5/45/370V [CONTROL BOX] (M5)
CAP050500440RTS	CAPACITOR 5/50/440V (M13)
CAP050550440RTS	CAPACITOR 5/55/440V (M14, M15)
CAP050800440RTS	CAPACITOR 5/80/440V [CONTROL BOX] (M19, M20)
CR14K7PFV970	COMPRESSOR 14100, 208/230/60/1 (M1)
ZR16K4PFV930	COMPRESSOR 16500, 208/230/60/1 (M2)
CR18K7PFV930	COMPRESSOR 17500, 208/230/60/1 (M3)
CR23K7PFV930	COMPRESSOR 22600, 208/230/60/1 (M4)
CR28K7TF5970	COMPRESSOR 28000, 200/230/60/3 (M11, M12)
CR28K7PFV930	COMPRESSOR 28300, 208/230/60/1 (M6, M7)
ZR30K3PFV930	COMPRESSOR 31100, 208/230/60/1 (M5)
ZR34K3PFV930	COMPRESSOR 34400, 208/230/60/1 (M13)
ZR40K3PFV930	COMPRESSOR 40600, 208/230/60/1 (M14, M15)
ZR40K3TF5930	COMPRESSOR 40600, 208/230/60/3 (M16, M17)
ZR40K3TFD930	COMPRESSOR 40600, 460/60/3 (M18)
ZR52K3PFV930	COMPRESSOR 52000, 208/230/60/1 (M19, M20)
ZR54K3TF5930	COMPRESSOR 54200, 200/230/60/3 (M21, M22)
ZR54K3TFD930	COMPRESSOR 54500, 460/60/3 (M23, M24)
H20J293ABCAS	COMPRESSOR, BRISTOL (M8, M9, M10)
0131M00018PS	COND MOTOR 1/4 HP, 1 SP, 6 PL (M13)
0131M00007PS	COND MOTOR 1/4 HP, 1 SP, 6 PL (M5, M11, M14, M16)
0131M00014PS	COND MOTOR 1/4 HP, 1 SP, 8 PL (M15, M17)
0131M00022S	COND MOTOR 1/4 HP, 8 PL, 460V (M18)
0131M00012PS	COND MOTOR 1/6 HP, 1 SP, 8 PL (M19, M20, M21, M22)
0131M00060S	COND MOTOR 1/6 HP, 1 SP, 8 PL (M1, M2, M3, M4, M6, M7, M8, M9, M10, M12)
0131M00023S	COND MOTOR 1/6 HP, 8 PL, 460V (M23, M24)
CONT2P025024VS	CONTACTOR 25 AMP, 2P, 24V (M1, M2, M3, M4, M5, M6, M7, M8, M9, M10, M13)
CONT3P025024VS	CONTACTOR 25 AMP, 3P, 24V (M11, M12, M16, M17, M18, M21, M22, M23, M24)
CONT2P030024VS	CONTACTOR 30 AMP, 2P, 24V (M14, M15)
CONT2P040024VS	CONTACTOR 40 AMP, 2P, 24V (M19, M20)

SPECIAL PARTS

IO-258F	INSTALLATION INSTRUCTIONS (M2, M8, M20, M22, M24)
0161R00009P	NAMEPLATE
RP-431G	REPAIR PARTS MANUAL

Expanded Model Nomenclature

M1 - GSC130181AB
M2 - GSC130181CA
M3 - GSC130241AB
M4 - GSC130301AB
M5 - GSC130361BB
M6 - GSC130361DA
M7 - GSC130361DB
M8 - GSC130361DF
M9 - GSC130361EA
M10 - GSC130361EB
M11 - GSC130363AB
M12 - GSC130363AC
M13 - GSC130421AB
M14 - GSC130481AB
M15 - GSC130481AC
M16 - GSC130483AB
M17 - GSC130483AC
M18 - GSC130484AB
M19 - GSC130601BB
M20 - GSC130601BC
M21 - GSC130603AB
M22 - GSC130603AC
M23 - GSC130604AB
M24 - GSC130604AC

Control Cover/Control Box

Image 1

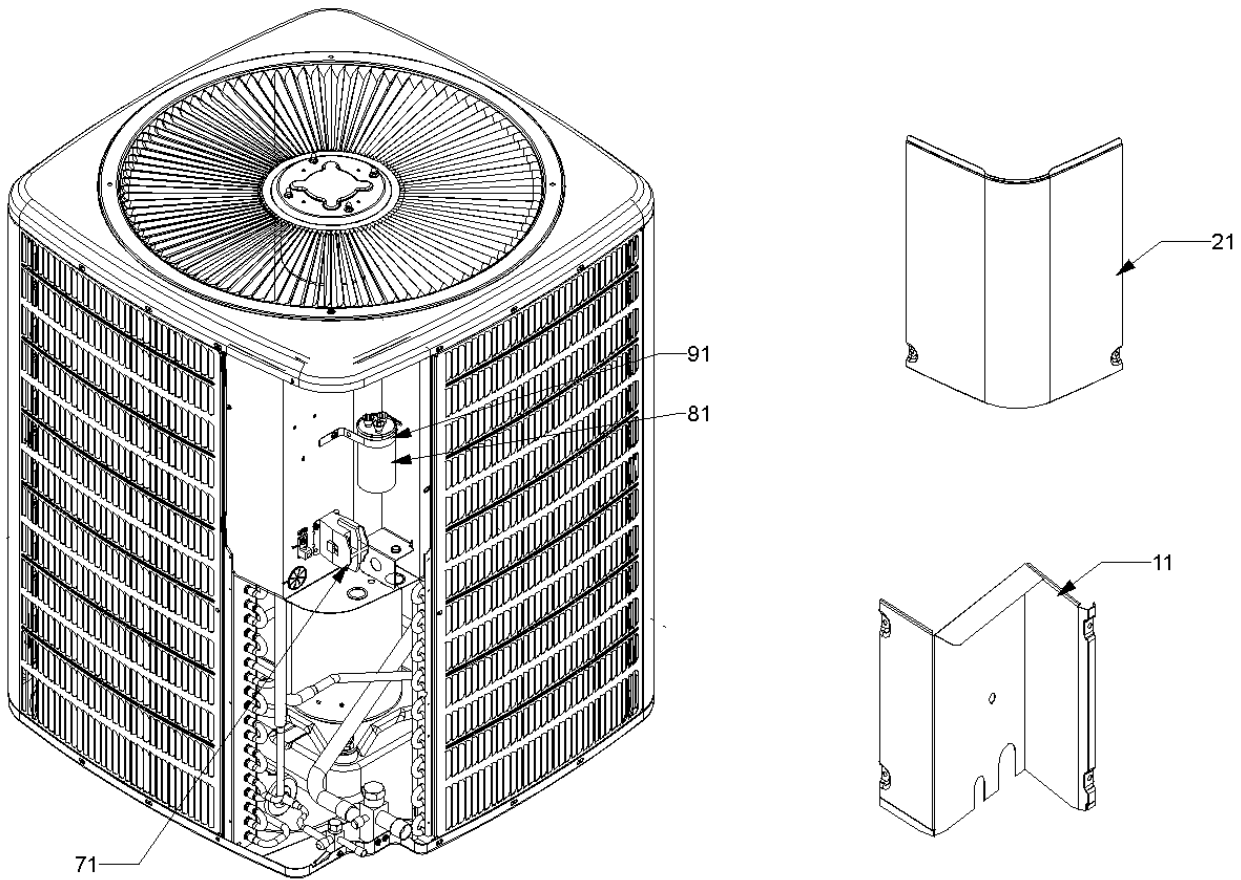
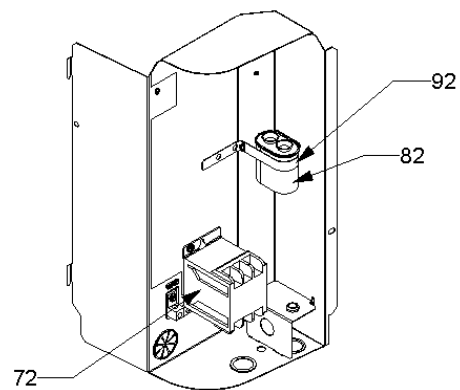


Image 2



Control Cover/Control Box

Ref. Part No:	No:	Description:	Ref. Part No:	No:	Description:
<i>Image 1:</i>			Expanded Model Nomenclature		
11	0121R00094PDG	LOWER ACCESS PANEL (M2)	M1	-	GSC130181AB
11	4400200PDG	LOWER ACCESS PANEL (M1)	M2	-	GSC130181CA
11	4400202PDG	LOWER ACCESS PANEL (M6, M7, M8, M11, M12, M13)	M3	-	GSC130241AB
11	4400203PDG	LOWER ACCESS PANEL (M3, M4, M5, M9, M10)	M4	-	GSC130301AB
11	4400205PDG	LOWER ACCESS PANEL (M14, M15, M16, M17, M18, M19, M20, M21, M22, M23, M24)	M5	-	GSC130361BB
21	0121R00053PDG	CONTROL COVER	M6	-	GSC130361DA
71	CONT2P025024VS	CONTACTOR 25 AMP, 2P, 24V (M1, M2, M3, M4, M5, M6, M7, M8, M9, M10, M13)	M7	-	GSC130361DB
71	CONT3P025024VS	CONTACTOR 25 AMP, 3P, 24V (M11, M12, M16, M17, M18, M21, M22, M23, M24)	M8	-	GSC130361DF
71	CONT2P030024VS	CONTACTOR 30 AMP, 2P, 24V (M14, M15)	M9	-	GSC130361EA
71	CONT2P040024VS	CONTACTOR 40 AMP, 2P, 24V (M19, M20)	M10	-	GSC130361EB
81	CAP050350440RSS	CAPACITOR 5/35/440V [CONTROL BOX] (M1, M2, M3, M6, M7, M8, M9, M10)	M11	-	GSC130363AB
81	CAP050000370VAS	CAPACITOR 5/370V (M11, M12, M16, M17, M18, M21, M22, M23, M24)	M12	-	GSC130363AC
81	CAP050400370RSS	CAPACITOR 5/40/370V [CONTROL BOX] (M4)	M13	-	GSC130421AB
81	CAP050450370RSS	CAPACITOR 5/45/370V [CONTROL BOX] (M5)	M14	-	GSC130481AB
81	CAP050500440RTS	CAPACITOR 5/50/440V (M13)	M15	-	GSC130481AC
81	CAP050550440RTS	CAPACITOR 5/55/440V (M14, M15)	M16	-	GSC130483AB
81	CAP050800440RTS	CAPACITOR 5/80/440V [CONTROL BOX] (M19, M20)	M17	-	GSC130483AC
91	4400065	CAPACITOR STRAP	M18	-	GSC130484AB
NS	0161R00009P	NAMEPLATE	M19	-	GSC130601BB
			M20	-	GSC130601BC
			M21	-	GSC130603AB
			M22	-	GSC130603AC
			M23	-	GSC130604AB
			M24	-	GSC130604AC

Compressor/Tubing Assembly

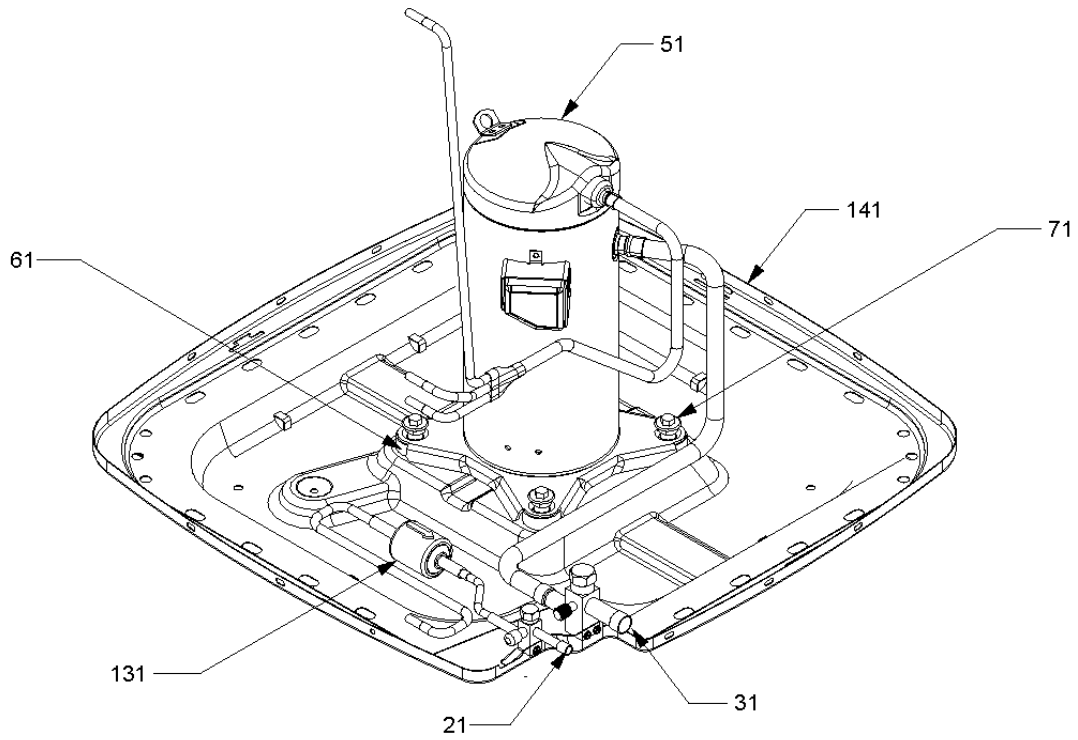
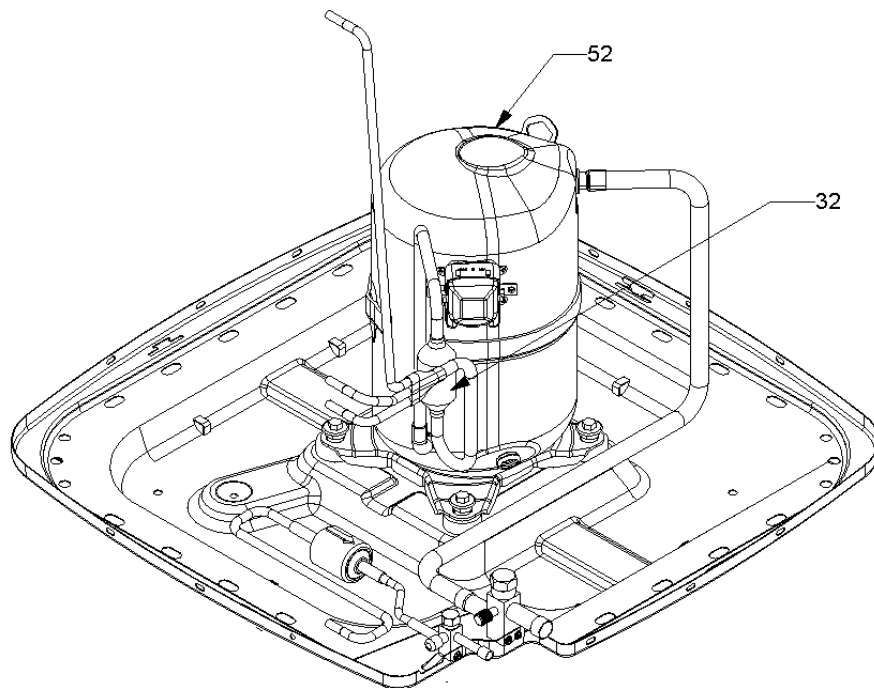


Image 1

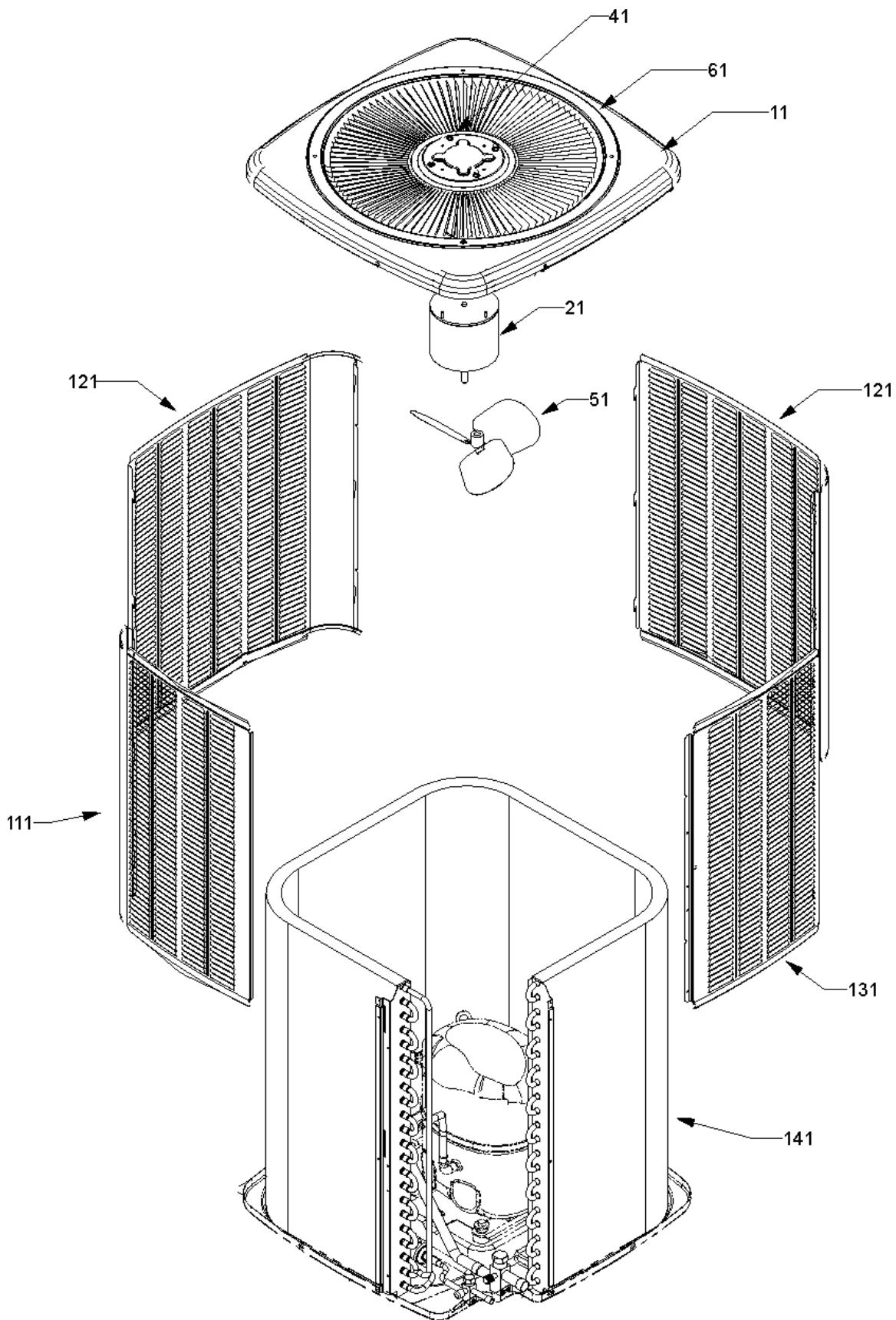
Image 2



Compressor/Tubing Assembly

Ref. Part No:	Ref. Part No:	Description:	Description:
<i>Image 1:</i>		Expanded Model Nomenclature	
21	B12825171	3/8" SERVICE VALVE	M1 - GSC130181AB
31	0151R00002P	3/4" SERVICE VALVE OPEN LEFT (M1, M2, M3, M4, M5, M6, M7, M8, M9, M10, M11, M12)	M2 - GSC130181CA
31	0151R00003P	7/8" SERVICE VALVE OPEN LEFT (M13, M14, M15, M16, M17, M18, M19, M20, M21, M22, M23, M24)	M3 - GSC130241AB
51	CR14K7PFV970	COMPRESSOR 14100, 208/230/60/1 (M1)	M4 - GSC130301AB
51	ZR16K4PFV930	COMPRESSOR 16500, 208/230/60/1 (M2)	M5 - GSC130361BB
51	CR18K7PFV930	COMPRESSOR 17500, 208/230/60/1 (M3)	M6 - GSC130361DA
51	CR23K7PFV930	COMPRESSOR 22600, 208/230/60/1 (M4)	M7 - GSC130361DB
51	CR28K7TF5970	COMPRESSOR 28000, 200/230/60/3 (M11, M12)	M8 - GSC130361DF
51	CR28K7PFV930	COMPRESSOR 28300, 208/230/60/1 (M6, M7)	M9 - GSC130361EA
51	ZR30K3PFV930	COMPRESSOR 31100, 208/230/60/1 (M5)	M10 - GSC130361EB
51	ZR34K3PFV930	COMPRESSOR 34400, 208/230/60/1 (M13)	M11 - GSC130363AB
51	ZR40K3PFV930	COMPRESSOR 40600, 208/230/60/1 (M14, M15)	M12 - GSC130363AC
51	ZR40K3TF5930	COMPRESSOR 40600, 208/230/60/3 (M16, M17)	M13 - GSC130421AB
51	ZR40K3TFD930	COMPRESSOR 40600, 460/60/3 (M18)	M14 - GSC130481AB
51	ZR52K3PFV930	COMPRESSOR 52000, 208/230/60/1 (M19, M20)	M15 - GSC130481AC
51	ZR54K3TF5930	COMPRESSOR 54200, 200/230/60/3 (M21, M22)	M16 - GSC130483AB
51	ZR54K3TFD930	COMPRESSOR 54500, 460/60/3 (M23, M24)	M17 - GSC130483AC
61	B1339530	COMPRESSOR GROMMET (M1, M3, M4, M6, M7, M8, M9, M10, M12)	M18 - GSC130484AB
61	B1339533	COMPRESSOR GROMMET (M5, M11, M13, M14, M15, M16, M17, M18, M19, M20, M21, M22, M23, M24)	M19 - GSC130601BB
61	0164M00000P	COMPRESSOR GROMMET-PANASONIC (M2)	M20 - GSC130601BC
71	M0221641	TF SHOULDER SCREW (QTY 4)	M21 - GSC130603AB
131	B1219212	SINGLE-FLOW FILTER DRIER, STEEL (M1, M2, M3, M4, M5, M6, M7, M8, M9, M10, M11, M12)	M22 - GSC130603AC
131	B1219225	SINGLE-FLOW FILTER DRIER, STEEL (M13, M14, M15, M16, M17, M18, M19, M20, M21, M22, M23, M24)	M23 - GSC130604AB
141	0121R00005PDG	BASE PAN 26" (M1, M2, M3)	M24 - GSC130604AC
141	0121R00006PDG	BASE PAN 29" (M4, M5, M6, M7, M8, M9, M10, M11, M12, M13, M14, M15, M16, M17, M18)	
141	0121R00007PDG	BASE PAN 35" (M19, M20, M21, M22, M23, M24)	
NS	0159R00002P	COMPRESSOR SCROLL HARNESS (M13)	
NS	B1789855	FLOW CHECK PISTON KIT .055 (M1, M2)	
NS	B1789859	FLOW CHECK PISTON KIT .059 (M3)	
NS	B1789865	FLOW CHECK PISTON KIT .065 (M4)	
NS	B1789871	FLOW CHECK PISTON KIT .071 (M5)	
NS	B1789874	FLOW CHECK PISTON KIT .074 (M6, M7, M9, M10, M11, M12)	
NS	B1789878	FLOW CHECK PISTON KIT .078 (M13)	
NS	B1789882	FLOW CHECK PISTON KIT .082 (M14, M15, M16, M17, M18)	
NS	B1789893	FLOW CHECK PISTON KIT .093 (M19, M21, M23)	
<i>Image 2:</i>			
32	B1219301	MUFFLER 1/2 X 1/2 (M8, M9, M10)	
52	H20J293ABCAS	COMPRESSOR, BRISTOL (M8, M9, M10)	

Coil/Cabinet Top/Side Panels



Coil/Cabinet Top/Side Panels

Ref. Part No:	No:	Description:	Ref. Part No:	No:	Description:																								
<i>Image 1:</i>			<i>Image 1:</i>																										
11	0121R00008PDG	TOP PANEL 26" (M1, M2, M3)	131	0121R00037PDG	LOUVERED SIDE PANEL (M6, M7, M8, M11, M12, M13)																								
11	0121R00010PDG	TOP PANEL 29" (M4, M5, M6, M7, M8, M9, M10, M11, M12, M13, M14, M15, M16, M17, M18)	131	0121R00038PDG	LOUVERED SIDE PANEL (M4, M5, M9, M10)																								
11	0121R00012PDG	TOP PANEL 35" (M19, M20, M21, M22, M23, M24)	131	0121R00116S	LOUVERED SIDE PANEL (M2)																								
21	0131M00007PS	COND MOTOR 1/4 HP, 1 SP, 6 PL (M5, M11, M14, M16)	131	0121R00039PDG	LOUVERED SIDE PANEL-VERTICAL (M14, M15, M16, M17, M18)																								
21	0131M00018PS	COND MOTOR 1/4 HP, 1 SP, 6 PL (M13)	131	0121R00051PDG	LOUVERED SIDE PANEL-VERTICAL (M19, M20, M21, M22, M23, M24)																								
21	0131M00014PS	COND MOTOR 1/4 HP, 1 SP, 8 PL (M15, M17)	141	0201R00177S	TUBING ASSY, COND COIL (M2)																								
21	0131M00022S	COND MOTOR 1/4 HP, 8 PL, 460V (M18)	141	1362100	TUBING ASSY, COND COIL (M1)																								
21	0131M00012PS	COND MOTOR 1/6 HP, 1 SP, 8 PL (M19, M20, M21, M22)	141	1362101	TUBING ASSY, COND COIL (M3)																								
21	0131M00060S	COND MOTOR 1/6 HP, 1 SP, 8 PL (M1, M2, M3, M4, M6, M7, M8, M9, M10, M12)	141	1362103	TUBING ASSY, COND COIL (M4, M5, M9, M10)																								
21	0131M00023S	COND MOTOR 1/6 HP, 8 PL, 460V (M23, M24)	141	1362104	TUBING ASSY, COND COIL (M6, M7, M8, M11, M12, M13)																								
41	0163M00006P	ACORN NUT 5/16 HEX BLACK (QTY 4)	141	1362105	TUBING ASSY, COND COIL (M14, M15, M16, M17, M18)																								
51	0150M00018S	FAN BLADE 20" (M1, M3)	141	1362106	TUBING ASSY, COND COIL (M19, M20, M21, M22, M23, M24)																								
51	0150M00012S	FAN BLADE 20" CCW (M2)	NS	0161R00001P	CONDUIT (M1, M2, M3)																								
51	0150M00007S	FAN BLADE 22" (M5, M11)	NS	0161R00002P	CONDUIT (M14, M15, M16, M17, M18)																								
51	B1086775S	FAN BLADE 22" (M13, M14, M16)	NS	0161R00003P	CONDUIT (M4, M5, M6, M7, M8, M9, M10, M11, M12, M13)																								
51	0150M00008S	FAN BLADE 22" TNT2203-25 (M4, M6, M7, M8, M9, M10, M12, M18)	NS	0161R00004P	CONDUIT (M19, M20, M21, M22, M23, M24)																								
51	10625738S	FAN BLADE 26" ALUM CCW (M19, M20, M21, M22, M23, M24)	Expanded Model Nomenclature																										
51	B1086765S	FAN BLADE TYPE 3 (M15, M17)	<table border="1"> <tr><td>M1 - GSC130181AB</td></tr> <tr><td>M2 - GSC130181CA</td></tr> <tr><td>M3 - GSC130241AB</td></tr> <tr><td>M4 - GSC130301AB</td></tr> <tr><td>M5 - GSC130361BB</td></tr> <tr><td>M6 - GSC130361DA</td></tr> <tr><td>M7 - GSC130361DB</td></tr> <tr><td>M8 - GSC130361DF</td></tr> <tr><td>M9 - GSC130361EA</td></tr> <tr><td>M10 - GSC130361EB</td></tr> <tr><td>M11 - GSC130363AB</td></tr> <tr><td>M12 - GSC130363AC</td></tr> <tr><td>M13 - GSC130421AB</td></tr> <tr><td>M14 - GSC130481AB</td></tr> <tr><td>M15 - GSC130481AC</td></tr> <tr><td>M16 - GSC130483AB</td></tr> <tr><td>M17 - GSC130483AC</td></tr> <tr><td>M18 - GSC130484AB</td></tr> <tr><td>M19 - GSC130601BB</td></tr> <tr><td>M20 - GSC130601BC</td></tr> <tr><td>M21 - GSC130603AB</td></tr> <tr><td>M22 - GSC130603AC</td></tr> <tr><td>M23 - GSC130604AB</td></tr> <tr><td>M24 - GSC130604AC</td></tr> </table>			M1 - GSC130181AB	M2 - GSC130181CA	M3 - GSC130241AB	M4 - GSC130301AB	M5 - GSC130361BB	M6 - GSC130361DA	M7 - GSC130361DB	M8 - GSC130361DF	M9 - GSC130361EA	M10 - GSC130361EB	M11 - GSC130363AB	M12 - GSC130363AC	M13 - GSC130421AB	M14 - GSC130481AB	M15 - GSC130481AC	M16 - GSC130483AB	M17 - GSC130483AC	M18 - GSC130484AB	M19 - GSC130601BB	M20 - GSC130601BC	M21 - GSC130603AB	M22 - GSC130603AC	M23 - GSC130604AB	M24 - GSC130604AC
M1 - GSC130181AB																													
M2 - GSC130181CA																													
M3 - GSC130241AB																													
M4 - GSC130301AB																													
M5 - GSC130361BB																													
M6 - GSC130361DA																													
M7 - GSC130361DB																													
M8 - GSC130361DF																													
M9 - GSC130361EA																													
M10 - GSC130361EB																													
M11 - GSC130363AB																													
M12 - GSC130363AC																													
M13 - GSC130421AB																													
M14 - GSC130481AB																													
M15 - GSC130481AC																													
M16 - GSC130483AB																													
M17 - GSC130483AC																													
M18 - GSC130484AB																													
M19 - GSC130601BB																													
M20 - GSC130601BC																													
M21 - GSC130603AB																													
M22 - GSC130603AC																													
M23 - GSC130604AB																													
M24 - GSC130604AC																													
61	0161L00000	VENTURI RING 22" (M14, M15, M16, M17, M18)																											
61	0161R00007P	VENTURI RING 35" (M19, M20, M21, M22, M23, M24)																											
111	0121R00014PDGB	LOUVERED SIDE PANEL (M1)																											
111	0121R00016PDGB	LOUVERED SIDE PANEL (M3)																											
111	0121R00025PDGB	LOUVERED SIDE PANEL (M6, M7, M8, M11, M12, M13)																											
111	0121R00026PDGB	LOUVERED SIDE PANEL (M4, M5, M9, M10)																											
111	0121R00102PDGB	LOUVERED SIDE PANEL (M2)																											
111	0121R00027PDGB	LOUVERED SIDE PANEL-VERTICAL (M14, M15, M16, M17, M18)																											
111	0121R00043PDGB	LOUVERED SIDE PANEL-VERTICAL (M19, M20, M21, M22, M23, M24)																											
121	0121R00017PDGB	LOUVERED SIDE PANEL (M1)																											
121	0121R00019PDGB	LOUVERED SIDE PANEL (M3)																											
121	0121R00031PDGB	LOUVERED SIDE PANEL (M6, M7, M8, M11, M12, M13)																											
121	0121R00032PDGB	LOUVERED SIDE PANEL (M4, M5, M9, M10)																											
121	0121R00109PDGB	LOUVERED SIDE PANEL (M2)																											
121	0121R00033PDGB	LOUVERED SIDE PANEL-VERTICAL (M14, M15, M16, M17, M18)																											
121	0121R00047PDGB	LOUVERED SIDE PANEL-VERTICAL (M19, M20, M21, M22, M23, M24)																											
131	0121R00020PDG	LOUVERED SIDE PANEL (M1)																											
131	0121R00022PDG	LOUVERED SIDE PANEL (M3)																											

Free Manuals Download Website

<http://myh66.com>

<http://usermanuals.us>

<http://www.somanuals.com>

<http://www.4manuals.cc>

<http://www.manual-lib.com>

<http://www.404manual.com>

<http://www.luxmanual.com>

<http://aubethermostatmanual.com>

Golf course search by state

<http://golfingnear.com>

Email search by domain

<http://emailbydomain.com>

Auto manuals search

<http://auto.somanuals.com>

TV manuals search

<http://tv.somanuals.com>