

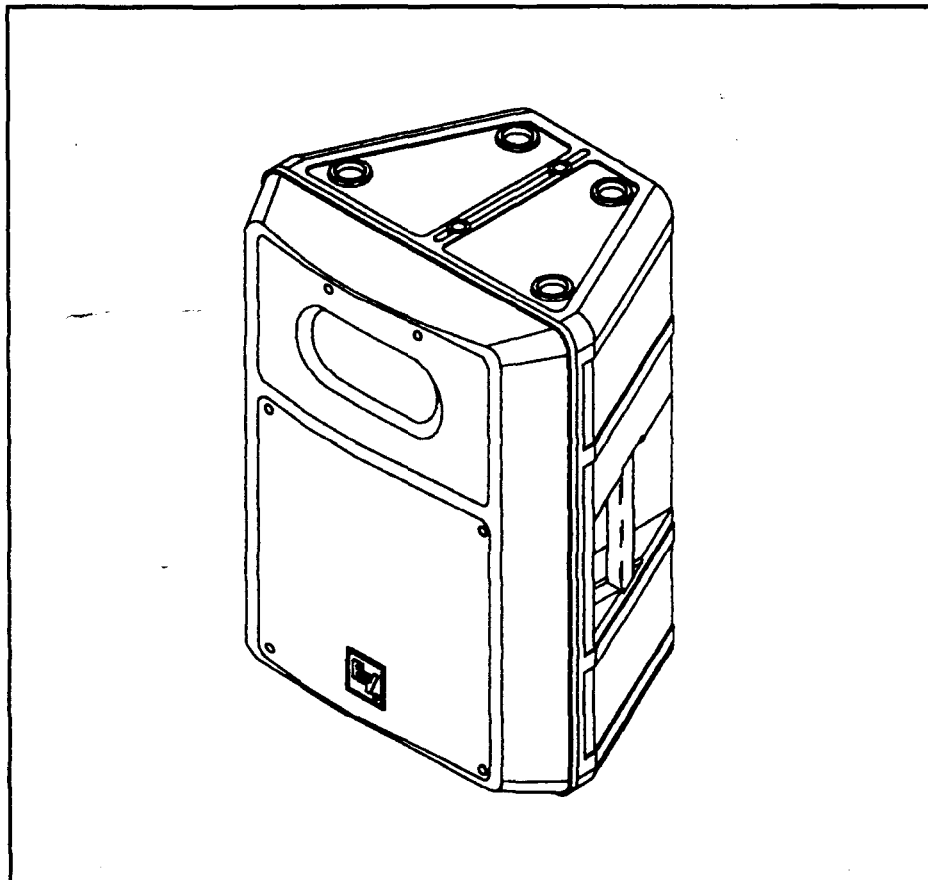


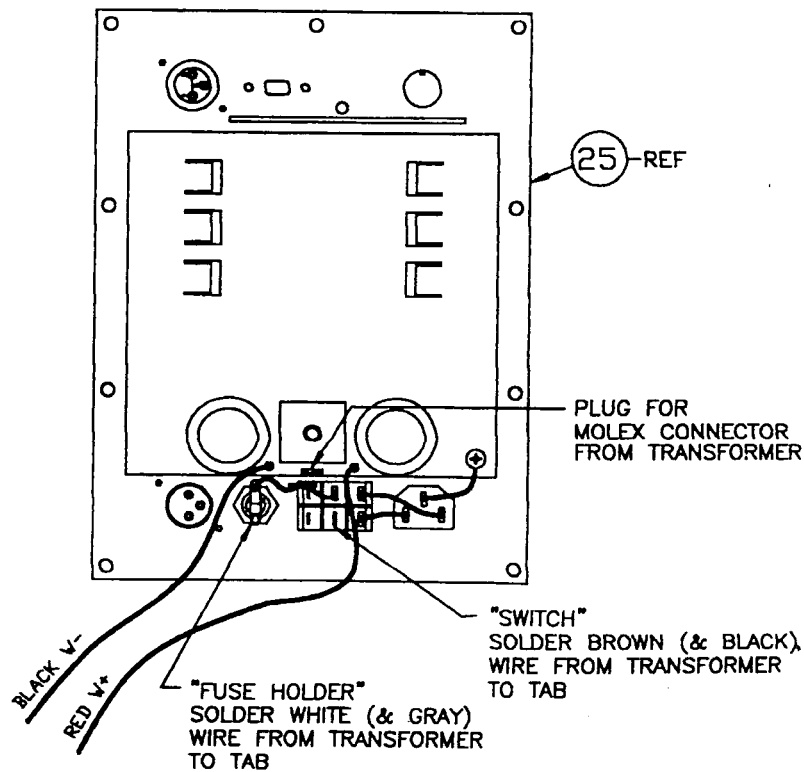
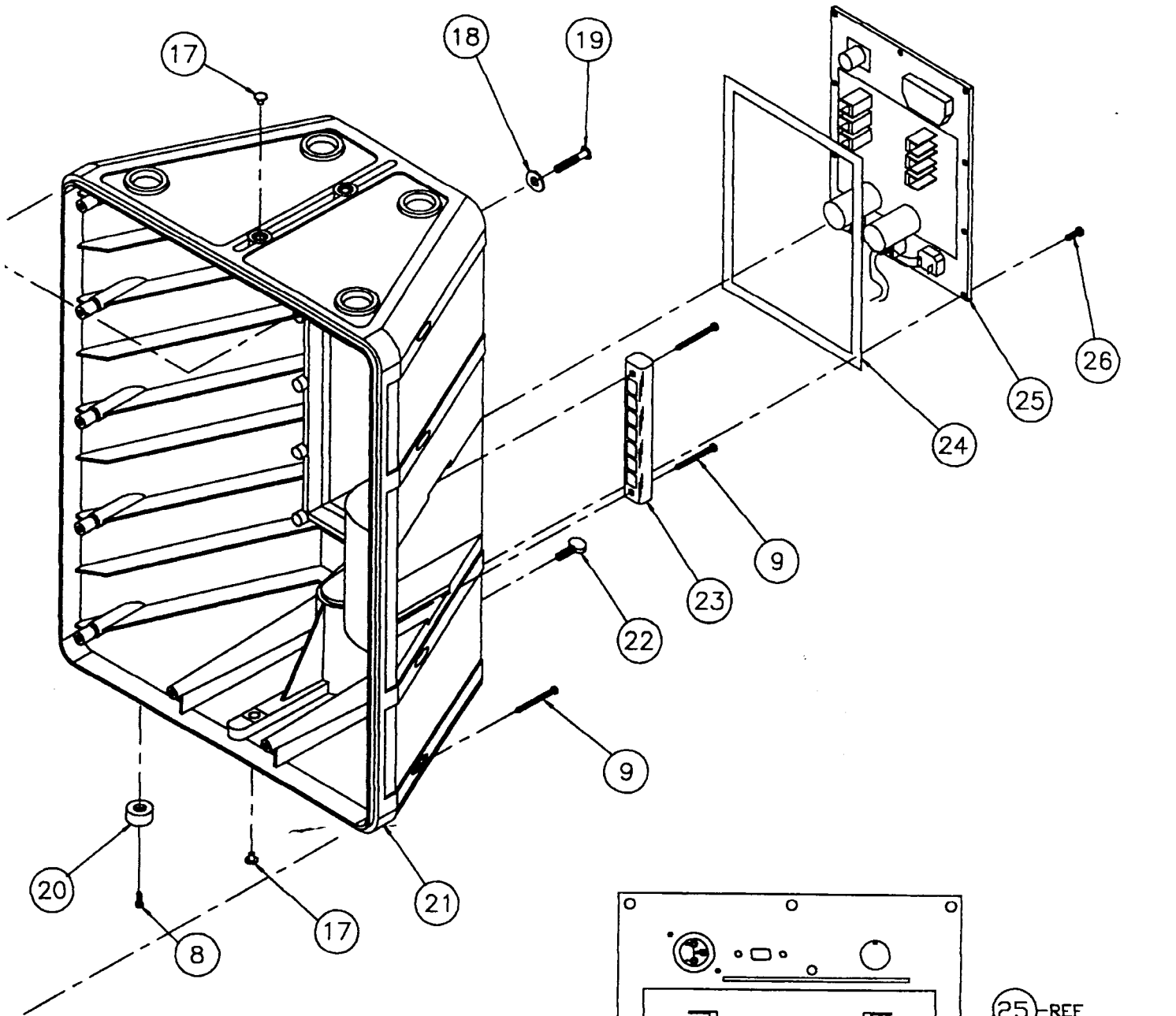
Electro-Voice®
TELEX Communications, Inc.
600 Cecil Street
Buchanan, Michigan 49107
Phone: 616-695-6831
FAX: 616-695-4743

SERVICE DATA

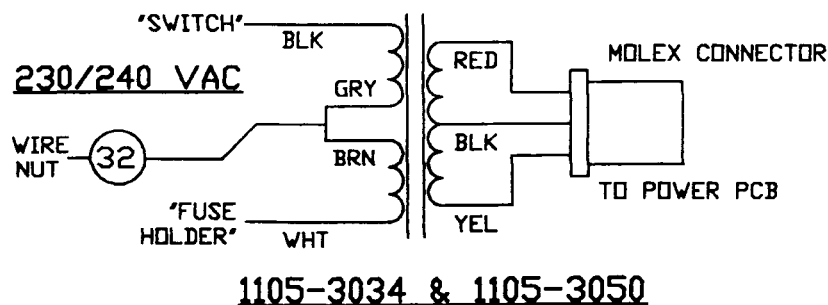
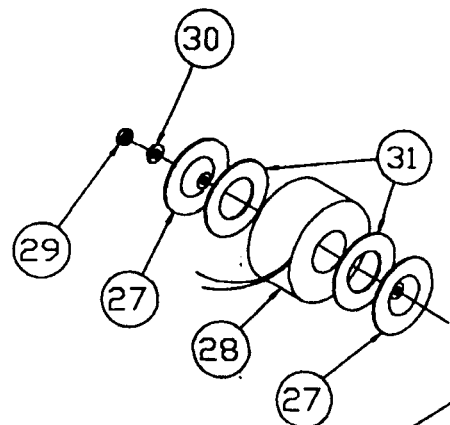
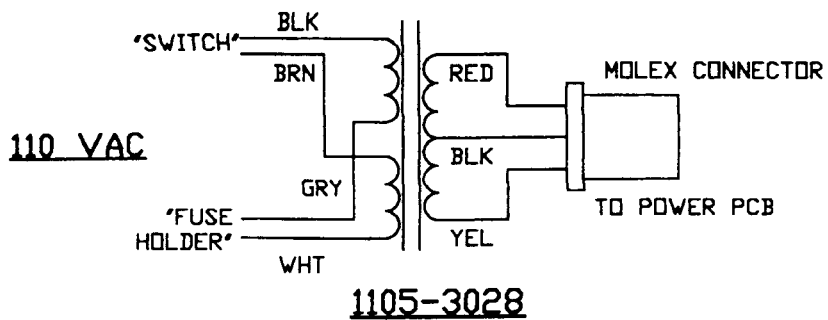
Sb121a/110v
(1105-3028)

Sb121a/230v **Sb121a/240v**
(1105-3034) (1105-3050)

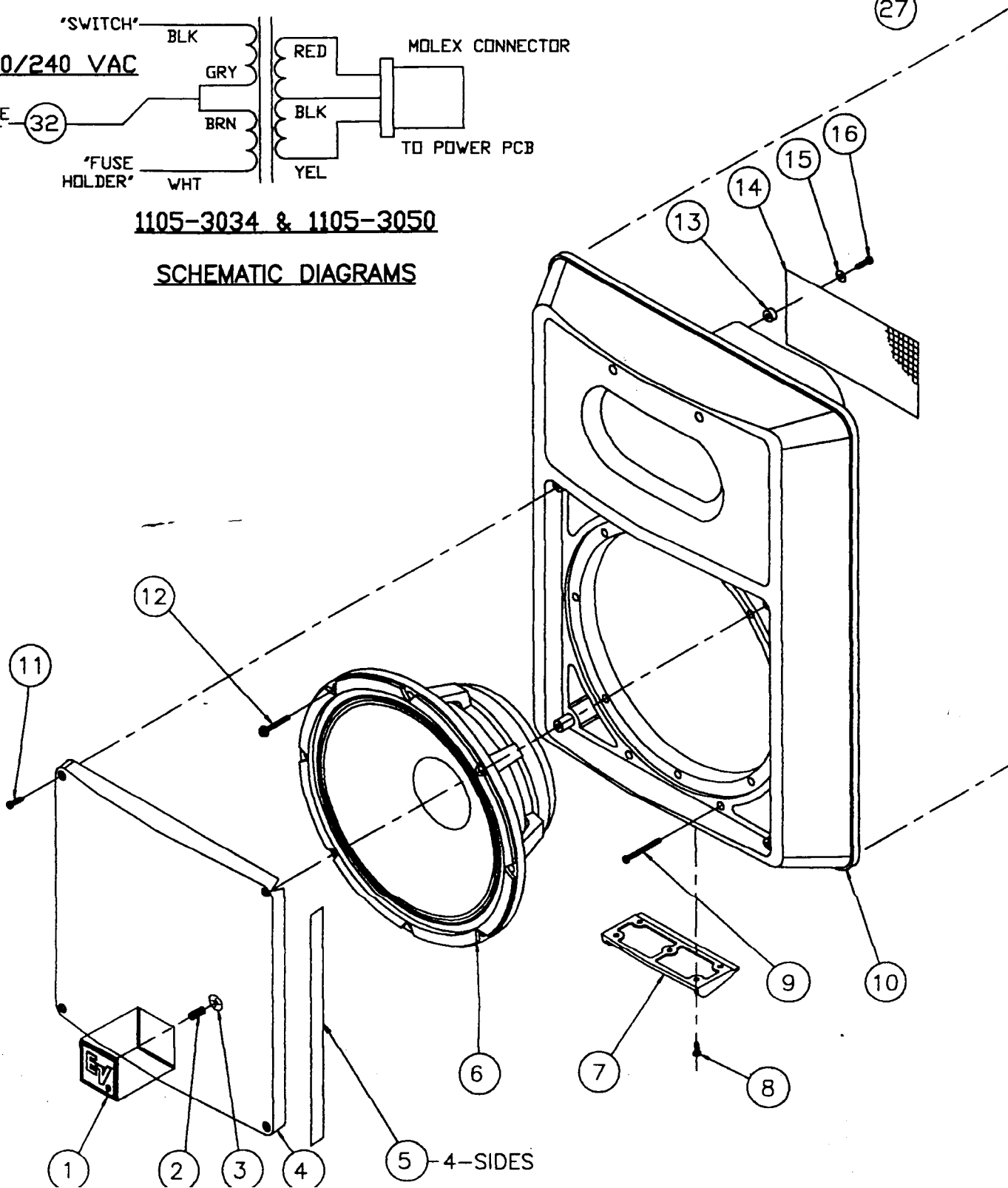




AMPLIFIER



SCHEMATIC DIAGRAMS



PARTS LIST

QUANTITIES SHOWN ARE FOR ONE COMPLETE UNIT

ITEM	PART NO.	QTY.	DESCRIPTION
1	49141	1	NAMEPLATE, EV LOGO, WHITE
2	19086	1	SPRING, SPIRAL
3	20745 AE	1	PUSH NUT, PALNUT #PS-125006
4	71494	1	GRILLE
5	28039	4	TAPE, FOAM, TESIMOL, 11 IN. LG.
6	812-3038 *	1	LOUDSPEAKER, 12 IN.; * PRIOR TO DATE CODE 9906
	812-3196 **	1	LOUDSPEAKER, 12 IN.; ** AFTER DATE CODE 9906
7	28309	1	FOOT, ANTI-TIP OVER
8	63284 CP	9	SCREW, #8-32 x 1/2, PAN HD., PHILLIPS
9	63282 CP	16	SCREW, #10-16 x 2" LG., PAN HD., PHILLIPS
10	71683	1	BAFFLE, FRONT
11	63283 CP	6	SCREW, #10-16 x 3/4, PAN HD., PHILLIPS
12	63286 CP	8	SCREW, M6 x 20 mm, HEX. WASHER HD.
13	20571	4	SPACER, STAND-OFF, RUBBER, 1/2 OD x 1/8 ID x 1/4 LG
14	71757	1	GRILLE, PORT
15	38691	4	WSHR, FLAT, 3/8 OD x 3/16 ID
16	63254 CP	4	SCR, #6-19 x 3/4, HEX WSHR HD, HI-LO
17	20590	4	PLUG, HOLE
18	4097 CP	1	WASHER, FLAT, PLAIN, STL., 1/4 IN.
19	20623 CP	1	BOLT, 1/4-20 x 3 1/2, RND HD, SQ NECK
20	28308	4	FOOT, RUBBER
21	71798	1	ENCLOSURE, REAR
22	63287 CP	1	SCREW, 1/4-20 x 3/4, THUMB
23	71490	1	HANDLE
24	28039	1	TAPE, FOAM, TESIMOL, 36 IN. LG.
25	84864	1	AMPLIFIER S/A, SX300A FOR 110v
	84865	1	AMPLIFIER S/A, SX300A FOR 230v AND 240v
26	63288 CP	10	SCREW, #10-16 x 3/4, HEX WSHR HD, HI-LO
27	73216	2	BRACKET, LOWER
28	15345	1	XFORMER, TOROIDAL FOR 110v AND 230v
	15352	1	XFORMER, TOROIDAL FOR 240v
29	20666 CV	1	NUT, 1/4-20, HEX, STL
30	3830	1	WASHER, LOCK, 1/4", INT TOOTH
31	38856	3	WASHER, RUBBER
32	20904	1	NUT, WIRE, IDEAL # 72B
33	534958	1	LABEL, AUSTRALIA (NOT SHOWN) FOR 1105-3050 ONLY
34	16764	1	CABLE, POWER (NOT SHOWN) FOR 110v
	60-06-037462	1	CABLE, POWER (NOT SHOWN) FOR 230v AND 240v

Free Manuals Download Website

<http://myh66.com>

<http://usermanuals.us>

<http://www.somanuals.com>

<http://www.4manuals.cc>

<http://www.manual-lib.com>

<http://www.404manual.com>

<http://www.luxmanual.com>

<http://aubethermostatmanual.com>

Golf course search by state

<http://golfingnear.com>

Email search by domain

<http://emailbydomain.com>

Auto manuals search

<http://auto.somanuals.com>

TV manuals search

<http://tv.somanuals.com>