



MB3 Wall/Ceiling Mounting Bracket Kit

The MB3 Wall/Ceiling Mounting Bracket Kit features robust brackets and hardware that allow for a Zx3 loudspeaker to be quickly and easily mounted to a wall or ceiling in almost any position to obtain the desired sound coverage.

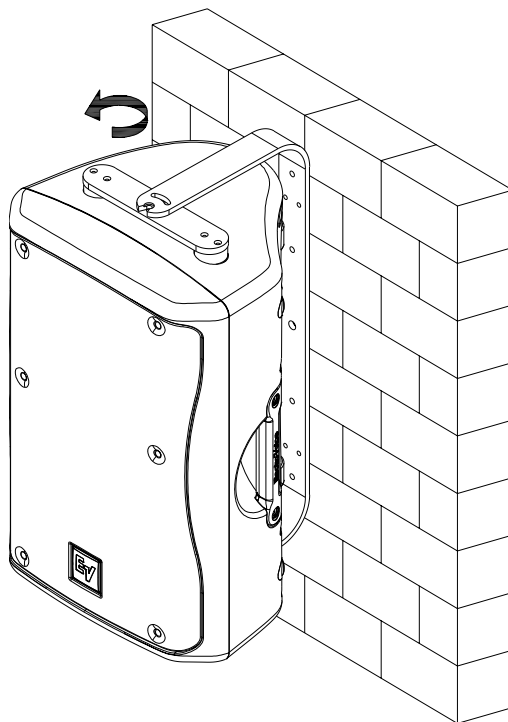


Figure 1: Suspending the Zx3 from a wall using the MB3

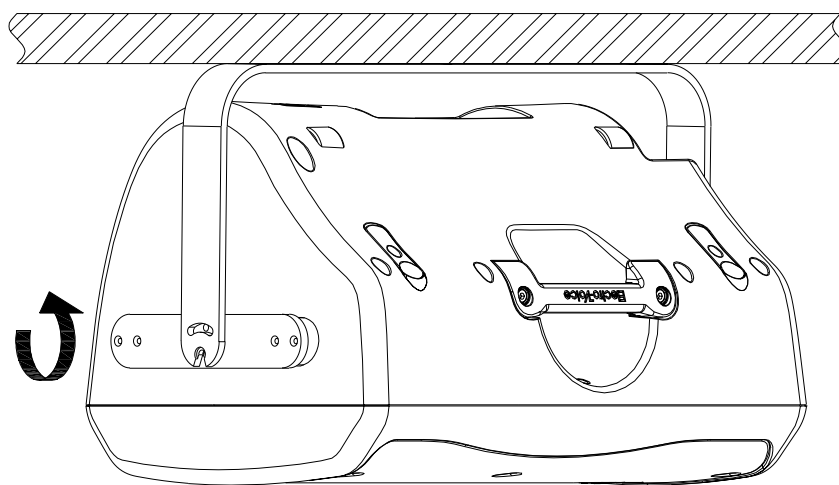


Figure 2: Suspending the Zx3 from a ceiling using the MB3



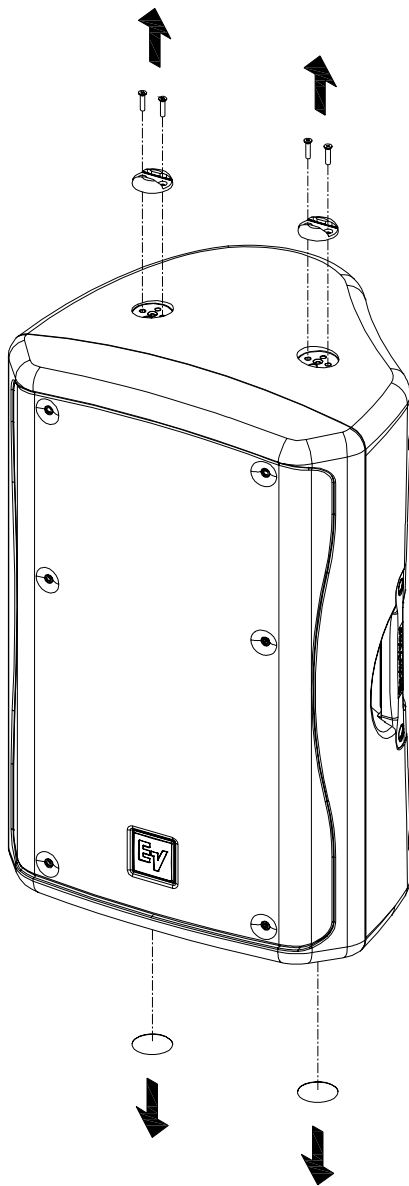


Figure 3: Removing hardware on the Zx3

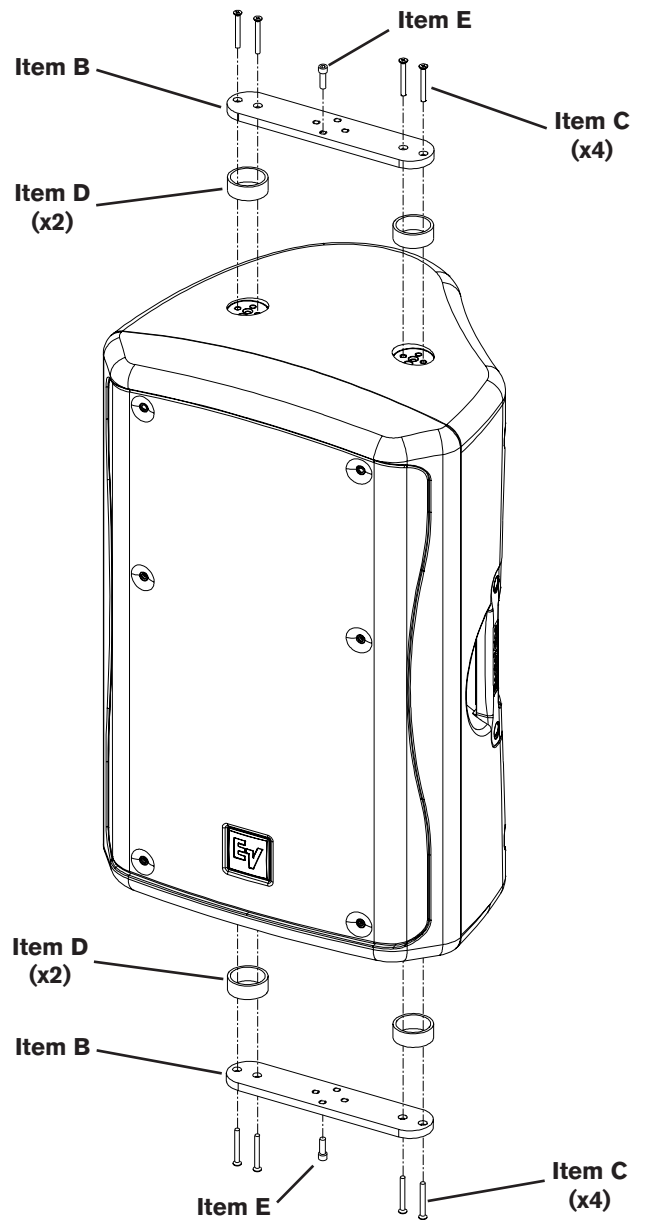


Figure 4: Installing the Spanning Brackets

Step 1: Attach Spanning Brackets

Remove the single-stud fittings on the top of the enclosure by removing the four screws, and remove the two decals on the bottom of the enclosure by using a knife or razor blade (Figure 3). Install the four spacers (Item D) and two spanning brackets (Item B), using the eight flat head screws (Item C). Thread two M8 cap screws (Item E) into the front threaded hole of each spanning bracket, until they are flush with the bottom of the spanning bracket (Figure 4).

MB3 Mounting Bracket Includes

Item	Description	Qty.
A	U-Bracket	1
B	Spanning Bracket	2
C	Screw, 10-32 x 1-3/4", Flat Head	8
D	Spacer	4
E	Socket Head Cap Screw, M8x20mm	4
F	Washer, M8	2
G	Lock Washer, M8	2

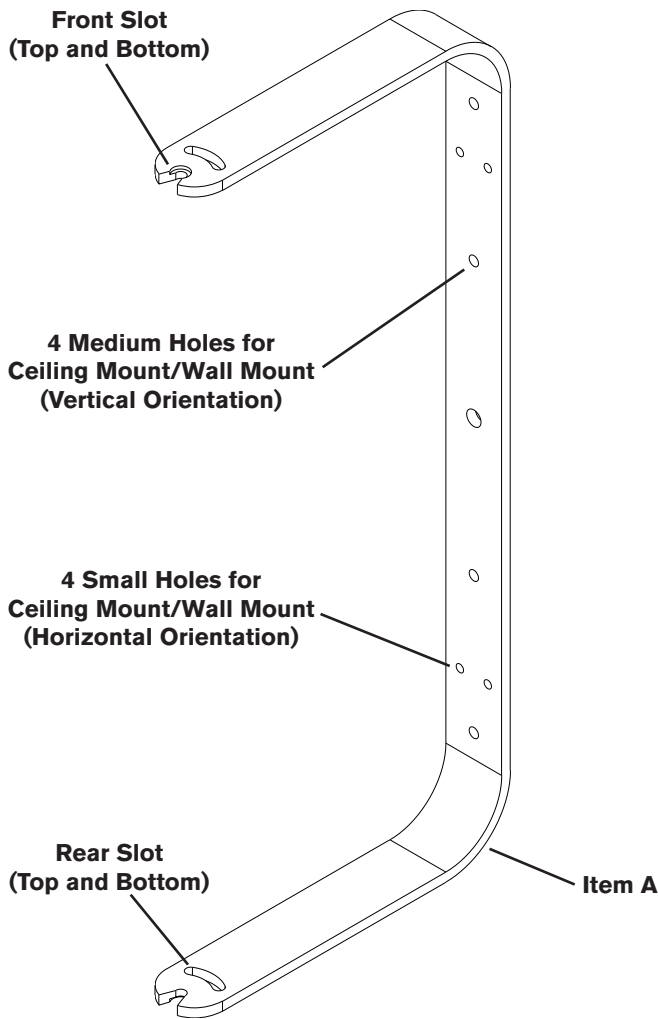


Figure 5: MB3 U-Bracket Features

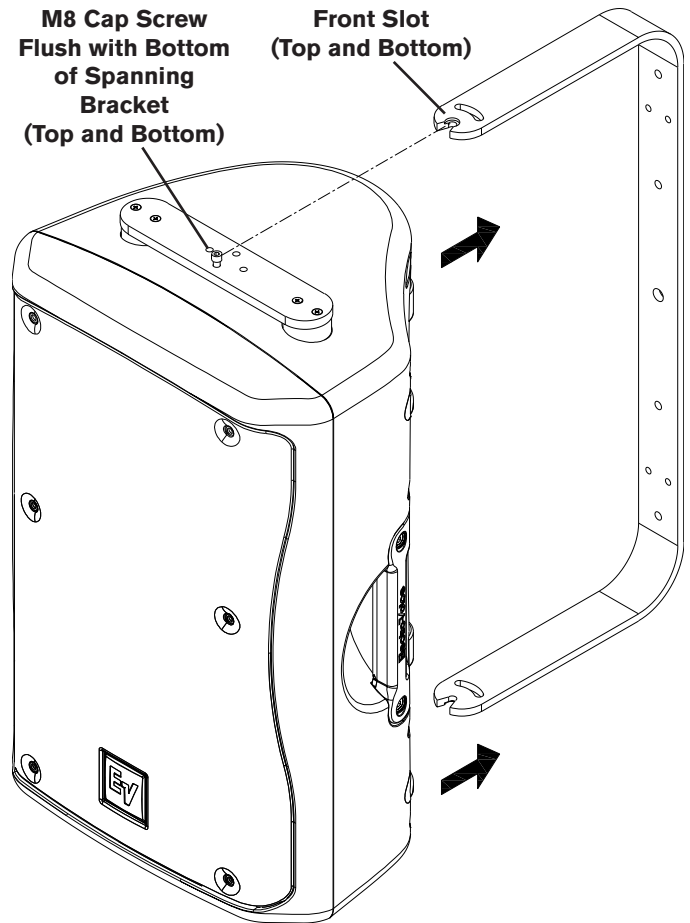


Figure 6: Aligning the Zx3 Enclosure with the U-Bracket

Step 2: Mount the U-Bracket

Mount the U-bracket (Item A) to a wall or ceiling using the appropriate holes (Figure 5). Use fasteners (not included) that are suitable for the construction material of the wall or ceiling. See dimension diagrams for mounting hole patterns and dimensions.

Step 3: Mount the Zx3 to the U-Brackets

Slide the Zx3 into the U-bracket by aligning the M8 cap screws with the front slots of the U-bracket (Figure 6). The weight of the Zx3 will pull the top M8 cap screw into the recess of the front slot of the U-bracket (wall mount/vertical orientation only). Rotate the Zx3 to the desired orientation (Figure 7), and install the two M8 washers (Item F), two M8 lock washers (Item G), and two M8 cap screws (Item E), using the threaded hole that aligns with the rear slot. Tighten the four M8 cap screws (Figure 8).

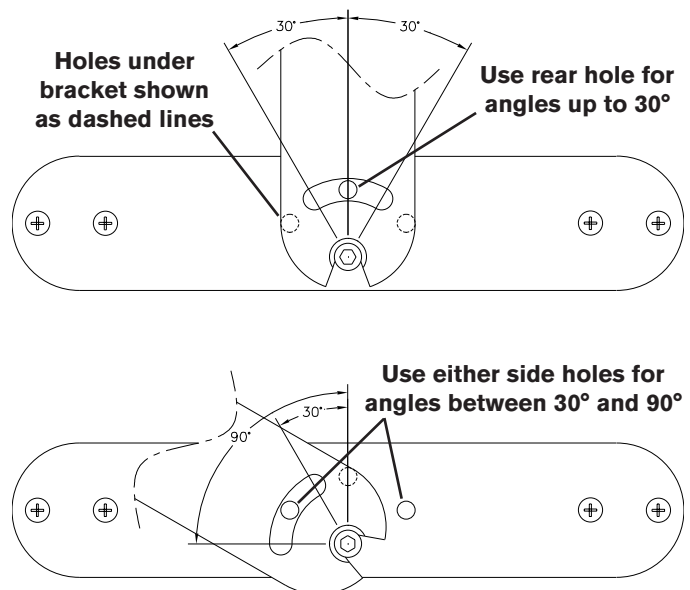


Figure 7: Rotating to desired angle

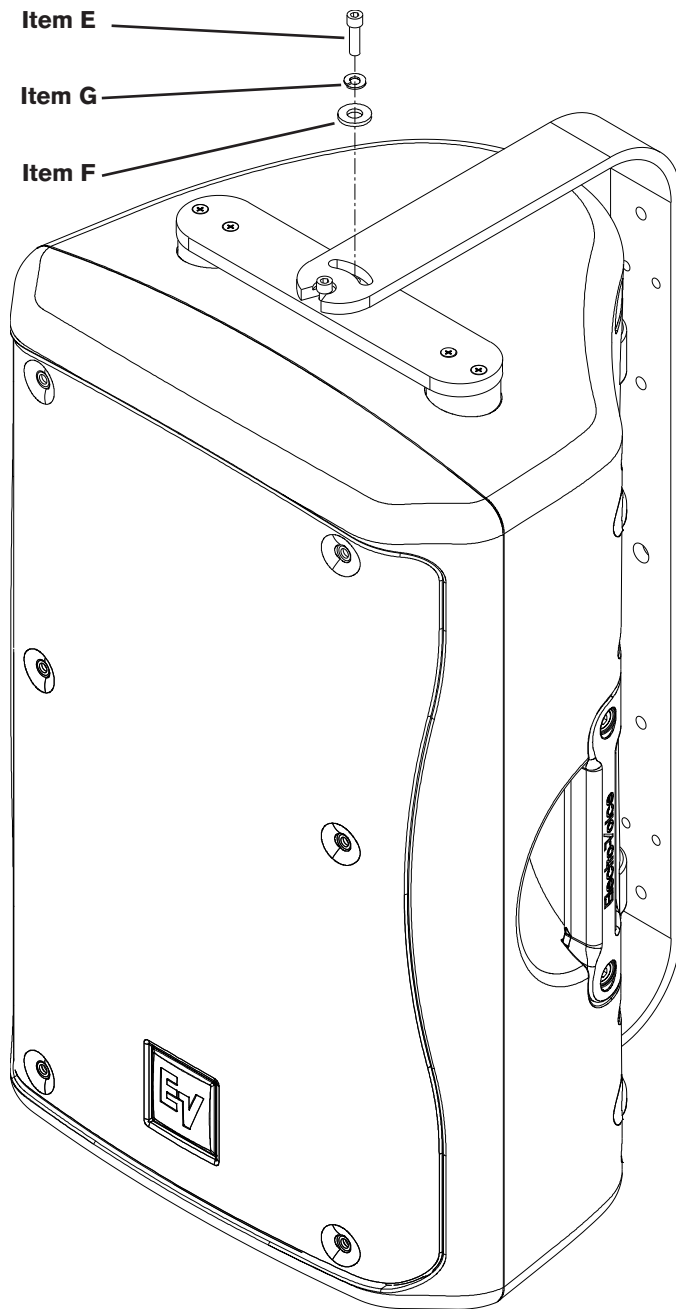


Figure 8: Tightening all screws after aligned to desired angle (Bottom screws not shown)

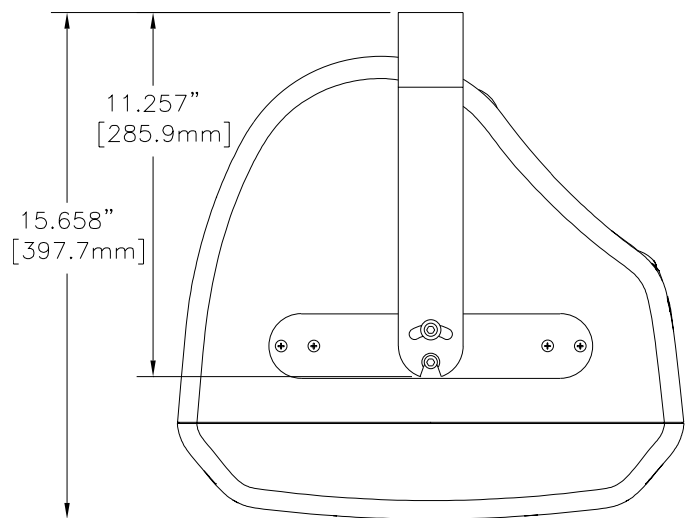


Figure 9: MB3 Top View Dimensions

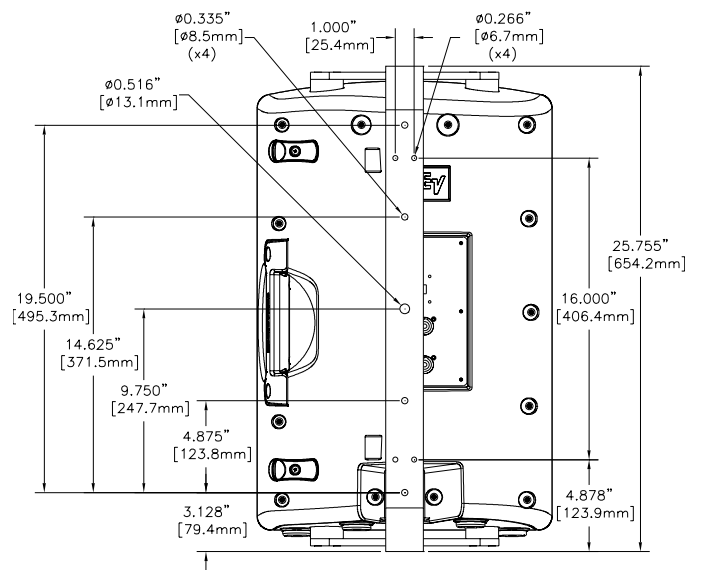


Figure 10: MB3 Rear View Dimensions



WARNING: Suspending any object is potentially dangerous and should only be attempted by individuals who have a thorough knowledge of the techniques and regulations of suspending objects overhead. Electro-Voice® strongly recommends that all speakers be suspended taking into account all current national, federal, state and local regulations. It is the responsibility of the installer to ensure that all speakers are safely installed in accordance with all such regulations. When speakers are suspended, Electro-Voice® strongly recommends that the system be inspected at least once a year. If any sign of weakness or damage is detected, remedial action should be taken immediately. The user is responsible for making sure that the wall or ceiling is capable of supporting the loudspeaker. Any hardware used to suspend a loudspeaker that is not associated with Electro-Voice® is the responsibility of others.

Electro-Voice®

12000 Portland Avenue South, Burnsville, MN 55337
Phone: 952/884-4051, Fax: 952/884-0043

www.electrovoice.com

© Bosch Communications Systems 06/2008

Part Number LIT000162 Rev A

U.S.A. and Canada only. For customer orders, contact Customer Service at:
800/392-3497 Fax: 800/955-6831

Europe, Africa, and Middle East only. For customer orders, contact Customer Service at:
+ 49 9421-706 0 Fax: + 49 9421-706 265

Other International locations. For customer orders, Contact Customer Service at:
+ 1 952 884-4051 Fax: + 1 952 887-9212

For warranty repair or service information, contact the Service Repair department at:
800/685-2606

For technical assistance, contact Technical Support at: **866/78AUDIO**

Specifications subject to change without notice.

Free Manuals Download Website

<http://myh66.com>

<http://usermanuals.us>

<http://www.somanuals.com>

<http://www.4manuals.cc>

<http://www.manual-lib.com>

<http://www.404manual.com>

<http://www.luxmanual.com>

<http://aubethermostatmanual.com>

Golf course search by state

<http://golfingnear.com>

Email search by domain

<http://emailbydomain.com>

Auto manuals search

<http://auto.somanuals.com>

TV manuals search

<http://tv.somanuals.com>