

Electrolux Cold Rooms

-10/-21° - 3,1/6,1 m³

Electrolux cold rooms are available in a vast range of different sizes and functionalities. They are designed to work in tropical temperatures (+43°C). The range consists of coolers (-2/+8°C) with panels 60 mm in thickness, freezers cold rooms (-10/-21°C) with panels 100 mm in thickness and with built-in or remote refrigerating unit. The five models detailed on this sheet are freezer cold rooms with a usable volume of 3,1 to 6,1 cubic meters. Models come with panels and gas pre-charged cooling unit.



Shelving as accessory

CONSTRUCTION

- Very short assembly time. Expert refrigeration knowledge is not required for installation.
- New vacuum injection technology which permits to have significant enhancement on the performances of the panels and high quality.
- Panels are clad inside and outside with anti-scratch prepainted galvanized steel. Polyurethane foam insulation. CFC and HCFC free.
- Rounded internal and external corners. All edges are radiused.
- Anti-slip walk-in floor in.
- The fast-fit centering system allows perfect alignment of the panels. These new fasteners are made of high resistant composite materials and guarantee perfect grip of all components.
- Airtight panels connection. All sides of panels have PVC gasket foamed in place to assure airtight and secure fitting. Any other sealing between panels on site is eliminated.

- The refrigeration unit is mounted on a modular panel for easy installation and quick set-up of the cold room. All the refrigeration units are tropicalized (+43°C) and use R404A refrigerant and are supplied with a high/low temperature alarm.
- If the floor on which the cold rooms will be installed presents irregularities or unevenness up to 1 cm, then the surface of the floor should be levelled.

PERFORMANCES

- Defrosting through heated gas with re-evaporation of defrosting water permits to reduce the total power installed, shorten defrosting time and limit the warming of the cold room.
- All models are equipped with internal lighting (waterproof IP54) mounted on the refrigerating unit panel.

- The control panel includes: luminous ON/OFF switch, internal lighting switch, cold room functioning indicator, defrost cycle indicator, temperature and thermostat control with digital display.
- The right-hinged door is available as standard (left-hinged door on request) and constructed with smooth rounded profiles, airtight magnetic gasket and high insulation thus allowing to reduce energy and operating costs.
- Newly designed handle complete with lock and interior safety release to prevent entrapment when the door is accidentally locked from outside.
- HACCP monitoring is possible through a serial port supplied on all models.
- Conform to ruling European safety and hygiene standards and H marked.



Electrolux

Electrolux Cold Rooms
-10/-21° - 3,1/6,1 m³

HFBA060

2009-10-06

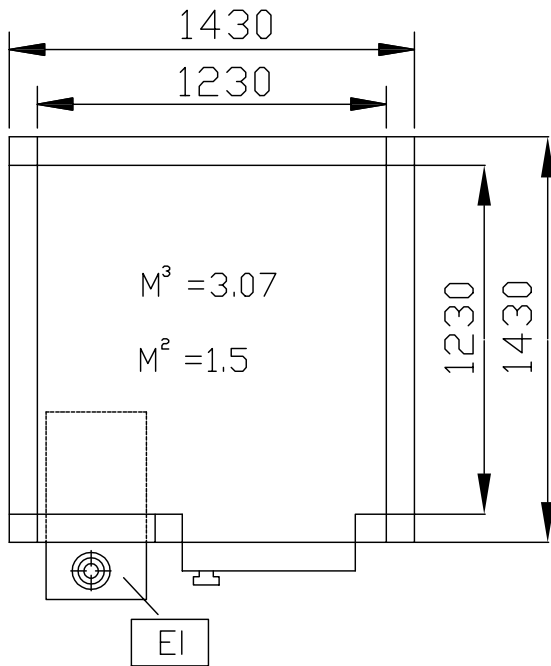
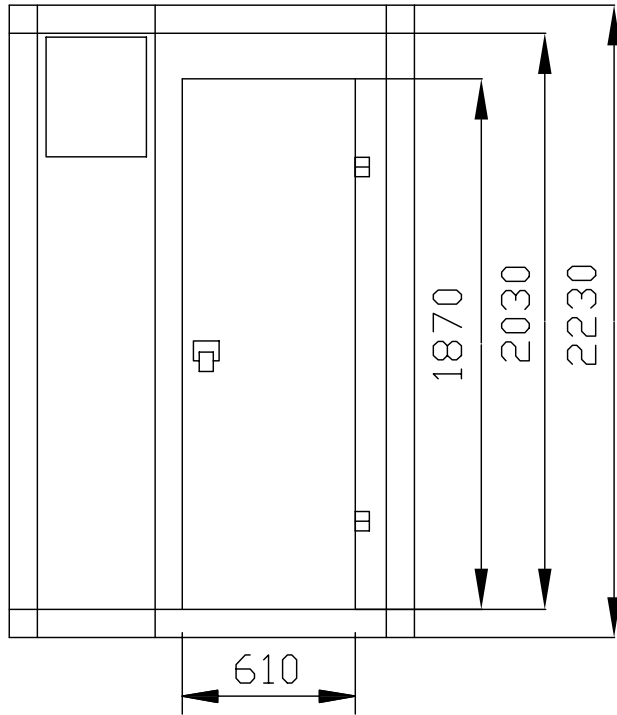
Subject to change without notice

| | CR12F031S 102029 | CR16F041S 102285 | CR16F054S 102286 | CR20F051S 102290 | CR24F061S 102295 |
|---|---------------------|---------------------|---------------------|---------------------|---------------------|
| TECHNICAL DATA | | | | | |
| External dimensions - mm | | | | | |
| width | 1430 | 1830 | 1830 | 2230 | 2630 |
| depth | 1430 | 1430 | 1830 | 1430 | 1430 |
| height | 2230 | 2230 | 2230 | 2230 | 2230 |
| Compressor power - HP | 1.2 | 1.2 | 1.7 | 1.7 | 1.7 |
| Electrical power - kW | 1.15 | 1.15 | 1.15 | 1.4 | 1.4 |
| Net weight - kg. | 0.1 | 304 | 351 | 336 | 359 |
| Power supply - V, phases, Hz | 220/230 V, 1N, 50 | 230 V, 1N, 50 | 230 V, 1N, 50 | 230 V, 1N, 50 | 230 V, 1N, 50 |
| Usable volume - m³ | | 4,1 | 5,4 | 5,1 | 6,1 |
| Usable surface area - m² | | 2,00 | 2,66 | 2,50 | 2,99 |
| ACCESSORIES | | | | | |
| ALUM.SHELV.,POLY.TIERS-COLDROOM 123X123 | 137108 | | | | |
| ALUM.SHELV.,POLY.TIERS-COLDROOM 163X123 | | 137090 | | | |
| ALUM.SHELV.,POLY.TIERS-COLDROOM 163X163 | | | 137091 | | |
| ALUM.SHELV.,POLY.TIERS-COLDROOM 203X123 | | | | 137095 | |
| ALUM.SHELV.,POLY.TIERS-COLDROOM 243X123 | | | | | 137100 |
| DOOR MICROSWITCH | | 102441 | 102441 | 102441 | 102441 |
| GRAPHIC TEMPERATURE RECORDER | 102025 | 102025 | 102025 | 102025 | 102025 |
| KIT HACCP ADV.CONNECTION FOR COLD ROOMS | 102021 | 102021 | 102021 | 102021 | 102021 |
| PLASTIC CURTAIN FOR 65CM DOOR CLEARANCE | 102027 | 102027 | 102027 | 102027 | 102027 |
| PRINTER FOR HACCP BASIC VERSION REFRIG. | | 881457 | 881457 | 881457 | 881457 |
| PRINTER FOR TEMPERATURE RECORDER | 102026 | 102026 | 102026 | 102026 | 102026 |

Internet: <http://www.electrolux.com/foodservice>

Electrolux Cold Rooms
-10/-21° - 3,1/6,1 m³

102029



| | |
|---|-----------------------------------|
| LEGEND EI - Electrical connection | CR12F031S 102029 |
| | 220/230 V, 1N, 50 |

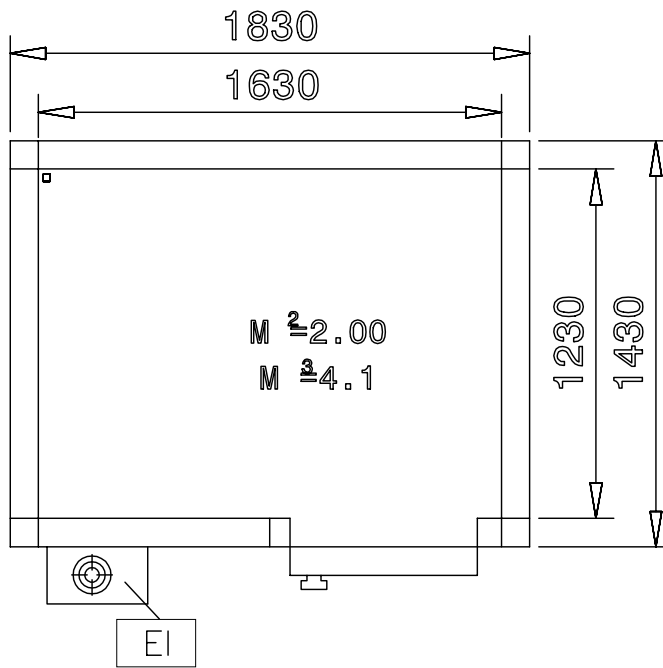
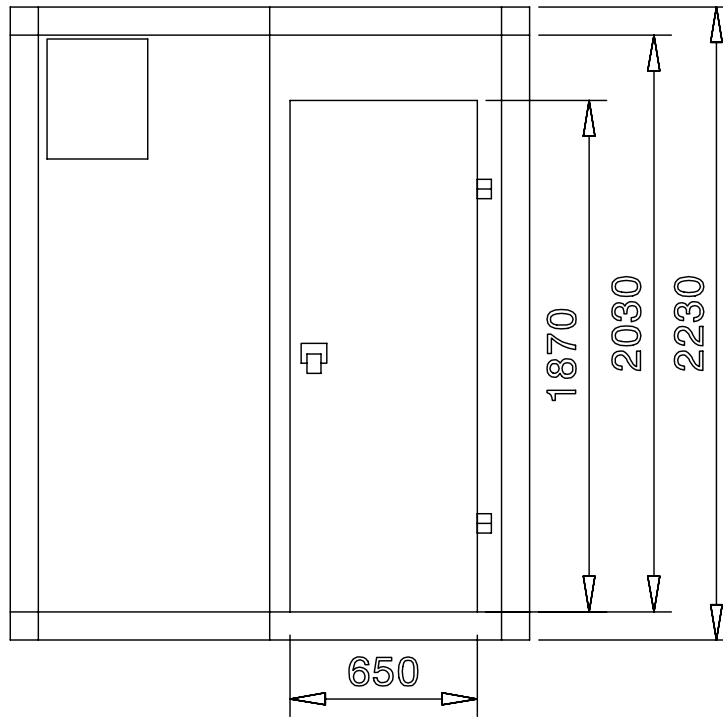
HFBA060

2009-10-06

Subject to change without notice

Electrolux Cold Rooms
 -10/-21° - 3,1/6,1 m³

102285



| | |
|---|---------------------|
| LEGEND EI - Electrical connection | CR16F041S 102285 |
| | 230 V, 1N, 50 |

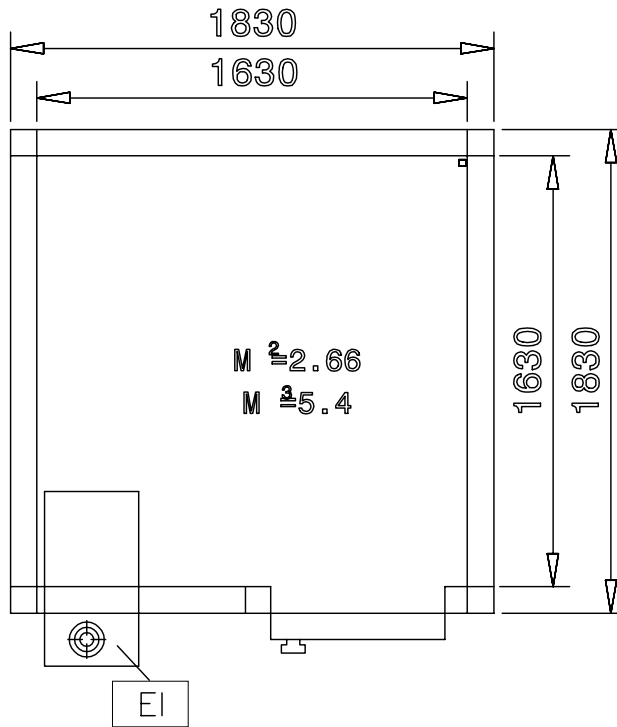
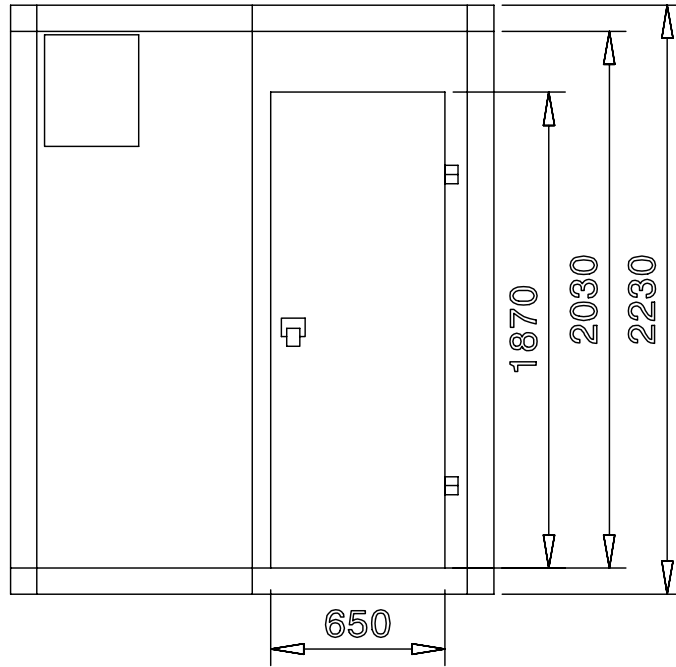
HFBA060

2009-10-06

Subject to change without notice

Electrolux Cold Rooms
 -10/-21° - 3,1/6,1 m³

102286



| | |
|---|---------------------|
| LEGEND EI - Electrical connection | CR16F054S 102286 |
| | 230 V, 1N, 50 |

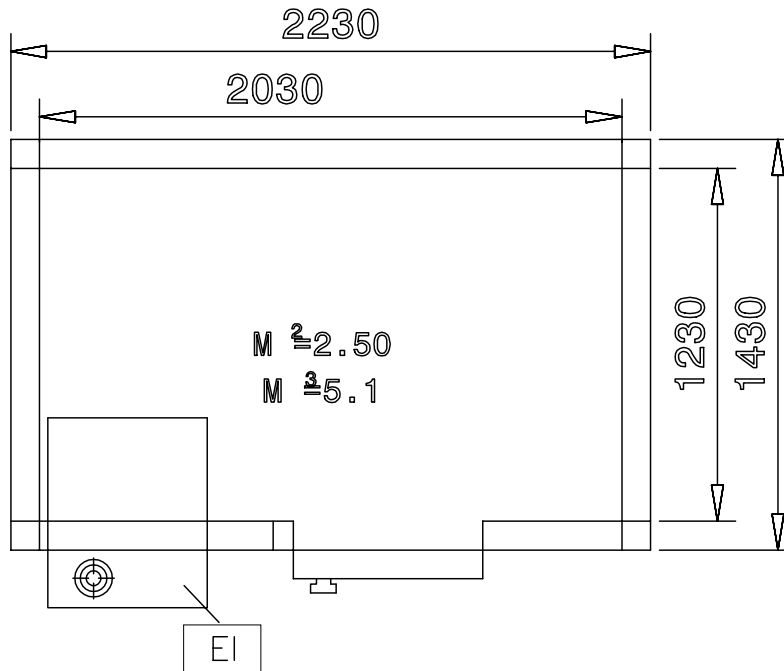
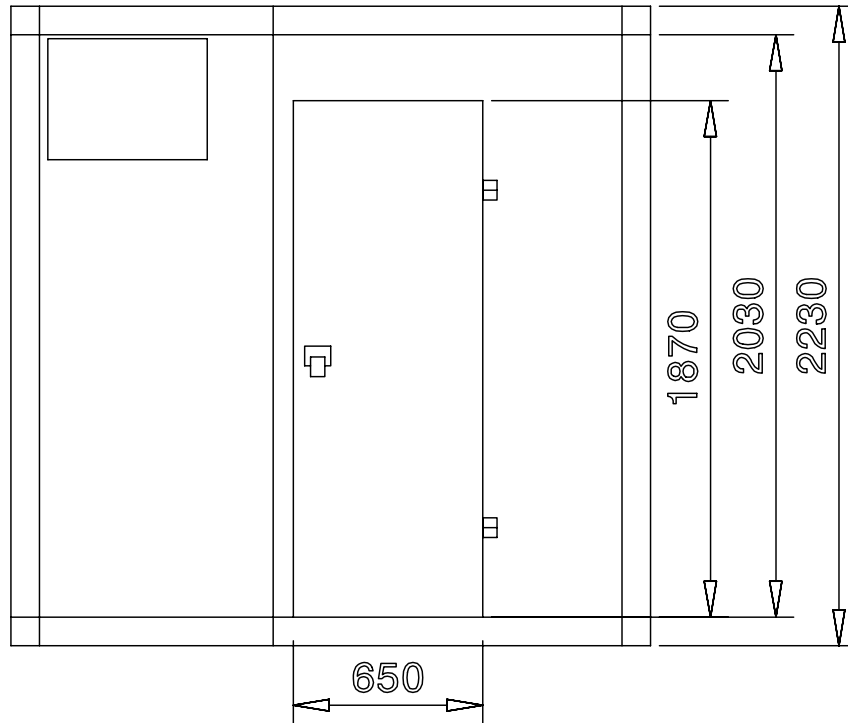
HFBA060

2009-10-06

Subject to change without notice

Electrolux Cold Rooms
-10/-21° - 3,1/6,1 m³

102290



| | |
|---|---------------------|
| LEGEND EI - Electrical connection | CR20F051S 102290 |
| | 230 V, 1N, 50 |

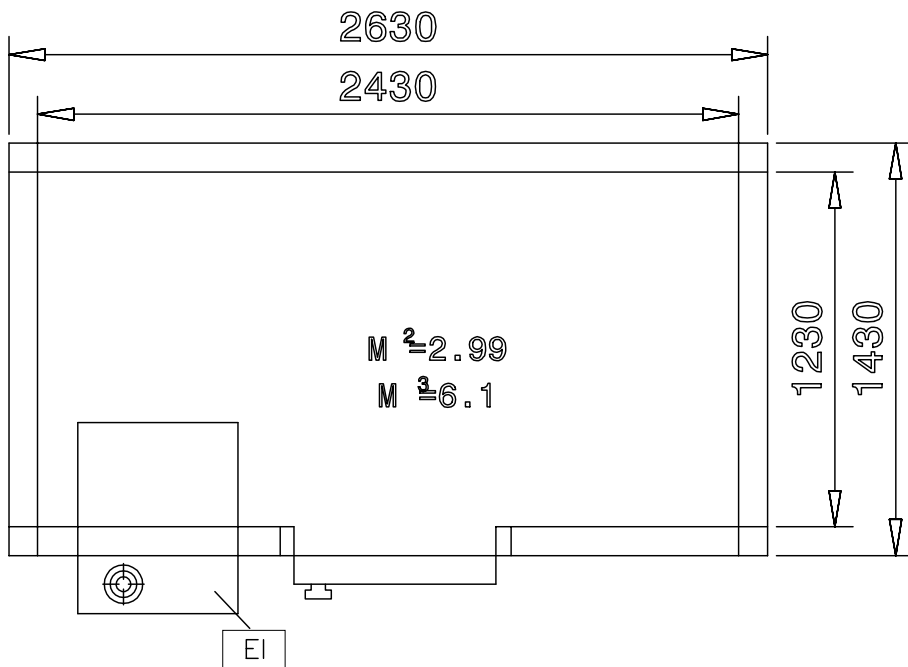
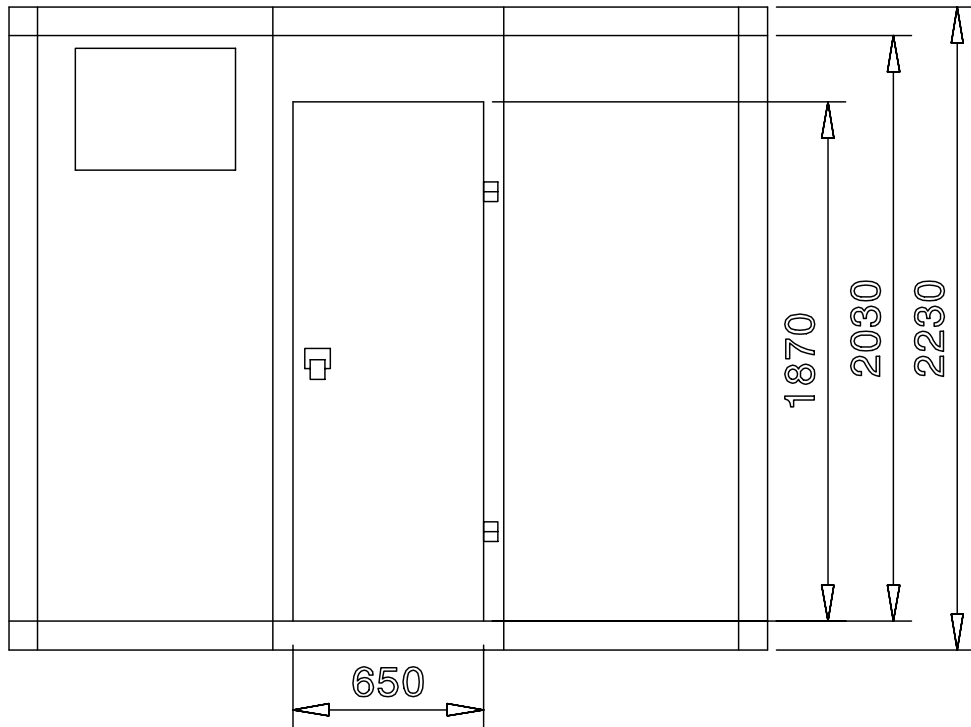
HFBA060

2009-10-06

Subject to change without notice

Electrolux Cold Rooms
-10/-21° - 3,1/6,1 m³

102295



| | |
|---|---------------------|
| LEGEND EI - Electrical connection | CR24F061S 102295 |
| | 230 V, 1N, 50 |

HFBA060

2009-10-06

Subject to change without notice

Free Manuals Download Website

<http://myh66.com>

<http://usermanuals.us>

<http://www.somanuals.com>

<http://www.4manuals.cc>

<http://www.manual-lib.com>

<http://www.404manual.com>

<http://www.luxmanual.com>

<http://aubethermostatmanual.com>

Golf course search by state

<http://golfingnear.com>

Email search by domain

<http://emailbydomain.com>

Auto manuals search

<http://auto.somanuals.com>

TV manuals search

<http://tv.somanuals.com>