

The New Industrial
MasterCool
 BY CHAMPION COOLER



Models

(Double Inlet)

AD100, AS100, AD10012, AS10012

AD150, AS150, AD15012, AS15012

AD20012, AS20012, AU20012

(Single Inlet)

SAD100, SAS100, SAD10012, SAS10012

SAD150, SAS150, SAD15012, SAS15012

Circle the model of your cooler and record the serial number below.

Encierre con un circulo el modelo de su enfriador y escribe el número de serie abajo.

Serial #
 Número De Serie _____

Read Carefully All Of This Manual Before Installing The Unit.

Lea Con Cuidado Todo Este Manual Antes De Instalar La Unidad.

Read And Save These Instructions

Vea el Español en el interior.

Table Of Contents

Safety Instructions2
 Operation.....2
 Installation Instructions.....2-3
 Maintenance Section.....3
 Troubleshooting4
 Warranty4
 Electrical Wiring Diagrams.....5
 General Specifications6

Parts List - Wet Section (All models)6-7
 Parts List - Blower Section (AD100B, AD150B, AD200B)..... 8
 Parts List - Blower Section (AS100B, AS150B, AS200B)..... 9
 Parts List - Blower Section (AU200B) 10
 Parts List - Blower Section (Single Inlet Coolers)..... 11
 Motor Specifications 12
 Pulley and Belt Kit Specifications 12
 Spanish (*Instrucciones en Español*).....13-16

Safety Rules

1. Read instructions carefully.
2. Disconnect all electrical service that will be used for the unit before you begin the installation.
3. Electrical hook up should be done by a qualified electrician, so that all electrical wiring will conform to your local standards.
4. For maximum safety, make sure cooler cabinet is properly grounded to a suitable ground connection.
5. Cooler must be connected to proper line current, voltage and cycle, as stamped on cooler motor and pump motor specification plate.
6. Do not allow pump to tip over and become submerged.
7. Always **TURN OFF POWER** before performing any maintenance.

Operation

For the best cooling performance, if the pads are dry, pre-wet the pads by running the pump for a few minutes before starting the blower.

These coolers may also be used without water for ventilation purposes. When outside air is cool (for example, at night) or when humidity is high the water pump can be turned off.

Important: To cool efficiently, you must exhaust the stale or used air from the building. Open windows or doors or use exhaust fans located away from the cooler and in the direction you wish to cool the air. The air will flow in the direction of the exhaust openings. A common guide for the amount of exhaust opening needed is to have at least 2 square feet of opening per 1000 CFM.

Installation

CAUTION: Make sure that the mounting surface is strong enough to support the operating weight of the cooler when in use. (For operating weight, see the general specification table.)

CAUTION: Do not start cooler until installation is complete and unit has been tested for rigidity.

CAUTION: Make sure all bolts are securely tightened before starting the cooler.

- **Wet sections.** The wet sections are bolted to the blower section using the connector brackets, lift brackets and bolts provided. Match the colored dots on the wet section to the appropriate dot on the blower section to insure correct installation.
- **Ductwork.** See the General Specification table for dimensions of duct opening. For down discharge units, the duct must go inside the opening. Size these ducts slightly smaller than the duct opening in the cooler. The side and up discharge units have a 1 inch flange. Size these ducts larger than the duct opening to fit over the flange of these units.

Note: Curbs are not provided. The installer is responsible for providing curbs or other means to support the cooler.

Motor Installation

- **Motor mounting.** Slide the heads of the provided carriage bolts into the slots of the adjustable channels. Slide these channels sideways in the slotted holes to align with the holes in the motor base and to align the motor shaft with the blower pulley. Mount the motor to the

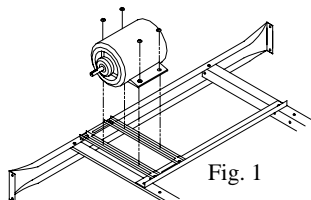


Fig. 1

motor mount using these carriage bolts and the washers and nuts provided (see Fig. 1). Make sure all bolts are securely tightened.

- **Motor pulley.** Install the motor pulley so that it aligns with the blower pulley (see Fig. 2) and tighten set screw. See page 3 for instructions on adjusting pulley.

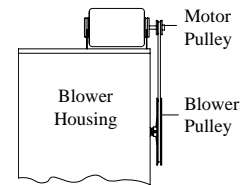


Fig. 2

Electrical Connection

NOTE: Local building code regulations must be observed.

WARNING: Disconnect all electrical services that are used for this unit before beginning any service to the cooler.

- **Electrical supply.** Cooler must be supplied with the proper line current, voltage and frequency, as stamped on blower motor and pump motor specification plate. See the wiring diagrams on page 4 for typical electrical connections. **Note: Connecting improper voltage to motor will void motor warranty.**
- **Wire sizing.** The conductor sizes are to be determined by motor loads and length of run per national and local electrical codes.
- **Switches or contactors.** Motors require switches or contactors of proper current capacity and should be sized and installed by a qualified electrician.
- **Wiring.** The electrical junction box is located in the upper inside of the divider channel. Remove the two screws and pull the box out from the channel to access wiring (Fig. 3). Connect the pump supply wiring to the pump receptacles (See the pump wiring diagrams on the next page). Connect the motor supply wiring directly to the blower motor.

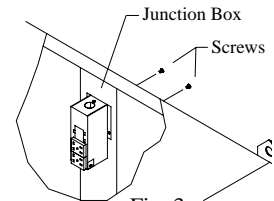


Fig. 3

WARNING: Make sure that cooler cabinet is properly grounded to a suitable ground connection for maximum safety.

Water Connections

- **Overflow assembly.** Remove nut and place nipple through the hole in the pan, with the rubber washer between the pan and the head of the drain nipple (Fig. 4). Screw on nut and draw up tight against bottom of pan. Insert overflow pipe in nipple to retain water. Overflow pipe may be removed to drain pan when necessary. A garden hose may be screwed on the drain nipple to drain water away from your unit.

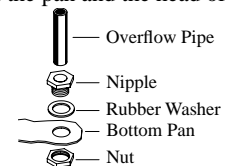


Fig. 4

- **Pump.** The pump must be secured to prevent it from tipping over. Secure the pump to the pump mounting bracket (item 16 in parts drawing). Remove a nut located under the head of the pump, place the pump bolt through the hole in the mounting bracket, and secure with the nut that was previously removed. Plug pump into receptacles. Retain pump cords to internal braces to prevent cords from dropping into water reservoirs or contacting moving components.
- **Supply water.** Run a water supply line to the unit. Each wet section requires a 3/8 inch tube connection to the float valve. The double inlet units will have two float valves, one for each wet section. **Note: Do not use water supplied from a water softener.**
- **Float valve.** Refer to Fig. 5 to install float. Remove items 1, 2, 3, and 4. Insert float body (5) through hole in splash plate (9) and back post panel as shown. Install washer (1) and nut (2). Tighten to

keep float from turning. Place nut (4) and ferrule (3) on water supply line. Connect to float fitting and tighten until water tight. Turn on water supply and check for leaks. Loosen screw (6) and adjust rod (7) until water level is within 1" of top of reservoir. Tighten screw (6). Slide float shield (8) over float body (5) until it snaps into place.

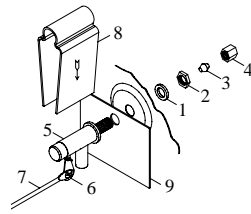


Fig. 5

- **Bleed-Off.** Use of the bleed-off kit is recommended to prevent scale build up by bleeding off small amounts of circulating water during operation. Do not add any type of water treatment chemicals to the water since they may damage the evaporative media.

Pulley And Belt Adjustments

- **Pulley adjustment.** With an ammeter, check the motor amperage. Adjust the pulley until the amperage draw on the motor is just below that specified on the motor nameplate. To adjust the pulley, loosen the adjustment set screw and rotate the sheave. Tighten the set screw so that it is over a flat area, otherwise thread damage will occur. To increase amperage draw, increase pulley diameter. To decrease amperage draw, decrease pulley diameter (see Fig. 6). Recheck belt alignment.

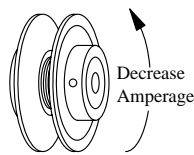


Fig. 6

CAUTION: Always check the amperage of the motor after adjusting pulley to be certain it does not exceed the amperage stamped on the motor specification plate. Improper pulley adjustment will overload and burn out the motor.

- **Belt tension.** Loosen the motor mount bolts and slide the motor back until the belt is properly tensioned. A 3 lb. force should deflect the belt 3/4 inches (see Fig. 7). Retighten motor mount bolts. Do not adjust pulley to tighten belt.

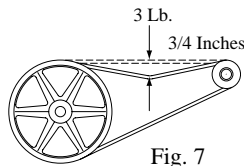


Fig. 7

Maintenance

WARNING: Before doing any maintenance be sure to disconnect from power source. This is for your safety.

Spring Start-Up

- **Belt tension.** Check belt tension and readjust if needed.
- **Grease bearings.** The blower bearings in this unit should be greased once a year with a good grade of ball bearing grease.
- **Cleaning pads.** A clean pad is more absorbent, efficient and will give more cool air. Annually, or when required, using a garden hose with nozzle, back wash to clean out the openings, then clean off the inlet face any scale or other obstruction to the passages. Slight scraping may be required to remove hardened scale.

- **Pad replacement.** The pads should be replaced after 5 years or if necessary. To change pads, remove top access panel, remove grill, and disconnect water delivery tube. Remove water distributor holder and lift out media sections. Replace with the same type media. You can purchase them from your dealer.

IMPORTANT: In order to get the best performance from your cooling pads, they must be installed properly. If you have purchased a pad with two equal angles, the following instructions can be disregarded. Pads must always be installed with the steeper flute angle sloping down towards the air entering side (Fig. 8). The reason is simple. The steeper angle puts more water on the hot, dry, dirty side of the pad where it is needed most. It also counteracts the tendency of the air to push the water toward the back of the pad.

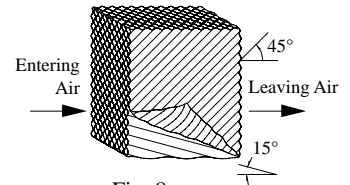


Fig. 8

- **Cleaning pump.** Cleaning the pump is necessary once a year at start-up. For your safety, disconnect from power source and unplug pump. Remove the pump from the mount bracket. Remove the base of the pump (Fig. 9). Clean the pump and turn the impeller to ensure free operation. Remove the pump spout and check for any blockage. After cleaning, reinstall the base onto the pump. Reattach the pump to the mount in the cooler to ensure that the pump will not overturn. Do not forget to replace the spout and water delivery tube onto the pump outlet. The pump has automatic reset thermal protection. Pump will operate normal again after obstruction is cleared.

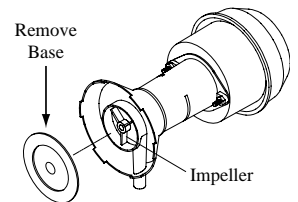


Fig. 9

- **Bleed off.** Check bleed-off valve to be sure it is not clogged.

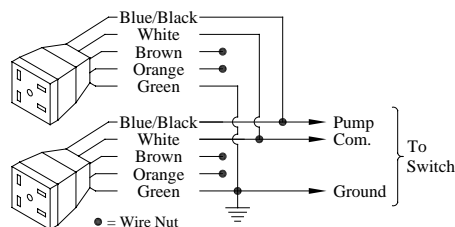
Winter Shut Down

- **Drain water.** Always drain all of the water out of the cooler and water supply line when not in use for prolonged periods, and particularly at the end of the season. Keep the water line disconnected from both the unit and water supply so that it does not freeze.
- **Disconnect from power supply when not in use for extended periods of time.**
- **Cover unit.** To protect the life of the finish, a cover for the unit is suggested in extended periods of non use.

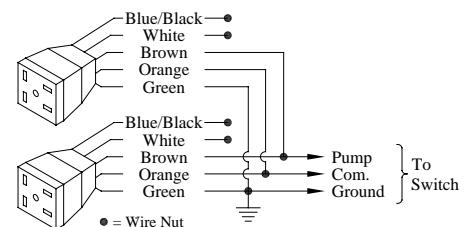
By following the operating, installation, and maintenance suggestions as outlined, you can get many years of efficient and satisfactory service from your cooler. In the event additional information is desired, your dealer will be more than glad to assist you in every possible way.

Pump Wiring Diagrams

120 Volts



240 Volts



Troubleshooting Guide

Problem	Possible Cause	Remedy
Failure to start or no air delivery	<ol style="list-style-type: none"> No electrical power to unit <ul style="list-style-type: none"> Fuse blown Circuit breaker tripped Belt too loose or tight Motor overheated <ul style="list-style-type: none"> Belt too tight Blower bearings dry Motor bearings dry Motor pulley diameter too large Motor locked 	<ol style="list-style-type: none"> Check power <ul style="list-style-type: none"> Replace fuse Reset breaker Adjust belt tension Determine cause of overheating <ul style="list-style-type: none"> Adjust belt tension Grease blower bearings Oil motor bearings Adjust pulley to correct diameter Replace motor
Inadequate air delivery with cooler running	<ol style="list-style-type: none"> Insufficient air exhaust Belt too loose Pads plugged Insufficient water flow over pads 	<ol style="list-style-type: none"> Open windows or doors to increase air flow Adjust belt tension or replace if needed Clean pads Clean distribution system
Musty or unpleasant odor	<ol style="list-style-type: none"> Stale or stagnate water in cooler Pads not wetting properly <ul style="list-style-type: none"> Dist. tube holes clogged Pump not working properly Insufficient water flow over pads 	<ol style="list-style-type: none"> Drain pan and clean pads Check water distribution system <ul style="list-style-type: none"> Clean Replace or clean pump (Unplug) Clean water distribution system

Problem	Possible Cause	Remedy
Motor cycles on and off	<ol style="list-style-type: none"> Low voltage Excessive belt tension Blower shaft tight or locked Bearings dry Motor pulley diameter too large causing motor overload Faulty motor 	<ol style="list-style-type: none"> Check voltage Adjust belt tension Grease or replace bearings (Disconnect unit) Grease bearings Adjust pulley so full load ampere rating of motor is not exceeded Replace motor
Noisy	<ol style="list-style-type: none"> Bearings dry Wheel rubbing blower housing Loose parts 	<ol style="list-style-type: none"> Grease bearings Inspect and realign (Disconnect unit) Tighten loose parts
Inadequate cooling	<ol style="list-style-type: none"> Inadequate exhaust in house Pads not wet <ul style="list-style-type: none"> Pads plugged Dist. tube holes clogged Pump not working properly 	<ol style="list-style-type: none"> Open windows or doors to increase air flow Check water distribution system <ul style="list-style-type: none"> Clean pads Clean Replace or clean pump (Unplug)
Excessive humidity in house	<ol style="list-style-type: none"> Inadequate exhaust 	<ol style="list-style-type: none"> Open doors or windows

Register your product online at www.championcooler.com/eac/onlineregistration-eac.htm

Limited Warranty

This warranty is extended to the original purchaser of an evaporative cooler installed and used under normal conditions. It does not cover damages incurred through accident, neglect, or abuse by the owner. We do not authorize any person or representative to assume for us any other or different liability in connection with this product.

Terms And Conditions Of The Warranty

Lifetime Limited Coverage on water reservoir against any leakage due to defects in material. From date of purchase, if any original component part fails due to defect in material or factory workmanship only, we will provide the replacement part as follows:

- One year on the cabinet components.
- Two years on the evaporative media.

Exclusions From The Warranty

We are not responsible for any incidental or consequential damage resulting from any malfunction.

We are not responsible for any damage received from the use of water softeners, chemicals, de-scale material, plastic wrap, or if a motor of a higher horsepower than what is shown on the serial plate is used in the unit.

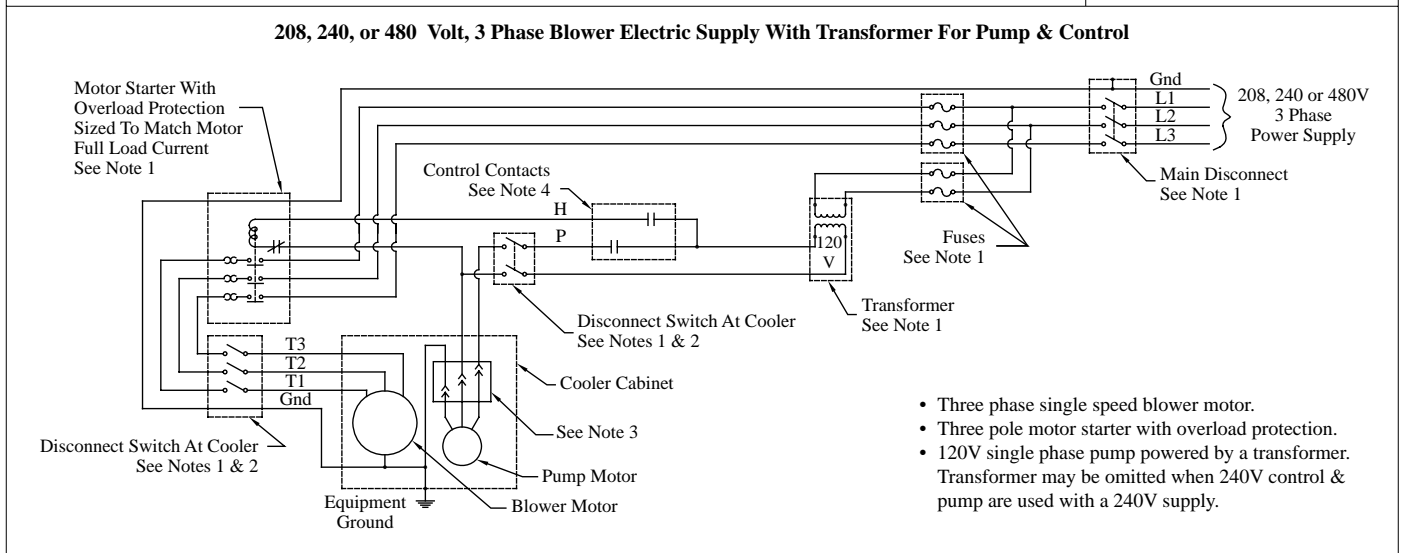
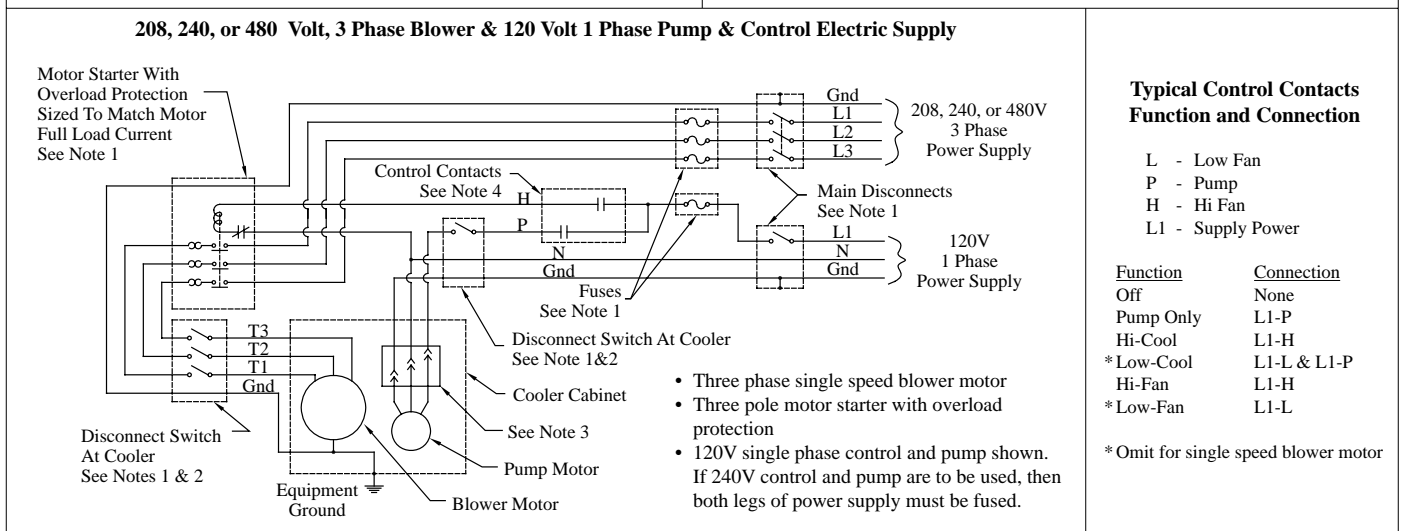
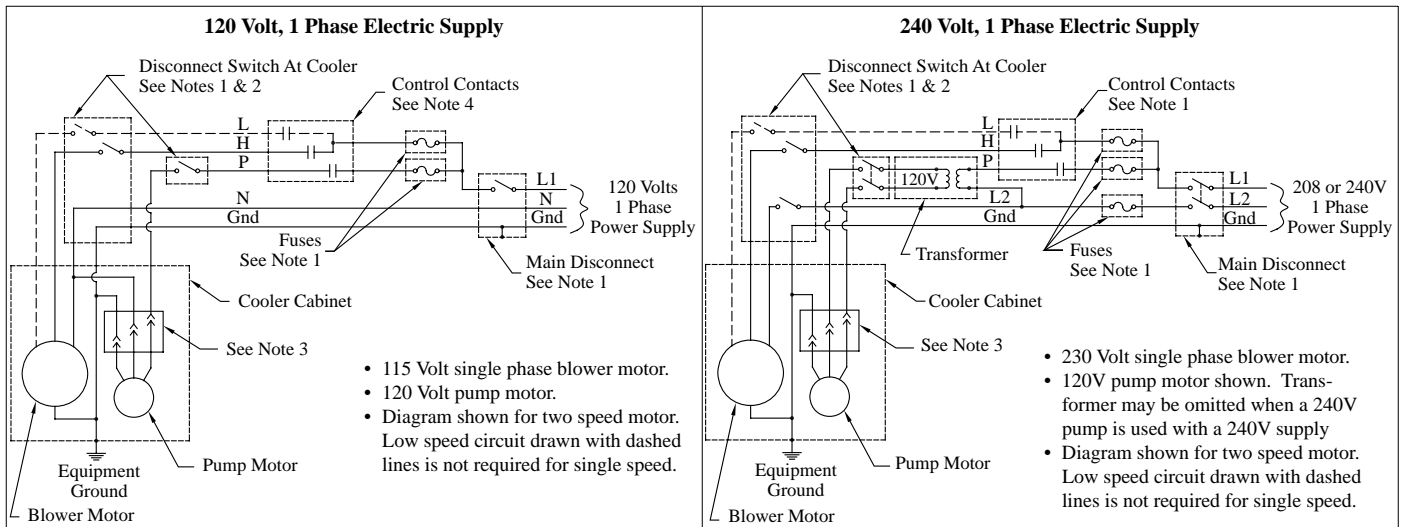
We are not responsible for the cost of service calls to diagnose cause of trouble, or labor charge to repair and/or replace parts.

How To Obtain Service Under This Warranty

Contact the Dealer where you purchased the evaporative cooler. If for any reason you are not satisfied with the response from the dealer, contact the Customer Service Department: 5800 Murray Street, Little Rock, Arkansas 72209. 1-800-643-8341. E-mail: info@championcooler.com, Web: www.championcooler.com.

This limited warranty applies to original purchaser only.

Typical Electrical Wiring Diagrams



⚠ WARNING: Electrical hookup should be performed by a qualified electrician. All electrical wiring must conform to national and local standards.

NOTE 1. All switches, motor starters, transformers, fuses, junction boxes, receptacles, receptacle boxes, cover plates, and conductors shall be supplied by the installer.

NOTE 2. The national electric code requires a disconnect switch located at equipment if the main disconnect at equipment controller is not visible from the equipment. If more than one disconnect is used they must be mounted adjacent to one another.

NOTE 3. A receptacle for a NEMA 5-15P plug is required for 120V recirculating pump and a receptacle for a NEMA 6-15P plug for 230V pump.

NOTE 4. The control contacts may be part of a switch, thermostat or other control device.

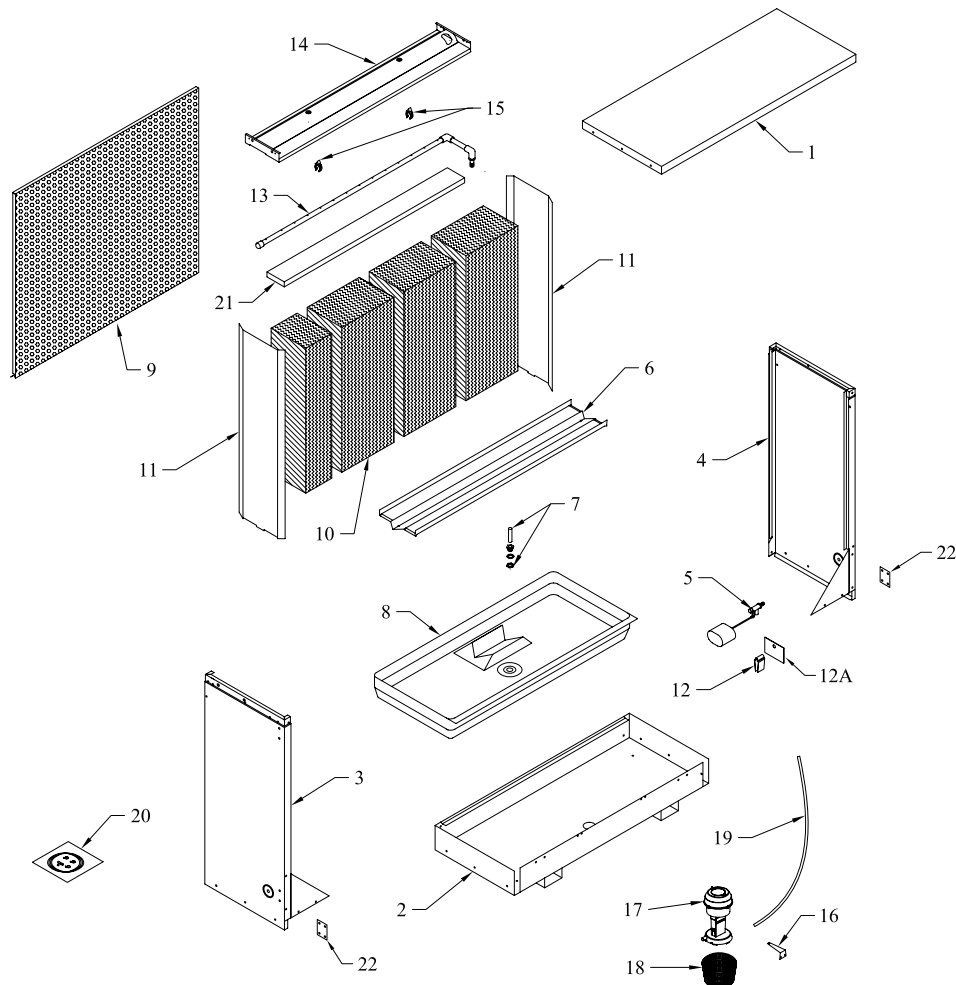
General Specifications / Especificaciones Generales

Model No. <i>Modelo</i>	*Weight (lbs.) <i>Peso (libras)</i>		Cabinet Dimensions (in.) <i>Dimensiones De La Caja (pulgadas)</i>			Duct Opening (in.) <i>Abertura De Ducto (pulgadas)</i>	
	*Dry <i>Seco</i>	*Operating <i>Lleno</i>	Height <i>Altura</i>	Width <i>Anchura</i>	Depth <i>Profundidad</i>	Width <i>Anchura</i>	Height <i>Altura</i>
AD100	517	717	44	81 3/4	45	21 3/4	21 3/4
AS100	511	711	44	81 3/4	45	21 3/4	21 3/4
AD10012	571	812	44	89 3/4	45	21 3/4	21 3/4
AS10012	565	806	44	89 3/4	45	21 3/4	21 3/4
AD150	648	863	54	85	48 1/4	26 7/8	26 7/8
AS150	640	856	54	85	48 1/4	26 7/8	26 7/8
AD15012	714	974	54	93	48 1/4	26 7/8	26 7/8
AS15012	706	967	54	93	48 1/4	26 7/8	26 7/8
AD20012	928	1208	59 1/4	105 1/4	60 1/4	31 3/4	31 3/4
AS20012	914	1194	59 1/4	105 1/4	60 1/4	31 3/4	31 3/4
AU20012	914	1194	59 1/4	105 1/4	60 1/4	31 3/4	31 3/4
SAD100	417	517	44	63 3/8	45	21 3/4	21 3/4
SAS100	411	511	44	63 3/8	45	21 3/4	21 3/4
SAD10012	444	565	44	67 3/8	45	21 3/4	21 3/4
SAS10012	438	559	44	67 3/8	45	21 3/4	21 3/4
SAD150	533	641	54	66 5/8	48 1/4	26 7/8	26 7/8
SAS150	525	633	54	66 5/8	48 1/4	26 7/8	26 7/8
SAD15012	566	696	54	70 5/8	48 1/4	26 7/8	26 7/8
SAS15012	558	688	54	70 5/8	48 1/4	26 7/8	26 7/8

*Does not include motor weight. / No incluye el peso del motor.

Replacement Parts / Piezas De Repuesto

**SAS/SAD100W, SAS/SAD10012W, SAS/SAD150W, SAS/SAD15012W
AS/AD100W, AS/AD10012W, AS/AD150W, AS/AD15012W, AS/AD/AU20012W**



Replacement Parts / Piezas De Repuesto

When ordering parts, please be sure to furnish the following information on all orders. Failure to do so may delay your order. /
 Al pedir piezas, incluya toda la información siguiente con su pedido. El no proporcionar toda esta información resultará en una demora.

1. Cooler serial number / Número de serie de la unidad.
2. Description and part number / Descripción y número de pieza.
3. Cooler size / Tamaño de la unidad.
4. Date of purchase / Fecha de compra.

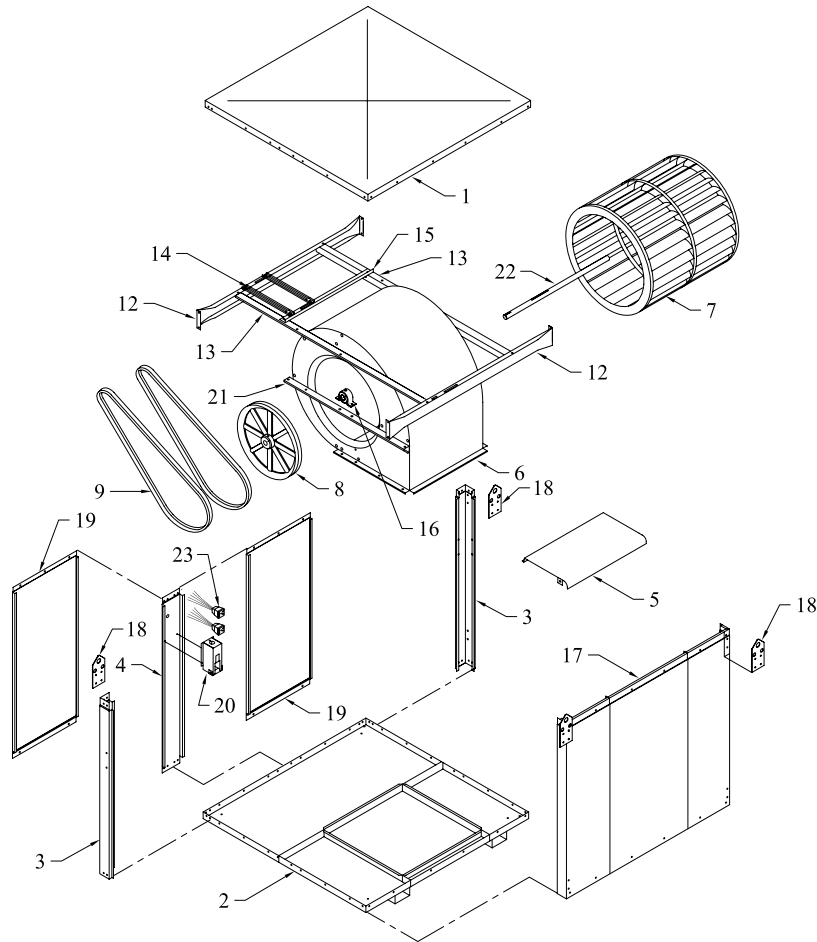
No.	<u>N°</u> <u>Description / Descripción</u>	<u>100W</u>	<u>150W</u>
1.	Top Access Panel / <i>Panel Superior De Acceso</i> -----	218115-002	218116-007
2.	Bottom, Cabinet / <i>Base De La Caja</i> -----	318115-004	318116-009
3.	Side Panel, Right / <i>Panel Del Lado, Derecho</i> -----	318115-008	318116-013
4.	Side Panel, Left / <i>Panel Del Lado, Izquierdo</i> -----	318115-021	318116-039
5.	Float Valve / <i>Flotador</i> -----	FL-3/8	FL-3/8
6.	Support, Media / <i>Soporte Para El Medio Evaporativo</i> -----	218115-015	218116-020
7.	Over Flow Assembly / <i>Montaje De Desagüe</i> -----	3OA-2	3OA-2
8.	Water Reservoir / <i>Bandeja Acumuladora De Agua</i> -----	281028	281029
9.	Perforated Panel / <i>Parrilla Perforada</i> -----	220126-002	220126-003
10.	Evaporative Media / <i>Medio Evaporativo</i> -----	110107	110106
11.	Media Shield / <i>Pantalla Protectora Para El Medio Evaporativo</i> -----	281026-003	281026-004
12.	Float Shield / <i>Salpicadero Del Flotador</i> -----	281006	281006
12a.	Float Splash Plate / <i>Placa Para Salpicaduras</i> -----	281026-013	281026-013
13.	Water Distributor Assembly / <i>Sistema Del Distribuidor De Agua</i> -----	3D-21R	3D-20R
14.	Water Distributor Housing / <i>Caja Del Distribuidor De Agua</i> -----	322130-059	322140-041
15.	Water Distributor Tube Clamp / <i>Abrazadera De Tubo Del Distribuidor De Agua</i> -----	110591	110591
16.	Pump Mount / <i>Soporte De La Bomba</i> -----	218122-004	218122-004
17.	Pump / <i>Bomba</i> -----	*	*
18.	Pump Screen / <i>Malla Para La Bomba</i> -----	281001-001	281001-001
19.	Tube, Water Delivery / <i>Tubo De Agua</i> -----	110717	110717
20.	Bleed-Off Kit / <i>Equipo De La Válvula De Desahogo</i> -----	310587	310587
21.	Hobbs Polyester Pad / <i>Filtro De Poliester</i> -----	110119-2	110119-3
22.	Connect Bracket / <i>Abrazadera Del Conectar</i> -----	214120-001	214120-001

No.	<u>N°</u> <u>Description / Descripción</u>	<u>10012W</u>	<u>15012W</u>	<u>20012W</u>
1.	Top Access Panel / <i>Panel Superior De Acceso</i> -----	218115-016	218116-021	218116-035
2.	Bottom, Cabinet / <i>Base De La Caja</i> -----	318115-017	318116-022	318116-036
3.	Side Panel, Right / <i>Panel Del Lado, Derecho</i> -----	318115-018	318116-023	318116-032
4.	Side Panel, Left / <i>Panel Del Lado, Izquierdo</i> -----	318115-022	318116-040	318116-033
5.	Float Valve / <i>Flotador</i> -----	FL-3/8	FL-3/8	FL-3/8
6.	Support, Media / <i>Soporte Para El Medio Evaporativo</i> -----	218115-019	218116-024	218116-034
7.	Over Flow Assembly / <i>Montaje De Desagüe</i> -----	3OA-2	3OA-2	3OA-2
8.	Water Reservoir / <i>Bandeja Acumuladora De Agua</i> -----	281034	281027	281037
9.	Perforated Panel / <i>Parrilla Perforada</i> -----	220126-002	220126-003	220126-004
10.	Evaporative Media / <i>Medio Evaporativo</i> -----	110111	110110	110112
11.	Media Shield / <i>Pantalla Protectora Para El Medio Evaporativo</i> -----	281026-006	281026-005	281026-008
12.	Float Shield / <i>Salpicadero Del Flotador</i> -----	281006	281006	281006
12a.	Float Splash Plate / <i>Placa Para Salpicaduras</i> -----	281026-013	281026-013	281026-013
13.	Water Distributor Assembly / <i>Sistema Del Distribuidor De Agua</i> -----	3D-25R	3D-24R	3D-28R
14.	Water Distributor Housing / <i>Caja Del Distribuidor De Agua</i> -----	322130-058	322140-042	322140-040
15.	Water Distributor Tube Clamp / <i>Abrazadera De Tubo Del Distribuidor De Agua</i> -----	110591	110591	110591
16.	Pump Mount / <i>Soporte De La Bomba</i> -----	218122-004	218122-004	218122-004
17.	Pump / <i>Bomba</i> -----	*	*	*
18.	Pump Screen / <i>Malla Para La Bomba</i> -----	281001-001	281001-001	281001-001
19.	Tube, Water Delivery / <i>Tubo De Agua</i> -----	110717	110717	110717
20.	Bleed-Off Kit / <i>Equipo De La Válvula De Desahogo</i> -----	310587	310587	310587
21.	Hobbs Polyester Pad / <i>Filtro De Poliester</i> -----	110119-2	110119-3	110119-4
22.	Connect Bracket / <i>Abrazadera Del Conectar</i> -----	214120-001	214120-001	214120-001

* 115V - 110467
 230V - 110468

Replacement Parts / Piezas De Repuesto

AD100B, AD150B, AD200B



No. N°	Description / Descripción	AD100B	AD150B	AD200B
1.	Top, Cabinet / Tapa De La Caja	218115-003	218116-008	216117-003
2.	Bottom, Cabinet / Base De La Caja	318115-005	318116-010	318117-007
3.	Corner Post / Poste De Esquina	318115-013	318116-018	318117-012
4.	Divider Channel / Canal Divisora	218115-014	218116-019	218117-013
5.	Cut-Off Plate / Placa Limitadora	320102-002	318112-004	318112-003
6.	Blower Housing / Caja De La Rueda	322115-002	320116-001	320117-001
7.	Blower Wheel / Rueda	110749	110750	110751
8.	Pulley, Blower Wheel / Polea De La Rueda	110297	110298	110298
9.	Drive Belt / Correa	†	†	†
10.	Motor / Motor	*	*	*
11.	Pulley, Motor / Polea Del Motor	†	†	†
12.	Channel Retainer / Soporte De Canal	214007-001	214007-006	214109-001
13.	Motor Mount Support / Soporte Para La Montura Del Motor	214118-003	214116-008	206102-001
14.	Motor Mount Adjustable Channel / Montura Ajustable Del Motor	214112-002	214112-004	214112-004
15.	Motor Mount Crossbrace / Travesaño De La Montura Del Motor	214001-005	214001-009	214001-007
16.	Bearings, Blower Wheel Shaft / Cojinetes Del Eje De La Rueda	110355	110356	110356
17.	Front Panel / Panel Del Frente	318115-024	318116-048	318117-011
18.	Lift Bracket / Soporte De Levantamiento	212101-001	212101-001	212101-001
19.	Inspection Panel / Panel De Inspección	220115-003	220116-004	220116-007
20.	Electrical Junction Box / Caja De Empalme	322009-003	322009-003	322009-003
21.	Bearing Mount Support / Soporte Para Los Cojinetes	206100-002	206100-004	206100-005
22.	Shaft, Blower Wheel / Eje De La Rueda	110157	110158	110159
23.	Receptacle, Pump / Toma De Corriente De La Bomba	110361	110361	110361

* See motor specification table. / Vea la tabla de especificaciones del motor.

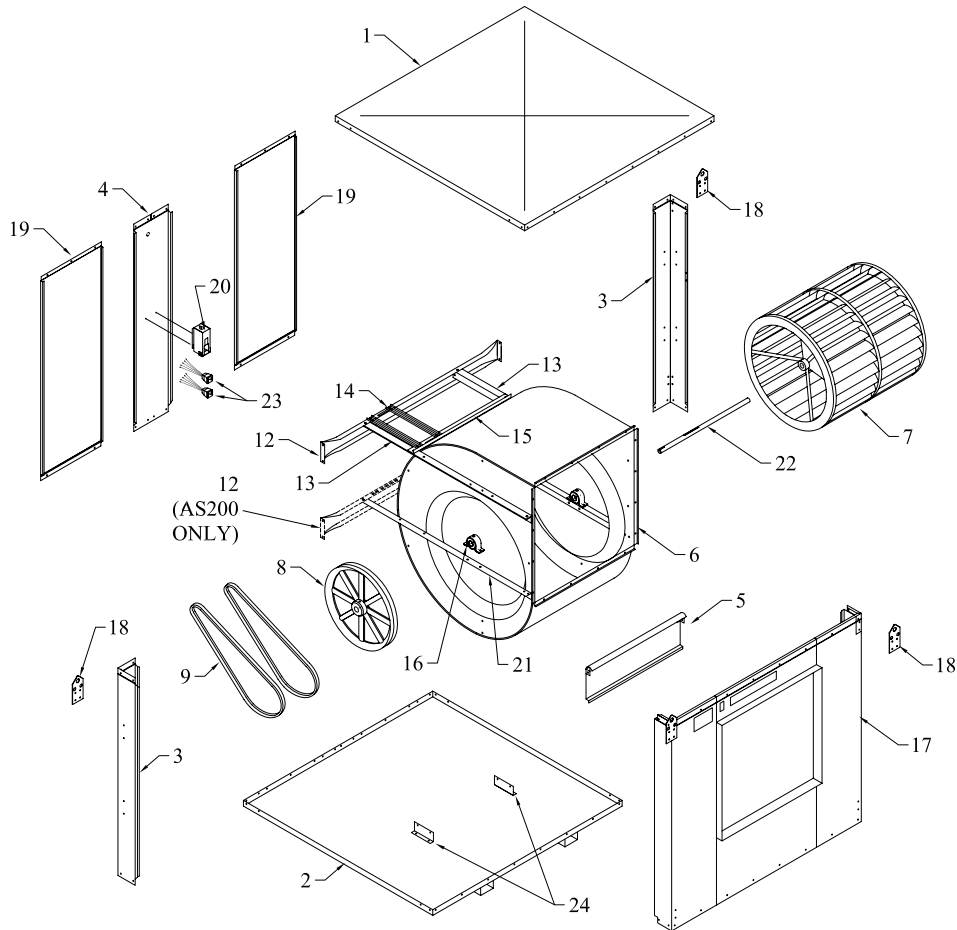
† See pulley and belt table. / Vea la tabla de especificaciones del polea y correa.

NOTE: Standard hardware items may be purchased from your local hardware store.

NOTA: Artículos de uso corriente pueden comprarse en la ferretería de su localidad.

Replacement Parts / Piezas De Repuesto

AS100B, AS150B, AS200B



No. N°	Description / Descripción	AS100B	AS150B	AS200B
1.	Top, Cabinet / Tapa De La Caja -----	218115-003	218116-008	216117-003
2.	Bottom, Cabinet / Base De La Caja-----	318115-020	318116-026	316117-004
3.	Corner Post / Poste De Esquina -----	318115-013	318116-018	318117-018
4.	Divider Channel / Canal Divisora-----	218115-014	218116-019	218117-013
5.	Cut-Off Plate / Placa Limitadora-----	320102-002	318112-004	318112-003
6.	Blower Housing / Caja De La Rueda-----	322115-002	320116-001	320117-001
7.	Blower Wheel / Rueda -----	110749	110750	110751
8.	Pulley, Blower Wheel / Polea De La Rueda -----	110297	110298	110298
9.	Drive Belt / Correa-----	†	†	†
10.	Motor / Motor -----	*	*	*
11.	Pulley, Motor / Polea Del Motor -----	†	†	†
12.	Channel Retainer / Soporte De Canal-----	214007-001	214007-006	214109-001
13.	Motor Mount Support / Soporte Para La Montura Del Motor -----	214115-004	214116-009	206102-002
14.	Motor Mount Adjustable Channel / Montura Ajustable Del Motor -----	214112-002	214112-004	214112-004
15.	Motor Mount Crossbrace / Travesaño De La Montura Del Motor -----	214001-005	214001-009	214001-007
16.	Bearings, Blower Wheel Shaft / Cojinetes Del Eje De La Rueda-----	110355	110356	110356
17.	Front Panel / Panel Del Frente-----	318115-009	318116-014	318117-010
18.	Lift Bracket / Soporte De Levantamiento -----	212101-001	212101-001	212101-001
19.	Inspection Panel / Panel De Inspección -----	220115-003	220116-004	220116-007
20.	Electrical Junction Box / Caja De Empalme-----	322009-003	322009-003	322009-003
21.	Bearing Mount Support / Soporte Para Los Cojinetes -----	206100-001	206100-003	206100-006
22.	Shaft, Blower Wheel / Eje De La Rueda -----	110157	110158	110159
23.	Receptacle, Pump / Toma De Corriente De La Bomba-----	110361	110361	110361
24.	Blower Support Bracket / Soporte De La Caja De La Rueda -----	218122-005	218122-005	218122-005

* See motor specification table. / Vea la tabla de especificaciones del motor.

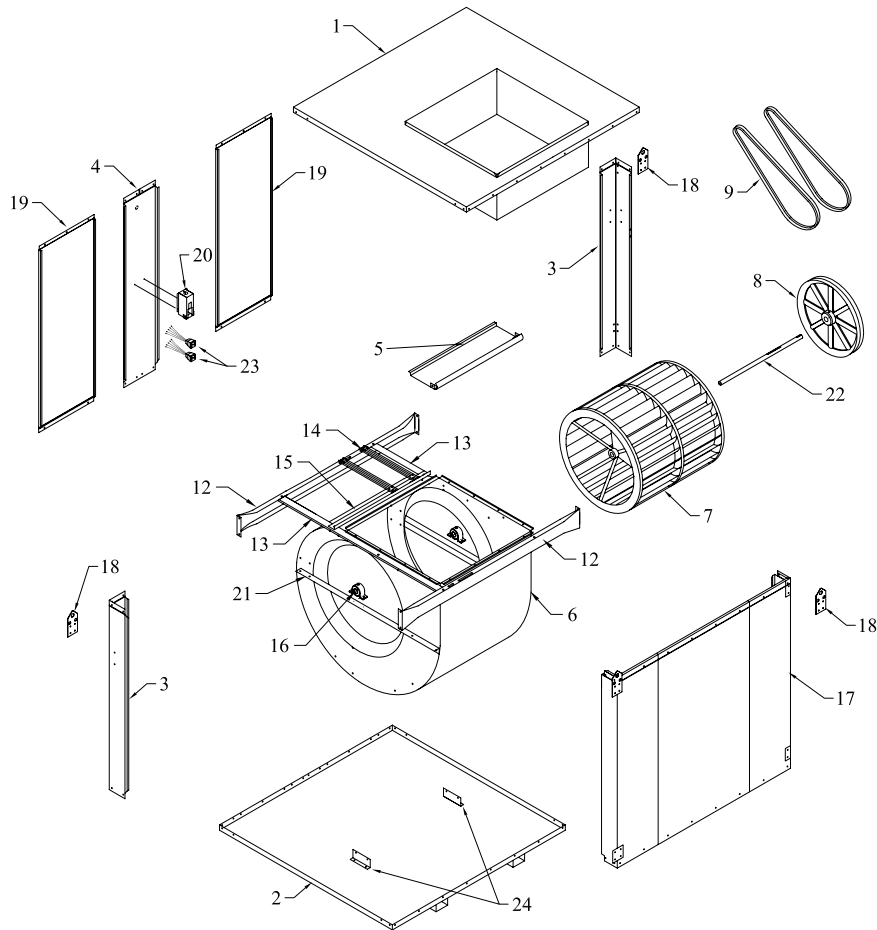
† See pulley and belt table. / Vea la tabla de especificaciones del polea y correa.

NOTE: Standard hardware items may be purchased from your local hardware store.

NOTA: Artículos de uso corriente pueden comprarse en la ferretería de su localidad.

Replacement Parts / Piezas De Repuesto

AU200B



No. N°	Description / Descripción	AU200B
1.	Top, Cabinet / Tapa De La Caja	316117-007
2.	Bottom, Cabinet / Base De La Caja.....	316117-004
3.	Corner Post / Poste De Esquina.....	318117-020
4.	Divider Channel / Canal Divisora.....	218117-013
5.	Cut-Off Plate / Placa Limitadora.....	318112-003
6.	Blower Housing / Caja De La Rueda	320117-001
7.	Blower Wheel / Rueda	110751
8.	Pulley, Blower Wheel / Polea De La Rueda	110298
9.	Drive Belt / Correa	†
10.	Motor / Motor	*
11.	Pulley, Motor / Polea Del Motor	†
12.	Channel Retainer / Soporte De Canal.....	214109-002
13.	Motor Mount Support / Soporte Para La Montura Del Motor.....	206102-003
14.	Motor Mount Adjustable Channel / Montura Ajustable Del Motor.....	214112-004
15.	Motor Mount Crossbrace / Travesaño De La Montura Del Motor.....	214001-007
16.	Bearings, Blower Wheel Shaft / Cojinetes Del Eje De La Rueda	110356
17.	Front Panel / Panel Del Frente	318117-022
18.	Lift Bracket / Soporte De Levantamiento	212101-001
19.	Inspection Panel / Panel De Inspección.....	220116-007
20.	Electrical Junction Box / Caja De Empalme	322009-003
21.	Bearing Mount Support / Soporte Para Los Cojinetes	206100-005
22.	Shaft, Blower Wheel / Eje De La Rueda	110159
23.	Receptacle, Pump / Toma De Corriente De La Bomba	110361
24.	Blower Support Bracket / Soporte De La Caja De La Rueda	218122-005

* See motor specification table. / Vea la tabla de especificaciones del motor.

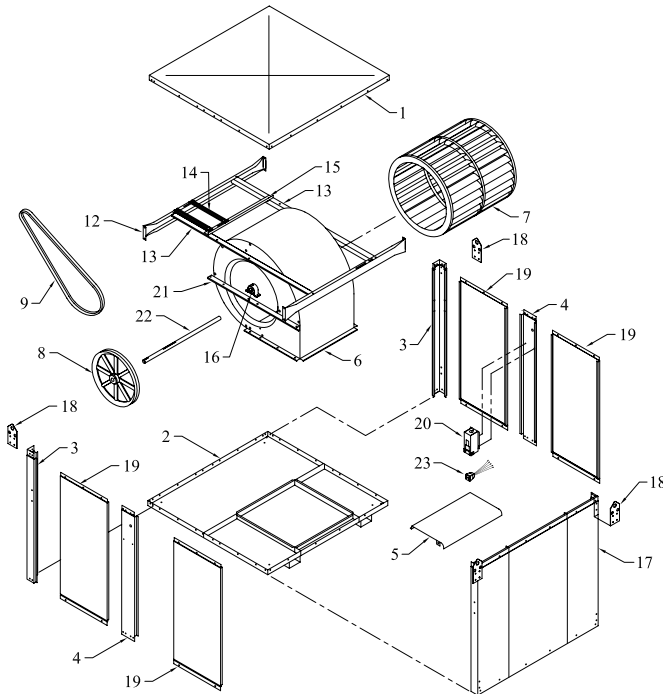
† See pulley and belt table. / Vea la tabla de especificaciones del polea y correa.

NOTE: Standard hardware items may be purchased from your local hardware store.

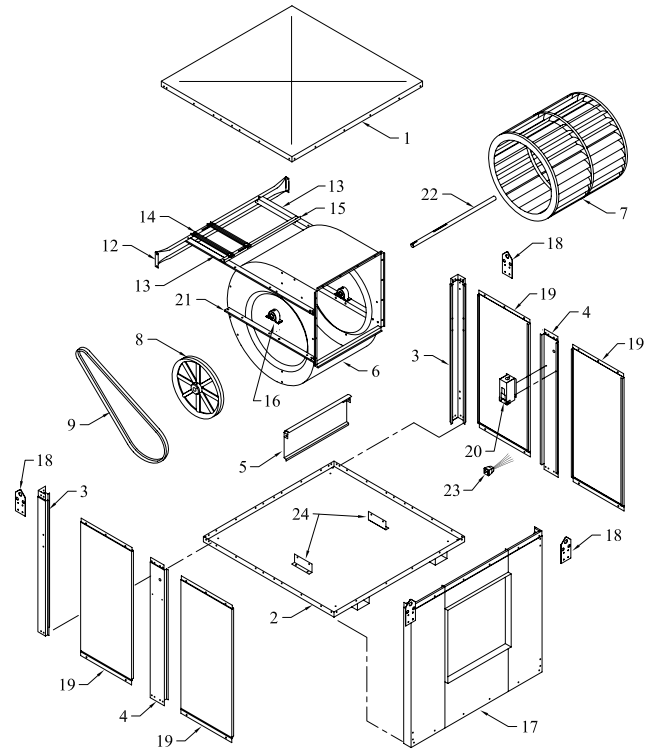
NOTA: Artículos de uso corriente pueden comprarse en la ferretería de su localidad.

Replacement Parts / Piezas De Repuesto

SAD100B, SAD150B



SAS100B, SAS150B



No.

<u>N°</u>	<u>Description / Descripción</u>	<u>SAD100B</u>	<u>SAS100B</u>	<u>SAD150B</u>	<u>SAS150B</u>
1.	Top, Cabinet / Tapa De La Caja	218115-003	218115-003	218116-008	218116-008
2.	Bottom, Cabinet / Base De La Caja.....	318115-005	318115-020	318116-010	318116-026
3.	Corner Post / Poste De Esquina.....	318115-013	318115-013	318116-018	318116-018
4.	Divider Channel / Canal Divisora.....	218115-014	218115-014	218116-019	218116-019
5.	Cut-Off Plate / Placa Limitadora.....	320102-002	320102-002	318112-004	318112-004
6.	Blower Housing / Caja De La Rueda	322115-002	322115-002	320116-001	320116-001
7.	Blower Wheel / Rueda	110749	110749	110750	110750
8.	Pulley, Blower Wheel / Polea De La Rueda.....	110297-1	110297-1	110298-1	110298-1
9.	Drive Belt / Correa	†	†	†	†
10.	Motor / Motor	*	*	*	*
11.	Pulley, Motor / Polea Del Motor	†	†	†	†
12.	Channel Retainer / Soporte De Canal.....	214007-001	214007-001	214007-006	214007-006
13.	Motor Mount Support / Soporte Para La Montura Del Motor.....	214118-003	214115-004	214116-008	214116-009
14.	Motor Mount Adjustable Channel / Montura Ajustable Del Motor.....	214112-002	214112-002	214112-004	214112-004
15.	Motor Mount Crossbrace / Travesaño De La Montura Del Motor.....	214001-005	214001-005	214001-009	214001-006
16.	Bearings, Blower Wheel Shaft / Cojinetes Del Eje De La Rueda	110355	110355	110356	110356
17.	Front Panel / Panel Del Frente	318115-024	318115-009	318116-048	318116-014
18.	Lift Bracket / Soporte De Levantamiento	212101-001	212101-001	212101-001	212101-001
19.	Inspection Panel / Panel De Inspección.....	220115-003	220115-003	220116-004	220116-004
20.	Electrical Junction Box / Caja De Empalme	322009-002	322009-002	322009-002	322009-002
21.	Bearing Mount Support / Soporte Para Los Cojinetes	206100-002	206100-001	206100-004	206100-003
22.	Shaft, Blower Wheel / Eje De La Rueda	110157	110157	110158	110158
23.	Receptacle, Pump / Toma De Corriente De La Bomba	110361	110361	110361	110361
24.	Blower Support Bracket / Soporte De La Caja De La Rueda	-	218122-005	-	218122-005

* See motor specification table. / Vea la tabla de especificaciones del motor.

† See pulley and belt table. / Vea la tabla de especificaciones del polea y correa.

NOTE: Standard hardware items may be purchased from your local hardware store.

NOTA: Artículos de uso corriente pueden comprarse en la ferretería de su localidad.

Motor Specifications / Especificaciones Del Motor

HP C.V.	Motor Part No. Nº Del Motor	Phase Fase	Speed Velocidad	Volts Voltios	Amperage* Amperaje	Weight (lbs.) Peso (libras)	Shaft (in.) Eje (pulgadas)
3/4	110455	1	1	115/208-230	13.8/7.6-6.9	24	5/8
	110461	3	1	208-230/460	3.5-3.2/1.6	20	5/8
1	110457	1	1	115/230	16/8	28	5/8
	110458	1	2	230	8	29	5/8
	+110462-9	3	1	208-230/460	4.6-4.2/2.1	34	7/8
1-1/2	110459-1	1	1	115/208-230	20/11-10	41	5/8
	+110463-9	3	1	208-230/460	6.6-6/3	40	7/8
2	110460-1	1	1	115/208-230	24/13.2-12	50	7/8
	+110464-9	3	1	208-230/460	7.5-6.8/3.4	44	7/8
3	+110465-9	3	1	230/460	9.6/4.8	83	1-1/8
5	+110466-9	3	1	230/460	15.2/7.6	87	1-1/8
7-1/2	+110470-9	3	1	230/460	22/11	121	1-3/8
10	+110482-9	3	1	230/460	28/14	138	1-3/8

+ EPACT Motors / Motores de buen rendimiento.

* Amperage shown is from National Electrical Code. Use amperage shown on motor nameplate to determine motor protector.

El amperaje listado es del código eléctrico nacional. Utilice el amperaje indicado en la placa del motor para determinar el tamaño del protector del motor.

Pulley And Belt Specifications / Especificaciones Del Polea y Correa

Model Modelo	HP C.V.	Pulley-Belt Kit Equipo Del Polea y Correa	Motor Pulley Polea De Motor	Drive Belt Correa
SAD100 SAD10012	3/4	*3DI-90 (Static < 0.6) *3DI-95 (Static > 0.6)	*110308 *110306-1	110240 (B77)
	1	*3DI-90 (Static < 0.4) *3DI-95 (Static > 0.4) 3DI-100 (Static < 0.4) 3DI-105 (Static > 0.4)	*110308 *110306-1 110309 110299	110240 (B77)
	1-1/2	*3DI-95 3DI-105	*110306-1 110299	110240 (B77)
SAD150 SAD15012	3/4	*3DI-130 (Static < 0.5) *3DI-135 (Static > 0.5)	*110308 *110306-1	110236 (B90)
	1	*3DI-130 (Static < 0.4) *3DI-135 (Static > 0.4) 3DI-140 (Static < 0.4) 3DI-145 (Static > 0.4)	*110308 *110306-1 110309 110299	110236 (B90)
	1-1/2	*3DI-135 (Static < 0.9) *3DI-156 (Static > 0.7) 3DI-145 (Static < 0.9) 3DI-155 (Static > 0.7)	*110306-1 *1110310 110299 110307-1	110236 (B90)
	2	3DI-145 (Static < 0.8) 3DI-155 (Static > 0.5)	110299 110307-1	110236 (B90)
	3	3DI-161	110300	110250 (B92)
AD100 AD10012	1-1/2	*3DI-11 3DI-10	*110306 110299-1	110234 (A76)
	2	3DI-15	110299-1	110240 (B77)
	3	3DI-20	110300-1	110241 (B80)
	5	3DI-25	110303-1	110242 (B81)
AD150 AD15012	2	3DI-50 (Static < 0.7) 3DI-52 (Static > 0.5)	110302-1 110299-1	110236 (B90)
	3	3DI-56	110304-1	110250 (B92)
	5	3DI-60	110300-1	110246 (B93)
	7-1/2	3DI-65	110301-1	110237 (B95)
AD20012	3	3DI-195	110291	110248 (B100)
	5	3DI-200	110311-1	110248 (B100)
	7-1/2	3DI-203	110313	110249 (B103)
	10	3DI-205	110312-1	110249 (B103)
AU20012	3	3DI-225	110291	110250 (B92)
	5	3DI-230	110311-1	110250 (B92)
	7-1/2	3DI-233	110313	110246 (B93)
	10	3DI-235	110312-1	110246 (B93)

Model Modelo	HP C.V.	Pulley-Belt Kit Equipo Del Polea y Correa	Motor Pulley Polea De Motor	Drive Belt Correa
SAS100 SAS10012	3/4	*3DI-110 (Static < 0.6) *3DI-115 (Static > 0.6)	*110308 *110306-1	110243 (B83)
	1	*3DI-110 (Static < 0.4) *3DI-115 (Static > 0.4) 3DI-120 (Static < 0.4) 3DI-125 (Static > 0.4)	*110308 *110306-1 110309 110299	110243 (B83)
	1-1/2	*3DI-115 3DI-125	*110306-1 110299	110243 (B83)
SAS150 SAS15012	3/4	*3DI-165 (Static < 0.5) *3DI-170 (Static > 0.5)	*110308 *110306-1	110247 (B96)
	1	*3DI-165 (Static < 0.4) *3DI-170 (Static > 0.4) 3DI-175 (Static < 0.4) 3DI-180 (Static > 0.4)	*110308 *110306-1 110309 110299	110247 (B96)
	1-1/2	*3DI-170 (Static < 0.9) *3DI-186 (Static > 0.7) DI-180 (Static < 0.9) 3DI-185 (Static > 0.7)	*110306-1 *1110310 110299 110307-1	110247 (B96)
	2	3DI-180 (Static < 0.8) 3DI-185 (Static > 0.5)	110299 110307-1	110247 (B96)
	3	3DI-190	110300	110248 (B100)
AS100 AS10012	1-1/2	*3DI-31 3DI-30	*110306 110299-1	110235 (A82)
	2	3DI-35	110299-1	110243 (B83)
	3	3DI-40	110300-1	110244 (B86)
	5	3DI-45	110303-1	110245 (B87)
AS150 AS15012	2	3DI-70 (Static < 0.8) 3DI-72 (Static > 0.5)	110302-1 110299-1	110247 (B96)
	3	3DI-75	110304-1	110248 (B100)
	5	3DI-80	110300-1	110248 (B100)
	7-1/2	3DI-86	110301-1	110252 (B101)
AS20012	3	3DI-210	110291	110253 (B112)
	5	3DI-215	110311-1	110253 (B112)
	7-1/2	3DI-218	110313	110253 (B112)
	10	3DI-220	110312-1	110253 (B112)

* For motors with 5/8 in. shaft. / Para los motores con el eje de 5/8 pulgadas.

Lea y Conserve Estas Instrucciones

Reglas De Seguridad

1. Lea las instrucciones con cuidado.
2. Desconecte todos los servicios eléctricos que serán usados en esta unidad antes de instalar el enfriador.
3. Las conexiones eléctricas deben ser hechas por un electricista competente, para que todo el cableado eléctrico cumpla con los requisitos establecidos en su localidad.
4. Para una máxima y segura precaución, debe asegurarse que la caja del enfriador está conectada con la tierra.
5. El enfriador debe ser conectado con el propio voltaje, corriente alterna y ciclos, lo que se encuentran en la placa de especificaciones de la bomba y del motor.
6. Asegure la bomba para no se vuelca en el agua.
7. Siempre **CORTE LA CORRIENTE** antes de realizar cualquier labor de mantenimiento.

Operación

Para el mejor funcionamiento, si los filtros son secos, prenda sólo la bomba durante unos cuantos minutos antes de prender el motor del ventilador.

Su enfriador puede ser utilizado sin agua para proporcionar ventilación solamente. Cuando esté fresco (por ejemplo, de noche) o cuando la humedad es alta, la bomba de agua puede ser apagada.

Importante: El proceso de enfriamiento por evaporación requiere que agota el aire viejo del edificio. Abre las ventanas o puertas o utilice los extractores de aire situados lejos del enfriador y en la dirección que desea enfriar. El aire fluirá en la dirección de las aberturas de escape. Debe tener a lo menos 2 pies cuadrados de abertura por cada 1000 CFM.

Instalación

⚠PRECAUCION: La superficie en que ha de colocarse el enfriador deberá aguantar el peso completo de la unidad cuando ésta está en funcionamiento. (Para saber este peso, vea la tabla de especificaciones.)

⚠PRECAUCION: No conecte el enfriador hasta que la instalación esté completa y se haya comprobado la estabilidad del mismo.

⚠PRECAUCION: Asegúrese que todos los tornillos estén apretados seguramente antes de prender el enfriador.

- **Las secciones de agua.** La sección de agua y la sección de ventilador están unidos con los soportes de levantamiento, las abrazaderas de unión, y los pernos provistos. Hay puntos de colores en los lados de las secciones de agua y de ventilador. Al conectar las secciones, estos puntos debe estar en el mismo lado.
- **El sistema del ducto.** Vea la tabla de especificaciones generales para el tamaño del abertura del ducto. Para las unidades con salida de abajo, el ducto debe entrar por el interior del abertura. El tamaño de estos ductos debe ser menos de la abertura del enfriador. Las unidades con salida de arriba y del lado tienen un reborde de 1 pulgada. El tamaño de estos ductos debe ser más grande de la abertura del enfriador para caber sobre el reborde.

Nota: Los soportes para montar el enfriador no están provistos. El instalador es responsable para soportar el enfriador.

Instalación Del Motor

- **Montar el motor.** Deslice la cabeza de los pernos provistos con cuellos cuadrados por la ranura en la montura ajustable del motor. Puede deslizar las monturas ajustables hacia un lado o otro lado para alinear los pernos con los agujeros en el base del motor

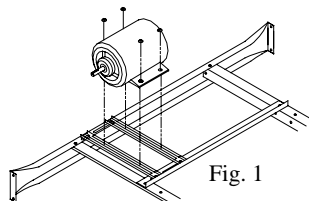


Fig. 1

y para alinear la polea del motor con la polea de la rueda. Instale el motor usando los pernos y las tuercas provistos (véase fig. 1). Asegúrese que los pernos estén apretados seguramente.

- **Instalar la polea del motor.** Instale la polea ajustable del motor para que quede alineada con la polea del ventilador (véase fig. 2) y apriete el tornillo de presión. Vea la página 14 para instrucciones de ajustar la polea.

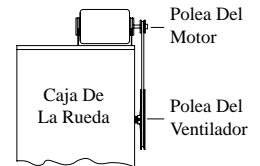


Fig. 2

Instalación Eléctrica

NOTA: Los códigos locales de construcción deben ser observadas.

⚠ADVERTENCIA: Desconecte todos los servicios eléctricos que serán usados en esta unidad antes de instalar el enfriador.

- **Conexión eléctrica.** El enfriador debe ser conectado con el propio voltaje, corriente de línea y frecuencia, que se encuentran en la placa de información de la bomba y del motor. Vea los esquemas de cableado en la página 15 para las conexiones típicas. **NOTA:** El conectar el motor a voltaje impropio anulará la garantía del motor.
- **Calibre de cable.** La carga del motor y el longitud del cable requerido por los códigos eléctricos nacionales y locales determinará el calibre de cable que debe usar.
- **Interruptores y contactores.** Los motores requieren interruptores o contactores de propia capacidad de corriente. Un electricista cualificado debe determinar su tamaño e instalarlos.
- **El cableado.** La caja de empalme se encuentra en el poste divisor en la parte superior del interior del enfriador. Quite los dos tornillos de la caja y aparte la caja del panel para tener acceso al cableado (véase fig. 3). Conecte el cableado para la bomba a las tomas de corrientes (véase los esquemas del cableado de las bombas en el siguiente página). Conecte el cableado para el motor directamente al motor.

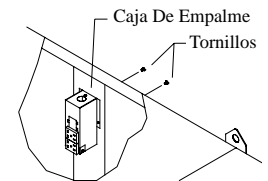


Fig. 3

⚠ADVERTENCIA: Compruebe que la caja del enfriador tenga la debida conexión a tierra para proveer máxima seguridad.

Conectar El Agua

- **La instalación del montaje de desagüe.** Quite la tuerca y pase la boquilla por el agujero de la bandeja, colocando la arandela de goma entre la bandeja y la cabeza de la boquilla (véase fig. 4). Coloque la tuerca en la boquilla y atorníllela hasta que quede apretada contra la parte inferior de la bandeja. Inserte el tubo de desagüe en la boquilla para retener el agua. El tubo de desagüe se puede quitar para desaguar el agua de la bandeja cuando sea necesario. Se puede conectar una manguera de jardín a la boquilla para desaguar el agua hacia otra parte.

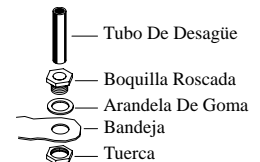


Fig. 4

- **La bomba.** Debe asegurar la bomba al soporte (el artículo 16 en la lista de piezas) para evitar que incline encima. Quite una tuerca del perno situado debajo de la cabeza de la bomba, coloque el perno por el agujero del soporte y asegúrelo con la tuerca que antes había quitado. Enchufe la bomba en la toma de corriente. Asegure el cordón de la bomba a la armazón del enfriador para evitar que el cordón queda en el agua o contacto con piezas móviles.
- **El suministro de agua.** Conecte un tubo de suministro de agua de 3/8 pulgadas en diámetro a la válvula de flotador. Las unidades con dos secciones de agua tienen dos válvulas de flotador, una por cada sección. **NOTA: Nunca utilice el agua suministrado de un suavizador de agua.**

- **La válvula de flotador.** Véase la figura 5 para instalar la válvula de flotador. Remueva las partes 1, 2, 3 y 4. Inserte el cuerpo del flotador (5) por el agujero en la placa para salpicadura (9) y en el poste trasero según lo indicado. Instale la arandela (1) y la tuerca (2). Apriete la tuerca para que el flotador no dé vuelta. Ponga la tuerca (4) y la férula (3) en la línea de suministro de agua. Conecte la línea al flotador y apriete la tuerca hasta que no salga agua. Afloje el tornillo (6) y ajuste la varilla (7) hasta que el nivel del agua esté a una altura de 1 pulgada por debajo del borde superior de la bandeja. Apriete el tornillo (6). Ponga el salpicadero del flotador (8) sobre el cuerpo del flotador hasta que se agarre.

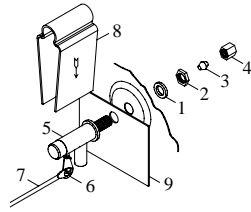


Fig. 5

- **La válvula de desahogo.** Recomendamos usar la válvula de desahogo para prevenir la formación de escama, por la segregación de pequeñas cantidades de agua durante la operación. No agregue ningún tipo de productos químicos del tratamiento de agua al agua.

Ajustar La Polea y La Correa

- **Polea ajustable.** Con un amperímetro, mide el amperio del motor. Ajuste la polea del motor hasta que el amperio sea menos por poco de lo que se especifica en la placa de identificación del motor. Al ajustar la polea, afloje el tornillo de ajuste con punta plana y gire la polea. Apriete el tornillo de modo que la punta del tornillo queda sobre el área plana, si no, dañaría las roscas. El incrementar el diámetro de la polea, incrementa también el amperio; el disminuir el diámetro de la polea, disminuye también el amperio (véase fig. 6). Vuelva a inspeccionar la alineación de la correa.

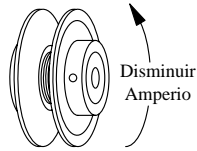


Fig. 6

PRECAUCION: Cuando sea necesario ajustar la polea, mida el amperio del motor para verificar que no exceda el máximo encontrado en la placa de identificación del motor. Un ajuste inadecuado quemará el motor.

- **Tensar la correa.** Afloje los pernos del motor y deslice el motor detrás hasta que la correa está tensada correctamente. Una fuerza de 3 libras debe desviar la correa 3/4 pulgadas (véase fig. 7). Reafloje los pernos del motor. **Nunca ajuste la polea para tensar la correa.**

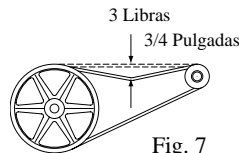


Fig. 7

Mantenimiento

ADVERTENCIA: Antes de hacer cualquier mantenimiento, compruebe que la corriente esté desconectada. Esto es por su seguridad.

Puesta En Marcha En La Primavera

- **La tensión de la correa.** Inspeccione la tensión de la correa y reajústela si sea necesario.
- **Engrasar los cojinetes.** Debe engrasar los cojinetes de la rueda una vez al año con un buen grado de grasa para los cojinetes de bolas.

- **Limpiar el medio evaporativo.** Un filtro limpio es más absorbente y eficiente y producirá un mayor volumen de aire frío. Cada año o cuando sea necesario, limpie con una manguera de jardín las aberturas. Luego limpie el lado de adentro de cualquier escama u otra obstrucción a las aberturas. Si requiere, raspe ligeramente para remover escama endurecida.

- **Cambiar el medio evaporativo.** Cambie el medio evaporativo después de 5 años o cuando sea necesario. Al cambiar el medio evaporativo, remueva el panel superior de acceso, remueva la parrilla y desconecte el tubo del distribuidor de agua. Quite la caja del distribuidor de agua y saque los el medio evaporativo. Reemplace con los filtros de mismo tipo lo que puede encontrar con su comerciante.

IMPORTANTE: Para que el enfriador funcione lo mejor, debe instalar el medio evaporativo correctamente. Si usted ha comprado filtros con dos ángulos iguales, las instrucciones siguientes no serán provechosas para usted. Los filtros deben ser instalados con el ángulo más escarpado inclinándose por la entrada del aire (véase fig. 8).

La razón es que el ángulo más escarpado le ayuda a poner más agua en el lado seco y caliente donde lo necesita más. También le ayuda a contrarrestar la tendencia del aire a empujar el agua hasta atrás de los filtros.

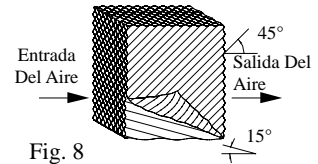


Fig. 8

- **Limpiar la bomba.** Es necesario limpiar la bomba una vez al principio de cada año. Por su propia seguridad, apague la unidad y desconecte el motor y la bomba. Quite la bomba de su montura. Quite la base de la bomba (véase fig. 9). Limpie la bomba. Dé de vuelta a la hélice para verificar que se mueve libremente. Quite el pico de la bomba y vea si está obstruido. Vuelva a colocar la base de la bomba. Coloque la bomba en la unidad y fíjela en su montura. Esto impedirá que se caiga la bomba al agua, lo que dañaría el motor. No se olvide de volver a conectar el tubo de agua a la bomba. La bomba contiene un depósito protector en caso de sobrecalentamiento (se apagará automáticamente).

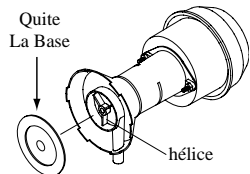


Fig. 9

- **La válvula de desahogo.** Inspeccione la válvula de desahogo para verificar que no esté obstruida.

Preparar La Unidad Para El Invierno

- **Drene el agua.** Drene siempre toda el agua de la unidad y del tubo de suministro de agua cuando no use el enfriador durante períodos prolongados, especialmente al fin de la temporada. El tubo debe quedarse desconectado del enfriador y del suministro de agua para que no lo congele.

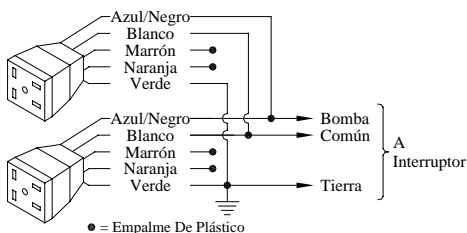
- **Desconecte de la electricidad cuando no se utiliza el enfriador por períodos extendidos.**

- **Cubra la unidad.** Para proteger y alargar la vida útil del acabado, se sugiere cubrir el aparato durante períodos largos cuando no sea utilizado.

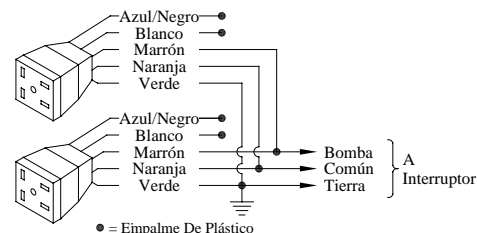
Si usted sigue estas sugerencias en cuanto a instalación, operación y mantenimiento, podrá disfrutar de muchos años de servicio eficiente y satisfactorio de este enfriador. Si desea más información, su concesionario tendrá mucho gusto en ayudarle con respecto a cualquier duda o pregunta.

Esquemas Del Cableado De Las Bombas

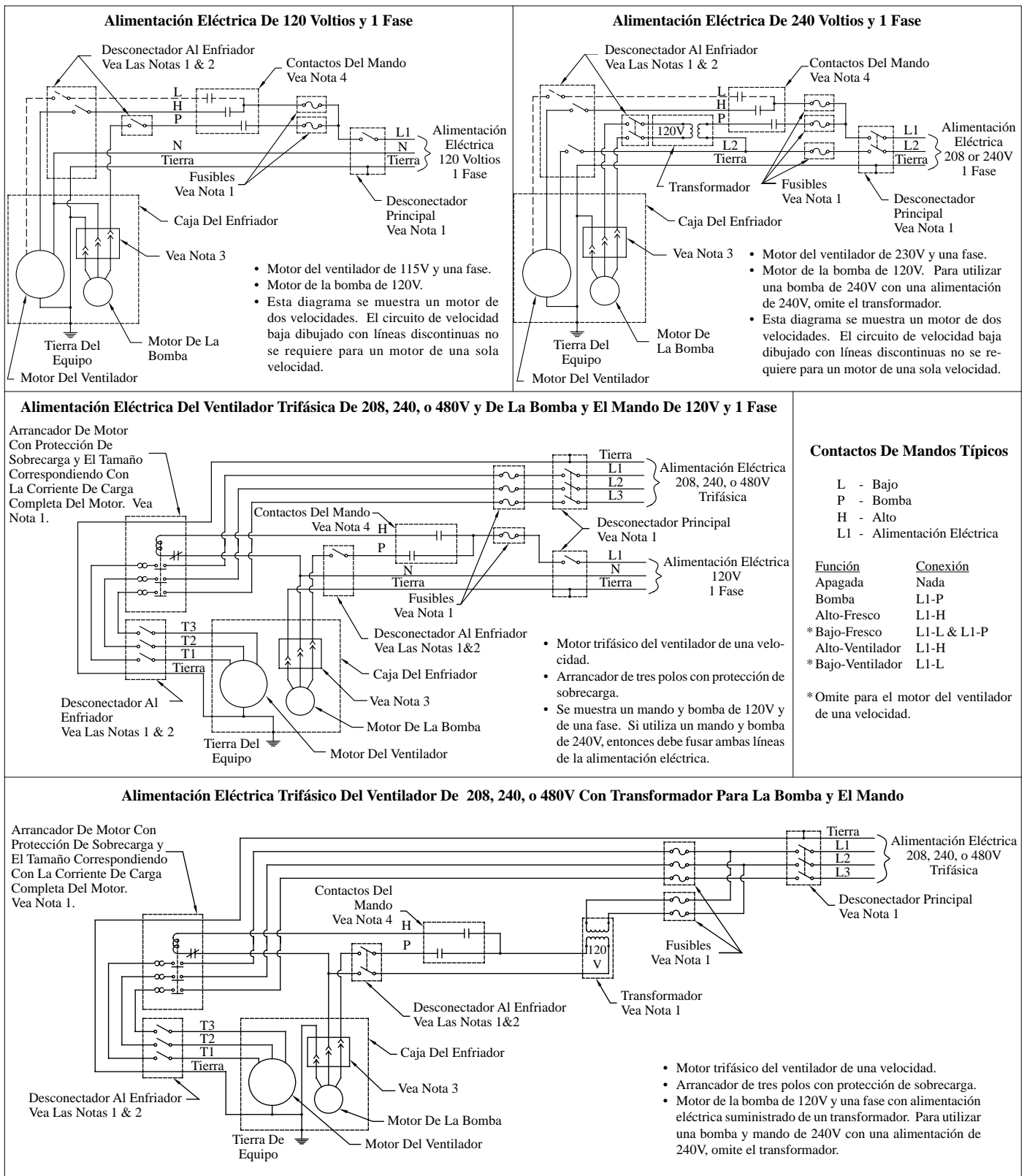
120 Voltaje



240 Voltaje



Esquemas Típicos Del Cableado Eléctrico



Contactos De Mandos Típicos

L	-	Bajo
P	-	Bomba
H	-	Alto
L1	-	Alimentación Eléctrica

Función	Conexión
Apagada	Nada
Bomba	L1-P
Alto-Fresco	L1-H
*Bajo-Fresco	L1-L & L1-P
Alto-Ventilador	L1-H
*Bajo-Ventilador	L1-L

* Omite para el motor del ventilador de una velocidad.

⚠ ADVERTENCIA: La conexión eléctrica debe efectuarse por un electricista calificado. Todo el cableado eléctrico debe efectuarse con las normas nacionales y locales.

- NOTA 1.** Todos los interruptores, marchas, transformadores, fusibles, cajas de empalmes, enchufes, cajas para enchufes, placas protectoras, y conductores deben ser abastecidos por el instalador y cumplir con los códigos nacionales y locales.
- NOTA 2.** El código eléctrico nacional requiere un desconectador localizado en el equipo si el desconectador principal en el equipo no está visible. Si usa mas de un desconectador, debe colocarse en el lado adyacente uno a otro.
- NOTA 3.** Se requiere un receptáculo de NEMA 5-15 para una bomba de 120V y un receptáculo de NEMA 6-15 para una bomba de 230V.
- NOTA 4.** Los contactos del mando puede ser de un interruptor, un termostato, u otro dispositivo.

La Localización De Averías

<u>Problema</u>	<u>Causa Posible</u>	<u>Remedio</u>	<u>Problema</u>	<u>Causa Posible</u>	<u>Remedio</u>
No arranca o no sale aire	<ol style="list-style-type: none"> No llega corriente <ul style="list-style-type: none"> Fusible fundido Cortacircuito desactivado Correa muy floja o apretada Motor recalentado <ul style="list-style-type: none"> Correa muy apretada Cojinetes de la rueda están secos Cojinetes del motor están secos Diámetro de la polea del motor demasiado grande Motor parado 	<ol style="list-style-type: none"> Revise la corriente <ul style="list-style-type: none"> Cambie el fusible Restablecer el cortacircuito Ajuste la tensión de la correa Determine la causa <ul style="list-style-type: none"> Ajuste la tensión de la correa Engrasar los cojinetes Lubrique los cojinetes Ajústela al diámetro correcto Cambie el motor 	Motor se apaga y se enciende	<ol style="list-style-type: none"> Voltaje deficiente Demasiada tensión en la banda Eje del ventilador atorado Cojinetes secos Diámetro de la polea del motor demasiado grande dando por resultado sobrecarga del motor Motor defectuoso 	<ol style="list-style-type: none"> Compruebe el voltaje Ajuste la tensión de la banda Engrasar o cambie los cojinetes (Desconecte la unidad) Engrasar los cojinetes Ajústela para no exceder el grado a carga plena del amperio del motor Cámbielo
Hace Ruido	<ol style="list-style-type: none"> Cojinetes secos Rueda roza contra caja de la rueda Partes sueltas 	<ol style="list-style-type: none"> Engrasar los cojinetes Inspeccione y alinee (Desconecte la unidad) Apriételas 	Demasiada humedad en la casa	<ol style="list-style-type: none"> Insuficiente salida de aire 	<ol style="list-style-type: none"> Abra puertas o ventanas
Sale poco aire cuando la unidad está funcionando	<ol style="list-style-type: none"> Insuficiente abertura para que salga el aire Poca tensión en la correa Filtros obstruidos Agua insuficiente en el medio evaporativo 	<ol style="list-style-type: none"> Abra ventanas o puertas para aumentar flujo de aire Ajuste la tensión o cambie la correa Limpie los filtros Limpie el sistema de distribución y los agujeros del canal 	Olor a encerrado, olor desagradable	<ol style="list-style-type: none"> Agua estancado en la unidad El medio evaporativo está seco <ul style="list-style-type: none"> Agujeros del tubos tapados Bomba no trabaja adecuada Insuficiente flujo de agua 	<ol style="list-style-type: none"> Desagüe y limpie el medio evaporativo Revise la distribución de agua <ul style="list-style-type: none"> Límpielos Reemplace o limpie la bomba (Desconecte la unidad) Limpie el sistema de distribución y agujeros de los canales
Enfriamiento inadecuado	<ol style="list-style-type: none"> Insuficiente abertura para que salga aire El medio evaporativo no está mojado <ul style="list-style-type: none"> Filtros obstruidos Agujeros de los tubos obstruidos Bomba no funciona 	<ol style="list-style-type: none"> Abra más las ventanas o puertas Revise la distribución de agua <ul style="list-style-type: none"> Limpie los filtros Límpielos Cámbiela o límpiela (Desconecte la unidad) 			

Registre su producto en línea a: www.championcooler.com/eac/onlineregistration-eac.htm

Garantía Limitada

La presente garantía se extiende al comprador original de un enfriador evaporativo instalado y utilizado bajo condiciones normales. No cubre daños ocurridos por accidente, descuido o abuso por parte del propietario. No autorizamos que ninguna otra persona o representante asuma por nosotros cualquier otra o diferente responsabilidad en relación con este producto.

Términos y Condiciones De La Garantía

Garantía limitada de por vida en la base original del enfriador en caso de gotera de agua debido a un defecto del material. A partir de la fecha de compra reemplazaremos estos componentes originales que fallen debido a cualquier defecto de materiales o mano de obra en la fábrica. Reemplazaremos las partes en lo siguiente:

Un año por los componentes del caja.
Dos años por el medio evaporativo.

Exclusiones De La Garantía

No somos responsables por daños que resulten a consecuencia de alguna falla de funcionamiento.

No somos responsables por cualquier daño producido por el uso de suavizadores de agua, productos químicos, materiales desincrustantes, envolturas de plástico, o si se usa en esta unidad un motor de mayor potencia de la que se indica en la placa de número de serie.

No somos responsables por el costo del servicio para diagnosticar la causa del problema ni por la mano de obra necesaria para reparar y/o reemplazar piezas.

Como Obtener Servicio Bajo Esta Garantía

Póngase en contacto con el Concesionario que le vendió el enfriador. Si por alguna razón usted no queda satisfecho con la respuesta por parte del Concesionario, comuníquese con el departamento de servicio al cliente: 5800 Murray Street, Little Rock, Arkansas 72209. 1-800-643-8341. E-mail: info@championcooler.com, Web: www.championcooler.com.

Esta garantía limitada se aplica al comprador original solamente.

Free Manuals Download Website

<http://myh66.com>

<http://usermanuals.us>

<http://www.somanuals.com>

<http://www.4manuals.cc>

<http://www.manual-lib.com>

<http://www.404manual.com>

<http://www.luxmanual.com>

<http://aubethermostatmanual.com>

Golf course search by state

<http://golfingnear.com>

Email search by domain

<http://emailbydomain.com>

Auto manuals search

<http://auto.somanuals.com>

TV manuals search

<http://tv.somanuals.com>