

High Capacity Axial Fan Evaporative Cooler



Model Series
FAD242
FAD248

Circle the model of your cooler and record the serial number below.

Encierre con un circulo el modelo de su enfriador y escribe el número de serie abajo.

Serial #
Número de Serie _____

Read Carefully All Of This Manual Before Installing The Unit

Lea Con Cuidado Todo Este Manual Antes De Instalar La Unidad

Table Of Contents

Safety Instructions	1	Warranty	4
Operation	1	General Specifications (<i>Especificaciones Generales</i>)	5
Installation Instructions	2	Motor Specifications (<i>Especificaciones Del Motor</i>)	5
Maintenance Section	2-3	Parts List - Blower Section (<i>Lista De Piezas</i>)	6-7
Electrical Wiring Diagrams	3	Parts List - Wet Section (<i>Lista De Piezas</i>)	8-9
Troubleshooting	4	Spanish (<i>Instrucciones en Español</i>)	9-12

Read And Save These Instructions

Safety Rules

1. Read instructions carefully.
2. Disconnect all electrical service that will be used for the unit before you begin the installation.
3. Electrical hook up should be done by a qualified electrician, so that all electrical wiring will conform to your local standards.
4. For a maximum safety precaution, make sure cooler cabinet is properly grounded to a suitable ground connection.
5. Cooler must be connected to proper line current, voltage and cycle, as stamped on cooler motor and pump motor specification plate.

6. This unit must be installed at a height of 10 feet or greater from the floor.
7. Always **Disconnect Power** before performing any maintenance.

Operation

To eliminate delivery of hot air when starting cooler, Start the pump without the blower for the first few minutes, then turn on the blower motor.

These coolers may be used without water for ventilation purposes. When outside air is cool (for example, at night) or when humidity is high the water pump can be turned off.

Installation

⚠CAUTION: Make sure that the mounting surface is strong enough to support the operating weight of the cooler when in use. (For operating weight, see Specification Table.)

⚠CAUTION: Never start cooler until installation is complete and unit has been tested for rigidity.

⚠CAUTION: This unit must be installed at a height of 10 feet or greater from the floor.

Electrical Installation

NOTE: Local building code regulations must be observed.

⚠WARNING: Disconnect all electrical service that will be used for this unit before you begin the installation.

• **Connect electrical.** Cooler must be connected to the proper line current, voltage and cycle, as indicated on the decal located at the electrical service entrance. Connecting improper voltage to motor will void motor warranty. See the wiring diagrams (figures 8 & 9) on page 3 for wiring electrical connections.

NOTE: A separate 120 Volt, 60 Hz, 1 phase pump electrical circuit is required to maintain the integrity of the GFCI pump protection and to maintain the U.L. Listing of the evaporative cooler.

• **Wire gage.** The horse power, voltage, cycle, phase, current, and length of wire required from switch to motor will determine the gage of wire to be used.

• **Switches.** Larger horsepower and three phase applications require switches (not supplied) of proper current capacity and should be installed by a competent electrician.

• **Power Supply box.** The power supply box is located in the upper inside of the divider channel. Remove the cover to access wiring. (Fig. 1). Connect wiring in box to power supply wiring as per wiring diagrams.

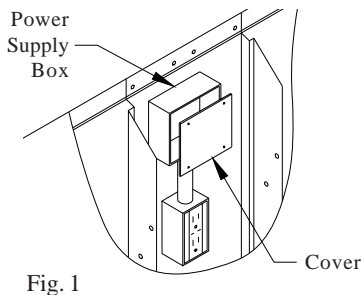


Fig. 1

⚠WARNING: Make sure that cooler cabinet is properly grounded to a suitable ground connection for maximum safety.

Water Connection

• **Pumps.** Plug the pumps into the pump receptacles. There are metal cord retaining clips on the corner post and motor cross braces for retaining the pump cords.

⚠CAUTION: The pump cord must be secured to prevent it from dropping into water reservoirs or contacting moving components.

• **Install overflow assembly.** Remove nut and place nipple through the hole in the pan, with the rubber washer between the pan and the head of the drain nipple (Fig. 2). Screw on nut and draw up tight against bottom of pan. Insert overflow pipe in nipple to retain water. Overflow pipe may be removed to drain pan when necessary. A garden hose may be screwed on the drain nipple to drain water away from your unit.

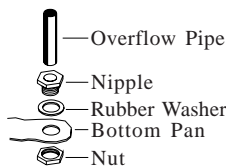


Fig. 2

• **Connect water supply line.** A water supply line should be run to the cooler to supply an adequate amount of cold water to the unit. The amount of water each cooler uses will depend on the weather conditions in your area and the size of your unit. The hotter and dryer your climate and the higher the capacity of your unit, the more water will evaporate. For example: An FAD248 unit with a 2 hp motor will use approximately 85 gallons per hour in a hot and dry climate like Las Vegas on a 105°F day with 10% humidity. The same unit in a cooler climate with 95°F and 20% humidity would use approximately 63 gph.

NOTE: Do not connect the water supply line to any soft water applications.

• **Install float valve and fill pan.** Refer to Fig. 3. Remove items 1, 2, 3, and 4. Insert float body (5) through hole in back post panel as shown. Install washer (1) and nut (2). Tighten to keep float from turning. Place nut (4) and ferrule (3) on water supply line. Connect to float fitting and tighten until water tight. Loosen screw (6) and adjust rod (7) until water level is within 1" of top of reservoir. Tighten screw (6). Slide float shield (8) up over float body (5) until it snaps into place.

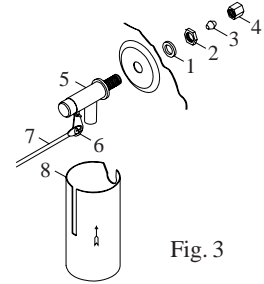


Fig. 3

• **Bleed-Off.** Use of the bleed-off kit is recommended to prevent scale build up by bleeding off small amounts of circulating water during operation. Do not add any type of water treatment chemicals to the water.

Maintenance

⚠WARNING: Before doing any maintenance be sure to disconnect from power source. This is for your safety.

Spring Start-Up

• **Check belt tension.** A 3 lb. force should deflect the belt 3/4 inches (see Fig. 4). Readjust belt if needed.

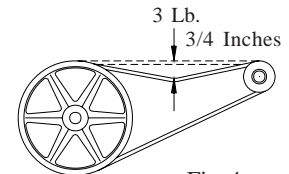


Fig. 4

To adjust belt, loosen the two hinge nuts and the locking nut on the adjusting bolt as shown in figure 5. Loosen or tighten the adjustment nut until the belt is at the right tension. Lock the motor plate in place by tightening the locking nut and then tighten the 2 hinge nuts.

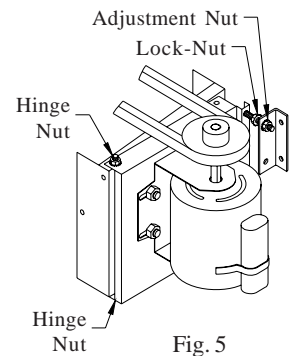


Fig. 5

• **Grease bearings.** The shaft bearings in this unit should be greased once a year with a good grade of ball bearing grease.

• **Clean pads.** A clean pad is more absorbent, efficient and will give more cool air. Annually, or when required, using a garden hose with nozzle, back wash to clean out the openings, then clean off the inlet face any scale or other obstruction to the passages. Slight scraping may be required to remove hardened scale.

- **Pad replacement.** The pads should be replaced after 5 years or before if necessary. To change pads, remove top access panel, remove grill, and disconnect water delivery tube. Remove water distributor holder and lift out media sections. Replace with the same type media. You can purchase them from your dealer.

IMPORTANT: In order to get the best performance from your cooling pads, they must be installed properly. If you have purchased a pad with two equal angles, the following instructions can be disregarded. Pads must always be installed with the steeper flute angle sloping down towards the air entering side (Fig. 6). The reason is simple. The steeper angle puts more water on the hot, dry, dirty side of the pad where it is needed most. It also counteracts the tendency of the air to push the water toward the back of the pad.

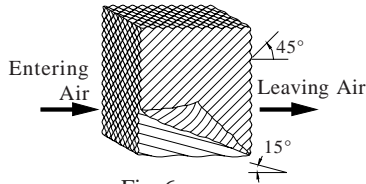


Fig. 6

- **Cleaning pumps.** Cleaning the pumps is necessary once a year at start-up. For your safety, disconnect from power source and unplug pump. Remove the pump from the mount bracket. Remove the base of the pump (Fig. 7). Clean the pump and turn the impeller to ensure free operation. Remove the

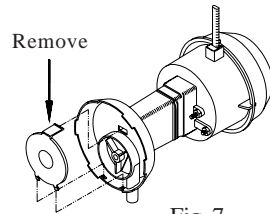


Fig. 7

pump spout and check for any blockage. After cleaning, reinstall the base onto the pump. Reattach the pump to the mount in the cooler to ensure that the pump will not overturn. Do not forget to replace the spout and water delivery tube onto the pump outlet.
NOTE: The pump has automatic reset thermal protection. The pump motor will stop if it overheats. The pump will operate normal again after obstruction is cleared.

- **Check bleed-off valve to be sure it is not clogged.**

Winter Shut Down

- **Drain water.** Always drain all of the water out of the cooler and water supply line when not in use for prolonged periods, and particularly at the end of the season. Keep the water line disconnected from both the unit and water supply so that water will not seep into the line and freeze.

- **Disconnect from power supply when not in use for extended periods of time.**

- **Cover unit.** To protect the life of the finish, a cover for the unit is suggested in extended periods of non use.

By following the operating, installation, and maintenance suggestions as outlined, you can get many years of efficient and satisfactory service from your cooler. In the event additional information is desired, your dealer will be more than glad to assist you in every possible way.

Wiring Diagrams

For 1 or 2 HP, 1 Phase Motor

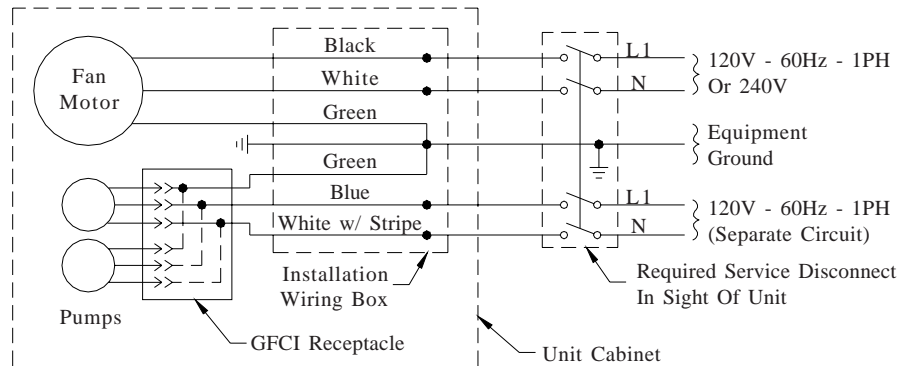


Fig. 8

For 1 or 2 HP, 3 Phase Motor

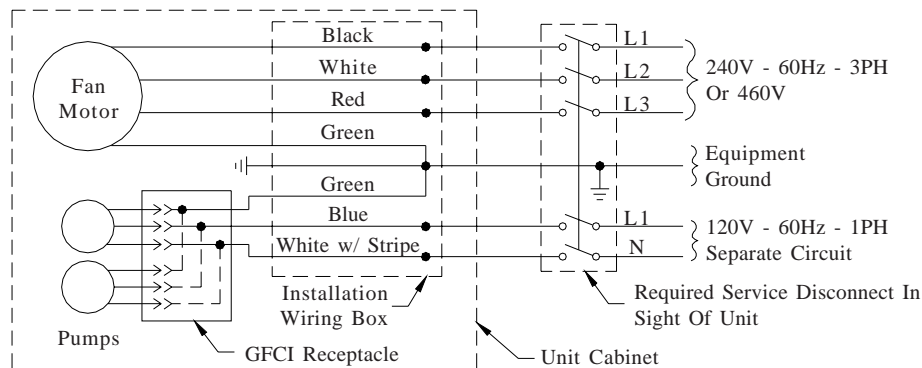


Fig. 9

Troubleshooting Guide

<u>Problem</u>	<u>Possible Cause</u>	<u>Remedy</u>	<u>Problem</u>	<u>Possible Cause</u>	<u>Remedy</u>
Failure to start or no air delivery	<ol style="list-style-type: none"> No electrical power to unit <ul style="list-style-type: none"> Fuse blown Circuit breaker tripped Belt too loose or tight Motor overheated <ul style="list-style-type: none"> Belt too tight Blower bearings dry Motor locked 	<ol style="list-style-type: none"> Check power <ul style="list-style-type: none"> Replace fuse Reset breaker Adjust belt tension Determine cause of overheating <ul style="list-style-type: none"> Adjust belt tension Grease blower bearings Replace motor 	Musty or unpleasant odor	<ol style="list-style-type: none"> Stale or stagnate water in cooler Pads not wetting properly <ul style="list-style-type: none"> Dist. tube holes clogged Pump not working properly Insufficient water flow over pads 	<ol style="list-style-type: none"> Drain pan and clean pads Check water distribution system <ul style="list-style-type: none"> Clean Replace or clean pump (Unplug) Clean water distribution system
Inadequate air delivery with cooler running	<ol style="list-style-type: none"> Insufficient air exhaust Belt too loose Pads plugged Insufficient water flow over pads 	<ol style="list-style-type: none"> Open windows or doors to increase air flow Adjust belt tension or replace if needed Clean pads Clean distribution system 	Noisy	<ol style="list-style-type: none"> Bearings dry Loose parts 	<ol style="list-style-type: none"> Grease bearings Tighten loose parts
Motor cycles on and off	<ol style="list-style-type: none"> Low voltage Excessive belt tension Fan shaft tight or locked Bearings dry Faulty motor 	<ol style="list-style-type: none"> Check voltage Adjust belt tension Grease or replace bearings (Disconnect unit) Grease bearings Replace motor 	Inadequate cooling	<ol style="list-style-type: none"> Inadequate exhaust in building Pads not wet <ul style="list-style-type: none"> Pads plugged Dist. tube holes clogged Pump not working properly 	<ol style="list-style-type: none"> Open windows or doors to increase air flow Check water distribution system <ul style="list-style-type: none"> Clean pads Clean Replace or clean pump (Unplug)
			Excessive humidity in building	<ol style="list-style-type: none"> Inadequate exhaust 	<ol style="list-style-type: none"> Open doors or windows

Limited Warranty

This warranty is extended to the original purchaser of an evaporative cooler installed and used under normal conditions. It does not cover damages incurred through accident, neglect, or abuse by the owner. We do not authorize any person or representative to assume for us any other or different liability in connection with this product.

Terms And Conditions Of Warranty

Lifetime Limited Coverage on water reservoir against any leakage due to defects in material. From date of purchase, if any original component part fails due to defect in material or factory workmanship only, we will provide the replacement part as follows:

- One year on the cabinet components.
- Two years on the evaporative media.

Exclusions From The Warranty

We are not responsible for any incidental or consequential damage resulting from any malfunction.

We are not responsible for any damage received from the use of water softeners, chemicals, descale material, plastic wrap, or if a motor of a higher horsepower than what is shown on the serial plate is used in the unit.

We are not responsible for the cost of service calls to diagnose cause of trouble, or labor charge to repair and/or replace parts.

How To Obtain Service Under This Warranty

Contact the Dealer where you purchased the evaporative cooler. If for any reason you are not satisfied with the response from the dealer, contact the Customer Service Department: 5800 Murray Street, Little Rock, Arkansas 72209. 1-800-643-8341. E-mail: info@championcooler.com, Web: www.championcooler.com.

This limited warranty applies to original purchaser only

General Specifications / Especificaciones Generales

Model Series <i>Serie de Modelo</i>	*Weight (lbs.) <i>Peso (libras)</i>		Cabinet Dimensions (in.) <i>Dimensiones De La Caja (pulgadas)</i>			Duct Opening (in.) <i>Abertura De Ducto (pulgadas)</i>	
	Dry <i>Seco</i>	Operating <i>Lleno</i>	Height <i>Altura</i>	Width <i>Anchura</i>	Depth <i>Profundidad</i>	Width <i>Anchura</i>	Height <i>Altura</i>
FAD242	761	1041	42 ¹ / ₈	97 ¹ / ₄	60 ¹ / ₄	46	46
FAD248	789	1069	52 ¹ / ₈	97 ¹ / ₄	60 ¹ / ₄	52	52

*The weight includes a 2 HP motor. / *El peso total incluye el peso de un motor de 2 C.V.*

Motor Specifications / Especificaciones Del Motor

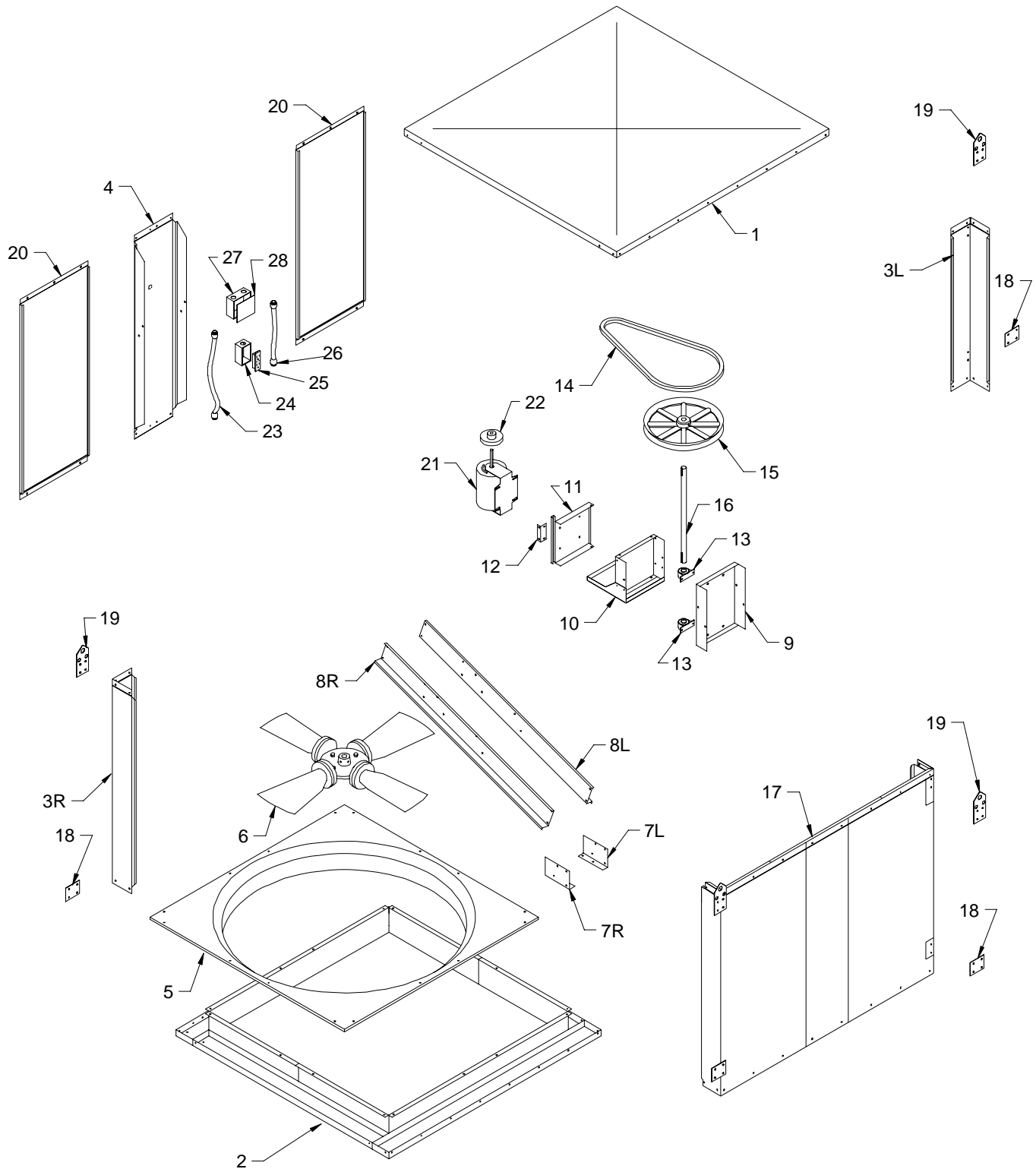
Model <i>Modelo</i>	Motor <i>Motor</i>	HP <i>C.V.</i>	Phase <i>Fase</i>	Volts <i>Voltios</i>	Shaft (in.) <i>Eje (pulgadas)</i>	Motor Pulley <i>Polea De Motor</i>	Drive Belt <i>Correa</i>
FAD242B111	110457	1	1	115	5/8	110316	110212 (4L570)
FAD242B112	110457	1	1	208-230	5/8	110316	110212 (4L570)
FAD242B132	110462-1	1	3	208-230	5/8	110316	110212 (4L570)
FAD242B134	110462-1	1	3	460	5/8	110316	110212 (4L570)
FAD242B211	110483	2	1	115	5/8	110317	110227 (4L580)
FAD242B212	110483	2	1	208-230	5/8	110317	110227 (4L580)
FAD242B232	110464-1	2	3	208-230	5/8	110317	110227 (4L580)
FAD242B234	110464-1	2	3	460	5/8	110317	110227 (4L580)
FAD248B211	110483	2	1	115	5/8	110317	110227 (4L580)
FAD248B212	110483	2	1	208-230	5/8	110317	110227 (4L580)
FAD248B232	110464-1	2	3	208-230	5/8	110317	110227 (4L580)
FAD248B234	110464-1	2	3	460	5/8	110317	110227 (4L580)

NOTE: All motors are single speed. For more information on motors contact your dealer. /

NOTA: Todos los motores son de una velocidad. Si desea más información establece contacto con su comerciante.

Replacement Parts Drawing / Dibujo De Piezas De Repuesto

FAD242B, FAD248B



Replacement Parts List / *Lista De Piezas De Repuesto*

All parts may be ordered from your dealer, but not directly from the factory. Be sure that you furnish the following information on all orders. / *Todas las partes pueden ser pedidas con su concesionario, pero no directamente a la fábrica. Incluya toda la información siguiente con su pedido:*

1. Cooler serial number / *Número de serie de la unidad*
2. Description and part number / *Descripción y número de parte*
3. Cooler size / *Tamaño de la unidad*
4. Date of purchase / *Fecha de compra*

Failure to supply all of this information will delay your order. / *El no proporcionar toda esta información resultará en una demora.*

No.	<u>N°</u> Description / <u>Descripción</u>	<u>FAD242B</u>	<u>FAD248B</u>
1.	Top, Cabinet / <i>Tapa De La Caja</i> -----	216117-003	216117-003
2.	Bottom, Cabinet / <i>Base De La Caja</i> -----	316117-008	316117-012
3R.	Corner Post, Right / <i>Poste De Esquina, Derecha</i> -----	318117-026	318117-033
3L.	Corner Post, Left / <i>Poste De Esquina, Izquierda</i> -----	318117-027	318117-032
4.	Divider Channel / <i>Panel Divisora</i> -----	218117-028	218117-034
5.	Venturi Plate / <i>Venturi</i> -----	216117-011	216117-015
6.	Fan Blade / <i>Palas del Ventilador</i> -----	110841	110842
7R.	Bottom Connect Bracket, Right / <i>Abrazadera Del Conectar De Abajo, Derecha</i> -----	214109-004	214109-008
7L.	Bottom Connect Bracket, Left / <i>Abrazadera Del Conectar De Abajo, Izquierda</i> -----	214109-011	214109-010
8R.	Drive Channel, Right / <i>Soporte Para El Sistema De Transmisión, Derecha</i> -----	214109-005	214109-005
8L.	Drive Channel, Left / <i>Soporte Para El Sistema De Transmisión, Izquierda</i> -----	214109-003	214109-003
9.	Bearing Mount / <i>Soporte Para Los Cojinetes</i> -----	214109-009	214109-009
10.	Motor Mount / <i>Montura Del Motor</i> -----	314109-006	314109-006
11.	Motor Mount Adjustment Plate / <i>Placa Ajustable Del Montura Del Motor</i> -----	214109-007	214109-007
12.	Belt Adjustment Support Angle / <i>Ángulo De Soporte Para Ajustar El Correa</i> -----	211101-001	211101-001
13.	Bearings, Fan Blade / <i>Cojinetes Del Eje Del Ventilador</i> -----	110355	110355
14.	Drive Belt / <i>Correa</i> -----	*	*
15.	Pulley, Fan / <i>Polea Del Ventilador</i> -----	110282	110282
16.	Shaft, Fan / <i>Eje Del Ventilador</i> -----	110156	110156
17.	Front Panel / <i>Panel Del Frente</i> -----	318117-024	318117-030
18.	Connect Bracket / <i>Abrazadera Del Conectar</i> -----	214120-001	214120-001
19.	Lift Bracket / <i>Soporte De Levantamiento</i> -----	212101-001	212101-001
20.	Inspection Panel / <i>Panel De Inspección</i> -----	220116-008	220116-009
21.	Motor / <i>Motor</i> -----	*	*
22.	Pulley, Motor / <i>Polea Del Motor</i> -----	*	*
23.	Electrical Conduit / <i>Conducto Eléctrico</i> -----	110816	110816
24.	Pump Receptacle Box And Cover / <i>Caja De Empalme Y Cubierta Para Las Bombas</i> -----	110821	110821
25.	GFCI Receptacle / <i>Receptáculo GFCI</i> -----	110818	110818
26.	Liquid Tight Non-Metalic connector / <i>Conector Estanco De No Metálico</i> -----	110817	110817
27.	Power Supply Box / <i>Caja De Empalme Principal</i> -----	110815	110815
28.	Cover, Power Supply Box / <i>Cubierta De La Caja De Empalme</i> -----	110815-1	110815-1

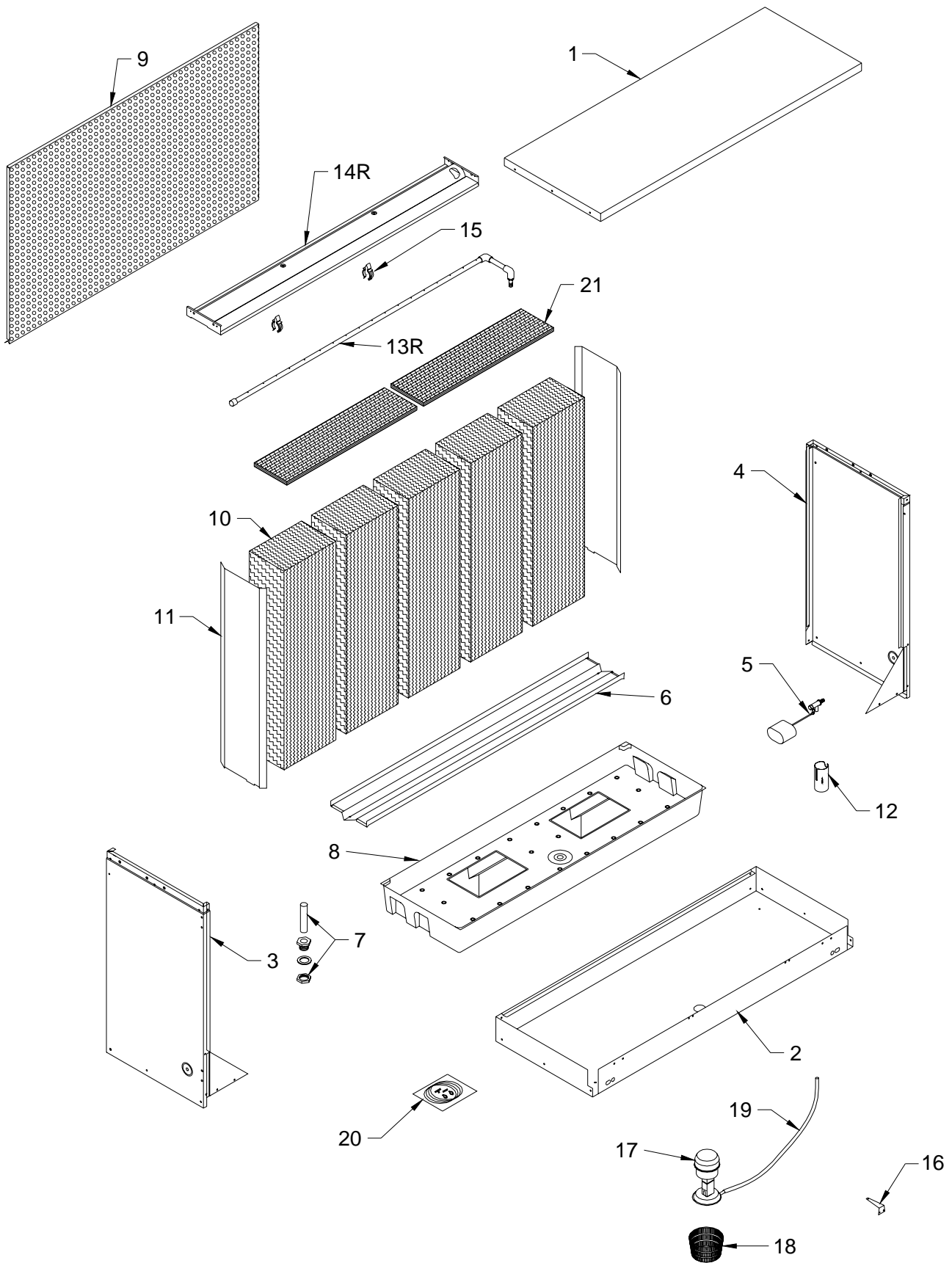
* See motor specification table. / *Vea la tabla de especificaciones del motor.*

NOTE: Standard hardware items may be purchased from your local hardware store.

NOTA: *Artículos de uso corriente pueden comprarse en la ferretería de su localidad.*

Replacement Parts Drawing / Dibujo De Piezas De Repuesto

FAD242W8, FAD248W8



Replacement Parts List / Lista De Piezas De Repuesto

All parts may be ordered from your dealer, but not directly from the factory. Be sure that you furnish the following information on all orders. / Todas las partes pueden ser pedidas con su concesionario, pero no directamente a la fábrica. Incluya toda la información siguiente con su pedido:

1. Cooler serial number / Número de serie de la unidad
2. Description and part number / Descripción y número de parte
3. Cooler size / Tamaño de la unidad
4. Date of purchase / Fecha de compra

Failure to supply all of this information will delay your order. / El no proporcionar toda esta información resultará en una demora.

No. N°	<u>Description / Descripción</u>	<u>FAD242W8</u>	<u>FAD248W8</u>
1.	Top Access Panel / Panel Superior De Acceso -----	218116-030	218116-030
2.	Bottom, Cabinet / Base De La Caja -----	218116-031	218116-031
3.	Side Panel, Right / Panel Del Lado, Derecha -----	318116-028	318116-047
4.	Side Panel, Left / Panel Del Lado, Izquierda -----	318116-027	318116-046
5.	Float Valve / Flotador -----	FL 3/8	FL 3/8
6.	Support, Media / Soporte Para El Medio Evaporativo -----	218116-029	218116-029
7.	Over Flow Assembly / Montaje De Desagüe -----	3OA-2	3OA-2
8.	Water Reservoir / Bandeja Acumuladora De Agua -----	281036	281036
9.	Perforated Panel / Parrilla Perforada -----	218126-005	218126-006
10.	Evaporative Media / Medio Evaporativo -----	110115	110116
11.	Media Shield / Pantalla Protectora Para El Medio Evaporativo -----	281026-011	281026-012
12.	Float Shield / Pantalla Protectora Del Flotador -----	281005-001	281005-001
13R.	Water Distributor Assembly, Right (Shown) / Sistema Del Distribuidor De Agua, Derecho (Mostrado) -----	3D-28R	3D-28R
13L.	Water Distributor Assembly, Left / Sistema Del Distribuidor De Agua, Izquierdo -----	3D-28L	3D-28L
14R.	Water Distributor Housing, Right (Shown) / Caja Del Distribuidor De Agua, Derecho (Mostrado) -----	322140-043	322140-043
14L.	Water Distributor Housing, Left / Caja Del Distribuidor De Agua, Izquierdo -----	322140-039	322140-039
15.	Water Distributor Tube Clamp / Abrazadera De Tubo Del Distribuidor De Agua -----	110591	110591
16.	Pump Mount / Montura De La Bomba -----	218122-004	218122-004
17.	Pump Assembly / Bomba -----	110467	110467
18.	Pump Screen / Malla Para La Bomba -----	281001-001	281001-001
19.	Tube, Water Delivery / Tubo De Agua -----	110717	110717
20.	Bleed-Off Kit / Equipo De La Válvula De Desahogo -----	310587	310587
21.	Polyester Pad / Filtro De Poliester -----	110119-4	110119-4

Lea y Conserve Estas instrucciones

Reglas De Seguridad

1. Lea las instrucciones con cuidado.
2. Desconecte todos los servicios eléctricos que serán usados en esta unidad antes de instalar el enfriador.
3. Las conexiones eléctricas deben ser hechas por un electricista competente, para que todo el cableado eléctrico cumpla con los requisitos establecidos en su localidad.
4. Para una máxima y segura precaución, debe estar muy seguro que la caja del enfriador está conectada con la tierra.
5. El enfriador debe ser conectado con el propio voltaje, corriente alterna y ciclos, lo que se encuentran en la placa de especificaciones de la bomba y del motor.

6. Debe instalar la unidad a lo menos de 10 pies arriba del piso.

7. Siempre **CORTE LA CORRIENTE** antes de realizar cualquier labor de mantenimiento.

Operación

Para que no salga aire caliente al principio, prenda sólo la bomba durante unos cuantos minutos; luego prenda también el motor del ventilador.

Su enfriador puede ser utilizado sin agua para proporcionar ventilación solamente. Cuando esté fresco (por ejemplo, de noche) o cuando la humedad es alta, la bomba de agua puede ser apagada.

Instalación

⚠PRECAUCION: La superficie en que ha de colocarse el enfriador deberá aguantar el peso completo de la unidad cuando ésta está en funcionamiento. (Para saber este peso, vea la tabla de especificaciones.)

⚠PRECAUCION: No conecte el enfriador hasta que la instalación esté completa y se haya comprobado la estabilidad del mismo.

⚠PRECAUCION: Instale esta unidad a una altura de 10 pies o más alto del piso.

Instalación Eléctrica

NOTA: Los códigos locales de construcción deben ser observados.

⚠ADVERTENCIA: Desconecte todos los servicios eléctricos que serán usados en esta unidad antes de instalar el enfriador.

• **Conexión eléctrica.** El enfriador debe ser conectado con el propio voltaje, corriente de línea y ciclos, que se encuentran en la placa de especificaciones de la bomba y del motor. El conectar con el voltaje incorrecto anulará la garantía del motor. Vea los esquemas de cableado (las figuras 8 y 9) para conexiones eléctricas.

NOTA: Un circuito separado para las bombas de 120V, 60Hz., y 1 fase se requiere para mantener la protección de GFCI, y mantener el listado de U.L. del enfriador evaporativo.

• **Calibre de cable.** El caballo de valor, voltaje, ciclos, fase, corriente, número de velocidad para el motor, y largo de cable determinará el calibre de cable que debe ser usado.

• **Interruptores.** Aplicaciones trifásicas de más caballo de valor se requieren unos controles de propia capacidad de corriente y deben ser instalados por un electricista competente.

• **La caja de empalme.** La caja de empalme se encuentra en el poste divisor en la parte superior del interior del enfriador. Quite la cubierta para tener acceso al cableado (fig. 1). Conecte el cableado en la caja al suministro eléctrico según las diagramas eléctricas.

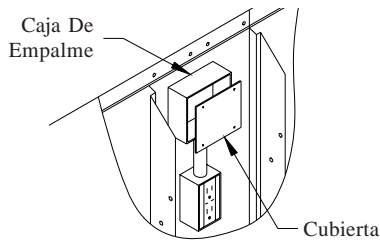


Fig. 1

⚠ADVERTENCIA: Compruebe que la caja del enfriador tenga la debida conexión a tierra para proveer máxima seguridad.

Conectar El Agua

• **Las Bombas.** Enchufe las bombas en los receptáculos de las bombas. Hay clips de retención para asegurar el cable de la bomba en el poste de esquina y en el travesaño de la montura del motor.

⚠ADVERTENCIA: El cable de la bomba se debe asegurar para evitar que caiga en el agua o entre en contacto con piezas móviles.

• **Instale el montaje de desagüe.** Quite la tuerca y pase la boquilla por el agujero de la bandeja, colocando la arandela de goma entre la bandeja y la cabeza de la boquilla (véase fig. 2). Coloque la tuerca en la boquilla y atorníllela hasta que quede apretada contra la parte inferior de la bandeja. Inserte el tubo de desagüe en la boquilla para retener el agua. El tubo de desagüe se puede quitar para desaguar el agua de la bandeja cuando sea necesario. Se puede conectar una manguera de jardín a la boquilla para desaguar el agua hacia otra parte.

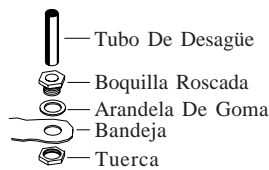


Fig. 2

• **Conecte el tubo de abastecimiento de agua.** Instale una línea de abastecimiento de agua para proveer una cantidad adecuada de agua fría al unidad. La cantidad de agua que utiliza el enfriador dependerá en las condiciones del tiempo y el tamaño de su unidad. El más caliente y seca su clima y cuanto mayor es la capacidad de su unidad, más el agua se evaporará. Por Ejemplo: Un unidad FAD248 con un motor de 2 c.v. utilizará aproximadamente 85 galones de agua por hora en un clima caliente y seco como Las Vegas con 105°F y humedad del 10%. La misma unidad en un clima más fresco con 95°F y humedad del 20% utilizaría aproximadamente 63 galones por hora.

NOTA: No conecte el abastecimiento de agua con ninguna aplicación de agua blanda.

• **Instale la válvula del flotador y llene la bandeja con agua.** Véase la figura 3. Remueva las partes 1, 2, 3 y 4. Inserte el cuerpo del flotador (5) por el agujero en el poste trasero según lo indicado. Instale la arandela (1) y la tuerca (2). Apriete la tuerca para que el flotador no dé vuelta. Ponga la tuerca (4) y la férula (3) en la línea de abastecimiento de agua. Conecte la línea al flotador y apriete la tuerca hasta que no salga agua. Afloje el tornillo (6) y ajuste la varilla (7) hasta que el nivel del agua esté a una altura de 1 pulgada por debajo del borde superior de la bandeja. Apriete el tornillo (6). Ponga la pantalla protectora del flotador (8) sobre el cuerpo del flotador hasta que se agarre.

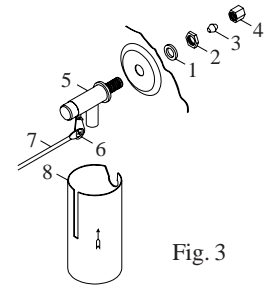


Fig. 3

• **Instale la válvula de desahogo.** Recomendamos usar la válvula de desahogo para prevenir la formación de escama, por la segregación de pequeñas cantidades de agua durante la operación. No agregue ningún tipo de productos químicos del tratamiento de agua al agua.

Mantenimiento

⚠ADVERTENCIA: Antes de hacer cualquier mantenimiento, compruebe que la corriente esté desconectada. Esto es por su seguridad.

Puesta En Marcha En La Primavera

• **Compruebe la tensión de la correa.** Una fuerza de 3 libras debe desviar la correa 3/4 pulgadas (véase fig. 4). Ajuste la correa si es necesario.

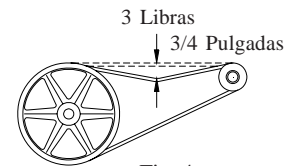


Fig. 4

Para ajustar la correa, afloje las dos tuercas de la bisagra y la tuerca de fijación en el perno de ajuste según lo demostrado en la figura 5. Afloje o apriete la tuerca de ajuste hasta que la correa está en la tensión correcta. Trabe la placa del motor en lugar apretando la tuerca de fijación y después apriete las 2 tuercas de la bisagra.

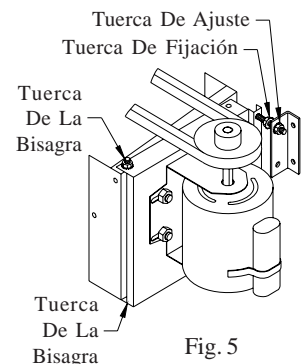


Fig. 5

• **Engrasar los cojinetes.** Debe engrasar los cojinetes del eje una vez al año con un buen grado de grasa para los cojinetes.

• **Limpie el medio evaporativo.** Un filtro limpio es más absorbente y eficiente y producirá un mayor volumen de aire frío. Cada año o cuando sea necesario, limpie con una manguera de jardín las aberturas.

Luego limpie el lado de adentro de cualquier escama u otra obstrucción a las aberturas. Si requiere, raspe ligeramente para remover escama endurecida.

- **Cambie el medio evaporativo después de 5 años o cuando sea necesario.** Cambiar el medio evaporativo, remueva el panel superior de acceso, remueva la parrilla y desconecte el tubo del distribuidor de agua. Quite la caja del distribuidor de agua y saque los el medio evaporativo. Reemplace con los filtros de mismo tipo lo que puede encontrar con su comerciante.

IMPORTANTE: Para que el enfriador funcione lo mejor, debe instalar el medio evaporativo correctamente. Si usted ha comprado filtros con dos ángulos iguales, las instrucciones siguientes no serán provechosas para usted. Los filtros deben ser instalados con el ángulo más escarpado inclinándose por la entrada del aire (véase fig. 6). La razón es que el ángulo más escarpado le ayuda a poner más agua en el lado seco y caliente donde lo necesita más. También le ayuda a contrarrestar la tendencia del aire a empujar el agua hasta atrás de los filtros.

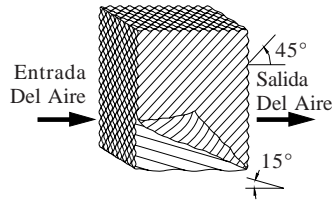


Fig. 6

- **Limpie la bomba.** Es necesario limpiar la bomba una vez al principio de cada año. Por su propia seguridad, apague la unidad y desconecte el motor y la bomba. Quite la bomba de su montura.

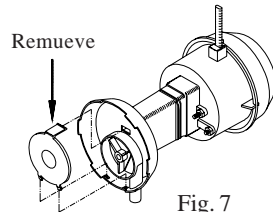


Fig. 7

Quite la base de la bomba (véase fig. 7). Limpie la bomba. Dé le vuelta a la hélice para verificar que se mueve libremente. Quite el pico de la bomba y vea si está obstruido. Vuelva a colocar la base de la bomba. Coloque la bomba en la unidad y fíjela en su montura. No se olvide de volver a conectar el tubo de agua a la bomba. La bomba contiene un depósito protector en caso de sobrecalentamiento (se apagará automáticamente).

- **Compruebe la válvula de desahogo para verificar que no esté obstruida.**

Preparar La Unidad Para El Invierno

- **Drene el agua.** Drene siempre toda el agua de la unidad y del tubo de abastecimiento de agua cuando no use el enfriador durante períodos prolongados, especialmente al fin de la temporada. El tubo debe quedarse desconectado del enfriador y del abastecimiento de agua para que no lo congele.
- **Desconecte de la electricidad cuando no se utiliza el enfriador por períodos extendidos.**
- **Cubra la unidad.** Para proteger y alargar la vida útil del acabado, se sugiere cubrir el aparato durante períodos largos cuando no sea utilizado.

Si usted sigue estas sugerencias en cuanto a instalación, operación y mantenimiento, podrá disfrutar de muchos años de servicio eficiente y satisfactorio de este enfriador. Si desea más información, su concesionario tendrá mucho gusto en ayudarle con respecto a cualquier duda o pregunta.

Esquemas Del Cableado

Para 1 o 2 C.V., Motor De Una Fase

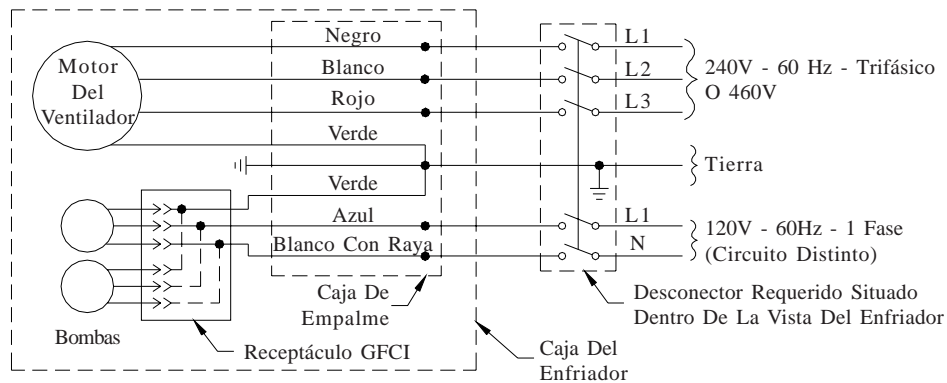


Fig. 8

Para 1 o 2 C.V., Motor Trifásico

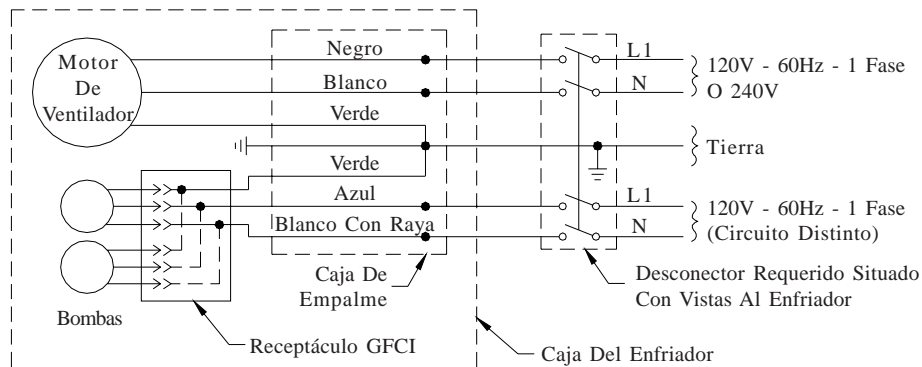


Fig. 9

La Localización De Averías

Problema	Causa Posible	Remedio
No arranca o no sale aire	<ol style="list-style-type: none"> No llega corriente <ul style="list-style-type: none"> Fusible fundido Cortacircuito desactivado Correa muy floja o apretada Motor recalentado <ul style="list-style-type: none"> Correa muy apretada Cojinetes de la rueda están secos Motor parado 	<ol style="list-style-type: none"> Revise la corriente <ul style="list-style-type: none"> Cambie el fusible Restablecer el cortacircuito Ajuste la tensión de la Correa Determine la causa <ul style="list-style-type: none"> Ajuste la tensión de la correa Engrasar los cojinetes Cambie el motor
Sale poco aire cuando la unidad está funcionando	<ol style="list-style-type: none"> Insuficiente abertura para que salga el aire Poca tensión en la correa Filtros obstruidos Agua insuficiente en el medio evaporativo 	<ol style="list-style-type: none"> Abra ventanas o puertas para aumentar flujo de aire Ajuste la tensión o cambie la correa Limpie los filtros Limpie el sistema de distribución y los agujeros del canal
Motor se apaga y se enciende	<ol style="list-style-type: none"> Voltaje deficiente Demasiada tensión en la correa Eje del ventilador atorado Cojinetes secos Motor defectuoso 	<ol style="list-style-type: none"> Compruebe el voltaje Ajuste la tensión de la correa Engrasar o cambie los cojinetes (Desconecte la unidad) Engrasar los cojinetes Cámbielo

Problema	Causa Posible	Remedio
Enfriamiento inadecuado	<ol style="list-style-type: none"> Insuficiente abertura para que salga aire El medio evaporativo no está mojado <ul style="list-style-type: none"> Filtros obstruidos Agujeros de los tubos obstruidos Bomba no funciona 	<ol style="list-style-type: none"> Abra más las ventanas o puertas Revise la distribución de agua <ul style="list-style-type: none"> Limpie los filtros Límpielos Cámbiela o límpiela (Desconecte la unidad)
Hace Ruido	<ol style="list-style-type: none"> Cojinetes secos Partes sueltas 	<ol style="list-style-type: none"> Engrasar los cojinetes Apriételas
Demasiada humedad en la casa	<ol style="list-style-type: none"> Insuficiente salida de aire 	<ol style="list-style-type: none"> Abra puertas o ventanas
Olor a encerrado, olor desagradable	<ol style="list-style-type: none"> Agua estancado en la unidad El medio evaporativo está seco <ul style="list-style-type: none"> Agujeros del tubos tapados Bomba no trabaja adecuada Insuficiente flujo de agua 	<ol style="list-style-type: none"> Desagüe y limpie el medio evaporativo Revise la distribución de agua <ul style="list-style-type: none"> Límpielos Reemplace o limpie la bomba (Desconecte la unidad) Limpie el sistema de distribución y agujeros de los canales

Garantía Limitada

La presente garantía se extiende al comprador original de un enfriador evaporativo instalado y utilizado bajo condiciones normales. No cubre daños ocurridos por accidente, descuido o abuso por parte del propietario. No autorizamos que ninguna otra persona o representante asuma por nosotros cualquier otra o diferente responsabilidad en relación con este producto.

Terminos y Condiciones De La Garantía

Garantía limitada de por vida en la base original del enfriador en caso de gotera de agua debido a un defecto del material. A partir de la fecha de compra reemplazaremos estos componentes originales que fallen debido a cualquier defecto de materiales o mano de obra en la fábrica. Reemplazaremos las partes en lo siguiente:

- Un año por los componentes del caja.
- Dos años por el medio evaporativo.

Exclusiones De La Garantía

No somos responsables por daños que resulten a consecuencia de alguna falla de funcionamiento.

No somos responsables por cualquier daño producido por el uso de suavizadores de agua, productos químicos, materiales desincrustantes, envolturas de plástico, o si se usa en esta unidad un motor de mayor potencia de la que se indica en la placa de número de serie.

No somos responsables por el costo del servicio para diagnosticar la causa del problema ni por la mano de obra necesaria para reparar y/o reemplazar piezas.

Como Obtener Servicio Bajo Esta Garantía

Póngase en contacto con el Concesionario que le vendió el enfriador. Si por alguna razón usted no queda satisfecho con la respuesta por parte del Concesionario, comuníquese con el departamento de servicio al cliente: 5800 Murray Street, Little Rock, Arkansas 72209. 1-800-643-8341. E-mail: info@championcooler.com, Web: www.championcooler.com.

Esta garantía limitada se aplica al comprador original solamente.

Free Manuals Download Website

<http://myh66.com>

<http://usermanuals.us>

<http://www.somanuals.com>

<http://www.4manuals.cc>

<http://www.manual-lib.com>

<http://www.404manual.com>

<http://www.luxmanual.com>

<http://aubethermostatmanual.com>

Golf course search by state

<http://golfingnear.com>

Email search by domain

<http://emailbydomain.com>

Auto manuals search

<http://auto.somanuals.com>

TV manuals search

<http://tv.somanuals.com>