

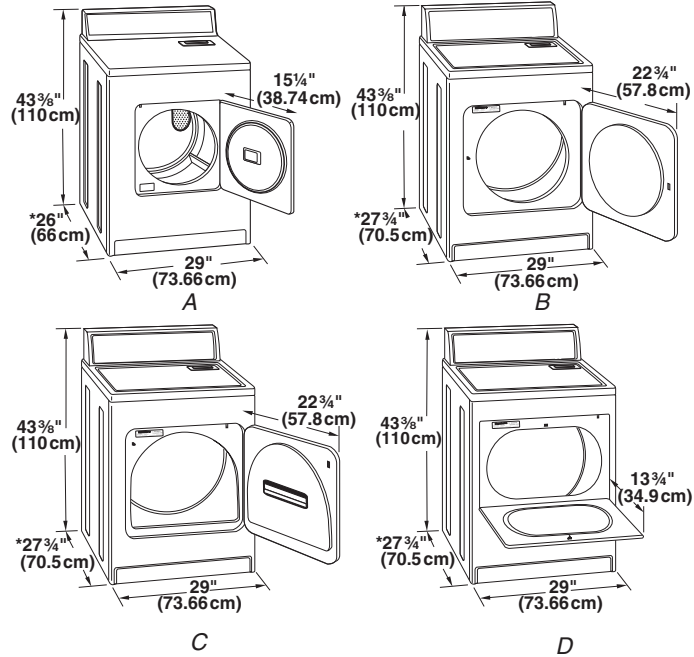
## PRODUCT MODEL NUMBERS

|          |          |
|----------|----------|
| EED4100S | TEDS840P |
| EED4300S | TEDX340R |
| EED4400S | TEDX540R |
| TEDS740P | TEDX640P |

**Electrical:** A four-wire or three-wire, single phase, 120/240-volt, 60 Hz, AC-only, electrical supply (or 120/208-volt electrical supply, if specified on the serial/rating plate) is required on a separate 30 amp circuit, fused on both sides of the line. Use 10 gauge solid copper wire. A time-delay fuse or circuit breaker is recommended.

**Exhaust venting:** Exhaust your dryer to the outside. Four-inch diameter vent is required. Rigid or flexible metal exhaust vent must be used. Do not use plastic or metal foil vent. Exhaust outlet hood must be at least 12 inches from the ground or any object that may be in the path of the exhaust.

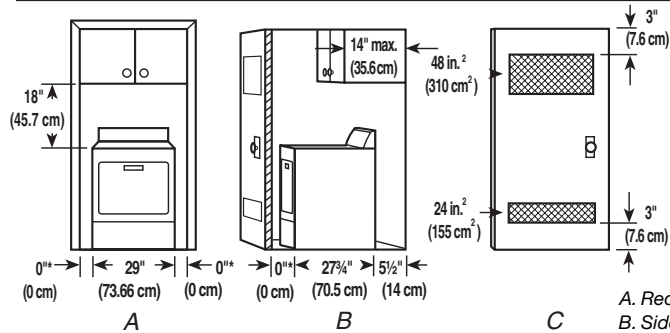
## OVERALL DIMENSIONS



A. Small opening side-swing door  
 B. Large opening side-swing door  
 C. Wide opening side-swing door  
 D. Wide opening hamper door

\* Most installations require a minimum 5 1/2" (14 cm) clearance behind the dryer for the exhaust vent with elbow.

## RECESSED AREA AND CLOSET INSTALLATION



For closet installation with a door, minimum ventilation openings in the top and bottom of the door are required. Louvered doors with equivalent air openings are acceptable.

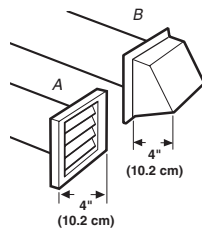
A. Recessed area  
 B. Side view - closet or confined area  
 C. Closet door with vents

## EXHAUST VENTING

| Number of 90° turns or elbows | Type of vent   | Box or Louvered hoods | Angled hoods   |
|-------------------------------|----------------|-----------------------|----------------|
| 0                             | Rigid metal    | 64 ft (20 m)          | 58 ft (17.7 m) |
|                               | Flexible metal | 36 ft (11 m)          | 28 ft (8.5 m)  |
| 1                             | Rigid metal    | 54 ft (16.5 m)        | 48 ft (14.6 m) |
|                               | Flexible metal | 31 ft (9.4 m)         | 23 ft (7 m)    |
| 2                             | Rigid metal    | 44 ft (13.4 m)        | 38 ft (11.6 m) |
|                               | Flexible metal | 27 ft (8.2 m)         | 19 ft (5.8 m)  |
| 3                             | Rigid metal    | 35 ft (10.7 m)        | 29 ft (8.8 m)  |
|                               | Flexible metal | 25 ft (7.6 m)         | 17 ft (5.2 m)  |
| 4                             | Rigid metal    | 27 ft (8.2 m)         | 21 ft (6.4 m)  |
|                               | Flexible metal | 23 ft (7 m)           | 15 ft (4.6 m)  |

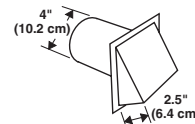
**NOTE:** Side and bottom exhaust installations have a 90° turn inside the dryer. To determine maximum exhaust length, add one 90° turn to the chart.

## Recommended hood styles



A. Louvered hood style  
 B. Box hood style

## Angled hood style is acceptable.



Select the route that will provide the straightest and most direct path outdoors. Plan the installation to use the fewest number of elbows and turns. Avoid making 90° turns.

Do not use vent runs longer than specified in vent length chart.

Determine the number of elbows you will need.

## Free Manuals Download Website

<http://myh66.com>

<http://usermanuals.us>

<http://www.somanuals.com>

<http://www.4manuals.cc>

<http://www.manual-lib.com>

<http://www.404manual.com>

<http://www.luxmanual.com>

<http://aubethermostatmanual.com>

Golf course search by state

<http://golfingnear.com>

Email search by domain

<http://emailbydomain.com>

Auto manuals search

<http://auto.somanuals.com>

TV manuals search

<http://tv.somanuals.com>