



# 29" (73.7 cm) Electric Dryer

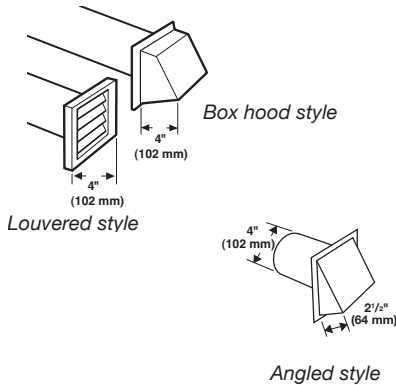
## PRODUCT MODEL NUMBERS

EED4400W

**Electrical:** To supply the required three- or four-wire, single-phase, 120/240-volt, 60-Hz, AC-only electrical supply (or three- or four-wire, 120/208-volt electrical supply, if specified on the serial/rating plate) on a separate 30-amp circuit, fused on both sides of the line. A time-delay fuse or circuit breaker is recommended. Connect to an individual branch circuit. Do not have a fuse in the neutral or grounding circuit.

**Exhaust venting:** Exhaust your dryer to the outside. 4" (102 mm) diameter heavy metal exhaust vent and clamps must be used. DURASAFE™ venting products are recommended. For best drying performance, rigid metal vents are recommended. Flexible metal vents are acceptable only if accessible for cleaning. Do NOT use plastic or metal foil vent. Exhaust outlet hood must be at least 12" (304 mm) from the ground or any object that may be in the path of the exhaust.

## EXHAUST VENTING



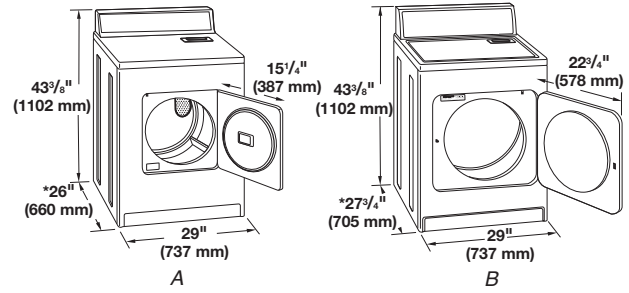
## Vent System Chart

**NOTE:** Side and bottom exhaust installations have a 90° turn inside the dryer. To determine maximum exhaust length, add one 90° turn to the chart.

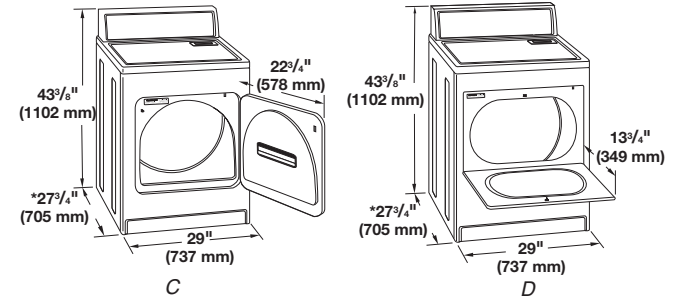
Number of 90° turns or elbows	Type of vent	Box or Louvered hoods	Angled hoods
0	Rigid metal	64 ft (20 m)	58 ft (17.7 m)
1	Rigid metal	54 ft (16.5 m)	48 ft (14.6 m)
2	Rigid metal	44 ft (13.4 m)	38 ft (11.6 m)
3	Rigid metal	35 ft (10.7 m)	29 ft (8.8 m)
4	Rigid metal	27 ft (8.2 m)	21 ft (6.4 m)

## PRODUCT DIMENSIONS

- A. Small Opening Side-Swing Door
- B. Large Opening Side-Swing Door



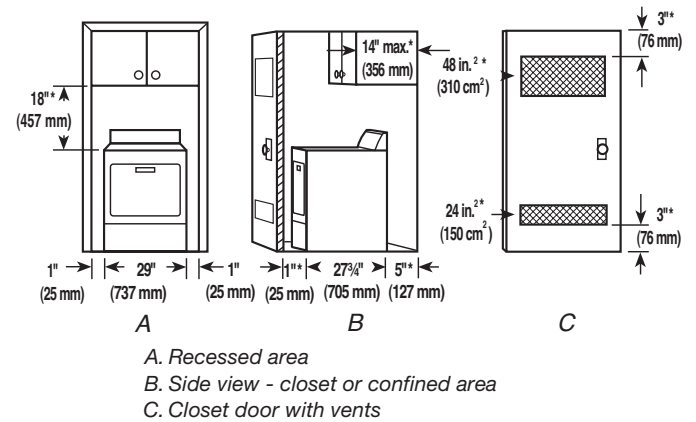
- C. Wide Opening Side-Swing Door
- D. Wide Opening Hamper Door



\*Most installations require a minimum 5" (127 mm) clearance behind the dryer for exhaust vent with elbow.

## RECESSED AREA AND CLOSET INSTALLATION

For closet installation with a door, minimum ventilation openings in the top and bottom of the door are required. Louvered doors with equivalent air openings are acceptable.



1. Select the route that will provide the straightest and most direct path outdoors. Plan the installation to use the fewest number of elbows and turns. When using elbows or making turns, allow as much room as possible. Bend vent gradually to avoid kinking. Use the fewest 90° turns possible.

2. Determine vent length.

The maximum length of the exhaust system depends upon:

- The type of vent (rigid metal or flexible metal).
- The number of elbows used.
- Type of hood.

See the exhaust vent length chart that matches your hood type for the maximum vent lengths you can use.

3. Determine the number of elbows you will need.

**IMPORTANT:** Do not use vent runs longer than specified in the Vent Length Chart.

## Free Manuals Download Website

<http://myh66.com>

<http://usermanuals.us>

<http://www.somanuals.com>

<http://www.4manuals.cc>

<http://www.manual-lib.com>

<http://www.404manual.com>

<http://www.luxmanual.com>

<http://aubethermostatmanual.com>

Golf course search by state

<http://golfingnear.com>

Email search by domain

<http://emailbydomain.com>

Auto manuals search

<http://auto.somanuals.com>

TV manuals search

<http://tv.somanuals.com>