



# 29" and 27" Gas Dryer

## PRODUCT MODEL NUMBERS

EGD4100S EGD4400W EGD4100W

**Gas supply:** This dryer is equipped for use with Natural gas. It is design-certified by CSA International for LP (propane or butane) gases with appropriate conversion. The gas line must include 1/8" NPT minimum plugged tapping accessible for test gauge connection, immediately upstream of the gas connection to the dryer. 1/2" IPS pipe is recommended.

3/8" approved aluminum or copper tubing is acceptable for lengths under 20 ft (6.1 m) if local codes and gas supplier permit.

If you are using Natural gas, do not use copper tubing.

3/8" flare x 3/8" NPT adapter fitting between dryer pipe and 3/8" approved tubing. Lengths over 20 ft (6.1 m) should use larger tubing and a different size adapter fitting.

If your dryer has been converted to use LP gas, 3/8" LP compatible copper tubing can be used. If the total length of the supply line is more than 20 ft (6.1 m), use larger pipe.

**NOTE:** Pipe-joint compounds that resist the action of LP gas must be used. Do not use TEFLON<sup>®</sup> tape.

Must include a shutoff valve.

### In the U.S.A.:

An individual manual shutoff valve must be installed within six (6) feet (1.8 m) of the dryer in accordance with the National Fuel Gas Code, ANSI Z223.1.

### In Canada:

An individual manual shutoff valve must be installed in accordance with the B149.1, Natural Gas and Propane Installation Code. It is recommended that an individual manual shutoff valve be installed within six (6) feet (1.8 m) of the dryer.

The location should be easy to reach for opening and closing.

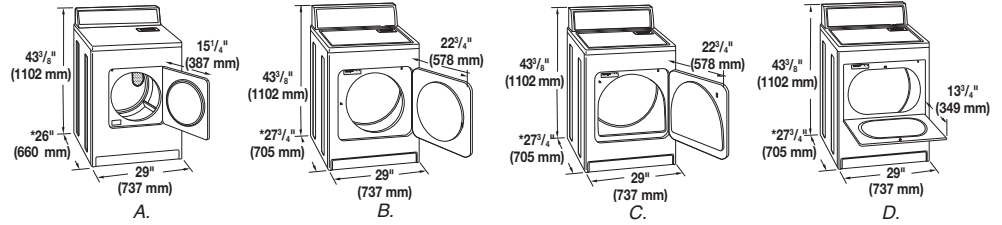
**Electrical:** 120-volt, 60-Hz, AC-only, 15- or 20-amp fused electrical supply is required. A time-delay fuse or circuit breaker is recommended. It is also recommended that a separate circuit serving only this dryer be provided.

**Exhaust venting:** Exhaust your dryer to the outside. 4" (102 mm) diameter vent is required. Rigid or flexible metal exhaust vent must be used. Do not use plastic or metal foil vent. Exhaust outlet hood must be at least 12" (305 mm) from the ground or any object that may be in the path of the exhaust.

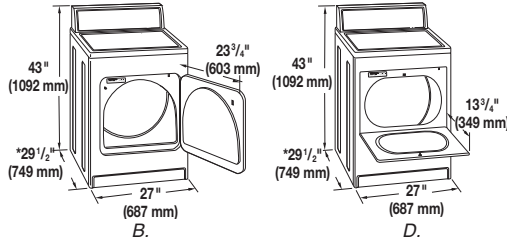
†TEFLON is a registered trademark of E.I. Du Pont De Nemours and Company.

## PRODUCT DIMENSIONS

### 29" Model



### 27" Model

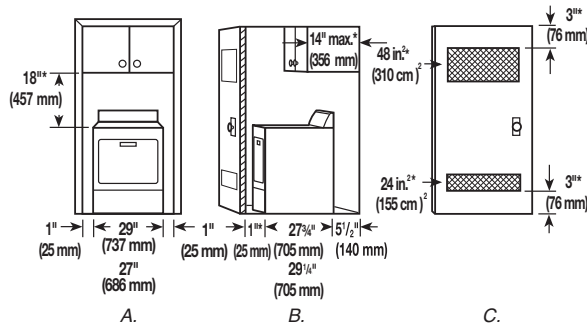


- A. Small Opening Side-Swing Door
- B. Large Opening Side-Swing Door
- C. Wide Opening Side-Swing Door
- D. Wide Opening Hamper Door

Most installations require a minimum 5 1/2" (140 mm) clearance behind the dryer for the exhaust vent with elbow.

## RECESSED AREA AND CLOSET INSTALLATION

For closet installation with a door, minimum ventilation openings in the top and bottom of the door are required. Louvered doors with equivalent ventilation openings are acceptable.

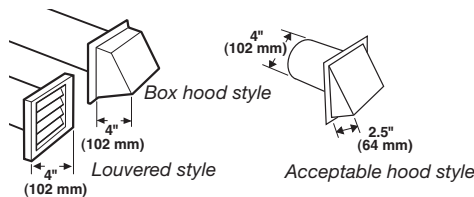


- A. Recessed area
- B. Side view - closet or confined area
- C. Closet door with vents

## EXHAUST VENTING

Exhaust your dryer to the outside. 4" (102 mm) diameter vent is required. Rigid or flexible metal exhaust vent must be used. Do not use plastic or metal foil vet. Exhaust hood must be at least 12" (305 mm) from the ground or any object that may be in the path of the exhaust.

Hood styles: Box and Louvered hoods styles are recommended.



The vent system chart provides venting requirements that will help to achieve the best drying performance.

**Vent system chart:** NOTE: Side and bottom exhaust installations have a 90° turn inside the dryer. To determine maximum exhaust length, add one 90° turn to the chart.

## Vent System Chart

| Number 90° turns or elbows | Type of vent | Box/louvered hoods | Angled hoods    |
|----------------------------|--------------|--------------------|-----------------|
| 0                          | Rigid metal  | 64 ft. (20 m)      | 58 ft. (17.7 m) |
| 1                          | Rigid metal  | 54 ft. (16.5 m)    | 48 ft. (14.6 m) |
| 2                          | Rigid metal  | 44 ft. (13.4 m)    | 38 ft. (11.6 m) |
| 3                          | Rigid metal  | 35 ft. (10.7 m)    | 29 ft. (8.8 m)  |
| 4                          | Rigid metal  | 27 ft. (8.2 m)     | 21 ft. (6.4 m)  |

**NOTE:** Side and bottom exhaust installations for 27" wide models have a 90° turn inside the dryer. To determine maximum exhaust length, add one 90° turn to the chart.

## Vent System Chart (29" Wide Long Vent Models Only)

| Number 90° turns or elbows | Type of vent | Box, louvered, or angled hoods |
|----------------------------|--------------|--------------------------------|
| 0                          | Rigid metal  | 120 ft. (36.6 m)               |
| 1                          | Rigid metal  | 110 ft. (33.5 m)               |
| 2                          | Rigid metal  | 100 ft. (30.5 m)               |
| 3                          | Rigid metal  | 90 ft. (27.4 m)                |
| 4                          | Rigid metal  | 80 ft. (24.4 m)                |
| 5                          | Rigid metal  | 70 ft. (21.3 m)                |

## Free Manuals Download Website

<http://myh66.com>

<http://usermanuals.us>

<http://www.somanuals.com>

<http://www.4manuals.cc>

<http://www.manual-lib.com>

<http://www.404manual.com>

<http://www.luxmanual.com>

<http://aubethermostatmanual.com>

Golf course search by state

<http://golfingnear.com>

Email search by domain

<http://emailbydomain.com>

Auto manuals search

<http://auto.somanuals.com>

TV manuals search

<http://tv.somanuals.com>