

# FR250

## OPERATION MANUAL



AM/FM SHORTWAVE RADIO,  
FLASHLIGHT, AND CELL PHONE CHARGER

*eton*<sup>®</sup>

*eton*<sup>®</sup>

---

## DO YOU NEED HELP? Contact Us.

Eton Corporation, 1015 Corporation Way, Palo Alto, CA 94303, USA.  
1-800-872-2228 (U.S.); 1-800-637-1648 (Canada); 650-903-3866  
(worldwide); M-F, 8:30-4:30, Pacific Standard Time;  
[www.etoncorp.com](http://www.etoncorp.com).

### WARNING

- **Do not** expose this appliance to rain or moisture.
- **Do not** submerge or expose for extended period to water.
- Protect from high humidity and rain.
- Only operate within specified temperature range (0 °C to 40 °C).
- Unplug immediately if liquid has been spilled or object have fallen into the apparatus.
- Clean only with a dry cloth. Do not use detergents or chemical solvents as this might damage the finish.
- Unplug and disconnect external antennas during lightning storms.
- Do not remove cover [or back].
- Refer servicing to qualified service personnel.

### ENVIRONMENT

---

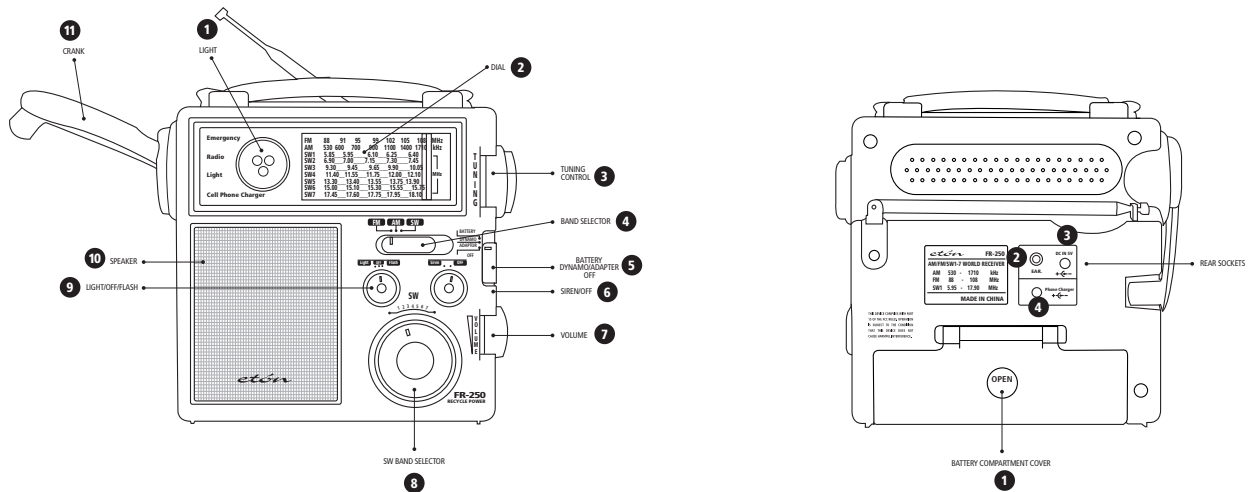


#### Disposal

According to the European Directive 2002/96/EC all electrical and electronic products must be collected separately by a local collection system.

Please act according to your local rules and do not dispose of your old products with your normal household waste.

## DIAGRAMS



1. Light
2. Dial
3. Tuning Control
4. Band Selector
5. Power Battery-Dynamo/Adaptor-Off
6. Siren/ON/OFF
7. Volume
8. SW Band Selector
9. Light/OFF/Flash
10. Speaker
11. Crank

1. Battery Compartment Cover
2. Earphone Jack
3. AC Adapter Jack
4. Cell Phone Charger Jack

## INITIAL SETUP

---

1. Open the battery compartment; it slides downward with firm pressure at center of hinge.
2. Connect the battery pack.

## POWER SOURCES

---

1. Rechargeable battery pack (included).
2. 3 AA batteries (not included).
3. AC adapter/charger (not included).
4. Continually turning the crank, even with no batteries installed.

## CHARGING THE BATTERY PACK

---

1. Switch the power selector to the OFF position.
2. Turn the dynamo-crank clockwise or counter-clockwise about 2 turns per second.
3. After charging, select the DYNAMO/ADAPTOR position for power.

While charging, the red LED charging light illuminates.

## AA BATTERY OPERATION

---

1. Open the battery compartment.
2. Install 3 AA batteries, observing polarity diagram.
3. For power, set the power selector switch to the BATTERY position.

## USING AN AC ADAPTER (NOT INCLUDED)

---

1. Plug the adapter into the DC 4.5 V socket.
2. For power, set the power selector switch to the DYNAMO/ADAPTER position.

## EMERGENCY OPERATION WITH NO POWER SOURCE

---

1. Set power selector switch to DYNAMO/ADAPATOR.
2. While continually turning the dynamo crank, radio stations can be tuned and the lights and siren function.

## CELL PHONE CRANK CHARGING

---

Because cell phone batteries vary in their current ratings, we cannot specify charging rates or usage time. 10 to 15 minutes of cranking may result in 1 or more minutes of talk-time.

1. Set power selector switch to OFF position.
2. Plug the cell phone charging cord into the Phone Charge socket.
3. Select the correct charging tip for your phone.
4. Plug charging tip into the charging cord and into the phone's charging socket.
5. Rotate the dynamo crank.

## TURNING THE RADIO ON AND OFF

---

Turn it on with the POWER switch.

1. Select the BATTERY position when using AA batteries.
2. Select the DYNAMO/ADAPTER position when powering via the AC adapter or internal, rechargeable Ni-MH battery pack.
3. To turn off, set power selector switch to OFF.

## ADJUSTING THE VOLUME

---

Set VOLUME knob to desired level.

## TUNING-IN STATIONS

---

1. Select AM, FM or SW with the band selector switch. When using SW, select the desired shortwave band with the 8-position SW band selector knob (SW 1-8). For FM and SW, fully extend the telescopic antenna.
2. Adjust the volume with the VOLUME knob.
3. Tune stations with the TUNING knob.

## SHORTWAVE RECEPTION

---

Shortwave stations can be from thousands of miles away, usually in other countries. To learn about shortwave, visit our web site or search the Internet. The books shown below are excellent.

### **PASSPORT TO WORLD BAND RADIO**

Published by International Broadcasting Services (IBS); IBS North America, Box 300, Penn's Park PA 18943. Phone: (215) 598-9018. [www.passband.com](http://www.passband.com).

### **WORLD RADIO TV HANDBOOK**

Published in the USA by Watson-Guption Publications, 770 Broadway, 7th Floor, New York, NY 10003-9595. [www.wat-songuption.com](http://www.wat-songuption.com).

## LIGHTS AND SIREN

---

Set the LIGHT/OFF/FLASH switch to the FLASH or LIGHT position. Set the SIREN/OFF switch to the SIREN position.

## EARPHONE JACK

---

Plug in earphones (not included).

## BATTERY PACK SPECIFICATIONS

---

Ni-MH; 3.6 volt DC; 600 mAh.

## AC ADAPTER SPECIFICATIONS

---

Output 4.5 volt DC; negative polarity; 100 milliampere; plug tip outer diameter 3.4mm, inner diameter 1.3mm. AC adapter use automatically charges the rechargeable battery pack. Only charge the battery pack with a 100 milliampere AC adapter. If an AC adapter rated greater than 100 milliampere is used, disconnect the rechargeable battery pack.

## IMPORTANT BATTERY INFORMATION

---

To minimize the possibility of battery acid leakage, only use high quality alkaline, lithium or rechargeable nickel-metal-hydride batteries. Never intermix old with new, or different brands or types of batteries. Damage caused by battery acid leakage is not covered by this product's warranty.

## WARRANTY REGISTRATION

---

To ensure full warranty coverage or product updates, registration of your product should be completed as soon as possible after purchase or receipt. You may use one of the following options to register your product:

1. By visiting our website at <http://www.etoncorp.com>.
2. Mail in enclosed warranty card.
3. Mail your registration card or information to the following address; Include your name, full mailing address, phone number, model purchased, date purchased, retail vendor name and product serial number (typically located in or near the battery compartment):

Etón Corporation  
1015 Corporation Way  
Palo Alto, CA 94303

## LIMITED WARRANTY

---

Retain the warranty information from your warranty card with your proof of purchase or the Limited Warranty information can also be viewed at [www.etoncorp.com](http://www.etoncorp.com).

## SERVICE FOR YOUR PRODUCT

---

To obtain service for your product, we recommend first contacting an Etón service representative at 800-872-2228 US, 800-637-1648 Canada or (650) 903-3866 for problem determination and troubleshooting. If further service is required, the technical staff will instruct how to proceed based on whether the radio is still under warranty or needs non-warranty service.

**WARRANTY** – If your product is still in warranty and the Etón service representative determines that warranty service is needed, a return authorization will be issued and instructions for shipment to an authorized warranty repair facility. Do Not ship your radio back without obtaining the return authorization number.

**NON-WARRANTY** – If your product is no longer under warranty and requires service our technical staff will refer you to the nearest repair facility that will be able to best handle the repair.

For service outside of North America, please refer to the distributor information included at time of purchase/receipt.

***etón* Corporation**

Corporate Headquarters  
1015 Corporation Way  
Palo Alto, California 94303 USA  
tel +1 650-903-3866  
tel +1 800-872-2228  
fax +1 650-903-3867

***etón* Europe/Lextronix Germany**

Rosenstrasse 2  
D-10178 Berlin, Germany  
tel +49 [0]30 243102149

***etón* Canada**

1 Yonge Street, Suite 1801  
Toronto, Ontario M5E 1W7 Canada  
tel +1 416-214-6885

## Free Manuals Download Website

<http://myh66.com>

<http://usermanuals.us>

<http://www.somanuals.com>

<http://www.4manuals.cc>

<http://www.manual-lib.com>

<http://www.404manual.com>

<http://www.luxmanual.com>

<http://aubethermostatmanual.com>

Golf course search by state

<http://golfingnear.com>

Email search by domain

<http://emailbydomain.com>

Auto manuals search

<http://auto.somanuals.com>

TV manuals search

<http://tv.somanuals.com>