

euro-pro[®]kitchen

**ROTISSERIE CONVECTION OVEN
HORNO A CONVECCIÓN Y ROSTIZADOR**

**OWNER'S MANUAL
MANUAL DEL USUARIO**

**Model/Modelo: TO241R
120V., 60Hz., 1500 Watts**



**EURO-PRO Operating LLC
Boston, MA, 02465
Tel. : 1 (800) 798-7398
www.euro-pro.com**

EURO-PRO[®]

IMPORTANT SAFETY INSTRUCTIONS

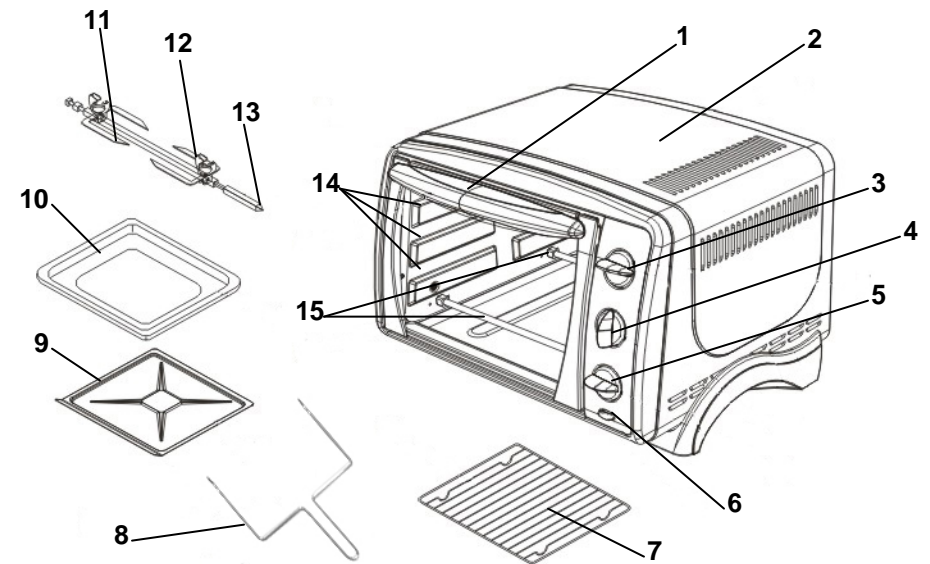
When using your **ROTISSERIE CONVECTION OVEN**, basic safety precautions should always be observed, including the following:

1. Read all instructions before using your **ROTISSERIE CONVECTION OVEN**.
 2. **Do not** touch hot surfaces. Always use handles or knobs.
 3. Close supervision is necessary when any appliance is used by or near children.
 4. To protect against electric shock, **do not** immerse cord, plug or oven in water or other liquids.
 5. **Do not** let cord hang over edge of table or counter, or touch hot surfaces.
 6. **Do not** operate appliance with damaged cord or plug or after the appliance malfunctions or has been damaged in any manner. Return appliance to **EURO-PRO Operating LLC** for examination, repair or adjustment.
 7. The use of accessory attachments not recommended by the appliance manufacturer may cause hazard or injury.
 8. **Do not** place on or near a hot gas or electric burner.
 9. When operating the oven, keep at least four inches of free space on all sides of the oven to allow for adequate air circulation.
 10. Unplug from outlet when not in use and before cleaning. Allow to cool before putting on or taking off parts, and before cleaning.
 11. To disconnect, turn the time control button to OFF, then remove the plug. Always hold the plug, and never pull the cord.
 12. Extreme caution must be used when moving a baking/drip pan containing hot oil or other hot liquids.
 13. **Do not** cover crumb tray or any part of the oven with metal foil. This may cause the oven to overheat.
 14. Use extreme caution when removing the tray, racks or disposing of hot grease or other hot liquids.
 15. **Do not** clean the inside of the oven with metal scouring pads. Pieces can break off the pad and touch electrical parts, creating a risk of electric shock.
 16. Oversized foods or metal utensils must not be inserted in a toaster oven as they may create a fire or risk of electric shock.
 17. A fire may occur if the oven is covered or touching flammable material, including curtains, draperies, walls and the like when in operation. **Do not** place any items on the oven during operation.
 18. Extreme caution should be exercised when using cooking or baking containers constructed of anything other than metal or ovenproof glass.
 19. Be sure that nothing touches the top or bottom elements of the oven.
 20. **Do not** place any of the following materials in the oven: cardboard, plastic, paper, or anything similar.
 21. **Do not** store any materials other than manufacturer's recommended accessories in this oven when not in use.
 22. This appliance is OFF when the Time Control button is in the "OFF" position.
 23. Always wear protective, insulated oven gloves when inserting or removing items from the hot oven.
 24. This appliance has a tempered, safety glass door. The glass is stronger than ordinary glass and more resistant to breakage. Tempered glass can still break around the edges. Avoid scratching door surface or nicking edges.
 25. **Do not** use outdoors.
 26. **Do not** use appliance for other than intended use.
- Note:** This unit has a short power supply cord to reduce the risk resulting from becoming entangled in or tripping over a long cord. An extension cord may be used if you are careful in its use:
1. The electrical rating of the extension cord should be at least as great as the electrical rating of the appliance.
 2. An extension cord with the power cord must be arranged so that it will not drape over the countertop or tabletop where they can be pulled on by children or tripped over accidentally.

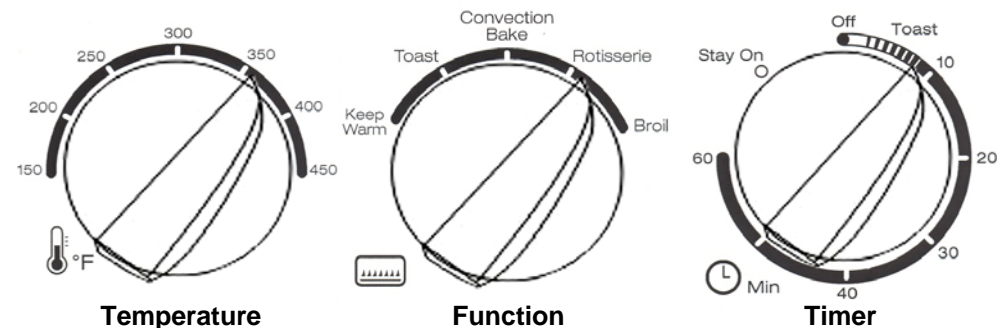
SAVE THESE INSTRUCTIONS For Household Use Only

WARNING: To reduce the risk of electric shock, this appliance has a polarized plug (one blade is wider than the other). This plug will fit in a polarized outlet only one way. If the plug does not fit fully in the outlet, reverse the plug. If it still does not fit, contact a qualified electrician to install the proper outlet. **Do not** modify the plug in any way.

Getting To Know Your Rotisserie Convection Oven



- | | |
|-----------------------------|----------------------------------------|
| 1. Door Handle | 9. Crumb Tray |
| 2. Housing | 10. Baking/Drip Pan |
| 3. Temperature Control Knob | 11. Rotisserie Skewers (x2) |
| 4. Function Control Knob | 12. Rotisserie Skewer Thumbscrews (x2) |
| 5. Time Control Knob | 13. Rotisserie Spit |
| 6. Power "On" Light | 14. Rack Guides |
| 7. Wire Rack (x2) | 15. Lower Heating Elements |
| 8. Rotisserie Handle | |



Technical Specifications

Voltage: 120V., 60Hz.
Power: 1500 Watts
* Illustrations may differ from actual product.

Before Using Your Rotisserie Convection Oven

Read all the sections of this booklet and follow all the instructions carefully.

1. Read all of the instructions included in this manual.
2. Make sure that the oven is unplugged and the Time Control Knob is in the "OFF" position.
3. Wash all the accessories in hot, soapy water or in the dishwasher. Also remove the rotisserie spit and skewers from the packaging. Wash these in hot, soapy water being careful of the sharp ends of the skewers.
4. Thoroughly dry all accessories and re-assemble in oven according to your needs. Plug oven into the electrical outlet and you are ready to use your new Rotisserie Convection Oven.
5. After re-assembling your oven, we recommend that you run it at the highest temperature (450° F.) on the Toast Function for approximately 15 minutes to eliminate any packing residue that may remain after shipping. This will also remove all traces of odor which may be initially present.

Please Note: Initial start-up operation may result in minimal smell and smoke (about 15 minutes). This is normal and harmless. It is due to burning of the protective substance applied to the heating elements in the factory.

Warning: TO AVOID RISK OF INJURY OR BURNS, DO NOT TOUCH HOT SURFACES WHEN OVEN IS IN USE. ALWAYS USE OVEN MITTS.

Caution: Always use extreme care when removing rotisserie, baking/drip pan, wire rack, crumb tray or any hot object from a hot oven. Always use rotisserie handle or oven mitts when removing these items.

Caution: Do not leave oven unattended while in operation.

Using Your Rotisserie Convection Oven

Please familiarize yourself with the following oven functions and accessories prior to first use:

- **Temperature Control** - Choose the desired temperature from 150°F to 450°F for baking or rotisserie.
- **Function Control** - This oven is equipped with five positions for a variety of cooking needs:
 - Keep Warm** - To keep cooked food warm for up to 30 minutes.
 - Toast** - Bread, muffins, frozen waffles, etc.
 - Convection Bake** - Cakes, pies, cookies, poultry, beef, pork, etc.
 - Rotisserie** - Can cook up to a 5-lb roast or chicken
 - Broil** - For broiling fish, steak, poultry, pork chops, etc.
- **Time Control** - When you turn the control to the left (counter-clockwise) to the "Stay On" setting, the oven will stay "ON" until it is manually shut "OFF". To activate the timer segment of the control, turn to the right (clockwise) to toast or use as a timer. This function also has a bell that rings (you will hear a "ding") at the end of the programmed time.
- **Convection Fan** - The convection fan works automatically on "Bake" setting.
- **Power "On" Light** - Is illuminated whenever the oven is turned on.
- **Wire Rack** - For toasting, baking and general cooking for casserole dishes and standard pans.
- **Baking/Drip Pan** - For use in broiling and roasting meat, poultry, fish and various other foods.
- **Rotisserie Spit** - Roasts a variety of meats and poultry that are very tender and juicy inside, and browned to perfection outside.
- **Rotisserie Handle** - Used for removing the rotisserie spit from the oven after your roast is done.

Before using your convection/rotisserie oven:

1. Wash all accessories in hot soapy water or in the dishwasher.
2. Thoroughly dry all accessories and re-assemble in oven. Plug power cord into electrical outlet and you are ready to use your oven.
3. After re-assembling your oven, we recommend that you run the oven at the highest temperature (450°F) on the "Toast" function for approximately 15 minutes to eliminate any packing residue that may remain after shipping. This will also remove all traces of odor initially present.

Please Note: Initial start-up operation may result in minimal smell and smoke (about 15 minutes). This is normal and harmless. It is due to burning of the protective substance applied to the heating elements in the factory.

Convection Cooking

Convection cooking combines hot air movement, by means of a fan, with the "Bake" feature of your oven. In many cases, convection cooking provides faster cooking than regular radiant types of toaster ovens. The fan gently sends air to every area of the food, quickly browning, crisping and sealing in moisture and flavor. It produces more even temperature all around the food by air movement so that food cooks/bakes evenly versus the normal ovens hot and cold spots. The convection feature allows cooking/baking at lower temperatures, which saves energy and helps keep the kitchen cooler. Convection air is superheated and it circulates around the food so it cooks food significantly faster than conventional ovens.

Convection Bake

Convection baking is very consistent and even. The fan circulates the hot air around the food making baked goods rise quickly and evenly. Bake your favorite cookies, cakes, pies, brownies, etc. The bake ware that will fit in your oven are up to 9 inches in length. We do not recommend the use of oven roasting bags or glass containers in the oven. **Never** use plastic, cardboard, paper or anything similar in the oven.

Operation

1. Place the wire rack in the lowest or middle rack guide depending on the height of your baking dish, or according to the recipe.
2. Preheat the oven as directed in the recipe, usually 15 minutes.
3. Place baking dish, with item(s) to be baked, on the wire rack.
4. Turn the function control to "Bake".
5. Turn the time control to position "Stay On".
6. When baking is complete, turn the time control to "OFF".

Positioning of Oven Rack

Cookies - use bottom or middle support guides.

Layer cakes - use bottom support guide only (bake one at a time).

Pies - use bottom or middle support guides.

Baking Cookies

For baking cookies, we suggest adjusting baking temperature and using cookie sheets (not included) placed on the wire rack. Also, using parchment paper on the cookie sheets might prove helpful when baking certain types of cookies.

1. Slide the wire rack onto the lowest or middle rack guide, depending on the recipe.
2. Preheat oven for 15 minutes, then place cookie sheet on the wire rack to begin baking.
3. Use parchment paper on cookie sheets so cookies will not stick.
4. Cookie sheet baking times and temperatures may differ from those necessary when using other baking materials.

Baking Guide

Follow the package or recipe instructions for baking times and temperature.

Recommended Pan Sizes

The following recommended pan sizes should fit your Convection/ Toaster Oven with Rotisserie. To be sure pan will fit, place the pan inside the oven to check before preparing your recipe.

- 6 - cup muffin pan
- 8 x 4 loaf pan
- 9 x 5 loaf pan
- 8" round or square baking pan or dish
- 1-1 1/2 quart casserole dish - most types

Note: We recommend you fill loaf pans only half full.

Rotisserie Cooking

We recommend that you do not cook a roast larger than 5 lbs on the rotisserie skewer. Chicken should be bound in string to prevent the chicken legs or wings from unraveling during roasting and so that the rotisserie assembly will rotate smoothly.

Operation

1. Slide one of the rotisserie skewers onto the rotisserie spit so that the pointed end of the skewer faces the pointed end of the spit. Tighten the thumbscrew to secure the skewer in place. (Fig. 1)

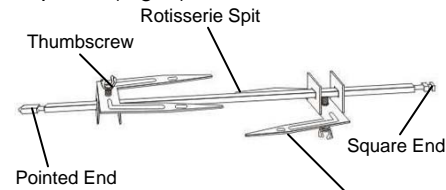


Fig. 1 Rotisserie Skewer

2. Insert the pointed end of the rotisserie spit into the center of the roast/poultry. Pushing the meat into the centre of the spit so that the rotisserie skewer penetrates the meat, securing it in place.
3. Slide the second rotisserie skewer onto the pointed end of the rotisserie spit. Press the skewer firmly into the roast. Tighten the thumbscrew in order to secure rotisserie skewer in place.
4. Make sure the roast/poultry is centered and tightly secured to the rotisserie spit.

Note: We recommend that poultry be bound with cooking or butcher's string to ensure that the rotisserie can turn easily.

5. Insert the pointed end of the rotisserie spit into the drive socket located on the right hand side of the oven wall. Make sure the square end of the rotisserie spit rests on the rotisserie spit support located on the left hand side of the oven wall.
6. Place the drip baking/drip pan above the lower heating elements to catch the food drippings.
7. Set temperature control to 450°F.
8. Turn the function control to "Rotisserie".
9. Turn the time control to "Stay On".
10. Use the rotisserie guide below **ONLY** for suggested roasting times. Check the roast/poultry with a reliable meat thermometer. Use an independent timer to remind you to check the meat temperature.
11. When cooking is complete, turn the time control to the "OFF" position.
12. Remove the rotisserie spit by placing the hooks of the rotisserie handle under the grooves on either side of the rotisserie spit. Lift the left side of the spit off the rotisserie spit support first by lifting it upwards. Then pull the right end of the rotisserie spit out of the drive socket and carefully remove the roast from the oven.
13. Remove the skewers and take the meat off of the rotisserie spit. Place the meat on a cutting board or serving platter.

MEAT	OVEN TEMP	TIME PER LB.
BEEF ROAST	325	30-35 min.
PORK ROAST	325	45-50 min.
HAM	325	45-50 min.
CHICKEN	350	30-40 min.
TURKEY	350	30-40 min.

Note: Always pre-heat your rotisserie convection oven at 450°F for 15 minutes before starting to cook. All roasting times are based on meats at refrigerator temperature. Frozen meats will take considerably longer. Therefore, use of a meat thermometer is highly recommended.

Broiling

The top heating elements cycle on and off to maintain maximum temperature in the oven. For best results, the oven should be preheated for 15 minutes at 450°F before adding the food to be broiled. During broiling, the baking/drip pan must be placed underneath the meat in order to catch the drippings.

Operation

1. Set temperature control to 450°F.
2. Turn function control to "Broil".
3. Preheat the oven for 15 minutes.
4. Slide the baking/drip pan into the oven using the rack guides.

- Note:** The rack guide you select will depend on the thickness of the meat that you wish to cook. The thicker the meat, the lower you will need to place the baking/drip pan and wire rack.
5. Place the food onto the wire rack.
 6. Brush food with sauces or oil as desired
 7. Slide the wire rack into the highest position possible. Food should be placed as close as possible to the top heating element without touching it.
 8. Set temperature control to the appropriate temperature
 9. Turn time control to the "Stay On" position.
 10. It is advisable to leave the door slightly ajar.
 11. When broiling is complete, turn the time control to "OFF" before removing the food.

Broiling Guide

Cooking results may vary, adjust these times to your individual requirements. Also, check often during broiling to avoid overcooking.

MEAT	OVEN TEMP	COOKING TIME
RIB STEAK	400	20-25 min.
T-BONE STEAK	400	20-25 min.
HAMBURGER	400	15-20 min.
PORK CHOPS	400	20-25 min.
LAMB CHOPS	400	20-25 min.
CHICKEN LEGS	400	30-35 min.
FISH FILETS	350	20-25 min.
SALMON STEAKS	350	20-25 min.

Roasting

Roast your favorite cut of meat to perfection. The oven can cook up to an 8-lb. chicken or turkey and up to a 6-lb. roast. A suggested roasting guide has been provided to assist you with roasting times. However, we suggest that you periodically check the cooking progress with a meat thermometer. For best results we recommend that you preheat the oven for 15 minutes on 450°F. We do **NOT** recommend the use of oven roasting bags or glass containers in the oven. **Never** use plastic, cardboard, paper or anything similar in the oven.

Operation

1. Place food to be cooked on the wire rack.
2. Place the baking/drip pan at the lowest position.
3. Set the temperature control to the desired temperature.
4. Turn the function control to bake.
5. Turn the time control to the "STAY ON" position.
6. To check or remove roast, always use oven mitts.
7. When cooking is complete, turn the time control to the "OFF" position.

Roasting Guide

Cooking results may vary, adjust these times to your individual requirements.

MEAT	OVEN TEMP	TIME PER LB.
BEEF ROAST	300-325	25-30 min.
PORK ROAST	325	40-45 min.
HAM	300-325	35-40 min.
CHICKEN	350	25-30 min.
TURKEY	350	25-30 min.

Note: Always pre-heat the rotisserie convection oven at 450°F for 15 minutes before starting to cook. All roasting times are based on meats at refrigerator temperature. Frozen meats may take considerably longer. Therefore, use of a meat thermometer is highly recommended.

Keep Warm

Keep cooked food warm for up to 30 minutes. Longer periods of time are not recommended as food will become dry or will spoil.

Operation

1. Set the temperature control to the 180°F.
2. Turn the function control to "Keep Warm".
3. Turn the time control to "Stay On" position.
4. Turn the time control to "OFF" position when finished with keep warm.

Caution: When sliding the oven rack out of oven, always support the rack. Do not let go until you are sure the rack is securely supported by the rack handle.

Toasting

Large capacity oven allows for toasting 4 to 6 slices of bread, 6 muffins, frozen waffles or frozen pancakes. When toasting only 1 or 2 items, place food on the wire rack in the center of the oven.

Operation

1. Set the temperature control to 450°F.
2. Turn the function control to "Toast".
3. Place food to be toasted on the wire rack.
4. Ensure that the crumb tray is in place.
5. Turn the time control to desired darkness. (Light to dark).
6. Bell will ring to signal the end of the toast cycle.

Note: Oven rack should be positioned in the middle of the oven with the indentations pointing down.

Suggested Toast Settings:

Light: 4 min.
Medium: 5 min.
Dark: 7 min.

Caution: When toasting, do not leave food in for longer periods of time other than what is listed above. Toasting for longer than recommended times will burn food.

Warning: Never leave oven unattended when toasting or top browning.

Pizza

Bake your favorite frozen pizzas in the toaster oven. **Never** use plastic, cardboard, paper or anything similar in the oven. Use the middle support guide to bake a 12-inch frozen pizza.

Operation

1. Preheat oven for 15 minutes on 450°F.
2. Turn the function control to "Convection Bake".
3. Set time control to "Stay On" position.
4. Then lower temperature according to baking instructions.
5. Place frozen pizza on the wire rack and begin baking.
6. When pizza is ready, turn the time control to "OFF" position.

Preparation & Cooking Time

Frozen Pizzas:

1. Cook for 5-8 minutes or as indicated on the package.
2. It is advisable to remove the pizza from the freezer 10 minutes before placing in the oven.
3. Place pizza on wire rack to bake.

Warning: Be sure to unplug the oven and allow it to cool before cleaning.

Oven Interior

- If desired, wipe the walls with a damp sponge, cloth or nylon scouring pad and mild detergent.
- Take extra care when cleaning near the upper and lower heating elements in order to avoid damaging them.
- **DO NOT USE STEEL WOOL SCOURING PADS, ABRASIVE CLEANERS OR SCRAPE THE WALLS WITH A METAL UTENSIL, AS ALL OF THESE METHODS MAY DAMAGE THE OVEN.**

Oven Exterior

- Clean the outside with a damp sponge.
- **DO NOT USE AN ABRASIVE CLEANER AS IT MAY DAMAGE THE EXTERIOR FINISH.**

Accessories

- All accessories can be washed in hot soapy water or can be cleaned in a dishwasher.
- **DO NOT USE AN ABRASIVE CLEANER OR STEEL WOOL SCOURING PAD ON THE BAKING/DRIP PAN AS IT MAY DAMAGE THE PORCELAIN ENAMEL FINISH.**

The Glass Door

- The door can be wiped with a damp sponge and wiped dry with a paper or cloth towel.

Drying

- **LET ALL PARTS AND SURFACES DRY THOROUGHLY PRIOR TO USE.**
- **ENSURE THAT ALL PARTS AND SURFACES ARE DRY BEFORE PLUGGING IN THE OVEN.**

Model
TO241R

EURO-PRO

ONE (1) YEAR LIMITED WARRANTY

EURO-PRO Operating LLC warrants this product to be free from defects in material and workmanship for a period of one (1) year from the date of the original purchase, when utilized for normal household use, subject to the following conditions, exclusions and exceptions.

If your appliance fails to operate properly while in use under normal household conditions within the warranty period, return the complete appliance and accessories. For Customer Service support, call 1 (800) 798-7398 or visit our website www.euro-pro.com.

If the appliance is found to be defective in material or workmanship, **EURO-PRO Operating LLC** will repair or replace it free of charge. Proof of purchase date and \$ 16.95 to cover the cost of return shipping and handling must be included. *

The liability of **EURO-PRO Operating LLC** is limited solely to the cost of the repair or replacement of the unit at our option. This warranty does not cover normal wear of parts and does not apply to any unit that has been tampered with or used for commercial purposes. This limited warranty does not cover damage caused by misuse, abuse, negligent handling or damage due to faulty packaging or mishandling in transit. This warranty does not cover damage or defects caused by or resulting from damages from shipping or repairs, service or alterations to the product or any of its parts, which have been performed by a repair person not authorized by **EURO-PRO Operating LLC**.

This warranty is extended to the original purchaser of the unit and excludes all other legal and/or conventional warranties. The responsibility of **EURO-PRO Operating LLC** if any, is limited to the specific obligations expressly assumed by it under the terms of the limited warranty. **In no event** is **EURO-PRO Operating LLC** liable for incidental or consequential damages of any nature whatsoever. Some states/provinces do not permit the exclusion or limitation of incidental or consequential damages, so the above may not apply to you.

This warranty gives you specific legal rights, and you may also have other rights which vary from state to state or province to province.

***Important:** Carefully pack item to avoid damage in shipping. Be sure to include proof of purchase date and to attach tag to item before packing with your name, complete address and phone number with a note giving purchase information, model number and what you believe is the problem with item. We recommend you insure the package (as damage in shipping is not covered by your warranty). Mark the outside of your package "ATTENTION CUSTOMER SERVICE". We are constantly striving to improve our products, therefore the specifications contained herein are subject to change without notice.



PRODUCT REGISTRATION CARD FOR CANADIAN CONSUMERS ONLY

Please complete and return within ten (10) days of purchase. The registration will enable us to contact you in the event a product defect is discovered. By returning this card you acknowledge to have read and understood the instructions for use, and warnings set forth in the accompanying instructions.

RETURN TO: **EURO-PRO Operating LLC**, 4400 Bois Franc, St. Laurent, Quebec H4S 1A7

TO241R

Appliance Model

Date of Purchase

Name of store

Owner's name

Address

City

Prov.

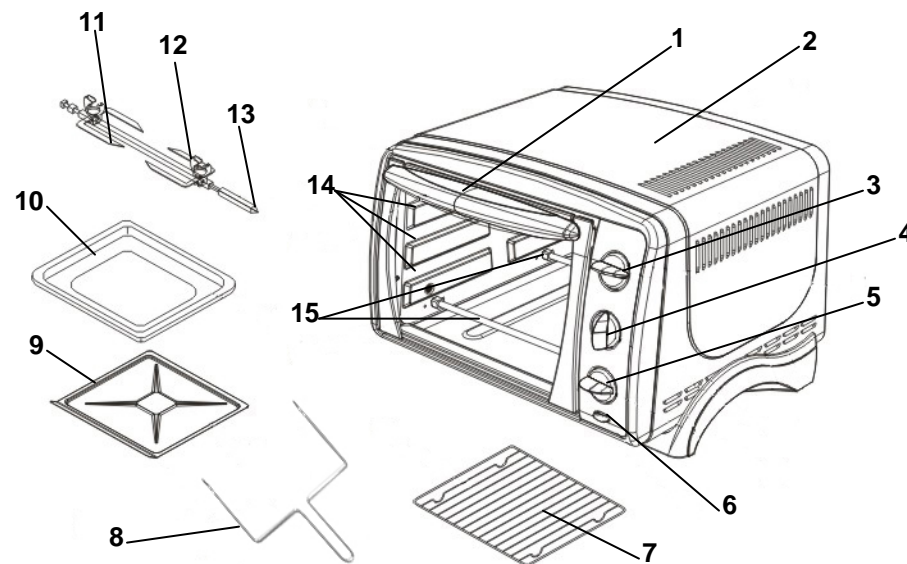
Postal Code

INSTRUCCIONES IMPORTANTES DE SEGURIDAD

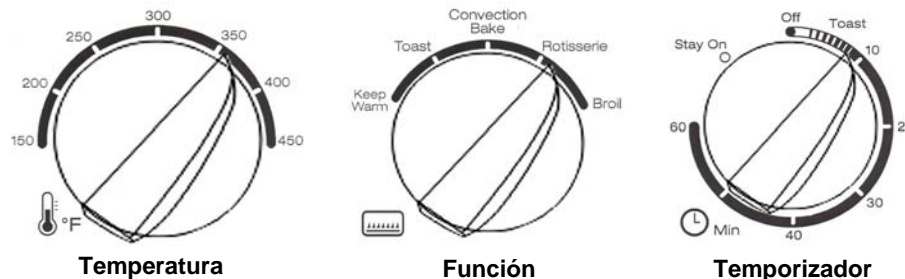
Al usar su **Horno a Convección y Rostizador**, siempre debe seguir precauciones básicas de seguridad, incluyendo las siguientes:

1. Lea todas las instrucciones antes de utilizar su **Horno a Convección y Rostizador**.
 2. No toque las superficies calientes. Utilice siempre las asas o perillas.
 3. Tenga mucho cuidado al utilizar cualquier aparato eléctrico cerca de niños.
 4. Para evitar una descarga eléctrica, no sumerja el cable, el enchufe o el horno en agua o cualquier otro líquido.
 5. No permita que el cable cuelgue sobre el borde de la mesa o mesada, o que toque superficies calientes.
 6. No utilice ningún artefacto si el cable o el enchufe están dañados o luego de una falla, o si ha sufrido cualquier tipo de daño. Retórnela a **EURO-PRO Operating LLC** para que sea examinada, reparada o ajustada.
 7. El uso de accesorios no recomendados por el fabricante puede ocasionar peligros o daños.
 8. No lo coloque sobre o cerca de un quemador a gas o eléctrico.
 9. Al utilizar el horno, mantenga por lo menos cuatro pulgadas de espacio libre en todos los costados del horno para permitir la circulación adecuada del aire.
 10. Desenchúfelo del tomacorriente cuando no lo utilice y antes de limpiarlo. Deje que se enfríe antes de ponerle o quitarle partes, y antes de limpiarlo.
 11. Para desconectarlo, gire el control de tiempo a OFF, luego desenchúfelo. Siempre sostenga el enchufe, nunca jale del cable.
 12. Debe tener mucho cuidado al mover una bandeja que contenga aceite u otros líquidos calientes.
 13. **No** cubra la bandeja de las migas o cualquier otra parte del horno con papel metálico. Esto puede hacer que el horno se recaliente.
 14. Tenga mucho cuidado al remover la bandeja, los estantes o al desechar grasa caliente o cualquier otro líquido caliente.
 15. **No** limpie el interior del horno con almohadillas metálicas. Algunas partes pueden romper la almohadilla y hacer que toque partes eléctricas, creando un riesgo de descarga eléctrica.
 16. No debe introducir alimentos demasiado grandes o utensilios de metal dentro del horno ya que podrían originar un incendio o el riesgo de una descarga eléctrica.
 17. Se podría originar un incendio si el horno está tocando materiales inflamables, incluyendo cortinados, ropas, paredes u otros similares mientras está funcionando. **No** coloque nada en el horno cuando esté encendido.
 18. Debe tener mucho cuidado al utilizar recipientes para cocinar u hornear de cualquier otro material que no sea metal o vidrio apto para horno.
 19. Asegúrese de que nada entre en contacto con los elementos superiores e inferiores del horno.
 20. **No** coloque ninguno de los siguientes materiales en el horno: cartón, plástico, papel o similares.
 21. **No** guarde ningún material que no sea los accesorios recomendados por el fabricante en el horno cuando no lo use.
 22. Este artefacto está **APAGADO** cuando la perilla del Control de Tiempo está en la posición "OFF".
 23. Use siempre guantes protectores, aislantes para horno al colocar o remover objetos calientes del horno.
 24. Este artefacto tiene una puerta de vidrio templado de seguridad. Este vidrio es más fuerte que el vidrio común y más resistente a las roturas. Sin embargo, puede llegar a romperse en los bordes. Evite rayar la superficie de la puerta o golpear sus bordes.
 25. **No** lo utilice en el exterior.
 26. **No** utilice el artefacto para ningún otro uso distinto al indicado.
- Nota: Esta unidad tiene un cable de alimentación corto para reducir el riesgo de enredarse o tropezarse con un cable más largo. Un cable de extensión puede utilizarse con cuidado:
1. La capacidad eléctrica del cable de extensión debe ser por lo menos igual al consumo del artefacto.
 2. No debe permitir que el cable de extensión cuelgue de la mesada o mesa de tal forma que pueda ser jalado por niños o causar que alguien se tropiece.

Partes De Su Horno A Convección Y Rostizador



- | | |
|--------------------------------------|--------------------------------------------|
| 1. Manija de la Puerta | 9. Bandeja para las Migas |
| 2. Gabinete | 10. Bandeja |
| 3. Perilla de Control de Temperatura | 11. Brocheta (x2) |
| 4. Perilla de Control de Función | 12. Tornillo de Ajuste de la Brocheta (x2) |
| 5. Perilla de Control de Tiempo | 13. Barra del Rostizador |
| 6. Luz de Encendido | 14. Guías para Estantes |
| 7. Estante de Alambre (x2) | 15. Elemento Calefactor Inferior |
| 8. Mango del Rostizador | |



Especificaciones Técnicas

Voltaje: 120V., 60Hz.
Potencia: 1500 Vatios

* El dibujo puede no ser igual al producto real.

CONSERVE ESTAS INSTRUCCIONES Para Uso Doméstico Solamente

ADVERTENCIA: Para reducir el riesgo de una descarga eléctrica, este artefacto posee un enchufe polarizado (una pata es más ancha que la otra). Este enchufe entra completamente en un tomacorriente polarizado en una sola posición. De no ser así, invértalo, y si aún así no entra completamente, llame a un electricista calificado para que instale un tomacorriente apropiado. No intente modificar el enchufe de ninguna manera.

Antes de Utilizar su Horno Convección y Rostizador

Lea todas las secciones de este manual y siga todas las instrucciones cuidadosamente.

1. Lea todas las instrucciones de este manual.
2. Verifique que el horno esté desenchufado y que el control de tiempo esté en la posición "OFF".
3. Lave todos los accesorios con agua caliente jabonosa o en el lava vajillas. También saque las brochetas y la barra del rostizador de la caja. Lávelos con agua caliente y jabón teniendo cuidado con los bordes filosos y las puntas de las brochetas.
4. Seque completamente todos los accesorios y vuelva a colocarlos en el horno de acuerdo a sus necesidades. Enchúfelo y ya está listo para usar su nuevo Horno a Convección y Rostizador.
5. Luego de armar su horno, le recomendamos hacerlo funcionar a la temperatura más alta (450° F) en el modo tostador por unos 15 minutos para eliminar cualquier resto de material de empaque que haya podido quedar. Esto también quitará cualquier olor que pudiera estar presente al principio.

Observaciones: La primera operación puede generar un poco de olor y humo (unos 15 minutos). Esto es normal e inofensivo. Es originado por el quemado de la sustancia protectora que se coloca sobre los elementos calefactores al fabricarlos.

Advertencia: PARA EVITAR EL RIESGO DE HERIDAS O QUEMADURAS, NO TOQUE LAS SUPERFICIES CALIENTES CUANDO EL HORNO ESTÉ ENCENDIDO. USE SIEMPRE GUANTES PARA HORNO.

Advertencia: Tenga siempre mucho cuidado al quitar el rostizador, la bandeja de cocción, la bandeja colectora, el estante de alambre o cualquier otro recipiente del horno caliente. Use siempre el mango del rostizador o agarraderas para horno al sacar estas partes.

Advertencia: No deje el horno desatendido mientras lo use.

Usando su Horno Convección y Rostizador

Debe familiarizarse con las siguientes funciones y accesorios del horno antes de usarlo:

- **Control de Temperatura** – Elija la temperatura deseada desde 150°F hasta 450°F para hornear o rostizar.
- **Control de Función** – Este horno viene con cinco posiciones para cubrir todas las necesidades de cocción:
 - **Keep Warm** – Para mantener la comida cocida caliente hasta 30 minutos.
 - **Toast** – Pan, muffins, waffles congelados, etc.
 - **Convection Bake** – Tortas, pasteles, galletas, aves, carne, cerdo, etc.
 - **Rotisserie** – Puede cocinar hasta 5 libras de carne o pollo.
 - **Broil** – Para asar pescado, bifés, aves, chuletas de cerdo, etc.
- **Control de Tiempo** – Cuando gira el control hacia la izquierda (sentido contra horario) de la posición "Stay On", el horno permanecerá encendido hasta que lo apague manualmente. Para activar el temporizador, gírelo hacia la derecha (sentido horario) para tostar o para usarlo como temporizador. Esta función también tiene una campana que suena (hace 'ding') al terminar el tiempo programado.
- **Ventilador de Convección** – El ventilador de convección funciona automáticamente en la función "Bake".
- **Luz de Encendido** – Se ilumina siempre que el horno esté en funcionamiento.
- **Bandeja de Alambre** – para tostar, hornear y cocinar en general platos en fuentes de horno y ollas comunes.
- **Bandeja para Hornear/Colectora** - Para cocinar carnes, aves, pescado y otras comidas.
- **Barra del Rostizador** – Rostiza varios tipos de carne y aves dejándolas tiernas y jugosas en su interior y doradas a la perfección en su exterior
- **Mango del Rostizador** – Para sacar la barra del rostizador al terminar de cocinar.

Antes de Utilizar su Horno Convección/Rostizador

1. Lave todos los accesorios con agua caliente jabonosa o en el lava vajillas.
2. Seque completamente todos los accesorios y vuelva a colocarlos en el horno. Enchúfelo en un tomacorriente y estará listo para usar su horno.
3. Luego de armar su horno, le recomendamos hacerlo funcionar a la temperatura más alta (450°F) en el modo "Toast" por unos 15 minutos para eliminar cualquier resto de material de empaque que haya podido quedar. Esto también quitará cualquier olor que pudiera estar presente al principio.

Observaciones: La primera operación puede generar un poco de olor y humo (unos 15 minutos). Esto es normal e inofensivo. Es originado por el quemado de la sustancia protectora que se coloca sobre los elementos calefactores al fabricarlos.

Cocción con Convección

La cocción con convección combina el movimiento de aire caliente mediante un ventilador con la función "Bake" de su horno. En muchos casos, la cocción con convección proporciona una cocción más rápida que la de hornos convencionales a radiación. El ventilador envía aire a toda la superficie de los alimentos, dejándolos rápidamente dorados, crocantes y atrapando la humedad y el sabor. Produce una temperatura más pareja alrededor de toda la comida debido al movimiento del aire, de modo que los alimentos se cocinan/hornean más parejo comparado con las zonas calientes y frías de los hornos comunes. La función de convección permite asar/hornear a temperaturas más bajas, lo que ahorra energía y ayuda a mantener más fría la cocina. El aire de convección es sobrecalentado y circula alrededor de los alimentos, por lo tanto cocina los alimentos significativamente más rápido que el horno convencional.

Horneado con Convección

El horneado con convección es muy consistente y parejo. El ventilador hace circular el aire caliente alrededor de los alimentos haciendo que se eleven rápidamente y de forma pareja. Hornee sus galletas favoritas, tortas, pasteles, brownies, etc. Puede colocar recipientes de hasta 9 pulgadas de largo en su horno. No le recomendamos utilizar bolsas para hornear o recipientes de vidrio en su horno. **Nunca** utilice plástico, cartón, papel o algo similar en el horno.

Operación

1. Coloque el estante de alambre en la posición más baja o en el medio, dependiendo de la altura de la bandeja o de las indicaciones de la receta.
2. Precaliente el horno como lo indique la receta, normalmente 15 minutos.
3. Coloque la bandeja con los elementos a hornear en el estante de alambre.
4. Gire el control de funciones a "Bake".
5. Gire el control de tiempo a la posición "Stay On".
6. Una vez que haya terminado de cocinar, gire el control de tiempo a "OFF".

Ubicación del Estante

Galletas – Use la posición más baja y la del medio.

Pasteles de Capas - Use la posición más baja únicamente (hornee una por vez).

Tortas – Use la posición más baja o la del medio.

Horneado de Galletas

Para hornear galletas, le recomendamos ajustar la temperatura del horno y colocar una bandeja para galletas (no incluida) sobre el estante de alambre. También, es conveniente utilizar papel manteca sobre la bandeja al hornear ciertos tipos de galletas.

1. Deslice el estante de alambre en la guía más baja o la del medio, dependiendo de la receta.
2. Precaliente el horno durante 15 minutos, luego coloque bandejas de galletas sobre el estante de alambre para comenzar a hornearlas.
3. Use papel manteca sobre la bandeja para que no se peguen las galletas.
4. Las bandejas de galletas, tiempos de cocción y temperatura pueden variar al utilizar otros materiales de horneado.

Guía de Horneado

Siga las instrucciones del paquete o la receta con respecto al tiempo y temperatura de horneado.

Tamaños de Fuentes Recomendados

Los siguientes tamaños recomendados de fuentes entrarán en su Horno a Convección. Para asegurarse de que la fuente entrará en el horno, colóquela en el horno antes de preparar la receta.

- Bandeja para muffins de 6 unidades
- Bandeja de 8 x 4
- Bandeja de 9 x 5
- Plato o bandeja redonda o cuadrada de 8"
- Cacerola de 1-1½ litros – casi todas

Nota: Le recomendamos llenar las bandejas sólo hasta la mitad.

Rostizador

No le recomendamos cocinar o rostizar más de 5 libras en la brocheta del rostizador. El pollo debe atarse con hilo para evitar que las patas o las alas se traben al rostizarlo y permitir que el sistema rostizador gire correctamente.

Operación

1. Deslice una de las brochetas dentro de la barra del rostizador de modo que el extremo con punta de la brocheta apunte hacia el extremo con punta de la barra. Ajuste el tornillo manual para asegurarlo en su lugar. (Fig. 1)

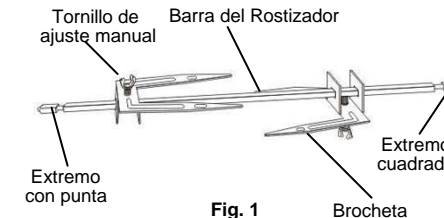


Fig. 1

2. Inserte el extremo con punta de la barra rostizadora en el centro de la carne a rostizar. Colóquelo en su lugar, empujando la carne hacia el centro de la barra rostizadora.
3. Deslice la segunda brocheta dentro del extremo con punta de la barra rostizadora. Presione firmemente la brocheta dentro de la carne. Ajuste el tornillo manual para asegurarla en su lugar.
4. Verifique que la carne quede centrada y bien ajustada a la barra rostizadora.
5. Inserte el extremo con punta de la barra rostizadora en el soporte del lado derecho en el interior del horno.

Nota: Le recomendamos atar la carne con hilo de cocina para asegurar que pueda girar fácilmente.

6. Coloque la bandeja colectora sobre el elemento calefactor inferior para atrapar la grasa que pudiera gotear.
7. Ajuste el control de temperatura a 450°F.
8. Gire el control de funciones a "Rotisserie".
9. Gire el control de tiempo a la posición "Stay On".
10. Use la guía siguiente **ÚNICAMENTE** como sugerencia para los tiempos de cocción. Verifique la cocción con un termómetro para carne de buena calidad. Use un temporizador independiente para recordarle que debe verificar la temperatura de la carne.
11. Una vez que haya terminado de cocinar, gire el control de tiempo a "OFF".
12. Saque la barra rostizadora colocando los ganchos del mango del rostizador debajo de las muescas en ambos lados de la barra. Levante primero hacia arriba el lado izquierdo de la barra fuera del soporte. Luego saque la barra rostizadora del soporte impulsor y retírela del horno cuidadosamente.
13. Quite las brochetas y saque la carne de la barra rostizadora. Coloque la carne sobre una tabla para cortar o en un plato para servir.

CARNE	TEMPERATURA DEL HORNO	TIEMPO POR LIBRA
ASADO DE RES	325	30-35 min.
ASADO DE CERDO	325	45-50 min.
JAMÓN	325	45-50 min.
POLLO	350	30-40 min.
PAVO	350	30-40 min.

Nota: Precaliente siempre el horno a 450°F durante 15 minutos antes de empezar a cocinar. Todos los tiempos de rostizado están basados en las carnes a temperaturas de heladera. Las carnes congeladas tardarán mucho más. Por lo tanto, le recomendamos usar un termómetro para carnes.

Parrilla

El elemento calefactor superior se enciende y apaga para mantener la temperatura máxima del horno. Par obtener mejores resultados, debe precalentar el horno por 15 minutos a 450°F antes de agregarle los alimentos a asar. Al utilizar la parrilla, deberá colocar la bandeja de cocción/colectora debajo de la carne para que acumule las gotas.

Operación

1. Ajuste el control de temperatura a 450°F.
2. Gire el control de funciones a "Broil".
3. Precaliente el horno durante 15 minutos.
4. Coloque la bandeja de cocción/colectora en el horno usando las guías.

Nota: Las guías que utilice dependerán del grosor de la carne que desee cocinar. Cuanto más gruesa la carne, más abajo deberá colocar la bandeja y el estante de alambre.

5. Ponga la comida sobre el estante de alambre.
6. Recubra los alimentos con salsas o aceite si lo desea.
7. Coloque el estante de alambre en la posición más alta que pueda. Los alimentos deben colocarse lo más cerca posible del elemento calefactor superior sin llegar a tocarlo.
8. Ajuste el control de temperatura como lo desee.
9. Gire el control de tiempo a la posición "Stay On".
10. Le recomendamos dejar la puerta levemente abierta.
11. Una vez que haya terminado de cocinar, gire el control de tiempo a "OFF" antes de quitar la comida.

Guía de Parrilla

Los resultados pueden variar, ajuste estos tiempos de acuerdo con sus necesidades individuales. También, verifique los alimentos seguido durante el asado para evitar que se asen de más.

CARNE	TEMPERATURA DEL HORNO	TIEMPO DE COCCIÓN
BIFE DE COSTILLA	400	20-25 min.
CHULETA	400	20-25 min.
HAMBURGUESAS	400	15-20 min.
CHULETAS DE CERDO	400	20-25 min.
CORDERO	400	20-25 min.
PATAS DE POLLO	400	30-35 min.
FILETE DE PESCADO	350	20-25 min.
BIFES DE SALMÓN	350	20-25 min.

Asado

Ase su corte favorito de carne a la perfección. El horno puede cocinar un pollo o pavo de hasta 8 libras y hasta 6 libras de carne. Se incluye una guía para ayudarle con los tiempos de cocción. Sin embargo, le sugerimos verificar periódicamente el progreso en la cocción con un termómetro para carne. Para obtener mejores resultados le recomendamos precalentar el horno por 15 minutos a 450°F. **No** le recomendamos utilizar bolsas para hornear o recipientes de vidrio en su horno. **Nunca** utilice plástico, cartón, papel o algo similar en el horno.

Operación

1. Coloque los alimentos a cocinar en el estante de alambre.
2. Coloque la bandeja de cocción/colectora en la posición mas baja.
3. Ajuste el control de temperatura como lo desee.
4. Gire el control de funciones a "Bake".
5. Gire el control de tiempo a la posición "Stay On".
6. Para verificar o quitar la tostada, use siempre agarraderas para horno.
7. Una vez que haya terminado de cocinar, gire el control de tiempo a "OFF".

Guía para Asar

Los resultados pueden variar, ajuste estos tiempos de acuerdo con sus necesidades individuales.

CARNE	TEMPERATURA DEL HORNO	TIEMPO POR LIBRA
ASADO DE RES	300-325	25-30 min.
ASADO DE CERDO	325	40-45 min.
JAMÓN	300-325	35-40 min.
POLLO	350	25-30 min.
PAVO	350	25-30 min.

Nota: Precaliente siempre el horno a 450°F durante 15 minutos antes de empezar a cocinar. Todos los tiempos de rostizado están basados en las carnes a temperaturas de heladera. Las carnes congeladas pueden tardar mucho más. Por lo tanto, le recomendamos usar un termómetro para carnes.

Mantener Caliente

Mantiene la comida cocida caliente por hasta 30 minutos. No se recomiendan períodos más largos ya que la comida se secará o arruinará.

Operación

1. Ajuste el control de temperatura a 180°F.
2. Gire el Control de Funciones a "Keep Warm" (Mantener Caliente).
3. Gire el control de tiempo a la posición "Stay On".
4. Gire el Control de Tiempo a la posición "Off" (apagado) cuando termine de usar la función "Keep Warm".

Advertencia: Al deslizar las bandejas hacia afuera del horno, sostenga siempre el estante. **No lo suelte hasta que esté seguro de que el estante esté sostenido adecuadamente por el mango de la bandeja.**

Tostador

La gran capacidad del horno permite tostar de 4 a 6 rodajas de pan, 6 muffins, waffles o crepés congelados. Al tostar solo 1 o 2 artículos, colóquelos en el estante de alambre en el centro del horno.

Operación

1. Ajuste el control de temperatura a 450°F.
2. Gire el control de funciones a "Toast".
3. Coloque los alimentos a tostar en el estante de alambre.
4. Verifique que la bandeja para las migas esté en su lugar.
5. Gire el control de tiempo al tostado deseado. (Ligero u Oscuro).
6. Sonará una campana para indicarle la finalización del ciclo de tostado.

Nota: El estante de alambre debe colocarse en el medio del horno con las hendiduras apuntando hacia abajo.

Tiempos Sugeridos de Tostado:

Ligero: 4 min.
Mediano: 5 min.
Oscuro: 7 min.

Advertencia: Al tostar, no deje los alimentos en el horno por tiempos mayores a los indicados más arriba. El tostarlos por tiempos mayores a los recomendados los quemará.

Advertencia: Nunca deje el horno desatendido mientras esté funcionando.

Pizza

Cocine su pizza congelada preferida en el horno tostador. **Nunca** utilice plástico, cartón, papel o algo similar en el horno. Utilice la guía de soporte central para cocinar una pizza congelada de 12 pulgadas.

Operación

1. Precaliente el horno durante 15 minutos a 450°F.
2. Gire el control de funciones a "Convection Bake".
3. Gire el control de tiempo a la posición "Stay ON".
4. Baje la temperatura de acuerdo con las instrucciones de la receta.
5. Coloque la pizza congelada en el estante de alambre y comience a cocinar.
6. Una vez que haya terminado de cocinar, gire el control de tiempo a "OFF".

Preparación y Tiempo de Cocción

Pizzas Congeladas:

1. Cocine durante 5-8 minutos o como se indique en el paquete.
2. Es recomendable sacar la pizza del congelador 10 minutos antes de ponerla en el horno.
3. Coloque la pizza en la bandeja de alambre para cocinarla.

Cuidado y Limpieza

Advertencia: Asegúrese de desenchufar el horno y dejarlo enfriar antes de limpiarlo.

Interior del horno

- Si lo desea, repase las paredes con una esponja húmeda, trapo o almohadilla de nylon y con un detergente suave.
- Tenga mucho cuidado al limpiar cerca de los elementos calefactores superior e inferior para no dañarlos.
- **NO UTILICE ALMOHADILLAS DE LANA DE ACERO, LIMPIADORES ABRASIVOS O RASPE LAS PAREDES CON UTENSILIOS METÁLICOS, YA QUE TODOS ESTOS MÉTODOS PUEDEN DAÑAR EL HORNO.**

Exterior del horno

- Limpie el exterior con una esponja húmeda.
- **NO UTILICE UN LIMPIADOR ABRASIVO YA QUE PUEDE DAÑAR LA TERMINACIÓN EXTERNA.**

Accesorios

- Todos los accesorios pueden lavarse con agua caliente jabonosa o pueden lavarse en el lavavajillas.
- **NO UTILICÉ LIMPIADORES ABRASIVOS O ALMOHADILLAS DE LANA DE ACERO PARA LIMPIAR LA BANDEJA DE COCCIÓN/COLECTORA YA QUE PUEDEN DAÑAR LA TERMINACIÓN DE ESMALTE DE PORCELANA.**

La puerta de vidrio

- La puerta puede repasarse con una esponja húmeda y secarse con una toalla de papel o de tela.

Secado

- **DEJE QUE TODAS LAS PARTES Y SUPERFICIES SE SEQUEN COMPLETAMENTE ANTES DE USARLO.**
- **VERIFIQUE QUE TODAS LAS PARTES Y SUPERFICIES ESTÉN SECAS ANTES DE ENCHUFAR EL HORNO.**

Modelo
TO241R

EURO-PRO X

GARANTÍA LIMITADA DE UN (1) AÑO

EURO-PRO Operating LLC garantiza este producto contra defectos de materiales y mano de obra por un término de un (1) año a partir de la fecha de compra original, siempre que sea utilizado para uso doméstico normal, sujeto a las siguientes condiciones, exclusiones y excepciones.

Si su artefacto no funciona correctamente al utilizarlo bajo condiciones domésticas normales dentro del período de garantía, devuelva el artefacto completo y los accesorios. Por servicio al cliente, llame al 1 (800) 798-7398 o visite nuestro sitio Web www.euro-pro.com.

Si el artefacto presenta un defecto de materiales o mano de obra, **EURO-PRO Operating LLC** lo reparará o reemplazará sin cargo. El envío debe incluir un comprobante de la fecha de compra y \$16,95 para cubrir los gastos de envío. *

La responsabilidad de **EURO-PRO Operating LLC** se limita únicamente al costo de reparación o reemplazo de la unidad, a nuestro criterio. Esta garantía no cubre el desgaste normal de las partes y no cubre ninguna unidad que haya sido alterada o utilizada con fines comerciales. Esta garantía limitada no cubre daños ocasionados por uso inadecuado, abuso, negligencia o daños causados por embalaje inapropiado o maltrato durante el transporte. Esta garantía no cubre daños o defectos causados o resultantes durante el transporte para su reparación o alteraciones del producto o cualquiera de sus partes, realizadas por una persona no autorizada por **EURO-PRO Operating LLC**.

Esta garantía es válida para el comprador original del producto y excluye cualquier otra garantía legal y/o convencional. La responsabilidad de **EURO-PRO Operating LLC**, de existir, se limita a las obligaciones específicas asumidas expresamente bajo los términos de esta garantía limitada. Bajo ninguna circunstancia **EURO-PRO Operating LLC** será responsable por daños incidentales o indirectos de ninguna clase. Algunos estados/provincias no permiten la exclusión o limitación de daños consiguientes o incidentales, por lo tanto lo anterior puede no ser válido para usted. Esta garantía le otorga derechos legales específicos, y usted puede también tener otros derechos los que varían de estado a estado o de provincia a provincia.

***Importante:** Embale el producto cuidadosamente para evitar daños durante el transporte. Asegúrese de incluir un comprobante de la fecha de compra y de colocarle una etiqueta al producto con su nombre, dirección completa y número de teléfono, una nota proporcionando información de la compra, número de modelo y una descripción del problema. Le recomendamos asegurar el paquete (puesto que la garantía no cubre daños de envío). Escriba en el exterior del paquete "ATTENTION CUSTOMER SERVICE". Nosotros nos esforzamos constantemente en mejorar nuestros productos, por lo tanto las especificaciones aquí indicadas pueden cambiar sin previo aviso.



TARJETA DE REGISTRO DEL PRODUCTO SÓLO PARA CONSUMIDORES CANADIENSES

Por favor, complete y envíe dentro de los diez (10) días de compra. Este registro nos permitirá ponernos en contacto con usted en el caso de que descubramos un defecto en el producto. Retornando esta tarjeta usted reconoce haber leído y entendido las instrucciones de uso y advertencias incluidas en estas instrucciones.

ENVIAR A: **EURO-PRO Operating LLC**, 4400 Bois Franc, St. Laurent, Quebec H4S 1A7

TO241R

Modelo del Artefacto

Fecha de Compra Nombre del Comercio

Nombre del Dueño

Domicilio

Ciudad

Provincia

Código Postal

Free Manuals Download Website

<http://myh66.com>

<http://usermanuals.us>

<http://www.somanuals.com>

<http://www.4manuals.cc>

<http://www.manual-lib.com>

<http://www.404manual.com>

<http://www.luxmanual.com>

<http://aubethermostatmanual.com>

Golf course search by state

<http://golfingnear.com>

Email search by domain

<http://emailbydomain.com>

Auto manuals search

<http://auto.somanuals.com>

TV manuals search

<http://tv.somanuals.com>