

Model CW240



### ONE (1) YEAR LIMITED WARRANTY

**EURO-PRO OPERATING LLC** warrants this product to be free from defects in material and workmanship for a period of one (1) year from the date of the original purchase, when utilized for normal household use, subject to the following conditions, exclusions and exceptions.

If your appliance fails to operate properly while in use under normal household conditions within the warranty period, return the complete appliance and accessories, freight prepaid to **EURO-PRO Operating LLC**, 21 Lawrence Paquette Industrial Drive, Champlain, NY 12919. If the appliance is found by **EURO-PRO Operating LLC** to be defective in material or workmanship, **EURO-PRO Operating LLC** will repair or replace it free of charge. Proof of purchase date and \$ 19.95 to cover the cost of return shipping and handling must be included.\*

Non-durable parts including, without limitation, filters, brushes and electrical parts which normally require replacement are specifically excluded from warranty.

The liability of **EURO-PRO Operating LLC** is limited solely to the cost of the repair or replacement of the unit at our option. This warranty does not cover normal wear of parts and does not apply to any unit that has been tampered with or used for commercial purposes. This limited warranty does not cover damage caused by misuse, abuse, negligent handling or damage due to faulty packaging or mishandling in transit. This warranty does not cover damage or defects caused by or resulting from damages from shipping or repairs, service or alterations to the product or any of its parts, which have been performed by a repair person not authorized by **EURO-PRO Operating LLC**.

This warranty is extended to the original purchaser of the unit and excludes all other legal and/or conventional warranties. The responsibility of **EURO-PRO Operating LLC** if any, is limited to the specific obligations expressly assumed by it under the terms of the limited warranty. **In no event is EURO-PRO Operating LLC** liable for incidental or consequential damages of any nature whatsoever. Some states do not permit the exclusion or limitation of incidental or consequential damages, so the above may not apply to you.

This warranty gives you specific legal rights, and you may also have other rights which vary from state to state.

**\*Important:** Carefully pack item to avoid damage in shipping. Be sure to include proof of purchase date and to attach tag to item before packing with your name, complete address and phone number with a note giving purchase information, model number and what you believe is the problem with item. We recommend you insure the package (as damage in shipping is not covered by your warranty). Mark the outside of your package "ATTENTION CUSTOMER SERVICE". We are constantly striving to improve our products, therefore the specifications contained herein are subject to change without notice.



### OWNERSHIP REGISTRATION CARD

Please fill out and mail the product registration card within ten (10) days of purchase in order to validate the foregoing Limited Warranty. The registration will enable us to contact you in the unlikely event of a product safety notification. By returning this card you acknowledge to have read and understood the instructions for use, and warnings set forth in the accompanying instructions.

RETURN TO: **EURO-PRO OPERATING LLC**, 21 Lawrence Paquette Ind. Dr., Champlain, NY 12919

**Model CW240**

Appliance model

Date purchased Name of store

Owner's name

Address City State Zip code

Printed in China



## Bagless Water Filtration Vacuum Cleaner

### OWNER'S MANUAL

Model CW240  
120V., 60Hz., 9.2 Amps



For information or assistance:

**USA: EURO-PRO Operating LLC**  
21 Lawrence Paquette Industrial Drive  
Champlain, NY 12919  
Tel.: 1-866-98SHARK  
(1-866-987-4275)  
www.sharkvac.com



# IMPORTANT SAFETY INSTRUCTIONS

When using your **Bagless Water Filtration Vacuum**, basic safety precautions should always be observed, including the following:

1. Read all instructions before using your vacuum.
2. Use the system only for its intended use.
3. To protect against a risk of electric shock, do not immerse any part of the system in water or other liquids.
4. Never yank cord to disconnect from outlet; instead, grasp plug and pull to disconnect.
5. **Do not** allow cord to touch hot surfaces.
6. **Do not** run appliance over cord.
7. **Do not** operate the system with a damaged cord or plug, or if the appliance or any other part of the system has been dropped or damaged. To avoid the risk of electric shock, do not disassemble or attempt to repair the vacuum. Return the system to **EURO-PRO Operating LLC** (see warranty) examination and repair. Incorrect re-assembly or repair can cause a risk of electrical shock or injury to persons when the vacuum is used.
8. Close supervision is necessary for any appliance being used by or near children. Do not leave the system unattended while connected.
9. Keep hair, loose clothing, fingers and all parts of body away from opening and moving parts.
10. **Do not use to pick up flammable or combustible liquids such as gasoline or use in areas where they may be present.**
11. **Do not** pick up anything that is burning or smoking such as cigarettes, matches or hot ashes.
12. Use extra care when cleaning on stairs.
13. This appliance is intended only for household use. Follow all user instructions in this manual.
14. This unit should not be used to pick up liquids from containers, sinks, tubs, etc.
15. **Do not** use on uneven surfaces. **Do not** tip/tilt unit over when in use.

## To reduce the risk of fire, electric shock, or injury:

- **Do not** leave the vacuum plugged in when unattended. Unplug the electrical cord when not in use and before servicing.
- **Do not** allow to be used as a toy. Close attention is necessary when used by or near children, pets or plants.
- Use only as described in this manual. Use only manufacturer's recommended accessories.
- **Do not** pull cord, use cord as a handle, close a door on cord, or pull cord around sharp edges or corners.
- **Do not** run unit over power cord. Keep cord away from heated surfaces.
- Use **only** extension cords UL-rated or cUL at 15 amperes. extension cords rated for less amperage may overheat. Care should be taken to arrange the cord so that the cord cannot be pulled or tripped over.
- Turn off all controls as applicable before unplugging from electrical outlet.
- **Do not** unplug by pulling on cord. To unplug, grasp the plug, not the cord.
- **Do not** handle plug or vacuum with wet hands or operate without shoes.
- **Do not** put any objects into openings. Do not use with any opening blocked. Keep free of dust, lint, hair and anything else that may reduce air flow.
- Store your appliance indoors in a cool, dry area.
- Keep your work area well lit.
- **Do not** immerse the vacuum into water or other liquids.
- Keep end of hose, wands and other openings away from your face and body.
- Using improper voltage may result in damage to the motor and possible injury to the user. Correct voltage is listed on rating label.

## SAVE THESE INSTRUCTIONS For Household Use Only

**WARNING:** This appliance is equipped with a grounded-type 3-wire cord (3-prong plug). This plug will only fit into an electrical outlet made for a 3-prong plug. This is a safety feature. If the plug should fail to fit the outlet, contact an electrician to replace the outlet. Do not attempt to defeat the safety purpose of the grounding pin, part of the 3-prong plug.

## TROUBLE SHOOTING GUIDE

PROBLEM	POSSIBLE REASON	POSSIBLE SOLUTION
VACUUM WILL NOT OPERATE	<ol style="list-style-type: none"> <li>1. Power cord not firmly plugged into outlet.</li> <li>2. No power in wall outlet.</li> <li>3. Needs servicing.</li> <li>4. Thermostat has tripped.</li> </ol>	<ol style="list-style-type: none"> <li>1. Plug unit in firmly.</li> <li>2. Check fuse or breaker. Replace fuse/reset breaker. Call 1-800-798-7398.</li> <li>3. Turn the unit off and unplug from outlet. Allow unit to cool down, then Restart.</li> </ol>
VACUUM WILL NOT PICK-UP OR SUCTION POWER IS WEAK	<ol style="list-style-type: none"> <li>1. Water tank is full.</li> <li>2. Unit clogged.</li> <li>3. Flexible Hose / Extension Tube clogged</li> </ol>	<ol style="list-style-type: none"> <li>1. Empty water tank– (see page 4).</li> <li>2. Turn unit off and unplug from wall outlet. Check for object(s) in air duct and remove.</li> <li>3. Turn unit off and unplug from wall outlet. Check for objects in flexible hose / extension tube.</li> </ol>
TURBO BRUSHES DO NOT ROTATE OR ROTATE SLOWLY	<ol style="list-style-type: none"> <li>1. Rotating brush or elbow obstructed.</li> <li>2. Hose obstructed.</li> <li>3. Water tank full.</li> </ol>	<ol style="list-style-type: none"> <li>1. Clear obstructions.</li> <li>2. Clear obstructions.</li> <li>3. Empty water tank.</li> </ol>

## ORDERING REPLACEMENT FILTERS

### TO ORDER REPLACEMENT FILTERS for Model CW240

Call: 1-866-98SHARK (1-866-987-4275)  
Monday to Friday 8:30 A.M. - 5:00 P.M. Eastern Standard Time  
or  
visit our website: [www.sharkvac.com](http://www.sharkvac.com)

### FOR TECHNICAL SUPPORT for Model CW240

Call: 1-800-798-7398  
Monday to Friday 8:30 A.M. - 5:00 P.M. Eastern Standard Time

**Please Note:** Filter are washable. They should, however, be replaced every three (3) months to ensure peak performance of your vacuum.

**Important:** Make sure that filters are completely dry before re-installing back in the vacuum.

### Motor Thermostat

**IMPORTANT:** This motor is equipped with a motor protective thermostat. If for some reason the vacuum cleaner should overheat, the thermostat will automatically turn the unit OFF. Should this occur, unplug the vacuum cleaner from wall outlet or turn off switch. Allow the unit to cool. To restart, re-plug into wall outlet or turn switch back on.

## OPERATING INSTRUCTIONS cont.

### Emptying & Cleaning Water Tank

**WARNING:** To reduce risk of electric shock - unplug before cleaning or emptying water tank.

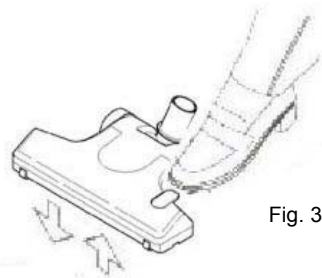
**WARNING:** Water level **MUST NEVER** exceed the "Max" level indicated on the water tank. Empty tank when water level reaches "MAX" indicator. If water is seen to be coming from the exhaust - immediately turn the unit off and unplug from electrical outlet. Empty water tank and clean. Refill water tank with clean water to the "MIN" level, then plug unit back in and continue working.

1. Unplug unit from electrical wall outlet.
2. Remove the water tank and empty into a toilet or an outside drain.
3. The foam inlet filter should be cleaned regularly depending on amount of usage. A severely soiled or clogged filter should be thoroughly washed with fresh tepid water. A mild detergent may be used if required.
4. Let the filter air dry completely before replacing in vacuum. Do not use a washing machine to rinse the filter. Do not use a hair dryer to dry it. Air dry only. Never operate the vacuum without the filter in place.
5. Exhaust filter should be inspected each time the water tank is emptied. To clean the exhaust filter follow the same procedure as for the foam inlet filter.
6. The water tank should also be thoroughly washed. A mild detergent may be used if required.
7. Store your vacuum in a cool, dry place.

**Please Note:** The foam inlet filter and the exhaust filter are washable. It is recommended however, that they should be replaced every three (3) months or sooner depending on the amount of usage.

### Using the Floor to Carpet Attachment

The brushes under the floor to Carpet Nozzle (A) can be left in "Out" position for use on carpets or can be lifted to "Up" position for vacuuming floors. (Fig. 3)



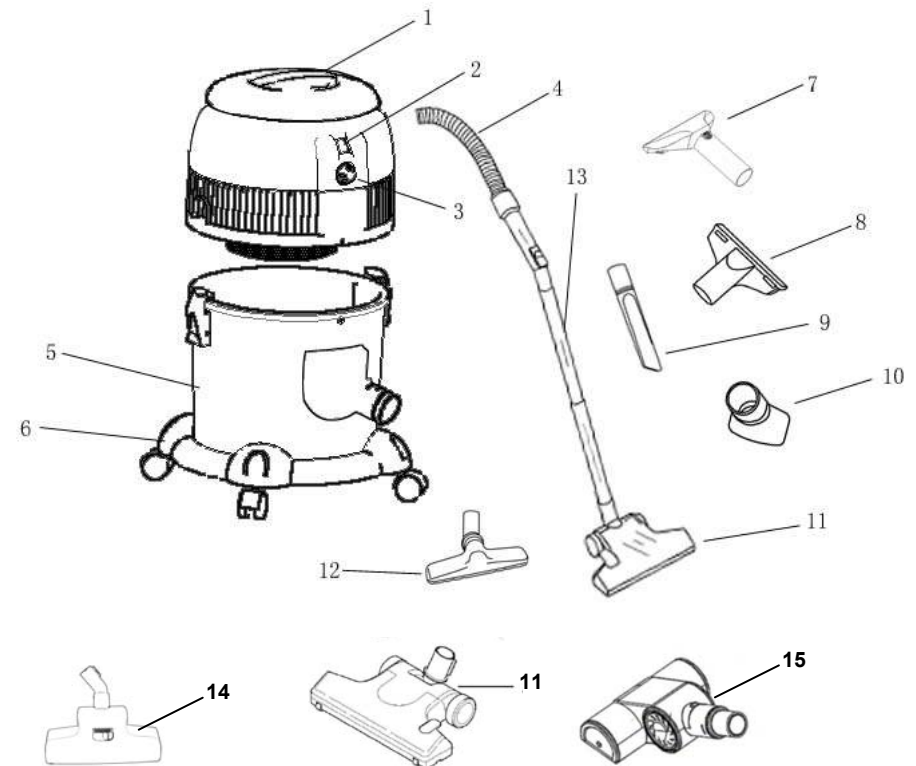
### Motor Thermostat

**Important:** This vacuum cleaner is equipped with a motor protective thermostat. If for some reason your vacuum overheats, the thermostat will automatically turn the unit off. Should this occur, unplug the vacuum from the wall outlet and turn off the switch. Allow the unit to cool for a minimum of 45 minimum prior to restarting the unit. To restart, re-plug the vacuum into the wall socket and turn the switch back on.

### Cord Storage

A convenient cord storage area is provided on the top cover. Simply spool the cord in either direction under the top cover and tuck the plug under the lip.

## GETTING TO KNOW YOUR BAGLESS WATER FILTRATION VACUUM



1. Handle
2. On/Off Power Switch
3. Speed Control
4. Flexible Hose
5. Water Tank
6. Base
7. Triangular Brush

8. Upholstery Brush
9. Crevice Tool
10. Small Round Brush
11. Floor to Carpet Brush
12. Wet Use Brush
13. Extension Tube (3pcs)
14. Deluxe Air Driven Turbo Brush
15. Compact Air Driven Turbo Brush

## Technical Specifications

Voltage: 120V., 60Hz.  
Power: 9.2 Amps, 1100 Watts

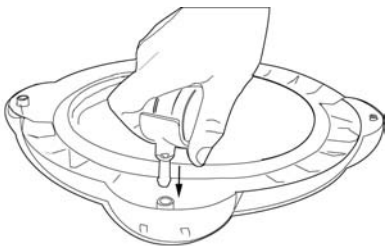
## OPERATING INSTRUCTIONS

**NOTE:** Always remove the power plug from the wall outlet before assembling or removing accessories.

1. Add 6 to 8 cups of water to the tank.
2. Attach the flexible hose to the suction hole.
3. Attach one of the extension tubes to the hand grip of the flexible hose. Insert the hand grip into the wider end of the extension tube and turn to tighten the connection.
4. Attach the other extension tubes to the first one and turn to tighten the connection.
5. Attach the desired accessory (brush with squeegee, air driven turbo brush or floor to carpet brush) to the narrow end of the extension tube.

### Assembling the Base Casters

The casters for the base on your new Bagless Water Filtration Vacuum are packed and shipped unassembled. To assemble the caster to the base, simply insert the caster stem into one of the four (4) holes in the base and push downward with the palm of your hand. (See illustration below.) Repeat for the next three (3) casters.



Your CW240 Water Filtration Vacuum may also be used as a wet pick-up vacuum. To use as a wet pick-up vacuum, operate the unit on the wet surface as you would for a dry surface.

**NOTE:** The air driven turbo brush may not be used for wet pick-up. It is important to monitor the water level in the tank when using the unit for wet pick-up to avoid filling water tank over the "Max" level. **"MAX" pick-up capacity is 8 cups or 64 fl. oz.**

**WARNING:** Water level **MUST NEVER** exceed the "Max" level indicated on the water tank. Empty tank when water level reaches "MAX" indicator. If water is seen to be coming from the exhaust - immediately turn the unit off and unplug from electrical outlet. Empty water tank and clean. Refill water tank with clean water to the "**MIN**" level, then plug unit back in and continue working.

### Using Your Bagless Water Filtration Vacuum

**IMPORTANT: DO NOT** operate this vacuum when water level is below the "**Min**" line on the water tank.

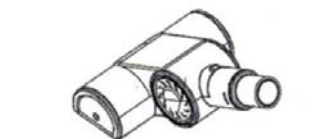
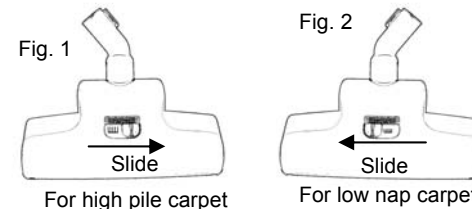
1. Unwrap the power cord to the desired length.
2. Insert plug into electrical outlet.
3. Turn the "On/Off" Switch to the "On" position.
4. The speed control knob can be used to adjust the suction. The manual variable suction control on the hand grip can be used to further reduce the suction.
5. Keep the flat space between the floor brush and floor surface, hand grip and extension tube and move the vacuum cleaner up and down.
6. When finished using the unit, unplug from electrical outlet and wrap the power cord around the top of the unit.

## OPERATING INSTRUCTIONS cont.

### Using the Deluxe and Compact Air Driven Turbo Brushes

1. Turn off the vacuum and unplug from wall outlet.
2. Attach the Air Driven Turbo Brush to the extension tube.
3. Re-plug the vacuum into the wall outlet and start the vacuum. Beater bar on the Air Driven Turbo Brush will begin to rotate and will continue to operate as long as the vacuum is "ON".
4. The Deluxe Air Driven Turbo Brush is adjustable for carpet nap. The Compact Turbo Brush is not. To adjust for high pile carpet, move the slide control on top of the brush housing as shown in Fig. 1.
5. For low nap adjust the slide control as shown in fig. 2.

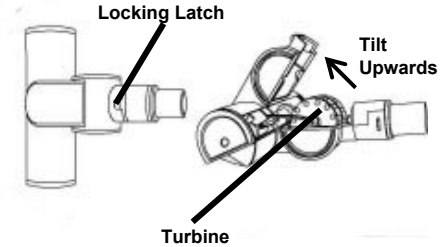
**IMPORTANT: Do not use the Air Driven Turbo Brush for wet pick-up. Use ONLY for dry floors or carpets.**



Compact Air Driven Turbo Brush

**WARNING:** The beater brush of this floor attachment rotates very fast. To avoid injury, **DO NOT TOUCH** the beater brush with fingers while the brush is rotating.

### Cleaning the Compact Air Driven Turbo Brush



1. Slide locking latch forward then tilt the top housing of the brush upwards. The top housing is hinged and will tilt up approximately 45° only.
2. Inspect turbine wheel and air passage for debris and/or blockage. Remove debris if present.
3. Inspect the rotating brush for built-up hair or string. If present, remove by carefully cutting with scissors. Avoid damaging or cutting bristles.
4. Once clean, close the top cover of the turbo brush and slide the locking latch toward the rear of the brush to lock.

**WARNING:** These air driven turbo brushes rotate with the force of the suction power. As the water tank fills with dirt, the suction power will reduce and the air driven turbo brushes will slow down. If this happens, empty the water tank and verify that no threads or hairs have accumulated on the beater brushes which can also reduce beater brush rotation speed.

## Free Manuals Download Website

<http://myh66.com>

<http://usermanuals.us>

<http://www.somanuals.com>

<http://www.4manuals.cc>

<http://www.manual-lib.com>

<http://www.404manual.com>

<http://www.luxmanual.com>

<http://aubethermostatmanual.com>

Golf course search by state

<http://golfingnear.com>

Email search by domain

<http://emailbydomain.com>

Auto manuals search

<http://auto.somanuals.com>

TV manuals search

<http://tv.somanuals.com>