

# Commercial Grade Water Chiller Model CGCL1



## Installation and Operating Guide

### SPECIFICATIONS

Remote type, electric refrigerated, water chiller unit. Chilling capacity of 1.3 gallons per hour of 50°F drinking water, based upon 80°F inlet water and 90°F ambient. (A.R.I. Standard Ratings).

Compact, highly efficient water chiller units are designed for use with any drinking water faucet. Installs directly under kitchen counter, in well-ventilated cabinet.

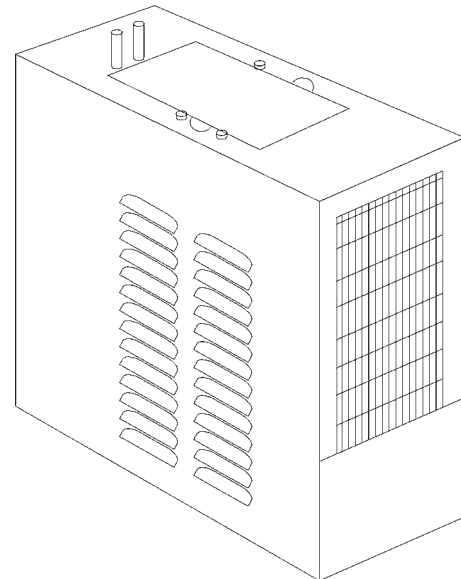
### NO LEAD DESIGN

THIS WATER CHILLER COMPLIES WITH THE LEAD-FREE DEFINITION IN THE SAFE DRINKING WATER ACT OF 1986 AND LEAD CONTAMINATION CONTROL ACT OF 1988.

This Water Chiller is manufactured with a waterway system utilizing stainless steel components and completely lead-free materials. These waterways have no lead because all lead-containing materials, such as leaded brass, have been removed. All joints are brazed using silver solder only. No lead solder is permitted. Ideal for use with filter treated water, domestic water supply or reverse osmosis systems.



This water chiller is classified by Underwriters Laboratories Inc. in accordance with **NSF/ANSI 61-2002e**.



CGCL1 Remote Chiller

Model Number	Base Rate	Inlet Water Temp (°F)	GPH of 50°F Drinking Water				Watts Rated	Full Load Amps	Ship Wt. Lbs.
			Room Temperature °F						
			70	80	90	100			
CGCL1	1.3	70	2.1	2.0	1.8	1.6	155	1.7	35
		80	1.5	1.4	1.3	1.2			
		90	1.1	1.0	.9	.8			

Rated watts shown are based on operational (run) time, in accordance with ARI Standard 1010 conditions. Specific applications will determine the actual watts consumed per hour. Watts consumed will be based on number of people served per hour (usage), ambient temperatures, and inlet water temperature.

Multiple-outlet capacities. Service to 1 station only.

### COOLING SYSTEM

**Motor Compressor:** Hermetically sealed, reciprocating type, 1/18 HP, 115VAC, 60Hz single phase. Sealed in lifetime oil supply.

**Power:** Rated 1.7 Amps; 155 watts

**Condenser:** Fan cooled, copper tube with aluminum fins. Fan motor is permanently lubricated.

**Cooling Unit:** Combination tube-tank type. Evaporator cooling coil of continuous copper tubing. Tank is stainless steel. Tank volume is 0.7 gallons. All water contact surfaces are stainless steel. Fully insulated.

**Refrigerant Control:** Refrigerant HFC-134a is controlled by accurately calibrated capillary tube for positively trouble-free operation.

**Temperature Control:** Enclosed adjustable thermostat is factory preset. Requires no adjustment other than for altitude requirements.

### CONSTRUCTION

**Cabinet:** Rust-resistant, galvanized steel.

**Drain Plug:** This chiller is provided with a plastic drain plug which incorporates an o-ring seal. This fitting is designed for potable water applications and should be replaced with a suitable fitting if chiller is used with more aggressive liquids.

**5 YEAR LIMITED WARRANTY** on the refrigeration system of the unit. Electrical components and water system are warranted for 12 months from date of installation. Warranty pertains to drinking water applications only. Non-drinking water applications are not covered under warranty. Sample Certificate available on request.

**Note:** In keeping with our policy of continuing product improvement, Everpure reserves the right to change materials, design and specifications without notice.

This Air Cooled Water Chiller is listed by Underwriters Laboratories for Drinking Water Coolers and Drinking Water Coolers certified for Canada, rated in accordance with A.R.I. Standard 1010 and meets all known federal and state plumbing codes.



*Manufactured for Everpure, LLC by Elkay Manufacturing Company.  
This specification describes a product with design, quality and functional benefits to the user. When making a comparison of other producers' offerings, be certain these features are not overlooked.*

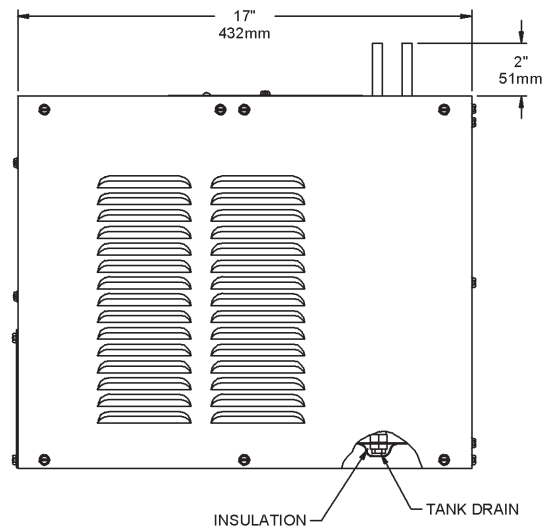
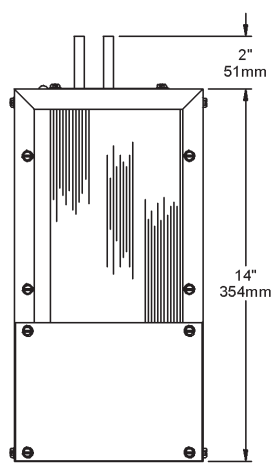
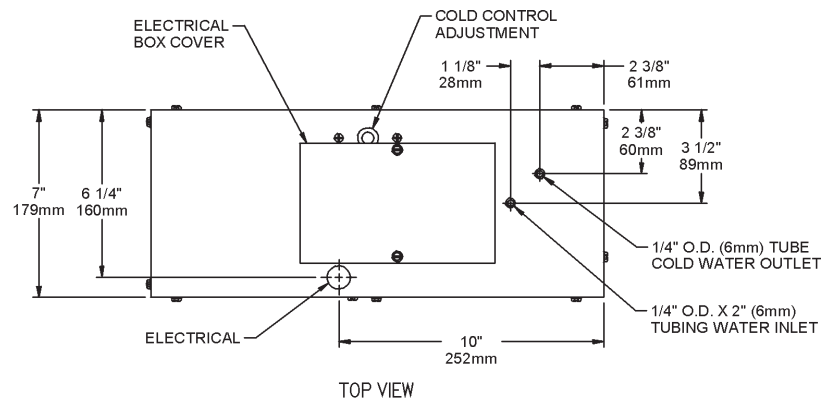
Everpure, LLC  
www.everpure.com

1040 Muirfield Dr.  
Hanover Park, IL 60133

1.800.323.7873  
Tech. Service 1.800.942.1153

# Model CGCL1

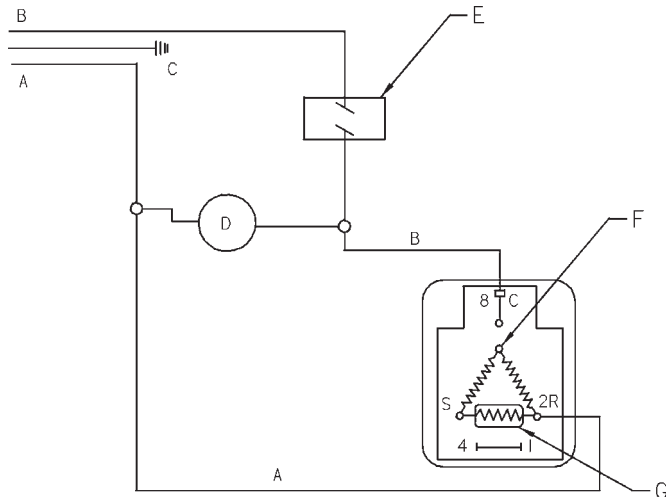
## Everpure Commercial Grade Water Chiller Installation



FRONT VIEW

SIDE VIEW

- A) WHITE
- B) BLACK
- C) GROUND
- D) FAN
- E) COLD CONTROL
- F) INTERNAL OVERLOAD PROTECTOR
- G) PTC STARTER



WIRING DIAGRAM

# Model CGCL1

## INSTALLATION

1. This unit is intended to be installed underneath a conventional kitchen sink, in a cabinet not less than 36" (914mm) wide (inside dimension). Two air openings with a minimum of 40" square (1016mm/square) each, minimum of 75% open area, must be provided in the cabinet. One opening must be in the overhang of the toe space. The other opening near the top of the cabinet. The remote unit must be installed with a minimum of 3" clearance between the unit and the rear wall of the cabinet. It can be installed flush against either side wall of the cabinet. The side louvers which are not against the cabinet must not be blocked by objects located within 4" (102mm) of the louvers. In addition, a minimum of 1 to 2" (25 to 51mm) clearance must be provided between the toe space air opening and front of the unit.
2. Water inlet and outlet are 1/4" (6 mm) O.D. tubes.
3. Connecting lines to be of copper, thoroughly flushed to remove all foreign matter before being connected to cooler.
4. Connect cooler to supply line with a shut-off valve and install a 1/4" O.D. (6 mm) tube. Make sure the cold water connecting to the faucet is filtered. Use an Everpure Commercial Grade Filter System to provide filtered water. Refer to the Everpure Filter system Install and Operation Manual for installation procedures.

**CAUTION:** Under certain conditions i.e., fluctuations in line pressure, water temperature, intermittent use, it is recommended to use a mini expansion tank to allow water expansion. See Everpure part number EV310413, not included in box.

5. Electrical: Make sure power supply is identical in voltage, cycle, and phase to that specified on cooler serial plate. Never wire compressor directly to the power supply.

## START-UP

1. Open supply line valve.
2. Purge air from all water lines by using water through faucet. A steady stream assures all air is removed.
3. Rotate fan to insure proper clearance and free fan action.
4. Connect to electrical power.

## TROUBLE SHOOTING & MAINTENANCE

### Temperature Control:

Factory set at 50°F under normal conditions. For colder water, adjust screw on item no. 10 in clockwise direction.

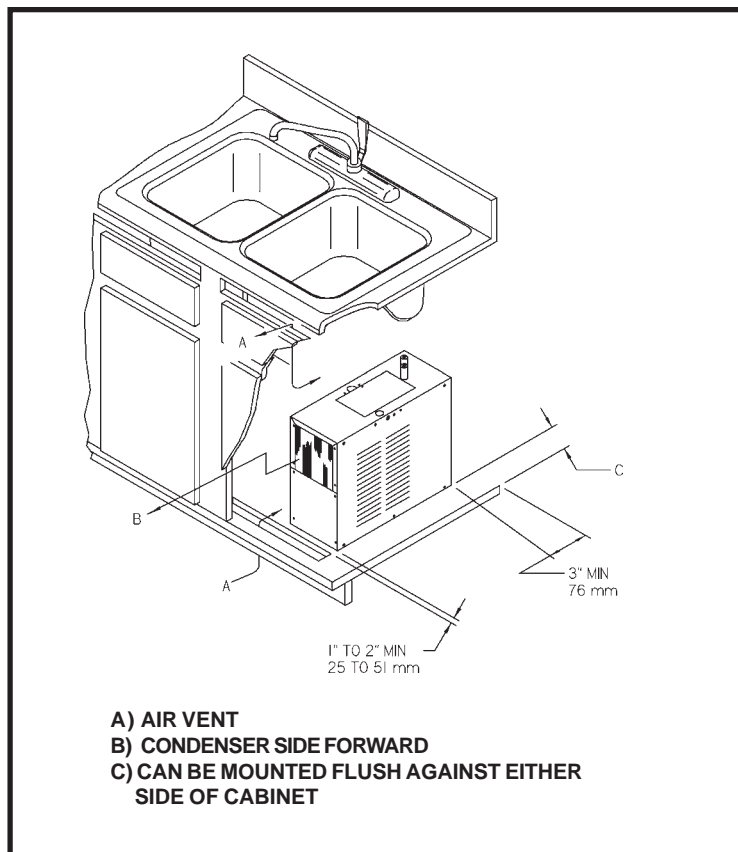
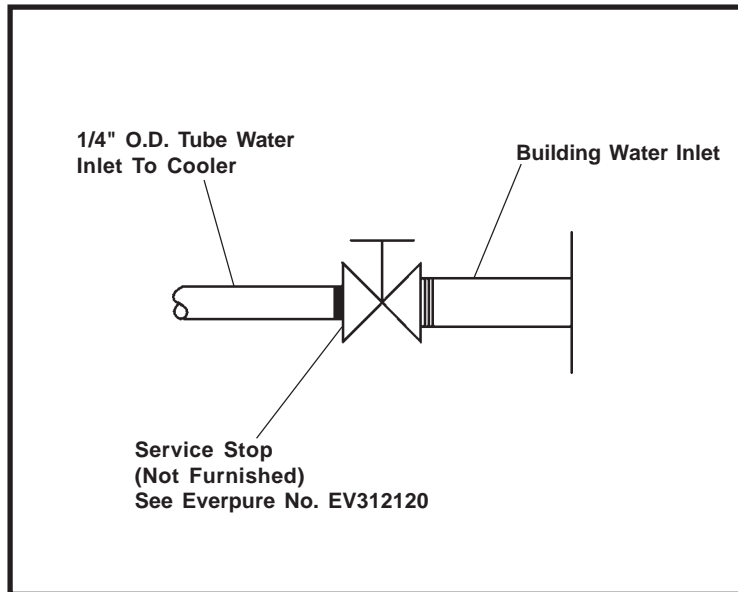
### Ventilation:

Cabinet louvers and condenser fins should be periodically cleaned with brush, air hose or vacuum cleaner. Excess dirt or poor ventilation can cause no cold water and compressor cycling on the compressor overload protector.

### Lubrication:

Motors are lifetime lubricated.

# Model CGCL1



Repair Service Information Toll Free Number 1.800.942.1153

Manufactured for Everpure, LLC by Elkay Manufacturing Company  
Everpure, LLC • 1040 Muirfield Dr. • Hanover Park, IL 60133 • 800.323.7873 • [www.everpure.com](http://www.everpure.com)

## Free Manuals Download Website

<http://myh66.com>

<http://usermanuals.us>

<http://www.somanuals.com>

<http://www.4manuals.cc>

<http://www.manual-lib.com>

<http://www.404manual.com>

<http://www.luxmanual.com>

<http://aubethermostatmanual.com>

Golf course search by state

<http://golfingnear.com>

Email search by domain

<http://emailbydomain.com>

Auto manuals search

<http://auto.somanuals.com>

TV manuals search

<http://tv.somanuals.com>