



EV9259-14

# QL3 Single Head

Filter head exclusively for Everpure replacement cartridges



QL3 Single Head: EV9259-14

## BENEFITS

Commercial quality filter head is designed exclusively to fit Everpure filter cartridges

Includes built-in water shut off valve

Includes mounting bracket and screws

Solid durable construction is ideal for foodservice and vending applications

All wetted parts have passed NSF extraction tests

Engineered for durability, strength and longevity

Will not corrode

## INSTALLATION TIPS

Mounts directly onto flat surface

Install vertically so cartridge hangs down

Allow 2-1/2" clearance below the cartridge for easy cartridge replacement

Flush filter by running water through filter according to cartridge instructions

## OPERATION TIPS

Change cartridges on a regular 6 month preventative maintenance program

Change cartridges when capacity is reached or when pressure decreases

Always flush the filter cartridge at time of installation and cartridge change

## APPLICATION/SIZING

For foodservice, vending and OCS applications

Capacity: varies according to filter cartridge used

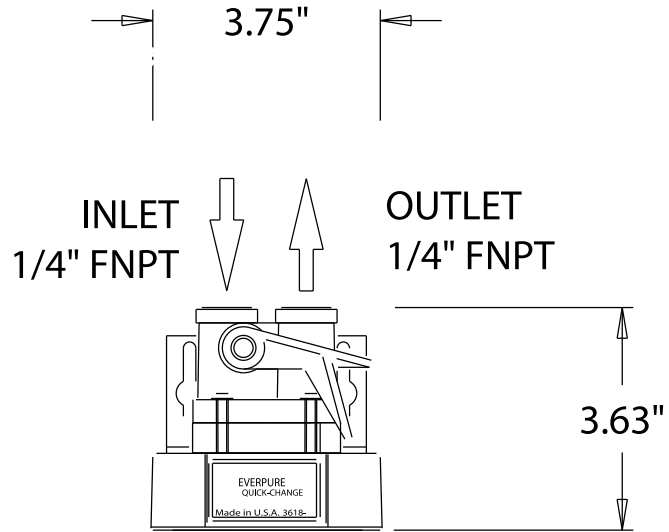
## SPECIFICATIONS

### Dimensions:

3.63"H x 3.75"W x 5"D

No electrical connection required

## QL3 Single Head



## WARRANTY

Everpure water treatment systems (excluding replaceable elements) are covered by a limited warranty against defects in material and workmanship for a period of five years after date of purchase. Everpure replaceable elements (filter cartridges and water treatment cartridges) are covered by a limited warranty against defects in material and workmanship for a period of one year after date of purchase. See printed warranty for details. Everpure will provide a copy of the warranty upon request.

### EVERPURE®

EVERPURE, INC.  
2375 Sanders Road  
Northbrook, IL 60062  
Toll Free (800) 323-7873  
Tel (847) 205-6000  
Fax (800) 942-0081  
<http://www.everpure.com>

*In Europe:*  
N.V. EVERPURE (EUROPE) S.A.  
Geldenaaksebaan 478  
B-3001 Heverlee  
Belgium  
Tel 32-16-401191  
FAX 32-16-402691

*In Japan:*  
EVERPURE JAPAN, INC.  
1-8-19, Tsumada Kita,  
1-Chome, Atsugi City  
Kanagawa Ken 243-0812  
Japan  
Tel 81-462-23-6563  
FAX 81-462-21-6775

Everpure, Inc.  
2375 Sanders Road  
Northbrook, IL 60062  
Phone: 800-323-7873 Fax: 800-942-0081

## Free Manuals Download Website

<http://myh66.com>

<http://usermanuals.us>

<http://www.somanuals.com>

<http://www.4manuals.cc>

<http://www.manual-lib.com>

<http://www.404manual.com>

<http://www.luxmanual.com>

<http://aubethermostatmanual.com>

Golf course search by state

<http://golfingnear.com>

Email search by domain

<http://emailbydomain.com>

Auto manuals search

<http://auto.somanuals.com>

TV manuals search

<http://tv.somanuals.com>