



EV9324-21

Insurice Single PF-i2000² System

Delivers premium quality water for ice applications

Insurice Single PF-i2000² System: EV9324-21
 i2000² Replacement Cartridge: EV9612-22
 EC210 Prefilter Cartridge: EV9534-26



BENEFITS

- Reduces water-related ice machine problems caused by scale build-up from dirt and dissolved minerals
- New and improved Micro-Pure II media inhibits the growth of bacteria
- Reduces chlorine taste and odor and other offensive contaminants
- Self-contained scale inhibitor feed keeps ice machines functioning at full capacity
- Reduces maintenance and service costs by reducing scale and clogging of distribution lines, evaporator plate and pump
- Precoat submicron technology reduces dirt and particles as small as 1/2 micron in size and reduces possible health contaminants such as cysts
- 20" prefilter reduces dirt and particles
- Sanitary cartridge replacement is simple, quick and clean. Internal filter parts are never exposed to handling or contamination

INSTALLATION TIPS

- Choose a mounting location suitable to support the full weight of the system when operating
- Never use saddle valve for connection
- Use 3/4" water line
- Do not connect system to water-cooled condenser
- Install vertically with cartridges hanging down and allow 2-1/2" clearance below the cartridge for easy cartridge replacement
- Flush cartridges by running water through system for five minutes at full flow

OPERATION TIPS

- Change cartridges on a regular 6 month preventative maintenance program
- Change cartridges when capacity is reached or when pressure falls below 10 psi
- Service flow rate must not exceed 1.67 gpm
- Always flush the filter cartridge at time of installation and cartridge change
- Inspect EC210 cartridge periodically to determine dirt load
- Replace EC210 cartridge when dirt has penetrated through to the inner core of the cartridge

APPLICATION/SIZING

- For ice machine applications
- Most cubers up to 750 lbs./day
- Most flakers up to 1,500 lbs./day
- Rated Capacity: 9,000 gallons

Insurice Single PF-i2000² System

SPECIFICATIONS

Overall Dimensions:
25.33"H x 14.15"W x 6.74"D

Inlet connection:
3/4"

Outlet connection:
3/4"

Service Flow Rate:
Maximum 1.67 gpm (6.3 Lpm)

Rated Capacity:
9,000 gallons

Pressure Requirements:
10 - 125 psi (0.7 – 8.6 bar), non-shock

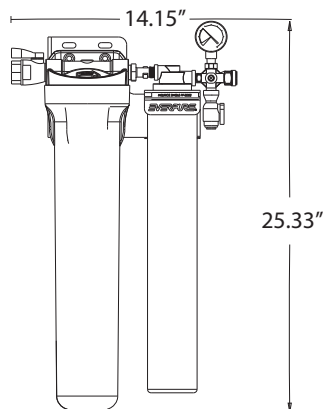
Temperature:
35 - 100°F (2 - 38°C)

No electrical connection required

Shipping Weight:
10 lbs.

Operating Weight:
19 lbs.

The contaminants or other substances removed or reduced by this drinking water system are not necessarily in your water. Do not use with water that is microbiologically unsafe or of unknown quality without adequate disinfection before or after the system. Systems certified for cyst reduction may be used with disinfected water that may contain filterable cysts.



WARRANTY

Everpure water treatment systems (excluding replaceable elements) are covered by a limited warranty against defects in material and workmanship for a period of five years after date of purchase. Everpure replaceable elements (filter cartridges and water treatment cartridges) are covered by a limited warranty against defects in material and workmanship for a period of one year after date of purchase. See printed warranty for details. Everpure will provide a copy of the warranty upon request.

EVERPURE®

Worldwide Headquarters:
EVERPURE, LLC
1040 Muirfield Drive
Hanover Park, Illinois 60133
Toll Free (800) 323-7873
Tel (630) 307-3000
Fax (630) 307-3030
<http://www.everpure.com>

In Europe:
Pentair Water Belgium B.V./B.A.
Industriepark Wolfstee
Toekomstlaan 30
B- 2200 Herentals
BELGIUM
TEL: +32.(0).14.283.500
FAX: +32.(0).14.283.505

In Japan:
Hashimoto MN Bldg. 7F
3-25-1 Hashimoto Sagamihara-Shi
Kanagawa 229-1103
JAPAN
TEL: 81.(0)42.775.3011
FAX: 81.(0)42.775.3015

Free Manuals Download Website

<http://myh66.com>

<http://usermanuals.us>

<http://www.somanuals.com>

<http://www.4manuals.cc>

<http://www.manual-lib.com>

<http://www.404manual.com>

<http://www.luxmanual.com>

<http://aubethermostatmanual.com>

Golf course search by state

<http://golfingnear.com>

Email search by domain

<http://emailbydomain.com>

Auto manuals search

<http://auto.somanuals.com>

TV manuals search

<http://tv.somanuals.com>