

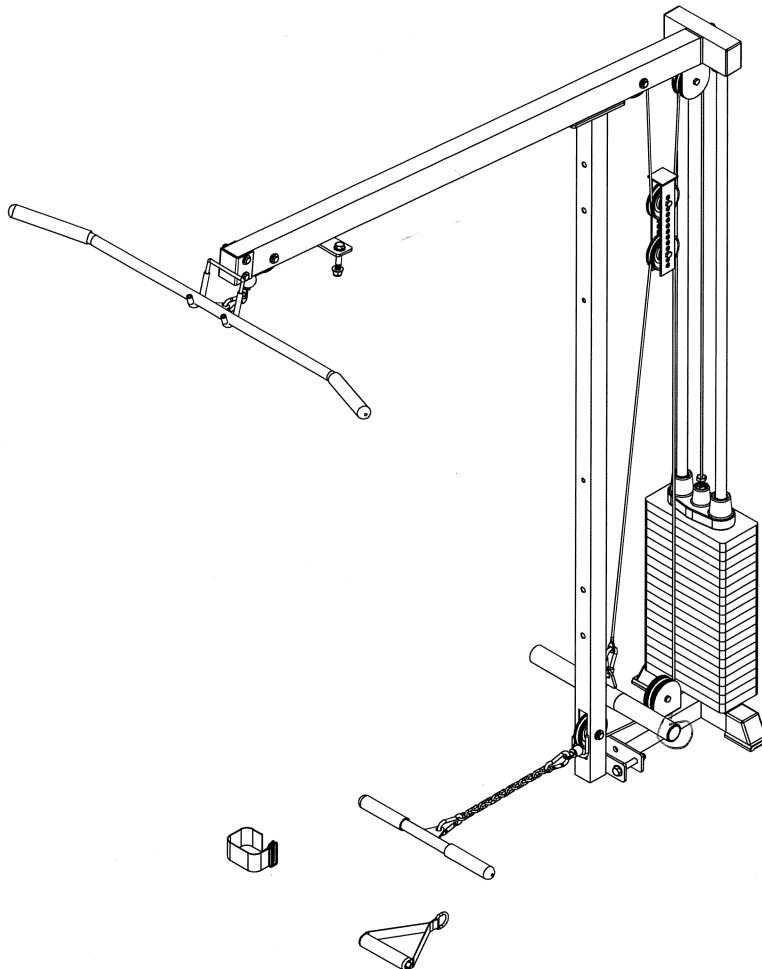
USER'S MANUAL

# 5102 TAHOE HOME GYM

MODEL NUMBER: 5102



[www.evofitness.com](http://www.evofitness.com)



USER WEIGHT LIMITATION: **350lbs.**

TOLL FREE CUSTOMER SERVICE NUMBER: **1.888.800.1167**

SERIAL NUMBER (found on frame):



PREASSEMBLY**For future service or related questions:**

Please staple your receipt and/or write in the name and phone number of the retail store where you purchased your EVO Fitness Home Gym.

Name: \_\_\_\_\_ Phone Number: \_\_\_\_\_ Receipt: \_\_\_\_\_

**Open the boxes:**

You are now ready to open the boxes of your new equipment. Make sure to inventory all of the parts that are included in the boxes. Check the Parts List for a full count of the number of parts included for this product to be assembled properly. If you are missing any parts or have any assembly questions call your local EVO dealer or contact us directly at 888-800-1167.

**Gather your tools:**

Before starting the assembly of your unit, make sure that you have gathered all the necessary tools you may require to assemble the unit properly. Having all of the necessary equipment at hand will save time and make the assembly quick and hassle-free.

**Clear your work area:**

Make sure that you have cleared away a large enough space to properly assemble the unit. Make sure the space is free from anything that may cause injury during assembly. After the unit is fully assembled, make sure there is a comfortable amount of free area around the unit for unobstructed operation.

**Invite a friend:**

Some of the assembly steps may require heavy lifting. It is recommended that you obtain the assistance of another person when assembling this product.

**User Weight Limitation:**

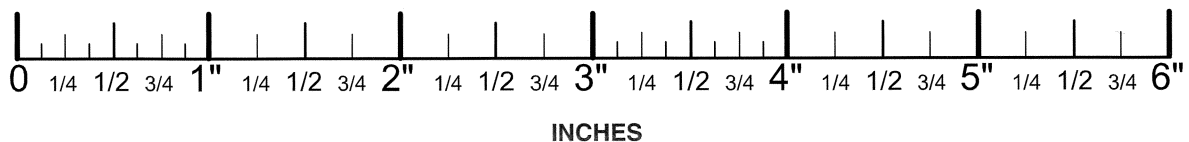
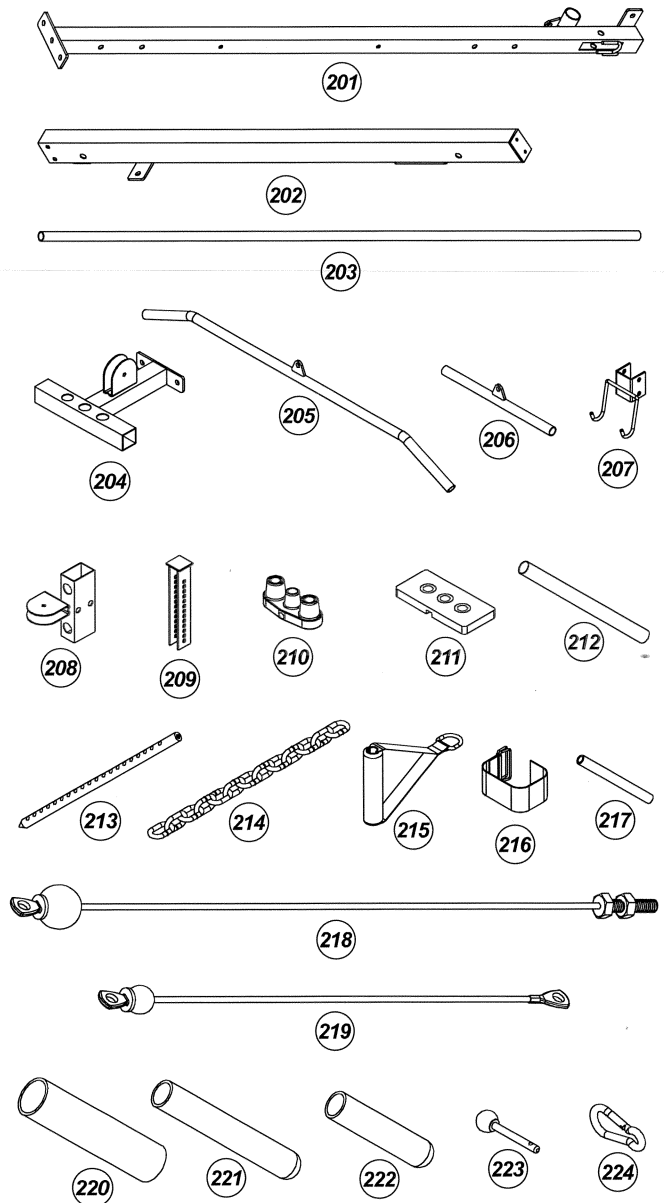
Please note that there is a weight limitation for this product. **If you weigh more than 350lbs. it is not recommended that you use this product. Serious injury may occur if the user's weight exceeds the limit shown here.** This product is not intended to support users whose weight exceeds this limit.

## PARTS LIST

## Parts List:

For your convenience, we have identified the parts used in the assembly of this product. This chart is provided to help you identify those items that may be unfamiliar to you.


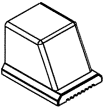





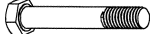
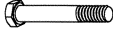

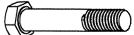
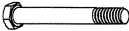
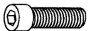
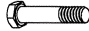





NO.	DESCRIPTION	QTY.	ORDER NO.
201	MAIN UPRIGHT	1	5102-201
202	TOP FRAME	1	5102-202
203	GUIDE TUBE	2	5102-203
204	WEIGHT BASE	1	5102-204
205	LAT BAR	1	5102-205
206	CURL BAR	1	5102-206
207	LAT BAR HOLDER	1	5102-207
208	WEIGHT TOP FRAME	1	5102-208
209	FLOATING PULLEY BLOCK	1	5102-209
210	TOP PLATE	1	5102-210
211	WEIGHT PLATE	19	5102-211
212	1-1/2" ROUND TUBE	1	5102-212
213	SELECTOR ROD	1	5102-213
214	LINK CHAIN	1	5102-214
215	SINGLE CURL	1	5102-215
216	ANKLE STRAP	1	5102-216
217	5/16" FOAM TUBE	2	5102-217
218	TOP CABLE	1	5102-218
219	LOW CABLE	1	5102-219
220	1-1/2" FOAM TUBE	2	5102-220
221	HAND GRIP (LONGER)	2	5102-221
222	HAND GRIP (SHORTER)	2	5102-222
223	SELECTOR PIN	1	5102-223
224	SNAP HOOK	4	5102-224



Visit us at: [www.evofitness.com](http://www.evofitness.com)

PARTS LIST**Parts List:**

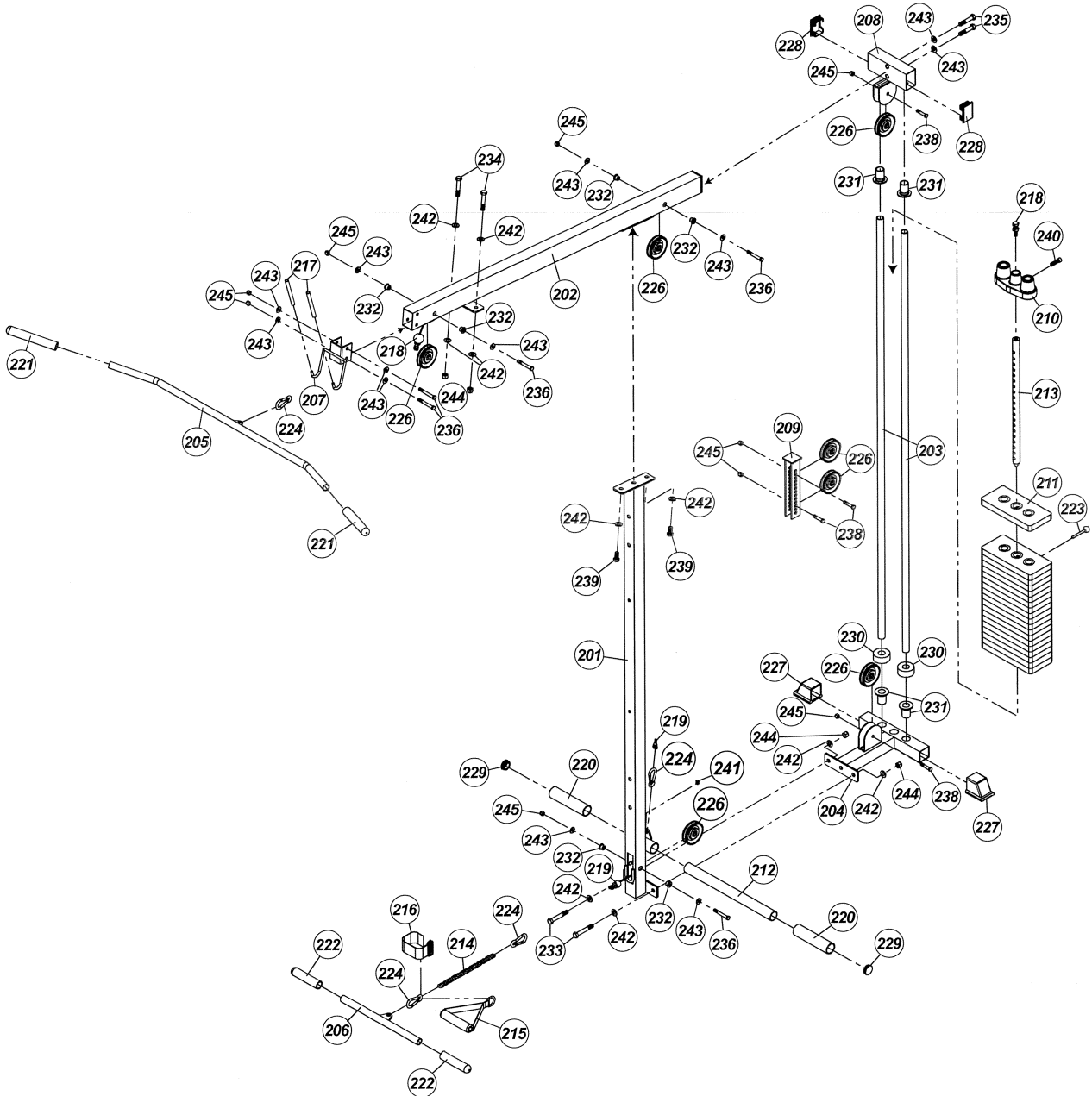
For your convenience, we have identified the parts used in the assembly of this product. This chart is provided to help you identify those items that may be unfamiliar to you.

NO.	DESCRIPTION	QTY.	ORDER NO.				
226	PULLEY	7	5102-226				
227	50mm SQ. END CAP	2	5102-227	(226)	(227)	(228)	(229)
228	50mm X 75mm PLUG	2	5102-228				
229	38mm PLUG	2	5102-229				
230	RUBBER DOUGHNUT	2	5102-230				
231	PLASTIC GUIDE ROD HOLDER	4	5102-231	(230)	(231)	(232)	
232	3/8" BUSHING	6	5102-232				
233	1/2" X 3-1/4" HEX HEAD BOLT	2	5102-233				
234	3/8" X 2-3/4" HEX HEAD BOLT	2	5102-234	(233)	(235)	(239)	
235	BOLT	2	5102-235				
236	3/8" X 3" HEX HEAD BOLT	5	5102-236				
238	3/8" X 1-3/4" HEX HEAD BOLT	4	5102-238	(234)	(236)	(240)	
239	1/2" X 1" HEX HEAD BOLT	2	5102-239				
240	TOP PLATE BOLT	1	5102-240				
241	5/16" X 1/4" SET SCREW	1	5102-241				
242	1/2" WASHER	10	5102-242		(238)	(241)	
243	3/8" WASHER	12	5102-243				
244	1/2" NYLON NUT	4	5102-244				
245	3/8" NYLON NUT	9	5102-245	(242)	(243)	(244)	(245)



## PARTS DIAGRAM

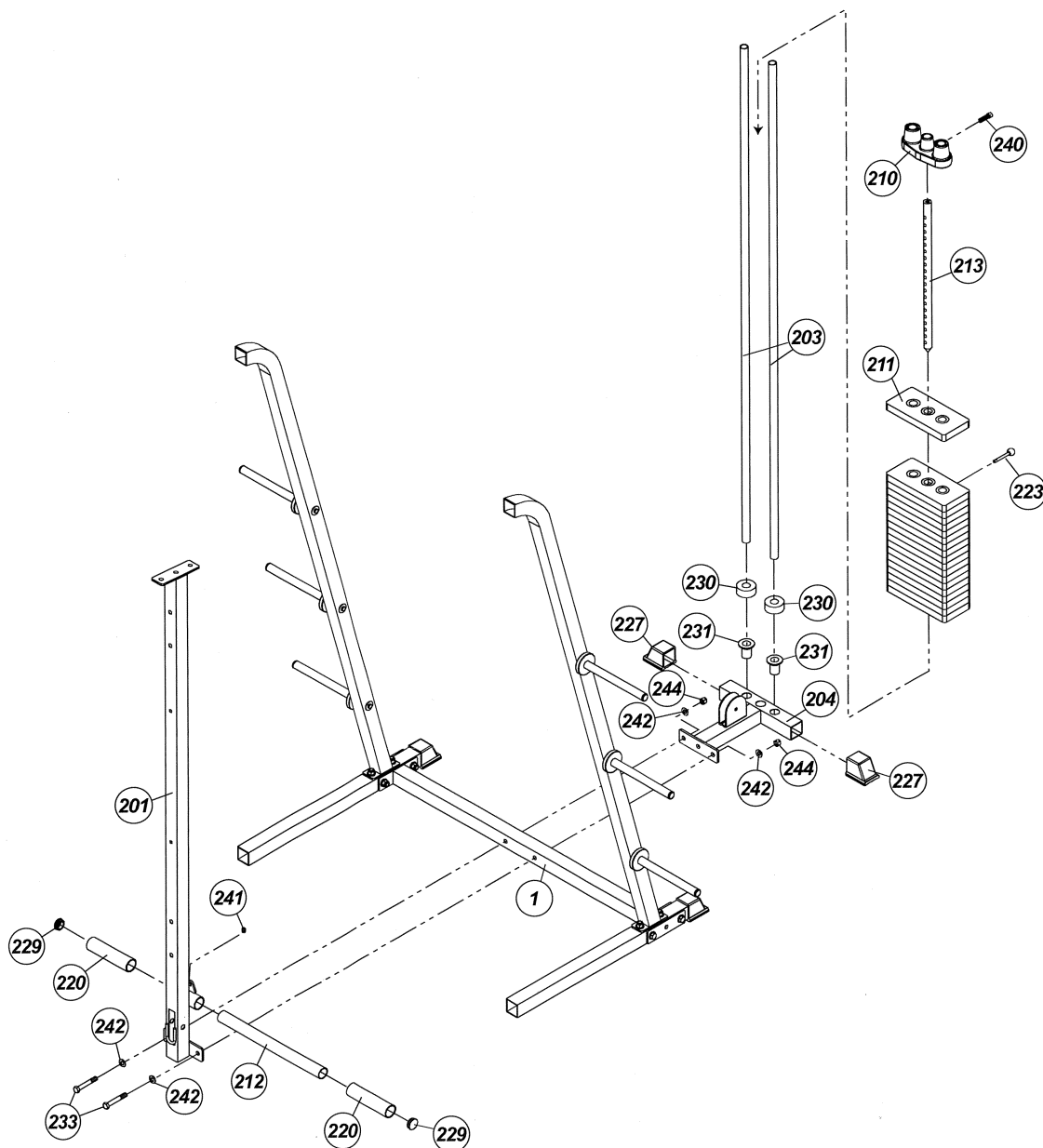
A MAJORITY OF THE PARTS SHOWN HERE HAVE BEEN PREASSEMBLED AT THE FACTORY.



Visit us at: [www.evofitness.com](http://www.evofitness.com)

**ASSEMBLY****STEP 1:**

Cap the Weight Base (204) with the 50mm Sq. End Caps (227). Attach the Main Upright (201) and Weight Base (204) to the Connect Beam (1) using two 1/2" x 3-1/4" Hex Head Bolts (233), four 1/2" Washers (242) and two 1/2" Nylon Nuts (244). Insert the Guide Rods (203) through the Rubber Doughnuts (230) and Plastic Guide Rod Holders (231) and into the holes in the Weight Base (204). Attach the Selector Rod (213) to the Top Plate (210) using the Top Plate Bolt (240). Slide the Top Plate (210) and Selector Rod (213) onto the weight stack by inserting the Guide Rods (203) through the holes in the Top Plate (210) and slowly lowering them down. Lock the Select Rod (213) in place with the Select Pin (223). Insert the 1-1/2" Round Tube (212) through the sleeve on the Main Upright (201) and secure with one 5/16" x 1/4" Set Screw (241). Slide the two 1-1/2" Foam Pads (220) onto the 1-1/2" Round Tube (212) and cap with the 38mm Plugs (229).

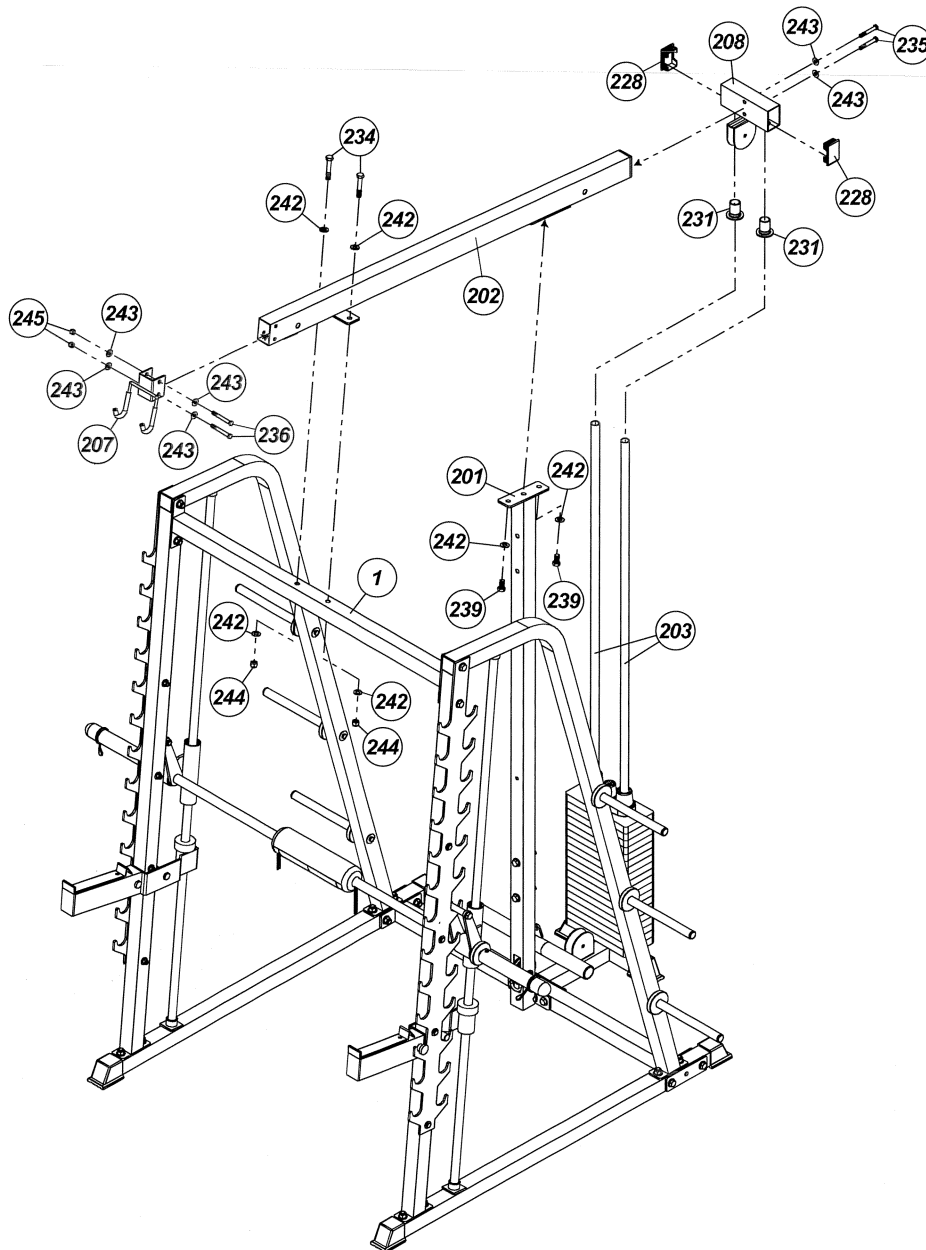


Visit us at: [www.evofitness.com](http://www.evofitness.com)

## ASSEMBLY

## STEP 2:

Attach the Lat Bar Holder (207) to the Top Frame (202) using two 3/8" x 3" Hex Head Bolts (236), four 3/8" Washers (243) and two 3/8" Nylon Nuts (245). Cap the Weight Top Frame (208) with the 50mm x 75mm Plugs (228). Attach the Weight Top Frame (208) to the Top Frame (202) using two 3/8" x 2-3/4" Hex Head Bolts (235) and two 3/8" Washers (243). Insert two Plastic Guide Rod Holders (231) to the holes in Weight Top Frame (208). Slide the Weight Top Frame (208) onto the top of the Guide Rods (203). Align the mounting holes in the Top Frame (202) with the holes in the Main Upright (201) then secure with two 1/2" x 1" Hex Head Bolts (239) and two 1/2" Washers (242). Attach the Top Frame (202) to the Connect Beam (1) using two 1/2" x 3" Hex Head Bolts (234), four 1/2" Washers (242) and two Nylon Nuts (244).



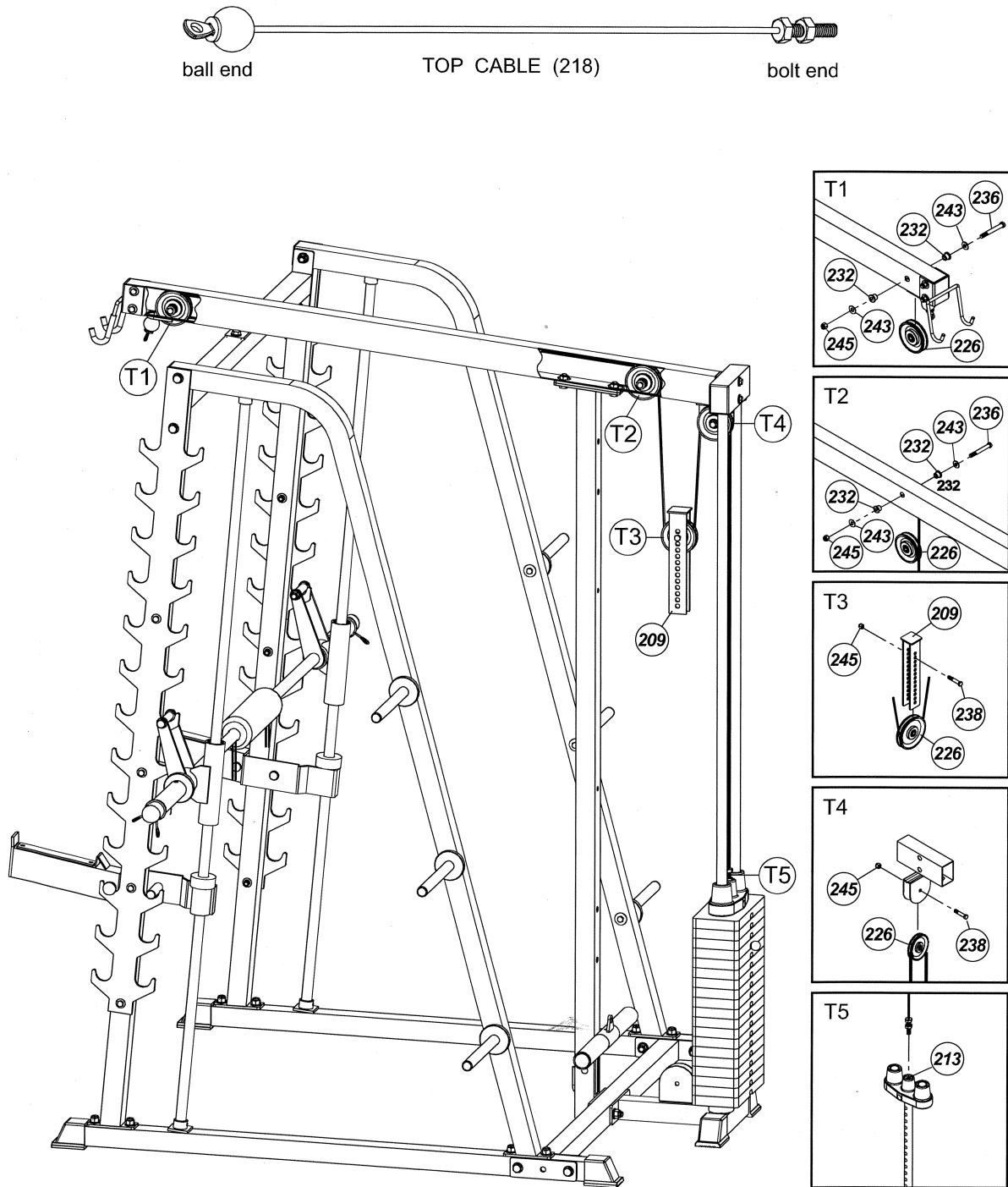
Visit us at: [www.evofitness.com](http://www.evofitness.com)



## ASSEMBLY

## STEP 3:

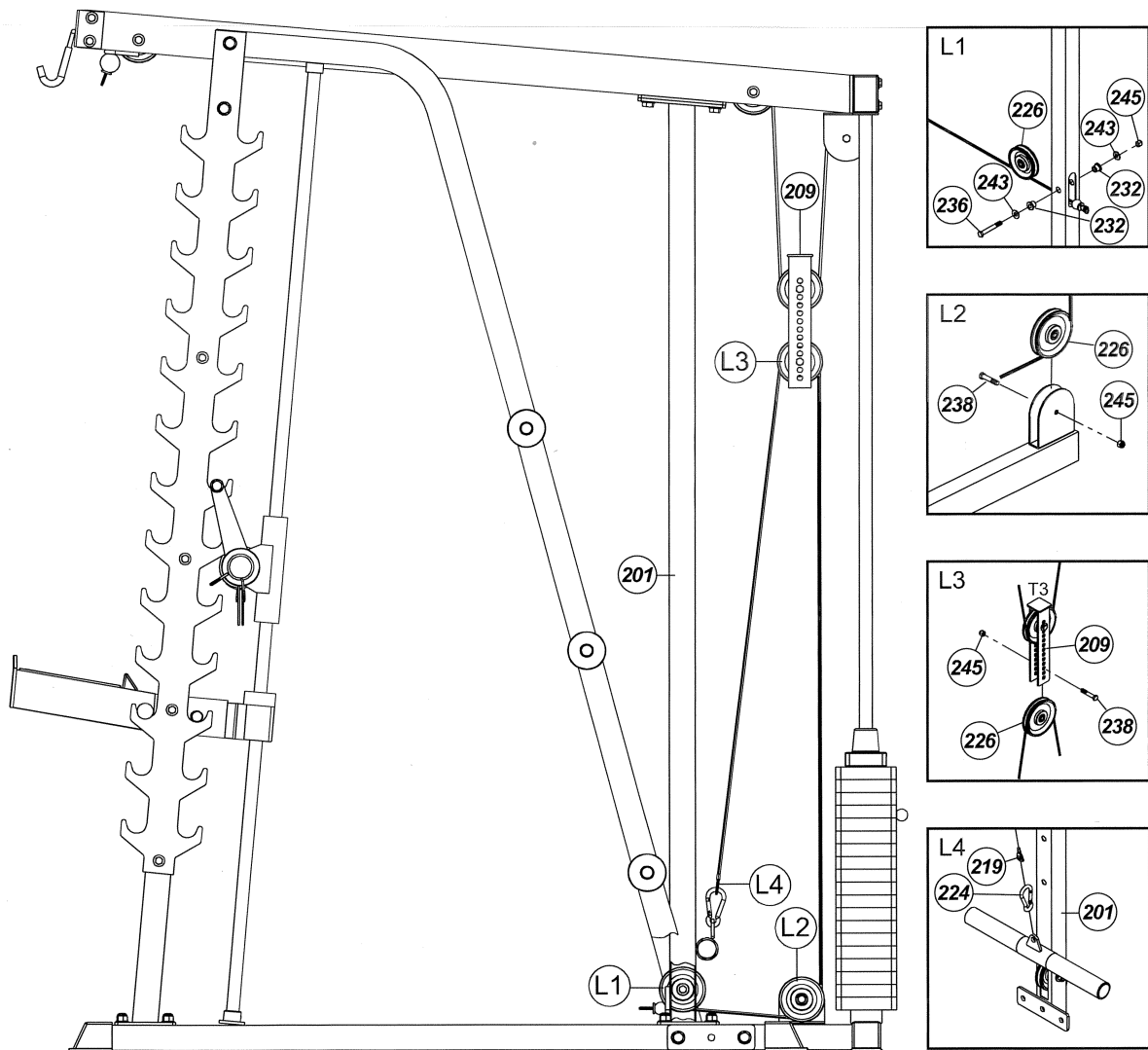
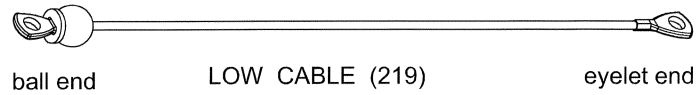
Insert the bolt end of the Top Cable (218) through Pulley T1 (Ball End outside). Route the cable over Pulley T2, down and around pulley T3, up and around pulley T4, down and attach to the Select Rod (213). Secure by tightening the bolt end down at least 7 threads.



## ASSEMBLY

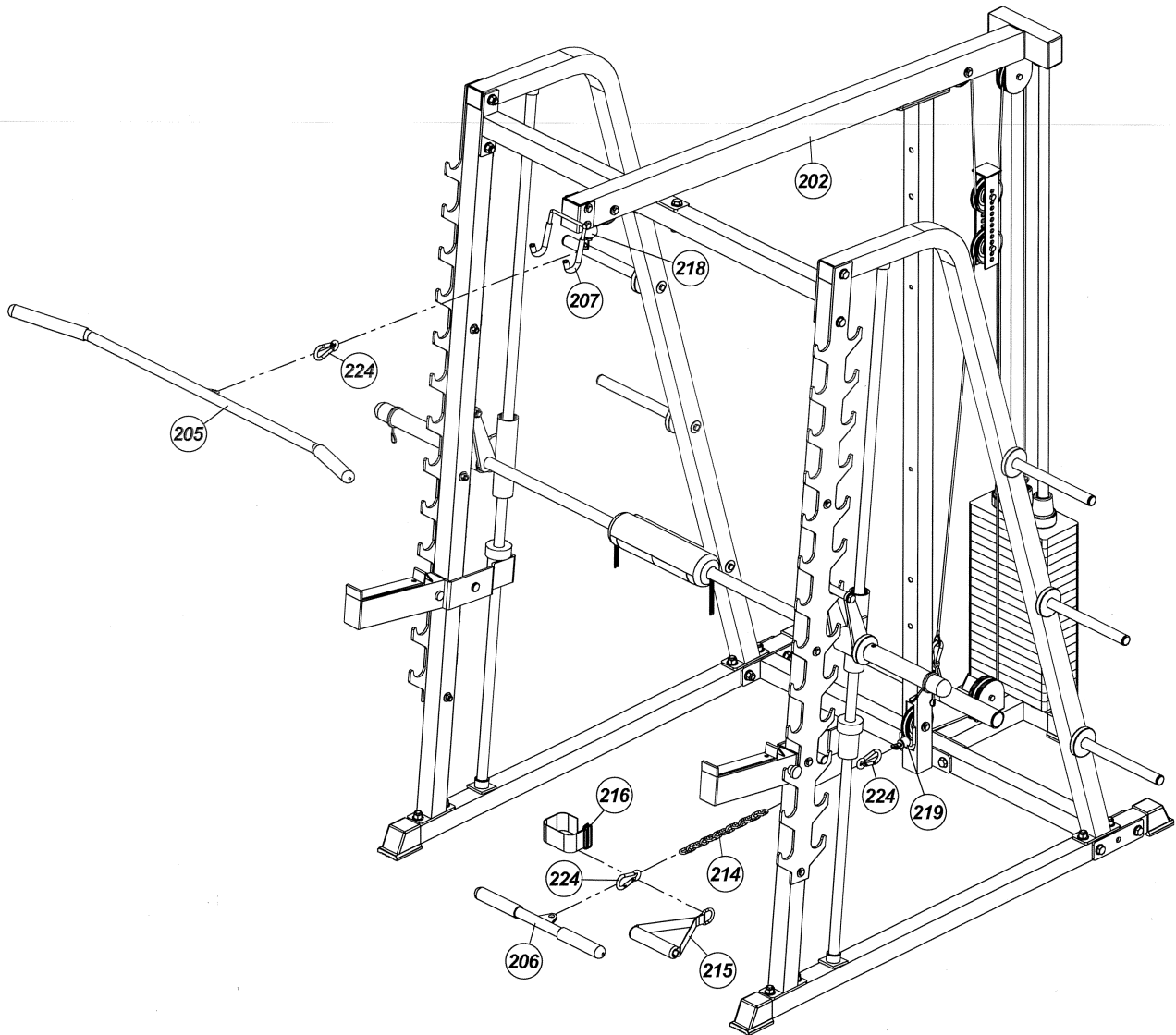
## STEP 4:

Insert the eye end of the Lower Cable (219) through pulley L1. Route the Cable beneath pulley L1, continue through pulley L2, up and around pulley L3, down and attach the eyelet end to the Main Upright (201) using the Snap Hook (224).



ASSEMBLY**STEP 5:**

Attach the Lat Bar (205) to the eyelet of Top Cable (218) using the Snap Hook (224) then place the Lat Bar (205) on the hook of the Lat Bar Holder (207). Attach the accessories (206,215,216) to the cable eyelet using the Snap Hook (224) and the Link Chain (214) when necessary.



Visit us at: [www.evofitness.com](http://www.evofitness.com)

## WARRANTY

**Warranty Coverage:** Smooth Fitness, Inc. ("Smooth fitness") warrants to the original purchaser that each new product to be free from defects in workmanship and material, under normal use and conditions.

**Period of Coverage:** The Warranty on this product runs for the period of the lifetime of the original purchaser. This is a Parts-Only Warranty, labor is not included. Smooth Fitness reserves the right to inspect damaged parts for misuse.

**Light Institutional Warranty:** This product carries a warranty for light commercial applications (non-membership selling gyms). Parts are warranted for a period of one year including frame, pulleys, bearings and all other mechanical parts. Upholstery and cables carry a 90-day warranty. This is a Parts-Only Warranty. Customer is responsible for shipping charges on parts going outside the continental United States.

It is recommend that the Original Receipt be kept with the product manual.

**Remedy Provide by Smooth Fitness:** Smooth Fitness will provide a replacement part free of charge if a defect is found during the Warranty period. You must pay and charges for shipping and handling outside of the Continental United States. To obtain service call your local EVO dealer or contact us directly at 888-800-1167.

Parts repaired or replaced pursuant to this Warranty shall be warranted for the unexpired portion of the Warranty applying to the original product. Any technical advice furnished before or after delivery in regard to the use or application of Smooth Fitness products is furnished without charge and on the basis that it represents Smooth Fitness' best judgment under the circumstances but that the advice is used at your sole risk.

**Procedure for Obtaining Your Remedy Under This Warranty:** To obtain service call your local EVO dealer or contact us directly at 888-800-1167. To help us assist you, please have the following information ready:

Model name or number from the cover of the manual;  
Serial number located on the frame of the unit; and  
The part description and the order number.

**Limitations on Warranty:** This Warranty does not apply to you if you have purchased this product for resale. This Warranty does not cover any problems or failures that are caused by accident, improper assembly, failure to observe cautionary labels on the product, failure to operate the product correctly, abuse or freight damage. Smooth Fitness does not warrant against any damage or defects that may result from repair or alternations made to the product by an unauthorized repair facility. The Warranty shall terminate if you sell or otherwise transfer this product. This Warranty does not apply to any product shipped or handled outside the United States. This Warranty does not apply if the product is used for rental or commercial use. Consequential and incidental damages are not recoverable under this Warranty. (Some states do not allow the exclusion or limitation of incidental or consequential damages, so the above limitation or exclusion may not apply to you.)

THIS WARRANTY IS EXPRESSLY IN LIEU OF ALL OTHER EXPRESS WARRANTIES. ALL IMPLIED WARRANTIES, INCLUDING WARRANTIES OF MERCHANTABILITY OR FITNESS FOR ANY PARTICULAR PURPOSE, ARE LIMITED IN DURATION TO ONE (1) YEAR FROM THE EFFECTIVE DATE OF THIS WARRANTY. SMOOTH FITNESS IS NOT LIABLE FOR CONSEQUENTIAL OR INCIDENTAL DAMAGES RESULTING FROM ANY DEFECT IN PARTS NOR FOR ANY BREACH OF EXPRESS OR IMPLIED WARRANTIES. SMOOTH FITNESS' SOLE LIABILITY UNDER THIS WARRANTY IS LIMITED TO THE TERMS DESCRIBED IN THIS FORM. THIS WARRANTY GIVES YOU SPECIFIC LEGAL RIGHTS, AND YOU MAY ALSO HAVE OTHER RIGHTS WHICH VARY FROM STATE TO STATE.

For assistance with assembly or to order replacement parts, simply call your local EVO dealer or contact us directly at 888-800-1167, Monday through Friday (excluding holidays) 8:00 am to 4:00 pm eastern daylight time.

## IMPORTANT STEPS

### Warning:

Before using this product, please consult your personal physician for a complete physical examination. Frequent and strenuous exercise should be approved by your doctor first. If any discomfort should result from your use of this product, stop exercising and consult your doctor. Proper usage of this product is essential. Please read your manual carefully before exercising.

Please keep all children away from the equipment during use and when equipment is unattended.

Always wear appropriate clothing, including athletic shoes, when exercising. Do not wear loose clothing that could become caught during exercising.

Make sure that all bolts and nuts are tightened when equipment is in use. Periodic maintenance is required on all exercise equipment to keep it in good condition.

### Before beginning:

How you begin your exercise program depends on your physical condition. If you have been inactive for several years, or are severely overweight, you must start slowly and increase your time gradually, a few minutes per week.

Initially you may be able to exercise only for a few minutes in your target zone. However, your aerobic fitness will improve over the next six to eight weeks. Don't be discouraged if it takes longer. It's important to work at your own pace. Ultimately, you'll be able to exercise continuously for 30 minutes. And the better your aerobic fitness, the harder you will have to work to stay in your target zone. But remember these essentials:

- Contact your physician before starting a workout or training program. Have your doctor review your training and diet programs to advise you of a workout routine you should adopt.
- Begin your training program slowly with realistic goals that have been set by you and your doctor.
- Supplement your program with some type of aerobic exercise such as walking, jogging, swimming, dancing and/or bicycling. Monitor your pulse frequently. If you do not have an electronic heart rate monitor, have your physician show you the proper way to manually check your pulse by using your wrist or neck. Establish your target heart rate based on your age and condition.
- Drink plenty of fluids during the course of your routine. You must replace the water content lost from excessive exercising to avoid dehydration. Avoid drinking large amounts of cold liquids. Fluids should be at room temperature when consumed.



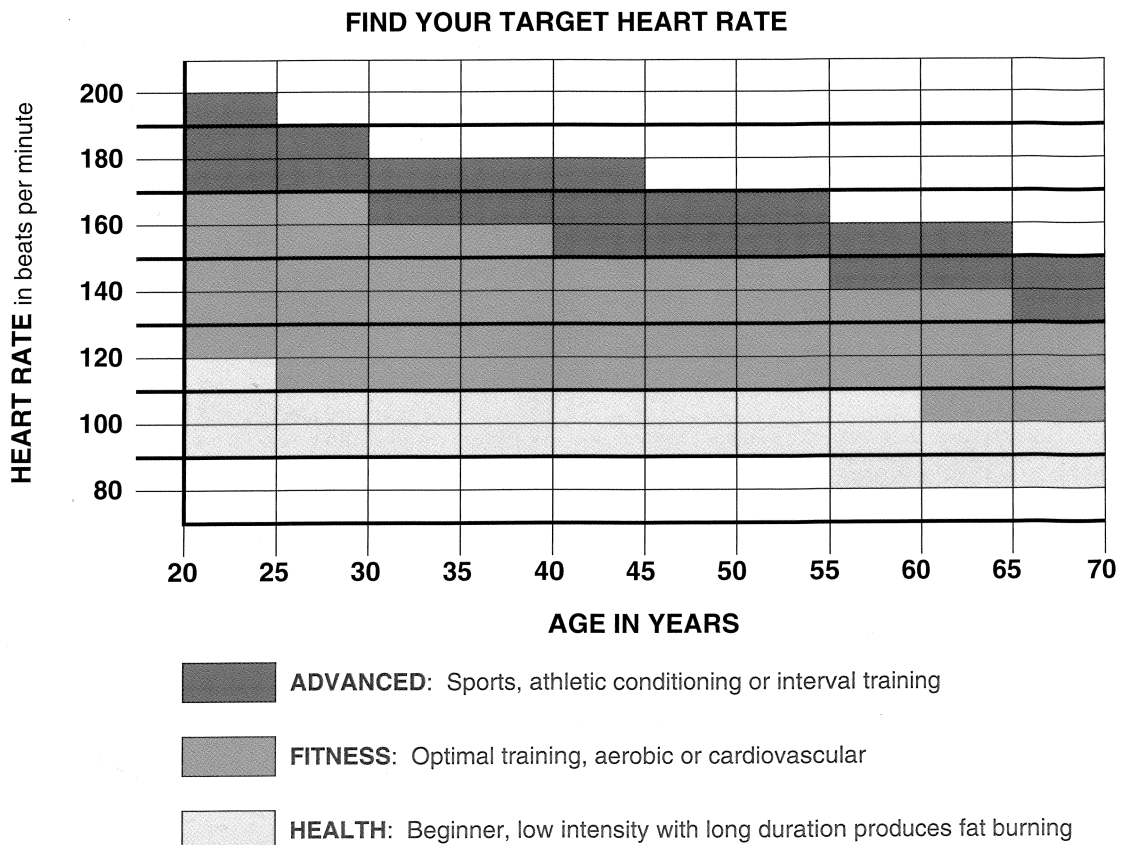
The Surgeon General  
has determined that lack  
of physical activity is  
detrimental to your health.™

## TARGET HEART RATE

### Finding your pulse:

To make sure your heart is beating in its target zone, you'll need to know how to monitor your heart rate. The easiest way is to feel the pulse in the carotid artery on either side of your neck, between the windpipe and the large neck muscles. Count the number of beats in ten seconds, and then multiply that number by six. This gives you the number of beats per minute.

How fast should your heart beat during aerobic exercise? Fast enough to reach and stay in its "target zone," a range of beats per minute that is largely determined by your age and physical condition. To determine your target zone, consult the chart we have provided.

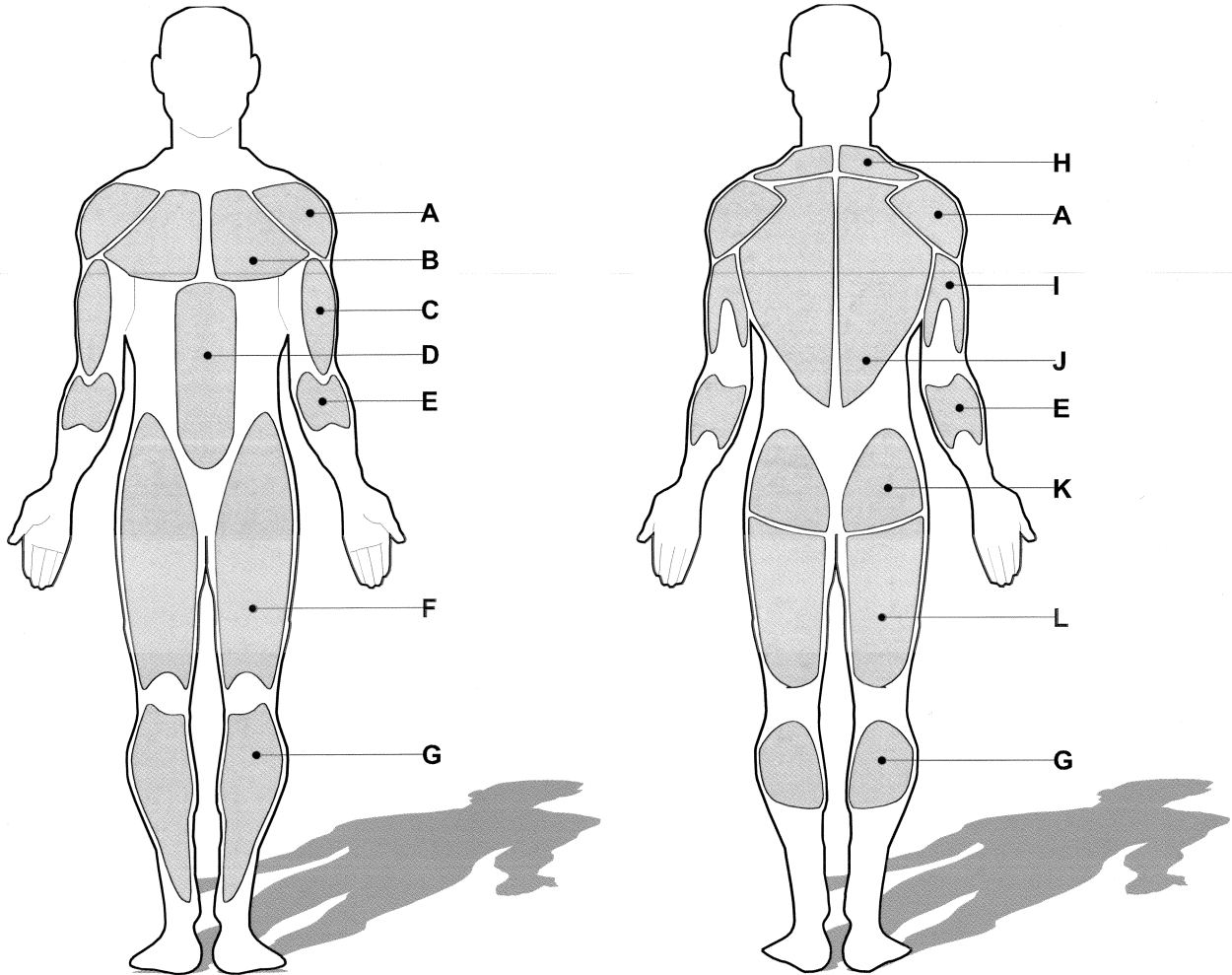


### Aerobic exercise:

Is any sustained activity that sends oxygen to your muscles via your heart and lungs. It will improve the fitness of your lungs and heart: your body's most important muscle. Aerobic fitness is promoted by any activity that uses your large muscle groups - arms, legs or buttocks, for example. Your heart beats quickly and you breathe deeply. An aerobic exercise should be part of your entire exercise routine.

**MUSCLE CHART****Targeted muscle groups:**

The exercise routine that is performed on this product will develop upper and lower body muscle groups. These muscle groups are shown in gray color on the chart below.



Shoulder muscles	<b>A</b>	<b>B</b>	Pectoral muscles
Bicep muscle	<b>C</b>	<b>D</b>	Abdominal muscles
Forearm muscles	<b>E</b>	<b>F</b>	Quadricep muscles
Calf muscles	<b>G</b>	<b>H</b>	Trapezius muscles
Tricep muscles	<b>I</b>	<b>J</b>	Back muscles
Gluteal muscles	<b>K</b>	<b>L</b>	Hamstring muscles

Visit us at: [www.evofitness.com](http://www.evofitness.com)

## STRETCHING ROUTINE

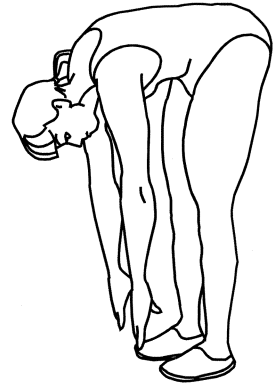
### Warm up and cool down:

A successful exercise program consists of a warm-up, aerobic exercise, and a cool-down. Do the entire program at least two and preferably three times a week, resting for a day between workouts. After several months, you can increase your workouts to four or five times per week.

Warming up is an important part of your workout, and should begin every session. It prepares your body for more strenuous exercise by heating up and stretching out your muscles, increasing your circulation and pulse rate, and delivering more oxygen to your muscles. At the end of your workout, repeat these exercises to reduce sore muscle problems. We suggest the warm-up and cool-down exercises on the following pages:

### Toe Touch:

Slowly bend forward from your waist, letting your back and shoulders relax as you stretch toward your toes. Reach down as far as you can and hold for 15 counts.



### Shoulder Lift:

Lift your right shoulder up toward your ear for one count. Then lift your left shoulder up for one count as you lower your right shoulder.



### Head Roll:

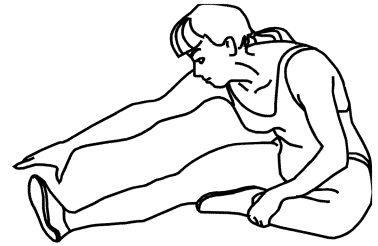
Rotate your head to the right for one count, feeling the stretch up the left side of your neck. Next, rotate your head back for one count, stretching your chin to the ceiling and letting your mouth open. Rotate your head to the left for one count, and finally, drop your head to your chest for one count.





**STRETCHING ROUTINE****Hamstring Stretch:**

Sit with your right leg extended. Rest the sole of your left foot against your right inner thigh. Stretch toward your toe as far as possible. Hold for 15 counts. Relax and then repeat with left leg extended.

**Inner Thigh Stretch:**

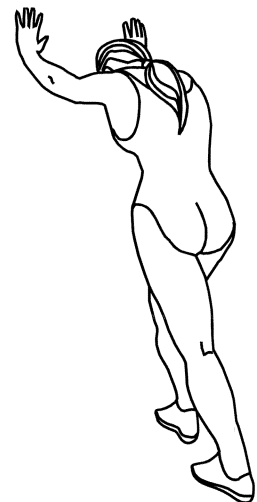
Sit with the soles of your feet together with your knees pointing outward. Pull your feet as close into your groin as possible. Gently push your knees towards the floor. Hold for 15 counts.

**Side Stretch:**

Open your arms to the side and continue lifting them until they are over your head. Reach your right arm as far upward toward the ceiling as you can for one count. Feel the stretch up your right side. Repeat this action with your left arm.

**Calf-Achilles Stretch:**

Lean against a wall with your left leg in front of the right and your arms forward. Keep your right leg straight and the left foot on the floor; then bend the left leg and lean forward by moving your hips toward the wall. Hold, and then repeat on the other side for 15 counts.









[www.evofitness.com](http://www.evofitness.com)

Smooth Fitness  
112 Gaither Drive  
Mt. Laurel, NJ 08054

Toll Free Customer Service:  
**1.888.800.1167**

Website:  
**[www.evofitness.com](http://www.evofitness.com)**

## Free Manuals Download Website

<http://myh66.com>

<http://usermanuals.us>

<http://www.somanuals.com>

<http://www.4manuals.cc>

<http://www.manual-lib.com>

<http://www.404manual.com>

<http://www.luxmanual.com>

<http://aubethermostatmanual.com>

Golf course search by state

<http://golfingnear.com>

Email search by domain

<http://emailbydomain.com>

Auto manuals search

<http://auto.somanuals.com>

TV manuals search

<http://tv.somanuals.com>