

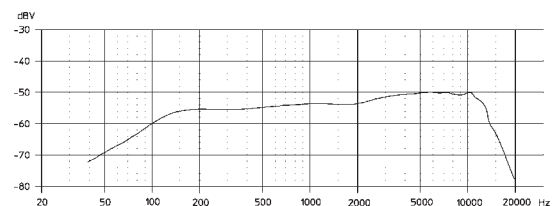
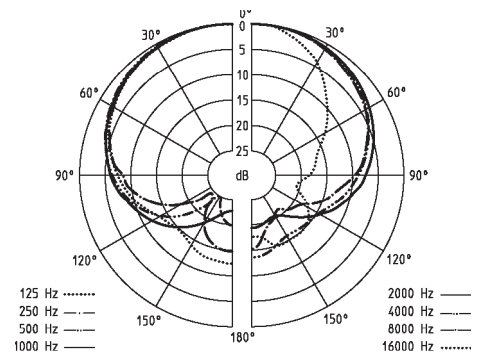
General Description

The cardioid e 935 is a fully professional vocal microphone, developed to cut through high on-stage levels.



Technical Data

Pick-up pattern cardioid
 Frequency response 40 – 18,000 Hz
 Sensitivity
 (free field, no load, 1 kHz) 2.8 mV/Pa at 1 kHz =
 -51 dB (0 dB = 1V/Pa)
 Nominal impedance 350 Ω
 Min. terminating impedance 1 kΩ
 Dimensions 47 x 181 mm
 Weight 330 g



Features

- Rugged metal body
- Advanced shock-mount design
- Consistent on-/off-axis response
- Hum compensating coil
- Delivery includes a pouch and a microphone clamp

Profile

Cardioid professional vocal microphone, hum compensating coil, frequency response 40 – 18,000 Hz, sensitivity (free field, no load) 2.8 mV/Pa at 1 kHz = -51 dB (0 dB = 1V/Pa), nominal impedance 350 Ω, min. terminating impedance 1 kΩ, dimensions 47 x 181 mm, weight 330 g.

Free Manuals Download Website

<http://myh66.com>

<http://usermanuals.us>

<http://www.somanuals.com>

<http://www.4manuals.cc>

<http://www.manual-lib.com>

<http://www.404manual.com>

<http://www.luxmanual.com>

<http://aubethermostatmanual.com>

Golf course search by state

<http://golfingnear.com>

Email search by domain

<http://emailbydomain.com>

Auto manuals search

<http://auto.somanuals.com>

TV manuals search

<http://tv.somanuals.com>