

VIKING™ HYDRO

**For Serial Nos.
920,000 & Higher**
Part No. 4500-693 Rev. A

Operator's Manual

⚠ WARNING

**CALIFORNIA
Proposition 65 Warning**

The engine exhaust from this product contains chemicals known to the State of California to cause cancer, birth defects, or other reproductive harm.

Important: The engine in this product is not equipped with a spark arrester muffler. It is a violation of California Public Resource Code (CPRC) Section 4442 to use or operate this engine on any forest-covered, brush-covered, or grass-covered land as defined in CPRC 4126. Other states or federal areas may have similar laws.

To acquire a spark arrester for your unit, see your Engine Service Dealer.

This spark ignition system complies with the Canadian standard ICES-002. Ce système d'allumage par étincelle de véhicule est conforme à la norme NMB-002 du Canada.

The enclosed Engine Owner's Manual is supplied for information regarding The U.S. Environmental Protection Agency (EPA) and the California Emission Control Regulation of emission systems, maintenance and warranty.

Keep this engine Owner's Manual with your unit. Should this engine Owner's Manual become damaged or illegible, replace immediately. Replacements may be ordered through the engine manufacturer.

Exmark reserves the right to make changes or add improvements to its products at any time without incurring any obligation to make such changes to products manufactured previously. Exmark, or its distributors and dealers, accept no responsibility for variations which may be evident in the actual specifications of its products and the statements and descriptions contained in this publication.



If your Exmark dealer does not have the Exmark part in stock, Exmark will get the parts to the dealer the next business day or the part will be FREE Guaranteed!! (Some restrictions apply. See your participating Exmark Dealer for details.)

Introduction

CONGRATULATIONS on the purchase of your Exmark Mower. This product has been carefully designed and manufactured to give you a maximum amount of dependability and years of trouble-free operation.

This manual contains operating, maintenance, adjustment, and safety instructions for your Exmark mower.

BEFORE OPERATING YOUR MOWER, CAREFULLY READ THIS MANUAL IN ITS ENTIRETY.

By following the operating, maintenance, and safety instructions, you will prolong the life of your mower, maintain its maximum efficiency, and promote safe operation.

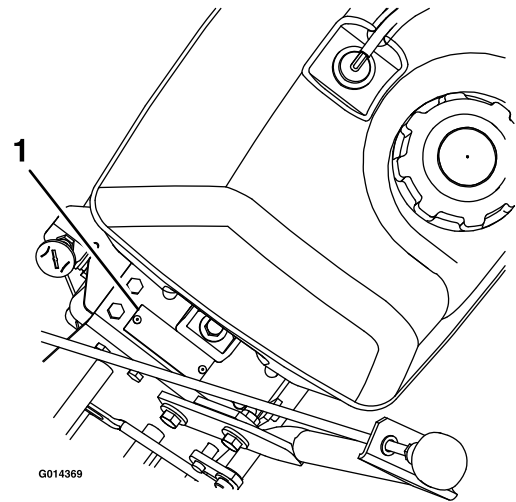
If additional information is needed, or should you require trained mechanic service, contact your authorized Exmark equipment dealer or distributor. Exmark parts manuals are available online at <http://www.exmark.com/manuals.htm>

All Exmark equipment dealers and distributors are kept informed of the latest methods of servicing and are equipped to provide prompt and efficient service in the field or at their service stations. They carry ample stock of service parts or can secure them promptly for you from the factory.

All Exmark parts are thoroughly tested and inspected before leaving the factory, however, attention is required on your part if you are to obtain the fullest measure of satisfaction and performance.

Whenever you need service, genuine Exmark parts, or additional information, contact an Authorized Service Dealer or Exmark Customer Service and have the model and serial numbers of your product ready.

Figure 1 identifies the location of the model and serial numbers on the product. Write the numbers in the space provided.



G014369

Figure 1

1. Model and serial number location

Model No. _____
Serial No. _____

Contents

Introduction	3	Engine to Mower Deck Belt	
Safety	5	Adjustment	31
Safety Alert Symbol	5	Blade Brake Adjustment	32
Safe Operating Practices	5	Belt Guide Adjustment	33
Safety and Instructional Decals	10	Pump Drive Belt Tension	33
Specifications	13	Hydro Drive Linkage Adjustment	33
Model Numbers	13	Tracking Adjustment	36
Systems	13	Hydro Pump Spring Tension Setting	36
Dimensions	14	Park Brake Adjustment	36
Torque Requirements	14	Cleaning	37
Product Overview	15	Clean Engine Air Cooling System	37
Operation	15	Remove Engine Shrouds and Clean Cooling	
Controls	15	Fins	37
Pre-Start	17	Clean Grass Build-Up Under Deck	37
Operating Instructions	17	Waste Disposal	37
Transporting	19	Troubleshooting	38
Maintenance	20	Schematics	40
Recommended Maintenance Schedule(s)	20		
Periodic Maintenance	21		
Check Engine Oil Level	21		
Check Mower Blades	21		
Check Safety Interlock System	22		
Check for Loose Hardware	22		
Service Air Cleaner	23		
Change Engine Oil	23		
Check Hydraulic Oil Level	23		
Check Tire Pressures	23		
Check Condition Of Belts	23		
Lubricate Grease Fittings	24		
Check Spark Plugs	24		
Change Hydraulic System Filter	24		
Replace Emissions Air Intake Filter	26		
Wheel Hub-Slotted Nut Torque			
Specification	26		
Thread Locking Adhesives	27		
Mobil HTS Grease (Or Food-Grade			
Anti-seize)	27		
Copper-Based Anti-seize	27		
Dielectric Grease	27		
Adjustments	28		
Adjusting the Cutting Height	28		
Adjusting the Axle Position	29		
Adjusting the Number of Spacers below			
Caster Support Hub	30		
Adjusting the Cutting Height with Blade			
Spacers	30		
PTO Engagement Linkage			
Adjustment	31		
PTO Safety Switch Adjustment	31		

Safety

Safety Alert Symbol

This lawn mower meets or exceeds the B71.4 specifications of the American National Standards Institute in effect at the time of production.

Exmark designed and tested this lawn mower to offer reasonably safe service; however, failure to comply with the following instructions may result in personal injury.

This Safety Alert Symbol (Figure 2) is used both in this manual and on the machine to identify important safety messages which must be followed to avoid accidents.

This symbol means: **ATTENTION! BECOME ALERT! YOUR SAFETY IS INVOLVED!**



Figure 2

1. Safety alert symbol

The safety alert symbol appears above information which alerts you to unsafe actions or situations and will be followed by the word **DANGER**, **WARNING**, or **CAUTION**.

DANGER: White lettering / Red background. Indicates an imminently hazardous situation which, if not avoided, **Will** result in death or serious injury.

WARNING: Black lettering / Orange background. Indicates a potentially hazardous situation which, if not avoided, **Could** result in death or serious injury.

CAUTION: Black lettering / Yellow background. Indicates a potentially hazardous situation which, if not avoided, **May** result in minor or moderate injury.

This manual uses two other words to highlight information. **Important** calls attention to special mechanical information and **Note** emphasizes general information worthy of special attention.

Safe Operating Practices

Training

- not read English it is the owner's responsibility to explain this material to them.
- Become familiar with the safe operation of the equipment, operator controls, and safety signs.
- All operators and mechanics should be trained. The owner is responsible for training the users.
- Never let children or untrained people operate or service the equipment. Local regulations may restrict the age of the operator.
- Only adults and mature teenagers should operate a mower, and even mature teenagers should have adult supervision. Be sure a teenager:
 1. has read and understands the Operator's Manual and recognizes the risks involved;
 2. is sufficiently mature to use caution; and
 3. is of sufficient size and weight to operate the controls comfortably and to manage the mower without taking risks.
- The owner/user can prevent and is responsible for accidents or injuries occurring to himself or herself, other people or property.

Preparation

- Evaluate the terrain to determine what accessories and attachments are needed to properly and safely perform the job. Only use accessories and attachments approved by Exmark.
- Wear appropriate clothing including safety glasses, substantial footwear, long trousers, and hearing protection. Do Not operate when barefoot or when wearing open sandals. Long hair, loose clothing or jewelry may get tangled in moving parts.

▲ CAUTION

This machine produces sound levels in excess of 85 dBA at the operator's ear and can cause hearing loss through extended periods of exposure.

Wear hearing protection when operating this machine.

- Inspect the area where the equipment is to be used and remove all rocks, toys, sticks, wires, bones, and other foreign objects which can be thrown by the machine and may cause personal injury to the operator or bystanders.

⚠ DANGER

In certain conditions gasoline is extremely flammable and vapors are explosive.

A fire or explosion from gasoline can burn you, others, and cause property damage.

- Fill the fuel tank outdoors on level ground, in an open area, when the engine is cold. Wipe up any gasoline that spills.
- Never refill the fuel tank or drain the machine indoors or inside an enclosed trailer.
- Do Not fill the fuel tank completely full. Fill the fuel tank to the bottom of the filler neck. The empty space in the tank allows gasoline to expand. Overfilling may result in fuel leakage or damage to the engine or emission system.
- Never smoke when handling gasoline, and stay away from an open flame or where gasoline fumes may be ignited by spark.
- Store gasoline in an approved container and keep it out of the reach of children.
- Add fuel before starting the engine. Never remove the cap of the fuel tank or add fuel when engine is running or when the engine is hot.
- If fuel is spilled, Do Not attempt to start the engine. Move away from the area of the spill and avoid creating any source of ignition until fuel vapors have dissipated.
- Do Not operate without entire exhaust system in place and in proper working condition.

⚠ DANGER

In certain conditions during fueling, static electricity can be released causing a spark which can ignite gasoline vapors. A fire or explosion from gasoline can burn you and others and cause property damage.

- Always place gasoline containers on the ground away from your vehicle before filling.
- Do Not fill gasoline containers inside a vehicle or on a truck or trailer bed because interior carpets or plastic truck bed liners may insulate the container and slow the loss of any static charge.
- When practical, remove gas-powered equipment from the truck or trailer and refuel the equipment with its wheels on the ground.
- If this is not possible, then refuel such equipment on a truck or trailer from a portable container, rather than from a gasoline dispenser nozzle.
- If a gasoline dispenser nozzle must be used, keep the nozzle in contact with the rim of the fuel tank or container opening at all times until fueling is complete.

⚠ WARNING

Gasoline is harmful or fatal if swallowed. Long-term exposure to vapors has caused cancer in laboratory animals. Failure to use caution may cause serious injury or illness.

- Avoid prolonged breathing of vapors.
 - Keep face away from nozzle and gas tank/container opening.
 - Keep away from eyes and skin.
 - Never siphon by mouth.
-
- Check that the operator's presence controls, safety switches, and shields are attached and functioning properly. Do Not operate unless they are functioning properly.

Operation

⚠ WARNING

Operating engine parts, especially the muffler, become extremely hot. Severe burns can occur on contact and debris, such as leaves, grass, brush, etc. can catch fire.

- Allow engine parts, especially the muffler, to cool before touching.
- Remove accumulated debris from muffler and engine area.
- Install and maintain in working order a spark arrester before using equipment on forest-covered, grass-covered, or brush-covered unimproved land.

⚠ WARNING

Engine exhaust contains carbon monoxide, which is an odorless deadly poison that can kill you.

Do Not run engine indoors or in a small confined area where dangerous carbon monoxide fumes can collect.

- Operate only in daylight or good artificial light, keeping away from holes and hidden hazards.
- Be sure all drives are in neutral and parking brake is engaged before starting engine.
- Never raise deck with blades running.
- Never operate the mower with damaged guards, shields, or covers. Always have safety shields, guards, switches and other devices in place and in proper working condition.
- Never mow with the discharge deflector raised, removed or altered unless there is a grass collection system or mulch kit in place and working properly.
- Do Not change the engine governor setting or overspeed the engine.
- Park machine on level ground. Stop engine, wait for all moving parts to stop, remove key and engage parking brake:
 - Before checking, cleaning or working on the mower.
 - After striking a foreign object or abnormal vibration occurs (inspect the mower for

damage and make repairs before restarting and operating the mower).

- Before clearing blockages.
- Whenever you leave the mower.
- Stop engine, wait for all moving parts to stop, and engage parking brake:
 - Before refueling.
 - Before dumping the grass catcher.
 - Before making height adjustments.

⚠ WARNING

Hands, feet, hair, clothing, or accessories can become entangled in rotating parts. Contact with the rotating parts can cause traumatic amputation or severe lacerations.

- Do Not operate the machine without guards, shields, and safety devices in place and working properly.
- Keep hands, feet, hair, jewelry, or clothing away from rotating parts.
- **DO NOT** operate the mower when people, especially children, or pets are in the area.
- Be alert, slow down and use caution when making turns. Look behind and to the side before changing directions.
- Stop the blades, slow down, and use caution when crossing surfaces other than grass and when transporting the mower to and from the area to be mowed.
- Be aware of the mower discharge path and direct discharge away from others.
- Do Not operate the mower under the influence of alcohol or drugs.
- Use extreme care when loading or unloading the machine into a trailer or truck.
- Use care when approaching blind corners, shrubs, trees, or other objects that may obscure vision.

Slope Operation

Use **Extreme** caution when mowing and/or turning on slopes as loss of traction and/or tip-over could occur. The operator is responsible for safe operation on slopes.

Safety

▲ DANGER

Operating on wet grass or steep slopes can cause sliding and loss of control. Loss of control and/or loss of operator's footing could result in a fall with an arm or leg getting under the mower or engine deck which may result in serious injury, death or drowning.

- **Mow across slopes, never up and down.**
- **Do Not mow slopes when grass is wet.**
- **Do Not mow near drop-offs or near water.**
- **Do Not mow slopes greater than 20 degrees.**
- **Reduce speed and use extreme caution on slopes.**
- **Avoid sudden turns or rapid speed changes.**
- See inside the back cover to determine the approximate slope angle of the area to be mowed.
- Remove or mark obstacles such as rocks, tree limbs, etc. from the mowing area. Tall grass can hide obstacles.
- Watch for ditches, holes, rocks, dips and rises that change the operating angle, as rough terrain could overturn the machine.
- Avoid sudden starts when mowing uphill because the mower may tip backwards.
- Be aware that operating on wet grass, across steep slopes or downhill may cause the mower to lose traction. Loss of traction to the drive wheels may result in sliding and a loss of braking and steering.
- Always avoid sudden starting or stopping on a slope. If tires lose traction, disengage the blades and proceed slowly off the slope.
- Follow the manufacturer's recommendations for wheel weights or counter weights to improve stability.
- Use extreme care with grass catchers or attachments. These can change the stability of the machine and cause loss of control.

Maintenance and Storage

- Disengage drives, lower implement, set parking brake, stop engine and remove key or disconnect spark plug wire. Wait for all movement to stop before adjusting, cleaning or repairing.

- Keep engine and engine area free from accumulation of grass, leaves, excessive grease or oil, and other debris which can accumulate in these areas. These materials can become combustible and may result in a fire.
- Let engine cool before storing and do not store near flame or any enclosed area where open pilot lights or heat appliances are present.
- Shut off fuel while storing or transporting. Do Not store fuel near flames or drain indoors.
- Park machine on level ground. Never allow untrained personnel to service machine.
- Use jack stands to support components when required.
- Carefully release pressure from components with stored energy.
- Use care when checking blades. Wrap the blade(s) or wear gloves, and use caution when servicing them. Only replace damaged blades. Never straighten or weld them.
- Keep hands and feet away from moving parts. If possible, do not make adjustments with the engine running.
- Keep all guards, shields and all safety devices in place and in safe working condition.
- Check all bolts frequently to maintain proper tightness.
- Frequently check for worn or deteriorating components that could create a hazard.

▲ WARNING

Removing standard original equipment parts, or using non-Exmark replacement parts and accessories may alter the warranty, traction, and safety of the machine. Failure to use original Exmark parts could cause serious injury or death.

Replace all parts including, but not limited to, tires, belts, and blades with original Exmark parts.

⚠ WARNING

Hydraulic fluid escaping under pressure can penetrate skin and cause injury. Fluid accidentally injected into the skin must be surgically removed within a few hours by a doctor familiar with this form of injury or gangrene may result.

- If equipped, make sure all hydraulic fluid hoses and lines are in good condition and all hydraulic connections and fittings are tight before applying pressure to hydraulic system.
- Keep body and hands away from pinhole leaks or nozzles that eject high pressure hydraulic fluid.
- Use cardboard or paper, not your hands, to find hydraulic leaks.
- Safely relieve all pressure in the hydraulic system by placing the motion control levers in neutral and shutting off the engine before performing any work on the hydraulic system.

Safety and Instructional Decals

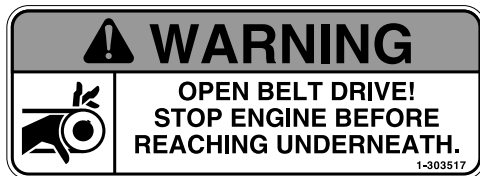
- Keep all safety signs legible. Remove all grease, dirt and debris from safety signs and instructional labels.
- Replace all worn, damaged, or missing safety signs.
- When replacement components are installed, be sure that current safety signs are affixed to the replaced components.
- If an attachment or accessory has been installed, make sure current safety signs are visible.
- New safety signs may be obtained from your authorized Exmark equipment dealer or distributor or from Exmark Mfg. Co. Inc.
- Safety signs may be affixed by peeling off the backing to expose the adhesive surface. Apply only to a clean, dry surface. Smooth to remove any air bubbles.
- Familiarize yourself with the following safety signs and instruction labels. They are critical to the safe operation of your Exmark commercial mower.



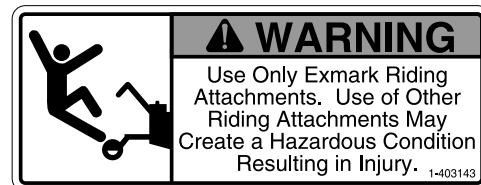
1-303508



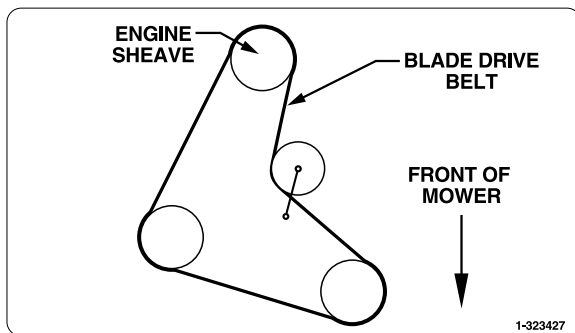
1-403005



1-303517



1-403143



1-323427

36 inch Deck Units Only



1-413214



98-5954



103-1798



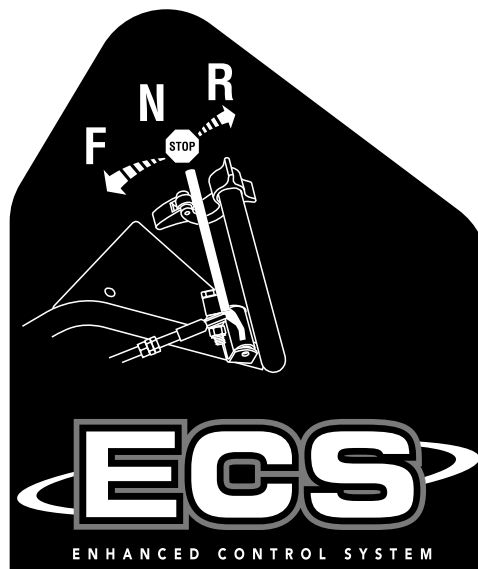
103-2196



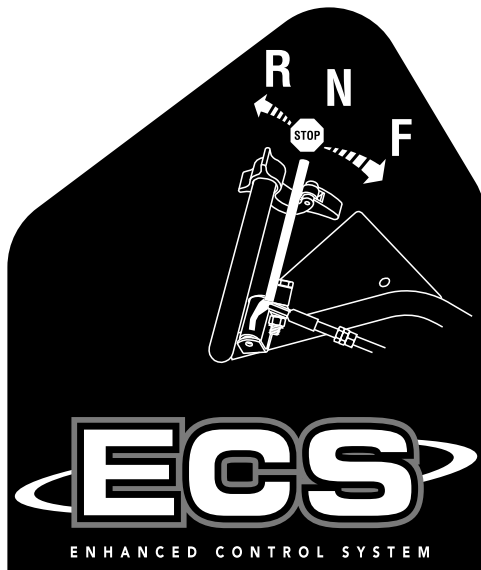
103-2076



103-2103



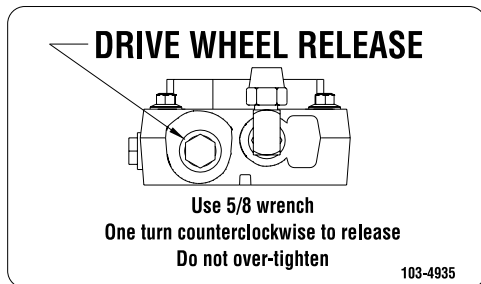
103-2242



103-2243



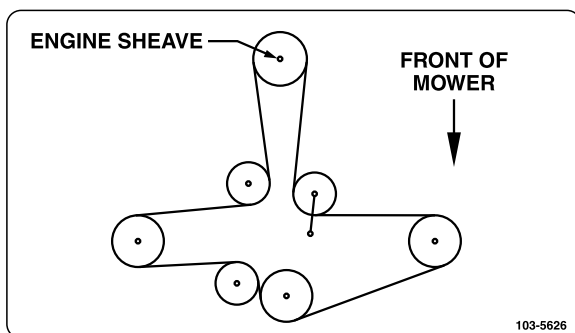
116-0404



103-4935



117-2718



103-5626

48 inch Deck Units Only

Specifications

Model Numbers

Serial Nos: 920,000 and Higher
 VH16KA362; VH16KA483; VH16KA362CA; VH16KA483CA

Systems

Engine

- Engine Specifications: See your Engine Owner's Manual
- Engine Oil Type: Exmark 4-Cycle Premium Engine Oil
- RPM: Full Speed: 3600 (No Load)
 Idle: 1550 RPM

Fuel System

- Capacity: 5.0 gal. (18.9 L)
- Type of Fuel: Regular unleaded gasoline, 87 octane or higher; containing no more than 10% methanol or ethanol.
- Fuel Filter: Replaceable In-line
- Fuel Shut-Off Valve: 1/4 turn increments

Safety Interlock System:

- Operator must have OPC (Operator Presence Control) levers held in contact with handle grips, speed control lever in neutral, and PTO disengaged to start engine. Release of OPC levers will cause the engine to stop if speed control lever is not in neutral and/or PTO is engaged.
- Park brake must be disengaged to move speed control out of neutral or engine will kill.

Steering/Brake Controls

Fingertip drive control levers provide independent speed control, braking and neutral to each drive wheel for moving forward or reverse, stopping and power turning.

Transmission

- Two Hydro Gear variable displacement piston pumps independently coupled to two high efficiency Parker wheel drive motors.
- Hydraulic Oil: Use Exmark Premium Hydro Oil.
- Hydraulic Oil Capacity: 2.4 qt. (2.2 L)
- Hydraulic Filter is replaceable cartridge type.
 P/N 109-4180: 25 microns, 10 psi bypass (Summer use above 32°F (0°C))
 P/N 1-523541: 40 microns, 18 psi bypass (Winter use below 32°F (0°C))
- Speeds:
 - 0-6.2 mph (10.0 km/hr) forward.
 - 0-2.2 mph (3.5 km/hr) reverse.

Wheel Drive System

Drive wheels are direct coupled to Parker wheel drive motors with 1 inch (25.4 mm) tapered shaft.

Tires & Wheels

	Drive	Front Caster
	Pneumatic (Air-Filled)	Semi-Pneumatic
Quantity	2	2
Tread	Turf Master	Smooth
Size	16 x 6.50-8	9 x 3.50-4
Ply Rating	4	
Pressure	14 psi (97 kPa)	

Specifications

Cutting Deck

- Cutting Width:
 - 36 inch Deck: 35.38 inches (89.9 cm)
 - 48 inch Deck: 47.25 inches (120.0 cm)
- Discharge: Side
- Blade Size:
 - 36 inch Deck: 18.00 inches (45.7 cm)—
Quantity: 2
 - 48 inch Deck: 16.25 inches (41.3 cm)—
Quantity: 3
- Deck Drive: Manual engagement of belt with over-center lock. Blade belt tension is adjustable via turnbuckle.
- Blade Brake: When the PTO engagement control is moved to the disengaged position a friction brake pad stops the rotation of the blades.
- Deck Mounting: Bolted directly to engine deck.
- Deck Depth:
 - 36 inch Deck: 5.0 inches (12.7 cm)
 - 48 inch Deck: 5.0 inches (12.7 cm)
- Cutting Height Adjustment:
Adjusts from 1 inch (2.5 cm) to 4 1/4 inches (10.8 cm) in 1/4 inch (6.4 mm) increments by various adjustments of caster spacers, blade spacers, and axle height.

Tread Width: (Outside to Outside of Tires, Widthwise)

36 inch Deck	48 inch Deck
35.6 inches (90.4 cm)	40.4 inches (102.6 cm)

Curb Weight:

36 inch Deck	48 inch Deck
573 lb (260 kg)	633 lb (287 kg)

Torque Requirements

Bolt Location	Torque
Blade/Cutter Housing Spindle Bolt	75-80 ft-lb (102-109 N-m)
Caster Bracket Mounts	30-35 ft-lb (41-48 N-m)
Mower Deck/Engine Deck Mount	30-35 ft-lb (41-48 N-m)
Engine Mounting Bolts	17-23 ft-lb (23-31 N-m)
Wheel Lug Nuts	90-95 ft-lb (122-129 N-m)
Wheel Hub Slotted Nut (Style A)	140-155 ft-lb (190-210 N-m)
Wheel Hub Slotted Nut (Style B)	minimum 100 ft-lb (136 N-m)
Wheel Motor Mounting Bolts	30-35 ft-lb (41-48 N-m)

Dimensions

Overall Width:

	36 inch Deck	48 inch Deck
Deflector Up	36.4 inches (92.5 cm)	48.1 inches (122.2 cm)
Deflector Down	47.0 inches (119.4 cm)	57.9 inches (147.1 cm)

Overall Length:

36 inch Deck	48 inch Deck
77.3 inches (196.3 cm)	72.3 inches (183.6 cm)

Overall Height:

36 inch Deck	48 inch Deck
43.2 inches (109.7 cm)	43.2 inches (109.7 cm)

Product Overview

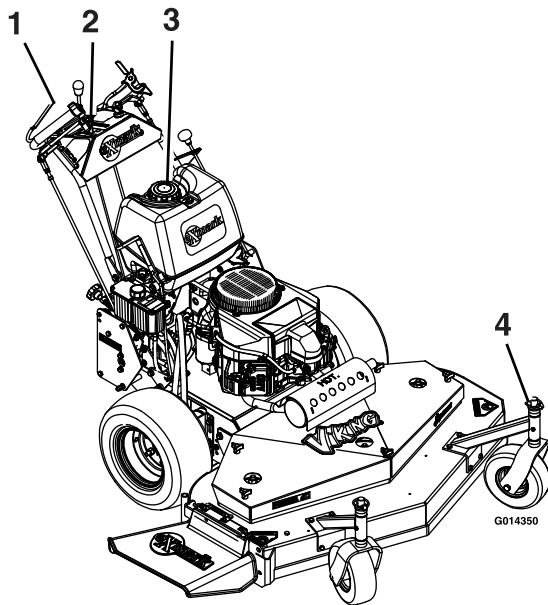


Figure 3

- | | |
|----------------|------------------|
| 1. ECS Handles | 3. Fuel Cap |
| 2. Controls | 4. Blade Spacers |

Operation

Note: Determine the left and right sides of the machine from the normal operating position.

Controls

Operator Presence Control (OPC) Levers

Located on the upper handle assembly directly above the handle grips.

When these levers are depressed, the OPC system senses that the operator is in the normal operator's position. When the levers are released, the OPC system senses that the operator has moved from the normal operating position and will kill the engine if either the speed control lever is not in the neutral position or the PTO is engaged (see Figure 4).

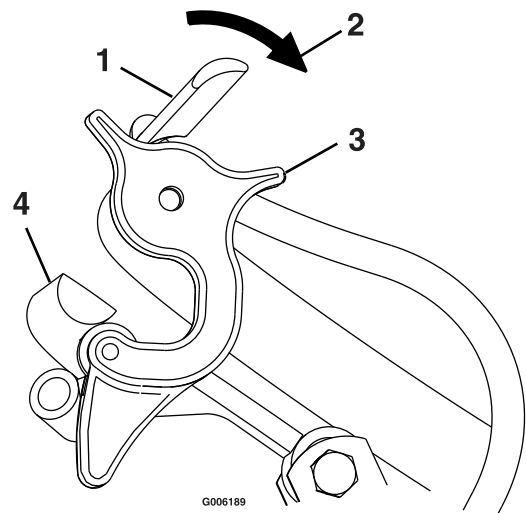


Figure 4

- | | |
|---|------------------------------------|
| 1. OPC Lever | 3. Neutral Lock Latch |
| 2. Rotate neutral lock latch downward for neutral lock position | 4. Drive Lever in neutral position |

Drive Levers

Located on each side of the upper handle assembly ahead of and below the handle grips.

These levers individually control the speed and direction of each drive wheel. When the speed control lever is moved out of the neutral position and the neutral lock latches are moved into the drive position,

Operation

as shown in Figure 4, and the drive levers are released, the drive wheels are engaged in the forward direction.

Squeezing the left hand and/or right hand lever causes the left hand and/or right hand drive wheel respectively to slow down, stop, or reverse, depending on how far each drive lever is “squeezed”. Squeezing the drive levers beyond the neutral position causes the drive wheels to engage in the reverse direction regardless of the position of the neutral lock latches and the speed control lever.

Neutral Lock Latch

Located at the end of the handles.

The purpose of these latches is to allow the operator to lock the drive levers in a "neutral" position where neither of the drive wheels are engaged in either a forward or reverse direction (see Figure 4).

Park Brake Lever

Located on the right side of the unit above the hydraulic tank.

The brake lever engages the park brake on the drive wheels.

Pull the lever up and rearward to engage the brake.

Push the lever forward and down to disengage the brake.

When parking on a steep slope, the wheels must be chocked or blocked in addition to the brake being engaged. The unit must be tied down and brake engaged when transporting.

Park brake must be disengaged to move speed control out of neutral or engine will kill.

Choke Control

Located on the front left corner of the fuel tank support.

Choke is used to aid in starting a cold engine. The choke control is pulled out to be in the “ON” position and pushed in to be in the “OFF” position. Do Not run a warm engine with choke in the “ON” position.

Throttle Control

Located on the on the control console right side.

The throttle is used to control engine speed. Moving the throttle control forward will increase engine

speed and moving it to the rear will decrease engine speed. Moving the throttle forward into the detent is full position.

Speed Control Lever

Located in middle of control console.

The speed control lever controls the maximum forward speed and is infinitely variable from neutral 0–6.2 mph (10.0 km/hr).

Park brake must be disengaged to move speed control out of neutral or engine will kill.

“Off-Run” Switch

Located on the control console.

Turn the key to the “Run” position to allow the engine to be started. Turn the key to the “Off” position to shut engine off.

Fuel Shut-Off Valve

Located in the fuel line midway between the tank and engine.

The fuel shut-off valve is used to shut off the flow of fuel when parking inside a building, during transportation to and from the job sites, and when the machine will not be used for a few days.

Rotate valve 1/4 turn clockwise to shut fuel off. Rotate valve 1/4 turn counterclockwise to turn fuel on.

Drive Wheel Release Valves

Located on the top rear corner of the hydrostatic pumps.

Drive wheel release valves are used to release the hydro-static drive system to allow the machine to be moved by hand without the engine running.

With a 5/8 wrench, turn both valves one turn counterclockwise to release the drive system.

Turn clockwise to reset the drive system. **Do Not overtighten.**

Tracking Adjustment Knob

Located on the right-hand side of the rear of the fuel tank support.

The knob can be adjusted so that machine will “track” straight ahead with the drive levers released.

PTO Engagement Control

Located on left side of control console.

To engage the blades, the knob must be pulled toward the operator until the turnbuckle (attached to the blade engagement idler) locks over-center. To disengage the blades, push the knob down until the assist arm contacts the pin on the deck.

Park brake must be disengaged before PTO is engaged or engine will kill.

Cold Start Kit

Located on the right hand side of engine deck, below and slightly ahead of the hydro control shield.

The cold start kit is used to ease the starting of the unit in cold weather or when the unit has not been operated for a period of time. The cold start kit moves the idler pulley away from the pump belt, releasing the tension on the belt which allows the engine to turn over with less resistance (see **Starting the Engine** section in Operation).

Pre-Start

Fill fuel tank on level ground. For best results use only clean, fresh regular grade unleaded gasoline with an octane rating of 87 or higher.

Important: Never use methanol, gasoline containing methanol, gasohol containing more than 10% ethanol, premium gasoline, or white gas because the fuel system could be damaged.

Do Not add oil to gasoline.

Do Not overfill fuel tank. Fill the fuel tank to the bottom of the filler neck. The empty space in the tank allows gasoline to expand. Overfilling may result in fuel leakage or damage to the engine or emission system.

Make sure you understand the controls, their locations, their functions, and their safety requirements.

Refer to the Maintenance section and perform all the necessary inspection and maintenance steps.

Operating Instructions

Open the Fuel Shut-Off Valve

Rotate the valve 1/4 turn counterclockwise to turn fuel on.

Starting the Engine

Note: Operator must have PTO disengaged and speed control lever in neutral position when starting the engine.

Lock drive levers in neutral and engage park brake

Note: A cold weather starting kit has been added for ease of starting in either cold weather or when the unit has not been run for a period of time.

- To use cold start kit:
 1. Pull split ring straight out the side of the unit, and hook the ring over the lower front hydro control shield bolt.
 2. Start engine. Refer to the following guidelines for further starting suggestions.
- To engage pump drive (disengage cold start kit):
 1. Pull chain straight out from the side of the unit until the split ring can be removed from the bolt.
 2. Slowly release tension on chain.
- 1. Pull out the choke control. Place the throttle control midway between the “Slow” and “Fast” positions. Turn the key switch to the “Run” position.
- 2. Pull recoil rope to start engine. After engine warms up, gradually push in the choke control. Do Not run warm engine with the choke in the “ON” position.

Note: Kawasaki engines generally need to be “choked” even when warm.

Engaging the PTO

▲ DANGER

The rotating blades under the mower deck are dangerous. Blade contact can cause serious injury or kill you.

Do Not put hands or feet under the mower or mower deck when the blades are engaged.

Operation

⚠ DANGER

An uncovered discharge opening will allow objects to be thrown in an operator's or bystander's direction. Also, contact with the blade could occur. Thrown objects or blade contact can cause serious injury or death.

Never operate the mower with the discharge deflector raised, removed, or altered unless there is a grass collection system or mulch kit in place and working properly.

The PTO switch engages the cutting blades. Be sure that all persons are clear of mower deck and discharge area before engaging the PTO.

1. Set throttle to "MIDWAY" position.
2. Pull the PTO engagement knob up to engage blades.
3. Place the throttle in the "FAST" position to begin mowing.

Note: Park brake must be disengaged before PTO is engaged or engine will kill.

Disengaging the PTO

1. Set throttle to "MIDWAY" position.
2. Push down on the PTO engagement knob to disengage the blades.

Stopping the Engine

1. Bring the unit to a full stop.
2. Lock drive levers in neutral.
3. Disengage the PTO.
4. Move speed control lever to neutral.
5. Engage the parking brake.
6. Place the throttle midway between the "SLOW" and "FAST" positions.
7. Allow the engine to run for a minimum of 15 seconds, then turn the ignition switch to the "OFF" position to stop the engine.
8. Remove the key to prevent children or other unauthorized persons from starting engine.
9. Close the fuel shut-off valve when the machine will not be in use for a few days, when

transporting, or when the unit is parked inside a building.

Driving the Machine

Drive Lever/Neutral Lock Latch Operation

To lock the drive levers in "neutral lock", squeeze the drive levers to the "neutral" position (Do Not squeeze the drive levers all the way back as this will cause the drive wheels to go into full reverse direction). See Figure 5 position 1. Place thumbs on the inner lobe of the neutral lock latches and rotate them under the drive levers into the "neutral lock" position. See Figure 5 position 2. Release the drive levers.

⚠ CAUTION

If the neutral lock latches are not completely engaged the drive levers could unexpectedly slip into the forward drive position. If the drive levers slip into the drive position the unit could lurch forward and cause injury or property damage.

Be sure the drive levers are past the roller and securely seated at the bottom of the neutral lock latches.

To place the drive levers in the "forward" position, slightly squeeze the drive levers while placing thumbs on the outer thumb lobe of the neutral lock latches (or the index finger on the front lobe) and rotate them from under the drive levers. Slowly and carefully release the drive levers. See Figure 5 position 3.

To place the drive levers in the "reverse" position, squeeze the drive levers past the neutral position. See Figure 5 position 4.

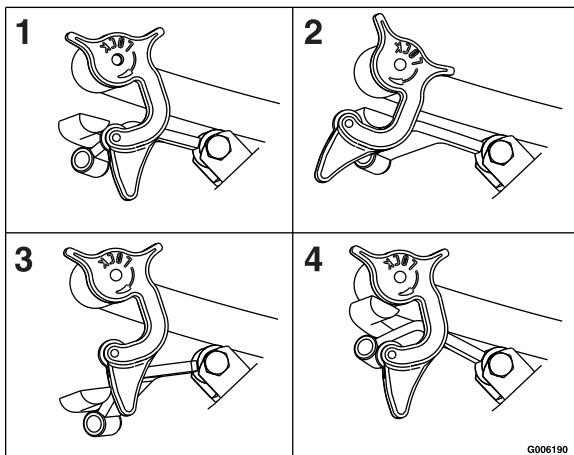


Figure 5

- | | |
|---|------------------------------------|
| 1. Drive Lever in neutral position | 3. Drive Lever in forward position |
| 2. Drive Lever locked in neutral position | 4. Drive Lever in reverse position |

Driving Forward

1. Release the parking brake.
2. With drive levers locked in “neutral”, shift speed control lever to desired forward speed.
3. Slowly squeeze and hold both drive levers in the neutral position and rotate both neutral lock latches from the neutral lock position to the forward position.

Note: Do Not squeeze both drive levers all the way back. This will cause the drive wheels to engage in the reverse direction.

4. To move forward in a straight line, smoothly release both drive levers to engage drive wheels.
To turn left or right, squeeze the right hand drive lever to turn right and the left hand drive lever to turn left.

To make a “zero turn”, squeeze either the left hand or the right hand drive lever back into the reverse position while the opposite drive lever is in a forward position at an equal but opposite speed.

Note: For smooth operation of this machine, avoid quick, jerky movements of the drive levers. Move the drive levers smoothly and deliberately.

To stop, squeeze drive levers back to the “neutral” position. Move the neutral lock latches into the “neutral lock” position and release drive levers. Move the speed control lever to the neutral position.

Driving in Reverse

To move rearward in a straight line, squeeze drive levers into the reverse position.

To turn left or right, squeeze the right hand drive lever to turn left and the left hand drive lever to turn right.

To make a “zero turn”, squeeze either the left hand or the right hand drive lever back into the reverse position while the opposite drive lever is in a forward position at an equal but opposite speed.

Note: For smooth operation of this machine, avoid quick, jerky movements of the drive levers. Move the drive levers smoothly and deliberately.

To stop, squeeze drive levers back to the “neutral” position. Move the neutral lock latches into the “neutral lock” position and release drive levers. Move the speed control lever to the neutral position.

Transporting

Transporting a Unit

⚠ WARNING

Loading the mower onto a trailer without strong enough or properly supported ramps could be dangerous. The ramps could collapse causing the unit to fall, which could cause injury.

- Use proper ramps that are secured to the truck or trailer.
- Keep feet and legs out from under the unit when loading and unloading.
- If necessary, use assistance when loading.

Be sure the fuel shut-off valve is closed.

Use a heavy duty trailer to transport the machine. Engage neutral lock latches and park brake, then block wheels.

Securely fasten the machine to the trailer with straps, chains, cables, or ropes.

Do Not rely solely on the parking brake to hold the machine on the trailer.

Be sure that the trailer has all necessary lighting and marking as required by law and use a safety chain.

Maintenance

Note: Determine the left and right sides of the machine from the normal operating position.

⚠ WARNING

While maintenance or adjustments are being made, someone could start the engine. Accidental starting of the engine could seriously injure you or other bystanders.

Remove the key from the ignition switch, engage parking brake, and pull the wire(s) off the spark plug(s) before you do any maintenance. Also push the wire(s) aside so it does not accidentally contact the spark plug(s).

⚠ WARNING

The engine can become very hot. Touching a hot engine can cause severe burns.

Allow the engine to cool completely before service or making repairs around the engine area.

Recommended Maintenance Schedule(s)

Maintenance Service Interval	Maintenance Procedure
After the first 5 hours	<ul style="list-style-type: none"> • Change the engine oil.
After the first 100 hours	<ul style="list-style-type: none"> • Check wheel hub-slotted torque specification.
After the first 250 hours	<ul style="list-style-type: none"> • Change the hydraulic filter.
Before each use or daily	<ul style="list-style-type: none"> • Check the engine oil level. • Check the mower blades. • Check the safety interlock system. • Check for loose hardware. • Grease the caster wheel bearings. • Grease caster pivots. • Clean engine air cooling system (See Engine Owner's Manual) • Clean the grass build-up from under the deck.
Every 25 hours	<ul style="list-style-type: none"> • Service the foam element. (May need more often under severe conditions. See the Engine Owner's manual for additional information.)
Every 40 hours	<ul style="list-style-type: none"> • Check the hydraulic oil level. • Check the tire pressures. • Check the condition of the belts. • Grease the pump drive idler pivot. • Grease the pump control bearings. • Grease the mower deck idler pivot
Every 100 hours	<ul style="list-style-type: none"> • Service the paper element. (May need more often under severe conditions. See the Engine Owner's manual for additional information.) • Change the engine oil. (May need more often under severe conditions.) • Remove engine shrouds and clean cooling fins.
Every 160 hours	<ul style="list-style-type: none"> • Check the spark plugs.
Every 200 hours	<ul style="list-style-type: none"> • Replace the paper element.
Every 500 hours	<ul style="list-style-type: none"> • Change the hydraulic filter (Every 250 hours/yearly if using Mobil 1 15W50) • Replace the emissions air intake filter. • Check wheel hub-slotted torque specification.
Monthly	<ul style="list-style-type: none"> • Grease the PTO engagement bellcrank.

Periodic Maintenance

Check Engine Oil Level

Service Interval: Before each use or daily

1. Stop engine and wait for all moving parts to stop. Make sure unit is on a level surface.
2. Check with engine cold.
3. Clean area around dipstick. Remove dipstick and wipe oil off. Reinsert the dipstick and push it all the way down into the tube. **Do Not** screw into place. Remove the dipstick and read the oil level.
4. If the oil level is low, wipe off the area around the oil fill cap, remove cap and fill to the “FULL” mark on the dipstick. Exmark 4-Cycle Premium Engine Oil is recommended; refer to the Engine Owner’s manual for an acceptable alternative. **Do Not** overfill.

Important: Do Not operate the engine with the oil level below the “LOW” (or “ADD”) mark on the dipstick, or over the “FULL” mark.

Check Mower Blades

Service Interval: Before each use or daily

1. Stop engine, wait for all moving parts to stop, and remove key. Engage parking brake.
2. Lift deck and secure in raised position as stated in the **Clean Grass Build-Up Under Deck** procedure.
3. Inspect blades and sharpen or replace as required.
4. Re-install the blades (if they were removed) and torque blade bolts to 75-80 ft-lb (102-109 N-m). Be sure the spring disc washer cone is installed toward the bolt head (see Figure 6).

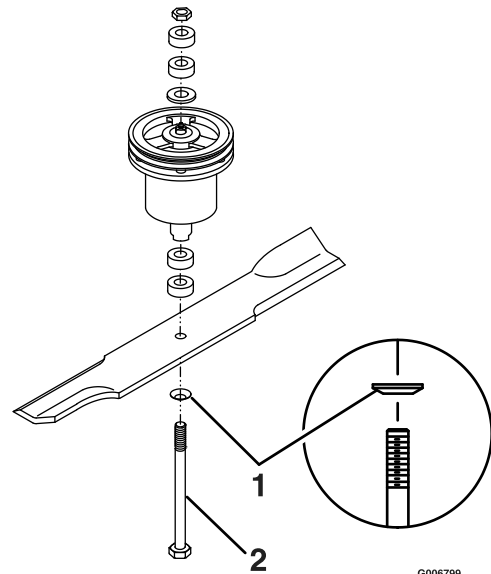


Figure 6

1. Spring disc washer (cone towards bolt head)
2. Blade bolt torque to 75-80 ft-lb (102-109 N-m).

Replacing the Discharge Deflector

Service Interval: As required

⚠ DANGER

An uncovered discharge opening could allow the lawn mower to throw objects in the operator’s or bystander’s direction and result in serious injury. Also, contact with the blade could occur.

Never operate the lawn mower unless you install a mulch plate, discharge deflector, or grass collection system.

1. To remove a damaged or worn discharge deflector, lift the leg of the spring with the loop out of the notch in the discharge deflector and slide the rod out of the discharge deflector brackets, and discharge deflector.
2. To install new discharge deflector, orient the spring on the rod as shown in Figure 7. Slide the rod through the front discharge deflector bracket, discharge deflector, and rear deflector bracket.

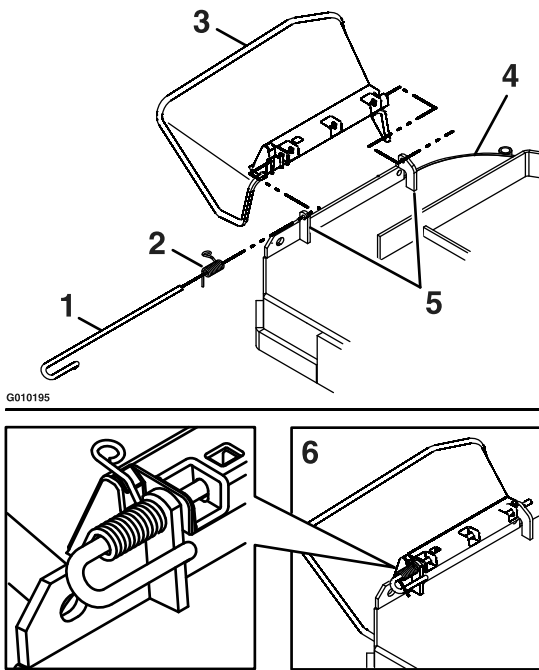


Figure 7

- | | |
|------------------------|--------------------------------|
| 1. Rod | 4. Mower deck |
| 2. Spring | 5. Discharge deflector bracket |
| 3. Discharge deflector | 6. Assembled view |

- Hook the bent end of the rod around the front discharge deflector bracket to retain it from sliding out. Place the leg of the spring with the loop in the notch in the discharge deflector to hold the discharge deflector in the down position (see Figure 7).

Important: The discharge deflector must be spring loaded in the down position. Lift the deflector up to test that it snaps to the full down position.

Check Safety Interlock System

Service Interval: Before each use or daily

- For your safety, your Exmark mower is equipped with Operator Presence Controls, referred to as (OPC). When either the PTO is **engaged**, or the speed control lever is not in **neutral** and the operator removes both hands from the handles, the mower **engine must stop**.
- To determine if the OPC is in operating condition, clear area of bystanders. Run the engine at one-third throttle, then with the drive levers and neutral lock latches in the “neutral lock” position, move the speed control lever out of neutral and release the OPC levers—the **engine must stop**.
- Again, run the engine at one-third throttle, move the speed control lever to neutral, engage the PTO and release the OPC levers—the **engine must stop**.

Note: Park brake must be disengaged before the speed control lever is moved out of neutral or PTO is engaged or engine will kill.

Note: If machine does not pass any of these tests, do not operate. Contact your authorized **EXMARK SERVICE DEALER**.

Important: It is essential that operator safety mechanisms be connected and in proper operating condition prior to use for mowing.

Check for Loose Hardware

Service Interval: Before each use or daily

- Stop engine, wait for all moving parts to stop, and remove key. Engage parking brake.
- Visually inspect machine for any loose hardware or any other possible problem. Tighten hardware or correct the problem before operating.

Service Air Cleaner

Service Interval: Every 25 hours—Service the foam element. (May need more often under severe conditions. See the Engine Owner's manual for additional information.)

Every 100 hours—Service the paper element. (May need more often under severe conditions. See the Engine Owner's manual for additional information.)

Every 200 hours/Yearly (whichever comes first)—Replace the paper element.

1. Stop engine, wait for all moving parts to stop, and remove key or spark plug wire(s). Engage parking brake.
2. See the Engine Owner's Manual for maintenance instructions.

Change Engine Oil

Service Interval: After the first 5 hours

Every 100 hours (May need more often under severe conditions.)

1. Stop engine, wait for all moving parts to stop, and remove key. Engage parking brake.
2. Drain oil while engine is warm from operation.
3. The oil drain hose assembly is located on the left side of the engine.

Place pan under machine to catch oil. Remove oil drain plug. Allow oil to drain and replace oil drain plug. Torque plug to 20-24 ft-lb (27-33 N-m).

4. Replace the oil filter per the Engine Owner's Manual. Clean around oil filter and unscrew filter to remove. Before the new filter is installed, apply a thin coating of Exmark 4-Cycle Premium Engine Oil on the surface of the rubber seal. Turn filter clockwise until rubber seal contacts the filter adapter, then tighten filter an additional 2/3 to 3/4 turn.

5. Clean around oil fill cap and remove cap. Fill to specified capacity and replace cap.
6. Use oil recommended in the **Check Engine Oil Level** section. **Do Not** overfill. Start the engine and check for leaks. Stop engine and recheck oil level.

Check Hydraulic Oil Level

Service Interval: Every 40 hours

1. Stop engine and wait for all moving parts to stop, and remove key. Engage parking brake.
2. Clean area around hydraulic reservoir cap and remove cap. Oil level should be to the top of the baffle inside the tank. If not, add oil. Use Exmark Premium Hydro Oil. Replace hydraulic reservoir cap and tighten until snug. Do Not overtighten.

Note: The baffle is labeled "HOT" and "COLD". The oil level varies with the temperature of the oil. The "HOT" level shows the level of oil when it is at 225°F (107°C). The "COLD" level shows the level of the oil when it is at 75°F (24°C). Fill to the appropriate level depending upon the temperature of the oil. For example: If the oil is about 150°F (65°C), fill to halfway between the "HOT" and "COLD" levels. If the oil is at room temperature (about 75°F (24°C)), fill only to the "COLD" level.

Check Tire Pressures

Service Interval: Every 40 hours

1. Stop engine, wait for all moving parts to stop, and remove key. Engage parking brake.
2. Check tire pressure in drive tires.
3. Inflate drive tires to 12–14 psi (83–97 kPa).
4. Inflate tires to pressures stated above. Measure the circumference of each drive tire. Adjust tire pressures within the above range to try to make tire circumferences match as closely as possible.
5. Semi-pneumatic caster tires Do Not need to be inflated.

Check Condition Of Belts

Service Interval: Every 40 hours

Maintenance

1. Stop engine, wait for all moving parts to stop, and remove key. Engage parking brake.
2. Remove the mower deck belt shield to check mower blade drive belt condition.
3. Look under engine deck to check the pump drive belt condition.
4. Check all idler arms to be sure they pivot freely. Disassemble, clean and grease pivot bushings if necessary.

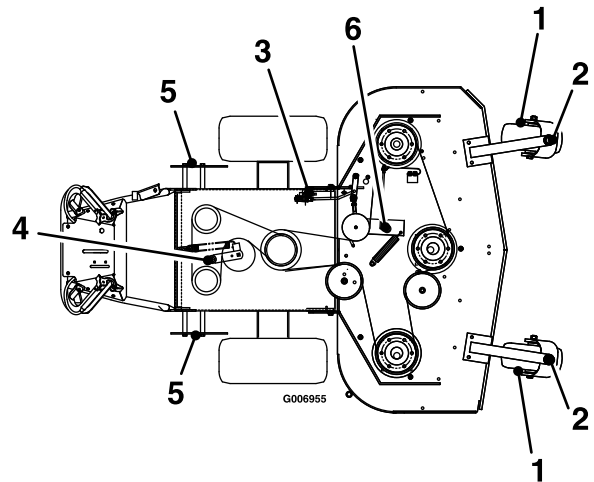
Lubricate Grease Fittings

Note: See chart for service intervals.

1. Stop engine, wait for all moving parts to stop, and remove key. Engage parking brake.
2. Lubricate fittings with NGLI grade #2 multi-purpose gun grease.
Refer to the following chart for fitting locations and lubrication schedule.

Lubrication Chart

Fitting Locations	Initial Pumps	Number of Places	Service Interval
1. Caster Wheel Bearings	12	2	Daily
2. Caster Pivots	2	2	Daily
3. PTO Engagement Bellcrank	1	1	Monthly
4. Pump Drive Idler Pivot	2	1	40 hours
5. Pump Control Bearings	2	2	40 hours
6. Mower Deck Idler Pivots	2	1	40 hours



Number 4 Idler Pivot (Pump Drive) Located under engine deck

Number 4 and 6 (Idler Pivots) Disassemble and grease once a month under a “No Load” condition.

3. Lubricate pivot points with a spray penetrating lubricant as shown in the **Spray Lubricant Chart**.

Spray Lubricant Chart

Pivot Point	Number of Places	Service Interval
1. PTO Engagement Upper Bellcrank	1	40 hours

Check Spark Plugs

Service Interval: Every 160 hours

Remove spark plugs, check condition and reset gaps, or replace with new plugs. See Engine Owner’s Manual.

Change Fuel Filter

Service Interval: As required

A fuel filter is installed in the fuel line between the fuel tank and the engine. Replace when necessary.

Change Hydraulic System Filter

Service Interval: After the first 250 hours

Every 500 hours/Yearly (whichever comes first) thereafter

(Every 250 hours/Yearly if using Mobil 1 15W50)

Note: Use only Exmark Part No. 109-4180 for Summer use above 32°F (0°C) or P/N 1-523541 for Winter use below 32°F (0°C) (Refer to **Transmission** section in Specifications for filter specifications).

1. Stop engine, wait for all moving parts to stop, and remove key. Engage parking brake.
2. Carefully clean area around filter. It is important that no dirt or contamination enter hydraulic system.
3. Unscrew filter to remove and allow oil to drain from reservoir.

Important: Before reinstalling new filter, fill it with Exmark Premium Hydro Oil and apply a thin coat of oil on the surface of the rubber seal.

Turn filter clockwise until rubber seal contacts the filter adapter, then tighten the filter an additional 2/3 to 3/4 turn.

4. Fill reservoir as stated in **Check Hydraulic Oil Level**.

Exmark Premium Hydro Oil is recommended. Refer to the chart for an acceptable alternative:

Hydro Oil	Change Interval
Exmark Premium Hydro Oil (Preferred)	500 Hours
Mobil 1 15W50	250 Hours

5. Loosen filter 1/2 turn and allow a small amount of oil to leak from the oil filter (this allows air to be purged from the oil filter and supply hose from the hydraulic reservoir). Turn filter clockwise until rubber seal contacts the filter adapter. Then tighten the filter an additional 2/3 to 3/4 turn.
6. Raise the rear of machine up and support with jack stands (or equivalent support) just high enough to allow drive wheels to turn freely.

⚠ CAUTION

Raising the mower for service or maintenance relying solely on mechanical or hydraulic jacks could be dangerous. The mechanical or hydraulic jacks may not be enough support or may malfunction allowing the unit to fall, which could cause injury.

Do Not rely solely on mechanical or hydraulic jacks for support. Use adequate jack stands or equivalent support.

7. If either drive wheel does not rotate, one or both of the charge pumps (located on the top of the main pump as shown in Figure 8) may have lost their “prime”. Refer to **Hydraulic System Air Purge** section.

Note: Do Not change hydraulic system oil (except for what can be drained when changing filter), unless it is felt the oil has been contaminated or been extremely hot.

Changing oil unnecessarily could damage hydraulic system by introducing contaminants into the system.

Hydraulic System Air Purge

Service Interval: As required

Air must be purged from the hydraulic system when any hydraulic components, including oil filter, are removed or any of the hydraulic lines are disconnected.

The critical area for purging air from the hydraulic system is between the oil reservoir and each charge pump located on the top of each variable displacement pump (Figure 8). Air in other parts of the hydraulic system will be purged through normal operation once the charge pump is “primed”.

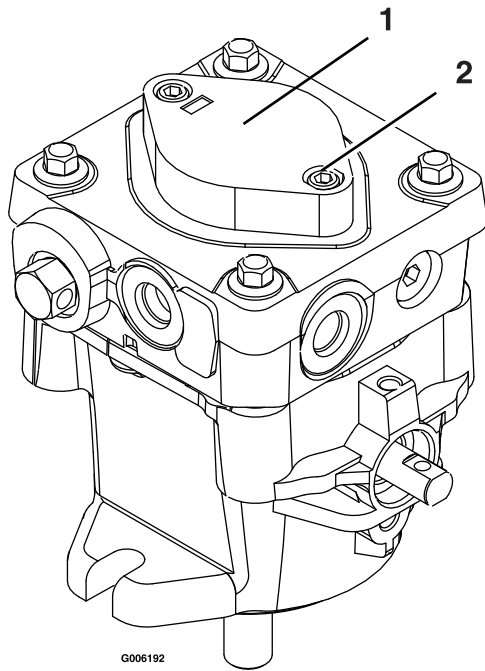


Figure 8

1. Charge pump cap
2. Loosen 1 1/2 turns only

1. Stop engine and wait for all moving parts to stop. Raise the rear of the machine up onto jack stands high enough to raise the drive wheels off the ground.
2. Check oil level as stated in **Check Hydraulic Oil Level** section.
3. Start engine and move throttle control ahead to full throttle position. Move the speed control lever to the middle speed position and place the drive levers in the “drive” position.

If either drive wheel does not rotate, it is possible to assist the purging of the charge pump by carefully rotating the tire in the forward position.

Note: It is necessary to lightly touch the charge pump cap with your hand to check the pump temperature. If the cap is too hot to touch, turn off engine. The pumps may be damaged if the pump becomes too hot.

If either drive wheel still does not rotate continue with step 4.

4. Thoroughly clean the area around each of the charge pump housings.
5. To “prime” charge pump, loosen two hex socket head capscrews (shown in Figure 8) **1 1/2 turns only. Make sure engine is not running.** Lift the charge pump housing upward and wait for

a steady flow of oil to flow out from under the housing. Retighten the capscrews. Do this for both pumps.

Note: Hydraulic reservoir can be pressurized up to 5 psi to speed this process.

6. If either drive wheel still does not rotate, stop and repeat steps 4 and 5 above for the respective pump. If wheels rotate slowly, the system may prime after additional running. Check oil level as stated in **Check the Hydraulic Oil Level** section.
7. Allow unit to run several minutes after the charge pumps are “primed” with drive system in the full speed position. Check oil level as stated in **Check the Hydraulic Oil Level** section.
8. Check hydro drive linkage adjustment as stated in **Hydro Drive Linkage Adjustment** section in Adjustments.

Replace Emissions Air Intake Filter

Service Interval: Every 500 hours

1. Stop engine, wait for all moving parts to stop, and remove key or spark plug wire(s). Engage parking brake.
2. Remove the filter from the vent hose.
3. Insert a new filter into the end of the vent hose.

Wheel Hub-Slotted Nut Torque Specification

Service Interval: After the first 100 hours

Every 500 hours thereafter

See Figure 9 to determine which slotted nut has been installed on the unit.

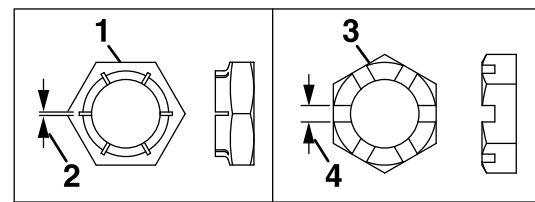


Figure 9

1. Style A (black finish)
2. .03 inch (.76 mm)
3. Style B (yellow zinc)
4. .24 inch (6 mm)

- **Style A (black finish):**

Torque the slotted nut to 140-155 ft-lb (190-210 N-m).

Note: Do Not use anti-seize on wheel hub.

- **Style B (yellow zinc):**
 1. Remove and discard the cotter pin.
 2. Torque the slotted nut to 100 ft-lb (136 N-m).
 3. Check distance from bottom of slot in nut to inside edge of hole. Two threads (0.1 inch) or less should be showing.

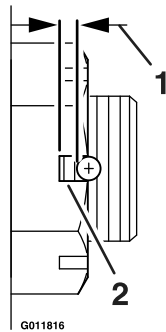


Figure 10

1. 0.1 inch max
2. No more than two threads (0.1 inch max) should be showing here.

4. If more than two threads (0.1 inch) are showing remove nut and install washer (P/N 1-523157) between hub and nut.
5. Torque the slotted nut to 100 ft-lb (136 N-m).
6. Then tighten nut until the next set of slots line up with the cross hole in shaft. Do Not loosen nut to align the slot. If required, tighten to the next set of slots.
7. Install new cotter pin (P/N 1-806800).

Note: Do Not use anti-seize on wheel hub.

Thread Locking Adhesives

Thread locking adhesives such as “Loctite 242” or “Fel-Pro, Pro-Lock Nut Type” are used on the following fasteners:

- Pump sheave setscrews.
- Square head setscrews on hydro pump control arms.
- OPC lever setscrews.
- Shoulder bolts in ends of speed control crank.

- Sheave retaining bolt in end of engine crankshaft.
- Fuel tank bulkhead fitting threads

Adhesives such as “Loctite RC/609 or RC/680” or “Fel-Pro Pro-Lock Retaining I or Retaining II” are used on the following:

- OPC lever hubs and cross-shaft.

Note: Care must be used not to bond the bearing, next to each OPC hub, to the cross-shaft which could cause binding of the OPC levers and erratic operation.

- Fuel tank studs, where studs are inserted into tank.

Mobil HTS Grease (Or Food-Grade Anti-seize)

Mobil HTS grease (or food-grade anti-seize) is used in the following locations:

- Between the cutter housing spindle and bearings.
- Between the cutter housing spindle and sheave.
- Under top cutter housing bearing guard.

Copper-Based Anti-seize

Copper-based anti-seize is used in the following locations:

Between the blade drive and pump drive sheaves and engine crankshaft.

Dielectric Grease

Dielectric grease is used on all blade type electrical connections to prevent corrosion and loss of contact.

Adjustments

Note: Disengage PTO, shut off engine, wait for all moving parts to stop, engage parking brake, and remove key before servicing, cleaning, or making any adjustments to the unit.

Adjusting the Cutting Height

The cutting height of the mower deck is adjusted from 1 inch to 4 1/4 inches (2.54 cm to 11.4 cm) in 1/4 inch (.64 cm) increments by adjusting the axle position, number of spacers below the caster hub, and number of spacers between blade and spindle.

Refer to the Cutting Height Adjustment table and select a cutting height range in the left hand column which corresponds to the range of cutting heights you will most often be using. Adjustments within this range can then be made by adjusting the number of blade spacers between the blade and the bottom of the spindle (this is a much easier adjustment to make

than adjusting axle position and number of spacers below caster support hub).

Note that:

- For the best cut and discharge, place a minimum of two spacers between the blade and the spindle.
- For highest quality cut, place all four spacers between the blade and the spindle.
- If mulching kit is installed, the highest quality cut can be obtained with 3 spacers between the blade and the spindle (minimum is 1 for a good cut).
- When mulching leaves it is best to have fewer spacers between blade and spindle.

Refer to the table and select desired cutting height range. Refer to **Adjusting the Axle Position**, **Adjusting the Number of Spacers below Caster Support Hub**, and **Adjusting the Cutting Height with Blade Spacers** and sections to make adjustments make adjustment to obtain specific cutting height.

Cutting Height Adjustment Table (1 inch to 4 1/4 inches (2.5 cm-10.8 cm))

Cutting Height Range	Axle Position (Figure 11)	Number Of Spacers Below Caster Support Hub		Number of 1/4 inch (.64 cm) Blade Spacers Below Spindle				
		1/2 inch (1.2 cm)	3/16 inch (.48 cm)	4	3	2	1	0
1–2 inches (2.5–5.0 cm)	A	0	0	1 inch (2.5 cm)	1 1/4 inch (3.2 cm)	1 1/2 inch (3.5 cm)	1 3/4 inch (4.4 cm)	2 inch (5.0 cm)
1 1/8–2 1/8 inches (2.9–5.4 cm)	A	0	1	1 1/8 inch (2.9 cm)	1 3/8 inch (3.5 cm)	1 5/8 inch (4.1 cm)	1 7/8 inch (4.8 cm)	2 1/8 inch (5.4 cm)
1 3/8–2 3/8 inches (3.5–6.0 cm)	A	1	0	1 3/8 inch (3.5 cm)	1 5/8 inch (4.1 cm)	1 7/8 inch (4.8 cm)	2 1/8 inch (5.4 cm)	2 3/8 inch (6.0 cm)
1 3/8–2 3/8 inches (3.5–6.0 cm)	B	0	1	1 3/8 inch (3.5 cm)	1 5/8 inch (4.1 cm)	1 7/8 inch (4.8 cm)	2 1/8 inch (5.4 cm)	2 3/8 inch (6.0 cm)
1 5/8–2 5/8 inches (4.1–6.7 cm)	B	1	0	1 5/8 inch (4.1 cm)	1 7/8 inch (4.8 cm)	2 1/8 inch (5.4 cm)	2 3/8 inch (6.0 cm)	2 5/8 inch (6.7 cm)
1 3/4–2 3/4 inches (4.4–7.0 cm)	B	1	1	1 3/4 inch (4.4 cm)	2 inch (5.0 cm)	2 1/4 inch (5.7 cm)	2 1/2 inch (6.4 cm)	2 3/4 inch (7.0 cm)
2–3 inches (5.0–7.6 cm)	B	2	0	2 inch (5.0 cm)	2 1/4 inch (5.7 cm)	2 1/2 inch (6.4 cm)	2 3/4 inch (7.0 cm)	3 inch (7.6 cm)
1 7/8–2 7/8 inches (4.8–7.3 cm)	C	1	1	1 7/8 inch (4.8 cm)	2 1/8 inch (5.4 cm)	2 3/8 inch (6.0 cm)	2 5/8 inch (6.7 cm)	2 7/8 inch (7.3 cm)

Cutting Height Adjustment Table (1 inch to 4 1/4 inches (2.5 cm-10.8 cm)) (cont'd.)

Cutting Height Range	Axle Position (Figure 11)	Number Of Spacers Below Caster Support Hub		Number of 1/4 inch (.64 cm) Blade Spacers Below Spindle				
		1/2 inch (1.2 cm)	3/16 inch (.48 cm)	4	3	2	1	0
2 1/8–3 1/8 inches (5.4–7.9 cm)	C	2	0	2 1/8 inch (5.4 cm)	2 3/8 inch (6.0 cm)	2 5/8 inch (6.7 cm)	2 7/8 inch (7.3 cm)	3 1/8 inch (7.9 cm)
2 1/4–3 1/4 inches (5.7–8.3 cm)	C	2	1	2 1/4 inch (5.7 cm)	2 1/2 inch (6.4 cm)	2 3/4 inch (7.0 cm)	3 inch (7.6 cm)	3 1/4 inch (8.3 cm)
2 1/2–3 1/2 inches (6.4–8.9 cm)	C	3	0	2 1/2 inch (6.4 cm)	2 3/4 inch (7.0 cm)	3 inch (7.6 cm)	3 1/4 inch (8.3 cm)	3 1/2 inch (8.9 cm)
2 3/8–3 3/8 inches (6.0–8.6 cm)	D	2	1	2 3/8 inch (6.0 cm)	2 5/8 inch (6.7 cm)	2 7/8 inch (7.3 cm)	3 1/8 inch (7.9 cm)	3 3/8 inch (8.6 cm)
2 1/2–3 1/2 inches (6.4–8.9 cm)	D	3	0	2 1/2 inch (6.4 cm)	2 3/4 inch (7.0 cm)	3 inch (7.6 cm)	3 1/4 inch (8.3 cm)	3 1/2 inch (8.9 cm)
2 3/4–3 3/4 inches (7.0–9.5 cm)	D	3	1	2 3/4 inch (7.0 cm)	3 inch (7.6 cm)	3 1/4 inch (8.3 cm)	3 1/2 inch (8.9 cm)	3 3/4 inch (9.5 cm)
3–4 inches (7.6–10.1 cm)	D	4	0	3 inch (7.6 cm)	3 1/4 inch (8.3 cm)	3 1/2 inch (8.9 cm)	3 3/4 inch (9.5 cm)	4 inch (10.1 cm)
2 7/8–3 7/8 inches (7.3–9.8 cm)	E	3	1	2 7/8 inch (7.3 cm)	3 1/8 inch (7.9 cm)	3 3/8 inch (8.6 cm)	3 5/8 inch (9.2 cm)	3 7/8 inch (9.8 cm)
3 1/8–4 1/8 inches (7.9–10.5 cm)	E	4	0	3 1/8 inch (7.9 cm)	3 3/8 inch (8.6 cm)	3 5/8 inch (9.2 cm)	3 7/8 inch (9.8 cm)	4 1/8 inch (10.5 cm)
3 1/4–4 1/4 inches (8.3–10.8 cm)	E	4	1	3 1/4 inch (8.3 cm)	3 1/2 inch (8.9 cm)	3 3/4 inch (9.5 cm)	4 inch (10.1 cm)	4 1/4 inch (10.8 cm)

Important: Always adjust the Number of Spacers below Caster Hub to correspond to the Axle Position as shown in table to obtain proper “rake” (blades should always be level to the ground or tipped slightly down at the front).

Adjusting the Axle Position

Desired cutting height range can be obtained by adjusting the rear axle and placing caster spacers above or below the caster arm (see Figure 11 and Figure 12 along with the Cutting Height Adjustment Chart).

To adjust rear axle:

1. Stop the machine and move the drive levers to the neutral lock position.
2. Disengage the PTO.
3. Raise the rear of the machine up onto jack stands and remove the drive wheels.
4. Loosen but do not remove the top two bolts on each hydraulic motor mounting bracket (see Figure 11).
5. Remove the bottom sets of hardware for each bracket.
6. Reposition the mounting bracket to the desired height and reinstall the bottom hardware.
7. Tighten all hardware and remount drive wheels.

Maintenance

- Remove jack.
- Adjust wheel drive and brake linkages as required (see **Brake and Wheel Drive Linkage Adjustment** section).

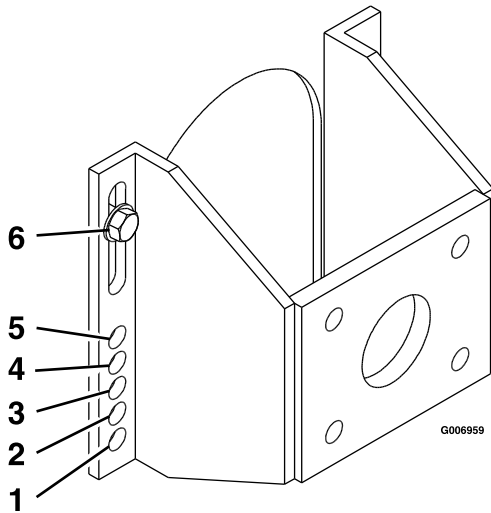


Figure 11

- | | |
|---------------|---|
| 1. Position A | 4. Position D |
| 2. Position B | 5. Position E |
| 3. Position C | 6. Axle Pivot Bolt-loosen but Do Not remove |

Note: The axle positions are in 1/2 inch (1.3 cm) increments and the large caster spacers are 1/2 inch (1.3 cm) thick. Therefore, by adjusting the same number of 1/2 inch (1.3 cm) caster spacers as axle hole positions the blades will retain the same front-to-back tip (rake).

Adjusting the Number of Spacers below Caster Support Hub

- Stop the machine and move the drive levers to the neutral lock position.
- Disengage the PTO.
- Place the drive levers in the “park brake” position.
- Push down on handles to lift front casters off the ground.
- Support with jackstands.
- Remove “quick pin” from one caster and remove caster from hub (see Figure 12).

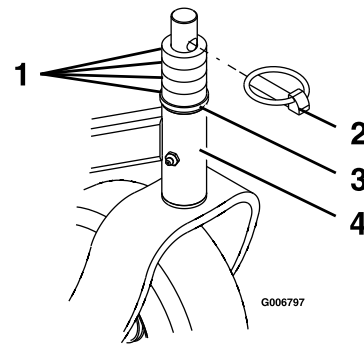


Figure 12

- | | |
|-----------------------------------|------------------------------|
| 1. Four 1/2 inch (127 mm) spacers | 3. 3/16 inch (4.8 mm) spacer |
| 2. Quick Pin | 4. Caster support |

- Adjust the number of 1/2 inch spacers between bottom of hub and caster yoke to obtain the desired cutting height from the Cutting Height Adjustment Table in the **Adjusting the Cutting Height** section.
- Install remaining spacers on top of hub.
- Install “quick pin”.
- Repeat for other caster.

Adjusting the Cutting Height with Blade Spacers

- Stop the machine and move the drive levers to the neutral locked position.
- Disengage the PTO.
- Engage the park brake.
- Stop the engine, remove the key and wait for all moving parts to stop.
- Blades may be adjusted for cutting height by using the four 1/4 inch (.64 cm) spacers found on the blade spindle bolts (factory setting is two above and two below). This allows a 1 inch (2.5 cm) range in 1/4 inch (.64 cm) increments of cutting height in any axle position. The same number of blade spacers must be used on all blades to achieve a level cut (two above and two below, one above and three below, etc.).
- Raise front of deck and support with jack stands.
- Hold blade bolt on bottom and loosen spindle nut on top.
- Adjust number of spacers between bottom of spindle and blade as indicated in the Cutting

Height Adjustment Table and notes in the **Adjusting the Cutting Height** section.

9. Install unused spacers between top of spindle and spindle nut.
10. Torque bolt to 75–80 ft-lb (102–109 N-m) (see Figure 13).

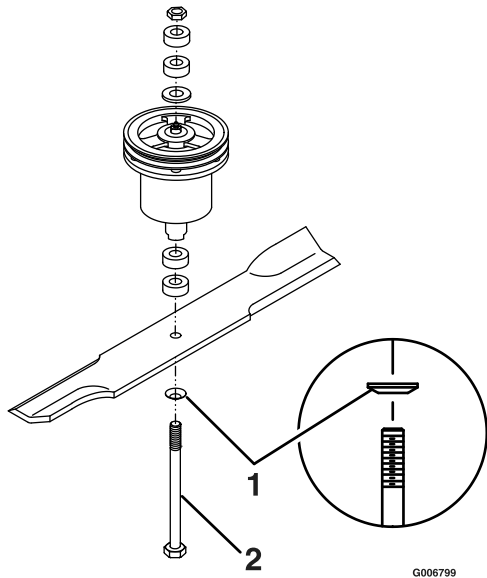


Figure 13

1. Spring disc washer (cone towards bolt head)
2. Blade bolt torque to 75–80 ft-lb (102–109 N-m)

PTO Engagement Linkage Adjustment

Located between the PTO engagement bellcrank and PTO engagement assist arm beneath the front, left hand corner of the engine deck.

1. Stop engine and wait for all moving parts to stop. Engage parking brake. Remove key or spark plug wire(s).
2. With PTO engaged (lever pulled up, adjust the linkage length to where the lower end of the bellcrank just clears the axle support gusset (see Figure 14). Make sure the assist arm is against the rear assist arm stop on the deck (see Figure 15). Push the lever down to the disengaged position. The assist arm should contact the front assist arm stop on the deck. If it does not contact, readjust so that the bellcrank is closer to the gusset.

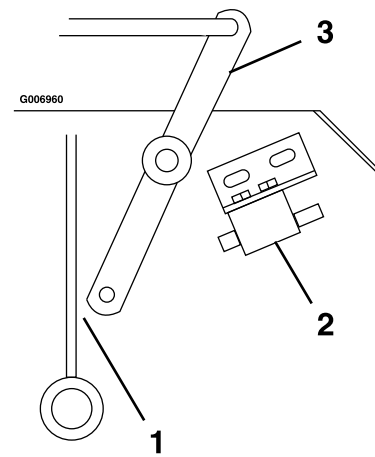


Figure 14

1. The bellcrank just clears the gusset with the PTO engaged
2. PTO Safety Switch (located beneath the engine deck)
3. Bellcrank

PTO Safety Switch Adjustment

1. Stop engine and wait for all moving parts to stop. Engage parking brake. Remove key or spark plug wire(s).
2. With PTO disengaged and assist arm against the front assist arm stop, adjust the blade safety switch mounting bracket (if needed) until the bellcrank depresses the plunger by 1/4 inch (.64 cm).
3. Be sure the bellcrank Does Not touch the switch body or damage to the switch could occur.
4. Retighten switch mounting bracket.

Engine to Mower Deck Belt Adjustment

1. Stop engine and wait for all moving parts to stop. Engage parking brake. Remove key or spark plug wire(s).
2. Engage PTO.
3. Check belt guides under rear engine and front mower deck to see that they are properly set (see **Belt Guide Adjustment** section for instructions).
4. Belt must be tight enough so it does not slip during heavy loads while cutting grass. Over-tensioning will reduce belt and spindle bearing life. To adjust belt tension, loosen the 5/16 inch whizlock nut on turnbuckle and rotate the turn buckle; rotate turnbuckle toward rear of

Maintenance

mower to tighten, and toward front of mower to loosen belt tension (see Figure 15).

For 48 inch Decks: If there is no adjustment left in the turnbuckle and the belt is still loose, the rear idler pulley can be repositioned in the front hole (see Figure 15). The belt guide located next to the pulley must also be repositioned in the front hole when the pulley is moved. The turnbuckle will need to be readjusted.

Check belt tension after the first hour of operation and at least twice during the first 24 hours of operation. Adjust as necessary.

Note: After readjusting the belt tension check the belt guide adjustment as stated in the **Belt Guide Adjustment** and **Blade Brake Adjustment** sections.

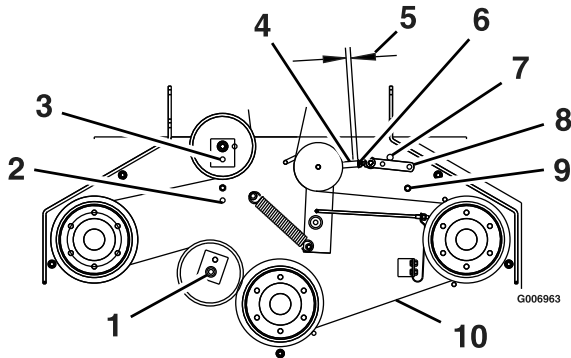


Figure 15

48 inch Deck Shown for Reference Only

1. Pulley location for Viking Hydro
 2. Belt guide must be moved to the front position if the pulley is moved (48 inch deck only)
 3. Pulley can be moved to the front position to tighten the belt when there is no adjustment left in the turnbuckle (48 inch deck only)
 4. Turnbuckle
 5. 5/16 inch (.79 cm) minimum engagement
 6. 5/16 inch whizlock nut
 7. Rear Assist Arm Stop
 8. Assist Arm
 9. Front Assist Arm Stop
 10. Point "A"
-
5. Proper belt tension will require about 10 lb (4.5 kg) side pull on belt, halfway between pulleys (see Figure 15, item 10–Point A) to deflect belt 1/2 inch (1.3 cm).

Mower Deck Belt Routings:

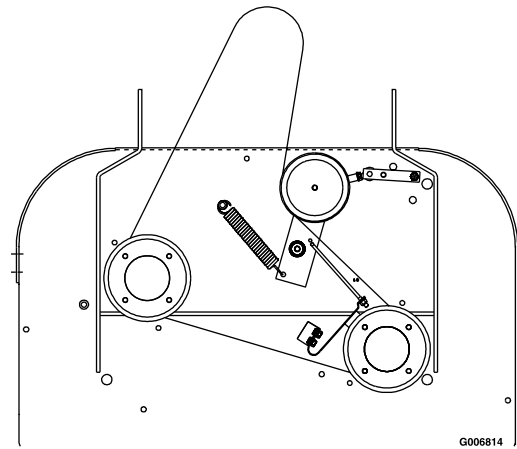


Figure 16

36 inch Mower Deck

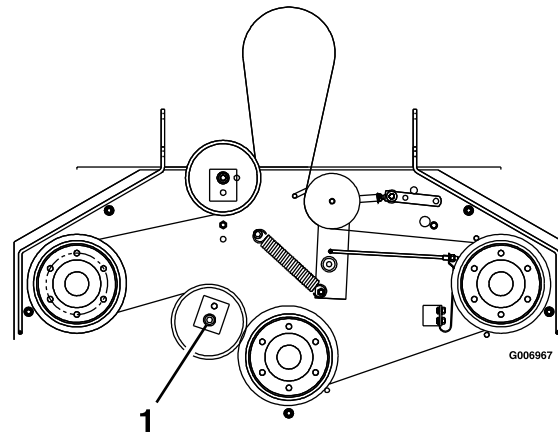


Figure 17

48 inch Mower Deck

Blade Brake Adjustment

1. Stop engine and wait for all moving parts to stop. Engage parking brake. Remove key or spark plug wire(s).
2. Disengage PTO.
3. Make sure the blade brake pad rests against the sheave. Adjust the spring mounting bolts to properly align the pad on the sheave (see Figure 18).

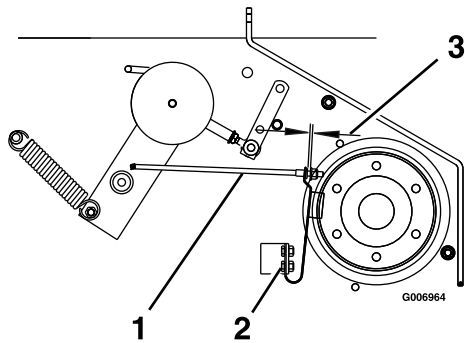


Figure 18

Shown with Blades Disengaged

1. Blade Brake Rod
2. Spring Mounting Bolts
3. 1/8 inch to 3/16 inch (.32-.47 cm)

4. Check the distance between the spacer and the nut at the end of the blade brake rod. The distance should be between 1/8 inch (.32 cm) and 3/16 inch (.47 cm) (see Figure 18).
5. Engage the PTO and check to make sure the blade brake pad clears the sheave.

Belt Guide Adjustment

1. Stop engine and wait for all moving parts to stop. Engage parking brake. Remove key or spark plug wire(s).
2. Engage the PTO.
3. Check belt guide under the engine deck for proper adjustment (see Figure 19 and Figure 20). Adjust as necessary.

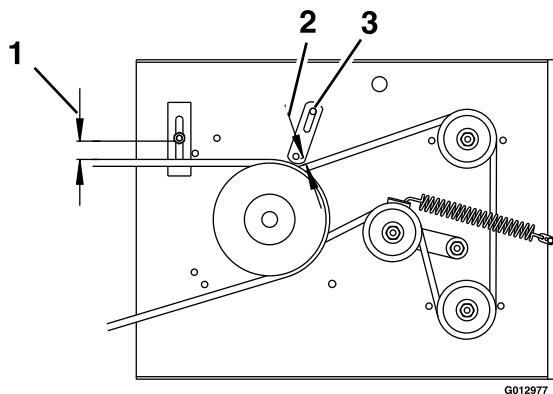


Figure 19

36 inch Belt Guide Location
(Viewed from underneath the engine deck)

1. 1 1/4 inch (3.1 cm)
2. 1/4 inch (.64 cm) clearance
3. End of slot

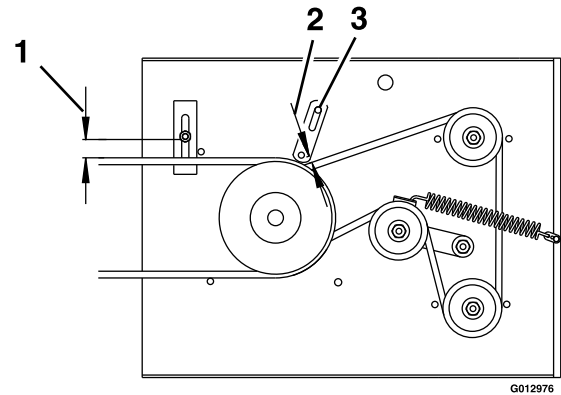


Figure 20

48 inch Belt Guide Location
(Viewed from underneath the engine deck)

1. 1 3/8 inch (3.5 cm)
2. 1/4 inch (.64 cm) clearance
3. End of slot

Pump Drive Belt Tension

Self-tensioning - No adjustment necessary.

Hydro Drive Linkage Adjustment

• Adjust Speed Control Linkage and Neutral Safety Switch:

1. Stop engine and wait for all moving parts to stop. Engage parking brake. Remove key or spark plug wire(s).
2. Move the speed control lever (located on the console) to the full forward position and check the orientation of the tabs on the ends of the speed control crank (see Figure 21). These tabs should be pointing straight down at the 6 o'clock position or slightly forward. Adjust the threaded yoke at the bottom of the speed control linkage (see Figure 21) until the tabs are positioned correctly.

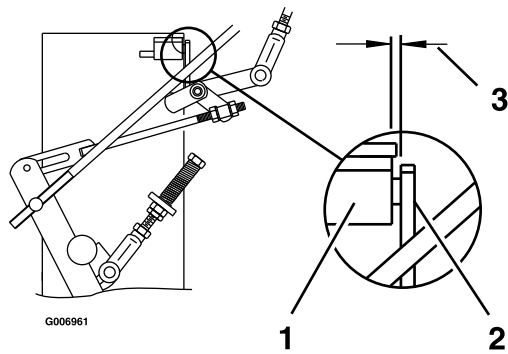


Figure 21

Viewed from Left Side of Unit

- | | |
|--------------------------------------|-----------------------|
| 1. Neutral Safety Switch | 3. 5/16 inch (7.9 mm) |
| 2. Actuating Tab in neutral position | |

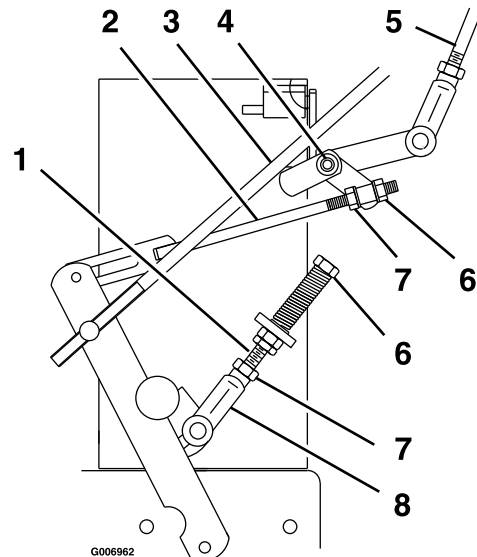


Figure 22

Viewed from Left Side of Unit

- | | |
|----------------------------|--|
| 1. Neutral Control Linkage | 5. Speed Control Linkage |
| 2. Hydro Control Linkage | 6. Adjust here-rotate at approximately 1/4 turn increments and re-check. |
| 3. Drive Lever Linkage | 7. Loosen nut |
| 4. Speed Control Crank | 8. Yoke |

- Pull the speed control lever back to neutral. Check that the neutral safety switch actuating tab has depressed the plunger of the switch so that there is about 5/16 inch (7.9 mm) between the tab and the switch (see Figure 21). If necessary, move the switch fore and aft.

• **Adjust Neutral Control Linkages:**

- Raise the rear of the machine up onto jack stands high enough to raise the drive wheels off of the ground.
- Start the engine and move the throttle ahead to the full throttle position. Place the neutral lock latches in the “forward” position as shown in Figure 4. Release the park brake and move the speed control lever to the “mid-speed” position.

Note: The OPC levers must be held down and the park brake must be disengaged whenever the speed control lever is moved out of neutral or the engine will kill.

- Squeeze the respective drive lever until an increased resistance is felt, this is where neutral should be.

If the wheel turns while holding the drive lever in neutral, the neutral control linkages need to be adjusted. If the wheel stops then go to step 7.

- Loosen the nut against the neutral control linkage yoke as shown in Figure 22.
- Adjust the neutral control linkage until the respective drive wheel stops when the lever is pulled against the neutral spring (neutral position). Turn the adjusting bolt approximately 1/4 turn clockwise if the wheel is turning in reverse or turn the bolt approximately 1/4 turn counterclockwise if the wheel is turning forward. Release the drive lever to the forward drive position and squeeze back into the neutral position. Check to see if the wheel stops. If not, repeat the above adjustment procedure.
- Make this adjustment on both sides.
- After adjustments are made and the wheels stop when the drive levers are in the neutral position, tighten the nuts against the yokes.

• **Adjust Hydro Control Linkages:**

- Place the speed control lever in the “neutral” position. This adjustment is again made with rear of machine on jack stands and engine running at full throttle. OPC levers will have to be held down and the park brake must be

disengaged whenever speed control levers are moved out of the neutral position.

Note: The neutral lock latches should be “unlocked” and in the forward position.

- Loosen the front nut on left hydro control linkage as shown in Figure 22. Turn the rear control linkage adjusting nut counterclockwise until wheel rotates forward. Turn the rear nut of left control linkage clockwise 1/4 of a turn at a time, stopping to move the speed control forward and back to neutral, until left wheel stops rotating forward.

Turn the rear nut an additional 1/2 turn and tighten the front nut making sure not to put a bind on the linkage. Make sure flat part of linkage is perpendicular to pin part of swivel (see Figure 23).

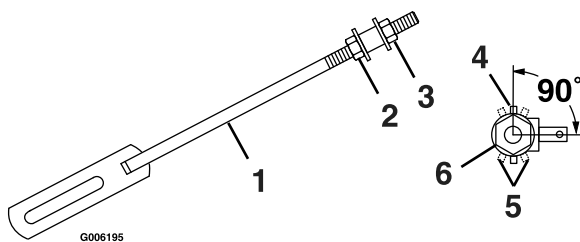


Figure 23

- | | |
|--|---|
| 1. Left Hydro Control Link (left side shown) | 4. Linkage is perpendicular to pin (correct position) |
| 2. Front nut | 5. Linkage in incorrect position |
| 3. Rear nut | 6. End view of swivel |

After adjusting the left hydro control linkage, move the speed control lever to the mid-speed position and then back to the neutral position. Recheck the left drive wheel rotation to see if further adjustment is necessary - be sure the speed control lever is in the neutral position.

Important: If inconsistent neutral occurs, check to be sure both springs are properly tightened on the speed control lever under the console—especially the rear pivot spring.

Repeat above adjustments if necessary.

- Place the speed control lever in neutral. Adjust the right side linkage by turning the quick track knob counterclockwise until the tire begins to rotate forward. Begin to retighten the knob clockwise about 1/4 turn at a time, stopping to move the speed control forward and back

to neutral. Recheck the drive wheel rotation to see if further adjustment is necessary.

- The spring that keeps tension on the knob should normally not need adjustment. However, if adjustment is needed, adjust to where length of spring is about 1 inch (2.5 cm) between the washers. Adjust spring length by turning nut at front of spring.

• Drive Lever Linkage Adjustment:

- With rear of machine still on jack stands and engine running at full throttle, disengage the park brake and move the speed control lever to the midway position. Move the respective drive lever upward until it reaches the neutral position and engage neutral lock latches (Figure 24). If the tire rotates in either direction, the length of the drive lever link will need to be adjusted.

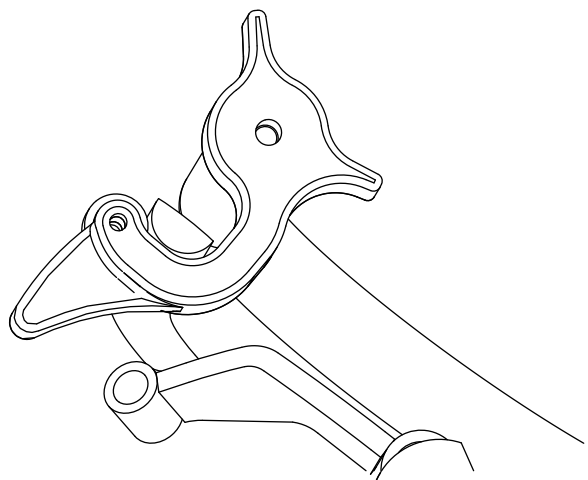


Figure 24

- Adjust the linkage length by loosening the jam nuts at both ends of the linkage and rotating the linkage in the ball joints. Lengthen the linkage if the tire is turning in reverse and shorten the linkage if the tire is creeping forward. Tighten the jam nuts at both ends. Release and re-engage the neutral lock latch checking that the tire stops. Continue this process until the tire is at a dead stop.
- Make this adjustment for both sides.
- Stop engine and wait for all moving parts to stop. Raise rear of machine, remove jack stands, and carefully lower machine to the ground.

Tracking Adjustment

1. Stop engine and wait for all moving parts to stop.
2. Check the drive tire pressures and tire circumferences as stated in **Check the Tire Pressures** section in Maintenance.
3. Run the unit and observe the tracking on a level, smooth, hard surface such as concrete or asphalt.
4. If the unit tracks to one side or the other, turn the quick track knob. Turn the knob right to “steer” right, turn the knob left to “steer” left.

Hydro Pump Spring Tension Setting

1. For medium or heavy duty drive conditions such as operation with a sulky on steep slopes, a higher spring force may be required on the hydro pump control arms to prevent the drive system from stalling.
2. For a heavier drive setting, relocate the spring anchor links to either the “medium” or “heavy duty” positions as shown in Figure 25. The spring anchor links are attached to the upper rear corner of the hydro drive shields on the left and right hand sides of the machine.

Note: In the “medium” or “heavy duty” positions, the drive lever forces at the upper handle will also be increased.

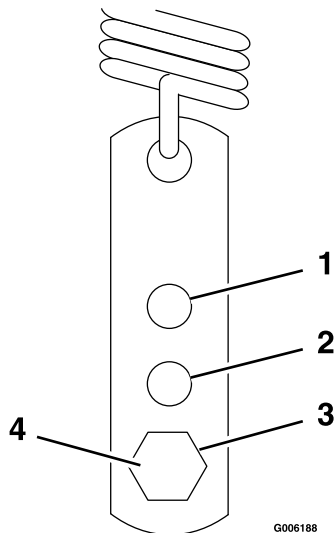


Figure 25

- | | |
|----------------|-------------------|
| 1. Heavy duty | 3. Standard |
| 2. Medium duty | 4. Retaining bolt |

Park Brake Adjustment

1. Stop engine and wait for all moving parts to stop.
2. Disengage the park brake.
3. Remove the hairpin in the lower park brake linkage. Turn the linkage in the yoke until there is 3/16 inch (.48 cm) to 1/4 inch (.64 cm) clearance between the park brake tire bars and the tires with the park brake disengaged. Re-install the hairpin.

Cleaning

recycling center or according to your state and local regulations.

Clean Engine Air Cooling System

Service Interval: Before each use or daily

1. Stop engine and wait for all moving parts to stop. Engage parking brake. Remove key or spark plug wire(s).
2. Clean all debris from engine air intake screen and from around engine shrouding.

Remove Engine Shrouds and Clean Cooling Fins

Service Interval: Every 100 hours

1. Stop engine, wait for all moving parts to stop, and remove key. Engage parking brake.
2. Remove cooling shrouds from engine and clean cooling fins. Also clean dust, dirt, and oil from external surfaces of engine which can cause improper cooling.
3. Make sure cooling shrouds are properly reinstalled. Operating the engine without cooling shrouds will cause engine damage due to overheating.

Clean Grass Build-Up Under Deck

Service Interval: Before each use or daily

1. Disengage PTO.
2. Stop engine and wait for all moving parts to stop. Engage parking brake. Remove key or spark plug wire(s).
3. Raise deck and support unit using jack stands or equivalent support.
4. Clean out any grass build-up from underside of deck and in discharge chute.

Waste Disposal

Motor Oil Disposal

Engine oil and hydraulic oil are both pollutants to the environment. Dispose of used oil at a certified

Troubleshooting

Important: It is essential that all operator safety mechanisms be connected and in proper operating condition prior to mower use.

When a problem occurs, do not overlook the simple causes. For example: starting problems could be caused by an empty fuel tank.

The following table lists some of the common causes of trouble. Do Not attempt to service or replace major items or any items that call for special timing of adjustments procedures (such as valves, governor, etc.). Have this work done by your **Engine Service Dealer**.

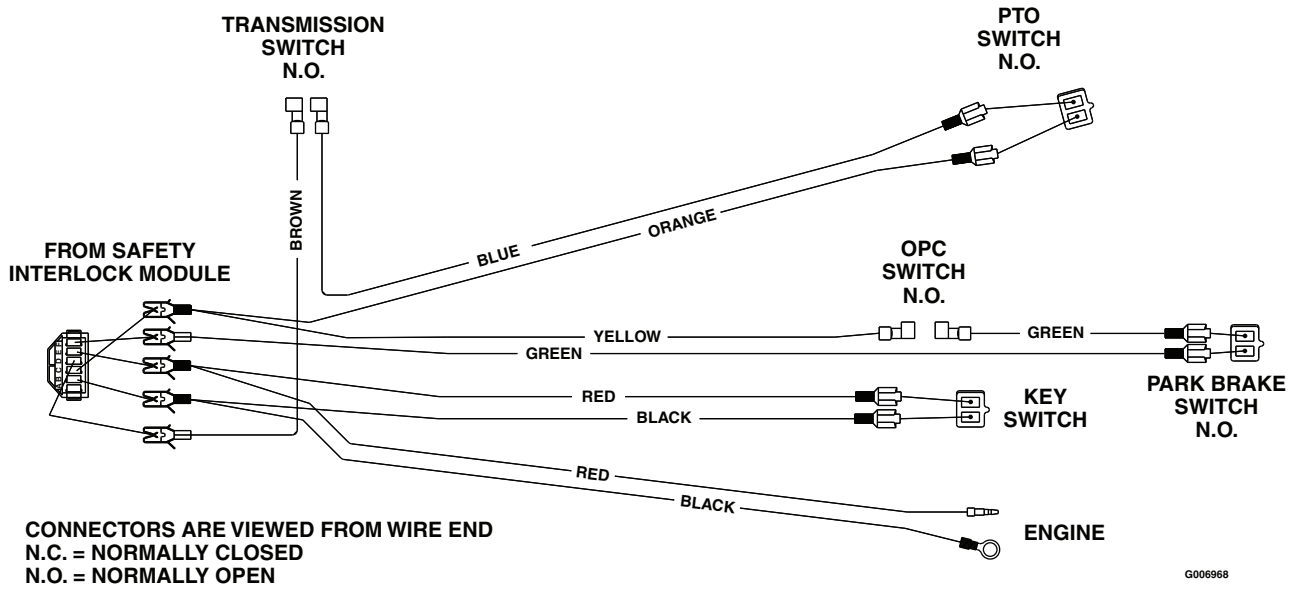
Note: When disconnecting electrical connectors Do Not pull on the wires to separate the connectors.

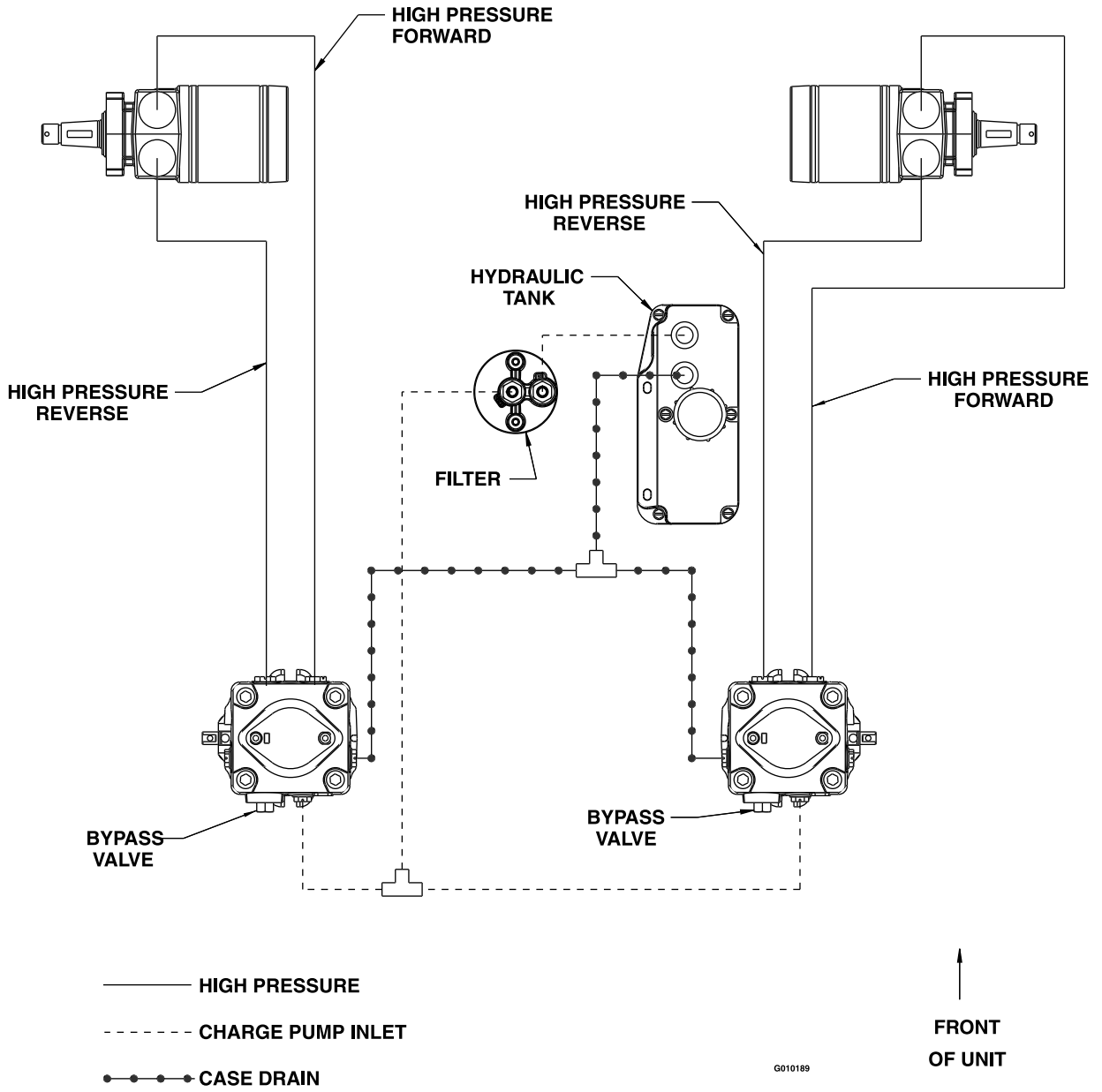
Problem	Possible Cause	Corrective Action
Engine will not start, starts hard, or fails to keep running.	<ol style="list-style-type: none"> 1. Fuel tank is empty. 2. Fuel shutoff valve is closed. 3. The throttle and choke are not in the correct position. 4. Dirt in fuel filter. 5. Dirt, water, or stale fuel is in the fuel system. 6. Air cleaner is dirty. 7. Electrical connections are corroded, loose or faulty. 8. Relay or switch is defective. 9. Faulty spark plug. 10. Spark plug wire is not connected. 11. PTO is engaged. 12. Speed control lever is not in neutral position. 13. OPC levers are released. 	<ol style="list-style-type: none"> 1. Fill the fuel tank. 2. Open the fuel shutoff valve. 3. Be sure the throttle control is midway between the "SLOW" and "FAST" positions, and the choke is in the "ON" position for a cold engine or the "OFF" position for a warm engine. 4. Replace the fuel filter. 5. Contact an Authorized Service Dealer. 6. Clean or replace the air cleaner element. 7. Check the electrical connections for good contact. Clean connector terminals thoroughly with electrical contact cleaner, apply dielectric grease and reconnect. 8. Contact an Authorized Service Dealer. 9. Clean, adjust or replace spark plug. 10. Check the spark plug wire connection. 11. Disengage the PTO. 12. Ensure the shifter lever is in the neutral position. 13. Depress OPC levers.
Engine loses power	<ol style="list-style-type: none"> 1. Engine load is excessive 2. Air cleaner is dirty. 3. Oil level in the crankcase is low. 4. Cooling fins and air passages for the engine are plugged. 5. Vent hole in the fuel cap is plugged. 6. Dirt in fuel filter. 7. Dirt, water, or stale fuel is in the fuel system. 	<ol style="list-style-type: none"> 1. Reduce the ground speed. 2. Clean or replace the air cleaner element. 3. Add oil to the crankcase. 4. Remove the obstructions from the cooling fins and air passages. 5. Clean or replace the fuel cap. 6. Replace the fuel filter. 7. Contact an Authorized Service Dealer.
Engine overheats	<ol style="list-style-type: none"> 1. Engine load is excessive 2. Oil level in the crankcase is low. 3. Cooling fins and air passages for the engine are plugged. 	<ol style="list-style-type: none"> 1. Reduce the ground speed. 2. Add oil to the crankcase. 3. Remove the obstructions from the cooling fins and air passages.
Mower pulls left or right (with levers fully forward).	<ol style="list-style-type: none"> 1. Tracking needs adjustment. 2. Tire pressure in drive tires not correct. 	<ol style="list-style-type: none"> 1. Adjust the tracking by turning knob on the right hydro control linkage in the direction that the mower needs to be adjusted to. Turn the knob in 1/4 turn increments until the mower tracks correctly. 2. Adjust tire pressure in the drive tires.

Problem	Possible Cause	Corrective Action
Machine does not drive.	<ol style="list-style-type: none"> 1. Bypass valve is not closed tight. 2. Drive or pump belt is worn, loose or broken. 3. Drive or pump belt is off a pulley. 	<ol style="list-style-type: none"> 1. Tighten the bypass valve. 2. Change the belt. 3. Change the belt.
Uneven cutting height.	<ol style="list-style-type: none"> 1. Blade(s) not sharp. 2. Cutting blade(s) is/are bent. 3. Mower deck is not level. 4. Underside of mower is dirty. 5. Tire pressure in drive tires not correct. 6. Blade spindle bent. 7. Tips of adjacent blades are at an uneven cutting height. Blades tips should be even within 3/16 inch which is approximately one blade thickness. 	<ol style="list-style-type: none"> 1. Sharpen the blade(s). 2. Install new cutting blade(s). 3. Level mower deck from side-to-side and front-to-rear. 4. Clean the underside of the mower. 5. Adjust tire pressure in the drive tires. 6. Contact an Authorized Service Dealer. 7. Replace blades, spindles and (or) check for damage to mower deck.
Abnormal vibration	<ol style="list-style-type: none"> 1. Cutting blade(s) is/are bent or unbalanced. 2. Blade mounting bolt is loose. 3. Engine mounting bolts are loose. 4. Loose engine pulley, idler pulley, or blade pulley. 5. Engine pulley is damaged. 6. Blade spindle is bent. 7. Belt is damaged. 	<ol style="list-style-type: none"> 1. Install new cutting blade(s). 2. Tighten the blade mounting bolt. 3. Tighten the engine mounting bolts. 4. Tighten the appropriate pulley. 5. Contact an Authorized Service Dealer. 6. Contact an Authorized Service Dealer. 7. Install new belt.
Blades do not rotate.	<ol style="list-style-type: none"> 1. Deck belt is worn, loose or broken. 2. Deck belt is off pulley. 	<ol style="list-style-type: none"> 1. Install new deck belt. 2. Install deck pulley and check the idler pulley, idler arm and spring for correct position and function.
Blades do not stop when disengaged.	<ol style="list-style-type: none"> 1. Blade brake is not adjusted properly. 2. Belt guide is not properly set 3. PTO engagement is not properly set. 	<ol style="list-style-type: none"> 1. Adjust blade brake. 2. Adjust belt guide to proper position. 3. Check the PTO engagement position.

Schematics

Wiring Diagram





Exmark Commercial Turf Equipment

2 Year Limited Warranty

Conditions and Products Covered

Exmark Mfg. Co. Inc. and its affiliate, Exmark Warranty Company, pursuant to an agreement between them, jointly warrant on the terms and conditions herein, that we will repair, replace or adjust any part on these products and found by us (in the exercise of our reasonable discretion) to be defective in factory materials or workmanship for a period of two years.

This warranty applies to Exmark commercial turf equipment sold in the U.S. or Canada. This warranty may only be assigned or transferred to a second (or third) owner by an authorized Exmark dealer. The warranty period commences upon the date of the original retail purchase.

Warranty Exceptions

- Bags, Belts and Tires
- Battery
- Engine

Warranty Period

90 days
1 Year Prorated *

* The Engine warranty is covered by the engine manufacturer. Please refer to the engine manufacturer's warranty statement that is included in the literature packet.

This warranty only includes the cost of parts and labor.

Items and Conditions Not Covered

This warranty does not cover the following:

- Pickup and delivery charges to and from any authorized Exmark Service Dealer.
- Any damage or deterioration due to normal use, wear and tear, or exposure.
- Cost of regular maintenance service or parts, such as filters, fuel, lubricants, tune-up parts, and adjustments.
- Any product or part which has been altered or misused or required replacement or repair due to normal wear, accidents, or lack of proper maintenance.
- Any repairs necessary due to use of parts, accessories or supplies, including gasoline, oil or lubricants, incompatible with the turf equipment or other than as recommended in the operator's manual or other operational instructions provided by Exmark.

There are no other express warranties except for engine and special emission system coverage.

All warranty work must be performed by an authorized Exmark Service Dealer using Exmark approved replacement parts.

Instructions for Obtaining Warranty Service

The product must be registered with original proof of purchase by an Exmark Service Dealer before obtaining any warranty service.

Contact any Exmark Service Dealer to arrange service at their dealership. To locate a dealer convenient to you, access our website at www.exmark.com. U.S. or Canada customers may also call 402-223-6375.

If for any reason you are dissatisfied with the Service Dealer's analysis or with the assistance provided, contact us at:

Exmark Customer Service Department
The Exmark Warranty Company
2101 Ashland Avenue
Beatrice, NE 68310
402-223-6375 or
service@exmark.com

Owner's Responsibilities

If your product requires warranty service it must be returned to an authorized Exmark service dealer within the warranty period. This warranty extends only to turf equipment operated under normal conditions. You must read the operator's manual. You must also properly service and maintain your Exmark product as described in the operator's manual. Such routine maintenance, whether performed by a dealer or by you, is at your expense.

General Conditions

The sole liability of Exmark and Exmark Warranty Company with respect to this warranty shall be repair or replacement of defective components as set forth herein. **Neither Exmark nor Exmark Warranty Company shall be liable for any incidental or consequential loss or damage.**

Such damages include but are not limited to:

- Expenses related to gasoline, oil or lubricants.
- Travel time, overtime, after hours time or other extraordinary repair charges or charges relating to repairs or replacements outside of normal business hours at the place of business of the authorized Exmark Service Dealer.
- Rental of like or similar replacement equipment during the period of any warranty, repair or replacement work.
- Any telephone or telegram charges or travel charges.
- Loss or damage to person or property other than that covered by the terms of this warranty.
- Any claims for lost revenue, lost profit or additional cost as a result of a claim of breach of warranty.
- Attorney's fees.

No Claim of breach of warranty shall be cause for cancellation or rescission of the contract of sale of any Exmark mower.

All implied warranties of merchantability (that the product is fit for ordinary use) and fitness for use (that the product is fit for a particular purpose) are limited to the duration of the express warranty.

Some states do not allow exclusions of incidental or consequential damages, or limitations on how long an implied warranty lasts, so the above exclusions and limitations may not apply to you.

This warranty gives you specific legal rights, and you may also have other rights which vary from state to state.

G4500-589_C

Notes:

Notes:

Service Record

Date:	Description of Work Done:	Service Done By:

MAXIMIZE THE PERFORMANCE OF YOUR EXMARK.

4-CYCLE PREMIUM ENGINE OIL

Part No. 116-3373

Both SAE 30 and SAE 10W-30 in one bottle.

Contains increased levels of zinc and phosphorus for better lubricity.

No Viscosity Index Improvers that tend to shear down in high heat.

Synthetic formulation.

Gas & Diesel compatible.

Anti-corrosion additives.

API 'SL' and JASO rated with wet clutch compatibility for other machines.

PREMIUM HYDRO OIL

Part No. 109-9828

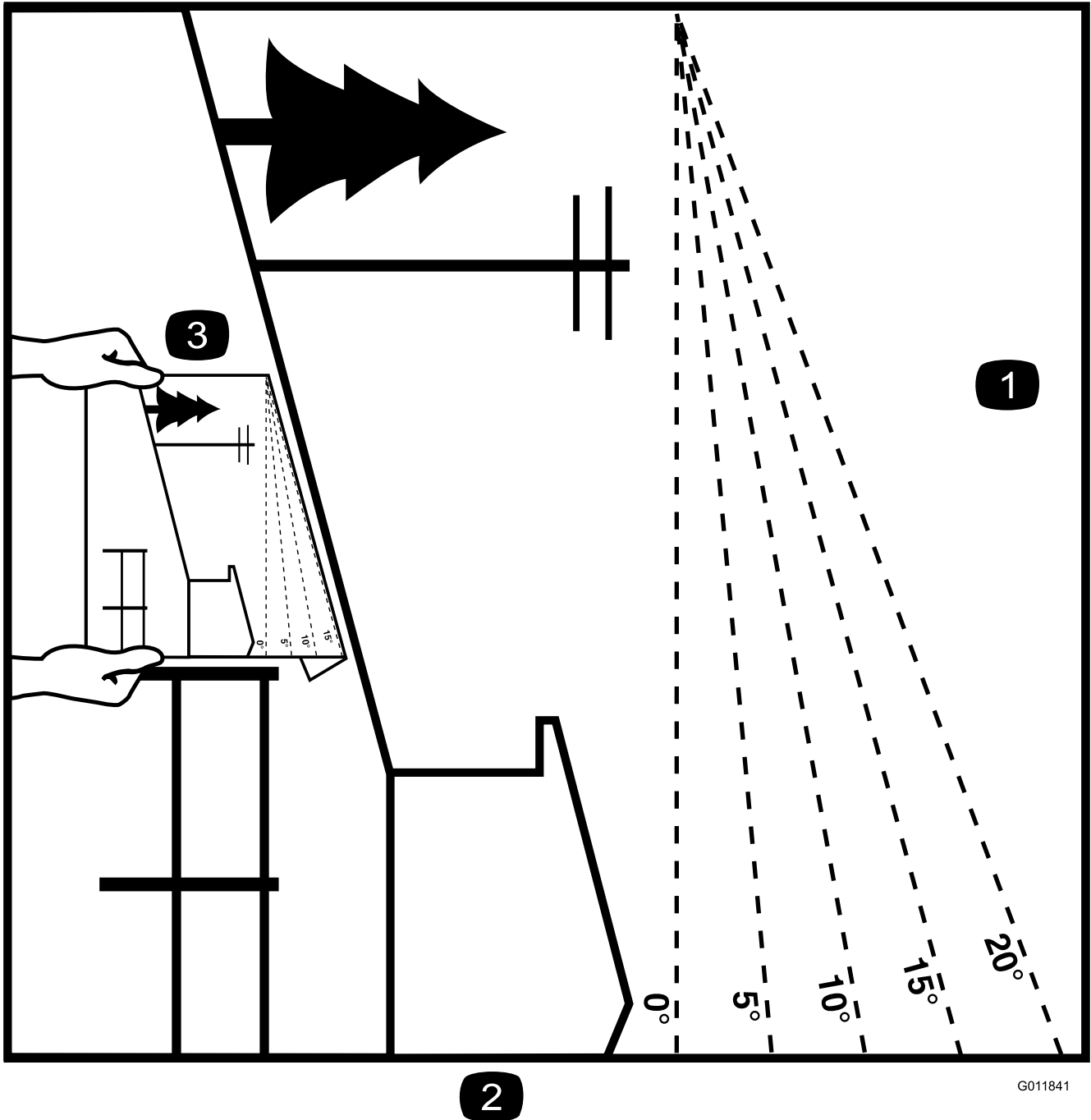
Commercial quality for tough, high-heat conditions.

Designed specifically for zero-turn mower hydraulic systems.

Superior shear resistance under heavy loads.



Available from your local Exmark dealer. Find your closest dealer at exmark.com



G011841

2

Figure 26

This page may be copied for personal use.

1. The maximum slope you can safely operate the machine on is **20 degrees**. Use the slope indicator to determine the degree of slope of hills before operating. **Do Not operate this machine on a slope greater than 20 degrees.** Fold along the appropriate line to match the recommended slope.
2. Align this edge with a vertical surface, a tree, building, fence pole, etc.
3. Example of how to compare slope with folded edge.

SEE EXMARK'S COMPLETE LINE OF ACCESSORIES AND OPTIONS

MID-MOUNT RIDING ACCESSORIES AND OPTIONS

CUSTOM RIDE SEAT SUSPENSION SYSTEM	OPERATOR CONTROLLED DISCHARGE
FULL SUSPENSION SEAT	ROLL OVER PROTECTION SYSTEM (ROPS)
DECK LIFT ASSIST KIT	SUN SHADE
HITCH KIT	TRASH CONTAINER
LIGHT KIT	TURF STRIPER
12V POWER PORT	ULTRA VAC COLLECTION SYSTEM
MICRO-MULCH SYSTEM	ULTRA VAC QUICK DISPOSAL SYSTEM

OUT-FRONT RIDING ACCESSORIES AND OPTIONS

CUSTOM RIDE SEAT SUSPENSION SYSTEM	SNOW BLADE
DUAL-TAIL WHEEL	SNOWBLOWER
FLOOR PAN EXTENDER	SUN SHADE
HITCH KIT	TRASH CONTAINER
LIGHT KIT	ULTRA VAC COLLECTION SYSTEM
MICRO-MULCH SYSTEM	ULTRA VAC QUICK DISPOSAL SYSTEM
ROLL OVER PROTECTION SYSTEM (ROPS)	WEATHER CAB

WALK-BEHIND ACCESSORIES AND OPTIONS

GRASS CATCHER	TURF STRIPER
MICRO-MULCH SYSTEM	STANDON

Place Model No. and Serial No.
Label Here (Included in the Literature
Pack) or Fill in Below

Model No. _____

Serial No. _____

Date Purchased _____

Engine Model No. and Spec. No. _____

Engine Serial No. (E/No) _____

©2010 Exmark Mfg. Co., Inc.
Industrial Park Box 808
Beatrice, NE 68310
All Rights Reserved

Part No. 4500-693 Rev. A
(402) 223-6300
Fax (402) 223-5489
Printed in the USA



www.exmark.com

Free Manuals Download Website

<http://myh66.com>

<http://usermanuals.us>

<http://www.somanuals.com>

<http://www.4manuals.cc>

<http://www.manual-lib.com>

<http://www.404manual.com>

<http://www.luxmanual.com>

<http://aubethermostatmanual.com>

Golf course search by state

<http://golfingnear.com>

Email search by domain

<http://emailbydomain.com>

Auto manuals search

<http://auto.somanuals.com>

TV manuals search

<http://tv.somanuals.com>