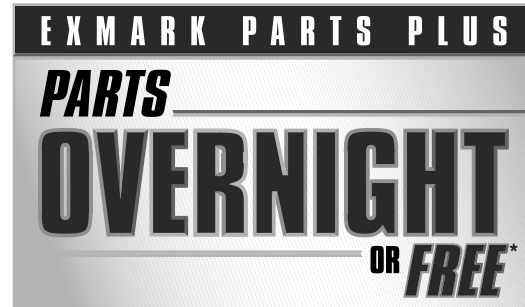


OCDWB01
OPERATOR CONTROLLED
DISCHARGE FOR
WALK-BEHIND UNITS

Part No. 4500-569 Rev. A

Operator's Manual

Exmark reserves the right to make changes or add improvements to its products at any time without incurring any obligation to make such changes to products manufactured previously. Exmark, or its distributors and dealers, accept no responsibility for variations which may be evident in the actual specifications of its products and the statements and descriptions contained in this publication.



If your Exmark dealer does not have the Exmark part in stock, Exmark will get the parts to the dealer the next business day or the part will be FREE Guaranteed!! (Some restrictions apply. See your participating Exmark Dealer for details.)

Introduction

CONGRATULATIONS on the purchase of your Exmark equipment. This product has been carefully designed and manufactured to give you a maximum amount of dependability and years of trouble-free operation.

This manual contains operating, maintenance, adjustment, and safety instructions for your Exmark equipment.

BEFORE OPERATING YOUR MOWER, CAREFULLY READ THIS MANUAL IN ITS ENTIRETY.

By following the operating, maintenance, and safety instructions, you will prolong the life of your equipment, maintain its maximum efficiency, and promote safe operation.

If additional information is needed, or should you require trained mechanic service, contact your authorized Exmark equipment dealer or distributor. Exmark parts manuals are available online at <http://www.exmark.com/manuals.htm>.

All Exmark equipment dealers and distributors are kept informed of the latest methods of servicing and are equipped to provide prompt and efficient service in the field or at their service stations. They carry ample stock of service parts or can secure them promptly for you from the factory.

All Exmark parts are thoroughly tested and inspected before leaving the factory, however, attention is required on your part if you are to obtain the fullest measure of satisfaction and performance.

Whenever you need service, genuine Exmark parts, or additional information, contact an Authorized Service Dealer or Exmark Customer Service.

Contents

Introduction	3
Safety	5
Safety Alert Symbol.....	5
Safe Operating Practices	5
Safety and Instructional Decals	7
Setup	8
Assembling Discharge Deflector to OCDWB01	8
Installing OCDWB01 on Mower Deck	8
Product Overview	12
Operation	13
Opening the Discharge Gate.....	13
Closing the Discharge Gate.....	14
Removing the OCDWB01	14
Maintenance	16
Recommended Maintenance Schedule(s)	16
Periodic Maintenance	16
Check for Loose Hardware	16
Check Discharge Gate Closure.....	16
Adjustments	16
Handle Adjustment	16
Discharge Gate Adjustment.....	17
Troubleshooting	18

Safety

Safety Alert Symbol

This Safety Alert Symbol (Figure 1) is used both in this manual and on the machine to identify important safety messages which must be followed to avoid accidents

This symbol means: **ATTENTION! BECOME ALERT! YOUR SAFETY IS INVOLVED!**



Figure 1

1. Safety alert symbol

The safety alert symbol appears above information which alerts you to unsafe actions or situations and will be followed by the word **DANGER**, **WARNING**, or **CAUTION**.

DANGER: White lettering / Red background. Indicates an imminently hazardous situation which, if not avoided, **Will** result in death or serious injury.

WARNING: Black lettering / Orange background. Indicates a potentially hazardous situation which, if not avoided, **Could** result in death or serious injury.

CAUTION: Black lettering / Yellow background. Indicates a potentially hazardous situation which, if not avoided, **May** result in minor or moderate injury.

This manual uses two other words to highlight information. **Important** calls attention to special mechanical information and **Note** emphasizes general information worthy of special attention.

Safe Operating Practices

Training

- Read the OCDWB01 and tractor Operator's Manuals and other training material. If the operator(s) or mechanic(s) can not read English it is the owner's responsibility to explain this material to them.
- Become familiar with the safe operation of the equipment, operator controls, and safety signs.
- All operators and mechanics should be trained. The owner is responsible for training the users.

- Never let children or untrained people operate or service the equipment. Local regulations may restrict the age of the operator.
- Only adults and mature teenagers should operate a mower, and even mature teenagers should have adult supervision. Be sure a teenager:
 1. has read and understands the Operator's Manual and recognizes the risks involved;
 2. is sufficiently mature to use caution; and
 3. is of sufficient size and weight to operate the controls comfortably and to manage the mower without taking risks.
- The owner/user can prevent and is responsible for accidents or injuries occurring to himself or herself, other people or property.

Preparation

- Evaluate the terrain to determine what accessories and attachments are needed to properly and safely perform the job. Only use accessories and attachments approved by Exmark.
- Wear appropriate clothing including safety glasses, substantial footwear, long trousers, and hearing protection. Do Not operate when barefoot or when wearing open sandals.

CAUTION

The machine that the OCDWB01 attaches to produces sound levels in excess of 85 dBA at the operator's ear and can cause hearing loss through extended periods of exposure.

Wear hearing protection when operating this machine.

- Inspect the area where the equipment is to be used and remove all rocks, toys, sticks, wires, bones, and other foreign objects which can be thrown by the machine and may cause personal injury to the operator or bystanders.

Operation

- Operate only in daylight or good artificial light, keeping away from holes and hidden hazards.
- Never mow with the discharge deflector raised, removed or altered unless there is a grass

Safety

collection system or mulch kit in place and working properly.

- Stop engine, wait for all moving parts to stop, remove key and engage parking brake:
 - Before checking, cleaning or working on the mower.
 - After striking a foreign object or abnormal vibration occurs (inspect the mower for damage and make repairs before restarting and operating the mower).
 - Before clearing blockages.
 - Whenever you leave the mower.

⚠ WARNING

Hands, feet, hair, clothing, or accessories can become entangled in rotating parts. Contact with the rotating parts can cause traumatic amputation or severe lacerations.

- **Do Not operate the machine without guards, shields, and safety devices in place and working properly.**
 - **Keep hands, feet, hair, jewelry, or clothing away from rotating parts.**
- **NEVER** carry passengers. **DO NOT** operate the mower when people, especially children, or pets are in the area.

Maintenance and Storage

- Disengage PTO, set parking brake, stop engine and remove key or disconnect spark plug wire. Wait for all movement to stop before adjusting, cleaning or repairing.
- Use care when checking blades. Wrap the blade(s) or wear gloves, and use caution when servicing them. Only replace damaged blades. Never straighten or weld them.
- Keep all guards, shields and all safety devices in place and in safe working condition.
- Check all bolts frequently to maintain proper tightness.
- Frequently check for worn or deteriorating components that could create a hazard.

⚠ WARNING

Removing standard original equipment parts, or using non-Exmark replacement parts and accessories may alter the warranty, traction, and safety of the machine. Failure to use original Exmark parts could cause serious injury or death.

Replace all parts with original Exmark parts.

Safety and Instructional Decals

- Keep all safety signs legible. Remove all grease, dirt and debris from safety signs and instructional labels.
- Replace all worn, damaged, or missing safety signs.
- When replacement components are installed, be sure that current safety signs are affixed to the replaced components.
- If an attachment or accessory has been installed, make sure current safety signs are visible.
- New safety signs may be obtained from your authorized Exmark equipment dealer or distributor or from Exmark Mfg. Co. Inc.
- Safety signs may be affixed by peeling off the backing to expose the adhesive surface. Apply only to a clean, dry surface. Smooth to remove any air bubbles.
- Familiarize yourself with the following safety signs and instruction labels. They are critical to the safe operation of your Exmark commercial mower.



98-5954



116-1537

Setup

Assembling Discharge Deflector to OCDWB01

Insert the rod through the first tab on the gate link frame, discharge deflector, and second tab on the gate link frame (Figure 2). Orient and install the spring so that the loop will rest in the notch on the discharge deflector. Continue to push the rod into the linkage cover. Orient and install the hairpins into the ends of the rod as shown in Figure 2.

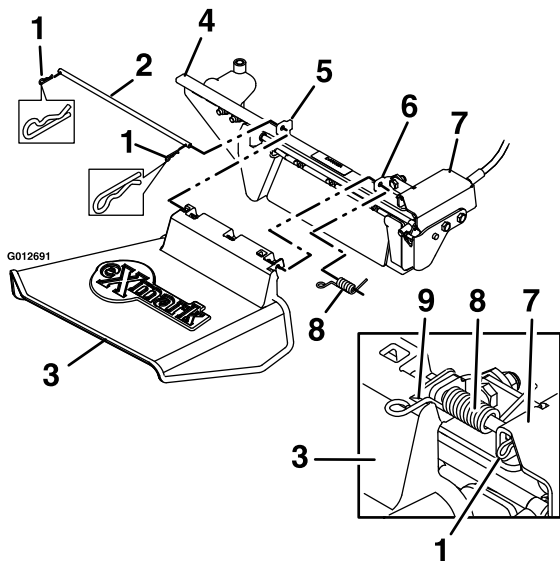


Figure 2

- | | |
|------------------------|------------------|
| 1. Hairpin | 6. Second tab |
| 2. Rod | 7. Linkage cover |
| 3. Discharge deflector | 8. Spring |
| 4. Gate link frame | 9. Notch |
| 5. First tab | |

Installing OCDWB01 on Mower Deck

For 32 inch, 36 inch, or Vantage decks: Use a hammer and chisel to knock out the tab, as shown in Figure 3, before starting the installation instructions. Knocking out the tab allows the OCDWB01 frame to fit properly to these decks.

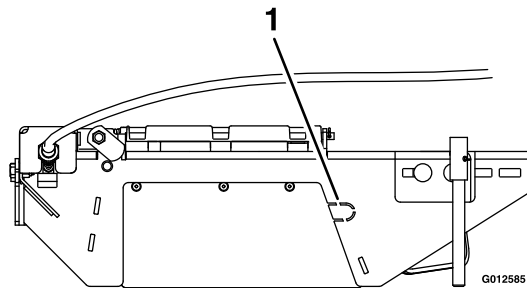


Figure 3

1. Knock out tab

1. Flip up the existing discharge deflector.

Important: The OCDWB01 comes with its own discharge deflector. When using the OCDWB01, Exmark recommends the original discharge deflector to remain installed on the unit and in the flipped up position. There are some instances where the existing discharge deflector must be removed when installing the OCDWB01. If the original discharge deflector is removed during the OCDWB01 installation, retain the discharge deflector and its hardware for reinstallation once the OCDWB01 is removed.

2. Install the OCDWB01 assembly by inserting the mounting pin into the tube welded to the rear corner of the deck (see Figure 4).

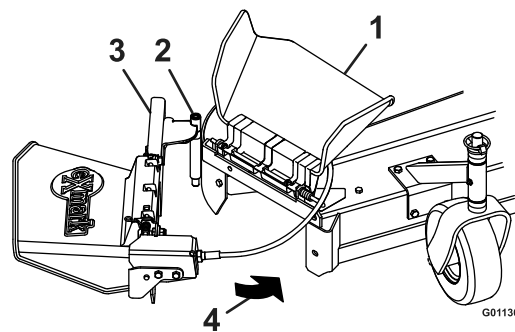


Figure 4

- | | |
|---|---------------------|
| 1. Flip up discharge chute | 3. OCDWB01 assembly |
| 2. Mounting pin inserted into deck tube | 4. Rotate |

3. Pivot the assembly towards the deck. The front pin should engage into the slot in the deck as shown in Figure 5.

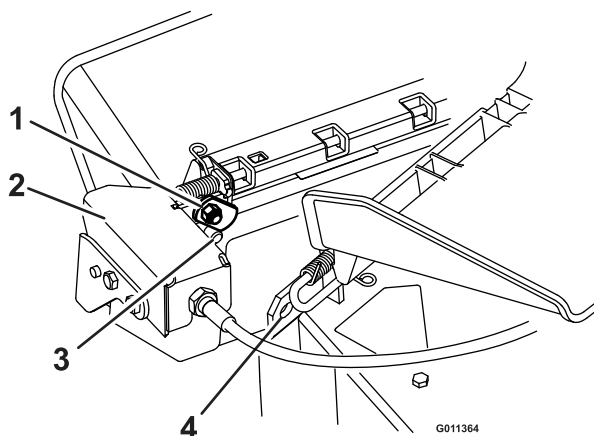


Figure 5

- | | |
|---------------------|--------------|
| 1. Latch | 3. Front pin |
| 2. OCDWB01 assembly | 4. Slot |

- If the front pin does not engage in the slot in the deck, loosen or completely remove the hardware in the gate link frame as shown in Figure 6. Position the gate link frame so that the front pin aligns with the slot. Reinstall hardware, if removed, and tighten. Pivot the assembly towards the deck and engage the front pin into the slot.

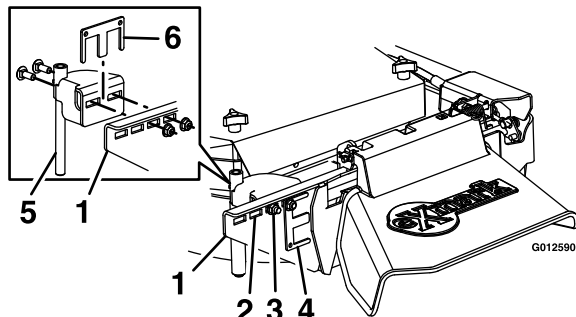


Figure 6

- | | |
|---------------------|------------------------------|
| 1. Gate link frame | 4. Shim (storage position) |
| 2. Adjustment slots | 5. Pivot mount assembly |
| 3. Hardware | 6. Shim (installed position) |

- Due to manufacturing variance, the gate link frame may not close and have complete contact all around the discharge opening. Any gaps are to be minimized. If the rear of the gate link frame contacts the mower deck while rotating it towards the deck creating a gap at the front, use the steps below to install a shim. If the gate link frame has complete contact all around the discharge opening, the shim is not necessary. It can remain in the

storage position for potential later use on other mower decks.

- Remove the shim located on the front of the gate link frame and loosely reinstall the nut.
 - Loosen the nut on the left adjustment slot of the gate link frame.
 - Install the shim between the gate link frame and the pivot mount assembly. Position the center tab of the shim between the two mounting bolts as shown in Figure 6.
 - Tighten hardware.
- Rotate the latch downward to lock the assembly in this position (reference Figure 5). Adjust the tension on the latch to hold the assembly up to the deck, yet allow for release by hand. Tension can be adjusted by tightening or loosening the hardware that retains the latch.
 - Install the mounting bracket to the unit.

- **For all Walk-Behind Units except Vantage:**

- Position the mounting bracket vertically, with the wide opening of the bracket pointed upward, and install on the front of the unit as shown in Figure 7.

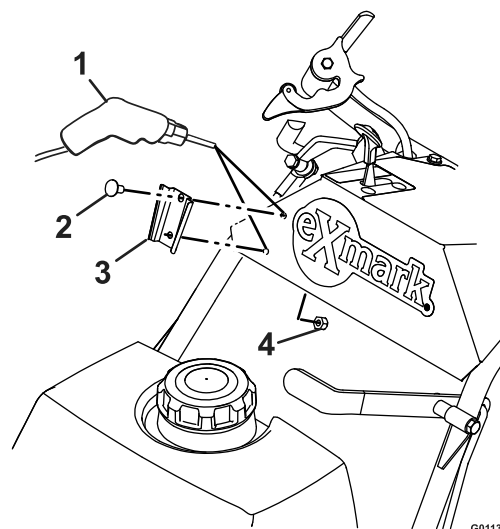


Figure 7

- | | |
|-------------------------------------|------------------------|
| 1. Drill | 3. Mounting bracket |
| 2. 5/16-18 x 5/8 inch carriage bolt | 4. 5/16 inch nyloc nut |

- Using the mounting bracket as a template, mark the two hole locations on the front panel of the unit (see Figure 7). Make sure

Setup

there will be room to tighten the nut on the upper hole, on the underside of the front panel.

- C. Drill two 11/32 inch diameter holes on the front panel as shown in Figure 7.
- D. Align the two holes in the mounting bracket with the front panel of the unit. Install 5/16-18 x 5/8 inch carriage bolt through the upper hole and secure with 5/16 inch nyloc nut.
- E. Insert the handle assembly into the mounting bracket as shown in Figure 8.

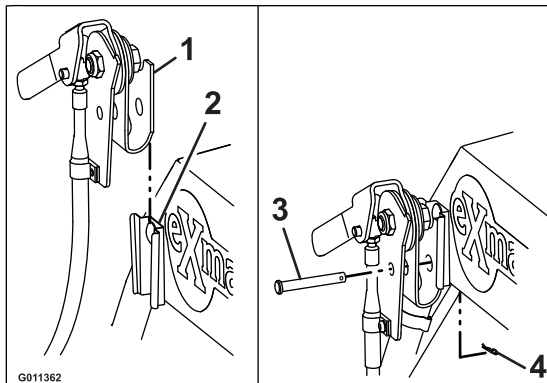


Figure 8

- 1. Handle assembly
- 2. Mounting bracket
- 3. Clevis pin
- 4. Hairpin

- F. Insert the clevis pin through the handle assembly hole, into the bottom hole of the mount bracket and through the front panel of the unit. Install the hairpin through the hole on the clevis pin (Figure 8).
- G. If the mower deck is not equipped with belt shield knobs, skip to step H. If the deck does have belt shield knobs, secure the loom clip by removing the rear knob on the belt shield. Place the loom clip onto the belt shield stud and reinstall the knob onto the belt shield (Figure 9).

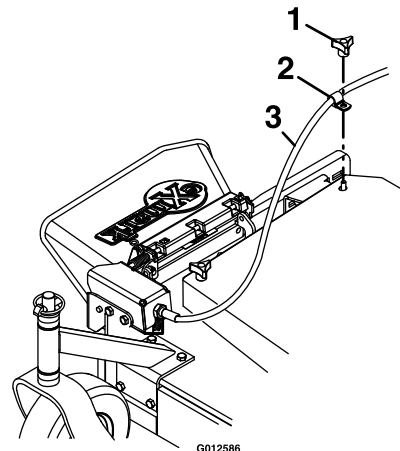


Figure 9

- 1. Knob
- 2. Loom clip
- 3. Handle assembly cable

- H. Use velcro straps to secure the cable as shown in Figure 10.

Important: Keep the cable away from heat sources such as the muffler and manifold.

Important: Belt shields must be in place before operating the OCDWB01.

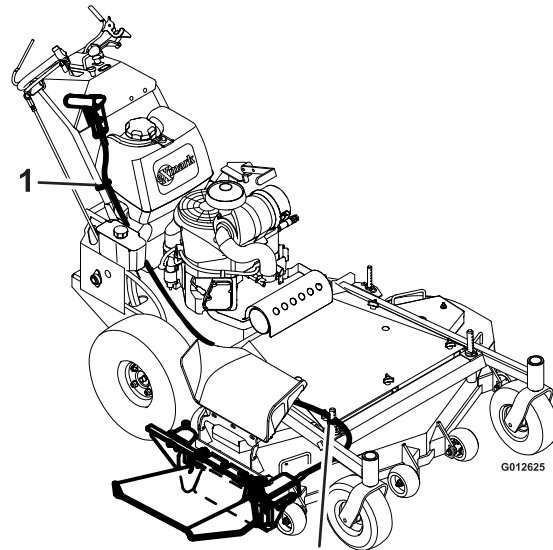


Figure 10

- 1. Velcro strap

- **For Vantage Units:**

- A. The bracket is installed on the left side panel with the wide opening pointed toward the rear of the machine as shown in Figure 11.

- B. Align the existing hole at the rear of the unit with the right hole on the bracket.
- C. Position the bracket horizontally or with the narrow end pointed slightly downward.
- D. Using the mounting bracket as a template, mark the left hole location onto the side panel of the unit and drill 11/32 inch diameter hole (see Figure 11).

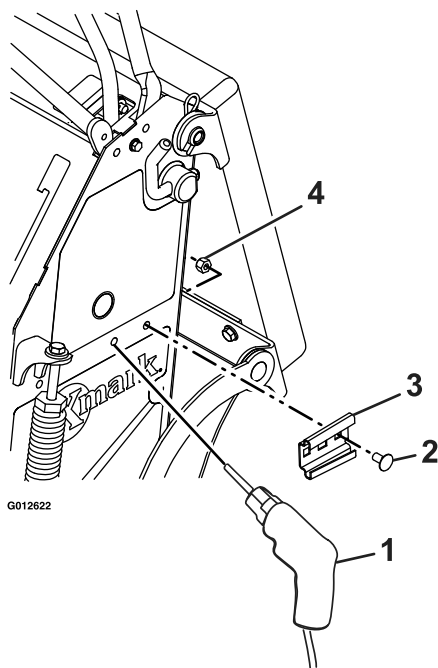


Figure 11

- | | |
|-------------------------------------|------------------------|
| 1. Drill | 3. Mounting bracket |
| 2. 5/16-18 x 5/8 inch carriage bolt | 4. 5/16 inch nyloc nut |

- E. Align the two holes in the mounting bracket with the panel of the unit. Install 5/16-18 x 5/8 inch carriage bolt and 5/16 inch nyloc nut in the hole on the right side.
- F. Insert the handle assembly into the mounting bracket as shown in Figure 12.

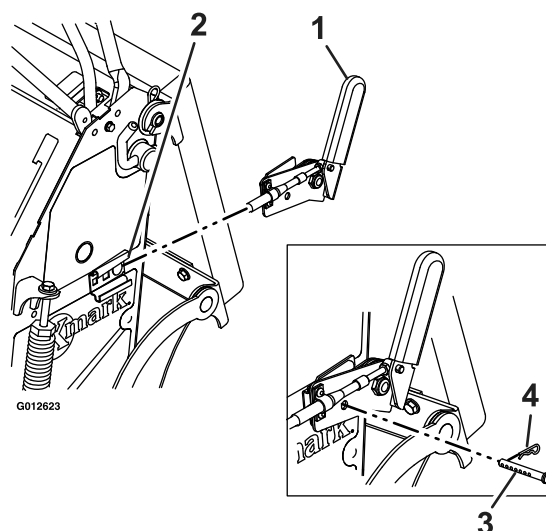


Figure 12

- | | |
|---------------------|---------------|
| 1. Handle assembly | 3. Clevis pin |
| 2. Mounting bracket | 4. Hairpin |

- G. Insert the clevis pin through the handle assembly hole, into the left hole of the mounting bracket, and through the panel of the unit. Secure the handle assembly with hairpin as shown in Figure 12.
- H. Remove the nut from the front panel guard, install the loom clip, and replace nut as shown in Figure 13.

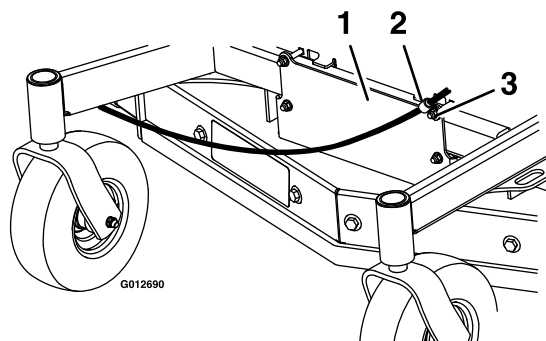


Figure 13

- | | |
|----------------------|--------|
| 1. Front panel guard | 3. Nut |
| 2. Loom clip | |

- I. Use velcro straps to secure the cable as shown in Figure 14.

Important: Keep the cable away from heat sources such as the muffler and manifold.

Important: Belt shields must be in place before operating the OCDWB01.

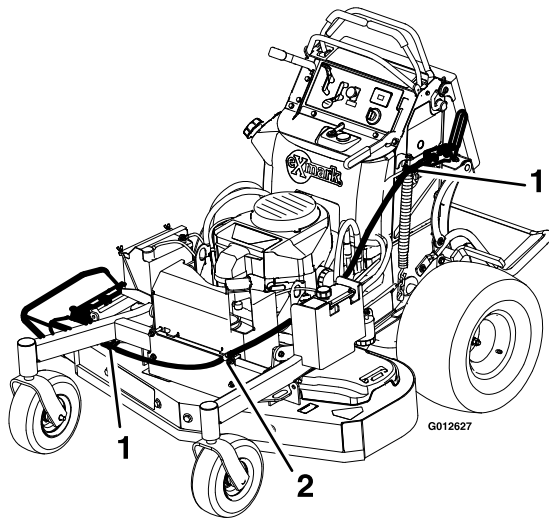


Figure 14

- 1. Velcro strap
 - 2. Loom clip
-

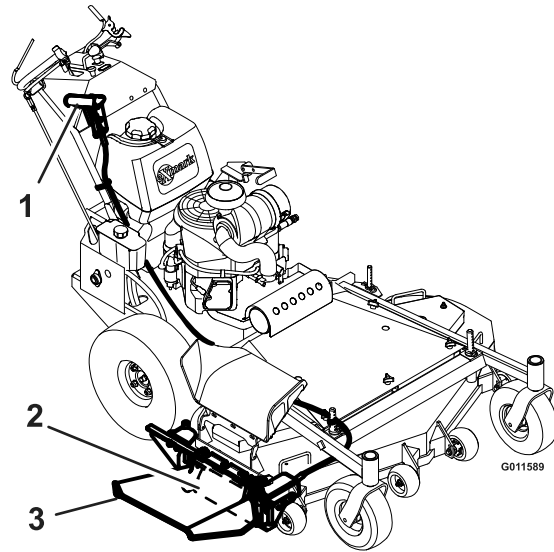


Figure 15

- 1. Handle
 - 2. Discharge gate (under discharge deflector)
 - 3. Discharge deflector
-

Operation

Use the discharge gate to temporarily stop or deflect grass clippings away from sidewalks, parking lots, patios, or anywhere grass clippings are not desired to be discharged. The handle allows the discharge gate to be held in any position from fully closed to fully open.

Important: Make sure the mower is in neutral before operating the handle of the discharge gate.

Important: Always mow with the discharge deflector installed and in the down position.

⚠ DANGER

An uncovered discharge opening will allow objects to be thrown in an operator's or bystanders's direction. Also contact with the blade could occur. Thrown objects or blade contact can cause serious injury or death.

Never operate the mower with the discharge deflector raised, removed, or altered unless there is a grass collection system or mulch kit in place and working properly.

⚠ DANGER

The rotating blades under the mower deck are dangerous. Blade contact can cause serious injury or kill you.

Do Not put hands or feet under the mower or mower deck when the blades are engaged.

Opening the Discharge Gate

For all Walk-Behind Units except Vantage: Rotate the handle upward to open the gate.

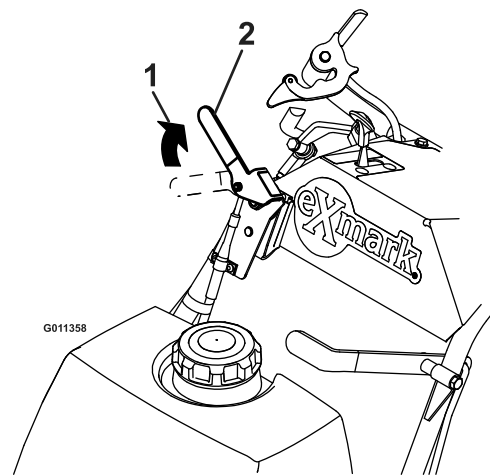


Figure 16

1. Rotate upward
2. Handle in gate open position

For Vantage Units: Rotate the handle rearward to open the gate.

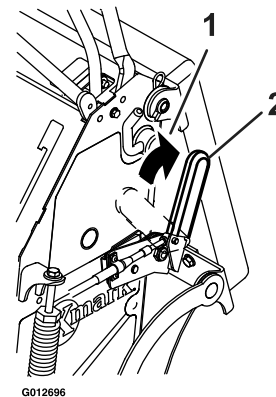


Figure 17

1. Rotate rearward
2. Handle in gate open position

Operation

Closing the Discharge Gate

For all Walk-Behind Units except Vantage: Push down on the handle to close the gate.

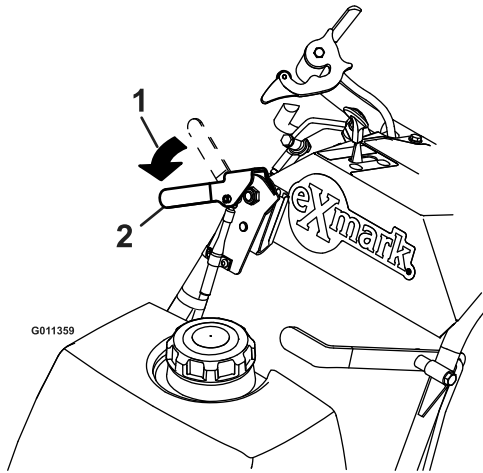


Figure 18

1. Push down
2. Handle in gate closed position

For Vantage Units: Push forward on the handle to close the gate.

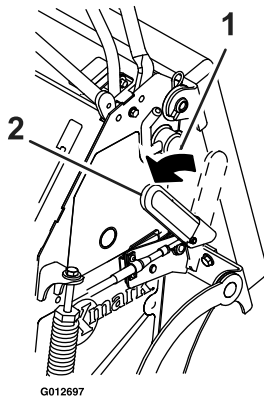


Figure 19

1. Push forward
2. Handle in gate closed position

Removing the OCDWB01

1. Remove and retain the velcro straps that secure the handle assembly cable to the mower. If installed, remove and retain the loom clip from the deck and replace the rear knob.
2. Remove the hairpin and clevis pin from the handle assembly.
3. Remove the handle assembly:
 - **For all Walk-Behind Units except Vantage:** Slide the handle assembly upward and out of the mounting bracket as shown in Figure 20.

Note: The mounting bracket does not have to be removed from the front panel.

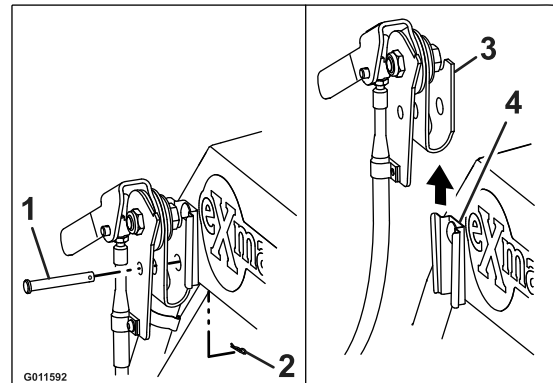


Figure 20

1. Clevis pin
2. Hairpin
3. Handle assembly
4. Mounting bracket

- **For Vantage Units:** Slide the handle assembly rearward and out of the mounting bracket as shown in Figure 20.

Note: The mounting bracket does not have to be removed from the side panel.

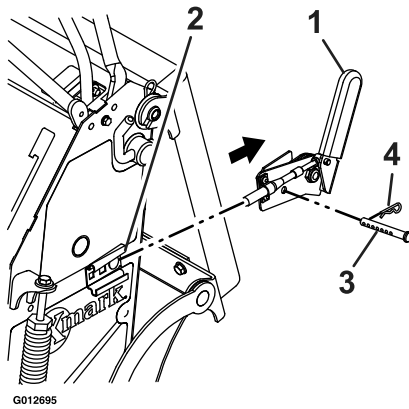


Figure 21

- | | |
|---------------------|---------------|
| 1. Handle assembly | 3. Clevis pin |
| 2. Mounting bracket | 4. Hairpin |

4. Unlock the assembly and pivot it away from the mower deck. Lift the OCDWB01 out of the deck mounting tube.
5. Lower the existing discharge deflector.

Important: Reinstall the original discharge deflector if it was removed during the OCDWB01 installation.

6. The machine can now be used for side discharge mowing.

Maintenance

Note: Determine the left and right sides of the machine from the normal operating position.

⚠ WARNING

While maintenance or adjustments are being made, someone could start the engine. Accidental starting of the engine could seriously injure you or other bystanders.

Remove the key from the ignition switch, engage parking brake, and pull the wire(s) off the spark plug(s) before you do any maintenance. Also push the wire(s) aside so it does not accidentally contact the spark plug(s).

Recommended Maintenance Schedule(s)

Maintenance Service Interval	Maintenance Procedure
Before each use or daily	<ul style="list-style-type: none">• Check for loose hardware.• Check discharge gate closure.

Periodic Maintenance

Check for Loose Hardware

Service Interval: Before each use or daily

1. Stop engine, wait for all moving parts to stop, and remove key. Engage parking brake.
2. Visually inspect machine for any loose hardware or any other possible problem. Tighten hardware or correct the problem before operating.

Check Discharge Gate Closure

Service Interval: Before each use or daily

1. Stop engine, wait for all moving parts to stop, and remove key. Engage parking brake.
2. Visually inspect that the discharge gate closes flat against the discharge opening. If not, reshape the discharge gate so it closes properly and completely.

Adjustments

Note: Disengage PTO, shut off engine, wait for all moving parts to stop, engage parking brake, and remove key before servicing, cleaning, or making any adjustments to the unit.

Handle Adjustment

The handle allows the gate to be held in any position. Adjust the tension of the pivot bolt and nut as shown in Figure 22 for more or less resistance.

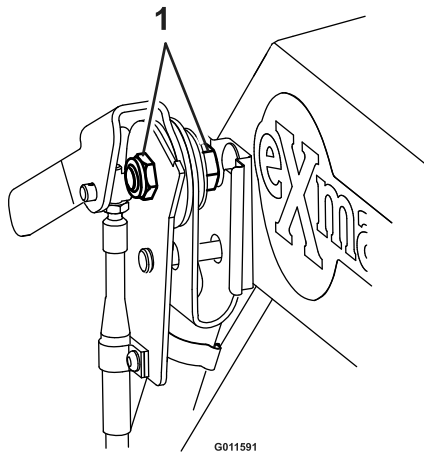


Figure 22

1. Pivot bolt and nut

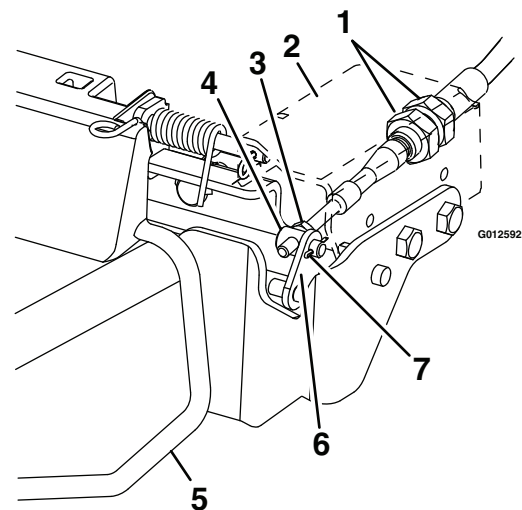


Figure 23

1. Cable nuts
2. Linkage cover (shown hidden for clarity)
3. Lock nut
4. Pivot adjuster
5. Discharge deflector
6. Gate pivot
7. Cotter pin

Discharge Gate Adjustment

The discharge gate is properly adjusted in the closed position when the discharge gate is flat against the discharge opening.

If the discharge gate does not close flat follow the steps below:

1. Stop engine, wait for all moving parts to stop, and remove key. Engage parking brake.
2. Place the handle in the closed position, refer to **Closing the Discharge Gate** in the Operation section.
3. Unlock the OCDWB01 assembly and pivot it away from the mower deck.
4. Adjust the cable nuts located behind and under the linkage cover (see Figure 23). Turn nuts until desired gate position is achieved.

5. If more adjustment is necessary, remove the cotter pin shown in Figure 23.
6. Remove the pivot adjuster from the gate pivot.
7. Loosen the lock nut.
8. Thread the pivot adjuster forward or backward until desired result is achieved.
9. Tighten the lock nut and reinstall the pivot adjuster into the gate pivot and secure with the cotter pin.
10. Repeat steps 4 through 9 until the discharge gate is properly adjusted.

The discharge gate is properly adjusted in the open position when the gate handle hits the fully open stop and the discharge gate makes contact, or almost makes contact, with the discharge deflector.

If the discharge gate does not open fully, repeat steps 4 through 9 to readjust. The discharge gate will not close as tight against the discharge opening after this adjustment is made.

Troubleshooting

Important: It is essential that all operator safety mechanisms be connected and in proper operating condition prior to mower use.

The following table lists some of the common causes of trouble. If assistance is needed, contact your Exmark Service Dealer.

Problem	Possible Cause	Corrective Action
Discharge gate does not open and/or close.	<ol style="list-style-type: none">1. Discharge gate is deformed.2. Discharge gate is not adjusted properly.3. Cable is disconnected at one or both ends.	<ol style="list-style-type: none">1. Reshape the discharge gate.2. Adjust the cable nuts and/or pivot gate.3. Reconnect cable.
Handle is too loose or tight.	<ol style="list-style-type: none">1. Pivot bolt and nut not adjusted properly.	<ol style="list-style-type: none">1. Adjust the bolt and nut for proper resistance.

Exmark Commercial Attachments and Accessories 90 Day Limited Warranty

Conditions and Products Covered

Exmark Mfg. Co. Inc. and its affiliate, Exmark Warranty Company, pursuant to an agreement between them, jointly warrant on the terms and conditions herein, that we will repair, replace or adjust any part on these products and found by us (in the exercise of our reasonable discretion) to be defective in factory materials or workmanship for a period of 90 days.

This warranty applies to Exmark commercial attachments and accessories sold in the U.S. or Canada. This warranty may only be assigned or transferred to a second (or third) owner by an authorized Exmark dealer. The warranty period commences upon the date of the original retail purchase.

This warranty only includes the cost of parts and labor.

Items and Conditions Not Covered

This warranty does not cover the following:

- Pickup and delivery charges to and from any authorized Exmark Service Dealer.
- Any damage or deterioration due to normal use, wear and tear, or exposure.
- Cost of regular maintenance service or parts, such as filters, fuel, lubricants, tune-up parts, and adjustments.
- Any product or part which has been altered or misused or required replacement or repair due to normal wear, accidents, or lack of proper maintenance.
- Any repairs necessary due to use of parts, accessories or supplies, including gasoline, oil or lubricants, incompatible with the attachment or accessory or other than as recommended in the operator's manual or other operational instructions provided by Exmark.

All warranty work must be performed by an authorized Exmark Service Dealer using Exmark approved replacement parts.

Instructions for Obtaining Warranty Service

The product must be registered with original proof of purchase by an Exmark Service Dealer before obtaining any warranty service.

Contact any Exmark Service Dealer to arrange service at their dealership. To locate a dealer convenient to you, access our website at www.exmark.com. U.S. or Canada customers may also call 402-223-6375.

If for any reason you are dissatisfied with the Service Dealer's analysis or with the assistance provided, contact us at:

Exmark Customer Service Department
The Exmark Warranty Company
2101 Ashland Avenue
Beatrice, NE 68310
402-223-6375 or
service@exmark.com

Owner's Responsibilities

If your product requires warranty service it must be returned to an authorized Exmark service dealer within the warranty period. This warranty extends only to commercial attachments and accessories operated under normal conditions. You must read the operator's manual. You must also properly service and maintain your Exmark product as described in the operator's manual or other operational instructions provided by Exmark. Such routine maintenance, whether performed by a dealer or by you, is at your expense.

General Conditions

The sole liability of Exmark and Exmark Warranty Company with respect to this warranty shall be repair or replacement of defective components as set forth herein. **Neither Exmark nor Exmark Warranty Company shall be liable for any incidental or consequential loss or damage.**

Such damages include but are not limited to:

- Expenses related to gasoline, oil or lubricants.
- Travel time, overtime, after hours time or other extraordinary repair charges or charges relating to repairs or replacements outside of normal business hours at the place of business of the authorized Exmark Service Dealer.
- Rental of like or similar replacement equipment during the period of any warranty, repair or replacement work.
- Any telephone or telegram charges or travel charges.
- Loss or damage to person or property other than that covered by the terms of this warranty.
- Any claims for lost revenue, lost profit or additional cost as a result of a claim of breach of warranty.
- Attorney's fees.

No Claim of breach of warranty shall be cause for cancellation or rescission of the contract of sale of any Exmark attachment or accessory.

All implied warranties of merchantability (that the product is fit for ordinary use) and fitness for use (that the product is fit for a particular purpose) are limited to the duration of the express warranty.

Some states do not allow exclusions of incidental or consequential damages, or limitations on how long an implied warranty lasts, so the above exclusions and limitations may not apply to you.

This warranty gives you specific legal rights, and you may also have other rights which vary from state to state.

SEE EXMARK'S COMPLETE LINE OF ACCESSORIES AND OPTIONS

MID-MOUNT RIDING ACCESSORIES AND OPTIONS

CUSTOM RIDE SEAT SUSPENSION SYSTEM	OPERATOR CONTROLLED DISCHARGE
FULL SUSPENSION SEAT	ROLL OVER PROTECTION SYSTEM (ROPS)
DECK LIFT ASSIST KIT	SUN SHADE
HITCH KIT	TRASH CONTAINER
LIGHT KIT	TURF STRIPER
12V POWER PORT	ULTRA VAC COLLECTION SYSTEM
MICRO-MULCH SYSTEM	ULTRA VAC QUICK DISPOSAL SYSTEM

OUT-FRONT RIDING ACCESSORIES AND OPTIONS

CUSTOM RIDE SEAT SUSPENSION SYSTEM	SNOW BLADE
DUAL-TAIL WHEEL	SNOWBLOWER
FLOOR PAN EXTENDER	SUN SHADE
HITCH KIT	TRASH CONTAINER
LIGHT KIT	ULTRA VAC COLLECTION SYSTEM
MICRO-MULCH SYSTEM	ULTRA VAC QUICK DISPOSAL SYSTEM
ROLL OVER PROTECTION SYSTEM (ROPS)	WEATHER CAB

WALK-BEHIND ACCESSORIES AND OPTIONS

GRASS CATCHER	TURF STRIPER
MICRO-MULCH SYSTEM	STANDON

Place Model No. and Serial No.
Label Here (Included in the Literature
Pack) or Fill in Below

Model No. _____

Serial No. _____

Date Purchased _____

© 2010 Exmark Mfg. Co., Inc.
Industrial Park Box 808
Beatrice, NE 68310
All Rights Reserved

Part No. 4500-569 Rev. A
(402) 223-6300
Fax (402) 223-5489
Printed in the USA



www.exmark.com

Free Manuals Download Website

<http://myh66.com>

<http://usermanuals.us>

<http://www.somanuals.com>

<http://www.4manuals.cc>

<http://www.manual-lib.com>

<http://www.404manual.com>

<http://www.luxmanual.com>

<http://aubethermostatmanual.com>

Golf course search by state

<http://golfingnear.com>

Email search by domain

<http://emailbydomain.com>

Auto manuals search

<http://auto.somanuals.com>

TV manuals search

<http://tv.somanuals.com>