



PHAZER™

**For Serial Nos.
790,000 & Higher**
Part No. 4500-461 Rev. A

Parts Manual

EXMARK PARTS PLUS

PARTS

OVERNIGHT
OR *FREE**

If your Exmark dealer does not have the Exmark part in stock, Exmark will get the parts to the dealer the next business day or the part will be FREE Guaranteed!! (Some restrictions apply. See your participating Exmark Dealer for details.)

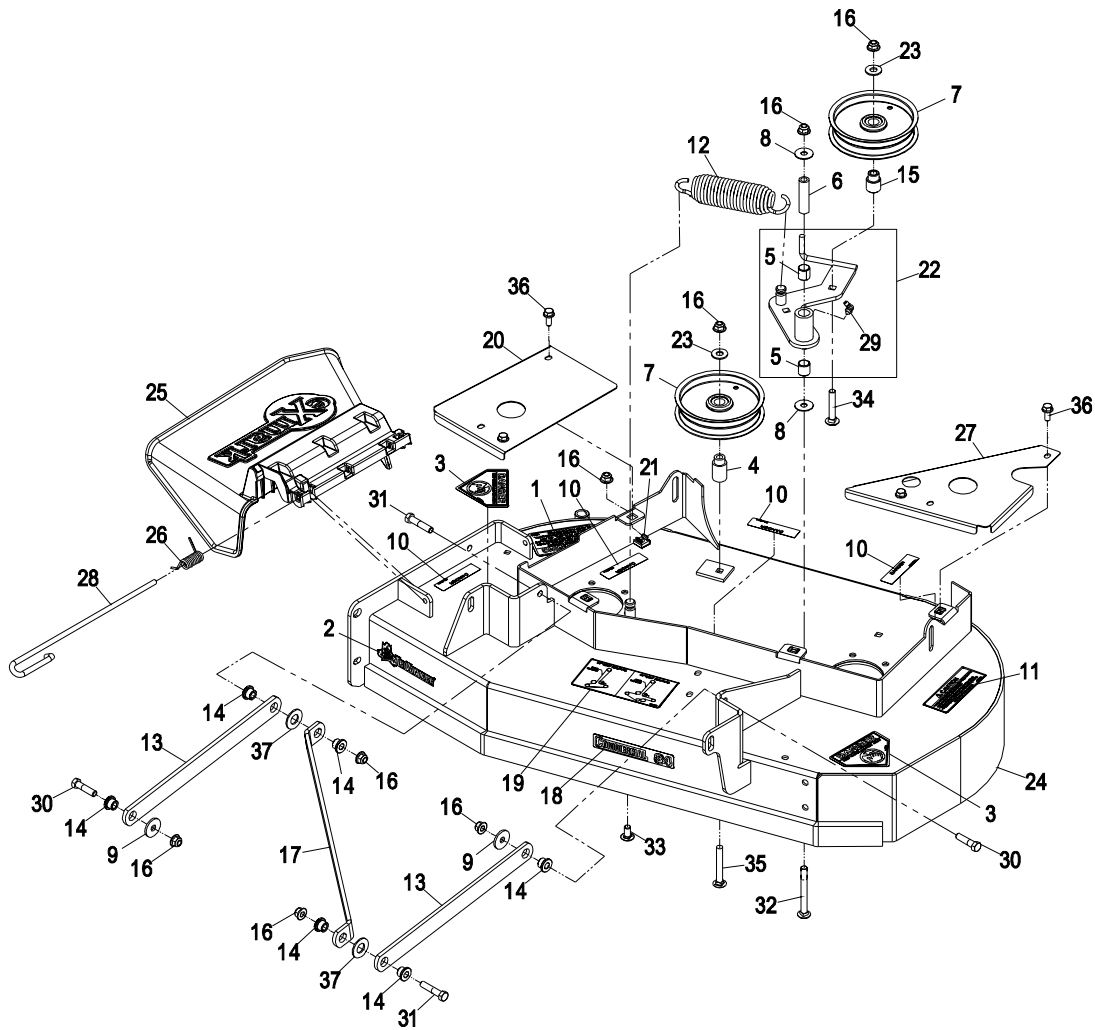


**READ OPERATOR'S MANUAL BEFORE
OPERATING OR SERVICING EXMARK EQUIPMENT**

TABLE OF CONTENTS

| <u>Description</u> | <u>Page</u> |
|----------------------------------|--------------------|
| 34" Deck Group | 3-4 |
| Decal Group | 13 |
| Electrical Diagram..... | 15 |
| Electrical Group | 14 |
| Electrical Logic Schematic | 16 |
| Engine Group | 11 |
| Frame Group | 5-6 |
| Fuel Group..... | 10 |
| Motion Control Group | 7 |
| Park Brake Group..... | 8 |
| Seat Group | 9 |
| Transaxle Group..... | 12 |

34" DECK GROUP



| Item | Part No. | Description | Qty. |
|------|----------|-------------------------------|------|
| 1 | 1-303508 | Decal, Discharge Warning..... | 1 |
| 2 | 1-303520 | Decal, Trivantage..... | 1 |
| 3 | 1-403005 | Decal, Danger..... | 2 |
| 4 | 1-413113 | Bushing, Idler..... | 1 |
| 5 | 1-513034 | Sleeve, Bearing..... | 2 |
| 6 | 1-603384 | Bushing, Idler Pivot..... | 1 |
| 7 | 1-613098 | Idler, Flat..... | 2 |
| 8 | 52-2860 | Washer..... | 2 |
| 9 | 63-8410 | Washer..... | 2 |
| 10 | 98-5954 | Decal-Danger..... | 4 |
| 11 | 103-1077 | Decal, Bolt Torque..... | 1 |
| 12 | 103-3330 | Spring, Extension..... | 1 |
| 13 | 103-3898 | Flat, Strut..... | 2 |
| 14 | 103-3900 | Spacer, Strut..... | 6 |
| 15 | 103-9948 | Bushing, Idler..... | 1 |
| 16 | 104-8301 | Nut, Nyloc 3/8-16 Flg..... | 8 |
| 17 | 109-0381 | Brace, Deck Linkage..... | 1 |
| 18 | 109-2462 | Decal, Commercial 34..... | 1 |
| 19 | 109-2465 | Decal, Belt Routing..... | 1 |

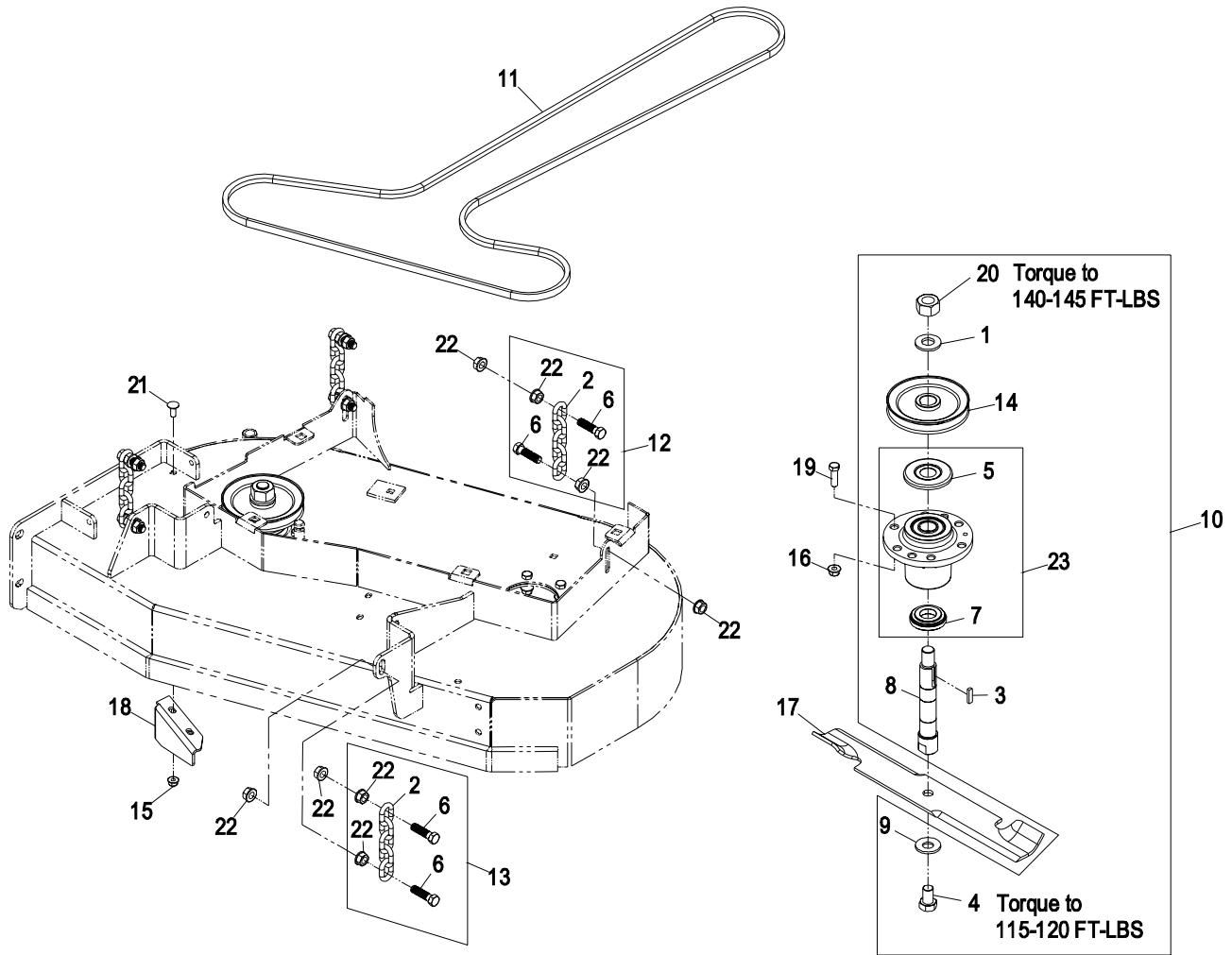
| Item | Part No. | Description | Qty. |
|------|-------------|------------------------------------|------|
| 20 | 109-3086-01 | Cover, RH Spindle..... | 1 |
| 21 | 109-3100 | Nut, Cage 5/16..... | 4 |
| 22 | 109-3891 | Asm, Idler Arm W/Bearings..... | 1 |
| 23 | 3256-4 | Washer, 3/8 Std..... | 2 |
| 24■ | 109-9467 | Asm, Deck W/Decals..... | 1 |
| 25 | 109-5150 | Chute, Discharge..... | 1 |
| 26 | 109-6886 | Spring, Torsion..... | 1 |
| 27 | 109-9441-01 | Cover, Left Spindle..... | 1 |
| 28 | 109-9461 | Pin, Chute..... | 1 |
| 29 | 302-40 | Zerk, 90° 1/4-28..... | 1 |
| 30 | 323-8 | Screw, HH 3/8-16 x 1 1/2..... | 2 |
| 31 | 323-9 | Screw, HH 3/8-16 x 1 3/4..... | 2 |
| 32 | 3231-11 | Bolt, Carriage 3/8-16 x 3 1/2..... | 1 |
| 33 | 3231-21 | Bolt, Carriage 3/8-16 x 3/4..... | 1 |
| 34 | 3231-7 | Bolt, Carriage 3/8-16 x 2 1/4..... | 1 |
| 35 | 3231-9 | Bolt, Carriage 3/8-16 x 2 3/4..... | 1 |
| 36 | 3234-47 | Screw, HH FLG 5/16-18 x 3/4..... | 4 |
| 37 | 3256-27 | Washer, 5/8 SAE..... | 2 |
| 38▲ | 109-9473 | Asm, Deck Complete..... | 1 |

Exmark red touch up paint (spray paint - P/N 1-850337 - .6 oz liquid bottle - P/N 103-9140).

▲ Includes all item shown on pages 3 & 4. Does not include struts or strut hardware.

■ Includes items 25, 26, & 28.

34" DECK GROUP (cont)



| Item | Part No. | Description | Qty. |
|------|----------|-----------------------------------|------|
| 1 | 1-513208 | Washer, Spring Disc 5/8..... | 2 |
| 2 | 1-633447 | Chain, Deck Lift..... | 4 |
| 3 | 1-807268 | Key, Machine 1/4 x 3/16 x 1 | 2 |
| 4 | 103-1026 | Screw, HH 5/8-11 x 1 Gr 8 | 2 |
| 5+ | 103-1330 | Guard, Bearing Top..... | 2 |
| 6 | 103-1898 | Screw, HH 7/16-20 x 1-5/8 Sp..... | 8 |
| 7 | 103-2535 | Spacer, Guard Bottom | 2 |
| 8+ | 103-2788 | Spindle..... | 2 |
| 9 | 103-2802 | Washer, Spring Disc 3/4..... | 2 |
| 10 | 109-3522 | Asm, Cutter Housing Complete..... | 2 |
| 11 | 103-9366 | Belt, Blade | 1 |
| 12 | 103-9792 | Asm, Chain Deck | 1 |
| 13 | 103-9817 | Asm, Chain Deck | 3 |

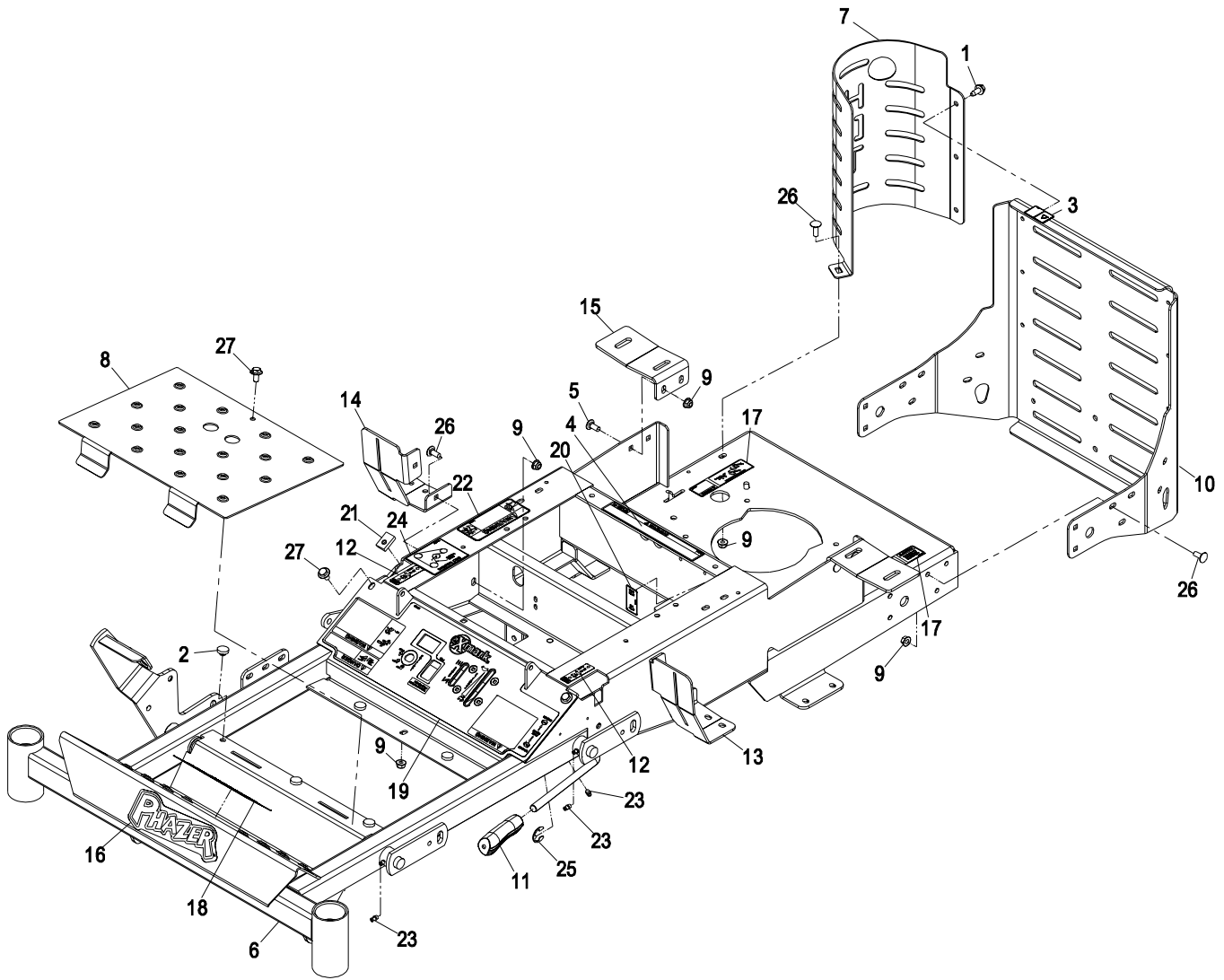
| Item | Part No. | Description | Qty. |
|------|-------------|--|------|
| 14+ | 103-9953 | Sheave, Blade Drive | 2 |
| 15 | 104-8300 | Nut, Nyloc 5/16-18 Flg | 2 |
| 16 | 104-8301 | Nut, Nyloc 3/8-16 Flg | 12 |
| 17 | 109-2548 | Blade, 17.5 Standard | 2 |
| | 109-2551 | Blade, Low lift | 2 |
| ■ | 109-3129 | Blade, Mulch | 2 |
| | 109-2549 | Blade, Solid | 2 |
| 18 | 109-2610-01 | Baffle, Discharge | 1 |
| 19 | 323-7 | Screw, HH 3/8-16 x 1 1/4..... | 12 |
| 20★ | 3217-46 | Nut, Hex 3/4-16 Heavy..... | 2 |
| 21 | 3230-23 | Bolt, Carriage 5/16-18 x 3/4, short neck | 2 |
| 22 | 32128-37 | Nut, Whizlock 7/16-14..... | 16 |
| 23 | 103-8280 | Kit, Cutter Housing..... | 2 |

Exmark red touch up paint (spray paint - P/N 1-850337 - .6 oz liquid bottle - P/N 103-9140).

Anti-scalp kit P/N AS34 is available for this unit.

- ✚ Apply Mobil HTS grease (P/N 103-5217 1.5 oz packet) (or a food-grade anti-seize) between the spindles & bearings and spindles & sheaves and under top bearing guard. DO NOT use a copper or nickel based anti-seize.
- Requires installation of Micro-Mulch accessory for proper mulching. Mulch kit P/N MK343.
- ★ Use Pro-Lock, Nut Type (P/N 1-840022, .5ml tube) on nut.

FRAME GROUP

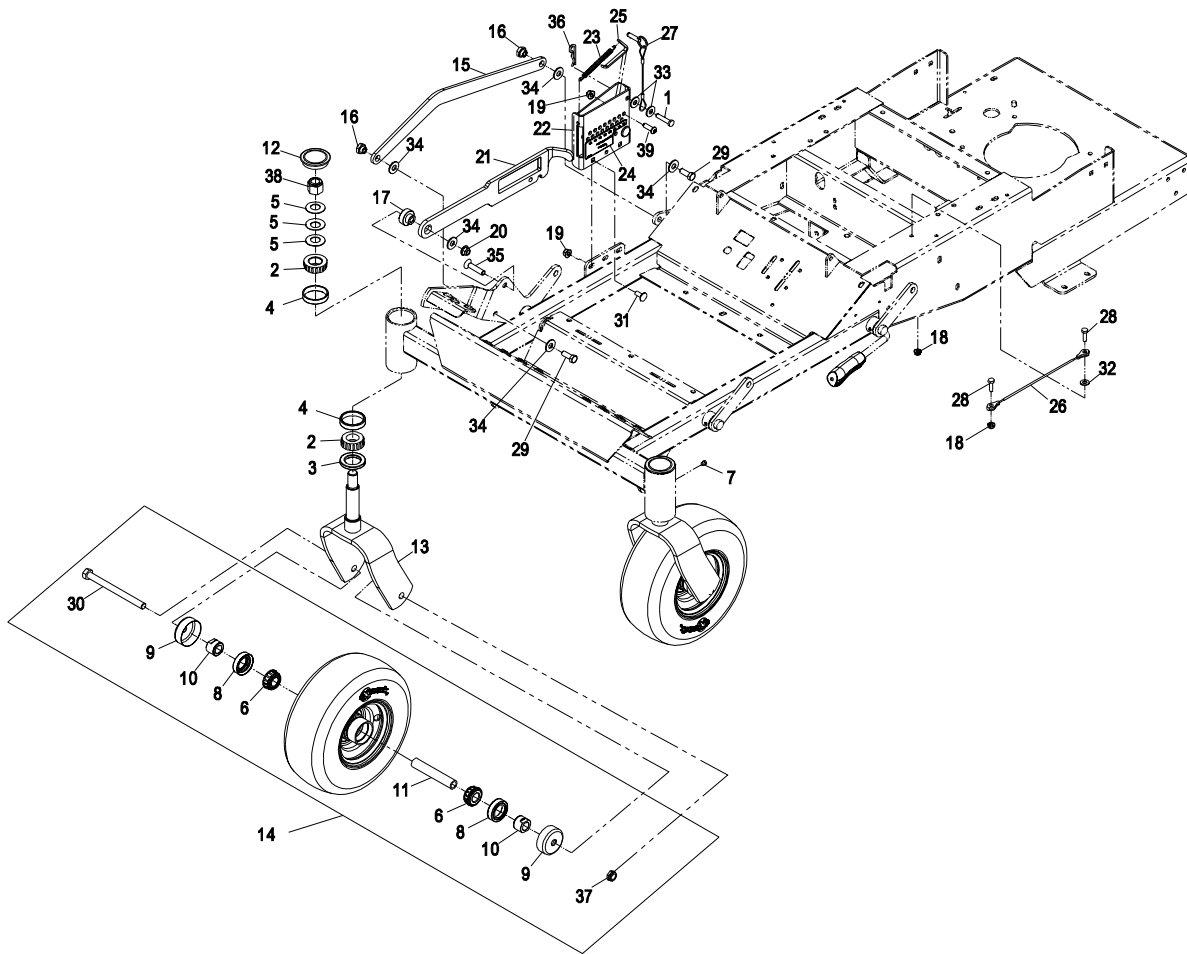


| Item | Part No. | Description | Qty. |
|------|-------------|-----------------------------------|------|
| 1 | 32144-70 | Screw, HWH 5/16-18 x 3/4 TF..... | 3 |
| 2 | 1-513658 | Bumper..... | 5 |
| 3 | 93-8069 | Decal, Hot Surface..... | 1 |
| 4 | 1-513747 | Decal, Battery..... | 1 |
| 5 | 3230-16 | Bolt, Carriage 5/16-18 x 7/8..... | 4 |
| 6 | 109-3125 | Asm, Frame W/Decals..... | 1 |
| 7 | 116-0201-03 | Guard, Muffer..... | 1 |
| 8 | 103-9381-01 | Plate, Floor..... | 1 |
| 9 | 104-8300 | Nut, Nyloc 5/16-18 Flg..... | 18 |
| 10 | 114-0543 | Asm, Rear Guard W/Decal..... | 1 |
| 11 | 109-0375 | Grip, Brake Lever..... | 1 |
| 12 | 109-2356 | Decal, Motion Control..... | 2 |
| 13 | 109-2421-03 | Bracket, LH Fuel Tank..... | 1 |
| 14 | 109-2422-03 | Bracket, RH Fuel Tank..... | 1 |

| Item | Part No. | Description | Qty. |
|------|-------------|-----------------------------------|------|
| 15 | 109-2429-03 | Bracket, Rear Fuel Tank..... | 2 |
| 16 | 109-2466 | Decal, Phazer..... | 1 |
| 17 | 109-2467 | Decal, Drive Wheel Release..... | 2 |
| 18 | 109-2490 | Decal, Danger Slope..... | 1 |
| 19 | 109-2494 | Decal, Console..... | 1 |
| 20 | 109-2539 | Decal, Relay..... | 1 |
| 21 | 109-2605 | Stop, Motion Control..... | 2 |
| 22 | 109-2862 | Decal, Rotating Devices..... | 1 |
| 23 | 302-19 | Zerk, 1/4-28 Str..... | 5 |
| 24 | 109-2992 | Decal, Pump Belt Routing..... | 1 |
| 25 | 32151-48 | E-Ring..... | 1 |
| 26 | 3230-23 | Bolt, Carriage 5/16-18 x 3/4..... | 13 |
| 27 | 3234-7 | Screw, HH FLG 5/16-18 x 5/8..... | 3 |

Exmark black touch up spray paint – gloss black.

FRAME GROUP (cont.)



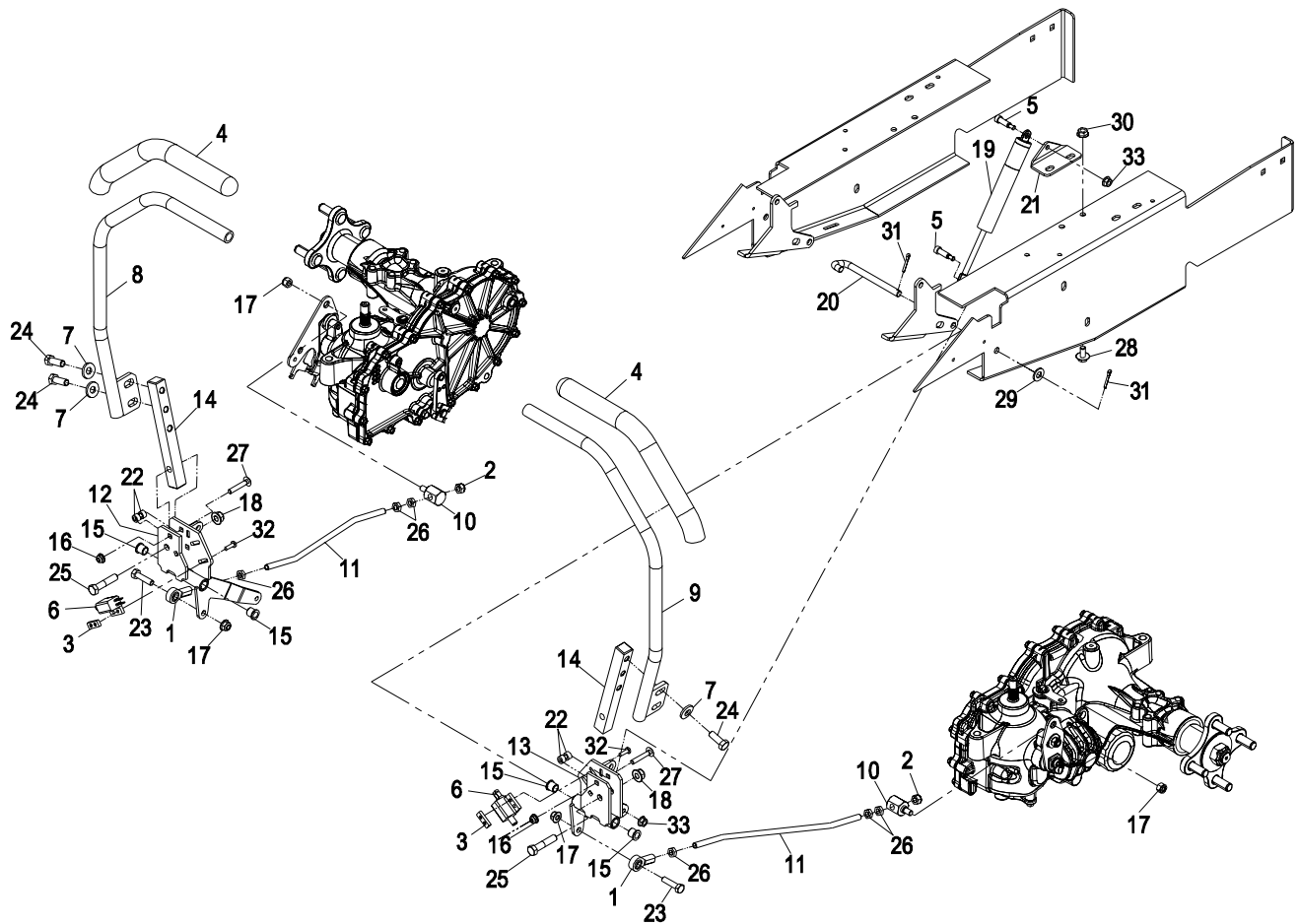
| Item | Part No. | Description | Qty. |
|------|-------------|------------------------------------|------|
| 1 | 283-6 | Pin, Clevis 5/16 x 1 1/4 | 1 |
| 2 | 1-543509 | Cone, Bearing Tapered Roller | 4 |
| 3 | 1-543511 | Seal, Grease | 2 |
| 4 | 1-543508 | Cup, Bearing Tapered Roller | 4 |
| 5 | 1-633508 | Washer, Spring Disc | 6 |
| 6 | 1-633585 | Bearing, Cone Tapered Roller | 4 |
| 7 | 1-811010 | Plug | 2 |
| 8 | 103-0063 | Seal, Double Lip | 4 |
| 9 | 103-2768 | Guard, Seal | 4 |
| 10+ | 103-3051 | Spacer, Nut | 4 |
| 11 | 103-3157 | Axle, Caster | 2 |
| 12 | 103-4882 | Cap, Grease | 2 |
| 13 | 103-8618-01 | Wld, Caster Fork | 2 |
| 14 | 112-3810 | Asm, Wheel And Bearings | 2 |
| 15 | 103-9932 | Link, Deck Control | 1 |
| 16 | 103-9933 | Nut, Shoulder | 2 |
| 17 | 103-9934 | Bushing | 1 |
| 18 | 104-7201 | Nut, Nyloc 1/4-20 Flg | 2 |
| 19 | 104-8300 | Nut, Nyloc 5/16-18 Flg | 3 |
| 20 | 104-8301 | Nut, Nyloc 3/8-16 Flg | 1 |

| Item | Part No. | Description | Qty. |
|------|----------|--------------------------------------|------|
| 21 | 116-0199 | Bar, Height Adjust | 1 |
| 22 | 109-3544 | Asm, Height Adjust W/Decal | 1 |
| 23 | 109-2416 | Spring, Extension | 1 |
| 24 | 109-2463 | Decal, Deck Height | 1 |
| 25 | 109-2620 | Pawl, Height Control | 1 |
| 26 | 109-2628 | Cable | 1 |
| 27 | 109-3323 | Asm, Height Pin W/Lanyard | 1 |
| 28 | 321-5 | Screw, HH 1/4-20 x 7/8 | 2 |
| 29 | 323-6 | Screw, HH 3/8-16 x 1 | 2 |
| 30 | 325-20 | Screw, HH 1/2-13 x 6 | 2 |
| 31 | 3230-23 | Bolt, Carriage 5/16-18 x 3/4 | 2 |
| 32 | 3256-23 | Washer, 5/16 SAE | 1 |
| 33 | 1-303334 | Washer, Spring Disc 5/16 | 2 |
| 34 | 63-8410 | Washer | 5 |
| 35 | 3289-19 | Screw, Flat HD 3/8-16 x 1 3/4 | 1 |
| 36 | 1-806003 | Hairpin, Cotter | 1 |
| 37 | 3296-45 | Nut, Nyloc 1/2-13 Thin | 2 |
| 38 | 3296-51 | Nut, Nyloc 3/4-10 | 2 |
| 39 | 3274-104 | Screw, Button Head 5/16-18 x 1 | 1 |

Exmark red touch up paint (spray paint - P/N 1-850337 - .6 oz liquid bottle - P/N 103-9140).

+ Use Pro-Lock, Nut Type (P/N 1-840022, .5ml tube) on spacer nut Item #10.

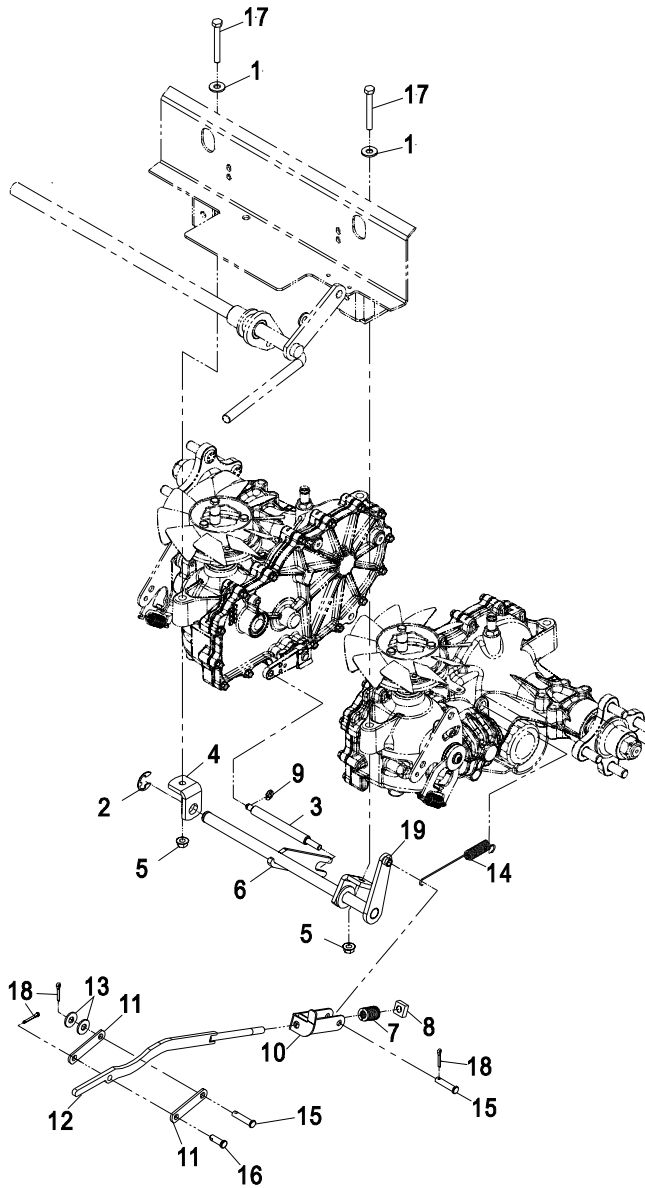
MOTION CONTROL GROUP



| Item | Part No. | Description | Qty. |
|------|----------|-------------------------------------|------|
| 1 | 1-543017 | Balljoint..... | 2 |
| 2 | 3296-4 | Nut, Esna 5/16-24..... | 2 |
| 3 | 1-633181 | Plate, Tapped..... | 2 |
| 4 | 1-633257 | Grip, Control Lever..... | 2 |
| 5 | 1-809057 | Screw, SH 5/16-18 x 3/4..... | 4 |
| 6 | 65-7410 | Switch..... | 2 |
| 7 | 98-5975 | Washer, Spring Disc 3/8..... | 4 |
| 8 | 103-9367 | Asm, Lever Control (RH) W/Grip..... | 1 |
| 9 | 103-9368 | Asm, Lever Control (LH) W/Grip..... | 1 |
| 10 | 103-9373 | Trunnion..... | 2 |
| 11 | 103-9407 | Rod, Steering..... | 2 |
| 12 | 103-9411 | Wld, Steering Control (RH)..... | 1 |
| 13 | 103-9413 | Wld, Steering Control (LH)..... | 1 |
| 14 | 103-9414 | Post, Lever Mount..... | 2 |
| 15 | 103-9928 | Bearing..... | 4 |
| 16 | 104-7201 | Nut, Nyloc 1/4-20 Flg..... | 4 |
| 17 | 104-8300 | Nut, Nyloc 5/16-18 Flg..... | 4 |

| Item | Part No. | Description | Qty. |
|------|----------|------------------------------------|------|
| 18 | 104-8301 | Nut, Nyloc 3/8-16 Flg..... | 2 |
| 19 | 109-2339 | Damper, Motion Control..... | 2 |
| 20 | 109-2423 | Shaft, Control Pivot..... | 2 |
| 21 | 109-2428 | Bracket, Damper Mount..... | 2 |
| 22 | 1-633545 | Spacer..... | 4 |
| 23 | 322-6 | Screw, HH 5/16-18 x 1 1/4..... | 2 |
| 24 | 323-6 | Screw, HH 3/8-16 x 1..... | 4 |
| 25 | 323-9 | Screw, HH 3/8-16 x 1 3/4..... | 2 |
| 26 | 3220-2 | Nut, Jam 5/16-24..... | 6 |
| 27 | 3229-4 | Bolt, Carriage 1/4-20 x 1 1/2..... | 4 |
| 28 | 3234-7 | Screw, HH FLG 5/16-18 x 5/8..... | 4 |
| 29 | 3256-24 | Washer, 3/8 SAE..... | 2 |
| 30 | 32128-20 | Nut, Whizlock 5/16-18..... | 4 |
| 31 | 3272-10 | Pin, Cotter 1/8 x 3/4..... | 2 |
| 32 | 3290-500 | Screw, PPH #10-24 x 5/8..... | 4 |
| 33 | 32128-33 | Nut, Whizlock 1/4-20..... | 4 |

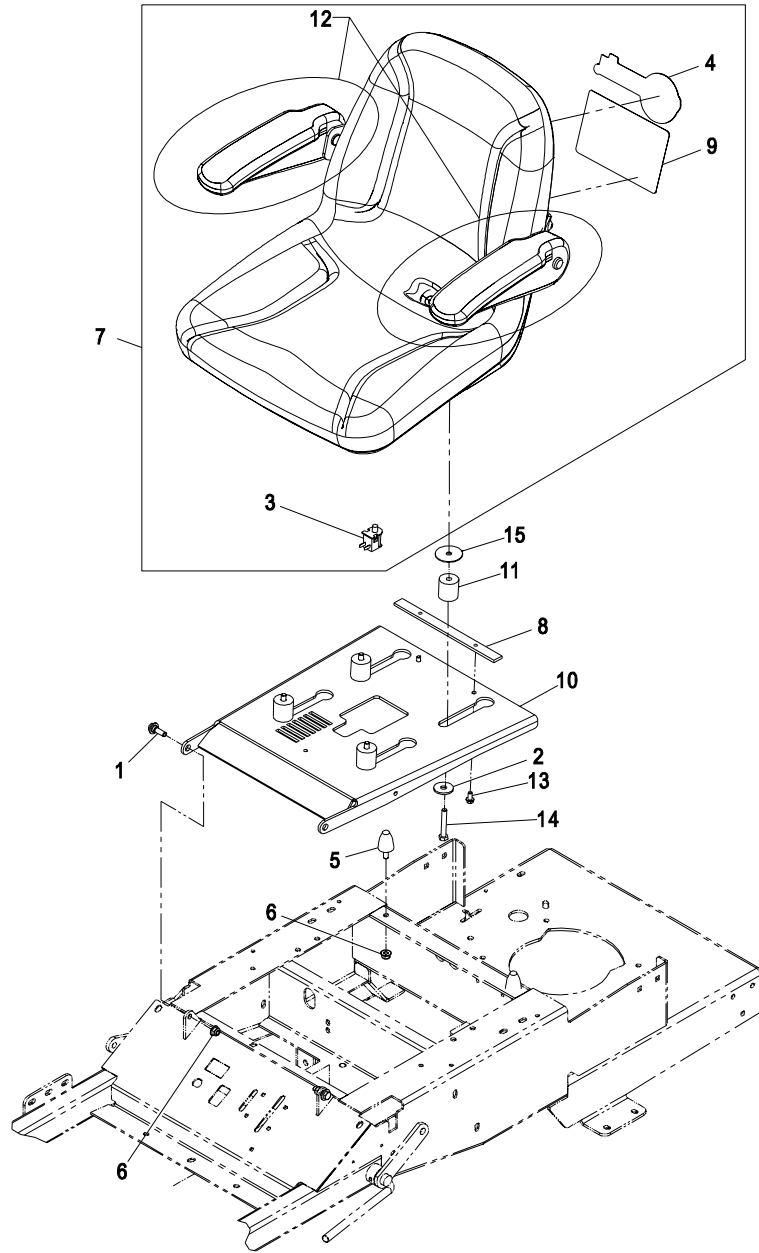
PARK BRAKE GROUP



| Item | Part No. | Description | Qty. |
|------|----------|------------------------------|------|
| 1 | 3256-3 | Washer, 5/16 Std | 2 |
| 2 | 32120-19 | E-Ring..... | 1 |
| 3 | 103-9408 | Bar, Equalizer | 1 |
| 4 | 103-9409 | Bracket ,Brake Pivot..... | 1 |
| 5 | 104-8300 | Nut, Nyloc 5/16-18 Flg | 2 |
| 6 | 109-5376 | Wld, Brake Bellcrank..... | 1 |
| 7 | 103-9925 | Spring, Brake | 1 |
| 8 | 103-9926 | Nut, Square..... | 1 |
| 9 | 32120-35 | E-Ring..... | 1 |
| 10 | 114-0548 | Wld, Brake Clevis..... | 1 |

| Item | Part No. | Description | Qty. |
|------|----------|--------------------------------|------|
| 11 | 109-0223 | Link, Over Center..... | 2 |
| 12 | 109-5370 | Wld, Brake Link..... | 1 |
| 13 | 3256-23 | Washer, 5/16 SAE | 2 |
| 14 | 109-2861 | Spring, Extension..... | 1 |
| 15 | 283-6 | Pin, Clevis 5/16 X 1 1/4..... | 2 |
| 16 | 283-75 | Pin, Clevis 5/16 X 3/4..... | 1 |
| 17 | 322-12 | Screw, HH 5/16-18 x 2 1/2..... | 2 |
| 18 | 3272-10 | Pin, Cotter 1/8 x 3/4 | 3 |
| 19 | 1-633545 | Spacer | 1 |

SEAT GROUP

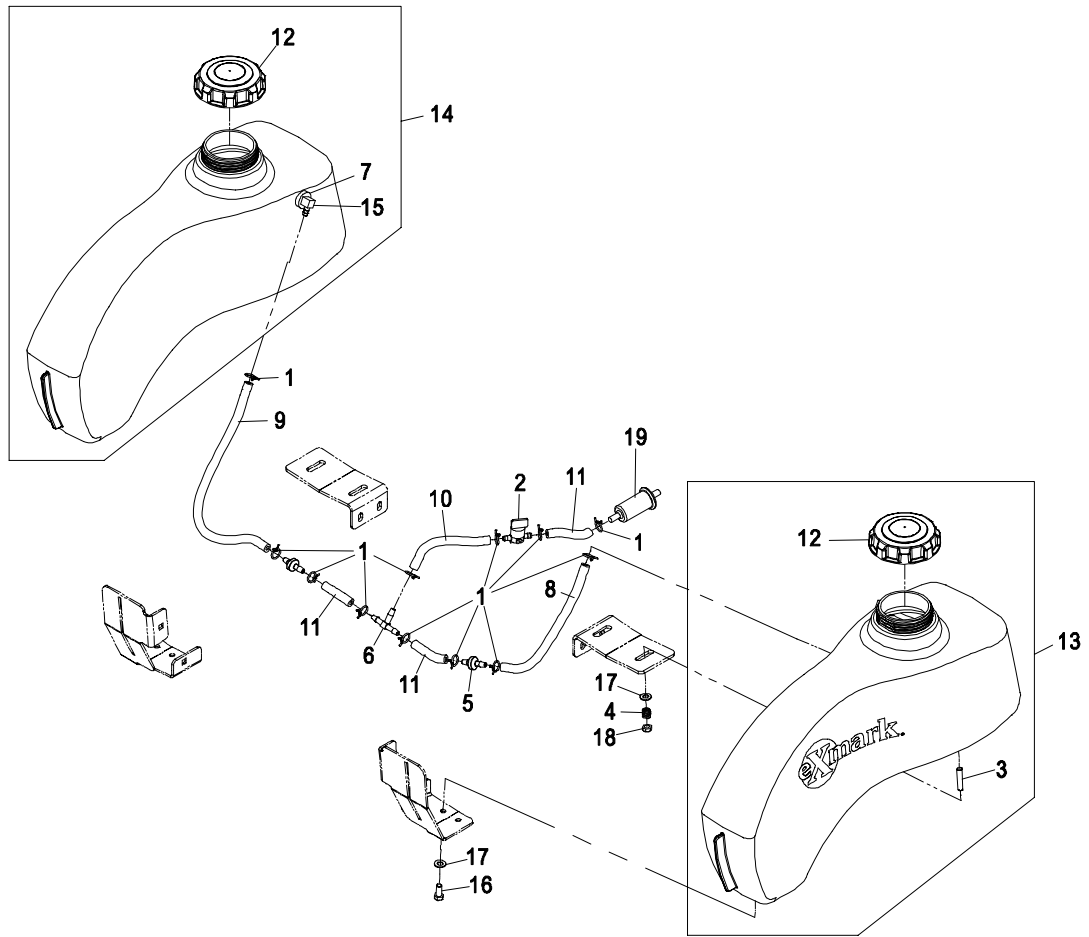


| Item | Part No. | Description | Qty. |
|------|-------------|-------------------------------------|------|
| 1 | 27-0410 | Screw, Shoulder 5/16-18 x 1 Sp..... | 2 |
| 2 | 63-8410 | Washer | 4 |
| 3 | 82-2190 | Switch | 1 |
| 4 | 103-3999 | Decal, Exmark Logo..... | 1 |
| 5 | 103-9376 | Bumper, Seat..... | 2 |
| 6 | 104-8300 | Nut, Nyloc 5/16-18 Flg | 4 |
| 7 | 109-3128 | Asm, Seat W/Decals | 1 |
| 8 | 109-2427-03 | Bar, Seat Stop..... | 1 |

| Item | Part No. | Description | Qty. |
|------|-------------|--------------------------------------|------|
| 9 | 116-0950 | Decal, Service Aid | 1 |
| 10 | 109-2607-03 | Bracket, Seat..... | 1 |
| 11 | 109-2608 | Spacer | 4 |
| 12 | 108-6163 | Kit, Armrest..... | 1 |
| 13 | 32144-4 | Screw, HWH 1/2-20 x 1/2 Taptite..... | 2 |
| 14 | 322-10 | Screw, HH 5/16-18 x 2..... | 4 |
| 15 | 1-653036 | Washer..... | 4 |

Exmark black touch up spray paint – gloss black.

FUEL GROUP



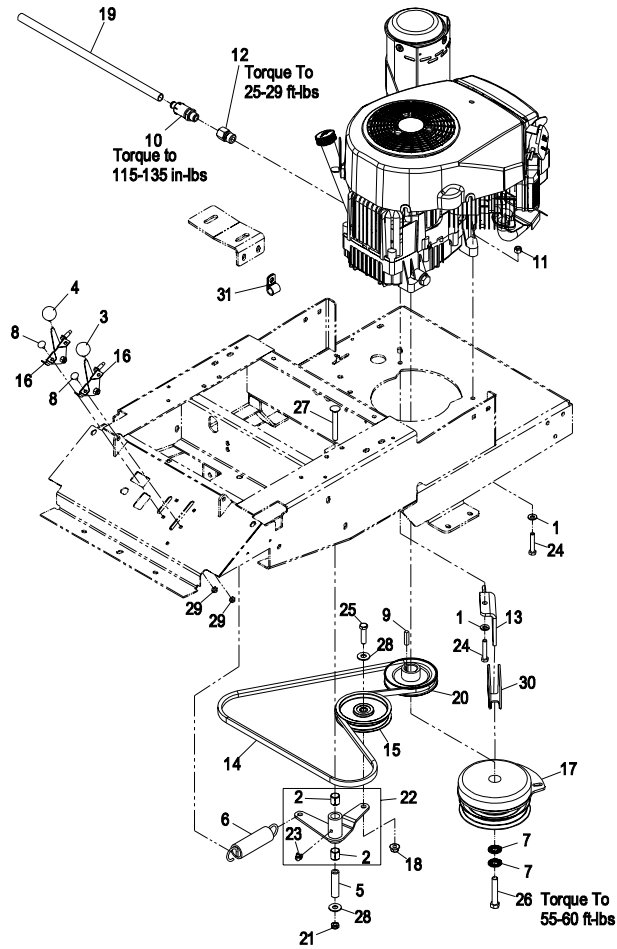
| Item | Part No. | Description | Qty. |
|------|----------|-----------------------------|------|
| 1 | 1-303077 | Clamp, Fuel Line..... | 12 |
| 2 | 1-603770 | Valve, Fuel..... | 1 |
| 3◇ | 1-633023 | Stud, Fuel Tank..... | 4 |
| 4 | 1-633349 | Spring | 4 |
| 5 | 99-5000 | Valve, Fuel Check..... | 2 |
| 6 | 99-5005 | Fitting, Barbed Tee..... | 1 |
| 7 | 104-7789 | Bushing..... | 2 |
| 8 | 107-7684 | Hose, Fuel Line 11"..... | 1 |
| 9 | 108-4582 | Hose, Fuel Line 21"..... | 1 |
| 10 | 109-0293 | Hose, Fuel Line 8 1/2"..... | 1 |

| Item | Part No. | Description | Qty. |
|------|----------|--------------------------------------|------|
| 11 | 109-0304 | Hose, Fuel Line 2 1/2"..... | 3 |
| 12 | 109-0346 | Cap, Fuel..... | 2 |
| 13 | 109-3124 | Asm, Fuel Tank (LH)..... | 1 |
| 14 | 109-3123 | Asm, Fuel Tank (RH)..... | 1 |
| 15 | 109-2420 | Fitting, Fuel W/Line And Screen..... | 2 |
| 16 | 322-3 | Screw, HH 5/16-18 x 3/4..... | 2 |
| 17 | 3256-23 | Washer, 5/16 SAE | 6 |
| 18 | 3296-47 | Nut, Nyloc 5/16-18 Thin | 4 |
| 19◆ | Kawasaki | Part No. 49019-7001 Fuel Filter..... | 1 |

◆ Refer to Engine Owner's manual. (Fuel filter **Must** be 15 Micron or smaller).

◇ Use Pro-Lock, Retaining Type (P/N 1-840023, .5ml tube) on stud threads, item #3 going into tanks.

ENGINE GROUP



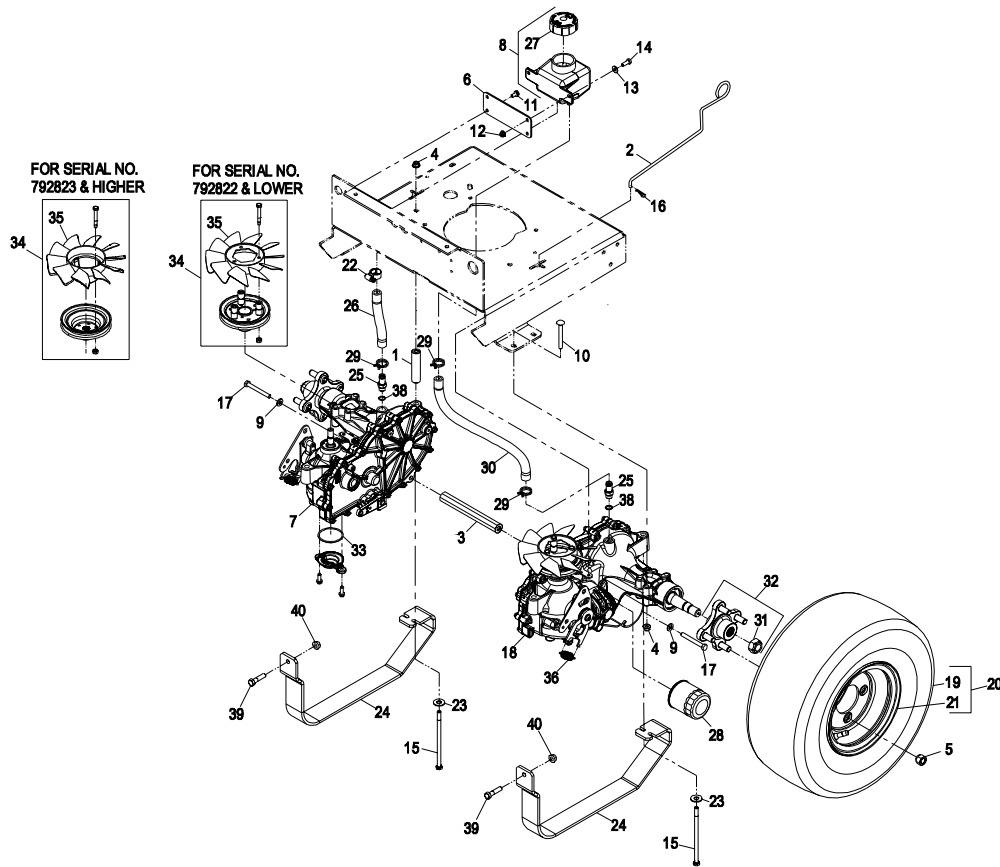
| Item | Part No. | Description | Qty. |
|------|-------------|-------------------------------------|------|
| 1 | 1-303334 | Washer, Spring Disc 5/16..... | 4 |
| 2 | 1-513034 | Sleeve, Bearing..... | 2 |
| 3 | 1-513592 | Knob, Ball Red..... | 1 |
| 4 | 1-513593 | Knob, Ball Black..... | 1 |
| 5 | 1-603384 | Bushing, Idler Pivot..... | 1 |
| 6 | 1-603414 | Spring, Extension..... | 1 |
| 7 | 1-603610 | Washer, Spring Disc 7/16..... | 2 |
| 8 | 1-807513 | Bolt, Carriage #10-24 x 1/2..... | 4 |
| 9 | 13-2840 | Key, Machine 1/4 x 1/4 x 1 1/4..... | 1 |
| 10▼ | 92-6877 | Valve, Oil Drain..... | 1 |
| 11 | 3296-29 | Nut, Nyloc 5/16-18..... | 4 |
| 12▼ | 103-1966 | Adapter..... | 1 |
| 13 | 103-9356-03 | Stop, Clutch Rotation..... | 1 |
| 14 | 112-3823 | Belt, Hydro..... | 1 |
| 15 | 103-9401 | Pulley, Idler..... | 1 |
| 16 | 103-9946 | Asm, Throttle Control..... | 2 |

| Item | Part No. | Description | Qty. |
|------|----------|--------------------------------|------|
| 17 | 103-9950 | Clutch..... | 1 |
| 18 | 104-8301 | Nut, Nyloc 3/8-16 Fig..... | 1 |
| 19■ | 106-7022 | Hose, Oil Drain..... | 1 |
| 20 | 109-0393 | Sheave..... | 1 |
| 21 | 3296-59 | Nut, Nyloc 3/8-16 Thin..... | 1 |
| 22 | 109-3119 | Asm, Idler Arm W/Bearings..... | 1 |
| 23 | 302-40 | Zerk, 90° 1/4-28..... | 1 |
| 24 | 322-9 | Screw, HH 5/16-18 x 1 3/4..... | 4 |
| 25 | 323-8 | Screw, HH 3/8-16 x 1 1/2..... | 1 |
| 26◆ | 3212-10 | Screw, HH 7/16-20 x 2 1/2..... | 1 |
| 27 | 3231-10 | Bolt, Carriage 3/8-16 x 3..... | 1 |
| 28 | 3256-4 | Washer, 3/8 Std..... | 2 |
| 29 | 3296-2 | Nut, Nyloc #10-24..... | 4 |
| 30 | 109-3765 | Bumper..... | 1 |
| 31* | 1-603727 | Clip, Loom..... | 1 |

Exmark black touch up spray paint – gloss black.

- ▼ Use a Teflon Pipe Sealant or equivalent on threads.
- ◆ Use Pro-Lock, Nut Type (P/N 1-840022, .5ml tube) on clutch bolt.
- Supplied in literature pack.
- * Route throttle and choke cables through clip.

TRANSAXLE GROUP



| Item | Part No. | Description | Qty. |
|------|-------------|---------------------------------------|------|
| 1 | 103-9397 | Spacer, Hydro | 2 |
| 2 | 103-9380 | Rod, Hydro Bypass | 2 |
| 3 | 103-9398 | Spacer, Axle | 1 |
| 4 | 104-8300 | Nut, Nyloc 5/16-18 Flg | 6 |
| 5 | 242-50 | Nut, Lug 1/2-20 | 8 |
| 6 | 103-9350-03 | Plate, Tank Mount | 1 |
| 7✘ | 116-1204 | Asm, Transaxle (RH)..... | 1 |
| 8 | 109-2250 | Tank, Hydraulic | 1 |
| 9 | 98-5975 | Washer, Spring Disc 3/8..... | 2 |
| 10 | 3230-9 | Bolt, Carriage 5/16-18 x 2 3/4..... | 4 |
| 11 | 32144-4 | Screw, HWH 1/2-20 x 1/2 Taptite | 2 |
| 12 | 104-7201 | Nut, Nyloc 1/4-20 Flg | 2 |
| 13 | 3256-22 | Washer, 1/4 SAE | 2 |
| 14 | 321-4 | Screw, HH 1/4-20 x 3/4 | 2 |
| 15 | 1-800286 | Screw, HH 5/16-18 x 6 | 2 |
| 16 | 1-806003 | Hairpin, Cotter..... | 2 |
| 17● | 323-11 | Screw, HH 3/8-16 x 2 1/4 | 2 |
| 18✘ | 116-1205 | Asm, Transaxle (LH) | 1 |
| 19 | 109-2594 | Tire, 18 x 7.00-8 4 Ply | 2 |
| 20 | 109-2595 | Asm, Wheel & Tire | 2 |
| 21 | 109-2596 | Wheel | 2 |

| Item | Part No. | Description | Qty. |
|------|-------------|---------------------------------|------|
| 22 | 109-6801 | Clamp, Hose | 1 |
| 23 | 3256-3 | Washer | 2 |
| 24 | 114-0469-03 | Guard, Transmission..... | 1 |
| 25 | 109-3278 | Adapter, Straight..... | 2 |
| 26 | 109-3319 | Hose, Hydraulic | 1 |
| 27 | 109-3320 | Cap, Hydraulic Reservoir | 1 |
| 28 | 109-3321 | Filter, Hydraulic..... | 1 |
| 29 | 109-3322 | Clamp, Hose..... | 3 |
| 30 | 109-3459 | Hose, Hydraulic | 1 |
| 31 | 109-3536 | Nut, Hub | 2 |
| 32 | 109-3538 | Kit, Hub..... | 2 |
| 33 | 109-3540 | O-Ring, Charge Cover Seal | 2 |
| 34■ | 116-0172 | Kit, Fan And Pulley | 2 |
| ◆ | 116-1207 | Kit, Fan And Pulley | 2 |
| 35■ | 116-0173 | Fan, 7"-10 Blade | 2 |
| ◆ | 116-1206 | Fan, 7"-10 Blade | 2 |
| 36 | 109-2631 | Spring, Extension..... | 2 |
| 37▲ | 109-3537 | Kit, Seal | 2 |
| 38 | 1-603921 | O-Ring, SAE #6 | 2 |
| 39 | 323-8 | Screw, HH 3/8-16 x 1 1/2..... | 2 |
| 40 | 3290-357 | Nut, Whizlock 3/8-16..... | 2 |

Exmark black touch up spray paint – gloss black.

✘ LH and RH transmission comes complete with items #28, #31, #32, #33, #34, #35, #36, & #37

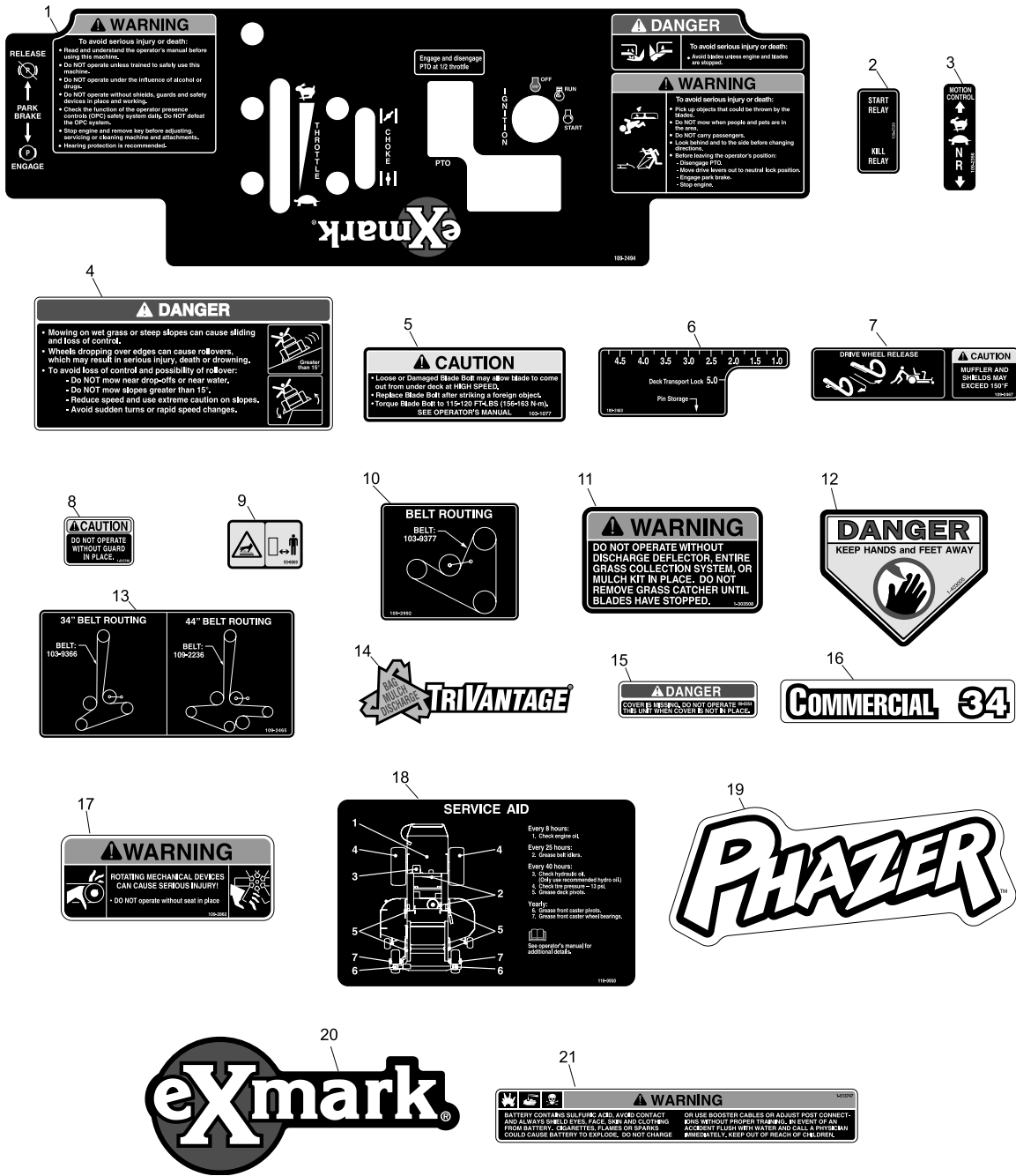
● Use Pro-Lock, Nut type (P/N 1-840022, .5ml tube) screw.

▲ Item not shown

■ For Serial No. 792822 & Lower.

◆ For Serial No. 792823 & Higher.

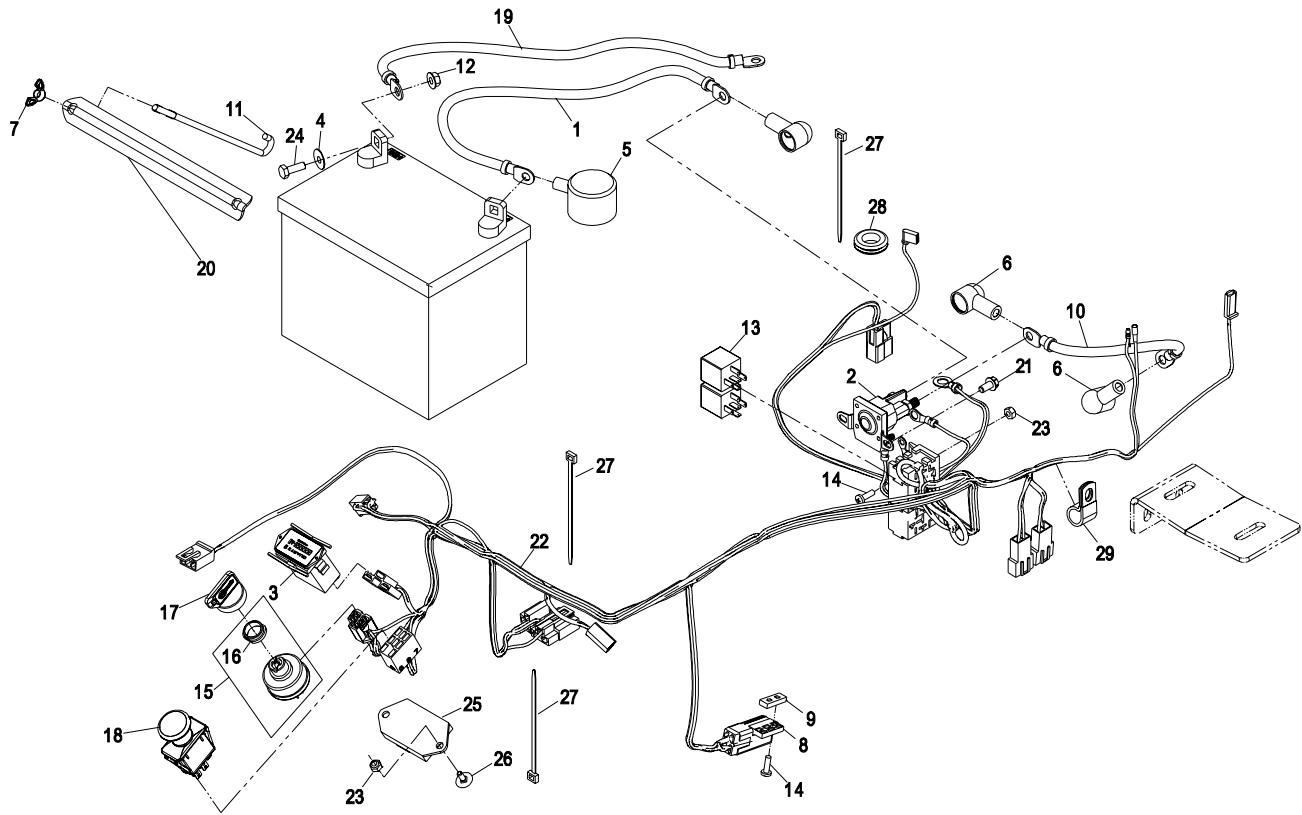
DECAL GROUP



| Item | Part No. | Description | Qty. |
|------|----------|----------------------------|------|
| 1 | 109-2494 | Decal, Console..... | 1 |
| 2 | 109-2539 | Decal, Relay | 1 |
| 3 | 109-2356 | Decal, Motion Control..... | 2 |
| 4 | 109-2490 | Decal, Danger Slope | 1 |
| 5 | 103-1077 | Decal, Bolt Torque | 1 |
| 6 | 109-2463 | Decal, Deck Height | 1 |
| 7 | 109-2467 | Decal, Zt Dump | 2 |
| 8 | 1-513748 | Decal, Guard..... | 1 |
| 9 | 93-8069 | Decal, Hot Surface | 1 |
| 10 | 109-2992 | Decal, Belt Routing | 1 |
| 11 | 1-303508 | Decal, Warning Cover | 1 |

| Item | Part No. | Description | Qty. |
|------|----------|---------------------------------|------|
| 12 | 1-403005 | Decal, Danger..... | 2 |
| 13 | 109-2465 | Decal, Belt Routing 34/44 | 1 |
| 14 | 1-303520 | Decal, Trivantage..... | 1 |
| 15 | 98-5954 | Decal, Missing Cover | 4 |
| 16 | 109-2462 | Decal, Commercial 34..... | 1 |
| 17 | 109-2862 | Decal, Rotating Devices..... | 1 |
| 18 | 116-0950 | Decal, Service Aid | 1 |
| 19 | 109-2466 | Decal, Phazer | 1 |
| 20 | 103-3999 | Decal, Exmark Logo..... | 1 |
| 21 | 1-513747 | Decal, Battery | 1 |
| | 109-3530 | Decal Kit | |

ELECTRICAL GROUP

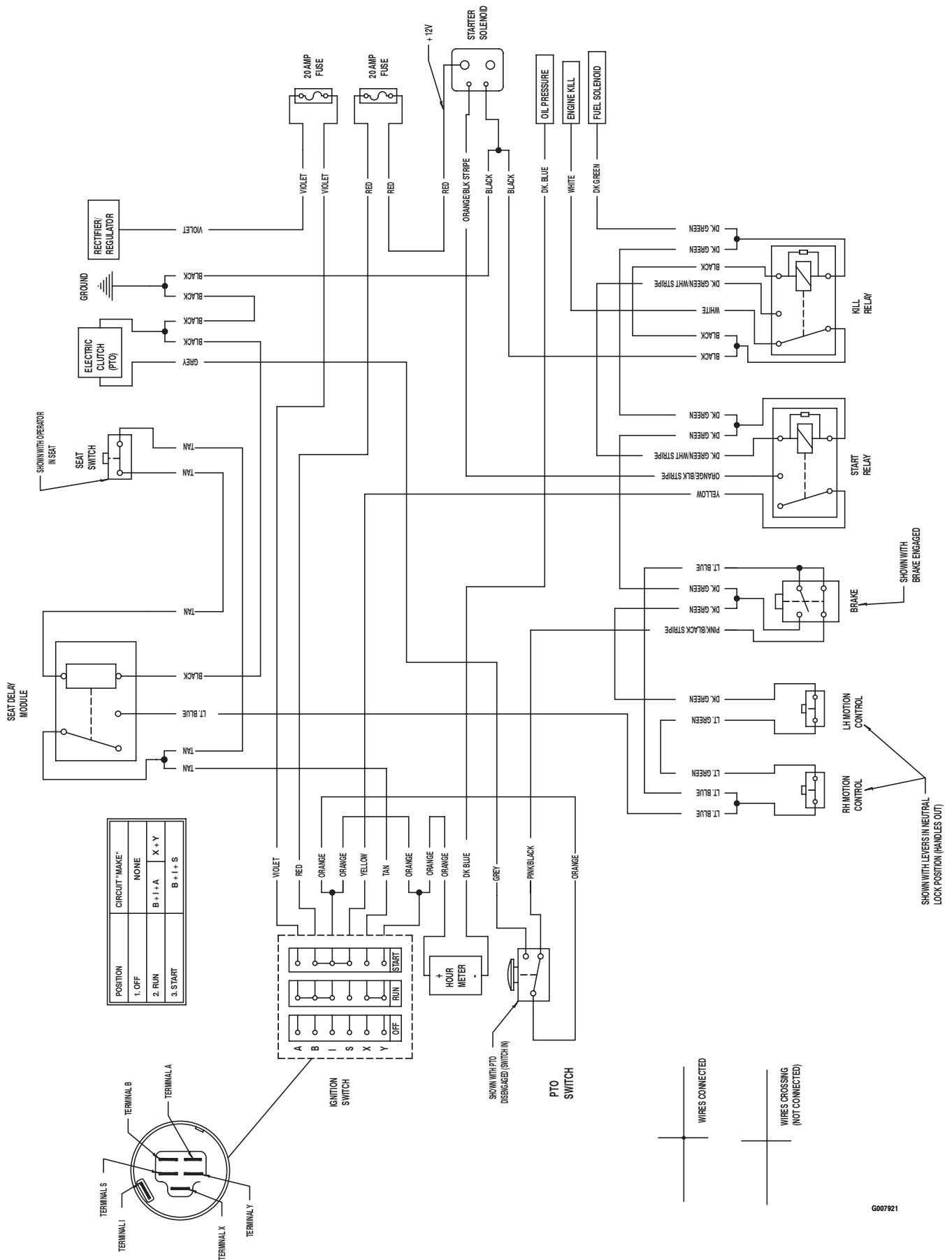


| Item | Part No. | Description | Qty. |
|------|----------|---|------|
| 1 | 109-7653 | Wire, Battery Positive (+) W/Caps | 1 |
| 2 | 1-513075 | Solenoid, Plastic | 1 |
| 3 | 1-513374 | Meter, Engine Hours | 1 |
| 4 | 3256-2 | Washer | 2 |
| 5 | 109-2407 | Insulator, Battery | 1 |
| 6 | 1-543393 | Insulator, Solenoid | 3 |
| 7 | 1-543792 | Wingnut, Nyloc 1/4-20 | 2 |
| 8 | 1-633111 | Switch | 1 |
| 9 | 1-633181 | Plate, Tapped | 1 |
| 10 | 109-7620 | Cable, Battery W/Caps | 1 |
| 11 | 1-633651 | Bolt, Hold Down | 2 |
| 12 | 32128-33 | Nut, Whizlock 1/4-20 | 2 |
| 13 | 1-643275 | Relay, 12VDC 40 Amp | 2 |
| 14 | 3290-500 | Screw, PPH #10-24 x 5/8 | 4 |
| 15 | 109-4736 | Asm, Switch W/Nut | 1 |

| Item | Part No. | Description | Qty. |
|------|-------------|---------------------------------------|------|
| 16 | 103-0498 | Nut, Ignition | 1 |
| 17 | 103-2106 | Key, Exmark Logo | 1 |
| | 1-603511 | Key, Ignition | 1 |
| 18 | 103-5221 | Switch, PTO | 1 |
| 19 | 103-8355 | Cable, Ground(-) | 1 |
| 20 | 103-9944-03 | Strap, Battery | 1 |
| 21 | 32144-4 | Screw, HWH 1/2-20 x 1/2 Taptite | 2 |
| 22 | 109-4112 | Harness, Wiring | 1 |
| 23 | 3296-2 | Nut, Nyloc #10-24 | 3 |
| 24 | 321-4 | Screw, HH 1/4-20 x 3/4 | 2 |
| 25 | 100-6186 | Module, Seat Delay | 1 |
| 26 | 1-807513 | Bolt, Carriage #10-24 x 1/2 | 1 |
| 27 | 1-303335 | Tie, Plastic | 3 |
| 28 | 1-543286 | Grommet | 1 |
| 29 | 1-603727 | Clip, Loom | 1 |

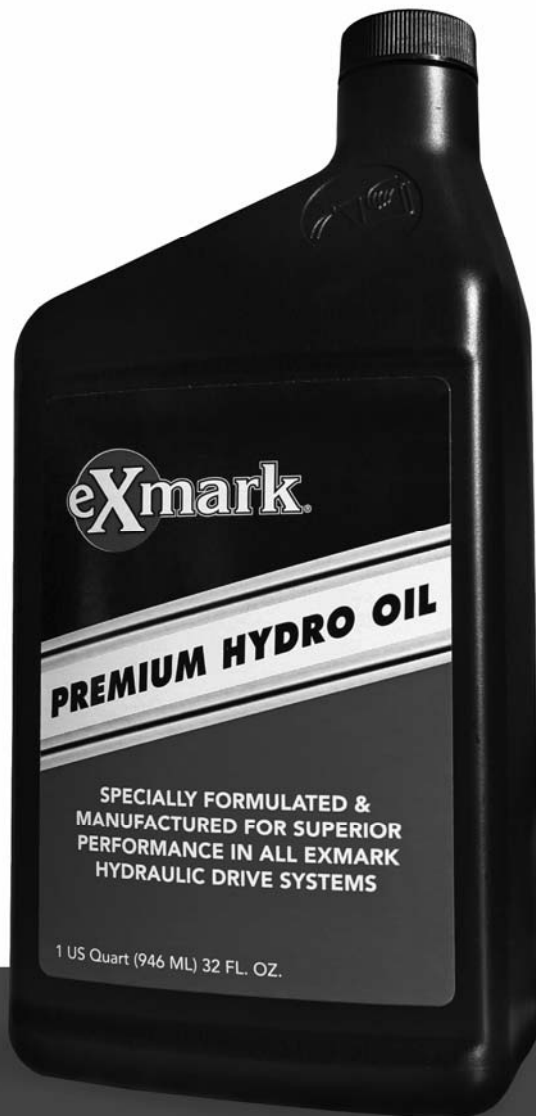
- ◆ Use dielectric grease on all wiring harness connectors
Exmark black touch up spray paint – gloss black.

ELECTRICAL SCHEMATIC



G007921

NEW EXMARK PREMIUM HYDRO OIL



BENEFITS

- Designed & manufactured with superior anti-wear protection
- Superior thermal stability
- Consistent hydro performance
- Superior shear resistance under heavy loads
- Field tested & proven performance
- Twice the shear stability of competing oils
- Enhanced control performance
- Specially formulated for any Exmark hydraulic system

**NOW AVAILABLE
FOR PURCHASE**

Part No. 109-9828



SEE EXMARK'S COMPLETE LINE OF ACCESSORIES

MID-MOUNT RIDING ACCESSORIES

| | |
|------------------------------------|------------------------------------|
| CUSTOM RIDE SEAT SUSPENSION SYSTEM | OPERATOR CONTROLLED DISCHARGE |
| FULL SUSPENSION SEAT | ROLL OVER PROTECTION SYSTEM (ROPS) |
| DECK LIFT ASSIST KIT | SUN SHADE |
| HITCH KIT | TRASH CONTAINER |
| LIGHT KIT | TURF STRIPER |
| 12V POWER PORT | ULTRA VAC COLLECTION SYSTEM |
| MICRO-MULCH SYSTEM | ULTRA VAC QUICK DISPOSAL SYSTEM |

OUT-FRONT RIDING ACCESSORIES

| | |
|------------------------------------|---------------------------------|
| CUSTOM RIDE SEAT SUSPENSION SYSTEM | SNOW BLADE |
| DUAL-TAIL WHEEL | SNOWBLOWER |
| FLOOR PAN EXTENDER | SUN SHADE |
| HITCH KIT | TRASH CONTAINER |
| LIGHT KIT | ULTRA VAC COLLECTION SYSTEM |
| MICRO-MULCH SYSTEM | ULTRA VAC QUICK DISPOSAL SYSTEM |
| ROLL OVER PROTECTION SYSTEM (ROPS) | WEATHER CAB |

WALK-BEHIND ACCESSORIES

| | |
|--------------------|--------------|
| GRASS CATCHER | TURF STRIPER |
| MICRO-MULCH SYSTEM | STANDON |

Place Model No. and Serial No.
Label Here (Included in the Literature
Pack or Fill in Below)

Model No. _____

Serial No. _____

Date Purchased _____

Engine Model No. and Spec. No. _____

Engine Serial No. (E/No) _____

© 2009 Exmark Mfg. Co., Inc.
Industrial Park Box 808
Beatrice, NE 68310
All Rights Reserved

Part No. 4500-461 Rev. A
(402) 223-6300
Fax (402) 223-5489
Printed In USA.



www.exmark.com

Free Manuals Download Website

<http://myh66.com>

<http://usermanuals.us>

<http://www.somanuals.com>

<http://www.4manuals.cc>

<http://www.manual-lib.com>

<http://www.404manual.com>

<http://www.luxmanual.com>

<http://aubethermostatmanual.com>

Golf course search by state

<http://golfingnear.com>

Email search by domain

<http://emailbydomain.com>

Auto manuals search

<http://auto.somanuals.com>

TV manuals search

<http://tv.somanuals.com>