



## **LAZER Z<sup>®</sup> MODELS**

**For Serial Nos.  
790,000 & Higher**  
Part No. 4500-471 Rev. A

# **Operator's Manual**

## **⚠ WARNING**

### **CALIFORNIA Proposition 65 Warning**

The engine exhaust from this product contains chemicals known to the State of California to cause cancer, birth defects, or other reproductive harm.

**Important:** When the mower is used or operated on any California forest, brush or grass covered land, a working spark arrester must be attached to the muffler. If not, the operator is violating state law, Section 4442 Public Resource Code. To acquire a spark arrester for your unit, see your Engine Service Dealer.

This spark ignition system complies with Canadian ICES-002 Ce système d'allumage par étincelle de véhicule est conforme à la norme NMB-002 du Canada

The enclosed Engine Owner's Manual is supplied for information regarding The U.S. Environmental Protection Agency (EPA) and the California Emission Control Regulation of emission systems, maintenance and warranty.

Keep this engine Owner's Manual with your unit. Should this engine Owner's Manual become damaged or illegible, replace immediately. Replacements may be ordered through the engine manufacturer.

Exmark reserves the right to make changes or add improvements to its products at any time without incurring any obligation to make such changes to products manufactured previously. Exmark, or its distributors and dealers, accept no responsibility for variations which may be evident in the actual specifications of its products and the statements and descriptions contained in this publication.



If your Exmark dealer does not have the Exmark part in stock, Exmark will get the parts to the dealer the next business day or the part will be FREE Guaranteed!! (Some restrictions apply. See your participating Exmark Dealer for details.)

# Introduction

**CONGRATULATIONS** on the purchase of your Exmark Mower. This product has been carefully designed and manufactured to give you a maximum amount of dependability and years of trouble-free operation.

This manual contains operating, maintenance, adjustment, and safety instructions for your Exmark mower.

## **BEFORE OPERATING YOUR MOWER, CAREFULLY READ THIS MANUAL IN ITS ENTIRETY.**

By following the operating, maintenance, and safety instructions, you will prolong the life of your mower, maintain its maximum efficiency, and promote safe operation.

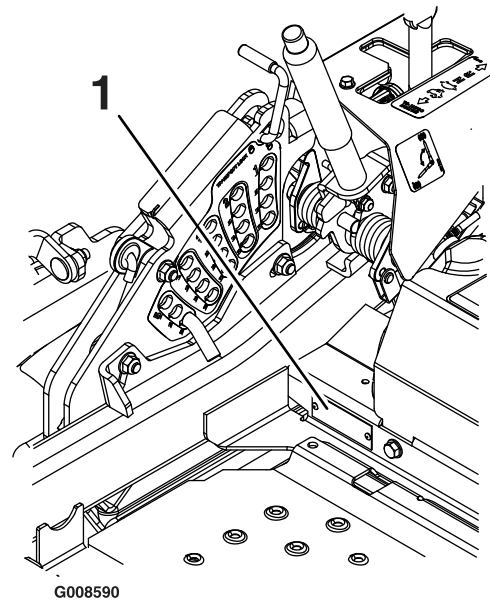
If additional information is needed, or should you require trained mechanic service, contact your authorized Exmark equipment dealer or distributor.

All Exmark equipment dealers and distributors are kept informed of the latest methods of servicing and are equipped to provide prompt and efficient service in the field or at their service stations. They carry ample stock of service parts or can secure them promptly for you from the factory.

All Exmark parts are thoroughly tested and inspected before leaving the factory, however, attention is required on your part if you are to obtain the fullest measure of satisfaction and performance.

Whenever you need service, genuine Exmark parts, or additional information, contact an Authorized Service Dealer or Exmark Customer Service and have the model and serial numbers of your product ready.

Figure 1 identifies the location of the model and serial numbers on the product. Write the numbers in the space provided.



**Figure 1**

1. Model and serial number location

|                         |
|-------------------------|
| <b>Model No.</b> _____  |
| <b>Serial No.</b> _____ |

# Contents

|   |    |
|---|----|
| Introduction .....  | 3  |
| Safety .....  | 5  |
| Safety Alert Symbol.....                                    | 5  |
| Safe Operating Practices .....                              | 5  |
| Safety and Instructional Decals .....                       | 10 |
| Specifications .....  | 14 |
| Model Numbers .....   | 14 |
| Systems .....   | 14 |
| Dimensions.....   | 16 |
| Torque Requirements .....                                   | 18 |
| Product Overview .....                                      | 18 |
| Operation .....   | 19 |
| Controls .....  | 19 |
| Pre-Start.....  | 22 |
| Operating Instructions .....                                | 22 |
| Transporting .....  | 26 |
| Maintenance .....   | 28 |
| Recommended Maintenance Schedule(s) .....                   | 28 |
| Periodic Maintenance .....                                  | 29 |
| Check Engine Oil Level .....                                | 29 |
| Check Mower Blades .....                                    | 30 |
| Check Safety Interlock System .....                         | 30 |
| Check Rollover Protections Systems (Roll<br>Bar) Knobs..... | 31 |
| Check Seat Belt.....  | 31 |
| Check for Loose Hardware .....                              | 31 |
| Service Air Cleaner .....                                   | 31 |
| Change Engine Oil.....                                      | 32 |
| Check Hydraulic Oil Level .....                             | 32 |
| Check Tire Pressures .....                                  | 32 |
| Check Condition Of Belts.....                               | 33 |
| Lubricate Grease Fittings.....                              | 33 |
| Lubricate Brake Handle Pivot .....                          | 34 |
| Lubricate Deck Lift Pivot.....                              | 34 |
| Check Spark Plugs .....                                     | 34 |
| Change Hydraulic System Filter and<br>Fluid .....           | 34 |
| Wheel Hub - Slotted Nut Torque<br>Specification.....        | 35 |
| Check Spark Arrester (if equipped).....                     | 35 |
| Thread Locking Adhesives.....                               | 36 |
| Copper-Based Anti-seize .....                               | 36 |
| Dielectric Grease.....                                      | 36 |
| Adjustments .....   | 36 |
| Deck Leveling .....   | 36 |
| Deck Removal.....   | 38 |
| Pump Drive Belt Tension.....                                | 39 |
| Deck Belt Tension .....                                     | 39 |
| Adjusting the Parking Brake.....                            | 39 |

|  |    |
|--|----|
| Electric Clutch Adjustment.....                          | 40 |
| Motion Control Linkage Adjustment .....                  | 40 |
| Motion Control Damper Adjustment.....                    | 40 |
| Motion Control Neutral Lock Pivot<br>Adjustment .....    | 41 |
| Motion Control Handle Adjustment .....                   | 41 |
| Motion Control Full Forward Tracking<br>Adjustment ..... | 41 |
| Caster Pivot Bearings Pre-Load<br>Adjustment .....       | 42 |
| Cleaning .....   | 43 |
| Clean Engine and Exhaust System<br>Area .....            | 43 |
| Remove Engine Shrouds and Clean Cooling<br>Fins.....     | 43 |
| Clean Hydro Fan Cooling Guards .....                     | 43 |
| Clean Debris From Machine .....                          | 43 |
| Clean Grass Build-Up Under Deck .....                    | 43 |
| Waste Disposal.....                                      | 44 |
| Troubleshooting .....                                    | 45 |
| Schematics .....   | 47 |

# Safety

## Safety Alert Symbol

This Safety Alert Symbol (Figure 2) is used both in this manual and on the machine to identify important safety messages which must be followed to avoid accidents

This symbol means: **ATTENTION! BECOME ALERT! YOUR SAFETY IS INVOLVED!**



Figure 2

1. Safety alert symbol

The safety alert symbol appears above information which alerts you to unsafe actions or situations and will be followed by the word **DANGER**, **WARNING**, or **CAUTION**.

**DANGER:** White lettering / Red background. Indicates an imminently hazardous situation which, if not avoided, **Will** result in death or serious injury.

**WARNING:** Black lettering / Orange background. Indicates a potentially hazardous situation which, if not avoided, **Could** result in death or serious injury.

**CAUTION:** Black lettering / Yellow background. Indicates a potentially hazardous situation which, if not avoided, **May** result in minor or moderate injury.

This manual uses two other words to highlight information. **Important** calls attention to special mechanical information and **Note** emphasizes general information worthy of special attention.

## Safe Operating Practices

### Training

- Read the Operator's Manual and other training material. If the operator(s) or mechanic(s) can not read English it is the owner's responsibility to explain this material to them.
- Become familiar with the safe operation of the equipment, operator controls, and safety signs.
- All operators and mechanics should be trained. The owner is responsible for training the users.

- Never let children or untrained people operate or service the equipment. Local regulations may restrict the age of the operator.
- The owner/user can prevent and is responsible for accidents or injuries occurring to himself or herself, other people or property.

### Preparation

- Evaluate the terrain to determine what accessories and attachments are needed to properly and safely perform the job. Only use accessories and attachments approved by Exmark.
- Wear appropriate clothing including safety glasses, substantial footwear, long trousers, and hearing protection. Do Not operate when barefoot or when wearing open sandals. Long hair, loose clothing or jewelry may get tangled in moving parts.

### **⚠ CAUTION**

**This machine produces sound levels in excess of 85 dBA at the operator's ear and can cause hearing loss through extended periods of exposure.**

**Wear hearing protection when operating this machine.**

- Inspect the area where the equipment is to be used and remove all rocks, toys, sticks, wires, bones, and other foreign objects which can be thrown by the machine and may cause personal injury to the operator or bystanders.

## **⚠ DANGER**

In certain conditions gasoline is extremely flammable and vapors are explosive.

A fire or explosion from gasoline can burn you, others, and cause property damage.

- Fill the fuel tank outdoors in an open area, when the engine is cold. Wipe up any gasoline that spills.
- Never refill the fuel tank or drain the machine indoors or inside an enclosed trailer.
- Do Not fill the fuel tank completely full. Add gasoline to the fuel tank until the level is 1/4 to 1/2 inch (6–13 mm) below the bottom of the filler neck. This empty space in the tank allows gasoline to expand.
- Never smoke when handling gasoline, and stay away from an open flame or where gasoline fumes may be ignited by spark.
- Store gasoline in an approved container and keep it out of the reach of children.
- Add fuel before starting the engine. Never remove the cap of the fuel tank or add fuel when engine is running or when the engine is hot.
- If fuel is spilled, Do Not attempt to start the engine. Move away from the area of the spill and avoid creating any source of ignition until fuel vapors have dissipated.
- Do Not operate without entire exhaust system in place and in proper working condition.

## **⚠ DANGER**

In certain conditions during fueling, static electricity can be released causing a spark which can ignite gasoline vapors. A fire or explosion from gasoline can burn you and others and cause property damage.

- Always place gasoline containers on the ground away from your vehicle before filling.
- Do Not fill gasoline containers inside a vehicle or on a truck or trailer bed because interior carpets or plastic truck bed liners may insulate the container and slow the loss of any static charge.
- When practical, remove gas-powered equipment from the truck or trailer and refuel the equipment with its wheels on the ground.
- If this is not possible, then refuel such equipment on a truck or trailer from a portable container, rather than from a gasoline dispenser nozzle.
- If a gasoline dispenser nozzle must be used, keep the nozzle in contact with the rim of the fuel tank or container opening at all times until fueling is complete.

## **⚠ WARNING**

Gasoline is harmful or fatal if swallowed. Long-term exposure to vapors has caused cancer in laboratory animals. Failure to use caution may cause serious injury or illness.

- Avoid prolonged breathing of vapors.
- Keep face away from nozzle and gas tank/container opening.
- Keep away from eyes and skin.
- Never siphon by mouth.

## ⚠ CAUTION

Fuel tank vent is located inside the roll bar tube. Removing or modifying the roll bar could result in fuel leakage and violate emissions regulations.

- Do Not remove roll bar.
- Do Not weld, drill, or modify roll bar in any way.

- Check that the operator's presence controls, safety switches, and shields are attached and functioning properly. Do Not operate unless they are functioning properly.

## Operation

## ⚠ WARNING

Operating engine parts, especially the muffler, become extremely hot. Severe burns can occur on contact and debris, such as leaves, grass, brush, etc. can catch fire.

- Allow engine parts, especially the muffler, to cool before touching.
- Remove accumulated debris from muffler and engine area.
- Install and maintain in working order a spark arrester before using equipment on forest-covered, grass-covered, or brush-covered unimproved land.

## ⚠ WARNING

Engine exhaust contains carbon monoxide, which is an odorless deadly poison that can kill you.

**Do Not run engine indoors or in a small confined area where dangerous carbon monoxide fumes can collect.**

- Operate only in daylight or good artificial light, keeping away from holes and hidden hazards.
- Be sure all drives are in neutral and parking brake is engaged before starting engine. Use seat belts with the roll bar in the raised and locked position.

- Never operate the mower with damaged guards, shields, or covers. Always have safety shields, guards, switches and other devices in place and in proper working condition.
- Never mow with the discharge deflector raised, removed or altered unless there is a grass collection system or mulch kit in place and working properly.
- Do Not change the engine governor setting or overspeed the engine.
- Stop engine, wait for all moving parts to stop, remove key and engage parking brake:
  - Before checking, cleaning or working on the mower.
  - After striking a foreign object or abnormal vibration occurs (inspect the mower for damage and make repairs before restarting and operating the mower).
  - Before clearing blockages.
  - Whenever you leave the mower.
- Stop engine, wait for all moving parts to stop, and engage parking brake:
  - Before refueling.
  - Before dumping the grass catcher.

## ⚠ WARNING

Hands, feet, hair, clothing, or accessories can become entangled in rotating parts. Contact with the rotating parts can cause traumatic amputation or severe lacerations.

- Do Not operate the machine without guards, shields, and safety devices in place and working properly.
- Keep hands, feet, hair, jewelry, or clothing away from rotating parts.

- **NEVER** carry passengers. **DO NOT** operate the mower when people, especially children, or pets are in the area.
- Be alert, slow down and use caution when making turns. Look behind and to the side before changing directions.
- Stop the blades, slow down, and use caution when crossing surfaces other than grass and when transporting the mower to and from the area to be mowed.

# Safety

- Be aware of the mower discharge path and direct discharge away from others.
- Do Not operate the mower under the influence of alcohol or drugs.
- Use extreme care when loading or unloading the machine into a trailer or truck.
- Use care when approaching blind corners, shrubs, trees, or other objects that may obscure vision.

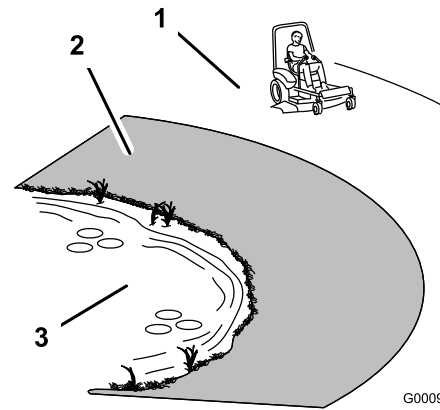
## Slope Operation

Use **Extreme** caution when mowing and/or turning on slopes as loss of traction and/or tip-over could occur. The operator is responsible for safe operation on slopes.

### **⚠ DANGER**

**Operating on wet grass or steep slopes can cause sliding and loss of control. Wheels dropping over edges, ditches, steep banks, or water can cause rollovers, which may result in serious injury, death or drowning.**

- **Do Not mow slopes when grass is wet.**
  - **Do Not mow near drop-offs or near water.**
  - **Do Not mow slopes greater than 15 degrees.**
  - **Reduce speed and use extreme caution on slopes.**
  - **Avoid sudden turns or rapid speed changes.**
  - **Keep the roll bar in the raised and locked position and use seat belt.**
- See inside the back cover to determine the approximate slope angle of the area to be mowed.
  - Use a walk behind mower and/or a hand trimmer near drop-offs, ditches, steep banks or water. (Figure 3).



**Figure 3**

1. **Safe Zone**-Use the mower here on slopes less than 15 degrees
2. **Danger Zone**-Use a walk behind mower and/or hand trimmer on slopes greater than 15 degrees, near drop-offs and water.
3. **Water**

- Remove or mark obstacles such as rocks, tree limbs, etc. from the mowing area. Tall grass can hide obstacles.
- Watch for ditches, holes, rocks, dips and rises that change the operating angle, as rough terrain could overturn the machine.
- Avoid sudden starts when mowing uphill because the mower may tip backwards.
- Be aware that operating on wet grass, across steep slopes or downhill may cause the mower to lose traction. Loss of traction to the drive wheels may result in sliding and a loss of braking and steering.
- Always avoid sudden starting or stopping on a slope. If tires lose traction, disengage the blades and proceed slowly off the slope.
- Follow the manufacturer's recommendations for wheel weights or counter weights to improve stability.
- Use extreme care with grass catchers or attachments. These can change the stability of the machine and cause loss of control.

## Using the Rollover Protection System (ROPS)

A Rollover Protection System (roll bar) is installed on the unit.



## **⚠ WARNING**

**There is no rollover protection when the roll bar is down. Wheels dropping over edges, ditches, steep banks, or water can cause rollovers, which may result in serious injury, death or drowning.**

- **Keep the roll bar in the raised and locked position and use seat belt.**
  - **Lower the roll bar only when absolutely necessary.**
  - **Do Not wear seat belt when the roll bar is down.**
  - **Drive slowly and carefully.**
  - **Raise the roll bar as soon as clearance permits.**
- Check carefully for overhead clearances (i.e. branches, doorways, and electrical wires) before driving under any objects and Do Not contact them.
  - In the event of a rollover, take the unit to an Authorized Service Dealer to have the ROPS inspected.
- Disconnect battery or remove spark plug wire before making any repairs. Disconnect the negative terminal first and the positive last. Reconnect positive first and negative last.
  - Use care when checking blades. Wrap the blade(s) or wear gloves, and use caution when servicing them. Only replace damaged blades. Never straighten or weld them.
  - Keep hands and feet away from moving parts. If possible, Do Not make adjustments with the engine running.
  - Charge batteries in an open well ventilated area, away from spark and flames. Unplug charger before connecting or disconnecting from battery. Wear protective clothing and use insulated tools.
  - Keep all guards, shields and all safety devices in place and in safe working condition.
  - Check all bolts frequently to maintain proper tightness.
  - Frequently check for worn or deteriorating components that could create a hazard.
  - All replacement parts must be the same as or equivalent to the parts supplied as original equipment.

## **Maintenance and Storage**

- Disengage drives, lower implement, set parking brake, stop engine and remove key or disconnect spark plug wire. Wait for all movement to stop before adjusting, cleaning or repairing.
- Keep engine and engine area free from accumulation of grass, leaves, excessive grease or oil, and other debris which can accumulate in these areas. These materials can become combustible and may result in a fire.
- Let engine cool before storing and Do Not store near flame or any enclosed area where open pilot lights or heat appliances are present.
- Shut off fuel while storing or transporting. Do Not store fuel near flames or drain indoors.
- Park machine on level ground. Never allow untrained personnel to service machine.
- Use jack stands to support components when required.
- Carefully release pressure from components with stored energy.

## **⚠ WARNING**

**Hydraulic fluid escaping under pressure can penetrate skin and cause injury. Fluid accidentally injected into the skin must be surgically removed within a few hours by a doctor familiar with this form of injury or gangrene may result.**

- **Keep body and hands away from pinhole leaks or nozzles that eject high pressure hydraulic fluid.**
- **Use cardboard or paper, not your hands, to find hydraulic leaks.**
- **Safely relieve all pressure in the hydraulic system by placing the motion control levers in neutral and shutting off the engine before performing any work on the hydraulic system.**

## Safety and Instructional Decals

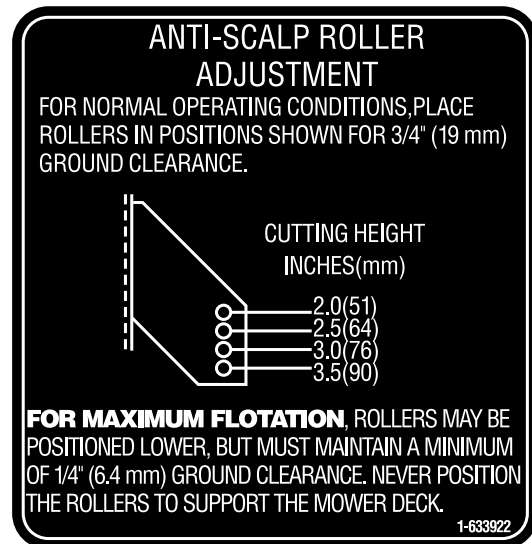
- Keep all safety signs legible. Remove all grease, dirt and debris from safety signs and instructional labels.
- Replace all worn, damaged, or missing safety signs.
- When replacement components are installed, be sure that current safety signs are affixed to the replaced components.
- If an attachment or accessory has been installed, make sure current safety signs are visible.
- New safety signs may be obtained from your authorized Exmark equipment dealer or distributor or from Exmark Mfg. Co. Inc.
- Safety signs may be affixed by peeling off the backing to expose the adhesive surface. Apply only to a clean, dry surface. Smooth to remove any air bubbles.
- Familiarize yourself with the following safety signs and instruction labels. They are critical to the safe operation of your Exmark commercial mower.



1-303508



1-403005



1-633922



98-5954



103-2076

**⚠ WARNING**



**TO AVOID INJURY OR DEATH FROM ROLLOVER:**  
Keep roll bar in the raised and locked position and use seat belt.




**THERE IS NO ROLL OVER PROTECTION WHEN THE ROLL BAR IS DOWN.**  
Lower the roll bar only when absolutely necessary.  
Do not wear seat belt when the roll bar is down.  
Drive slowly and carefully.  
Raise the roll bar as soon as clearance permits.  
Read and follow slope operation instructions and warnings.

107-2102


107-2102

**⚠ WARNING**

- Operating on wet grass or steep slopes can cause sliding and loss of control.
- Wheels dropping over edges can cause rollovers, which may result in serious injury, death or drowning.
- To avoid loss of control and possibility of rollover:
  - Do NOT operate near drop-offs or near water.
  - Do NOT operate on slopes greater than 15°.
  - Reduce speed and use extreme caution on slopes.
  - Avoid sudden turns or rapid speed changes.
- There is no rollover protection when the roll bar is down.
- Always keep roll bar in the raised and locked position and use seat belt.
- Read and follow rollover protection instructions and warning.



Greater than 15°



107-2112

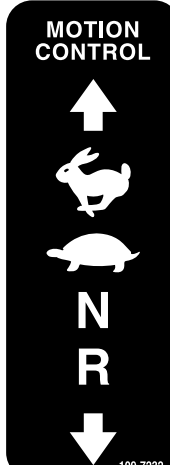
107-2112

**Lubricate Blade Bolt threads with copper based antiseize or grease and torque to 55-60 ft-lbs (75-81 N·m)**

109-3148

109-3148

**MOTION CONTROL**



109-7232

109-7232

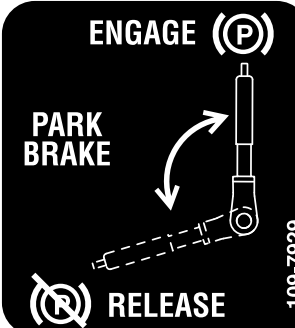
- 1. Fast
- 2. Slow
- 3. Neutral
- 4. Reverse

**25A MAIN    10A PTO    25A CHARGE    15A OPT ACC**

109-7330

109-7330

**ENGAGE (P)**



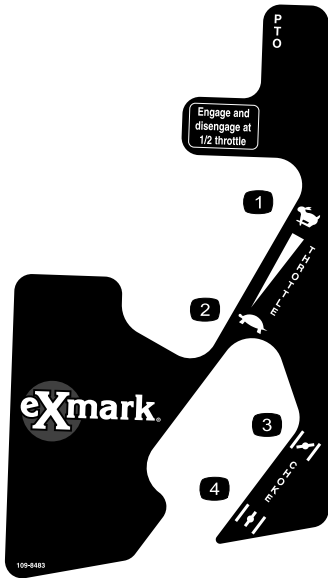
**PARK BRAKE**

**RELEASE**

109-7929

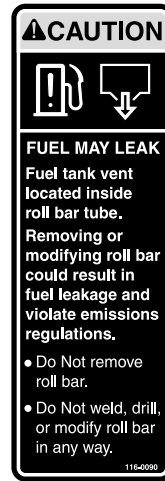
109-7929

# Safety



109-8483

- 1. Throttle—fast
- 2. Throttle—slow
- 3. Choke—on
- 4. Choke—off

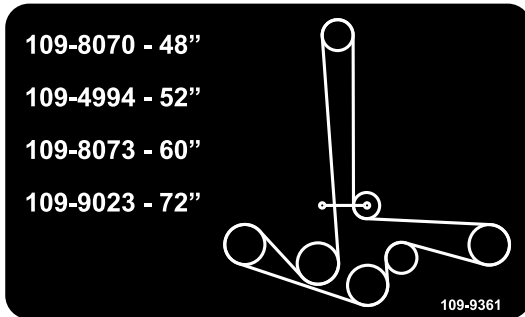


116-0090



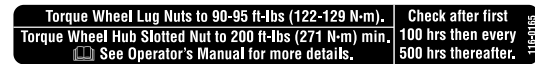
116-0157

- 1. See Operator's manual



109-9361

Deck Drive Belt Routing



116-0165

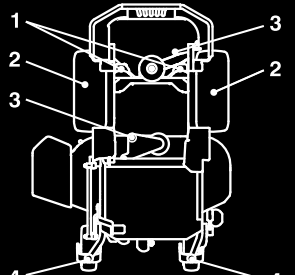


109-9477



116-0205

**SERVICE AID** 116-0211



**Every 50 hours:**

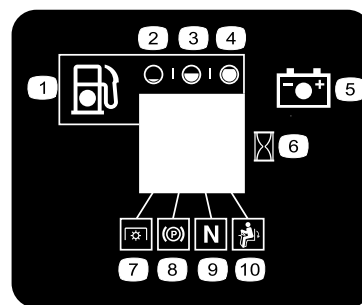
1. Check hydraulic oil (Only use recommended hydro oil)
2. Check tire pressure in pneumatic tires - 13 psi

**Yearly:**

3. Grease belt idlers
4. Grease front caster pivots

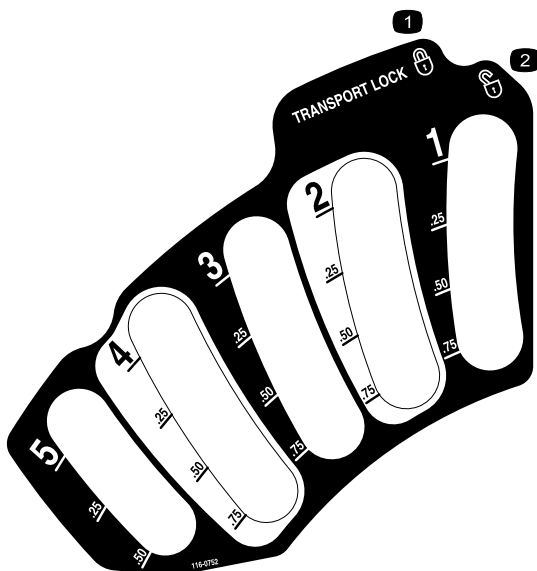
See operator's manual for additional details.

116-0211



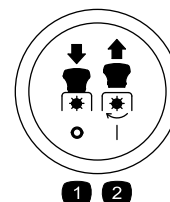
Message Display

- |            |                              |
|------------|------------------------------|
| 1. Fuel    | 6. Hour meter                |
| 2. Empty   | 7. PTO                       |
| 3. Half    | 8. Parking brake             |
| 4. Full    | 9. Neutral                   |
| 5. Battery | 10. Operator presence switch |



116-0752

1. Latch
2. Unlatch



PTO Switch Symbols

1. PTO-disengage
2. PTO-engage

|   |  |   |
|---|--|---|
| <p><b>WARNING</b></p> <p>To avoid serious injury or death:</p> <ul style="list-style-type: none"> <li>• Read and understand the operator's manual before using this machine.</li> <li>• Do NOT operate unless trained to safely use this machine.</li> <li>• Do NOT operate under the influence of alcohol or drugs.</li> <li>• Hearing protection is recommended.</li> <li>• Do NOT operate without shields, guards, and safety devices in place and working.</li> <li>• Check the function of the operator presence controls (OPC) safety system daily. Do NOT defeat the OPC system.</li> <li>• Stop engine and remove key before adjusting, servicing or cleaning machine and attachments.</li> </ul> | <p><b>DANGER</b></p> <p>To avoid serious injury or death:</p> <ul style="list-style-type: none"> <li>• Avoid blades unless engine and blades are stopped.</li> </ul>   <p>109-7069</p> | <p><b>WARNING</b></p> <p>To avoid serious injury or death:</p> <ul style="list-style-type: none"> <li>• Pick up objects that could be thrown by the blades.</li> <li>• Do NOT mow when people and pets are in the area.</li> <li>• Do NOT carry passengers. Look behind and to the side before changing directions.</li> <li>• Before leaving the operator's position: <ul style="list-style-type: none"> <li>- Disengage PTO.</li> <li>- Move drive levers out to neutral lock position.</li> <li>- Engage park brake.</li> <li>- Stop engine.</li> </ul> </li> </ul>  |
|---|--|---|

109-7069

# Specifications

## Model Numbers

Serial Nos: 790,000 and Higher

LZZ23KC486; LZZ23KA526; LZZ23KC526; LZZ27KC526; LZZ27KC606; LZZ29KA606; LZZ34KA606;  
LZZ34KA726

## Systems

### Engine

- Engine Specifications: See your Engine Owner's Manual
- RPM: Full Speed: 3750 ±50 RPM (PTO not engaged) Idle: 1500 RPM

### Fuel System

- Capacity: 12.0 gal. (45.4 L)
- Type of Fuel: Regular unleaded gasoline, 87 octane or higher.
- Fuel Filter:
  - Kohler:  
Kohler P/N 24 050 13
  - Kawasaki:  
Kawasaki P/N 49019-7001
- Fuel Shut-Off Valve:  
All Units: 1/4 turn increments ("ON", "OFF").
- Fuel level eight segment display — right hand control panel.
- Low fuel indicator light.

### Electrical System

- Charging System: Flywheel Alternator
- Charging Capacity:  
Kohler and Kawasaki: 15 amps
- Battery Type: BCI Group U1
- Recommended Minimum Battery CCA:
  - 34HP Kawasaki: 340 CCA
  - All other engines: 260 CCA
- Battery Voltage: 12 Volt
- Low Voltage Light — RH control panel
- Polarity: Negative Ground
- Fuses:

All units:

- 25 amp main fuse
- 25 amp charging system fuse
- 10 amp PTO fuse
- 15 amp accessory fuse

### Safety Interlock System

- LCD indicators appear for the PTO, park brake, drive levers, and operator presence in the message display on the RH control panel.
- PTO must be disengaged, brake engaged, and motion control levers out (neutral lock) to start engine. (It is not necessary for the operator to be in the seat to start the engine.)
- Operator must be in seat when PTO is engaged, brake is disengaged, or motion control levers are moved in or engine will stop.
- Engine will stop if either the left, the right, or both levers are moved from neutral lock position while brake is engaged.

### Operator Controls

- Steering and Motion Control:

**Note:** Motion control levers are adjustable to two heights.

- Separate levers, on each side of the console, control speed and direction of travel of the respective drive wheels.
- Steering is controlled by varying the position of the levers relative to each other.
- Moving motion control levers outward (in slots) locks the drive system in neutral.
- PTO Engagement Switch: Engages electric clutch (to drive belt) which engages mower blades.
- Parking Brake Lever: Engages parking brake.
- Parking Brake Release Button: Releases parking brake.

- Deck Height Adjustment Lever: Sets cutting height to desired position.
- Deck Lift Pedal: Foot pedal that lifts deck.
- Transport Lock:
  - Latching position: Automatically latches at the transport position.
  - Unlatching position: Deck does not latch at the transport position.

## Seat

- Type: Standard seat with high back, extra wide foam padded seat cushion with internal suspension, thick bolstering, two-tone cover, armrests, integral safety switch, and seat vibration isolation system.

Optional seat accessories for units with standard seats:

- Custom ride suspension system to enhance Standard Seat. Adds approximately 3 inches (7.6 cm) to seat height.
- Deluxe suspension seat with high back, low profile foam-in-place cushion (dampened, adjustable spring suspension), armrests, and integral safety switch. Seat height remains the same.
- Seat Isolation System for reduced vibration, to enhance ride of standard seat, standard seat with Custom Ride Seat Suspension or Deluxe Suspension Seat. Adds approximately 1 inch (2.5 cm) to seat height. Seat Isolation System is standard on all units.
- Mounting: Hinged seat frame to tilt up seat. Held in tilted position with prop rod. Adjustable fore and aft on seat tracks.
- Armrests:
  - Standard seat: foam padded adjustable flip-up armrests.
  - Suspension seat: molded adjustable flip-up armrests.
- Seat Safety Switch:

Integrated seat switch. Time delay seat switch eliminates rough ground cut-outs.

## Hydrostatic Ground Drive System

- Two unitized hydrostatic transmissions:
  - 48 and 52 inch decks:
    - ◇ 12cc Parker axial piston pump
    - ◇ 240cc Parker geroler motor
  - 60 and 72 inch decks:
    - ◇ 16cc Parker axial piston pump
    - ◇ 280cc Ross geroler motor
- Hydraulic Oil Type: Exmark Premium Hydro oil.
- Hydraulic Oil Capacity: 52 oz (1.5 L) per side
- Hydraulic Filter: P/N 116-0164
- Speeds:
  - 12cc
    - ◇ 0-10 mph (16.1 km/hr) forward.
    - ◇ 0-5.5 mph (8.9 km/hr) reverse.
  - 16cc
    - ◇ 0-11.5 mph (18.5 km/hr) forward.
    - ◇ 0-6 mph (9.7 km/hr) reverse.
- Drive wheel release valves allow machine to be moved when engine is not running.

## Tires & Wheels

|                      | Drive                  | Front Caster   |
|----------------------|------------------------|----------------|
|                      | Pneumatic (Air-Filled) | Semi-Pneumatic |
| Quantity             | 2                      | 2              |
| Tread                | “Multi-Trac C/S”       | Smooth         |
| Size (60 & 72 Decks) | 24 x 12.00-12          | 13 x 6.50-6    |
| Size (48 & 52 Decks) | 24 x 9.50-12           | 13 x 5.00-6    |
| Ply Rating           | 4                      |                |
| Pressure             | 13 psi (90 kPa)        |                |

# Specifications

## Cutting Deck

- Cutting Width:
  - 48 inch Deck: (121.9 cm)
  - 52 inch Deck: (132.1 cm)
  - 60 inch Deck: (152.4 cm)
  - 72 inch Deck: (182.9 cm)
- Discharge: Side
- Blade Size: (3 ea.)
  - 48 inch Deck: 16.25 inches (41.3 cm)
  - 52 inch Deck: 18.00 inches (45.7 cm)
  - 60 inch Deck: 20.50 inches (52.1 cm)
  - 72 inch Deck: 24.50 inches (62.2 cm)
- Blade Spindles: Solid steel spindles with 1.18 inch (30 mm) I.D. bearings.
- Deck Drive:
 

Electric clutch. Shaft diameter 1.125 inches (2.86 cm)

  - 48 and 52 inch Decks: “B” Section belt with self-tensioning idler.
  - 60 and 72 inch Decks: 5V Section belt with self-tensioning idler.
- Deck:
 

Full floating deck is attached to out-front support frame. Anti-scalp rollers provide maximum turf protection. Deck design allows for bagging, mulching or side discharge.

  - 48 inch Deck: 3 anti-scalp rollers
  - 52 inch Deck: 3 anti-scalp rollers
  - 60 inch Deck: 4 anti-scalp rollers
  - 72 inch Deck: 4 anti-scalp rollers
- Deck Depth:
  - 48 inch Deck: 5.5 inches (14 cm)
  - 52 inch Deck: 5.5 inches (14 cm)
  - 60 inch Deck: 5.5 inches (14 cm)
  - 72 inch Deck: 5.5 inches (14 cm)
- Cutting Height Adjustment:
 

Foot activated lever is used to adjust the cutting height from 1 inch (2.5 cm) to 5 1/2 inches (14 cm) in 1/4 inch (6.4 mm) increments.
- Mulching Kit: Optional.

## Dimensions

### Overall Width:

|                | 48 inch Deck              | 52 inch Deck              |
|----------------|---------------------------|---------------------------|
| Without Deck   | 45.7 inches<br>(116.1 cm) | 45.7 inches<br>(116.1 cm) |
| Deflector Up   | 51.8 inches<br>(131.6 cm) | 56.3 inches<br>(143.0 cm) |
| Deflector Down | 59.6 inches<br>(151.4 cm) | 64.8 inches<br>(164.6 cm) |

|                | 60 inch Deck              | 72 inch Deck              |
|----------------|---------------------------|---------------------------|
| Without Deck   | 53.0 inches<br>(134.6 cm) | 59.1 inches<br>(150.1 cm) |
| Deflector Up   | 62.5 inches<br>(158.8 cm) | 73.5 inches<br>(186.7 cm) |
| Deflector Down | 72.8 inches<br>(184.9 cm) | 84.9 inches<br>(215.6 cm) |

### Overall Length:

|                 | 48 inch Deck              | 52 inch Deck              |
|-----------------|---------------------------|---------------------------|
| Roll Bar - Up   | 79.2 inches<br>(201.2 cm) | 79.2 inches<br>(201.2 cm) |
| Roll Bar - Down | 80.9 inches<br>(205.5 cm) | 80.9 inches<br>(205.5 cm) |

|                 | 60 inch Deck              | 72 inch Deck              |
|-----------------|---------------------------|---------------------------|
| Roll Bar - Up   | 83.1 inches<br>(211.1 cm) | 86.1 inches<br>(218.7 cm) |
| Roll Bar - Down | 84.8 inches<br>(215.4 cm) | 87.8 inches<br>(223.0 cm) |

### Overall Height:

| Roll Bar - Up          | Roll Bar - Down        |
|------------------------|------------------------|
| 70.5 inches (179.1 cm) | 46.8 inches (118.9 cm) |



## Tread Width: (Center to Center of Tires, Widthwise)

|               | 48 inch Deck             | 52 inch Deck             |
|---------------|--------------------------|--------------------------|
| Drive Wheels  | 36.2 inches<br>(91.9 cm) | 36.2 inches<br>(91.9 cm) |
| Caster Wheels | 32.8 inches<br>(83.3 cm) | 32.8 inches<br>(83.3 cm) |

|               | 60 inch Deck              | 72 inch Deck              |
|---------------|---------------------------|---------------------------|
| Drive Wheels  | 41.6 inches<br>(105.7 cm) | 43.6 inches<br>(110.7 cm) |
| Caster Wheels | 39.5 inches<br>(100.3 cm) | 47.1 inches<br>(119.6 cm) |

## Wheel Base: (Center of Caster Tire to Center of Drive Tire)

| 48 inch Deck              | 52 inch Deck              | 60 inch Deck              | 72 inch Deck              |
|---------------------------|---------------------------|---------------------------|---------------------------|
| 48.0 inches<br>(121.9 cm) | 48.0 inches<br>(121.9 cm) | 50.6 inches<br>(128.5 cm) | 53.6 inches<br>(136.1 cm) |

## Curb Weight:

|                     | 48 inch Deck        | 52 inch Deck        | 60 inch Deck        | 72 inch Deck        |
|---------------------|---------------------|---------------------|---------------------|---------------------|
| 23HP Kawasaki Units | —                   | 1108 lb<br>(503 kg) | —                   | —                   |
| 23HP Kohler Units   | 1125 lb<br>(510 kg) | 1116 lb<br>(506 kg) | —                   | —                   |
| 27HP Kohler Units   | —                   | 1116 lb<br>(506 kg) | 1195 lb<br>(542 kg) | —                   |
| 29HP Kawasaki Units | —                   | —                   | 1212 lb<br>(550 kg) | —                   |
| 34HP Kawasaki Units | —                   | —                   | 1260 lb<br>(572 kg) | 1292 lb<br>(586 kg) |

## Accessory Weight Table Worksheet:

Use the table below to determine if extra weight is required for the unit. Identify the accessories and correct deck size and place the corresponding values in the Accessory Score column. If the Total Accessory Score meets the following, add the recommended weight kit.

**Note:** The 72 inch deck does not require a weight kit.

|                              | 48 inch Deck | 52 inch Deck | 60 inch Deck | Accessory Score |
|------------------------------|--------------|--------------|--------------|-----------------|
| Light Kit                    | 2            | 2            | 2            |                 |
| Michigan Seat/CRSS           | 11           | 10           | 3            |                 |
| Bagger                       | 0            | 0            | 3            |                 |
| Pneumatic Caster Tires       | 7            | 6            | 5            |                 |
| Mulch Kit                    | -3           | -3           | -5           |                 |
| Striper Kit                  | -3           | 0            | 0            |                 |
| OCD02                        | -6           | -6           | -4           |                 |
| Hitch Kit                    | 1            | 1            | 1            |                 |
| Sunshade Kit                 | 2            | 3            | 2            |                 |
| <b>Total Accessory Score</b> |              |              |              |                 |

| Total Accessory Score | Required Weight Kit(s)   |
|-----------------------|--|
| 0 – 9                 | None required  |
| 10 – 19               | *116-1173 Under toe board mount weight kit   |
| 20 and Higher         | *Two 116-1173 Under toe board mount weight kits or one 116-1173 Under toe board mount weight kit and one 116-1238 Front toe board mount weight kit |

\*48 and 52 inch units that come with an under toe board weight as standard, can add an additional toe board weight for primary accessory weighting (scores 10-19); and front toe board weight kit for secondary accessory weighting (scores 20 and higher). Other units should install a first under toe board kit for primary accessory weighting (scores 10-19); and a second under toe board kit for secondary accessory weighting (scores 20 and higher).

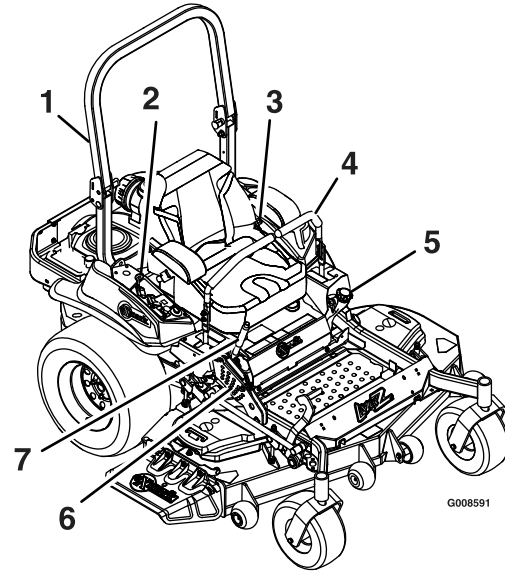
# Product Overview

\*60 inch units which already have an under toe board mount weight as standard requires 116-1238 front toe board top mount kit instead of 116-1173.

## Torque Requirements

| Bolt Location  | Torque   |
|--|--|
| Blade Drive Sheave Mounting Nut  | 90-110 ft-lb (122-149 N-m)   |
| Cutter Housing Spindle Nut   | 160-185 ft-lb (217-251 N-m)  |
| Blade Mounting Bolt (lubricate with anti-seize)  | 55-60 ft-lb (75-81 N-m)  |
| Anti-Scalp Roller Nyloc Nut See Figure 18  | 30-35 ft-lb (41-47 N-m)  |
| Anti-Scalp Roller Hex Capscrew See Figure 18   | 50-55 ft-lb (68-75 N-m)  |
| Engine Mounting Bolts (Kawasaki 23HP) (Kohler 23-27HP) (Kawasaki 29HP) (Kawasaki 34HP) | 15-19 ft-lb (20-26 N-m)<br>27-33 ft-lb (37-45 N-m)<br>27-33 ft-lb (37-45 N-m)<br>17-21 ft-lb (23-28 N-m) |
| Wheel Lug Nuts   | 90-95 ft-lb (122-129 N-m)  |
| Wheel Motor Mounting Bolts   | 72-77 ft-lb (98-104 N-m)   |
| Wheel Hub Slotted Nut  | minimum 200 ft-lb (271 N-m)  |
| Rollover Protection System (Roll Bar) 1/2 inch Mounting Bolts                          | 75-80 ft-lb (102-108 N-m)  |
| Clutch Retaining Bolt (secured with threadlocker)                                      | 55-60 ft-lb (75-81 N-m)  |
| Hydro Park Brake Cable Anchor 1/2 inch Mounting Bolt (secured with threadlocker)       | 67-89 ft-lb (91-121 N-m)   |

# Product Overview



**Figure 4**

- |                                      |                                     |
|--------------------------------------|-------------------------------------|
| 1. Rollover Protection System (ROPS) | 5. Fuel cap                         |
| 2. Engine Controls (right console)   | 6. Height of cut adjustment console |
| 3. Seat belt                         | 7. Parking brake                    |
| 4. Motion control levers             |                                     |

# Operation

**Note:** Determine the left and right sides of the machine from the normal operating position.

## Controls

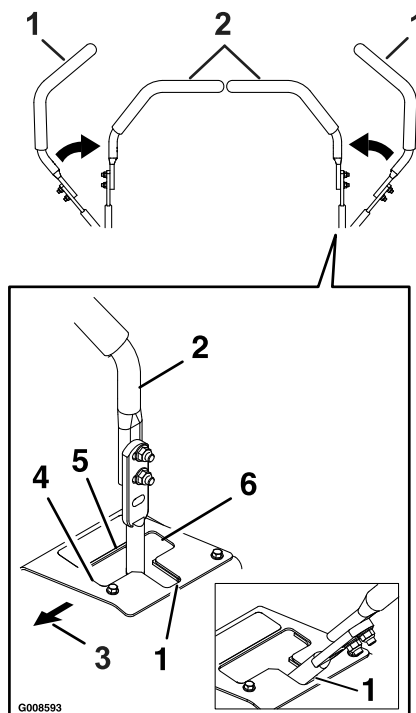
### Motion Control Levers

The motion control levers located on each side of the console control the forward and reverse motion of the machine.

Moving the levers forward or backward turns the wheel on the same side forward or reverse respectively. Wheel speed is proportional to the amount the lever is moved.

Moving the levers outward from the center position into the T-slot locks them in the neutral position (Figure 5).

When the motion control levers are in the neutral position, the LCD indicator appears in the message display on the RH console (see Figure 9).



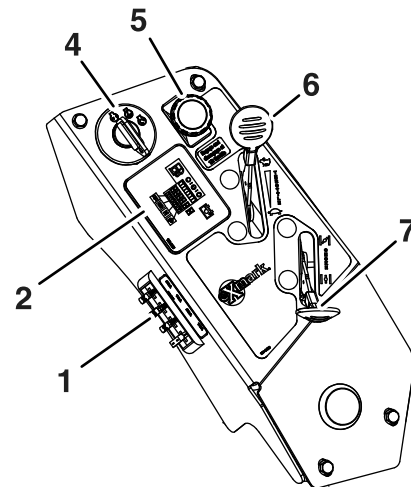
**Figure 5**

- |  |                      |
|--|----------------------|
| 1. Neutral lock position (handles out)   | 4. Forward           |
| 2. Neutral operate position (handles in) | 5. Neutral (operate) |
| 3. Front of Unit                         | 6. Reverse           |

### Choke Control

Located on right console (black lever) (see Figure 6).

The choke is used to aid in starting a cold engine. Moving the choke lever forward will put the choke in the “ON” position and moving the choke lever to the rear, to the detent, will put the choke in the “OFF” position. Do Not run a warm engine with choke in the “ON” position.



**Figure 6**

Right Console

1. Fuses
2. Message display
3. Ignition switch
4. PTO engagement switch
5. Throttle
6. Choke

### Throttle Control

Located on right console (red lever) (see Figure 6).

The throttle is used to control engine speed. Moving the throttle lever forward will increase engine speed and moving the throttle lever to the rear will decrease engine speed. Moving the throttle forward into the detent is full throttle.

### Brake Lever

Located on right side of unit, just to the front of the RH motion control lever.

The brake lever engages a parking brake on the drive wheels.

# Operation

**Note:** The LCD indicator appears in the message display on the RH console when the park brake is engaged (see Figure 9).

Pull the lever up and rearward to engage the brake.

Depress the release button and push downward to disengage the brake.

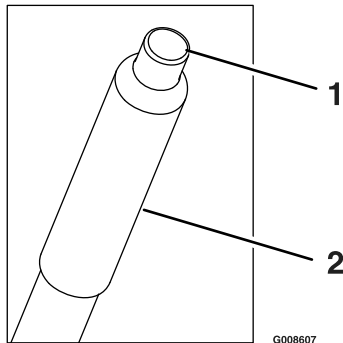


Figure 7

1. Release button      2. Park brake

The unit must be tied down and brake engaged when transporting.

## Ignition Switch

Located on right console (see Figure 6).

The ignition switch is used to start and stop the engine. The switch has three positions “OFF”, “ON” and “START”. Insert key into switch and rotate clockwise to the “ON” position. Rotate clockwise to the next position to engage the starter (key must be held against spring pressure in this position). Allow the key to return to the “on” position immediately after the engine starts.

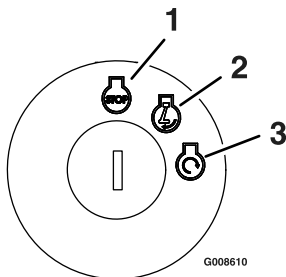


Figure 8

1. Off      3. Start  
2. On

**Note:** Brake must be engaged, motion control levers out (neutral lock position) and PTO switch

disengaged to start engine. (It is not necessary for the operator to be in the seat to start the engine.)

## Hour Meter

Located on the right console in the message display (see Figure 6 and Figure 9).

The hour meter records the number of hours that the engine has run.

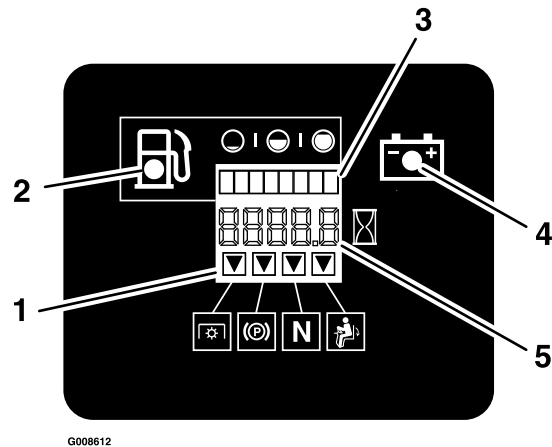


Figure 9

1. LCD Indicators  
2. Low fuel indicator light  
3. Fuel level bar display  
4. Low voltage indicator light  
5. Hour/Voltage display

Hours are recorded when the key is on and the engine is running (battery voltage is 12.8V or higher) or when the key is on and the operator is in the seat.

The hour meter is recording when the decimal point is flashing in Hour/Voltage display.

Hours are displayed when the key is off and when the machine is running.

**Note:** If the ignition key is turned to the “ON” position for a few seconds before cranking the engine, the battery voltage will display in the area where the hours are normally displayed.

**Note:** The LCD indicators appear when each control meets the “safe to start” mode (e.g. the indicator turns on when the operator is in the seat.)

## Fuel Shut-Off Valve

Located behind and below the seat.

The fuel shut-off valve is used to shut off the fuel when the machine will not be used for a few days, during transport to and from the jobsite, and when parked inside a building.

Align valve handle with the fuel line to open. Rotate 90° to close.

## Fuel Gauge

Located on the right console in the message display (see Figure 6 and Figure 9).

The fuel level is shown on a bar display. The indicator light appears when the fuel level is low (approximately one gallon remaining in the tank).

## Drive Wheel Release Valves

### ⚠ WARNING

Hands may become entangled in the rotating drive components below the engine deck, which could result in serious injury or death.

Stop engine, remove key, allow all the moving parts to stop before accessing the drive wheel release valves.

### ⚠ WARNING

The engine and hydraulic drive units can become very hot. Touching a hot engine or hydraulic drive units can cause severe burns.

Allow the engine and hydraulic drive units to cool completely before accessing the drive wheel release valves.

Located on the back of the unitized hydraulic drive units, below the engine deck.

During normal operating conditions, the drive wheel release valves are positioned horizontally. If the machine has to be pushed by hand, the valves must be in the “released” position (see Figure 10).

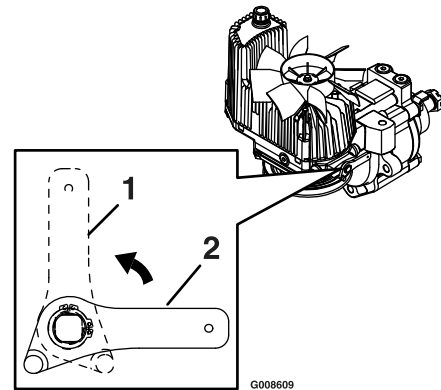


Figure 10

1. Handle in “released” position
2. Handle in “operating” position

To release the drive system (see item 1 in Figure 10), rotate the handle 1/4 turn to the vertical position until it hits against the stop.

To reset the drive system (see item 2 in Figure 10), rotate the handle 1/4 turn to the horizontal position until it hits against the stop.

**Note:** The handle must be horizontal and against the stop for operation.

**Do Not tow machine.**

## PTO Engagement Switch

Located on right console (see Figure 6).

Switch must be pulled out (up) to engage the blades. Switch is pushed in to disengage the blades.

The LCD indicator will appear when the PTO switch is disengaged (see Figure 9).

## Low Voltage Indicator

Located on the right console in the message display (see Figure 6 and Figure 9).

A low voltage condition (less than 12.3 volts) exists when the LCD indicator appears on the message display while the engine is running.

If the ignition key is turned to the “ON” position for a few seconds before cranking the engine, the battery voltage will display in the area where the hours are normally displayed.

**Note:** The indicator normally appears when the engine is off and the key switch is turned to the “ON” position.

# Operation

## Deck Lift Pedal

Located at the right front corner of the floor pan.

Push the pedal forward with your foot to raise the cutting deck. Allow the pedal to move rearward to lower the cutting deck to the cut height that has been set.

## Transport Lock

Located on the height of cut adjustment plates to the right of the parking brake.

Position in the transport latching position to automatically latch the cutting deck when raised to the transport position (see item 1 in Figure 11).

In the non-latching position, the deck will automatically return to the cutting height when the pedal is lowered (see item 3 in Figure 11).

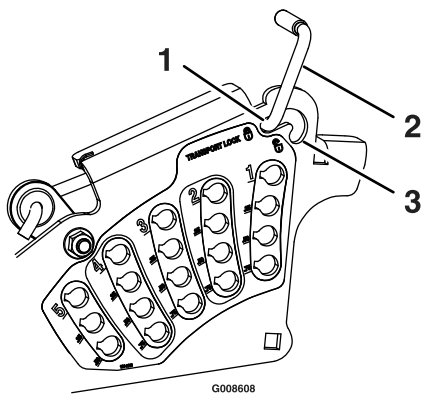


Figure 11

1. Latching position
2. Transport lock control
3. Non-latching position

## Pre-Start

Fill fuel tank. For best results use only clean, fresh regular unleaded gasoline with an octane rating of 87 or higher.

**Do Not** add oil to gasoline.

**Do Not** overfill fuel tank. Never fill the fuel tank so that the fuel level rises above a level that is 1/2 inch (13 mm) below the bottom of the filler neck to allow for fuel expansion and prevent fuel spillage.

Make sure you understand the controls, their locations, their functions, and their safety requirements.

Refer to the Maintenance section and perform all the necessary inspection and maintenance steps.

## Operating Instructions

### Raise the Rollover Protection System (ROPS)

**Important:** The roll bar is an integral and effective safety device. Keep the roll bar in the raised and locked position when operating the mower. Lower the roll bar temporarily only when absolutely necessary.

1. The knob must be completely latched with the tabs interlocking as shown in Figure 12 to lock the roll bar in the raised, operate position.
2. Apply forward pressure to the upper hoop of the roll bar.
3. Pull the knob and rotate 90° to hold in the unlatched position to lower the roll bar.
4. To return to the operate position, raise the roll bar, and then rotate knobs 90° so that the tabs interlock partially. Apply forward pressure to the roll bar upper hoop and observe that the knobs return to the completely latched position.

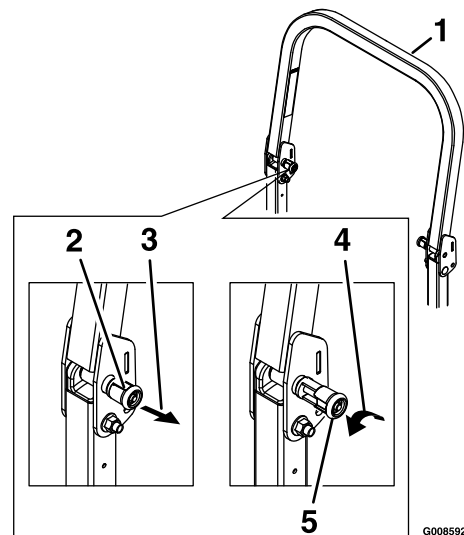
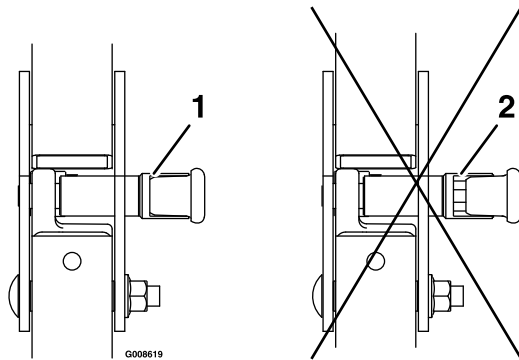


Figure 12

1. Roll bar upper hoop
2. Knob in "latched" position
3. Pull knob to unlatch
4. Rotate 90° to hold unlatched
5. Knob in "unlatched" position

5. Make sure the knobs are fully engaged with the roll bar in the raised position. The upper hoop of

the roll bar may need to be pushed forward or pulled rearward to get both knobs fully engaged (see Figure 13).



**Figure 13**

1. Engaged
2. Partially engaged — Do Not operate with ROPS in this condition.

**Important:** Always use the seat belt with the roll bar in the operate (raised) position. Ensure that the rear part of the seat is secured with the seat latch.

## Open the Fuel Shut-Off Valve

The fuel shut off valve is located behind and below the seat. Rotate the valve and align with the fuel line to open.

## Starting the Engine

1. Move the motion control levers out to the neutral lock position.
2. Pull up and back on the parking brake lever to engage the parking brake.
3. Push down on the PTO switch to the “disengage” position.

**Note:** It is not necessary for the operator to be in the seat to start the engine.

4. Place the throttle midway between the “SLOW” and “FAST” positions.
5. On a cold engine, push the choke lever forward into the “ON” position.

On a warm engine, leave the choke in the “OFF” position.

6. Turn ignition switch to the “START” position. Release the switch as soon as the engine starts.

**Important:** Do Not crank the engine continuously for more than ten seconds at a

time. If the engine does not start, allow a 60 second cool-down period between starting attempts. Failure to follow these guidelines can burn out the starter motor.

7. If the choke is in the “ON” position, gradually return choke to the “OFF” position as the engine warms up.

## Engaging the PTO

### **⚠ DANGER**

The rotating blades under the mower deck are dangerous. Blade contact can cause serious injury or kill you.

**Do Not** put hands or feet under the mower or mower deck when the blades are engaged.

### **⚠ DANGER**

An uncovered discharge opening will allow objects to be thrown in an operator’s or bystander’s direction. Also, contact with the blade could occur. Thrown objects or blade contact can cause serious injury or death.

**Never** operate the mower with the discharge deflector raised, removed, or altered unless there is a grass collection system or mulch kit in place and working properly.

The PTO push-pull switch engages the cutting blades. Be sure that all persons are clear of the mower deck and discharge area before engaging PTO.

**Important:** Operator must be in seat before the PTO can be engaged.

1. Set the throttle midway between the “SLOW” and “FAST” positions.
2. Pull the PTO switch outward to engage the blades.
3. Place the throttle in the “FAST” position to begin mowing.

## Disengaging the PTO

1. Set the throttle midway between the “SLOW” and “FAST” positions.
2. Push the PTO switch in to disengage the blades.

# Operation

## Stopping the Engine

1. Bring the unit to a full stop.
2. Disengage the PTO.
3. Move the motion control levers out to the neutral lock position.
4. Engage the parking brake.
5. Place the throttle midway between the “SLOW” and “FAST” positions.
6. Allow the engine to run for a minimum of 15 seconds, then turn the ignition switch to the “OFF” position to stop the engine.
7. Remove the key to prevent children or other unauthorized persons from starting engine.
8. Close the fuel shut-off valve, located behind and below the seat, when the machine will not be in use for a few days, when transporting, or when the unit is parked inside a building.

## Driving the Machine

### ⚠ CAUTION

Machine can spin very rapidly by positioning one lever too much ahead of the other. Operator may lose control of the machine, which may cause damage to the machine or injury.

- Use caution when making turns.
- Slow the machine down before making sharp turns.

**Important:** To begin movement (forward or backward) the operator must be in the seat, the brake lever must be disengaged (pushed down) before the motion control levers can be moved in or the engine will stop.

When the motion control levers are positioned fully outward (apart) in the T-slot, the drive system is in the neutral lock position (Figure 14).

**Note:** The “N” LCD indicator appears when both levers are in the neutral lock position.

When the motion control levers are moved directly inward (together) the drive system is in the neutral operate position.

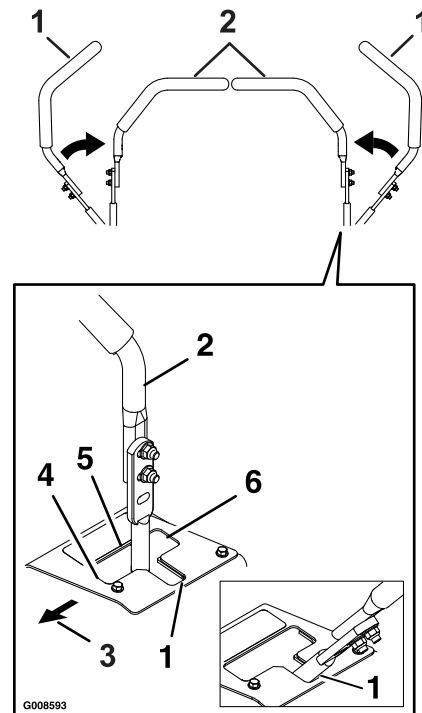


Figure 14

- |  |                      |
|--|----------------------|
| 1. Neutral lock position (handles out)   | 4. Forward           |
| 2. Neutral operate position (handles in) | 5. Neutral (operate) |
| 3. Front of Unit                         | 6. Reverse           |

## Driving Forward

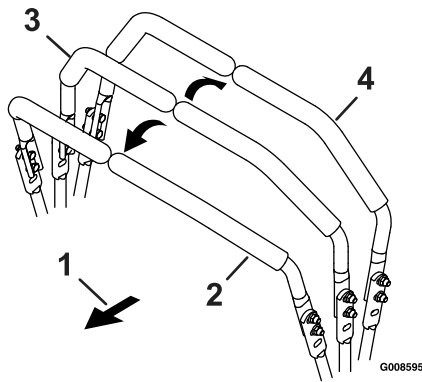
1. Release the parking brake.
2. Move the motion control levers inward to the center to the neutral position.
3. To move forward in a straight line, move both levers forward with equal pressure.

To turn left or right, pull the motion control lever back toward neutral in the desired turn direction.

The machine will move faster the farther the motion control levers are moved from the neutral position.

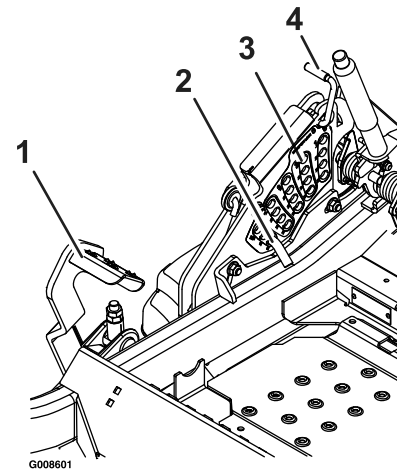
4. To stop, position both motion control levers in the neutral operate position.





**Figure 15**

- |                  |            |
|------------------|------------|
| 1. Front of Unit | 3. Neutral |
| 2. Forward       | 4. Reverse |



**Figure 16**

- |                          |                           |
|--------------------------|---------------------------|
| 1. Deck foot pedal       | 3. Cut of height decal    |
| 2. Height adjustment pin | 4. Transport lock control |

## Driving in Reverse

1. Move the motion control levers inward to the neutral operate position.
2. To move rearward in a straight line, move both levers rearward with equal pressure.  
To turn left or right, release pressure on the motion control lever toward the desired turn direction.
3. To stop, position both motion control levers in the neutral operate position.

## Adjusting the Cutting Height

The cutting height of the mower deck is adjusted from 1 to 5 1/2 inches (2.5 cm to 14 cm) in 1/4 inch (6.4 mm) increments.

1. Stop the machine and move the motion control levers outward to the neutral locked position.
2. Disengage the PTO.
3. Position the transport lock in the latching position.
4. Raise and lock the deck to the 5 1/2 inch (14 cm) transport position (Figure 16).

The deck is raised by pushing the foot operated deck lift pedal forward. The pedal is located at the front right corner of the floor pan.

**Note:** When changing the cutting height positions, always come to a complete stop and disengage the PTO.

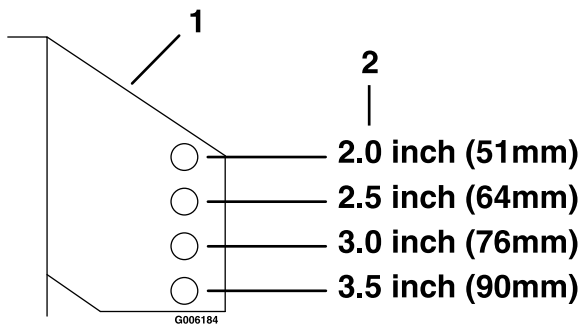
5. Insert the height adjustment pin into the hole corresponding to the desired cutting height.  
See the decal on the side of the deck lift plate for cut heights.
6. Push the deck lift pedal, release the transport lock and allow the deck to lower to the cutting height.

## Adjusting the Anti-Scalp Rollers

It is recommended to change the anti-scalp roller position, when the height of cut has changed.

1. Stop the machine and move the motion control levers outward to the neutral lock position.
2. Disengage the PTO.
3. Engage the park brake.
4. Stop the engine, remove the key and wait for all moving parts to stop.
5. Adjust the anti-scalp rollers by removing the bushing, spring disc washer and bolt.
6. Place the rollers in one of the positions shown (Figure 17). Rollers will maintain 3/4 inch (19 mm) clearance to the ground to minimize gouging and roller wear or damage.

# Operation



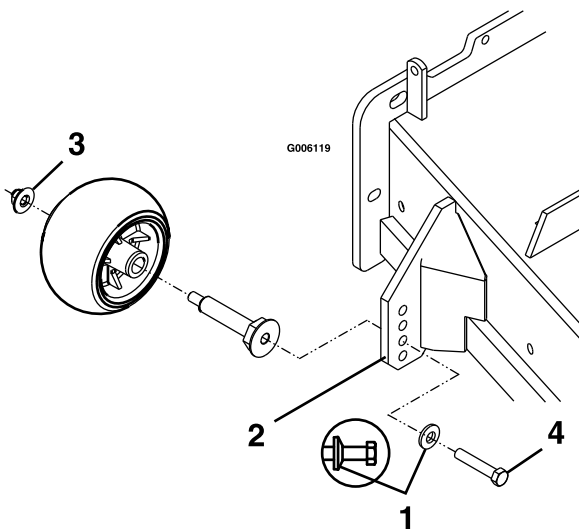
**Figure 17**

For cutting heights above 3.5 inches (90 mm) use the bottom hole. The rollers will still be effective against scalping.

- |                                       |                   |
|---------------------------------------|-------------------|
| 1. Anti-scalp roller mounting bracket | 2. Cutting height |
|---------------------------------------|-------------------|

**For Maximum Deck Flotation**, place the rollers one hole position lower. Rollers should maintain 1/4 inch (6.4 mm) clearance to the ground. **Do Not** adjust the rollers to support the deck.

- Be sure the roller bolts are installed with the spring disc washer between the head of the bolt and the mounting bracket (Figure 18).
- Torque the 3/8-24 x 2 Gr 8 hex capscrew to 50-55 ft-lb (68-75 N-m) (Figure 18).



**Figure 18**

- |  |   |
|--|---|
| 1. Spring disc washer (cone towards bolt head) | 3. 3/8 nyloc-torque to 30-35 ft-lb (41-47 N-m)      |
| 2. Front right anti-scalp bracket shown        | 4. 3/8-24 x 2 GR8 torque to 50-55 ft-lb (68-75 N-m) |

# Transporting

## Transporting a Unit

Use a heavy-duty trailer or truck to transport the machine. Lock brake and block wheels. Securely fasten the machine to the trailer or truck with straps, chains, cable, or ropes. Be sure that the trailer or truck has all necessary lighting and marking as required by law. Secure a trailer with a safety chain.

### **CAUTION**

**This unit does not have proper turn signals, lights, reflective markings, or a slow moving vehicle emblem. Driving on a street or roadway without such equipment is dangerous and can lead to accidents causing personal injury. Driving on a street or roadway without such equipment may also be a violation of State laws and the operator may be subject to traffic tickets and/or fines.**

**Do Not drive a unit on a public street or roadway.**

**⚠ WARNING**

Loading a unit on a trailer or truck increases the possibility of backward tip-over. Backward tip-over could cause serious injury or death.

- Use extreme caution when operating a unit on a ramp.
- Use only a single, full width ramp; Do Not use individual ramps for each side of the unit.
- If individual ramps must be used, use enough ramps to create an unbroken ramp surface wider than the unit.
- Do Not exceed a 15° angle between ramp and ground or between ramp and trailer or truck.
- Avoid sudden acceleration while driving unit up a ramp to avoid tipping backward.
- Avoid sudden deceleration while backing unit down a ramp to avoid tipping backward.

**Important:** Do Not attempt to turn the unit while on the ramp, you may lose control and drive off the side.

Avoid sudden acceleration when driving up a ramp and sudden deceleration when backing down a ramp. Both maneuvers can cause the unit to tip backward.

## Loading a Unit

Use extreme caution when loading units on trailers or trucks. One full width ramp that is wide enough to extend beyond the rear tires is recommended instead of individual ramps for each side of the unit. The lower rear section of the tractor frame extends back between the rear wheels and serves as a stop for tipping backward. Having a full width ramp provides a surface for the frame members to contact if the unit starts to tip backward. If it is not possible to use one full width ramp, use enough individual ramps to simulate a full width continuous ramp.

Ramp should be long enough so that the angles between the ramp and the ground and the ramp and the trailer or truck do not exceed 15°. A steeper angle may cause mower deck components to get caught as the unit moves from ramp to trailer or truck. Steeper angles may also cause the unit to tip backward. If loading on or near a slope, position the trailer or truck so it is on the down side of the slope and the ramp extends up the slope. This will minimize the ramp angle. The trailer or truck should be as level as possible.

## Maintenance

**Note:** Determine the left and right sides of the machine from the normal operating position.

### ⚠ WARNING

While maintenance or adjustments are being made, someone could start the engine. Accidental starting of the engine could seriously injure you or other bystanders.

Remove the key from the ignition switch, engage parking brake, and pull the wire(s) off the spark plug(s) before you do any maintenance. Also push the wire(s) aside so it does not accidentally contact the spark plug(s).

### ⚠ WARNING

The engine can become very hot. Touching a hot engine can cause severe burns.

Allow the engine to cool completely before service or making repairs around the engine area.

## Recommended Maintenance Schedule(s)

| Maintenance Service Interval | Maintenance Procedure   |
|------------------------------|---|
| After the first 5 hours      | <ul style="list-style-type: none"><li>• Change the engine oil.</li></ul>  |
| After the first 100 hours    | <ul style="list-style-type: none"><li>• Check the wheel hub slotted nut torque specifications.</li><li>• Check the wheel lug nuts.</li><li>• Check the park brake adjustment.</li></ul>   |
| Before each use or daily     | <ul style="list-style-type: none"><li>• Check the engine oil level.</li><li>• Check the mower blades.</li><li>• Check the safety interlock system.</li><li>• Check the rollover protections systems (roll bar) knobs.</li><li>• Check the seat belt.</li><li>• Check for loose hardware.</li><li>• Clean the engine and exhaust system area.</li><li>• Clean the hydro fan cooling guards.</li><li>• Clean the grass and debris build-up from the machine and cutting deck.</li><li>• Clean the grass build-up from under the cutting deck.</li></ul> |
| Every 50 hours               | <ul style="list-style-type: none"><li>• Check the hydraulic oil level.</li><li>• Check the tire pressures.</li><li>• Check the condition of the belts.</li><li>• Check spark arrester (if equipped).</li></ul>  |
| Every 100 hours              | <ul style="list-style-type: none"><li>• Change the engine oil. (May need more often under severe conditions.)</li><li>• Lubricate the deck lift pivots.</li><li>• Remove the engine shrouds and clean the cooling fins.</li></ul>   |
| Every 200 hours              | <ul style="list-style-type: none"><li>• Service the air cleaner. (May need more often under severe conditions. See the Engine Owner's Manual for additional information.)</li><li>• Lubricate the brake handle pivot.</li><li>• Check the spark plugs.</li></ul>  |

| Maintenance Service Interval | Maintenance Procedure   |
|------------------------------|---|
| Every 500 hours              | <ul style="list-style-type: none"> <li>• Change the hydraulic filter and fluid.</li> <li>• Check the wheel hub slotted nut torque specifications.</li> <li>• Check the wheel lug nuts.</li> <li>• Check the park brake adjustment.</li> </ul> |
| Yearly                       | <ul style="list-style-type: none"> <li>• Grease the deck and pump idler pivots.</li> <li>• Grease the front caster pivots.</li> </ul>   |

## Periodic Maintenance

### Check Engine Oil Level

#### Service Interval: Before each use or daily

1. Stop engine and wait for all moving parts to stop. Make sure unit is on a level surface.
2. Check with engine cold.
3. Clean area around dipstick. Remove dipstick and wipe oil off. Reinsert the dipstick according to the engine manufacturer's recommendations. Remove the dipstick and read the oil level.
4. If the oil level is low, wipe off the area around the oil fill cap, remove cap and fill to the "FULL" mark on the dipstick. Use oil as specified in Engine Owner's Manual. **Do Not** overfill.

**Important:** Do Not operate the engine with the oil level below the "LOW" (or "ADD") mark on the dipstick, or over the "FULL" mark.

### Check Battery Charge

#### Service Interval: As required

**⚠ WARNING**

**CALIFORNIA**  
Proposition 65 Warning

Battery posts, terminals, and related accessories contain lead and lead compounds, chemicals known to the State of California to cause cancer and reproductive harm. Wash hands after handling.

Allowing batteries to stand for an extended period of time without recharging them will result in reduced performance and service life. To preserve optimum

battery performance and life, recharge batteries in storage when the open circuit voltage drops to 12.4 volts.

**Note:** To prevent damage due to freezing, battery should be fully charged before putting away for winter storage.

Check the voltage of the battery with a digital voltmeter or with the message display. If the ignition key is turned to the "on" position for a few seconds, the battery voltage will be displayed in the area where the hours are normally displayed. Locate the voltage reading of the battery in the table and charge the battery for the recommended time interval to bring the charge up to a full charge of 12.6 volts or greater.

**Important:** Make sure the negative battery cables are disconnected and the battery charger used for charging the battery has an output of 16 volts and 7 amps or less to avoid damaging the battery (see chart for recommended charger settings).

| Voltage Reading | Percent Charge | Maximum Charger Settings | Charging Interval    |
|-----------------|----------------|--------------------------|----------------------|
| 12.6 or greater | 100%           | 16 volts/7 amps          | No Charging Required |
| 12.4 – 12.6     | 75–100%        | 16 volts/7 amps          | 30 Minutes           |
| 12.2 – 12.4     | 50–75%         | 16 volts/7 amps          | 1 Hour               |
| 12.0–12.2       | 25–50%         | 14.4 volts/4 amps        | 2 Hours              |
| 11.7–12.0       | 0–25%          | 14.4 volts/4 amps        | 3 Hours              |
| 11.7 or less    | 0%             | 14.4 volts/2 amps        | 6 Hours or More      |

## Check Mower Blades

### Service Interval: Before each use or daily

1. Stop engine, wait for all moving parts to stop, and remove key. Engage parking brake.
2. Lift deck and secure in raised position as stated in the **Clean Grass Build-Up Under Deck** section.
3. Inspect blades and sharpen or replace as required.
4. Reinstall the blades (if they were removed) in the following order:
  - A. Install bushing through blade with bushing flange on bottom (grass) side of blade.

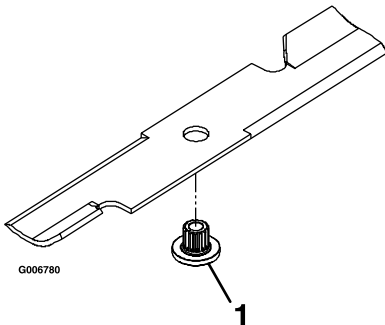


Figure 19

1. Install bushing in blade prior to installing bushing in spindle.

- B. Install bushing/blade assembly into spindle. Make sure the splines on the bushing are engaged in the spindle before tightening the bolt.

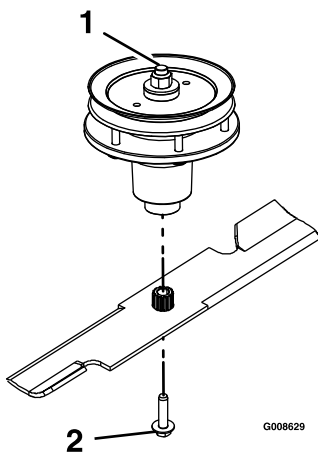


Figure 20

1. Use wrench here for blade installation. This nut has been torqued to 140–145 ft-lb (190–197 N-m)
2. Torque to 55-60 ft-lb (75-81 N-m) Apply lubricant to threads as needed to prevent seizing. Copper-based anti-seize preferable. Grease acceptable substitute.

- C. Apply lubricant to threads of blade bolt to prevent seizing. Copper-based anti-seize preferable. Grease acceptable substitute. Install blade bolt finger tight. Place wrench on the top spindle nut then torque the blade bolts to 55-60 ft-lb (75-81 N-m).

## ⚠ WARNING

**Incorrect installation of the blade or components used to retain the blade can be dangerous. Failure to use all original components and assembled as shown could allow a blade or blade component to be thrown out from under the deck resulting in serious personal injury or death.**

**Always install the original Exmark blades, blade bushings, and blade bolts as shown.**

## Check Safety Interlock System

### Service Interval: Before each use or daily

**Note:** To prevent engine cut-outs on rough terrain the seat kill switch has a 1/2 second delay.

1. Check starting circuit. Starter **should** crank with, parking brake **engaged**, PTO **disengaged** and motion control levers moved out in the **neutral lock** position. The operator does not need to be in the seat to start the engine.

Try to start with **operator in seat**, parking brake disengaged, PTO disengaged and motion control levers in the **neutral lock** position - starter **must not crank**.

Try to start with **operator in seat**, parking brake engaged, PTO **engaged** and motion control levers in the **neutral lock** position - starter **must not crank**.

Try to start with **operator in seat**, parking brake engaged, PTO **disengaged**, and the **left motion control lever in**, starter **must not crank**, repeat again with the **right lever in**, then with **both levers in** - starter **must not crank**.

2. Check the kill circuits. Run engine at one-third throttle, **disengage** parking brake and **raise off** of seat (but do not get off of machine) engine **must initiate shutdown** after approximately 1/2

second has elapsed (seat has time delay kill switch to prevent cut-outs on rough terrain).

Run engine at one-third throttle, **engage PTO** and **raise off** of seat (but do not get off of machine) engine **must initiate shutdown** after one second has elapsed if the handles are in. The delay will be 1/2 second if the handles are out.

Run engine at one-third throttle, with brake disengaged, move levers in and raise off seat (but do not get off of machine) engine **must initiate shutdown** after 1/2 second has elapsed.

Again, run engine at one-third throttle, brake **engaged**, and move **left motion control lever in** - engine **must initiate shutdown** after 1/2 second has elapsed.

Repeat again moving the **right lever in**, then moving **both levers in** - engine **must initiate shutdown** after 1/2 second has elapsed whether operator is **on seat or not**.

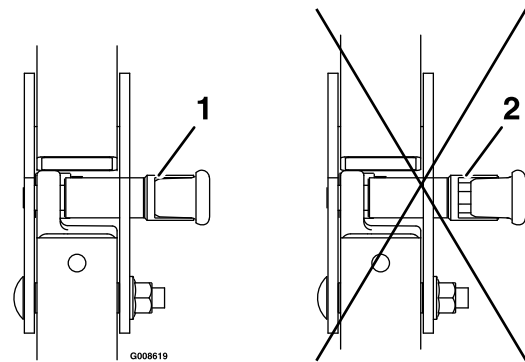
**Note:** If machine does not pass any of these tests, do not operate. Contact your authorized **EXMARK SERVICE DEALER**.

**Important:** It is essential that operator safety mechanisms be connected and in proper operating condition prior to use for mowing.

## Check Rollover Protections Systems (Roll Bar) Knobs

**Service Interval: Before each use or daily**

Check that both the mounting hardware and the knobs are in good working condition. Make sure the knobs are fully engaged with the ROPS in the raised position. The upper hoop of the roll bar may need to be pushed forward or pulled rearward to get both knobs fully engaged.



**Figure 21**

1. Engaged

2. Partially engaged — Do Not operate with ROPS in this condition.

## Check Seat Belt

**Service Interval: Before each use or daily**

Visually inspect seat belt for wear, cuts, and proper operation of retractor and buckle. Replace before operating if damaged.

## Check for Loose Hardware

**Service Interval: Before each use or daily**

1. Stop engine, wait for all moving parts to stop, and remove key. Engage parking brake.
2. Visually inspect machine for any loose hardware or any other possible problem. Tighten hardware or correct the problem before operating.

## Service Air Cleaner

**Service Interval: Every 200 hours—Service the air cleaner. (May need more often under severe conditions. See the Engine Owner's Manual for additional information.)**

1. Stop engine, wait for all moving parts to stop, and remove key. Engage parking brake.
2. Loosen retaining clips and remove air cleaner compartment cover.
3. Remove paper element. Check the condition of the paper element. Replace if dirty, bent or damaged.

# Maintenance

4. Check the condition of the inner element. Replace whenever it appears dirty, typically every other time the paper element is replaced. Clean the base around the inner element before removing, so dirt does not get into the engine.
5. **Do Not** wash or use pressurized air to clean paper element or inner element.
6. Reinstall elements. Position the cover so that the rubber dust ejector is pointing downward and secure with retaining clips.
3. Slide the seat all the way back, then lift the seat to access the caps on the LH and RH hydro drives.
4. Clean the area around hydraulic reservoir cap and remove cap.
5. Wipe the dipstick clean and re-insert the cap back into the hydro. Lightly tighten the cap.
6. Remove the cap again and check the level of the oil on the dipstick. See Figure 22 for oil levels.

## Change Engine Oil

**Service Interval: After the first 5 hours**

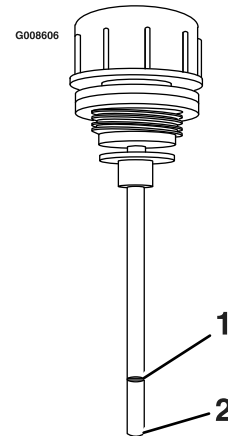
**Every 100 hours/Yearly  
(whichever comes first)  
(May need more often  
under severe conditions.)**

1. Stop engine, wait for all moving parts to stop, and remove key. Engage parking brake.
2. Drain oil while engine is warm from operation.
3. The oil drain hose is located on right hand side of engine at the rear. Place pan under machine to catch oil. Remove plug from end of drain hose. Allow oil to drain and replace oil drain plug. Torque plug to 20-24 ft-lb.
4. Replace the oil filter every other oil change. Clean around oil filter and unscrew filter to remove. Before reinstalling new filter, apply a thin coating of oil on the surface of the rubber seal. Turn filter clockwise until rubber seal contacts the filter adapter then tighten filter an additional 1/2 to 3/4 turn.
5. Clean around oil fill cap and remove cap. Fill to specified capacity and replace cap.
6. Use oil recommended in engine owner's manual. **Do Not** overfill. Start the engine and check for leaks.
7. Wipe up any spilled oil from engine deck mounting surfaces.

## Check Hydraulic Oil Level

**Service Interval: Every 50 hours**

1. Stop engine and wait for all moving parts to stop. Engage parking brake.
2. Wait until the unit cools before checking the hydraulic oil.



**Figure 22**

1. Full
2. Add

**Note:** The oil level on the dipstick will be incorrect if the oil is checked when the unit is hot.

7. If the dipstick oil level is at the “add” mark add Exmark Premium Hydro oil.
8. Replace hydraulic reservoir cap and tighten until snug. **Do Not overtighten.**

## Check Tire Pressures

**Service Interval: Every 50 hours**

1. Stop engine, wait for all moving parts to stop, and remove key. Engage parking brake.
2. Check tire pressure in drive tires.
3. Inflate drive tires to 13 psi (90 kPa).
4. Semi-pneumatic caster tires Do Not need to be inflated.

**Note:** Do Not add any type of tire liner or foam fill material to the tires. Excessive loads created by foam filled tires may cause failures to the hydro drive system, frame, and other components. Foam filling tires will void the warranty.



## Check Condition Of Belts

### Service Interval: Every 50 hours

1. Stop engine, wait for all moving parts to stop, and remove key. Engage parking brake.
2. Remove left and right belt shields on deck and lift up floor pan to inspect deck drive belt.
3. Check under machine to inspect the pump drive belt.

**Note:** No adjustments are required for belt tension.

## Lubricate Grease Fittings

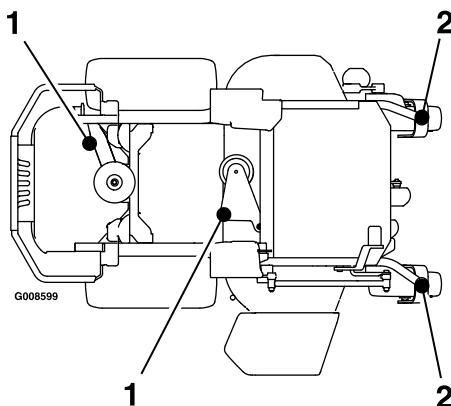
**Note:** See chart for service intervals.

1. Stop engine, wait for all moving parts to stop, and remove key. Engage parking brake.
2. Lubricate fittings with one to two pumps of NGLI grade #2 multi-purpose gun grease.

Refer to the following chart for fitting locations and lubrication schedule.

| Lubrication Chart             |               |                  |                  |
|-------------------------------|---------------|------------------|------------------|
| Fitting Locations             | Initial Pumps | Number of Places | Service Interval |
| 1. Deck and Pump Idler Pivots | 1             | 2                | Yearly           |
| 2. Front Caster Pivots        | *0            | 2                | *Yearly          |

\* See step 3 for special lubrication instructions on the front caster pivots.



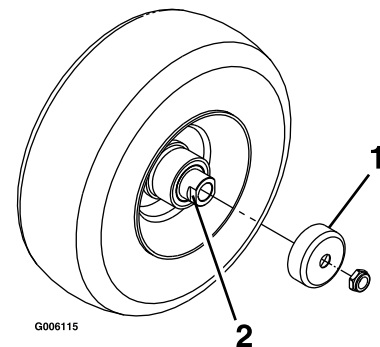
3. Lubricate front caster pivots once a year. Remove hex plug and cap. Thread grease zerk in hole and

pump with grease until it oozes out around top bearing. Remove grease zerk and thread plug back in. Place cap back on.

## Lubricate Caster Wheel Hubs

### Service Interval: As required

1. Stop engine, wait for all moving parts to stop, and remove key. Engage parking brake.



**Figure 23**

1. Seal guard
2. Spacer nut with wrench flats

2. Remove caster wheel from caster forks.
  3. Remove seal guards from the wheel hub.
  4. Remove one of the spacer nuts from the axle assembly in the caster wheel. Note that thread locking adhesive has been applied to lock the spacer nuts to the axle. Remove the axle (with the other spacer nut still assembled to it) from the wheel assembly.
  5. Pry out seals, and inspect bearings for wear or damage and replace if necessary.
  6. Pack the bearings with a NGLI grade #1 multi-purpose grease.
  7. Insert one bearing, one new seal into the wheel.
- Note:** Seals (Exmark P/N 103-0063) must be replaced.
8. If the axle assembly has had both spacer nuts removed (or broken loose), apply a thread locking adhesive to one spacer nut and thread onto the axle with the wrench flats facing outward. Do Not thread spacer nut all of the way onto the end of the axle. Leave approximately 1/8 inch (3 mm) from the outer surface of the spacer nut to the end of the axle inside the nut.

# Maintenance

9. Insert the assembled nut and axle into the wheel on the side of the wheel with the new seal and bearing.
10. With the open end of the wheel facing up, fill the area inside the wheel around the axle full of NGLI grade #1 multi-purpose grease.
11. Insert the second bearing and new seal into the wheel.
12. Apply a thread locking adhesive to the 2nd spacer nut and thread onto the axle with the wrench flats facing outward.
13. Torque the nut to 75-80 in-lb (8-9 N-m), loosen, then re-torque to 20-25 in-lb (2-3 N-m). Make sure axle does not extend beyond either nut.
14. Reinstall the seal guards over the wheel hub and insert wheel into caster fork. Reinstall caster bolt and tighten nut fully.

**Important:** To prevent seal and bearing damage, check the bearing adjustment often. Spin the caster tire. The tire should not spin freely (more than 1 or 2 revolutions) or have any side play. If the wheel spins freely, adjust torque on spacer nut until there is a slight amount of drag. Reapply thread locking adhesive.

## Lubricate Brake Handle Pivot

**Service Interval: Every 200 hours**

1. Stop engine, wait for all moving parts to stop, and remove key. Engage parking brake.
2. Lubricate brake handle pivot with a spray type lubricant or light oil.

## Lubricate Deck Lift Pivot

**Service Interval: Every 100 hours**

1. Stop engine, wait for all moving parts to stop, and remove key. Engage parking brake.
2. Lubricate deck lift pivot with a spray type lubricant or light oil.

## Check Spark Plugs

**Service Interval: Every 200 hours**

Remove spark plugs, check condition and reset gaps, or replace with new plugs. See Engine Owner's Manual.

## Change Fuel Filter

**Service Interval: As required**

A fuel filter is installed between the fuel tank and the engine. Replace when necessary.

| Replacement Filters |                         |
|---------------------|-------------------------|
| Kohler              | Kohler P/N 24 050 13    |
| Kawasaki            | Kawasaki P/N 49019-7001 |

**Note:** It is important to reinstall the fuel line hoses and secure with plastic ties the same as they were originally installed at the factory to keep the fuel line away from components that could cause fuel line damage.

## Change Hydraulic System Filter and Fluid

**Service Interval: Every 500 hours**

**Note:** Only use Exmark Hydro Filter-Part No. 116-0164 for summer or winter.

1. Stop engine, wait for all moving parts to stop, and remove key. Engage parking brake.
2. Raise the rear of machine up and support with jack stands (or equivalent support) just high enough to allow drive wheels to turn freely.

### CAUTION

**Raising the mower deck for service or maintenance relying solely on mechanical or hydraulic jacks could be dangerous. The mechanical or hydraulic jacks may not be enough support or may malfunction allowing the unit to fall, which could cause injury.**

**Do Not rely solely on mechanical or hydraulic jacks for support. Use adequate jack stands or equivalent support.**

3. Remove the pump drive belt.
4. Place a catch pan under the hydro.
5. Carefully clean area around the filters. It is important that no dirt or contamination enter the hydraulic system.
6. Using a socket, unscrew filters to remove and allow oil to drain.

7. Before installing the new filters, apply a thin coat of Exmark Premium Hydro oil on the surface of the two rubber seals.
8. Install the new filters and torque to 14 ft-lb (19 N-m).
9. Fill the hydraulic system as stated in **Check Hydraulic Oil Level** section.

Exmark Premium Hydro Oil is recommended. Refer to the chart for an acceptable alternative:

| Hydro Oil                            | Change Interval |
|--------------------------------------|-----------------|
| Exmark Premium Hydro Oil (Preferred) | 500 Hours       |
| Mobil 1 15W50                        | 250 Hours       |

10. Remove the catch pan and properly dispose of hydro oil and filter according to local codes.
11. Re-install the pump drive belt.
12. Start engine and move throttle control ahead to full throttle position. Move the speed control levers to the full speed and run for one minute. Shut down the machine, allow the hydros to cool and recheck oil level.
13. Remove the jack stands.

**Note:** Do Not change the hydraulic system oil (except for what can be drained when changing filter), unless it is felt the oil has been contaminated or been extremely hot.

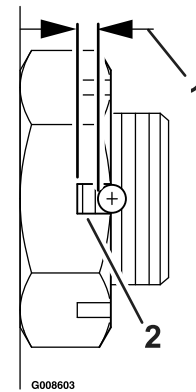
Changing oil unnecessarily could damage hydraulic system by introducing contaminants into the system.

## Wheel Hub - Slotted Nut Torque Specification

**Service Interval: After the first 100 hours  
Every 500 hours thereafter**

When tightening the slotted nut on the wheel motor tapered shaft:

1. Remove and discard the cotter pin.
2. Torque the slotted nut to 200 ft-lb (271 N-m).
3. Check distance from bottom of slot in nut to inside edge of hole. Two threads (0.1 inch) or less should be showing.



**Figure 24**

1. 0.1 inch max
2. No more than two threads (0.1 inch max) should be showing here.

4. If more than two threads (0.1 inch) are showing remove nut and install washer (P/N 1-523157) between hub and nut.
5. Torque the slotted nut to 200 ft-lb (271 N-m).
6. Then tighten nut until the next set of slots line up with the cross hole in shaft. Do Not loosen nut to align the slot. If required, tighten to the next set of slots.
7. Install new cotter pin (P/N 1-806800).

**Note:** Do Not use anti-seize on wheel hub.

## Check Spark Arrester (if equipped)

**Service Interval: Every 50 hours**

### **⚠ WARNING**

Hot exhaust system components may ignite gasoline vapors even after the engine is stopped. Hot particles exhausted during engine operation may ignite flammable materials. Fire may result in personal injury or property damage.

**Do Not refuel or run engine unless spark arrester is installed.**

1. Stop engine, wait for all moving parts to stop, and remove key. Engage parking brake.
2. Wait for muffler to cool.

## Maintenance

---

3. If any breaks in the screen or welds are observed, replace arrester.
4. If plugging of the screen is observed, remove arrester and shake loose particles out of the arrester and clean screen with a wire brush (soak in solvent if necessary). Reinstall arrester on exhaust outlet.

## Thread Locking Adhesives

Thread locking adhesives such as “Loctite 242” or “Fel-Pro, Pro-Lock Nut Type” are used on the following fasteners:

- ROPS spring pin housing.
- Hydro pump control arm, linkage bolt, and attachment bolt.
- Hydro cooling fan screw.
- Hydro park brake cable anchor mounting bolt
- Sheave and clutch retaining bolt in the end of engine crankshaft.

Thread locking adhesives are required for some hardware on engines — see the Engine manual.

## Copper-Based Anti-seize

Copper-based anti-seize is used in the following location:

On threads of Blade Bolts. See **Check Mower Blades** section.

## Dielectric Grease

Dielectric grease is used on all blade type electrical connections to prevent corrosion and loss of contact.

## Adjustments

**Note:** Disengage PTO, shut off engine, wait for all moving parts to stop, engage parking brake, and remove key before servicing, cleaning, or making any adjustments to the unit.

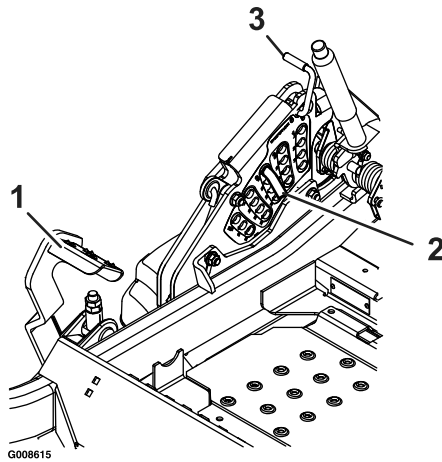
### CAUTION

**Raising the mower deck for service or maintenance relying solely on mechanical or hydraulic jacks could be dangerous. The mechanical or hydraulic jacks may not be enough support or may malfunction allowing the unit to fall, which could cause injury.**

**Do Not rely solely on mechanical or hydraulic jacks for support. Use adequate jack stands or equivalent support.**

## Deck Leveling

1. Position the mower on a flat surface.
2. Stop engine, wait for all moving parts to stop, and remove key. Engage parking brake.
3. Check the tire pressure in the drive tires. Proper inflation pressure for tires is 13 psi (90 kPa). Adjust if necessary.
4. Position the transport lock in the latching position.
5. Push the foot pedal all the way forward and the deck will latch at the 5 1/2 inch (14 cm) transport position (Figure 25).

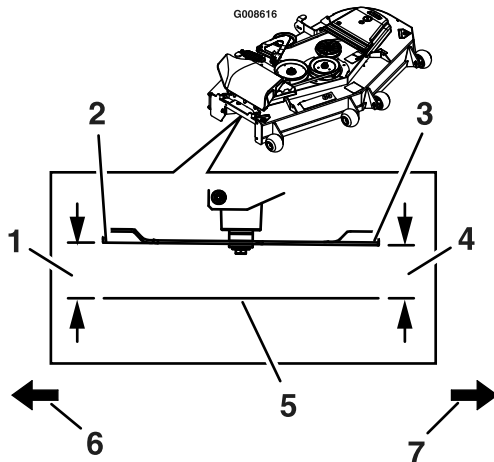


**Figure 25**

- 1. Foot lever
- 2. Cut of height pin
- 3. Transport lock

6. Insert the height adjustment pin into the 3 inch (7.6 cm) cutting height location.
7. Release the transport lock and allow the deck to lower to the cutting height.
8. Raise the discharge deflector.
9. On both sides of the deck, measure from the level surface to the front tip of the blade. The measurement should read 3 inches (7.6 mm).

**Note:** In most conditions, the back blade tip should be adjusted 1/4 inch (6.4 mm) higher than the front.

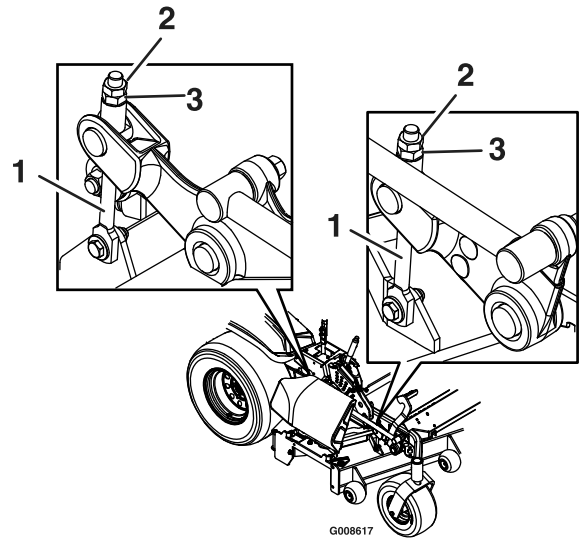


**Figure 26**

- 1. 3 1/4 inches (8.3 cm)
- 2. Back blade tip
- 3. Front blade tip
- 4. 3 inches (7.6 cm)
- 5. Level surface
- 6. Rear of machine
- 7. Front of machine

10. Loosen the jam nuts on the top of each deck link. Fine tune the adjuster on the front deck lift assembly by turning it to get 3 inch (7.6 mm) height (see Figure 27).

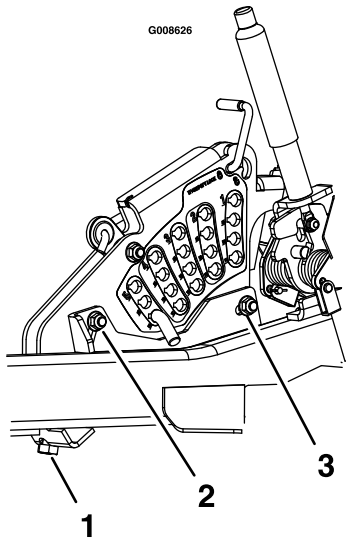
To increase the height, turn the adjuster clockwise; to decrease, turn counterclockwise.



**Figure 27**

- 1. Adjuster link
- 2. Jam nut
- 3. Adjuster

11. The back tip of the blade should measure 3 1/4 inches (8.3 cm). Fine tune rear adjusters as required.
12. Re-measure until all four sides are the correct height. Tighten all the jam nuts on the deck lift arm assemblies.
13. Lower discharge deflector.
14. If the four deck links do not have enough adjustment to achieve accurate cut height with the desired rake, the single point adjustment can be utilized to gain more adjustment (see Figure 28).



**Figure 28**

1. Single point height adjustment bolt
2. Front height-of-cut plate mounting bolt
3. Rear height-of-cut plate mounting bolt

15. To adjust the single point system, first loosen the front and rear height-of-cut plate mounting bolts.
  16. If the deck is too low, tighten the single point adjustment bolt by rotating it clockwise. If the deck is too high, loosen the single point adjustment bolt by rotating it counterclockwise.
- Note:** Loosen or tighten the single point adjustment bolt enough to move the height-of-cut plate mounting bolts at least 1/3 the length of the available travel in their slots. This will regain some up and down adjustment on each of the four deck links.
17. Re-tighten front and rear height-of-cut plate mounting bolts.

**Important:** Torque the front and rear height-of-cut plate mounting bolts to 27-33 ft-lb (37-45 N-m).

18. Repeat steps 9 through 13.

## Deck Removal

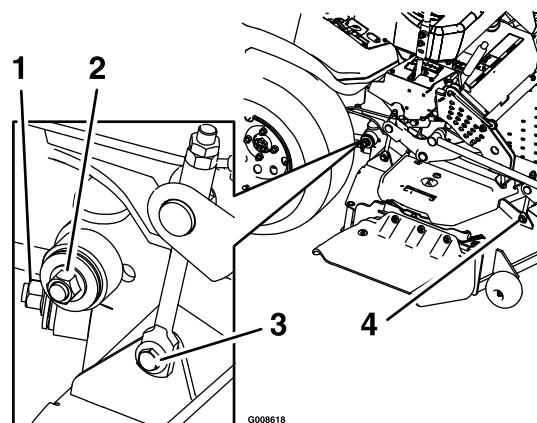
Before servicing or removing the deck, the spring loaded deck arms must be locked out.

### ⚠ WARNING

Deck lift arm assemblies have stored energy. Removing the deck with out releasing the stored energy can cause serious injury or death.

Do Not attempt to disassemble the deck from the front frame without locking out the stored energy.

1. Stop engine, wait for all moving parts to stop, and remove key. Engage parking brake.
2. Remove the height adjustment pin and lower the deck to the ground.
3. Place the height adjustment pin in the 3 inch (7.6 cm) cutting height location. This locks the deck lift arms in the lowest position when the deck is removed.
4. Remove the floorpan and belt shields.
5. Insert 1/2 inch socket driver into the square hole on the idler bracket and carefully rotate the deck idler counterclockwise to remove the belt.
6. Remove and retain the hardware on both sides of the deck as shown in Figure 29.



**Figure 29**

1. Panhard rod (right side only)
2. Deck strut
3. Rear deck lift attachment shoulder bolt and nut.
4. Front deck lift attachment shoulder bolt and nut.

7. Raise the front of the machine and slide the deck left or right to remove.
8. Lower the front of the machine.

## Pump Drive Belt Tension

Self-tensioning - No adjustment necessary.

## Deck Belt Tension

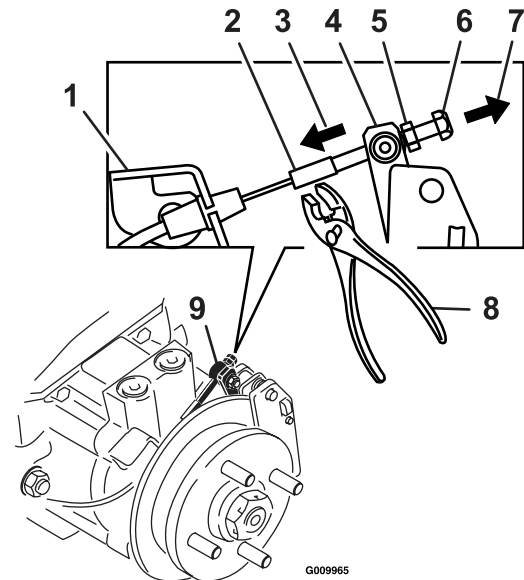
Self-tensioning - No adjustment necessary.

## Adjusting the Parking Brake

**Service Interval: After the first 100 hours  
Every 500 hours thereafter**

Check to make sure brake is adjusted properly.

1. Drive the machine onto a level surface.
2. Disengage the blade control switch (PTO), move the motion control levers to the neutral locked position and set the parking brake.
3. Stop the engine, wait for all moving parts to stop, and remove the key.
4. Raise the back of the machine up and support the machine with jack stands.
5. Remove the rear tires from the machine.
6. Remove any debris from the brake area.
7. Rotate the drive wheel release handle to the “released” position. Refer to the **Drive Wheel Release Valves** section in Operation.
8. Disengage the park brake.
9. Using hands and fingers only, push the caliper lever arm to engage the brake pads on the rotor until the lever stops. While holding the lever at the stopped position, use the other hand or fingers to pull the cable threaded end tight through the swivel. Spin the standard nut against the swivel (see Figure 30).



**Figure 30**  
Left Hand Brake Shown

- |  |   |
|--|---|
| 1. Cable anchor                        | 6. Lock nut                               |
| 2. Threaded rod                        | 7. Pull cable threaded rod this direction |
| 3. Push lever this direction           | 8. Hold threaded rod here                 |
| 4. Caliper lever arm                   | 9. Swivel (pivot head)                    |
| 5. Standard nut (shown against swivel) |   |

Note the order of the standard nut and lock nut (no nut on the cable anchor side of the swivel).

10. Release hold on the caliper lever and cable. The wheel hub should turn by hand in both directions relative to the caliper; some friction/resistance is acceptable.
11. If there is no movement between the hub rotor and the caliper then back off the standard nut one turn from the swivel and repeat step 10 (drive release valves must be in the “released” position on the hydros).
12. If the hub rotor moves very freely relative to the caliper, then tighten the standard nut one turn against the swivel and repeat step 10.
13. Once step 10 is achieved, hold the threaded rod end with a tool and tighten the lock nut against the standard nut. Do Not allow the cable to turn when the nuts are tightened.
14. Rotate the drive wheel release handle to the “operating” position. Refer to the **Drive Wheel Release Valves** section in Operation.
15. Repeat on the opposite side of machine.

## Maintenance

16. Install the rear tires and torque lug nuts to 90-95 ft-lb (122-129 N-m).
17. Remove jack stands.

## Electric Clutch Adjustment

No adjustment necessary.

## Motion Control Linkage Adjustment

Located on either side of the fuel tank, below the seat are the pump control linkages. Rotating the pump linkage with a 1/2 inch wrench allows fine tuning adjustments so that the machine does not move in neutral. Any adjustments should be made for neutral positioning only.

### ⚠ WARNING

Engine must be running and drive wheels must be turning so motion control adjustment can be performed. Contact with moving parts or hot surfaces may cause personal injury.

Keep fingers, hands, and clothing clear of rotating components and hot surfaces.

1. Prior to starting the engine, push the deck lift pedal and remove the height of cut pin. Lower deck to the ground.
2. Raise the rear of machine up and support with jack stands (or equivalent support) just high enough to allow drive wheels to turn freely.
3. Remove the electrical connection from the seat safety switch, located under the bottom cushion of the seat. The switch is a part of the seat assembly.
4. **Temporarily** install a jumper wire across the terminals in the connector of the main wiring harness.
5. Start engine. **Brake must be engaged and motion control levers out to start engine. Operator does not have to be in the seat because of the jumper wire being used.** Run engine at full throttle and release brake.
6. Run the unit at least 5 minutes with the drive levers at full forward speed to bring hydraulic oil up to operating temperature.

**Note:** The motion control lever needs to be in neutral while making any necessary adjustments.

7. Bring the motion control levers into the neutral position. Adjust pump control rod lengths by rotating the double nuts on the rod in the appropriate direction until the wheels slightly creep in reverse (Figure 31). Move the motion control levers to the reverse position and while applying slight pressure to the lever allow the reverse indicator springs to bring the levers back to neutral. The wheels must stop turning or slightly creep in reverse.

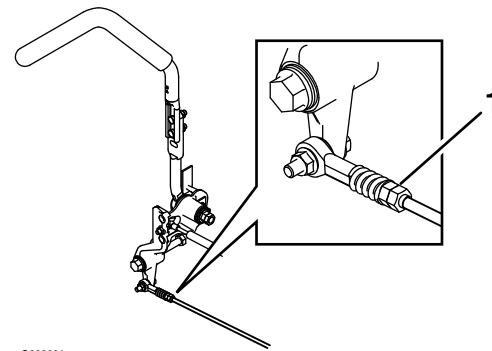


Figure 31

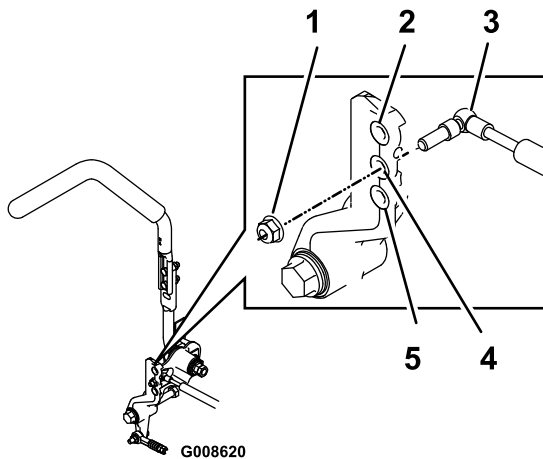
1. Double nuts

8. Shut off unit. Remove jumper wire from wire harness and plug connector into seat switch.
9. Remove the jack stands.
10. Raise the deck and re-install the height of cut pin.
11. Check that the machine does not creep in neutral with the park brakes disengaged.

## Motion Control Damper Adjustment

The top damper mounting bolt can be adjusted to obtain a more desired motion control lever resistance. See Figure 32 for mounting options.





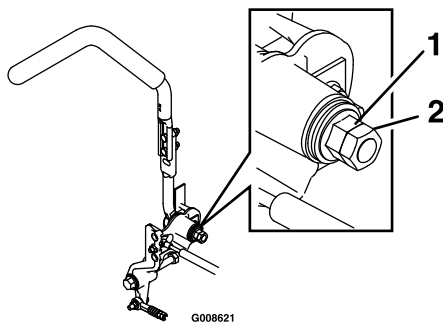
**Figure 32**

RH Motion Control Shown

1. Torque nyloc nut to 200 in-lb (16.7 ft-lb). Bolt must protrude past end of nyloc nut after torque. A T-40 Torx bit will be necessary to hold the stud from turning.
2. Most resistance (firmest feel)
3. Damper
4. Medium resistance (medium feel)
5. Least resistance (softest feel)

## Motion Control Neutral Lock Pivot Adjustment

The flanged nut can be adjusted to obtain a more desired motion control lever resistance (Figure 33).



**Figure 33**

1. Flanged nut
2. Jam nut

1. Loosen the jam nut.
2. Tighten or loosen the flanged nut to the desired feel.

For more resistance, tighten the flanged nut.

For less resistance, loosen the flanged nut

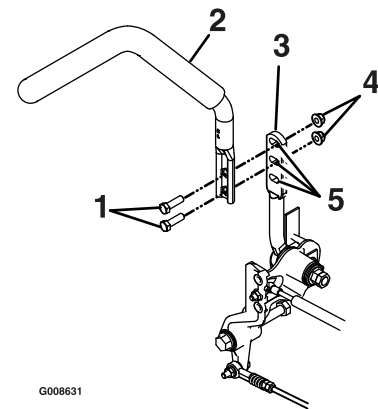
3. Tighten jam nut.

## Motion Control Handle Adjustment

**Adjusting the height:**

The motion control levers can be adjusted higher or lower for maximum operator comfort.

1. Remove the two bolts holding the control lever to the control arm shaft (Figure 34).



**Figure 34**

- |                      |                  |
|----------------------|------------------|
| 1. Bolts             | 4. Nuts          |
| 2. Control lever     | 5. Slotted holes |
| 3. Control arm shaft |                  |

2. Move the control lever to the next set of holes. Secure the lever with the two bolts.
3. Repeat the adjustment for the opposite control lever.

**Adjusting the Tilt**

The motion control levers can be tilted fore or aft for maximum operator comfort.

1. Loosen the upper bolt holding the control lever to the control arm shaft.
2. Loosen the lower bolt just enough to pivot the control lever fore or aft Figure 34. Tighten both bolts to secure the control in the new position.
3. Repeat the adjustment for the opposite control lever.

## Motion Control Full Forward Tracking Adjustment

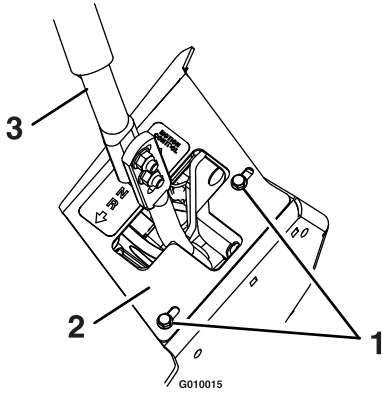
If the machine travels or pulls to one side when the motion control levers are in the full forward position, adjust the cover plates.

1. Loosen the screws on a cover plate (see Figure 35).

# Maintenance

---

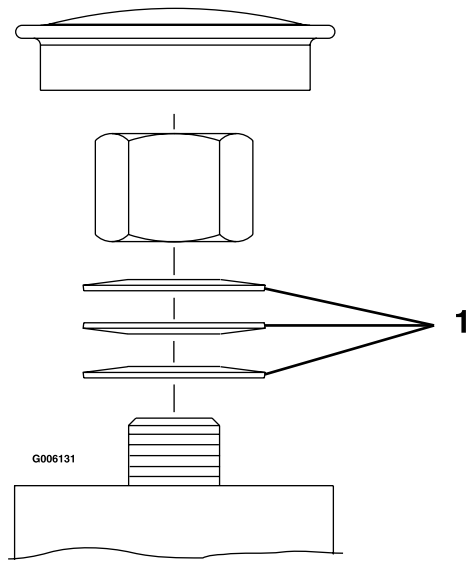
2. Slide the cover plate backward or forward to adjust the travel of the lever and tighten the screws.
3. Drive the machine and check the full forward tracking.
4. Repeat steps 1 through 3 until desired tracking is obtained.



**Figure 35**

RH Motion Control Shown

1. Screw
2. Cover plate
3. Motion control lever



**Figure 36**

1. Spring disc washers
- 

## Caster Pivot Bearings Pre-Load Adjustment

Remove dust cap from caster and tighten nyloc nut until washers are flat and back off 1/4 of a turn to properly set the pre-load on the bearings. If disassembled, make sure the spring disc washers are reinstalled as shown in Figure 36.

## Cleaning

### Clean Engine and Exhaust System Area

**Service Interval: Before each use or daily (May be required more often in dry or dirty conditions.)**

#### **⚠ CAUTION**

Excessive debris around engine cooling air intake and exhaust system area can cause engine, exhaust area, and hydraulic system to overheat which can create a fire hazard.

Clean all debris from engine and exhaust system area.

1. Stop engine, wait for all moving parts to stop, and remove key. Engage parking brake.
2. Clean all debris from rotating engine air intake screen, around engine shrouding, and exhaust system area.
3. Wipe up any excessive grease or oil around the engine and exhaust system area

### Remove Engine Shrouds and Clean Cooling Fins

**Service Interval: Every 100 hours**

1. Stop engine, wait for all moving parts to stop, and remove key. Engage parking brake.
2. Remove cooling shroud clean-out covers (Kohler) or cooling shrouds (Kawasaki) from engine and clean cooling fins. Also clean dust, dirt and oil from external surfaces of engine which can cause inadequate cooling.
3. Make sure cooling shroud clean-out covers or cooling shrouds are reinstalled. Operating the engine without cooling shroud clean-out covers or cooling shrouds will cause engine damage due to overheating.

### Clean Hydro Fan Cooling Guards

**Service Interval: Before each use or daily**

Removing debris from the hydro fan cooling guards will allow the hydro system to run cooler and improve the life of the hydro system.

1. Stop engine, wait for all moving parts to stop, and remove key. Engage parking brake.
2. Slide seat all the way back, then lift the seat to access the LH and RH hydro drive area.
3. Remove accumulated debris from the hydro fan cooling guards.

### Clean Debris From Machine

**Service Interval: Before each use or daily**

1. Stop engine, wait for all moving parts to stop, and remove key. Engage parking brake.
2. Clean off any oil, debris, or grass build-up on the machine and cutting deck, especially under deck belt shields, around the fuel tank, around engine and exhaust area.

### Clean Grass Build-Up Under Deck

**Service Interval: Before each use or daily**

1. Stop engine, wait for all moving parts to stop, and remove key. Engage parking brake.
2. Raise deck to the transport (5 1/2 inch (14 cm) cutting height) position. Lift the front of unit and support unit using jack stands or equivalent support.

### **⚠ CAUTION**

Raising the mower deck for service or maintenance relying solely on mechanical or hydraulic jacks could be dangerous. The mechanical or hydraulic jacks may not be enough support or may malfunction allowing the unit to fall, which could cause injury.

**Do Not** rely solely on mechanical or hydraulic jacks for support. Use adequate jack stands or equivalent support.

3. Clean out any grass build-up from underside of deck and in discharge deflector.

## Waste Disposal

### Motor Oil Disposal

Engine oil and hydraulic oil are both pollutants to the environment. Dispose of used oil at a certified recycling center or according to your state and local regulations.

### Battery Disposal

### **⚠ DANGER**

**Battery electrolyte contains sulfuric acid, which is poisonous and can cause severe burns. Swallowing electrolyte can be fatal or if it touches skin can cause severe burns.**

- **Wear safety glasses to shield eyes, and rubber gloves to protect skin and clothing when handling electrolyte.**
- **Do Not swallow electrolyte.**

Federal law states that batteries should not be placed in the garbage. Management and disposal practices must be within relevant federal, state, or local laws.

If a battery is being replaced or if the unit containing the battery is no longer operating and is being scrapped, take the battery to a local certified recycling center. If no local recycling is available return the battery to any certified battery reseller.

## Troubleshooting

**Important:** It is essential that all operator safety mechanisms be connected and in proper operating condition prior to mower use.

When a problem occurs, do not overlook the simple causes. For example: starting problems could be caused by an empty fuel tank.

The following table lists some of the common causes of trouble. Do not attempt to service or replace major items or any items that call for special timing of adjustment procedures (such as valves, governor, etc.). Have this work done by your **Engine Service Dealer**.

**Note:** When disconnecting electrical connectors DO NOT pull on the wires to separate the connectors.

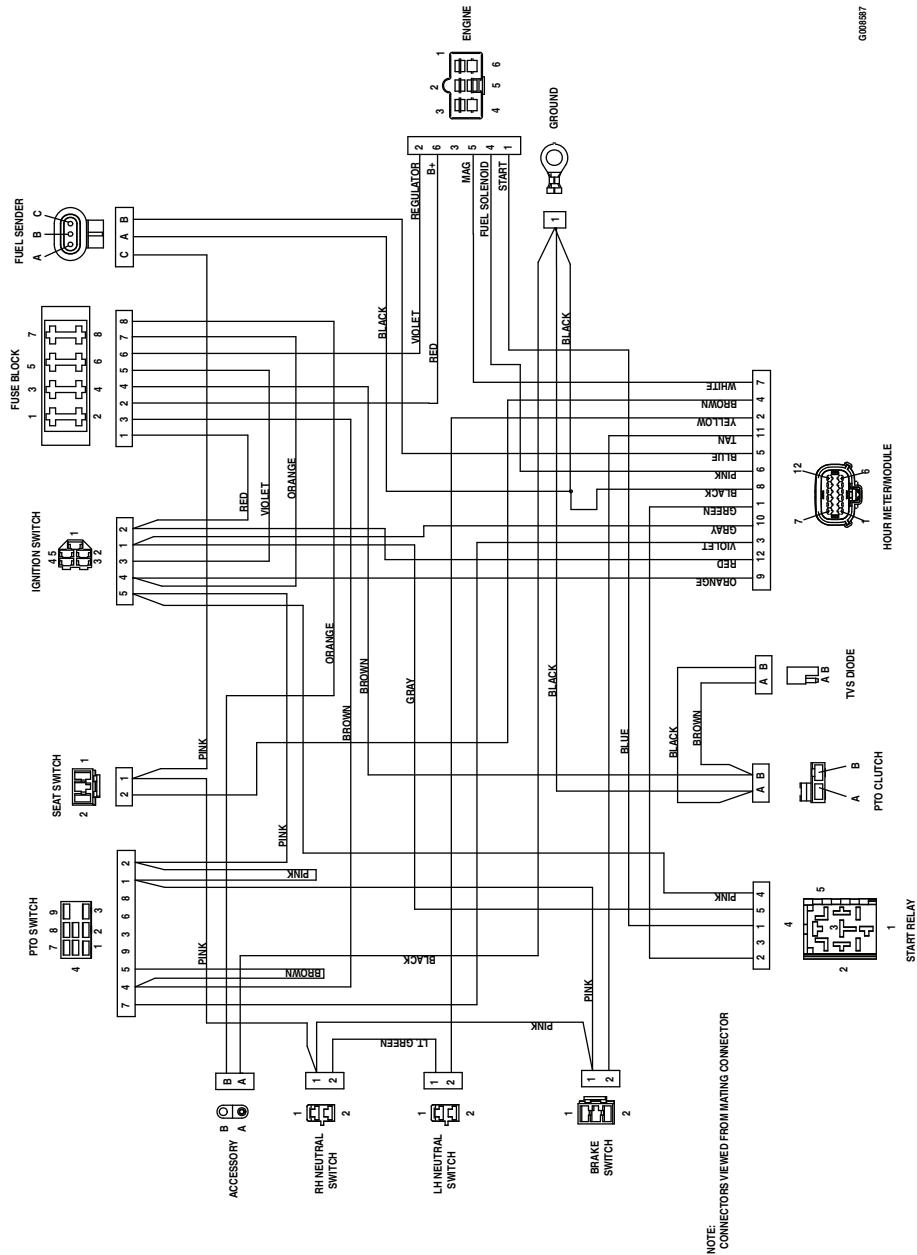
| Problem  | Possible Cause  | Corrective Action   |
|--|---|---|
| Starter does not crank                                       | <ol style="list-style-type: none"> <li>1. PTO is engaged.</li> <li>2. Parking brake is not engaged.</li> <li>3. Drive levers are not in neutral lock position.</li> <li>4. Battery does not have a full charge.</li> <li>5. Electrical connections are corroded, loose or faulty.</li> <li>6. Fuse is blown.</li> <li>7. Relay or switch is defective.</li> <li>8. Faulty module.</li> </ol>  | <ol style="list-style-type: none"> <li>1. Disengage the PTO.</li> <li>2. Set the parking brake.</li> <li>3. Ensure the drive levers are in the neutral lock position.</li> <li>4. Charge the battery.</li> <li>5. Check the electrical connections for good contact. Clean connector terminals thoroughly with electrical contact cleaner, apply dielectric grease and reconnect.</li> <li>6. Replace the blown fuse.</li> <li>7. Contact an Authorized Service Dealer.</li> <li>8. Replace module.</li> </ol>  |
| Engine will not start, starts hard, or fails to keep running | <ol style="list-style-type: none"> <li>1. Fuel tank is empty.</li> <li>2. Fuel shutoff valve is closed.</li> <li>3. Oil level in the crankcase is low.</li> <li>4. The throttle and choke are not in the correct position.</li> <li>5. Dirt in fuel filter.</li> <li>6. Dirt, water, or stale fuel is in the fuel system.</li> <li>7. Air cleaner is dirty.</li> <li>8. Seat switch is not functioning properly.</li> <li>9. Electrical connections are corroded, loose or faulty.</li> <li>10. Relay or switch is defective.</li> <li>11. Faulty spark plug.</li> <li>12. Spark plug wire is not connected.</li> <li>13. Faulty module.</li> </ol> | <ol style="list-style-type: none"> <li>1. Fill the fuel tank.</li> <li>2. Open the fuel shutoff valve.</li> <li>3. Add oil to the crankcase.</li> <li>4. Be sure the throttle control is midway between the "SLOW" and "FAST" positions, and the choke is in the "ON" position for a cold engine or the "OFF" position for a warm engine.</li> <li>5. Replace the fuel filter.</li> <li>6. Contact an Authorized Service Dealer.</li> <li>7. Clean or replace the air cleaner element.</li> <li>8. Check the seat switch indicator. Replace seat if needed.</li> <li>9. Check the electrical connections for good contact. Clean connector terminals thoroughly with electrical contact cleaner, apply dielectric grease and reconnect.</li> <li>10. Contact an Authorized Service Dealer.</li> <li>11. Clean, adjust or replace spark plug.</li> <li>12. Check the spark plug wire connection.</li> <li>13. Replace module.</li> </ol> |

# Troubleshooting

| Problem   | Possible Cause  | Corrective Action   |
|---|---|---|
| Engine loses power                                    | <ol style="list-style-type: none"> <li>1. Engine load is excessive</li> <li>2. Air cleaner is dirty.</li> <li>3. Oil level in the crankcase is low.</li> <li>4. Cooling fins and air passages for the engine are plugged.</li> <li>5. Dirt in fuel filter.</li> <li>6. Dirt, water, or stale fuel is in the fuel system.</li> </ol>   | <ol style="list-style-type: none"> <li>1. Reduce the ground speed.</li> <li>2. Clean or replace the air cleaner element.</li> <li>3. Add oil to the crankcase.</li> <li>4. Remove the obstructions from the cooling fins and air passages.</li> <li>5. Replace the fuel filter.</li> <li>6. Contact an Authorized Service Dealer.</li> </ol>  |
| Mower pulls left or right (with levers fully forward) | <ol style="list-style-type: none"> <li>1. Tire pressure in drive tires not correct.</li> </ol>  | <ol style="list-style-type: none"> <li>1. Adjust tire pressure in the drive tires.</li> </ol>   |
| Machine does not drive                                | <ol style="list-style-type: none"> <li>1. Drive release handle not in "operating" position.</li> <li>2. Drive or pump belt is worn, loose or broken.</li> <li>3. Drive or pump belt is off a pulley.</li> <li>4. Broken or missing idler spring.</li> <li>5. Hydraulic fluid level is low or too hot.</li> </ol>  | <ol style="list-style-type: none"> <li>1. Position handle in "operating" position; see <b>Drive Wheel Release Valves</b> section in Operation.</li> <li>2. Change the belt.</li> <li>3. Change the belt.</li> <li>4. Replace the spring.</li> <li>5. Add hydraulic fluid to reservoir or let it cool down.</li> </ol>   |
| Uneven cutting height.                                | <ol style="list-style-type: none"> <li>1. Blade(s) not sharp.</li> <li>2. Cutting blade(s) is/are bent.</li> <li>3. Mower deck is not level.</li> <li>4. Underside of mower is dirty.</li> <li>5. Tire pressure in drive tires not correct.</li> <li>6. Blade spindle bent.</li> <li>7. Tips of adjacent blades are at an uneven cutting height. Blades tips should be even within 3/16 inch which is approximately one blade thickness.</li> </ol> | <ol style="list-style-type: none"> <li>1. Sharpen the blade(s).</li> <li>2. Install new cutting blade(s).</li> <li>3. Level mower deck from side-to-side and front-to-rear.</li> <li>4. Clean the underside of the mower.</li> <li>5. Adjust tire pressure in the drive tires.</li> <li>6. Contact an Authorized Service Dealer.</li> <li>7. Replace blades, spindles and (or) check for damage to mower deck.</li> </ol> |
| Abnormal vibration                                    | <ol style="list-style-type: none"> <li>1. Cutting blade(s) is/are bent or unbalanced.</li> <li>2. Blade mounting bolt is loose.</li> <li>3. Engine mounting bolts are loose.</li> <li>4. Loose engine pulley, idler pulley, or blade pulley.</li> <li>5. Engine pulley is damaged.</li> <li>6. Blade spindle is bent.</li> </ol>  | <ol style="list-style-type: none"> <li>1. Install new cutting blade(s).</li> <li>2. Tighten the blade mounting bolt.</li> <li>3. Tighten the engine mounting bolts.</li> <li>4. Tighten the appropriate pulley.</li> <li>5. Contact an Authorized Service Dealer.</li> <li>6. Contact an Authorized Service Dealer.</li> </ol>  |
| Blades do not rotate.                                 | <ol style="list-style-type: none"> <li>1. Drive belt is worn, loose or broken.</li> <li>2. Deck belt is worn, loose or broken.</li> <li>3. Deck belt is off pulley.</li> <li>4. Broken or missing idler spring.</li> <li>5. Drive belt not routed correctly.</li> </ol>   | <ol style="list-style-type: none"> <li>1. Check the belt tension.</li> <li>2. Install new deck belt.</li> <li>3. Install belt on clutch and deck pulleys, idlers, and tensioning idler per routing decal on deck.</li> <li>4. Replace the spring.</li> <li>5. Refer to belt routing decal on deck.</li> </ol>   |

# Schematics

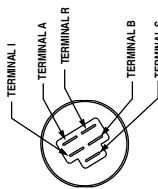
## Electrical Diagram



G09887

**IGNITION SWITCH**

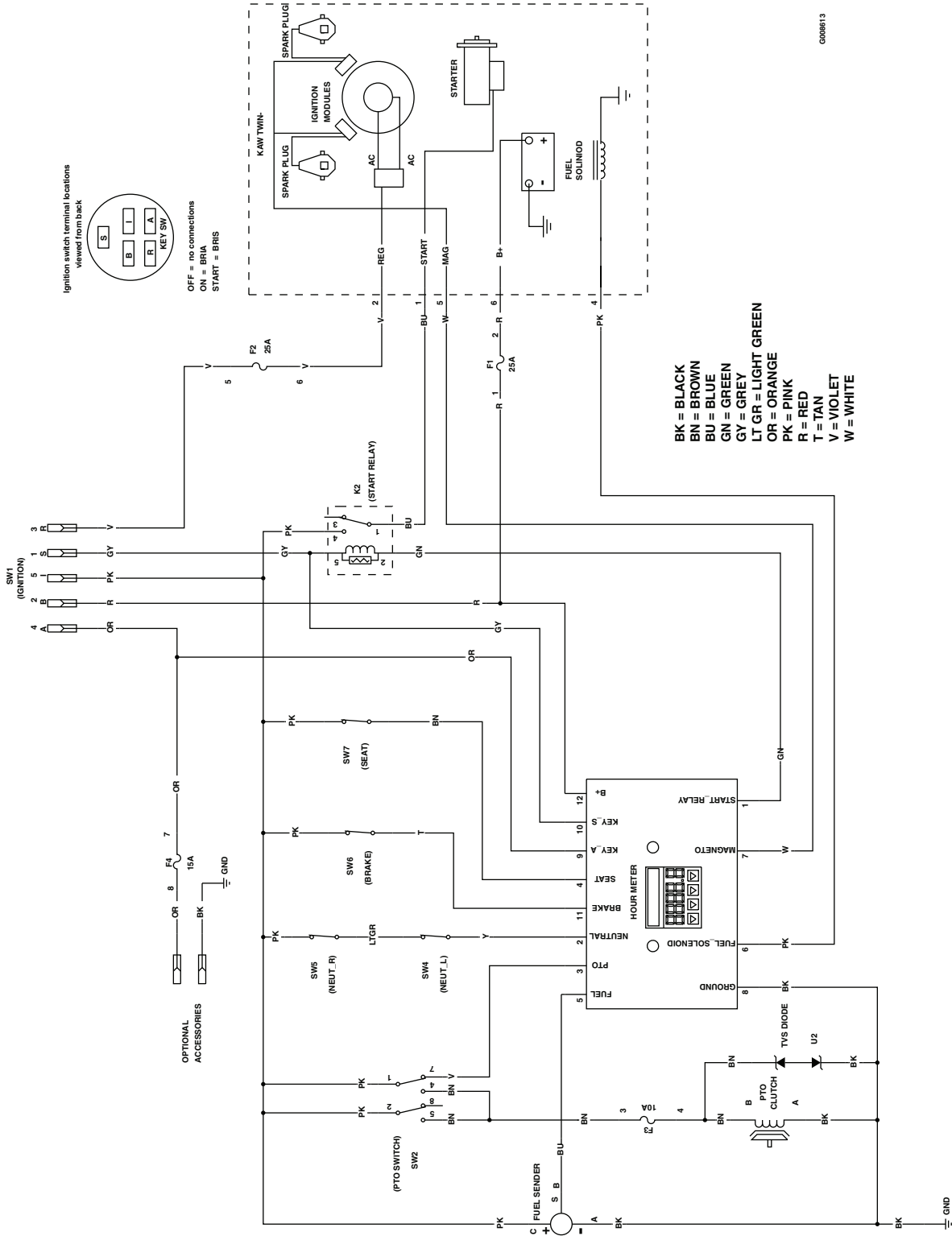
| TERMINAL   | CONNECTIONS |
|------------|-------------|
| TERMINAL A | ACCESSORY   |
| TERMINAL B | BATTERY     |
| TERMINAL I | IGNITION    |
| TERMINAL R | RECTIFIER   |
| TERMINAL S | START       |



| POSITION | CONNECTOR MAKE |
|----------|----------------|
| 1. OFF   | NONE           |
| 2. RUN   | B + R + I + A  |
| 3. START | B + R + I + S  |

NOTE: CONNECTORS VIEWED FROM MATING CONNECTOR

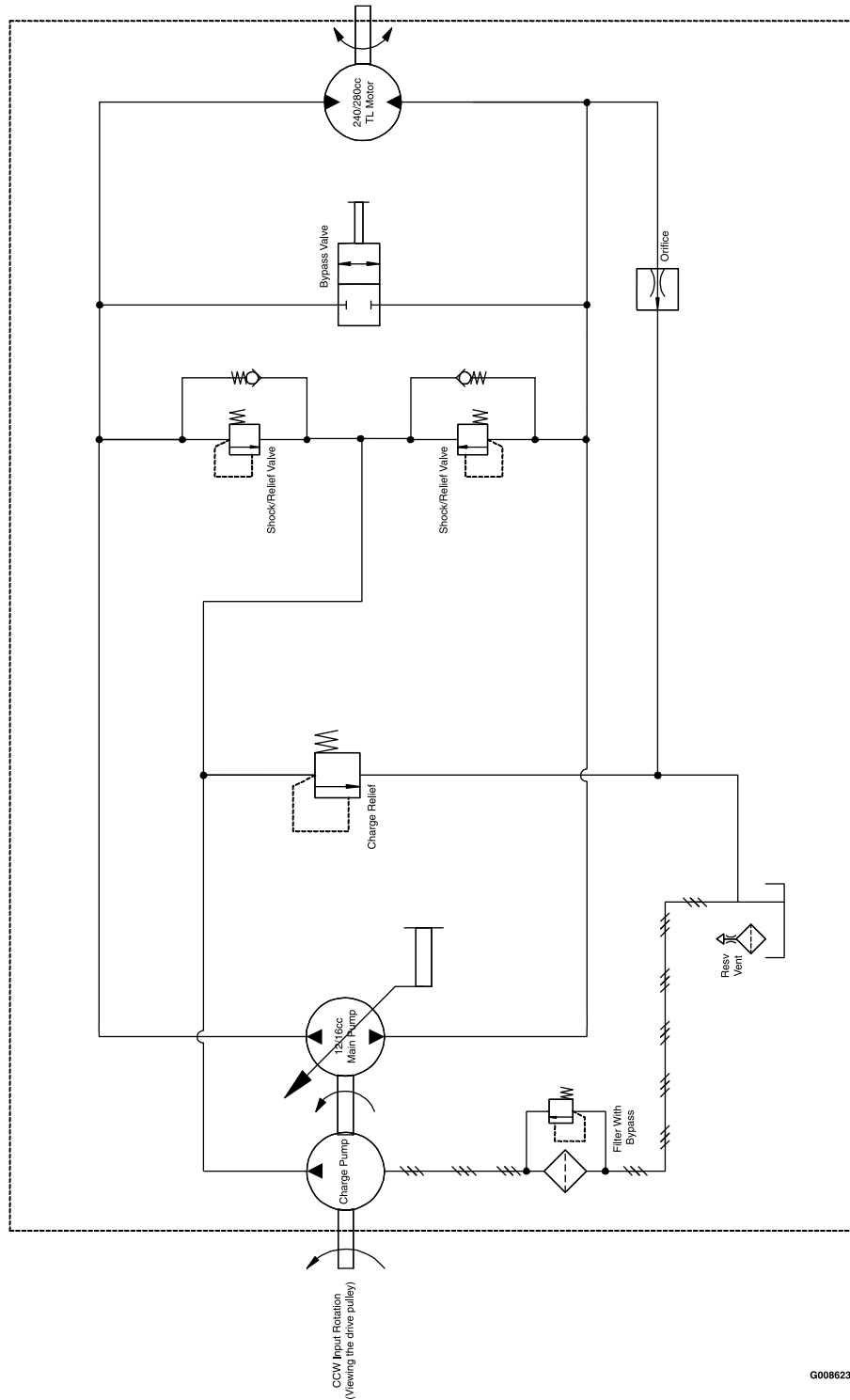
## Electrical Logic Schematic



000813



### Hydraulic Diagram



# Exmark Lazer Z and Lazer Z AS Turf Equipment

## 3 Year Limited Commercial Warranty

### 5 Year or 750 Hours Limited Consumer Warranty

#### General Warranty Conditions and Products Covered

Exmark Mfg. Co. Inc. and its affiliate, Exmark Warranty Company, pursuant to an agreement between them, jointly warrant on the terms and conditions herein, that we will repair, replace or adjust any part on these products and found by us (in the exercise of our reasonable discretion) to be defective in factory materials or workmanship.

This warranty may only be assigned or transferred to a second (or third) owner by an authorized Exmark dealer. The warranty period commences upon the date of the original retail purchase.

#### Commercial Warranty Conditions

This warranty applies to Exmark Lazer Z and Lazer Z AS turf equipment sold in the U.S. or Canada for a period of three years for commercial usage.

This warranty includes the cost of parts and labor for a period of two years and the cost of parts for one additional year. This warranty does not cover pickup and delivery charges to and from any authorized Exmark Service Dealer.

#### Consumer Warranty Conditions

This warranty applies to Exmark Lazer Z and Lazer Z AS turf equipment sold in the U.S. or Canada for a period of five years or 750 hours (whichever occurs first) for residential usage.

Residential usage means use of the product on the same lot as your home. Use at more than one location is considered commercial use, and the commercial use warranty detailed above would apply.

This warranty only includes the cost of parts and labor. For the first warrantable service repair, Exmark will cover up to \$45 for associated pick-up and delivery charges to and from any authorized Exmark Service Dealer. Additional transportation charges may apply, contact your Dealer for details.

#### Warranty Exceptions

##### Warranty Exceptions

- Bags, Belts and Tires
- Battery
- Engine

##### Warranty Period

- 90 days
- 1 Year Prorated
- 2 years\*

\* The Engine warranty is covered by the engine manufacturer. Please refer to the engine manufacturer's warranty statement that is included in the literature packet.

#### Items and Conditions Not Covered

This warranty does not cover the following:

- Any damage or deterioration due to normal use, wear and tear, or exposure.
- Cost of regular maintenance service or parts, such as filters, fuel, lubricants, tune-up parts, and adjustments.
- Any product or part which has been altered or misused or required replacement or repair due to normal wear, accidents, or lack of proper maintenance.
- Any repairs necessary due to use of parts, accessories or supplies, including gasoline, oil or lubricants, incompatible with the turf equipment or other than as recommended in the operator's manual or other operational instructions provided by Exmark.

There are no other express warranties except for engine and special emission system coverage.

All warranty work must be performed by an authorized Exmark Service Dealer using Exmark approved replacement parts.

#### Instructions for Obtaining Warranty Service

The product must be registered with original proof of purchase by an Exmark Service Dealer before obtaining any warranty service.

Contact any Exmark Service Dealer to arrange service at their dealership. To locate a dealer convenient to you, access our website at [www.exmark.com](http://www.exmark.com). U.S. or Canada customers may also call 402-223-6375.

If for any reason you are dissatisfied with the Service Dealer's analysis or with the assistance provided, contact us at:

Exmark Customer Service Department  
The Exmark Warranty Company  
2101 Ashland Avenue  
Beatrice, NE 68310  
402-223-6375 or  
[service@exmark.com](mailto:service@exmark.com)

#### Owner's Responsibilities

The Exmark Lazer Z or Lazer Z AS equipment, including any defective part, must be returned to an authorized Exmark service dealer within the warranty period. This warranty extends only to turf equipment operated under normal conditions. You must read the operator's manual. You must also properly service and maintain your Exmark product as described in the operator's manual. Such routine maintenance, whether performed by a dealer or by you, is at your expense.

#### General Conditions

The sole liability of Exmark and Exmark Warranty Company with respect to this warranty shall be repair or replacement of defective components as set forth herein. **Neither Exmark nor Exmark Warranty Company shall be liable for any incidental or consequential loss or damage.**

Such damages include but are not limited to:

- Expenses related to gasoline, oil or lubricants.
- Travel time, overtime, after hours time or other extraordinary repair charges or charges relating to repairs or replacements outside of normal business hours at the place of business of the authorized Exmark Service Dealer.
- Rental of like or similar replacement equipment during the period of any warranty, repair or replacement work.
- Any telephone or telegram charges or travel charges.
- Loss or damage to person or property other than that covered by the terms of this warranty.
- Any claims for lost revenue, lost profit or additional cost as a result of a claim of breach of warranty.
- Attorney's fees.

No Claim of breach of warranty shall be cause for cancellation or rescission of the contract of sale of any Exmark mower.

**All implied warranties of merchantability (that the product is fit for ordinary use) and fitness for use (that the product is fit for a particular purpose) are limited to the duration of the express warranty.**

**Some states do not allow exclusions of incidental or consequential damages, or limitations on how long an implied warranty lasts, so the above exclusions and limitations may not apply to you.**

This warranty gives you specific legal rights, and you may also have other rights which vary from state to state.

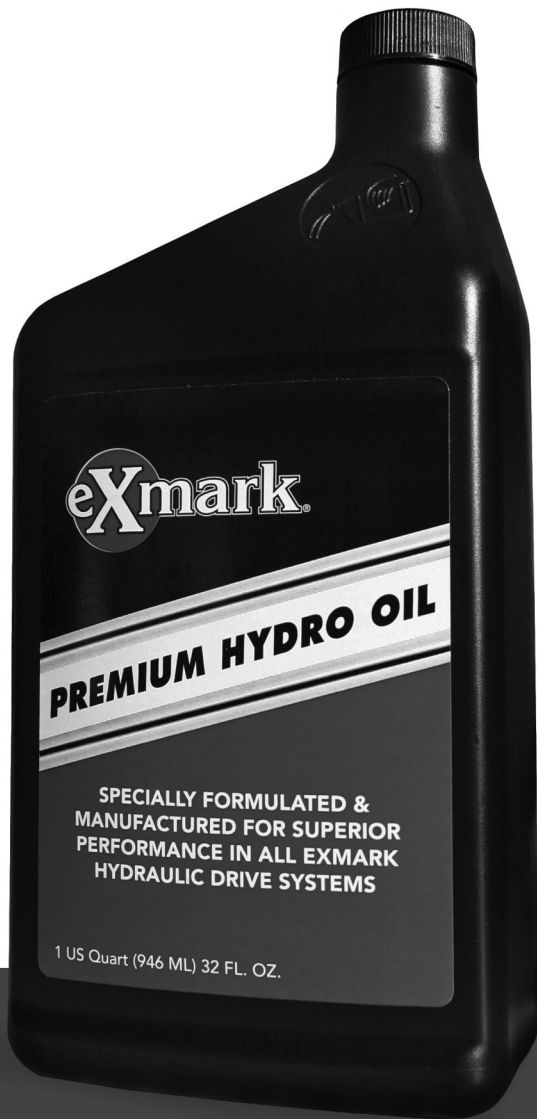
G4500-434

**Notes:**

## Notes:



# NEW EXMARK PREMIUM HYDRO OIL



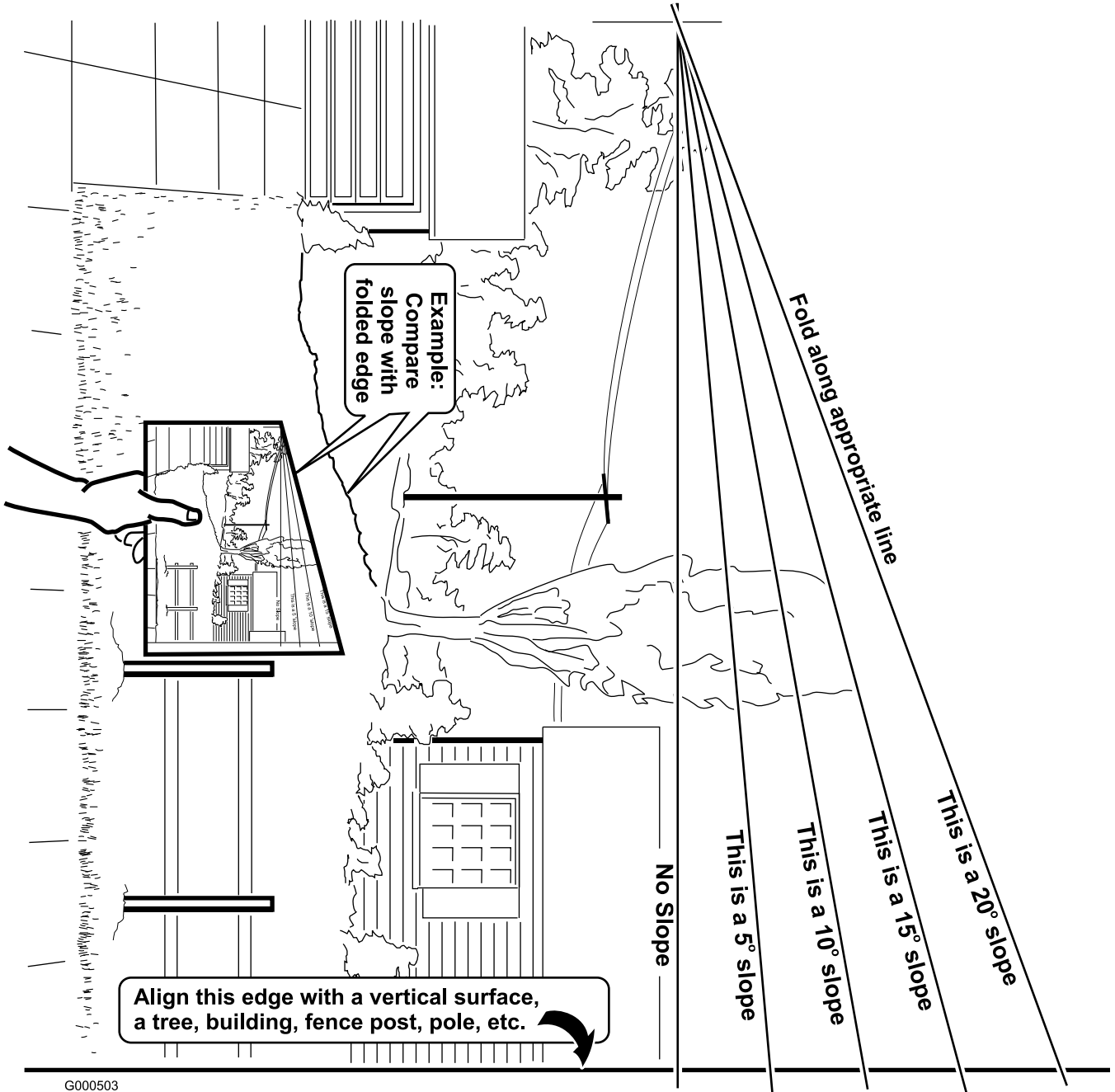
## BENEFITS

- Designed & manufactured with superior anti-wear protection
- Superior thermal stability
- Consistent hydro performance
- Superior shear resistance under heavy loads
- Field tested & proven performance
- Twice the shear stability of competing oils
- Enhanced control performance
- Specially formulated for any Exmark hydraulic system

**NOW AVAILABLE  
FOR PURCHASE**

Part No. 109-9828





G000503

## SEE EXMARK'S COMPLETE LINE OF ACCESSORIES AND OPTIONS

### MID-MOUNT RIDING ACCESSORIES AND OPTIONS

|                                    |                                    |
|------------------------------------|------------------------------------|
| CUSTOM RIDE SEAT SUSPENSION SYSTEM | OPERATOR CONTROLLED DISCHARGE      |
| FULL SUSPENSION SEAT               | ROLL OVER PROTECTION SYSTEM (ROPS) |
| DECK LIFT ASSIST KIT               | SUN SHADE                          |
| HITCH KIT                          | TRASH CONTAINER                    |
| LIGHT KIT                          | TURF STRIPER                       |
| 12V POWER PORT                     | ULTRA VAC COLLECTION SYSTEM        |
| MICRO-MULCH SYSTEM                 | ULTRA VAC QUICK DISPOSAL SYSTEM    |

### OUT-FRONT RIDING ACCESSORIES AND OPTIONS

|                                    |                                 |
|------------------------------------|---------------------------------|
| CUSTOM RIDE SEAT SUSPENSION SYSTEM | SNOW BLADE                      |
| DUAL-TAIL WHEEL                    | SNOWBLOWER                      |
| FLOOR PAN EXTENDER                 | SUN SHADE                       |
| HITCH KIT                          | TRASH CONTAINER                 |
| LIGHT KIT                          | ULTRA VAC COLLECTION SYSTEM     |
| MICRO-MULCH SYSTEM                 | ULTRA VAC QUICK DISPOSAL SYSTEM |
| ROLL OVER PROTECTION SYSTEM (ROPS) | WEATHER CAB                     |

### WALK-BEHIND ACCESSORIES AND OPTIONS

|                    |              |
|--------------------|--------------|
| GRASS CATCHER      | TURF STRIPER |
| MICRO-MULCH SYSTEM | STANDON      |

Place Model No. and Serial No.  
Label Here (Included in the Literature  
Pack) or Fill in Below

Model No. \_\_\_\_\_

Serial No. \_\_\_\_\_

Date Purchased \_\_\_\_\_

Engine Model No. and Spec. No. \_\_\_\_\_

Engine Serial No. (E/No) \_\_\_\_\_

© 2009 Exmark Mfg. Co., Inc.  
Industrial Park Box 808  
Beatrice, NE 68310  
All Rights Reserved

Part No. 4500-471 Rev. A  
(402) 223-6300  
Fax (402) 223-5489  
Printed in the USA



[www.exmark.com](http://www.exmark.com)



## Free Manuals Download Website

<http://myh66.com>

<http://usermanuals.us>

<http://www.somanuals.com>

<http://www.4manuals.cc>

<http://www.manual-lib.com>

<http://www.404manual.com>

<http://www.luxmanual.com>

<http://aubethermostatmanual.com>

Golf course search by state

<http://golfingnear.com>

Email search by domain

<http://emailbydomain.com>

Auto manuals search

<http://auto.somanuals.com>

TV manuals search

<http://tv.somanuals.com>