

LAZER Z[®] MODELS ADVANTAGE SERIES MODELS

**For Serial Nos.
790,000 & Higher**
Part No. 4500-485 Rev. C

Parts Manual

EXMARK PARTS PLUS

PARTS

OVERNIGHT
OR *FREE**

If your Exmark dealer does not have the Exmark part in stock, Exmark will get the parts to the dealer the next business day or the part will be FREE Guaranteed!! (Some restrictions apply. See your participating Exmark Dealer for details.)

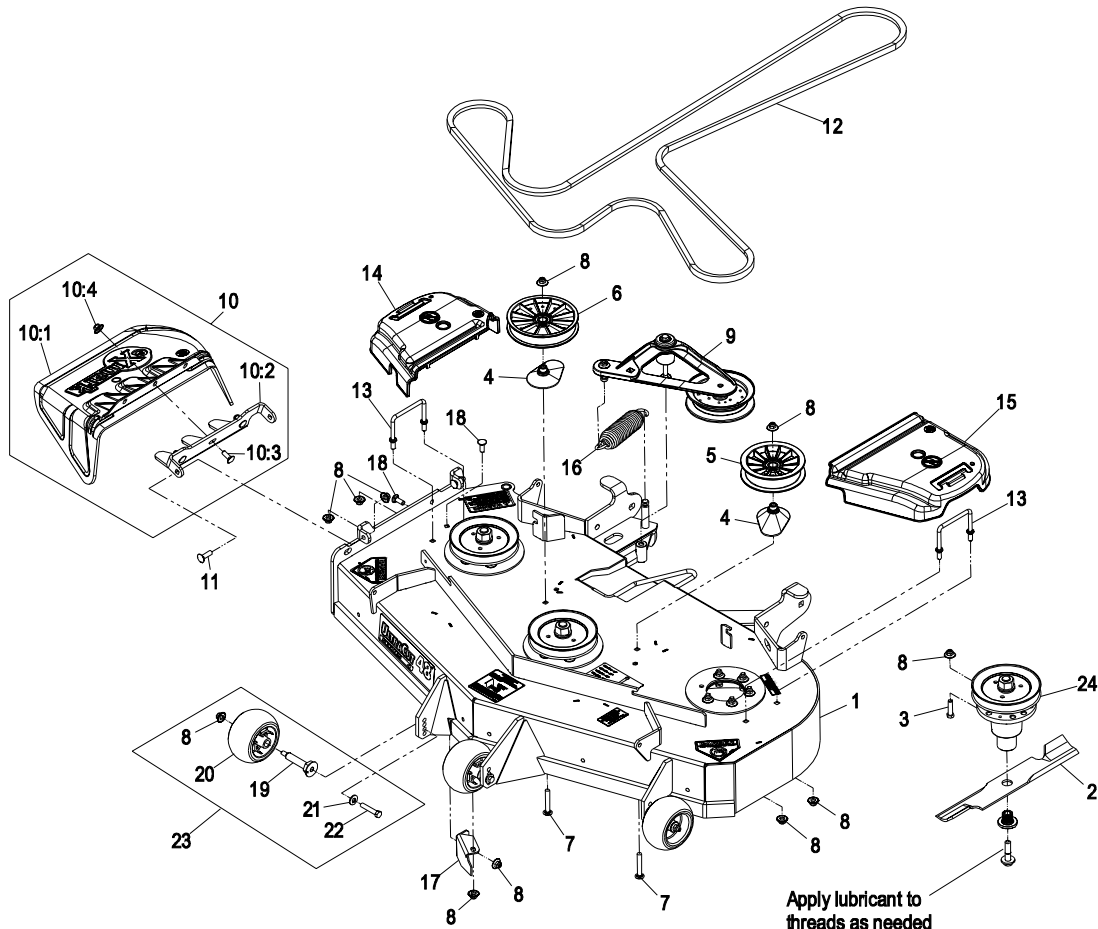


**READ OPERATOR'S MANUAL BEFORE
OPERATING OR SERVICING EXMARK EQUIPMENT.**

TABLE OF CONTENTS

<u>Description</u>	<u>Page</u>
Brake Handle Assembly	25
Caster Wheel Assembly	18-19
Controls Group	22
Cutter Housing Assembly	5, 8, 11, 14
Decal Group	37
Deck Group	3-15
Deck Support Group	20
Deck Idler Assembly	15
Electrical Diagram	38-39
Electrical Group	36
Electrical Logic Schematic	40-41
Engine Group	30-33
Fuel Tank Group	28
Fuel Tank Assembly	29
Height of Cut Assembly	21
Hydraulic Group	34
Mainframe Group	16
Motion Control Group	23
Park Brake Group	24
Pump Idler Assembly	35
ROPS Assembly	17
Seat Group	26
Seat W/Tracks Assembly	27

48" DECK GROUP



Apply lubricant to threads as needed to prevent seizing. Copper based anti-seize preferable. Grease is an acceptable substitute.

Item	Part No.	Description	Qty.
1	109-9027	Asm, Deck W/Decals 484.....	1
2	103-6401	Blade-Notched.....	3
●	103-6391	Blade, Mulching.....	3
	103-6386	Blade, Low Lift.....	3
	103-6381	Blade, Solid.....	3
	103-6396	Blade, Extreme.....	3
3	323-8	Screw, HH 3/8-16 x 1 1/2.....	18
4	109-2872	Spacer-Pulley.....	2
5	109-0977	Pulley, Idler 5".....	1
6	109-2796	Pulley, Idler 6".....	1
7	3231-44	Bolt, Carriage 3/8-16 x 2 1/2.....	2
8	109-6658	Nut, Nyloc 3/8-16 Flg.....	31
9	109-2883	Asm, Deck Idler.....	1
10	109-7188	Asm, Discharge Chute.....	1
10:1	109-2738	Chute, Discharge.....	1
10:2	109-8675-01	Bracket, Discharge Chute.....	1
10:3	3231-22	Bolt, Carriage 3/8-16 x 1.....	3

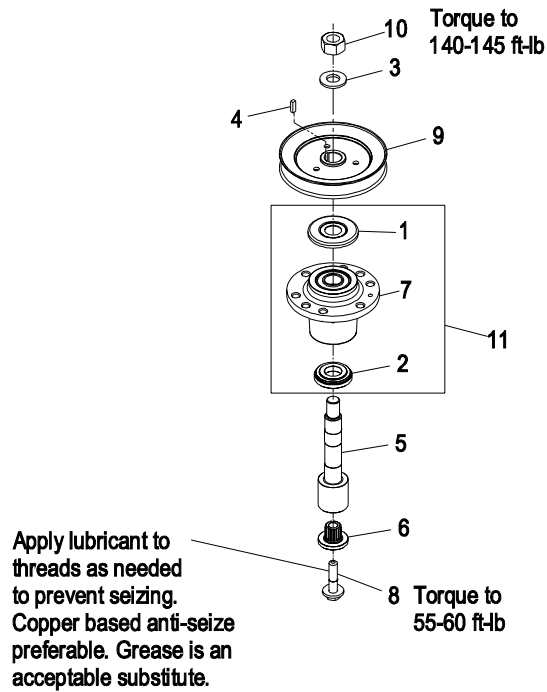
Item	Part No.	Description	Qty.
10:4	109-6658	Nut, Nyloc 3/8-16 Flg.....	3
11	3231-28	Bolt, Carriage 3/8-16 x 1 1/4.....	2
12	109-8070	Belt, V-B X 175.75.....	1
13	109-6982	Wireform, Cover.....	2
14	109-6935	Cover, Belt RH 46-56.....	1
15	109-6936	Cover, Belt LH 46-56.....	1
16	116-0133	Extension-Spring.....	1
17	109-9010-01	Baffle, Discharge.....	1
18	3231-22	Bolt, Carriage 3/8-16 x 1.....	2
19	109-9851	Axle, Anti-Scalp Roller.....	3
20	1-603299	Roller-Scalp, Anti.....	3
21	98-5975	Washer, Spring Disc 3/8.....	3
22	3211-46	Screw, HH 3/8-24 x 2 Gr8.....	3
23	103-7263	Kit, Antiscalp Roller.....	3
24	109-9017	Kit, Cutter Housing 48.....	3
25	109-9642	Asm, Deck Complete 484.....	1

Exmark red touch up paint (spray paint – P/N 1-850337 - .6 oz liquid bottle – P/N 103-9140).

● Requires installation of Micro-Mulch accessory for proper mulching. Mulch kit P/N MK484.

■ Apply Mobil HTS grease (P/N 103-5217 1.5 oz packet) (or a food-grade anti-seize) between the spindles and bearings. DO NOT use a copper or nickel based anti-seize.

CUTTER HOUSING ASSEMBLY – 109-9017



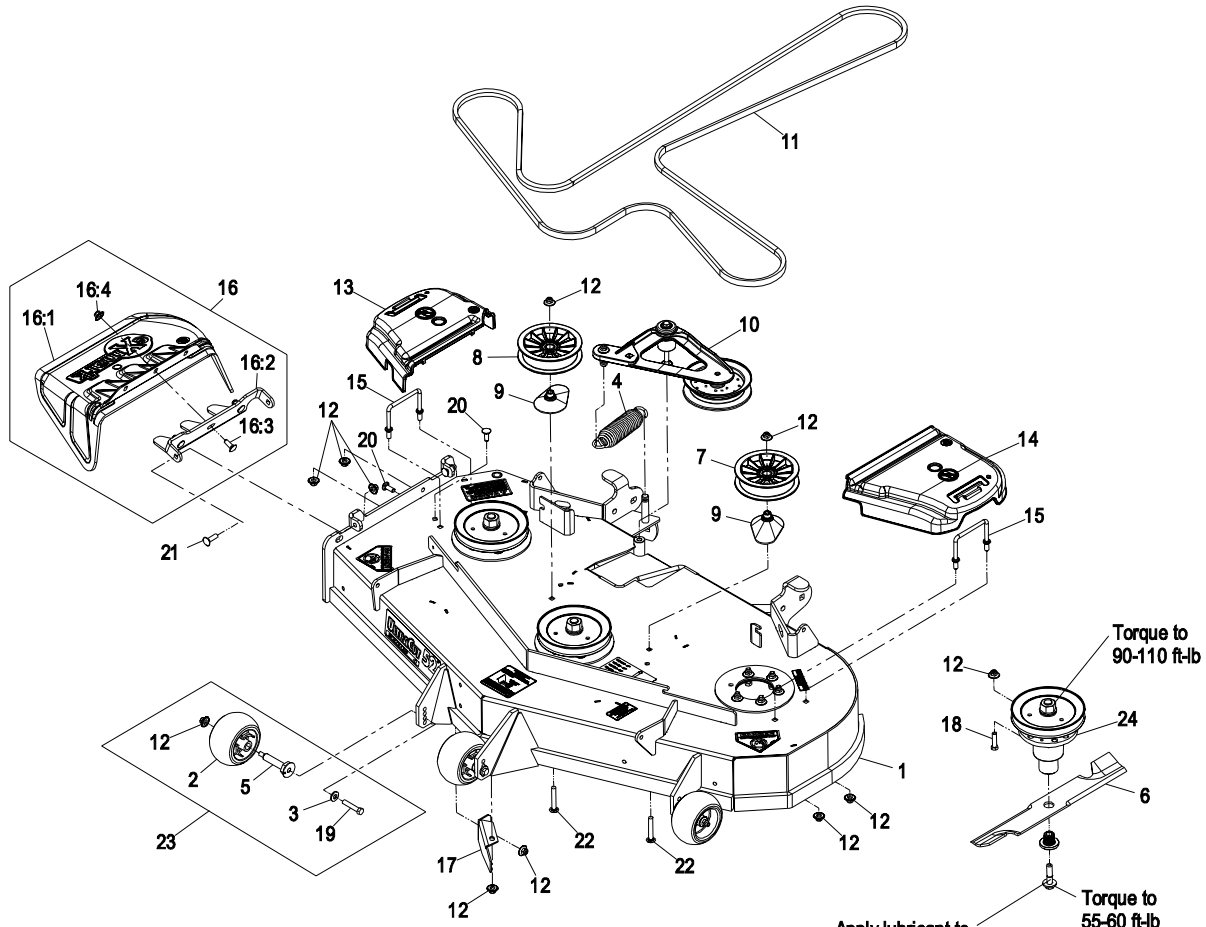
Item	Part No.	Description	Qty.
1	103-1330	Guard, Bearing Top	1
2	103-2535	Spacer, Guard Bottom	1
3	103-2802	Washer, Spring Disc 3/4	1
4	103-2982	Key, Machine 1/4 x 3/16 x 3/4	1
5+■	103-9086	Kit, Splined Spindle	1
6	103-3037	Bushing, Splined	1

Item	Part No.	Description	Qty.
7	103-8353	Housing, Cutter	1
8	109-9220	Screw, SEMS 1/2-20 x 2.19	1
9	116-1444	Sheave, Blade Drive	1
10	3217-46	Nut, Hex 3/4-16 Heavy	1
11	103-8280	Kit, Cutter Housing	1

✚ Apply Mobil HTS grease (P/N 103-5217 1.5 oz packet) (or a food grade antiseize) between the jackshaft and bearings, jackshaft and sheaves, spindles and bearings, spindles and sheaves, and under top bearing guard. DO NOT use a copper or nickel based antiseize.

■ Kit includes items 3, 4, 6, 8, & 10.

52" DECK GROUP



Apply lubricant to threads as needed to prevent seizing. Copper based anti-seize preferable. Grease is an acceptable substitute.

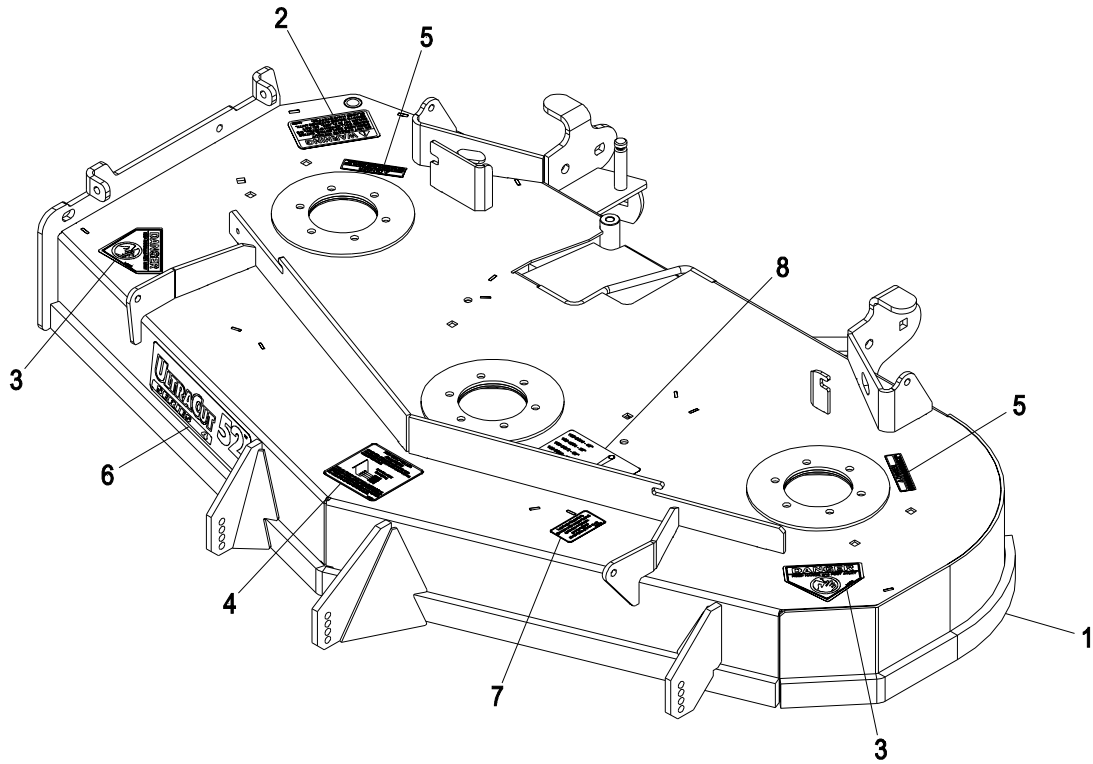
Item	Part No.	Description	Qty.
1	109-9012	Asm, Deck W/ Decals 524.....	1
2	1-603299	Roller, Scalp, Anti.....	3
3	98-5975	Washer, Spring Disc 3/8.....	3
4	116-0133	Extension-Spring.....	1
5	109-9851	Axle, Anti-Scalp Roller.....	3
6	103-6402	Blade-Notched.....	3
●	103-6392	Blade, Mulching.....	3
	103-6387	Blade, Low Lift.....	3
	103-6382	Blade, Solid.....	3
	103-6397	Blade, Extreme.....	3
7	109-0977	Pulley, Idler 5".....	1
8	109-2796	Pulley, Idler 6".....	1
9	109-2872	Spacer-Pulley.....	2
10	109-2883	Asm, Deck Idler.....	1
11	109-4994	Belt, V-B.....	1
12	109-6658	Nut, Nyloc 3/8-16 Flg.....	31
13	109-6935	Cover, Belt RH 46-56.....	1

Item	Part No.	Description	Qty.
14	109-6936	Cover, Belt LH 46-56.....	1
15	109-6982	Wireform-Cover.....	2
16	109-7188	Asm, Discharge Chute.....	1
16:1	109-2738	Chute, Discharge.....	1
16:2	109-8675-01	Bracket, Discharge Chute.....	1
16:3	3231-22	Bolt, Carriage 3/8-16 x 1.....	3
16:4	109-6658	Nut, Nyloc 3/8-16 Flg.....	3
17	109-9915-01	Baffle, Discharge 52/60.....	1
18	323-8	Screw, HH 3/8-16 x 1 1/2.....	18
19	3211-46	Screw, HH 3/8-24 x 2 Gr8.....	3
20	3231-22	Bolt, Carriage 3/8-16 x 1.....	2
21	3231-28	Bolt, Carriage 3/8-16 x 1 1/4.....	2
22	3231-44	Bolt, Carriage 3/8-16 x 2 1/2.....	2
23	103-7263	Kit, Antiscalp Roller.....	3
24	109-9018	Kit, Cutter Housing 52.....	3
25	109-9644	Asm, Deck Complete 524.....	1

Exmark red touch up paint (spray paint – P/N 1-850337 - .6 oz liquid bottle – P/N 103-9140).

● Requires installation of Micro-Mulch accessory for proper mulching. Mulch kit P/N MK524.

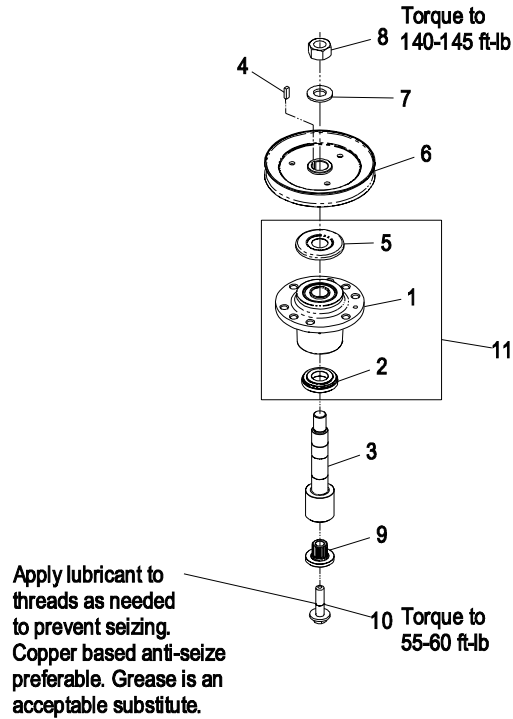
52" DECK W/DECALS ASSEMBLY – 109-9012



Item	Part No.	Description	Qty.
2	1-303508	Decal, Warning Discharge	1
3	1-403005	Decal, Danger	2
4	1-633922	Decal, Antiscalp	1
5	98-5954	Decal, Cover Missing	2

Item	Part No.	Description	Qty.
6	116-0034	Decal, Ultracut 52 Series 4	1
7	109-3148	Decal, Bolt Torque	1
8	109-9361	Decal, Belt Routing	1

CUTTER HOUSING ASSEMBLY – 109-9018



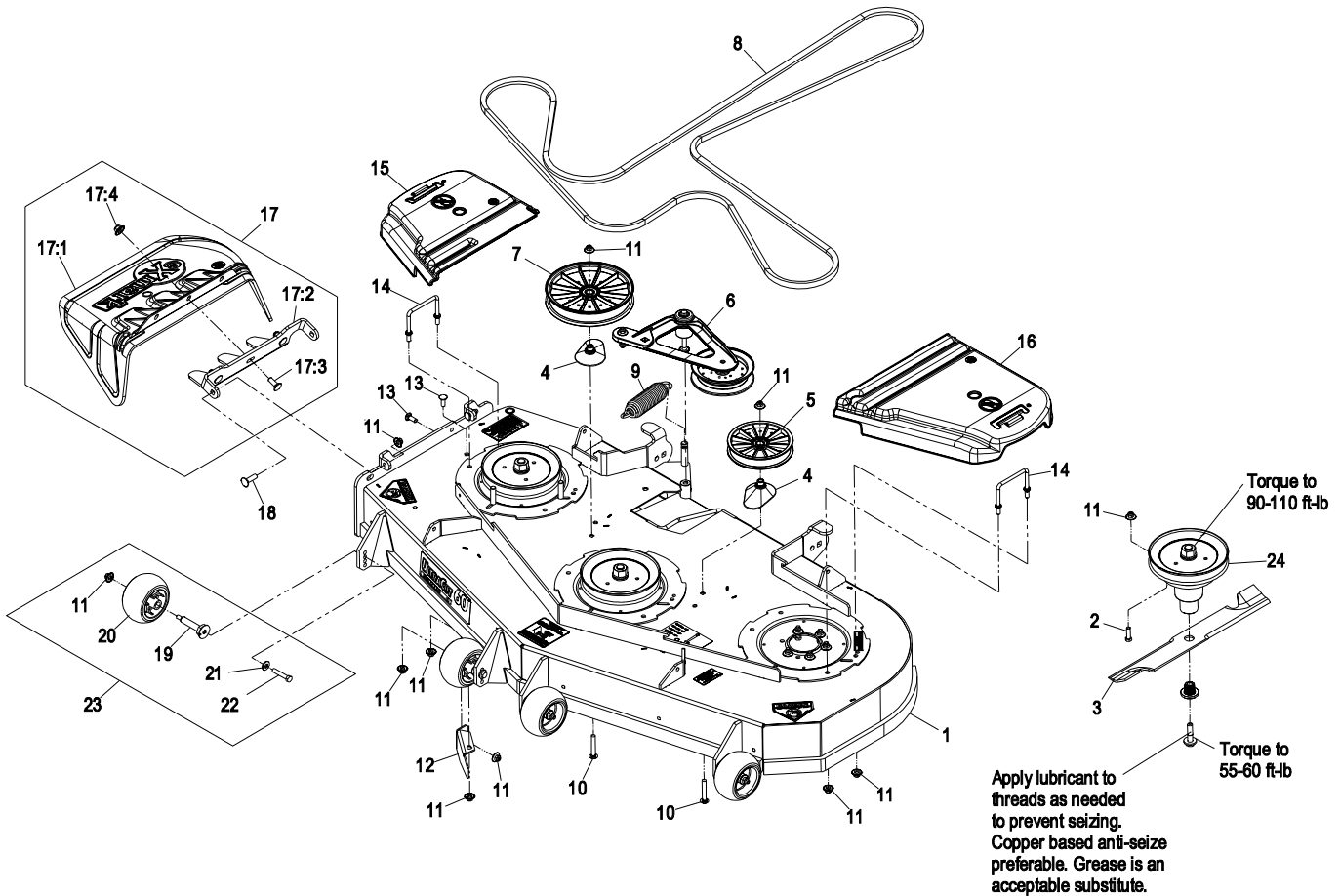
Item	Part No.	Description	Qty.
1	103-8353	Housing, Cutter.....	1
2	103-2535	Spacer, Guard Bottom	1
3+■	103-9086	Kit, Splined Spindle.....	1
4	103-2982	Key, Machine 1/4 x 3/16 x 3/4	1
5	103-1330	Guard, Bearing Top	1
6	116-0186	Sheave, Blade Drive	1

Item	Part No.	Description	Qty.
7	103-2802	Washer, Spring Disc 3/4.....	1
8	3217-46	Nut, Hex 3/4-16 Heavy	1
9	103-3037	Bushing, Splined	1
10	109-9220	Screw, SEMS 1/2-20 x 2.19.....	1
11	103-8280	Kit, Cutter Housing	1

+ Apply Mobil HTS grease (P/N 103-5217 1.5 oz packet) (or a food grade antiseize) between the jackshaft and bearings, jackshaft and sheaves, spindles and bearings, spindles and sheaves, and under top bearing guard. DO NOT use a copper or nickel based antiseize.

■ Kit includes items 3, 4, 6, 8, & 10.

60" DECK GROUP



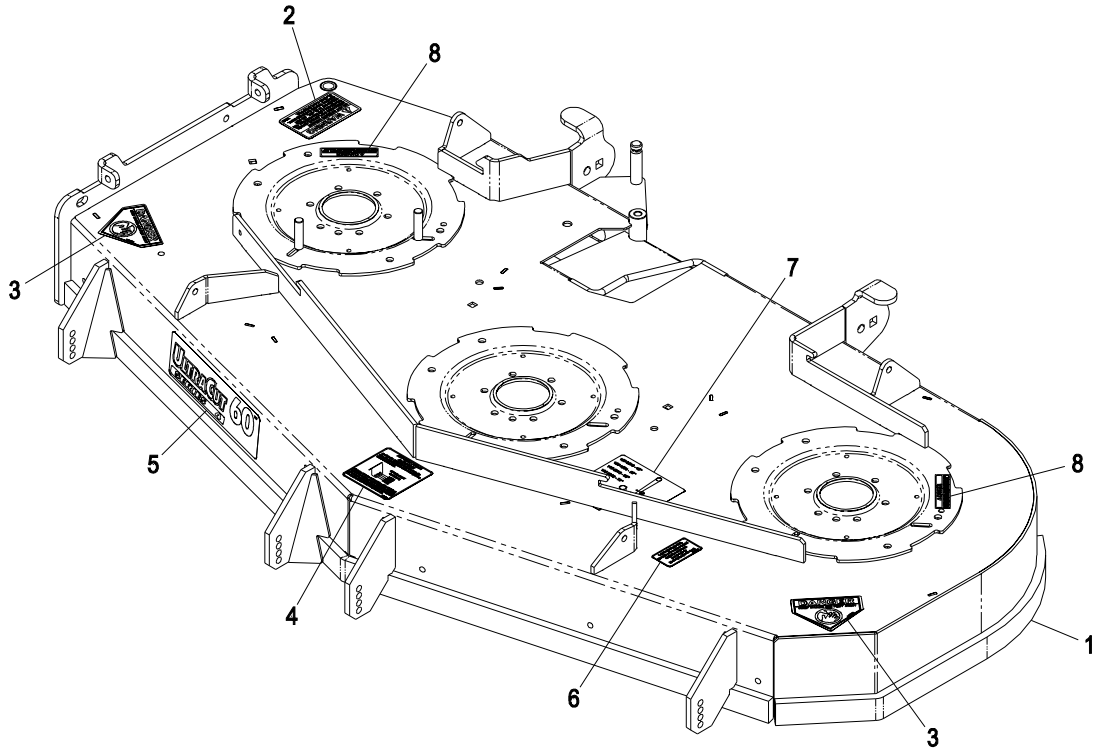
Item	Part No.	Description	Qty.
1	109-9013	Asm, Deck W/ Decals 604.....	1
3	103-6403	Blade, Notched	3
●	103-6393	Blade, Mulching.....	3
	103-6388	Blade, Low Lift.....	3
	103-6383	Blade, Solid.....	3
	103-6398	Blade, Extreme.....	3
4	109-2872	Spacer-Pulley.....	2
5	109-2796	Pulley, Idler 6".....	1
6	109-2883	Asm, Deck Idler.....	1
7	109-0996	Pulley, Idler 8"Flat.....	1
8	109-8073	Belt, V-5V.....	1
9	116-0133	Extension-Spring.....	1
10	3231-44	Bolt, Carriage 3/8-16 x 2 1/2.....	2
11	109-6658	Nut, Nyloc 3/8-16 Flg.....	37
12	109-9915-01	Baffle, Discharge 52/60.....	1
13	3231-22	Bolt, Carriage 3/8-16 x 1.....	2

Item	Part No.	Description	Qty.
14	109-6982	Wireform-Cover.....	2
15	116-0094	Cover-Belt, RH.....	1
16	109-6938	Cover-Belt, LH.....	1
17	109-7188	Asm, Discharge Chute.....	1
17:1	109-2738	Chute, Discharge.....	1
17:2	109-8675-01	Bracket, Discharge Chute.....	1
17:3	3231-22	Bolt, Carriage 3/8-16 x 1.....	3
17:4	109-6658	Nut, Nyloc 3/8-16 Flg.....	3
18	3231-28	Bolt, Carriage 3/8-16 x 1 1/4.....	2
19	109-9851	Axle, Anti-Scalp Roller.....	4
20	1-603299	Roller-Scalp, Anti.....	4
21	98-5975	Washer, Spring Disc 3/8.....	4
22	3211-46	Screw, HH 3/8-24 x 2 Gr8.....	4
23	103-7263	Kit, Antiscalp Roller.....	3
24	109-9019	Kit, Cutter Housing 60.....	3
25	109-9646	Asm, Deck Complete 604.....	1

Exmark red touch up paint (spray paint – P/N 1-850337 - .6 oz liquid bottle – P/N 103-9140).

● Requires installation of Micro-Mulch accessory for proper mulching. Mulch kit P/N MK604.

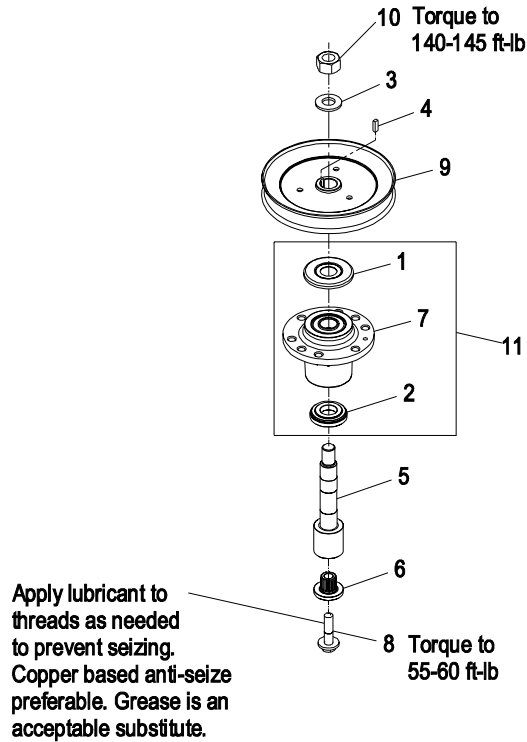
60" DECK W/DECALS ASSEMBLY – 109-9013



Item	Part No.	Description	Qty.
2	1-303508	Decal, Warning, Discharge	1
3	1-403005	Decal, Danger	2
4	1-633922	Decal, Antiscalp	1
5	116-0025	Decal, Ultracut 60 Series 4	1

Item	Part No.	Description	Qty.
6	109-3148	Decal, Bolt Torque	1
7	109-9361	Decal, Belt Routing	1
8	98-5954	Decal-Cover, Missing	2

CUTTER HOUSING ASSEMBLY – 109-9019



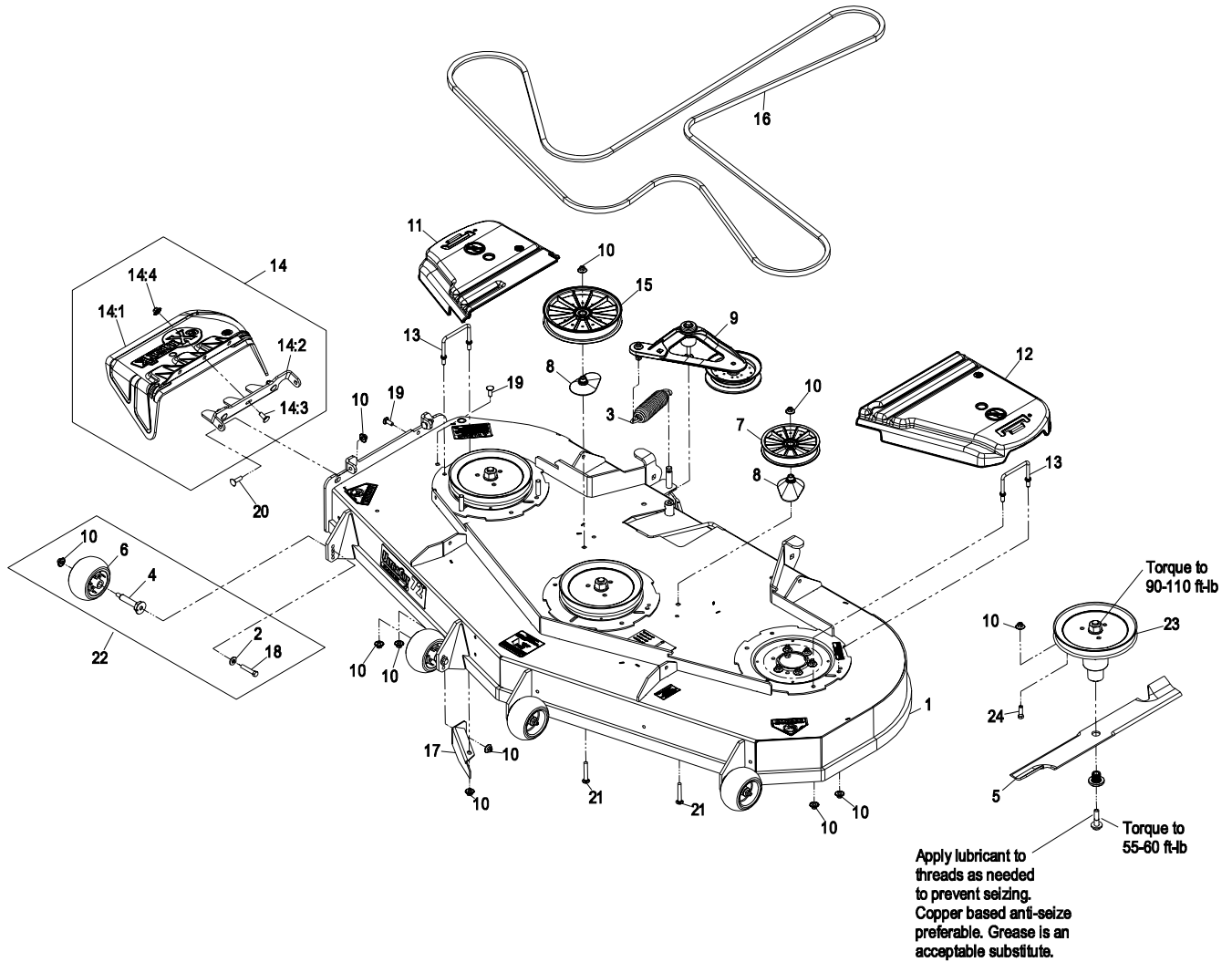
Item	Part No.	Description	Qty.
1	103-1330	Guard, Bearing Top	1
2	103-2535	Spacer, Guard Bottom	1
3	103-2802	Washer, Spring Disc 3/4	1
4	103-2982	Key, Machine 1/4 x 3/16 x 3/4	1
5+■	103-9086	Kit, Splined Spindle.....	1

Item	Part No.	Description	Qty.
6	103-3037	Bushing, Splined	1
7	103-8353	Housing-Cutter	1
8	109-9220	Screw, SEMS 1/2-20 x 2.19.....	1
9	109-8251	Sheave, Blade Drive 7.25	1
10	3217-46	Nut, Hex 3/4-16 Heavy	1

✦ Apply Mobil HTS grease (P/N 103-5217 1.5 oz packet) (or a food grade antiseize) between the jackshaft and bearings, jackshaft and sheaves, spindles and bearings, spindles and sheaves, and under top bearing guard. DO NOT use a copper or nickel based antiseize.

■ Kit includes items 3, 4, 6, 8, & 10.

72" DECK GROUP



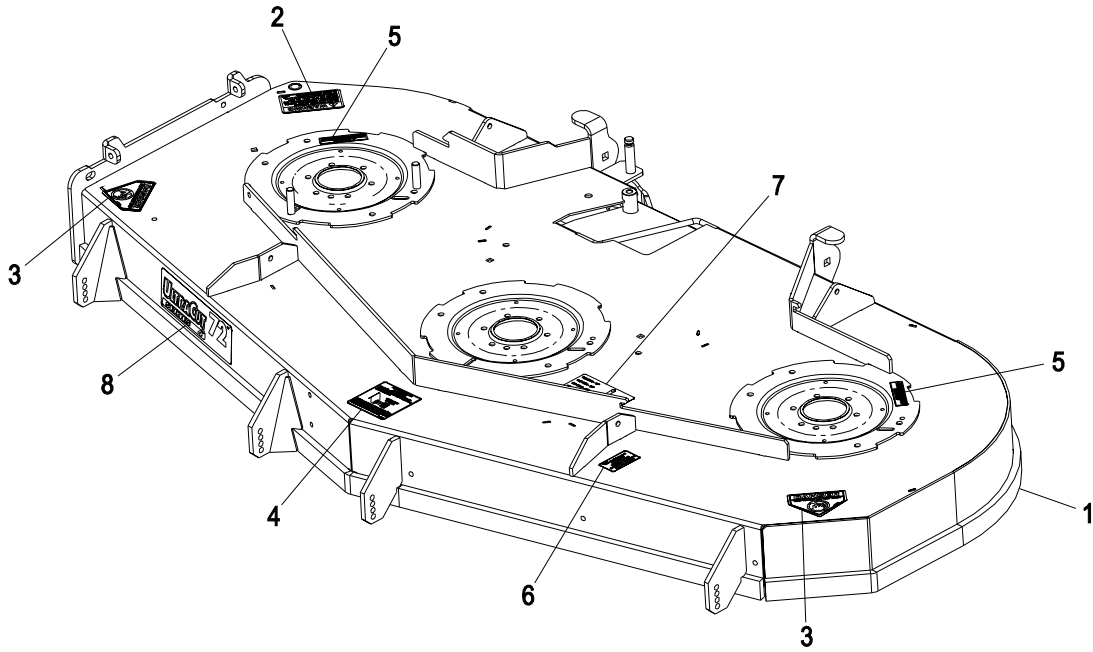
Item	Part No.	Description	Qty.
1	109-9014	Asm, Deck W/Decals 724.....	1
2	98-5975	Washer, Spring Disc 3/8.....	1
3	116-0133	Extension-Spring	1
4	109-9851	Axle, Anti-Scalp Roller.....	4
5	103-6404	Blade, Notched	3
●	103-6394	Blade, Mulching.....	3
	103-6389	Blade, Low Lift.....	3
	103-6384	Blade, Solid.....	3
	103-6399	Blade, Extreme.....	3
6	1-603299	Roller-Scalp, Anti.....	4
7	109-2796	Pulley, Idler 6".....	1
8	109-2872	Spacer-Pulley.....	2
9	109-2883	Asm, Deck Idler.....	1
10	109-6658	Nut, Nyloc 3/8-16 Flg.....	37
11	116-0094	Cover-Belt, RH.....	1
12	109-6938	Cover-Belt, LH.....	1

Item	Part No.	Description	Qty.
13	109-6982	Wireform, Cover.....	2
14	109-7188	Asm, Discharge Chute	1
14:1	109-2738	Chute, Discharge	1
14:2	109-8675-01	Bracket, Discharge Chute	1
14:3	3231-22	Bolt, Carriage 3/8-16 x 1.....	3
14:4	109-6658	Nut, Nyloc 3/8-16 Flg.....	3
15	109-0996	Pulley, Idler 8"Flat.....	1
16	109-9023	Belt, V-5V.....	1
17	109-9695-01	Baffle, Discharge 724.....	1
18	3211-46	Screw, HH 3/8-24 x 2 Gr8.....	4
19	3231-22	Bolt, Carriage 3/8-16 x 1.....	2
20	3231-28	Bolt, Carriage 3/8-16 x 1 1/4.....	2
21	3231-44	Bolt, Carriage 3/8-16 x 2 1/2.....	2
22	103-7263	Kit, Antiscalp Roller.....	4
23	116-0911	Kit, Cutter Housing 72.....	1
24	109-9648	Asm, Deck Complete.....	1

Exmark red touch up paint (spray paint – P/N 1-850337 - .6 oz liquid bottle – P/N 103-9140).

● Requires installation of Micro-Mulch accessory for proper mulching. Mulch kit P/N MK724

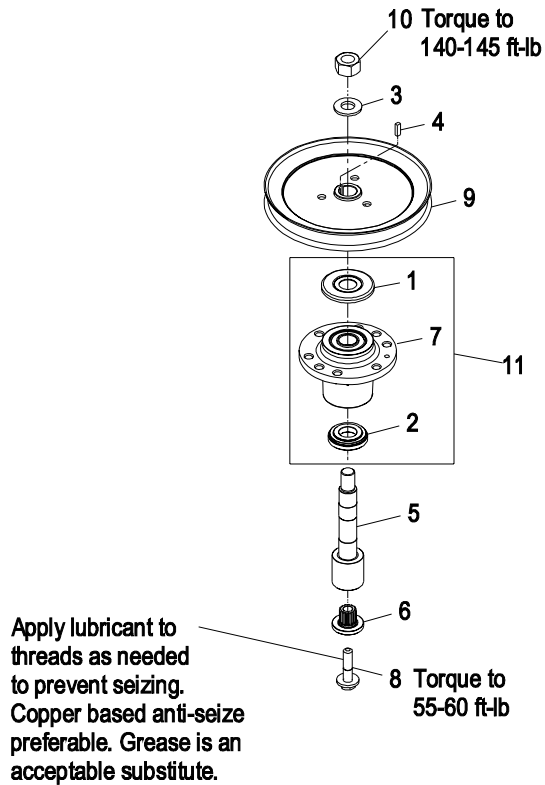
72" DECK W/DECALS ASSEMBLY – 109-9014



Item	Part No.	Description	Qty.
2	1-303508	Decal-Warning, Discharge	1
3	1-403005	Decal-Danger	2
4	1-633922	Decal, Antiscalp	1
5	98-5954	Decal-Cover, Missing	2

Item	Part No.	Description	Qty.
6	109-3148	Decal, Bolt Torque	1
7	109-9361	Decal, Belt Routing	1
8	116-0944	Decal, Ultracut 72 Series 4	1

CUTTER HOUSING ASSEMBLY – 116-0911



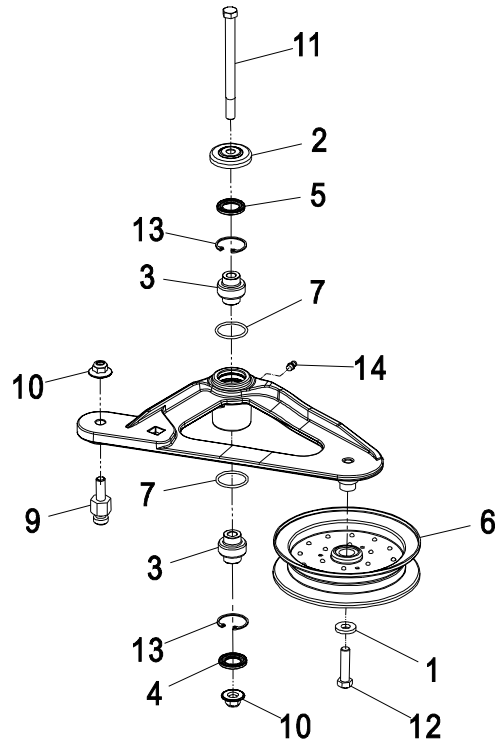
Item	Part No.	Description	Qty.
1	103-1330	Guard, Bearing Top	1
2	103-2535	Spacer, Guard Bottom	1
3	103-2802	Washer, Spring Disc 3/4	1
4	103-2982	Key, Machine 1/4 x 3/16 x 3/4	1
5+■	103-9086	Kit, Splined Spindle.....	1
6	103-3037	Bushing, Splined.....	1

Item	Part No.	Description	Qty.
7	103-8353	Housing-Cutter	1
8	109-9220	Screw, SEMS 1/2-20 x 2.19.....	1
9	116-0912	Sheave, Blade Drive 8.74	1
10	3217-46	Nut, Hex 3/4-16 Heavy	1
11	103-8280	Kit, Cutter Housing	1

✚ Apply Mobil HTS grease (P/N 103-5217 1.5 oz packet) (or a food grade antiseize) between the jackshaft and bearings, jackshaft and sheaves, spindles and bearings, spindles and sheaves, and under top bearing guard. DO NOT use a copper or nickel based antiseize.

■ Kit includes items 3, 4, 6, 8, & 10.

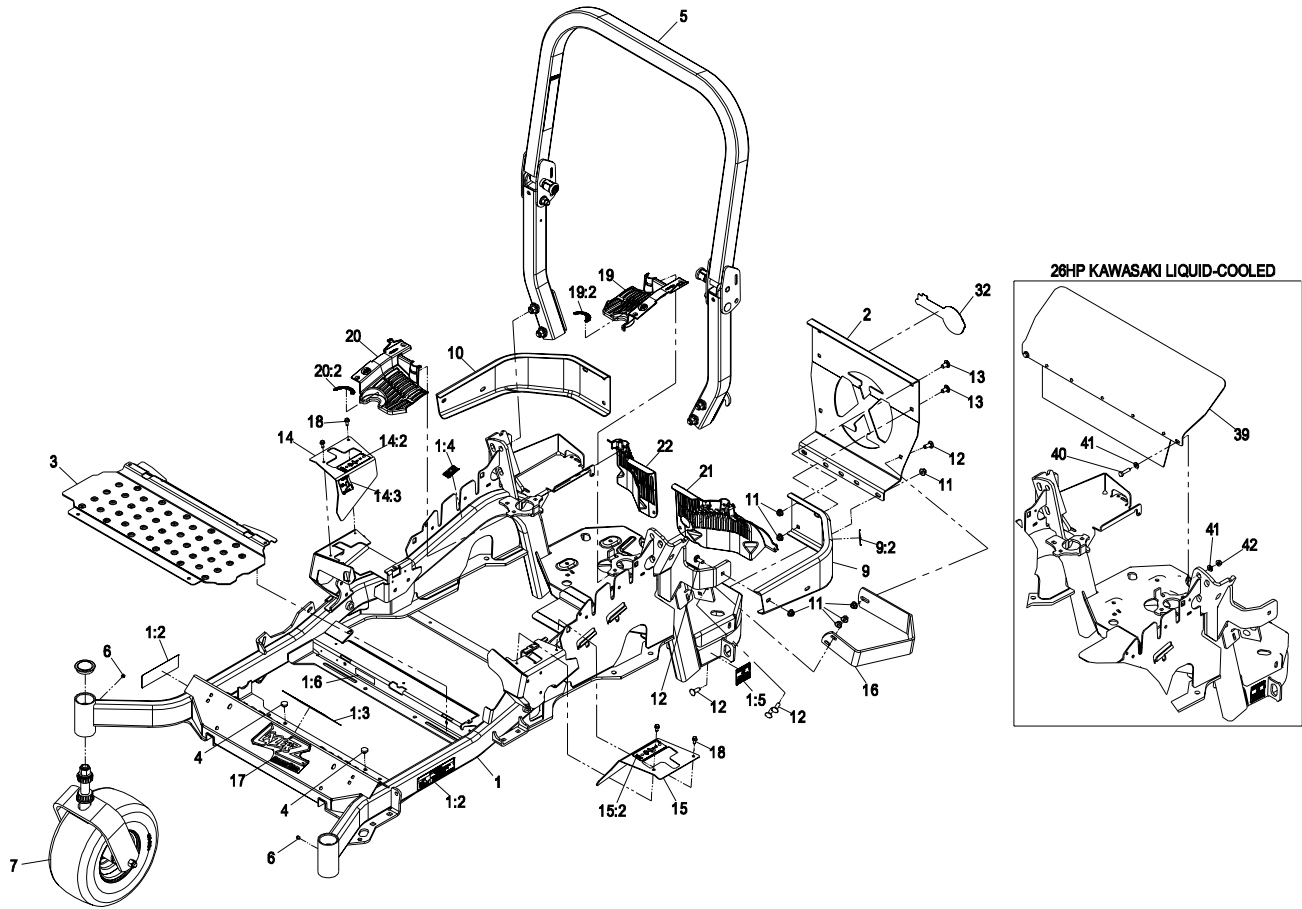
DECK IDLER ASSEMBLY – 109-2883



Item	Part No.	Description	Qty.
1	43-0940	Spacer-Hub, Blower.....	1
2	103-2916	Guard, Top.....	1
3	103-3504	Bearing, Spherical.....	2
4	103-3505	Seal, Double Lip.....	1
5	103-3506	Seal, Single Lip.....	1
6	103-8743	Pulley, Idler 5"Flanged.....	1
7	106-7159	O-Ring.....	2

Item	Part No.	Description	Qty.
9	109-7399	Pin, Spring Anchor.....	1
10	109-6658	Nut, Nyloc 3/8-16 Fig.....	2
11	109-7409	Screw, Shoulder 3/8-16 x 5.....	1
12	323-8	Screw, HH 3/8-16 x 1 1/2.....	1
13	32120-10	Ring, Retaining.....	2
14	302-19	Zerk, 1/4-28 Str.....	1

MAINFRAME GROUP



Item	Part No.	Description	Qty.
1	109-7345	Frame, Main 48/52 W/Decals.....	1
	109-7347	Frame, Main 60 W/Decals	1
	109-7349	Frame, Main 72 W/Decals	1
1:2	109-9477	Decal, Warning Spring Load	2
1:3	107-2112	Decal, Warning	1
1:4	103-2076	Decal, Caution Hot Surface.....	2
1:5	116-0205	Decal, Belt Drive	2
1:6	117-2718	Decal, Spark Arrester.....	1
2	109-8863-03	Plate, Rear Guard	1
3	116-0024-01	Floorpan.....	1
4	1-513658	Bumper	2
5	116-0230	Asm, ROPS Service	1
6	1-811010	Plug	2
7▲		Asm, Caster Wheel (72")	2
		Asm, Caster Wheel (48", 52" & 60").....	2
9	116-0180	Bumper, Rear LH W/Decal	1
9:2	103-2076	Decal, Caution Hot Surface.....	1
10	116-0057-03	Bumper, Rear RH	1
11	104-8301	Nut, Nyloc 3/8-16 Flg	11
12	3231-22	Bolt, Carriage 3/8-16 x 1	7
13	3231-21	Bolt, Carriage 3/8-16 x 3/4	4

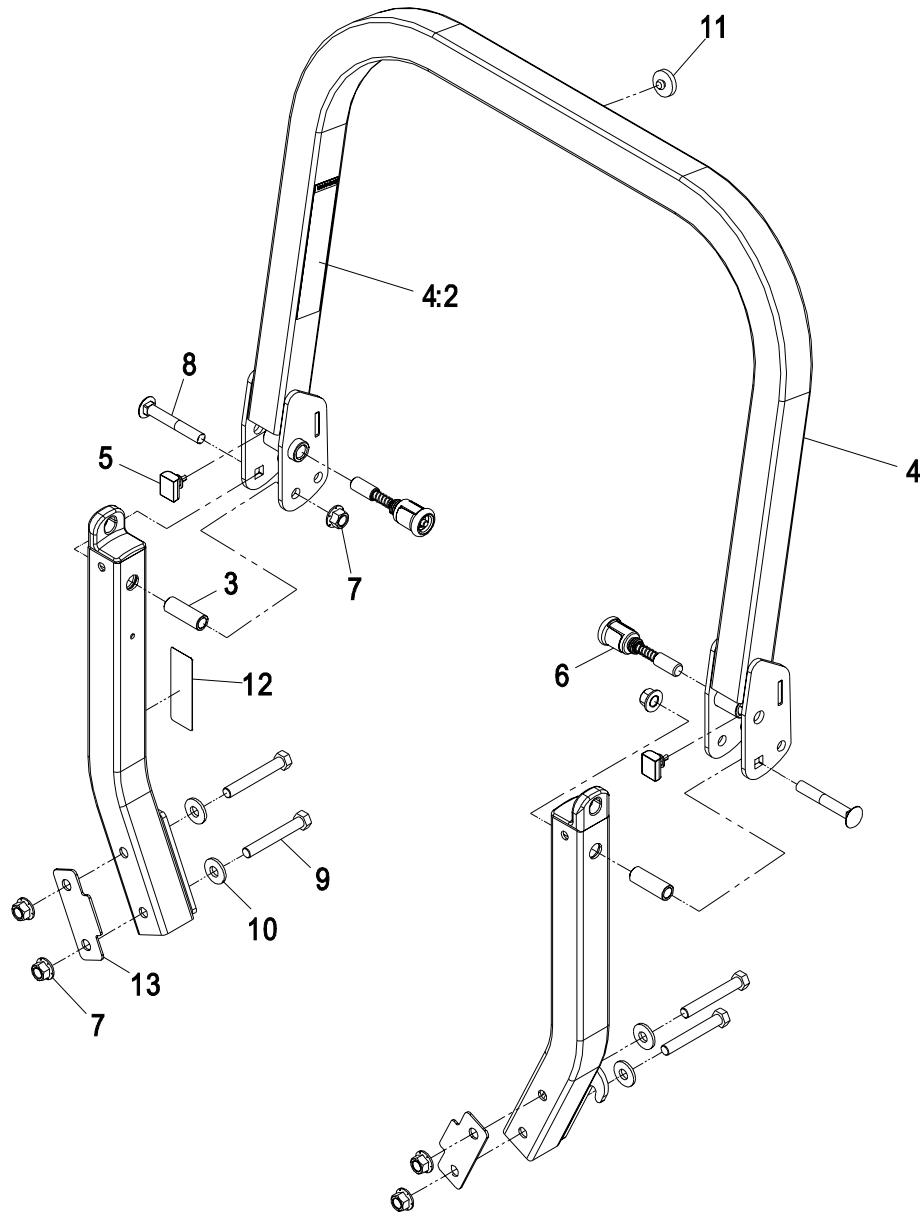
Item	Part No.	Description	Qty.
14	116-0579	Asm, Motion Control Cover W/Decal RH	1
14:2	109-7232	Decal, Motion Control	1
14:3	109-7929	Decal, Park Brake	1
15	116-0580	Asm, Motion Control Cover W/Decal LH	1
15:2	109-7232	Decal, Motion Control	1
16	116-0043-03	Guard, Muffler.....	1
17	116-0026	Decal, Lazer AS Model	1
18	32144-10	Screw, HWH 1/4-20 x .62	4
19	116-0170	Asm, Guard, Hydro W/Decal	1
19:2	116-0157	Decal, Hydro Oil	1
20	116-0171	Asm, Guard, Hydro W/Decal	1
20:2	116-0157	Decal, Hydro Oil	1
21	109-9057	Guard, Hydro Rear LH.....	1
22	109-9058	Guard, Hydro Rear RH	1
	116-0669	Guard, Hydro Rear RH Trimmed Rear RH Trimmed (26HP Kaw).....	1
32	103-2883	Decal, Exmark Logo	1
39	116-1397	Asm, Air Deflector.....	1
40	322-6	Screw, HH 5/16-18 x 1 1/4.....	2
41	1-303334	Washer, Spring Disc 5/16.....	4
42	104-8300	Nut, Nyloc 5/16-18 Flg	2

Exmark red touch up paint (spray paint – P/N 1-850337 - .6 oz liquid bottle – P/N 103-9140).

Exmark black touch up spray paint – gloss black.

▲ See pages 18 & 19.

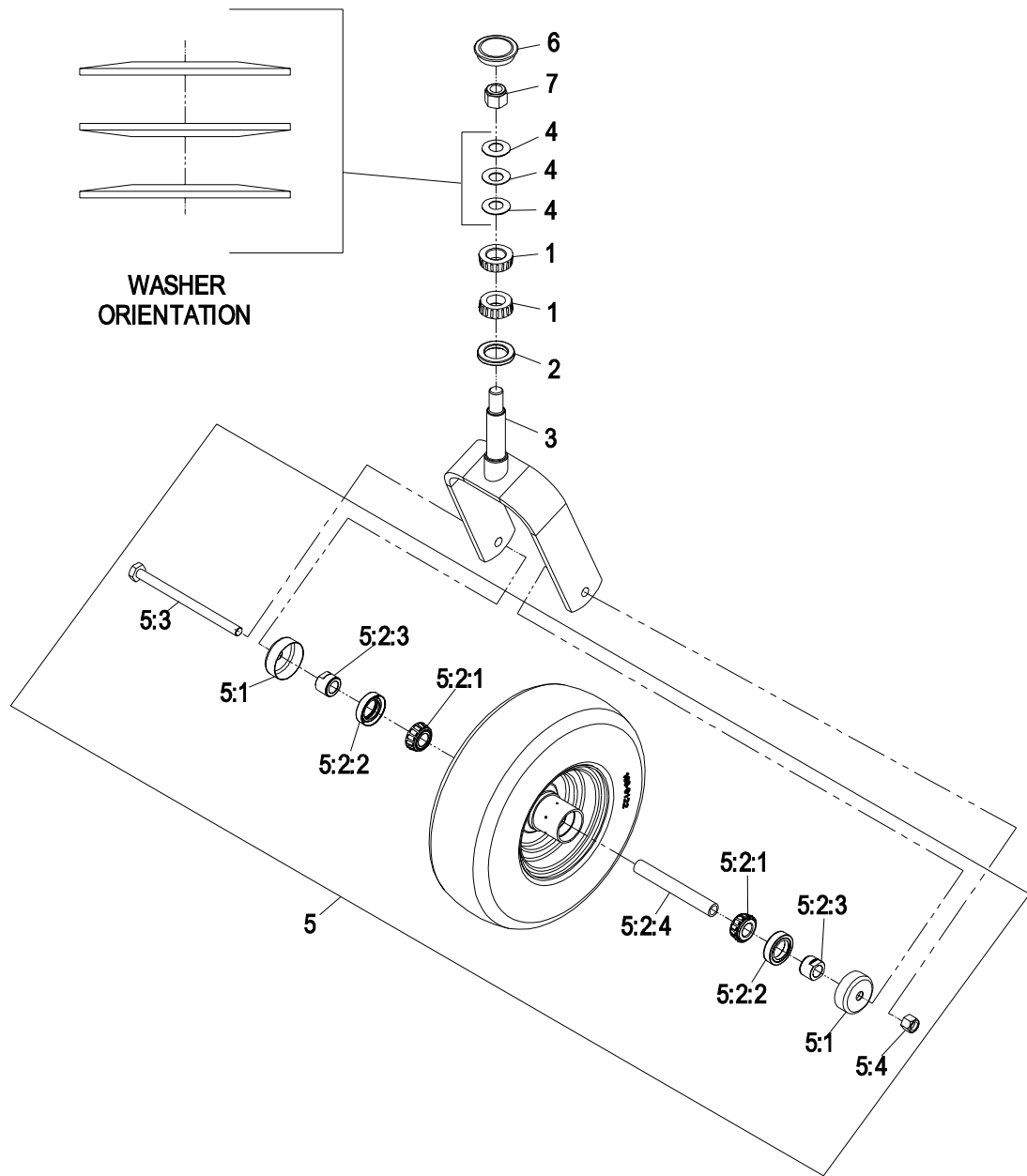
ROPS ASSEMBLY – 116-0230



Item	Part No.	Description	Qty.
3	109-6653	Spacer	2
4	116-0019	Asm, Rops Upper W/Decal	1
4:2	107-2102	Decal, Warning, Folding Rops	1
5	109-5337	Bumper, Rops	2
6	116-0104	Asm, Spring Pin	2
7	99-5107	Nut, Lock 1/2-13	6

Item	Part No.	Description	Qty.
8	3233-10	Bolt, Carriage 1/2-13 x 3 1/2	2
9	325-17	Screw, HH 1/2-13 x 4	4
10	1-513435	Washer, Spring Disc 1/2	4
11	109-9233	Bumper, Rubber Push-In	1
12	116-0090	Decal, Caution Fuel Vent	1
13	116-0960	Spacer	2

CASTER WHEEL ASSEMBLY – 48” & 52”



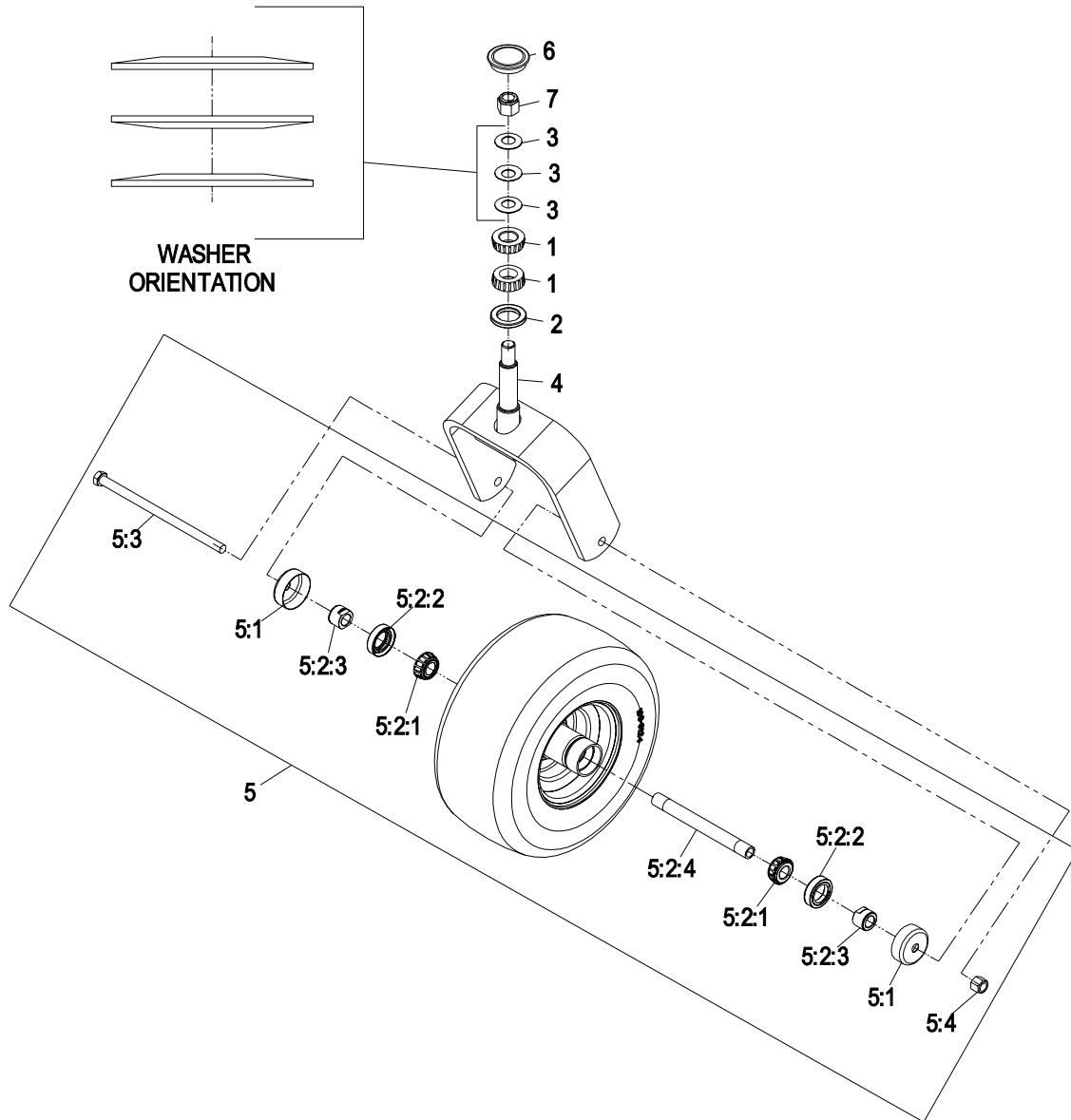
Item	Part No.	Description	Qty.
1	1-543509	Cone, Bearing Tapered Roller	2
2	1-543511	Seal, Grease	1
3	116-1092-01	Wld, Caster Fork	1
4	1-633508	Washer, Spring Disc.....	3
5	109-9126	Asm, Wheel And Tire W/Axle	1
5:1	103-2768	Guard, Seal	2
5:2:1	1-633585	Bearing, Cone Tapered Roller	2

Item	Part No.	Description	Qty.
5:2:2	103-0063	Seal, Double Lip.....	2
5:2:3▲	103-3051	Spacer, Nut	2
5:2:4	103-3155	Axle, Caster.....	1
5:3	325-42	Screw, HH 1/2-13 x 8	1
5:4	3296-23	Nut, Nyloc 1/2-13	1
6	103-4882	Cap-Grease.....	1
7	3296-51	Nut, Nyloc 3/4-10	1

Exmark red touch up paint (spray paint – P/N 1-850337 - .6 oz liquid bottle – P/N 103-9140).

▲ Use Pro-Lock, Nut Type (P/N 1-840022, .5ml tube) on spacer nut, item 5:2:3.

CASTER WHEEL ASSEMBLY – 60” & 72”



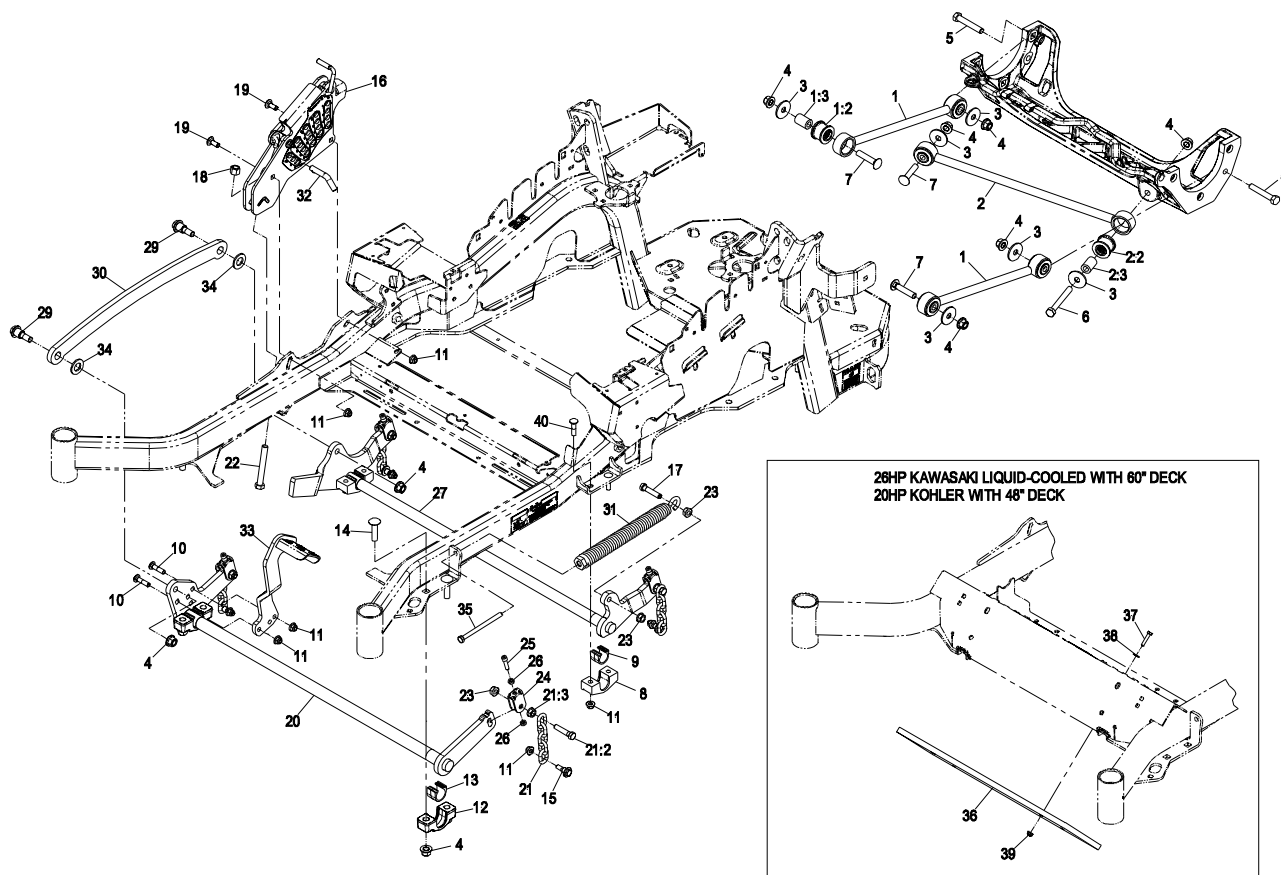
Item	Part No.	Description	Qty.
1	1-543509	Cone, Bearing Tapered Roller	2
2	1-543511	Seal, Grease	1
3	1-633508	Washer, Spring Disc.....	3
4	103-1474-01	Fork-Caster	1
5	109-9127	Asm, Wheel And Tire W/Axle	1
5:1	103-2768	Guard, Seal	2
5:2:1	1-633585	Bearing, Cone Tapered Roller	2

Item	Part No.	Description	Qty.
5:2:2	103-0063	Seal, Double Lip.....	2
5:2:3▲	103-3051	Spacer, Nut	2
5:2:4	103-5156	Axle, Caster.....	1
5:3	325-39	Screw, HH 1/2-13 x 9 1/2	1
5:4	3296-23	Nut, Nyloc 1/2-13	1
6	103-4882	Cap-Grease.....	1
7	3296-51	Nut, Nyloc 3/4-10	1

Exmark red touch up paint (spray paint – P/N 1-850337 - .6 oz liquid bottle – P/N 103-9140).

▲ Use Pro-Lock, Nut Type (P/N 1-840022, .5ml tube) on spacer nut, item 5:2:3.

DECK SUPPORT GROUP

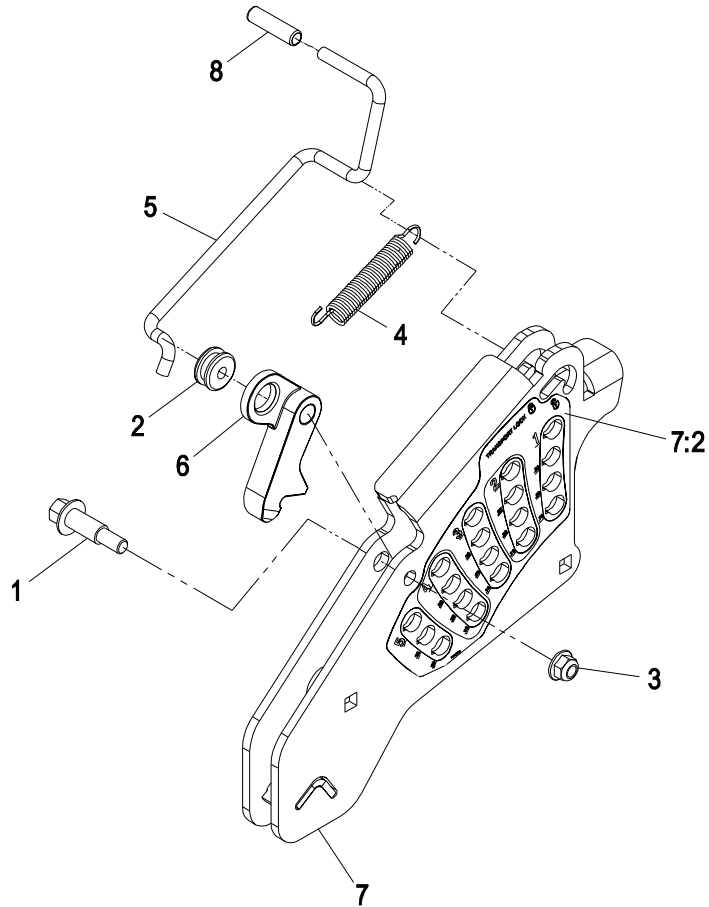


Item	Part No.	Description	Qty.
1	109-7952	Asm, Deck Strut.....	2
1:2	109-5009	Bushing-Suspension, Rubber.....	2
1:3	109-5010	Spacer	2
2	109-5013	Asm, Panhard Rod.....	1
2:2	109-5009	Bushing-Suspension, Rubber.....	2
2:3	109-5010	Spacer	2
3	86-1990	Washer	6
4	99-5107	Nut, Lock 1/2-13	12
5	325-12	Screw, HH 1/2-13 x 3	2
6	325-17	Screw, HH 1/2-13 x 4	1
7	3233-34	Bolt, Carriage 1/2-13 x 2 1/2	3
8	116-0818-03	Housing, Bearing	2
9	109-7173	Liner, Bearing	2
10	3231-4	Bolt, Carriage 3/8-16 x 1 1/2	2
11	104-8301	Nut, Nyloc 3/8-16 Flg	12
12	109-9409	Support, Bearing Cross Shaft Front	2
13	109-9410	Liner, Bearing	2
14	9002719	Screw, Carriage 1/2-13 x 2.....	4
15	109-9840	Screw, Hex Flange 3/8-16 x .80	4
16	109-7438	Asm, Height Of Cut.....	1
17	109-9065	Screw, HH 7/16-14 X 2	1
18	3296-23	Nut, Nyloc 1/2-13.....	1

Item	Part No.	Description	Qty.
19	3231-2	Bolt, Carriage 3/8-16 x 1	2
20	116-0465-03	Wld, Deck Lift Front.....	1
21	116-0756	Asm, Deck Lift Chain	4
22	116-0559	Bolt, 1/2-13 x 4	1
23	32128-37	Nut, Whizlock 7/16-14	6
24	109-9066	Yoke, Deck Adjust	4
25	3274-18	Screw, SH 5/16-18 x 1 1/4	4
26	3218-2	Nut, Jam 5/16-18	8
27	116-0459-03	Wld, Deck Lift Rear.....	1
29	116-0780	Screw, Shoulder HHF 1/2-13 x 1.12.....	2
30	116-0797-03	Link, Deck Lift As.....	1
31	116-0000	Asm, Extension Spring (60" & 72").....	1
	116-0886	Asm, Extension Spring (48" & 52").....	1
32	109-8757	Pin, Hoc.....	1
33	109-9071-01	Wld, Foot Lever	1
34	3256-28	Washer, 3/4 SAE.....	2
35	323-58	Bolt, HH 3/8-16 x 6 Tap	1
36	116-0827-01	Weight, Toe Board.....	1
37	321-8	Screw, HH 1/4-20 x 1 1/4.....	4
38	3256-22	Washer, 1/4 SAE.....	4
39	104-7201	Nut, Nyloc 1/4-20 Flg	4
40	3231-5	Bolt, Carriage 3/8-16 x 1 3/4	4

Exmark red touch up paint (spray paint – P/N 1-850337 - .6 oz liquid bottle – P/N 103-9140)

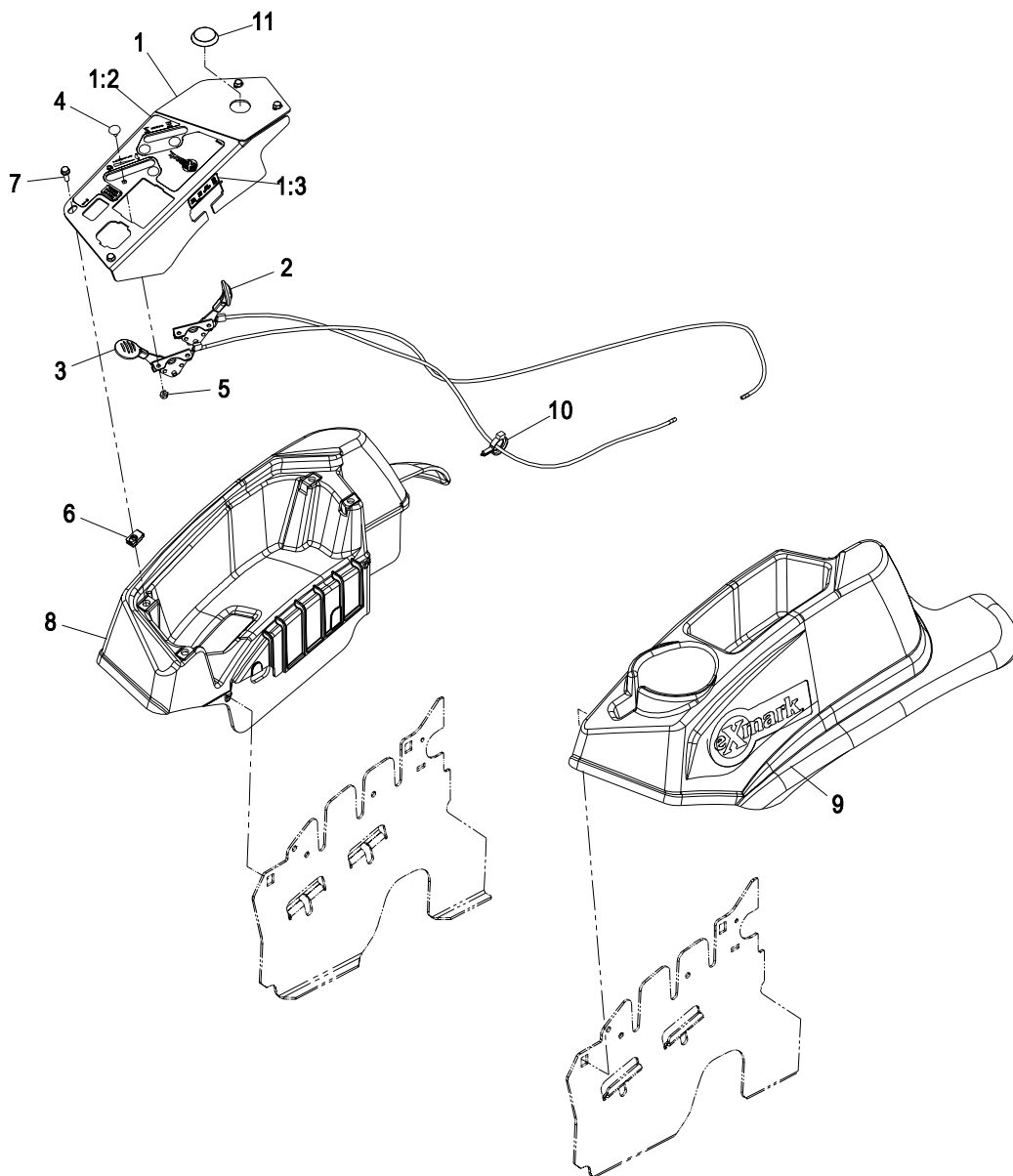
HEIGHT OF CUT ASSEMBLY – 109-7438



Item	Part No.	Description	Qty.
1	62-1330	Bolt-Shoulder	1
2	109-7130	Grommet.....	1
3	104-8301	Nut, Nyloc 3/8-16 Flg	1
4	109-7124	Spring, Extension.....	1
5	109-7128	Rod, Transport Lock	1

Item	Part No.	Description	Qty.
6	116-0118	Pawl, Transfer Lock.....	1
7	109-7335	Asm, Hoc Plate W/Decal	1
7:2	116-0752	Decal, Cut Of Height.....	1
8	109-8250	Grip, Lever.....	1

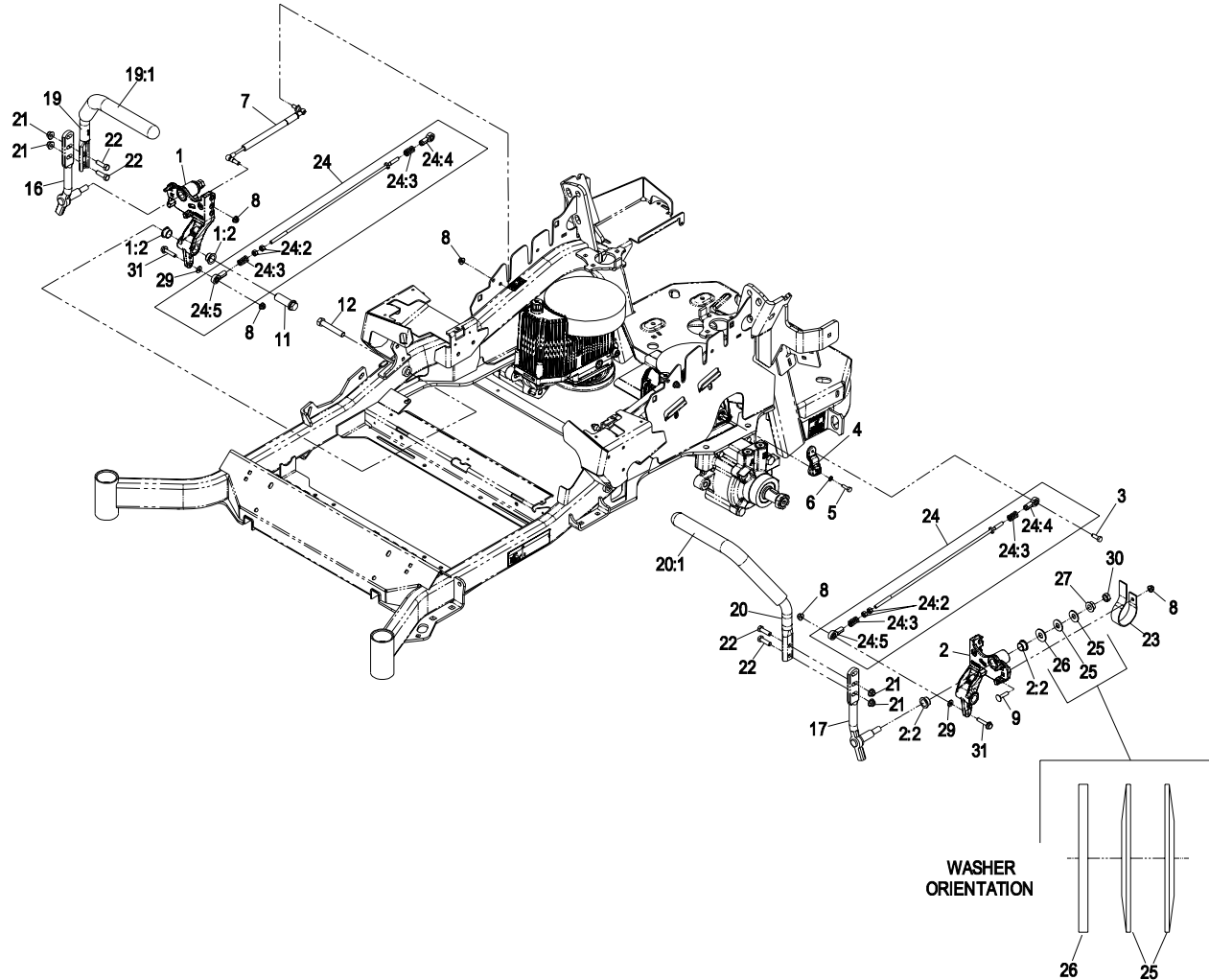
CONTROLS GROUP



Item	Part No.	Description	Qty.
1	109-8484	Console, Panel W/Decal	
		W/Decal (All Units Except 26HP Kaw) ...	1
	109-9454	Console, Panel W/Decal (26HP Kaw)	1
1:2	109-8483	Decal, Control Panel	1
1:3	109-7330	Decal, Fuse.....	1
2	109-8165	Asm, Choke Cable W/Decal	
		(All Units Except 26 & 29 HP Kaw)	1
	109-8167	Asm, Choke Cable	
		(26 & 29HP Kawasaki).....	1

Item	Part No.	Description	Qty.
3	116-0969	Asm, Throttle Cable.....	1
4	1-807513	Bolt, Carriage #10-24 x 1/2	4
5	3296-2	Nut, Nyloc #10-24	4
7	32105-15	Screw, Machine 1/4-20 x 3/4.....	4
8	116-1278	Console, RH Narrow Asm	1
9	109-9457	Console.LH Narrow Asm	1
10	105-1853	Clamp, Hose.....	1
11	109-9445	Plug, Plastic.....	1

MOTION CONTROL GROUP

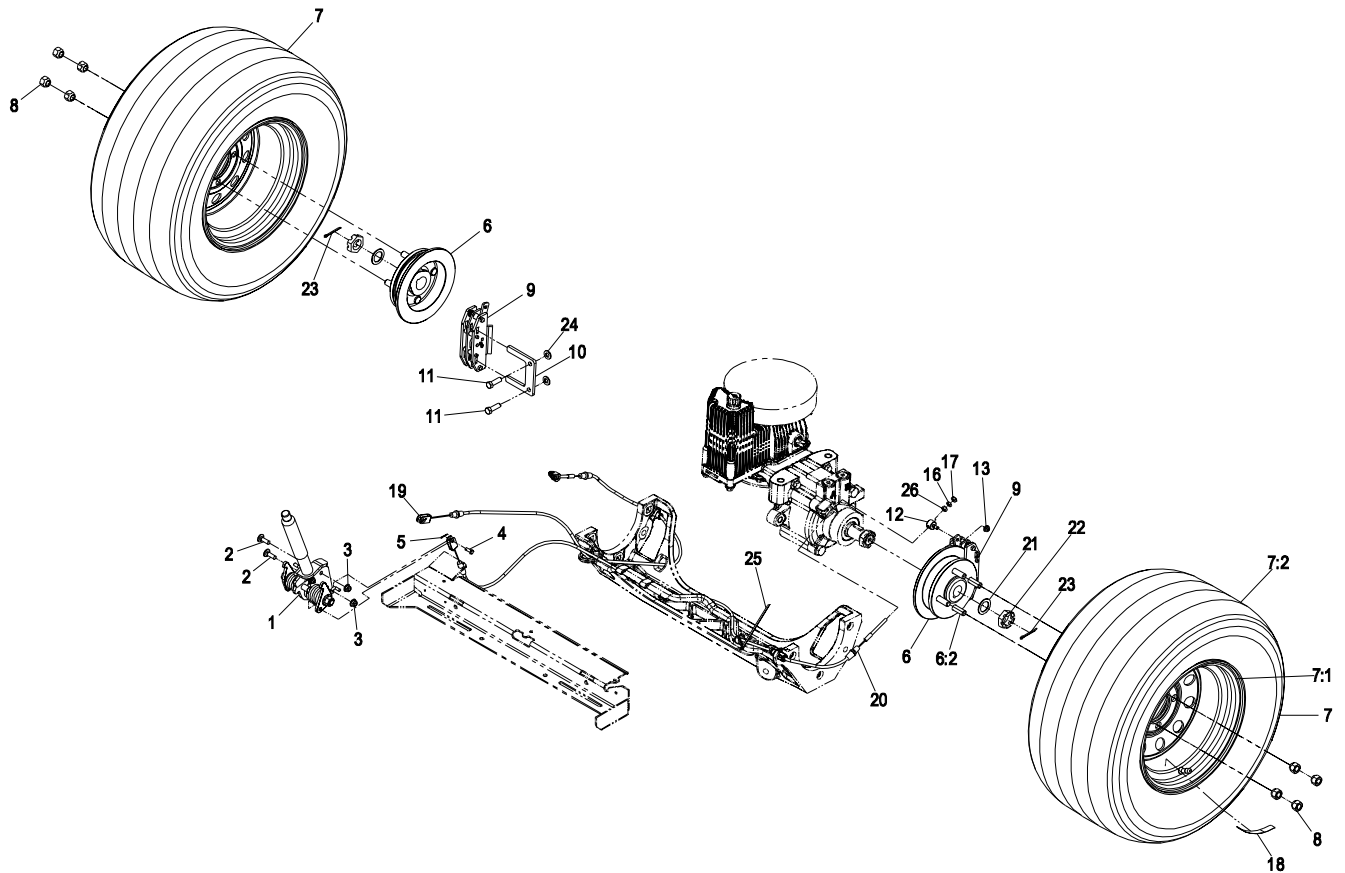


Item	Part No.	Description	Qty.
1	116-0880	Asm, Mot Ctrl/Bushing RH	1
1:2	109-8054	Bushing, Flanged	4
2	116-0881	Asm, Mot Ctrl/Bushing LH	1
2:2	109-8054	Bushing, Flanged	4
3▲	116-0648	Screw, HH 5/16-18 x 1 W/Patch	2
4	109-4581	Arm, Pump Control	2
5▲	9080046	Screw, HH 1/4-20 x 7/8	2
6	1-303435	Washer, Spring Disc 1/4	2
7	116-0027	Damper, Motion Control	2
8	104-8300	Nut, Nyloc 5/16-18 Flg	8
9	3230-2	Bolt, Carriage 5/16-18 x 1	2
11	109-5891	Hub, Threaded	2
12	325-12	Screw, HH 1/2-13 x 3	2
16	116-0039	Lever, Motion Control RH	1
17	116-0040	Lever, Motion Control LH	1
19	109-6589	Asm, Steering Handle RH	1
19:1	109-5668	Grip, Control Lever	1

Item	Part No.	Description	Qty.
20	109-6590	Asm, Steering Handle LH	1
20:1	109-5668	Grip, Control Lever	1
21	104-8301	Nut, Nyloc 3/8-16 Flg	4
22	323-7	Screw, HH 3/8-16 x 1 1/4	4
23	109-5575	Spring, Leaf Rtn	2
24	109-8106	Asm, Pump Linkage Front (60" & 72")	2
	109-8107	Asm, Pump Linkage Rear (48" & 52")	2
24:2	3219-2	Nut, Hex 5/16-24	2
24:3	1-323245	Spring, Compression	2
24:4	1-633152	Balljoint	1
24:5	1-543017	Balljoint	1
25	109-9505	Washer, Spring Disc 1/2	4
26	3256-6	Washer	2
27	32128-56	Nut, Hex 1/2-13 Flange	2
29	3256-23	Washer	2
30	3218-5	Nut, Jam 1/2-13	2
31	115-1794	Screw, Hex Flange 5/16-18 x 1 1/2	2

▲ Use Pro-Lock, Nut Type (P/N 1-840022, .5ml tube).

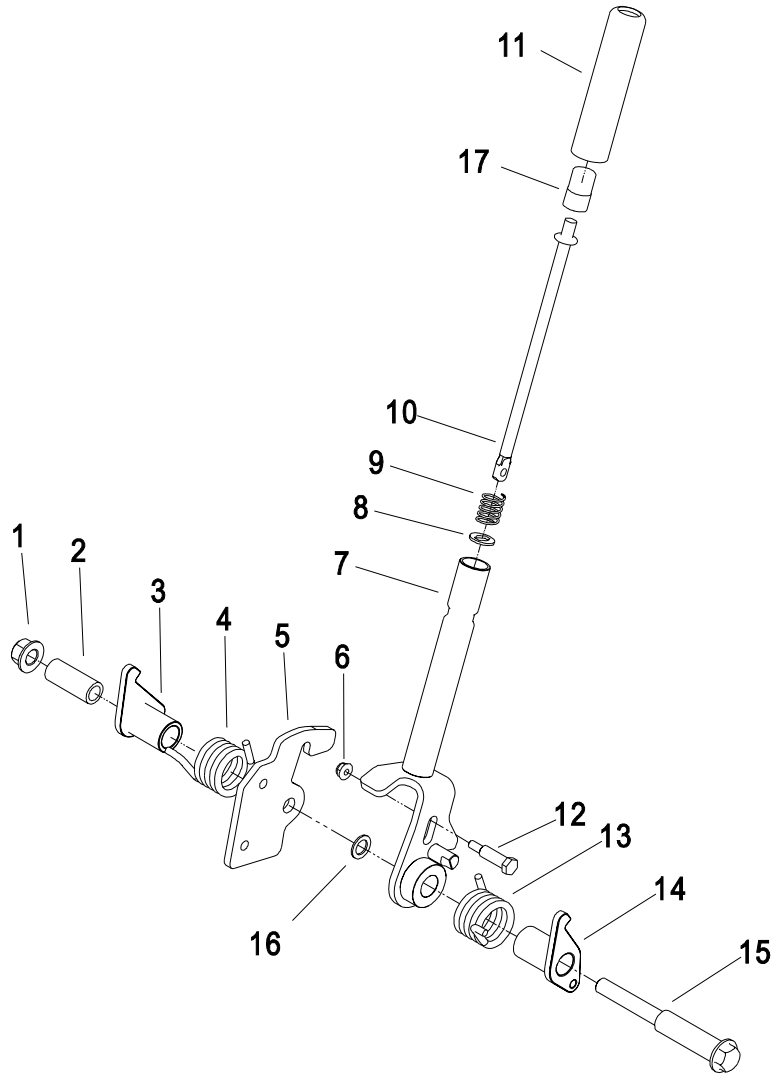
PARK BRAKE GROUP



Item	Part No.	Description	Qty.
1	117-0383	Asm, Brake Handle.....	1
2	3230-2	Bolt, Carriage 5/16-18 x 1.....	2
3	104-8300	Nut, Nyloc 5/16-18 Flg.....	2
4	60-1730	Pin-Clevis.....	2
5	3272-1	Pin, Cotter 1/16 x 1/2.....	2
6	117-6163	Wheel Hub And Stud Asm.....	2
6:2	1-633926	Stud-Wheel.....	4
7	115-3590	Asm, Wheel & Tire (48").....	2
	115-3589	Asm, Wheel & Tire (52").....	2
	115-3588	Asm, Wheel & Tire (60").....	2
	109-8972	Asm, Wheel & Tire (72").....	2
7:1	109-3645	Wheel (48").....	1
	109-2875	Wheel (52").....	1
	109-2871	Wheel (60").....	1
	109-3156	Wheel (72").....	1
7:2	1-653160	Tire (48" & 52").....	1
	1-633993	Tire (60" & 72").....	1

Item	Part No.	Description	Qty.
8	242-50	Nut, Lug 1/2-20.....	8
9	109-2889	Caliper-Brake.....	2
10	109-0958	Plate, Brake Mount.....	2
11	323-7	Screw, HH 3/8-16 x 1 1/4.....	4
12	112-8379	Swivel.....	2
13	104-7201	Nut, Nyloc 1/4-20 Flg.....	2
16	3220-1	Nut, Jam 1/4-28.....	2
17	3296-13	Nut, Nyloc 1/4-28.....	2
18	116-0165	Decal, Wheel Hub, Slotted Nut.....	2
19	115-3584	Cable.....	1
20	115-3585	Cable.....	1
21	1-523157	Washer.....	2
22	1-809036	Nut, Slotted 1-20.....	2
23	1-806800	Pin, Cotter 9/64 x 1 1/2.....	2
24	3256-24	Washer, 3/8 SAE.....	4
25	116-0940	Tie.....	2
26	3219-1	Nut, Hex 1/4-28.....	2

BRAKE HANDLE ASSEMBLY – 117-0383

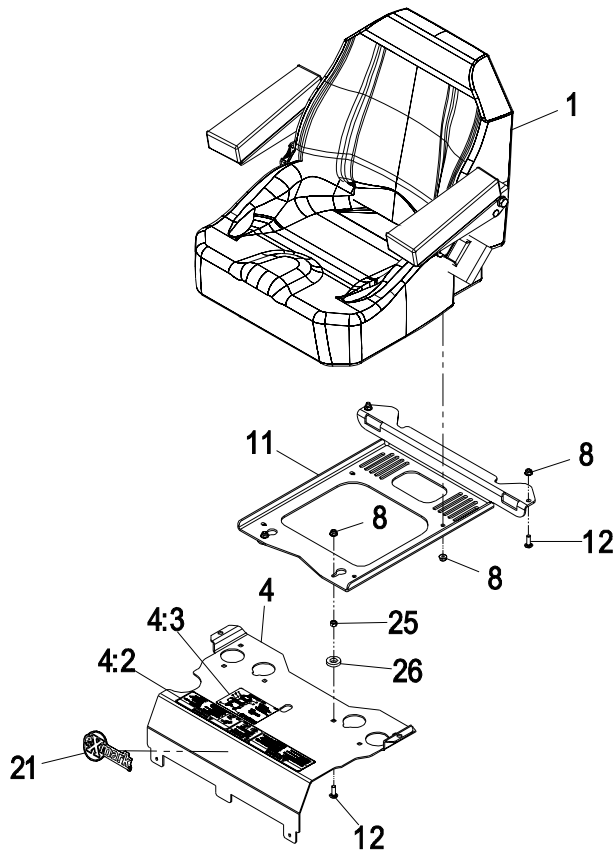


Item	Part No.	Description	Qty.
1	99-5107	Nut, Lock 1/2-13	1
2	117-0380	Spacer	1
3	115-3580	Arm, Brake LH	1
4	117-0376	Spring Torsion RH	1
5	115-3574	Plate-Latch.....	1
6	104-7201	Nut, Nyloc 1/4-20 Flg	1
7	117-0382-03	Brake Handle Asm	1
8	114-1207	Washer, Special.....	1
9	114-8187	Spring-Compression	1

Item	Part No.	Description	Qty.
10	115-3581	Rod-Brake Release	1
11	115-3592	Grip 1.0 In.....	1
12	112-8387	Bolt, HH Shoulder 1/4-20 x 1.64	1
13	117-0375	Spring Torsion LH.....	1
14	115-3579	Arm, Brake RH	1
15	117-0379	Bolt, Shoulder 1/2-13 x 5.57	1
16	117-0378	Washer.....	1
17	115-2750	Knob.....	1

Exmark black touch up spray paint – gloss black.

SEAT GROUP

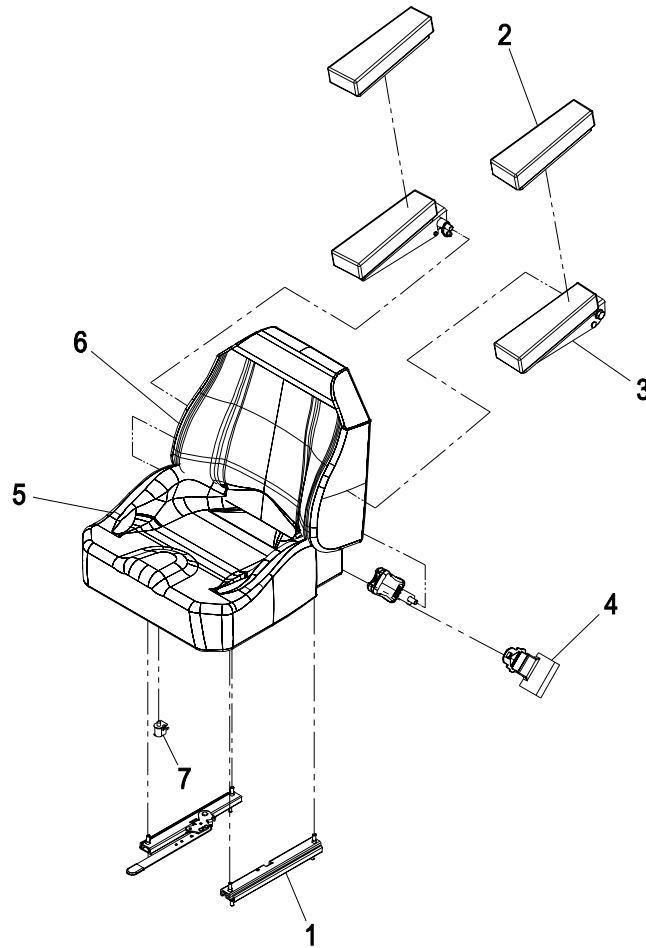


Item	Part No.	Description	Qty.
1	116-0852	Seat, Exmark	1
4	109-9036	Mount, Seat W/Decals	1
8	104-8300	Nut, Nyloc 5/16-18 Flg	8
11	116-0192-03	Plate, Seat Support	1

Item	Part No.	Description	Qty.
12	3230-22	Bolt, Carriage 5/16-18 x 1 Sp.....	4
21	103-2883	Decal, Exmark Logo	1
25	3217-6	Nut, Hex 5/16-18.....	2
26	1-323539	Spacer, Blade Drive.....	2

Exmark black touch up spray paint – gloss black

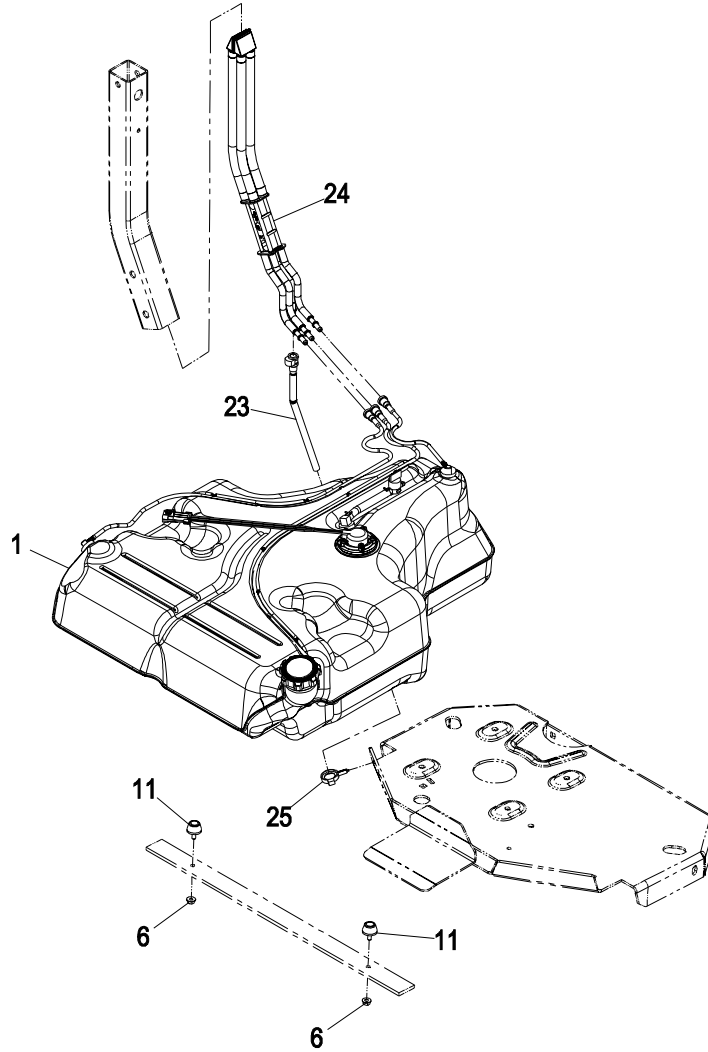
SEAT W/TRACKS ASSEMBLY – 116-0037



Item	Part No.	Description	Qty.
1	109-9801	Set, Seat Track.....	1
2	109-9813	Set, Arm Rest Pads	1
3	109-9804	Kit, Arm Rest Set	1
4	109-9805	Kit, Seat Belt W/Long Buckle.....	1

Item	Part No.	Description	Qty.
5	109-9818	Cover, Cushion	1
6	109-9809	Cover, Back	1
7	82-2190	Switch.....	1

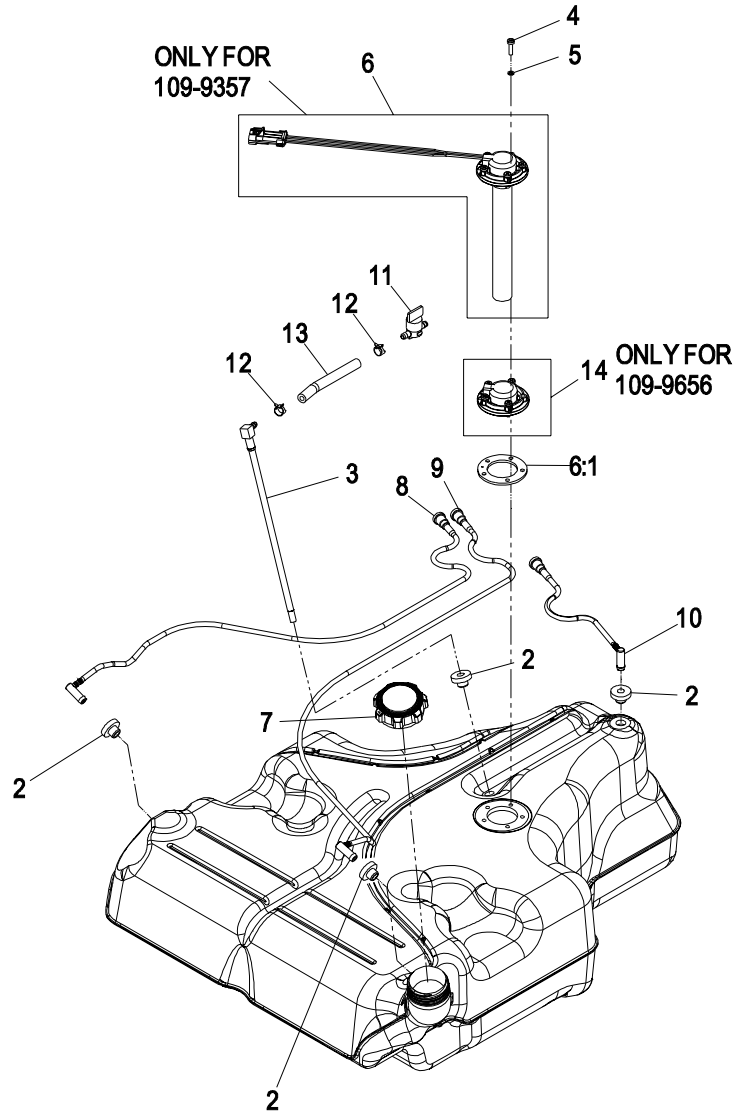
FUEL TANK GROUP



Item	Part No.	Description	Qty.
1	109-9357	Asm, Fuel Tank.....	1
	109-9656	Asm, Fuel Tank W/O Sender	1
6	32128-33	Nut, Whizlock 1/4-20.....	2
11	109-2365	Bumper-Rubber (W/Stud)	2

Item	Part No.	Description	Qty.
23	109-9450	Tube, Fuel Vent Drain.....	1
24	109-9491	Asm, Fuel Manifold Vent.....	1
25	105-1853	Clamp, Hose.....	1

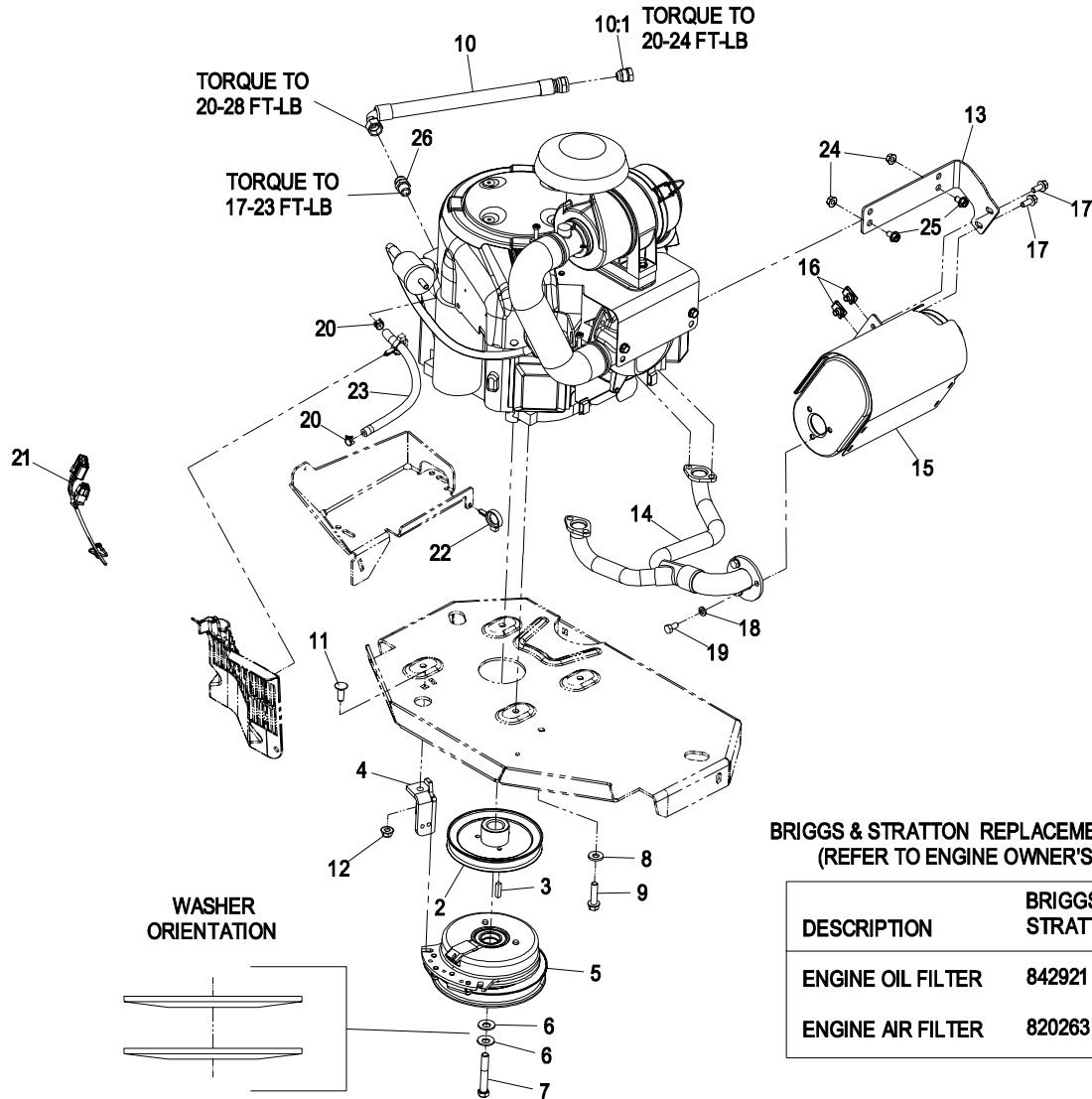
FUEL TANK ASSEMBLY – 109-9357 & 109-9656



Item	Part No.	Description	Qty.
2	46-6560	Bushing.....	4
3	109-9364	Fitting, Fuel W/Line And Screen	1
4	9107944	Screw-Pan	5
5	3253-17	Washer, Lock 3/16.....	5
6	116-0003	Sender, Fuel Level W/Gasket & Tube (109-9357 only).....	1
6:1	109-9620	Gasket	1
7	109-9619	Cap, Fuel	1

Item	Part No.	Description	Qty.
8	109-9447	Tube, RH Vent.....	1
9	109-9448	Tube, LH Vent	1
10	109-9449	Tube, Rear Vent	1
11	1-603770	Valve, Fuel	1
12	2412-98	Clamp, Hose.....	2
13	109-0650	Hose-Fuel.....	1
14	109-9678	Cover, Plastic Fuel Tank (109-9656 only).....	1

ENGINE GROUP – 20HP BRIGGS & STRATTON



BRIGGS & STRATTON REPLACEMENT PARTS LIST (REFER TO ENGINE OWNER'S MANUAL)

DESCRIPTION	BRIGGS & STRATTON PART
ENGINE OIL FILTER	842921
ENGINE AIR FILTER	820263

Item	Part No.	Description	Qty.
2	116-0993	Sheave, W/Hub.....	1
3	1-807259	Key, Machine 1/4 x 1/4 x 1.....	1
4	109-8138-01	Anchor, Clutch.....	1
5	109-9155	Clutch.....	1
6	1-603610	Washer, Spring Disc 7/16.....	2
7▲	116-1066	Screw, HH 7/16-20 x 2 3/4 W/Loctite.....	1
8	98-5975	Washer, Spring Disc 3/8.....	4
9	32144-102	Screw, HWH 3/8-16 X 1 1/2 Taptite.....	4
10	116-1447	Asm, Hose Oil Drain W/Plug.....	1
10:1	109-1012	Plug.....	1
11	3231-22	Bolt, Carriage 3/8-16 x 1.....	1
12	104-8301	Nut, Nyloc 3/8-16 Flg.....	1
13	116-1005	Bracket, Muffler.....	1

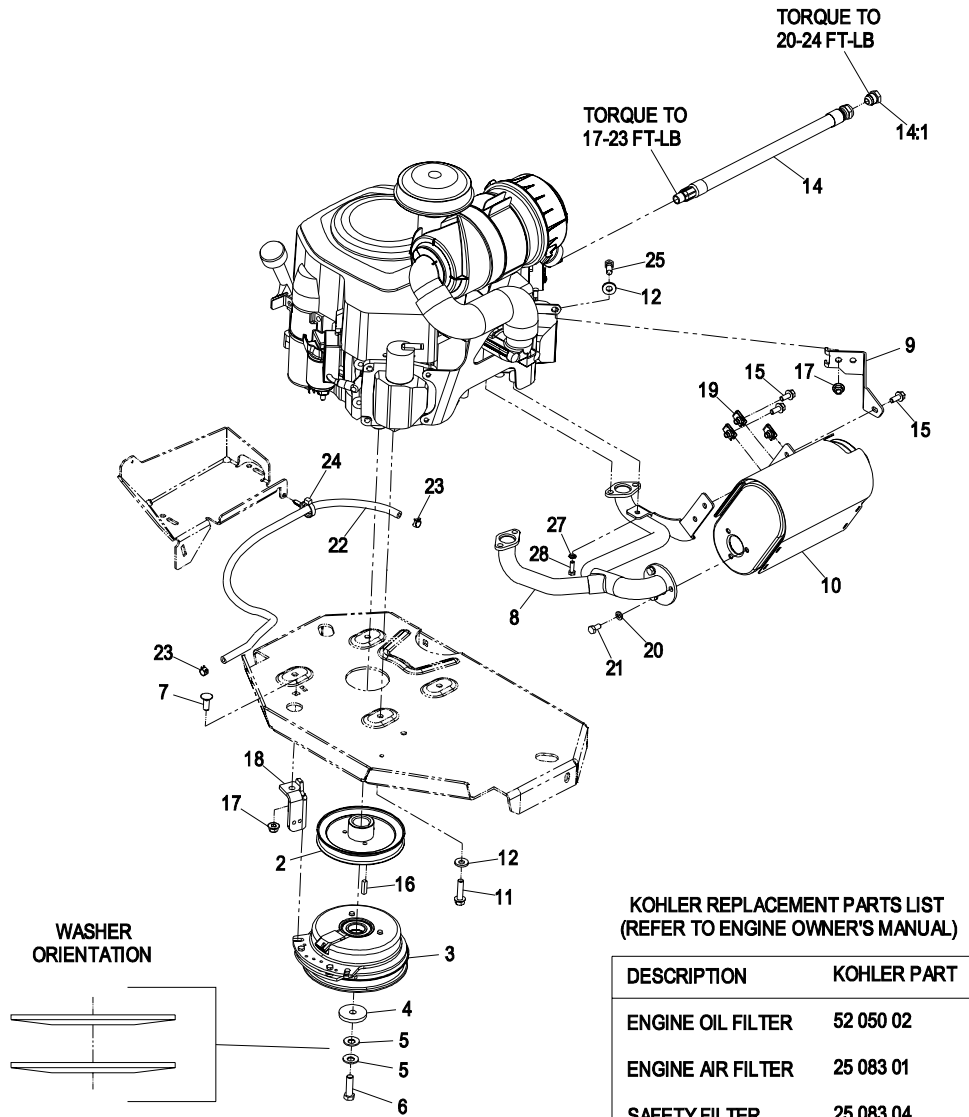
Item	Part No.	Description	Qty.
14	116-1004	Manifold, Exhaust.....	1
15	109-9280	Muffler.....	1
16	94-2413	U-Nut 5/16-18.....	2
17	3234-5	Screw, HH FLG 5/16-18 x 3/4.....	2
18	3253-4	Washer, Lock 5/16.....	3
19	322-2	Screw, HH 5/16-18 x 5/8.....	3
20	2412-98	Clamp, Hose.....	2
21	116-1020	Asm, Design Harness.....	1
22	105-1853	Clamp-Hose, Hydro.....	1
23	109-0293	Hose, Fuel 8 1/2".....	1
24	32128-20	Nut, Whizlock 5/16-18.....	2
25	3234-28	Screw, HH FLG 5/16-18 x 1/2.....	2
26+	116-1455	Fitting, Straight.....	1

Exmark red touch up paint (spray paint – P/N 1-850337 - .6 oz liquid bottle – P/N 103-9140)

+ Use Teflon Pipe Sealant or equivalent on threads.

▲ Use Pro-Lock, Nut Type (P/N 1-840022, .5ml tube) on clutch bolt.

ENGINE GROUP – 20-27HP KOHLER



Item	Part No.	Description	Qty.
2	109-9905	Sheave, W/Hub 23,25 and 27 HP	1
	116-0993	Sheave, W/Hub 20 HP	1
3	109-9282	Clutch, CMS-200 23,25 and 27 HP	1
	109-9155	Clutch, CMS-175 20 HP	1
4	109-6919	Washer, Clutch	1
5	1-603610	Washer, Spring Disc 7/16	2
6▲	109-9761	Screw, HH 23,25 and 27 HP	1
	116-1066	Screw, HH 20HP	1
7	3231-22	Bolt, Carriage 3/8-16 x 1	1
8	116-0807	Manifold, Exhaust	1
9	109-9230	Bracket, Muffler.....	1
10	109-9280	Muffler.....	1
11	32144-102	Screw, HWH 3/8-16 X 1 1/2 Taptite	4
12	98-5975	Washer, Spring Disc 3/8	5
14+	116-0013	Asm, Oil Drain Hose With Plug	1
14:1	109-1012	Plug	1

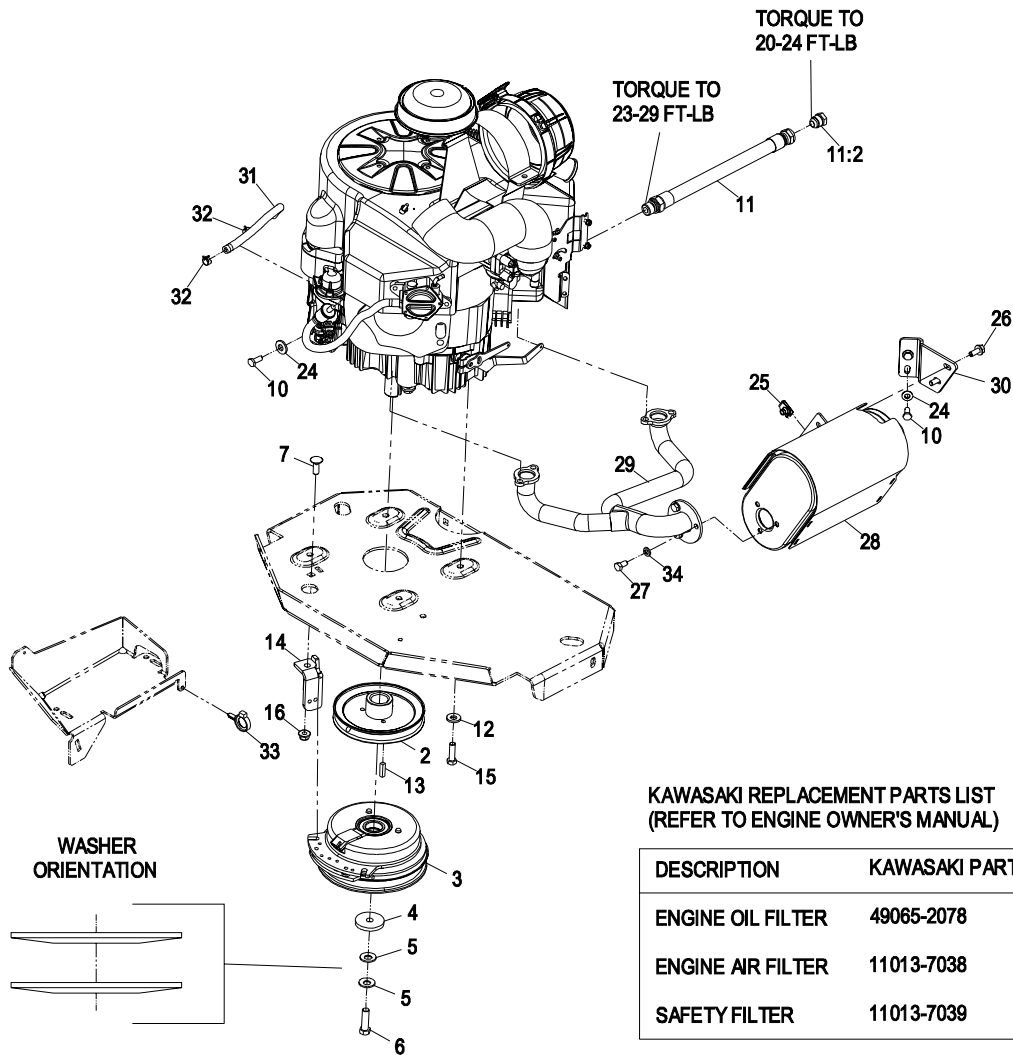
Item	Part No.	Description	Qty.
15	3234-5	Screw, HH FLG 5/16-18 x 3/4	3
16	1-807259	Key, Machine 1/4 x 1/4 x 1.....	1
17	104-8301	Nut, Nyloc 3/8-16 Fig.....	2
18	109-8138-01	Anchor, Clutch.....	1
19	94-2413	U-Nut.....	3
20	3253-4	Washer, Lock 5/16.....	3
21	322-2	Screw, HH 5/16-18 x 5/8.....	3
22	109-0286	Hose, Fuel Line 35"	1
23	2412-98	Clamp, Hose.....	2
24	105-1853	Clamp, Hose.....	1
25	323-5	Screw, HH 3/8-16 X 7/8	1
27	1-303435	Washer, Spring Disc 1/4.....	1
28	33113-020	Screw, HH M6-1 x 12mm.....	1

Exmark red touch up paint (spray paint – P/N 1-850337 - .6 oz liquid bottle – P/N 103-9140)

✚ Use Teflon Pipe Sealant or equivalent on threads.

▲ Use Pro-Lock, Nut Type (P/N 1-840022, .5ml tube) on clutch bolt.

ENGINE GROUP – 29HP KAWASAKI



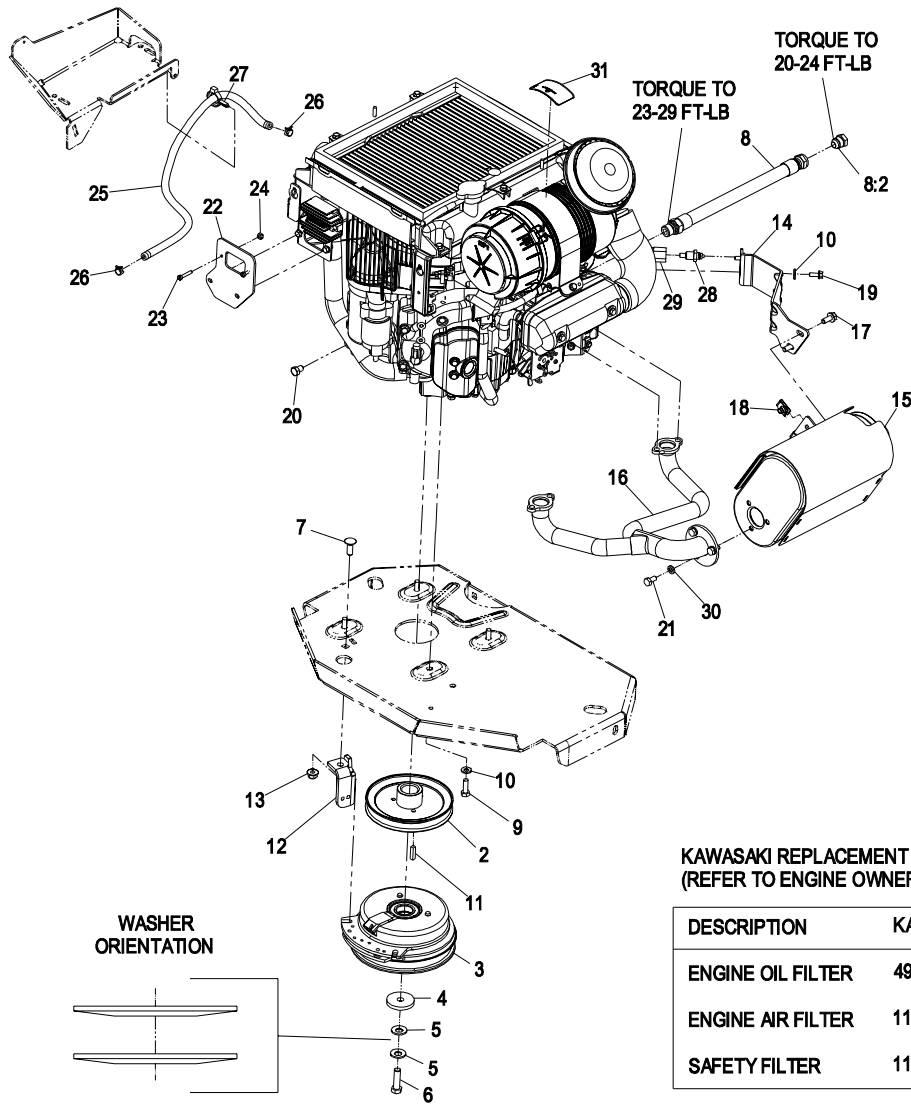
Item	Part No.	Description	Qty.
2	109-9905	Sheave, W/Hub.....	1
3	109-9282	Clutch, CMS-200 W/Spot Brake.....	1
4	109-6919	Washer, Clutch.....	1
5	1-603610	Washer, Spring Disc 7/16.....	2
6▲	109-9761	Screw, HH 7/16-20 x 1 1/2 W/Loctite.....	1
7	3231-22	Bolt, Carriage 3/8-16 x 1.....	1
10	33114-020	Screw, HH M8-1.25 x 20mm.....	3
11	109-4490	Asm, Hose-Oil Drain W/Plug.....	1
11:2	109-1012	Plug.....	1
12	98-5975	Washer, Spring Disc 3/8.....	4
13	1-807259	Key, Machine 1/4 x 1/4 x 1.....	1
14	109-8138-01	Anchor, Clutch.....	1
15	323-7	Screw, HH 3/8-16 x 1 1/4.....	4

Item	Part No.	Description	Qty.
16	104-8301	Nut, Nyloc 3/8-16 Flg.....	1
24	1-303334	Washer, Spring Disc 5/16.....	3
25	94-2413	U-Nut.....	2
26	3234-5	Screw, HH FLG 5/16-18 x 3/4.....	2
27	322-2	Screw, HH 5/16-18 x 5/8.....	3
28	109-9280	Muffler, Small Engine.....	1
29	109-9250	Manifold, Exhaust.....	1
30	116-0203	Bracket, Muffler.....	1
31	109-0296	Hose, Fuel Line 15".....	1
32	2412-98	Clamp, Hose.....	2
33	105-1853	Clamp, Hose.....	1
34	3253-4	Washer, Lock 5/16.....	3

Exmark red touch up paint (spray paint – P/N 1-850337 - .6 oz liquid bottle – P/N 103-9140)

▲ Use Pro-Lock, Nut Type (P/N 1-840022, .5ml tube) on clutch bolt.

ENGINE GROUP – 26HP KAWASAKI LIQUID-COOLED



Item	Part No.	Description	Qty.
2	109-9905	Sheave, W/Hub.....	1
3	109-9282	Clutch, CMS-200 W/Spot Brake.....	1
4	109-6919	Washer, Clutch.....	1
5	1-603610	Washer, Spring Disc 7/16.....	2
6▲	109-9761	Screw, HH 7/16-20 x 1 1/2 W/Loctite.....	1
7	3231-22	Bolt, Carriage 3/8-16 x 1.....	1
8	109-4490	Asm, Hose-Oil Drain W/Plug.....	1
8:2	109-1012	Plug.....	1
9	33114-025	Screw, HH M8-1.25 x 25mm.....	4
10	1-303334	Washer, Spring Disc 5/16.....	6
11	1-807259	Key, Machine 1/4 x 1/4 x 1.....	1
12	109-8138-01	Anchor, Clutch.....	1
13	104-8301	Nut, Nyloc 3/8-16 Flg.....	1
14	109-9219	Bracket, Muffler.....	1
15	109-9280	Muffler.....	1
16	109-9216	Manifold, Exhaust.....	1

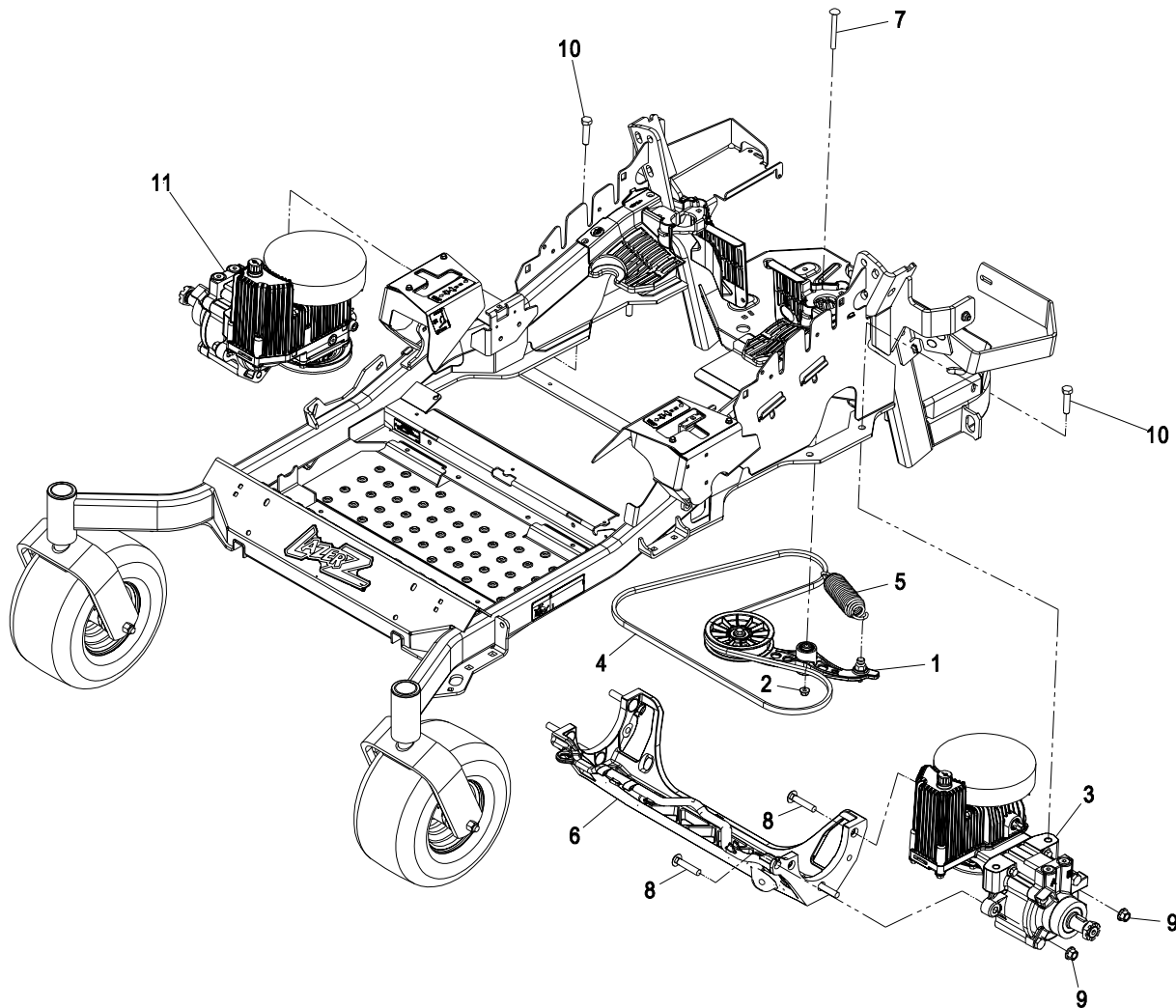
Item	Part No.	Description	Qty.
17	3234-5	Screw, HH FLG 5/16-18 x 3/4.....	2
18	94-2413	U-Nut.....	2
19	33103-016	Screw, HH FLG M6-1 x 16mm.....	2
20	33114-016	Screw, HH M8-1.25 x 16mm.....	1
21	322-2	Screw, HH 5/16-18 x 5/8.....	3
22	109-9194-03	Plate, Rectifier Mount.....	1
23	32105-12	Screw.....	2
24	3296-2	Nut, Nyloc #10-24.....	2
25	109-0284	Hose, Fuel Line 29".....	1
26	2412-98	Clamp, Hose.....	2
27	105-1853	Clamp, Hose.....	1
28	98-9346	Sender-Temperature.....	1
29+	109-9464	Adapter, 3/8-M16.....	1
30	3253-4	Washer, Lock 5/16.....	3
31	116-0906	Decal, Shell DEX-COOL.....	1

Exmark red touch up paint (spray paint – P/N 1-850337 - .6 oz liquid bottle – P/N 103-9140).

Exmark black touch up spray paint – gloss black.)

▲ Use Pro-Lock, Nut Type (P/N 1-840022, .5ml tube) on clutch bolt.

HYDRAULIC GROUP

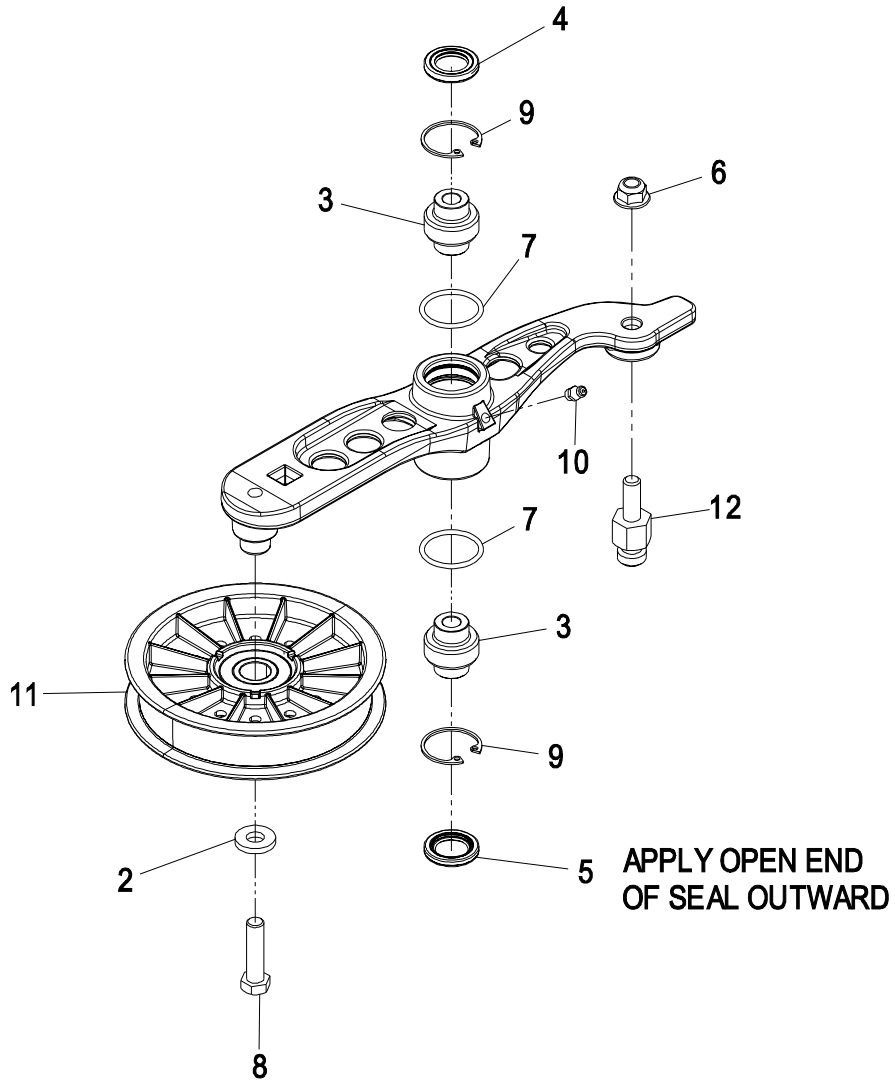


Item	Part No.	Description	Qty.
1	109-2182	Asm, Pump Idler	1
2	109-6658	Nut, Nyloc 3/8-16 Flg	1
3	116-1322	Asm, Hydro LH 12CC W/Check (48" & 52")	1
	116-1324	Asm, Hydro LH 12CC W/Shock (60" & 72")	1
4	109-3388	Belt, V	1
5	116-0133	Spring, Extension	1
6	109-9375	Cradle, Machined Hydro	1
7	3231-41	Bolt-Carriage	1
8	3233-34	Bolt, Carriage 1/2-13 x 2 1/2	6
9	99-5107	Nut, Lock 1/2-13	6
10	325-8	Screw, HH 1/2-13 x 1 1/4	4

Item	Part No.	Description	Qty.
11	116-1323	Asm, Hydro RH 12CC W/Check (48" & 52")	1
	116-1325	Asm Hydro, RH 12CC W/Shock (60" & 72")	1
12+	117-0377	Bracket, Anchor Cable	2
13+	116-0164	Filter, Hydro	2
14+	116-0233	Fan, Hydro	2
15+	116-0234	Pulley, Hydro	2
16+	116-0235	Handle, Hydro Bypass Valve	2
17+	116-0236	Dipstick, Hydro	2
18+	116-0237	Gasket, Hydro Dipstick	2
19+	109-9828	Oil, Exmark Premium Hydro	4

+ Not shown

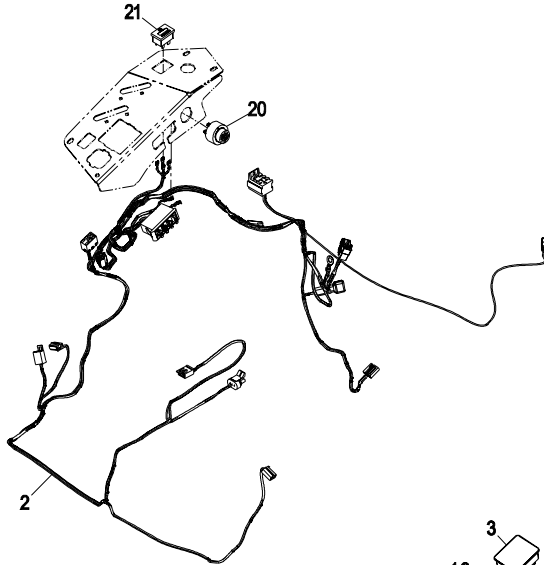
PUMP IDLER ASSEMBLY – 109-2182



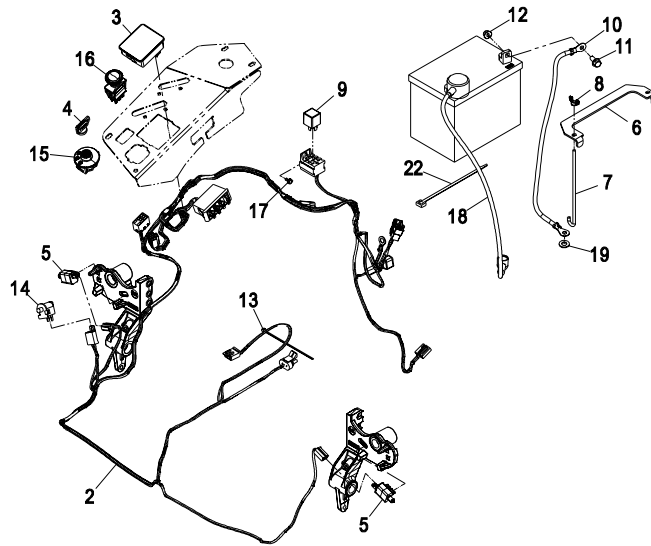
Item	Part No.	Description	Qty.
2	43-0940	Spacer-Hub, Blower	1
3	103-3504	Bearing, Spherical.....	2
4	103-3505	Seal, Double Lip.....	1
5	103-3506	Seal, Single Lip.....	1
6	104-8301	Nut, Nyloc 3/8-16 Flg	1
7	106-7159	O-Ring	2

Item	Part No.	Description	Qty.
8	323-8	Screw, HH 3/8-16 x 1 1/2.....	1
9	32120-10	Ring, Retaining	2
10	302-19	Zerk, 1/4-28 Str.....	1
11	109-8076	Pulley, Idler 5" X 1" Nylon	1
12	109-7399	Pin, Spring Anchor.....	1

ELECTRICAL GROUP



**LIQUID COOLED
WIRE HARNESS**



**AIR COOLED
WIRE HARNESS**

Item	Part No.	Description	Qty.
2▲	115-3869	Harness-Wire, Main (Liquid-Cooled)	1
	115-2796	Harness-Wire, Main (Air-Cooled)	1
2:1	103-3895	Diode-TVS	1
2:2	218-578	Fuse-10 Amp	1
2:3	109355	Fuse-15 Amp	1
2:4	109102	Fuse-25 Amp	2
2:5	116-0053	Cap-Plug.....	1
3	116-0916	Fuel/Hour Meter Asm.....	1
4	1-603511	Key, Ignition.....	1
4	103-2106	Key, Exmark Logo.....	1
4	63-8360	Key-Ignition.....	1
5	110-6765	Switch-Single Pole N.O.....	2
6	116-0042-03	Strap-Tie Down, Battery.....	1
7	1-633651	Bolt-Holddown.....	2
8	1-543792	Wingnut, Nyloc 1/4-20.....	2

Item	Part No.	Description	Qty.
9	1-643275	Relay, 12VDC 40 Amp.....	1
10	114-1218	Cable-Battery, Negative.....	1
11	3234-5	Screw, HH FLG 5/16-18 x 3/4	2
12	104-8300	Nut, Nyloc 5/16-18 Flg	2
13	1-303287	Tie, Cable 5 1/2 (Small).....	3
14	82-2190	Switch.....	1
15	116-0229	Switch, Ignition	1
16	116-0124	Switch, PTO 10A	1
17	104-2065	Screw, HWH #10-24 x 3/8	1
18	115-3864	Cable-Battery, Positive	1
19	3256-24	Washer, 3/8 SAE.....	1
20	103-0205	Alarm, Dual Tone 12VDC	1
21	110-0941	Gauge-Temperature	1
22	1-303335	Tie, Cable 7 15/16 (Large).....	1

Exmark black touch up spray paint - gloss black.

▲ Use dielectric grease on all wiring harness connectors.

DECAL GROUP

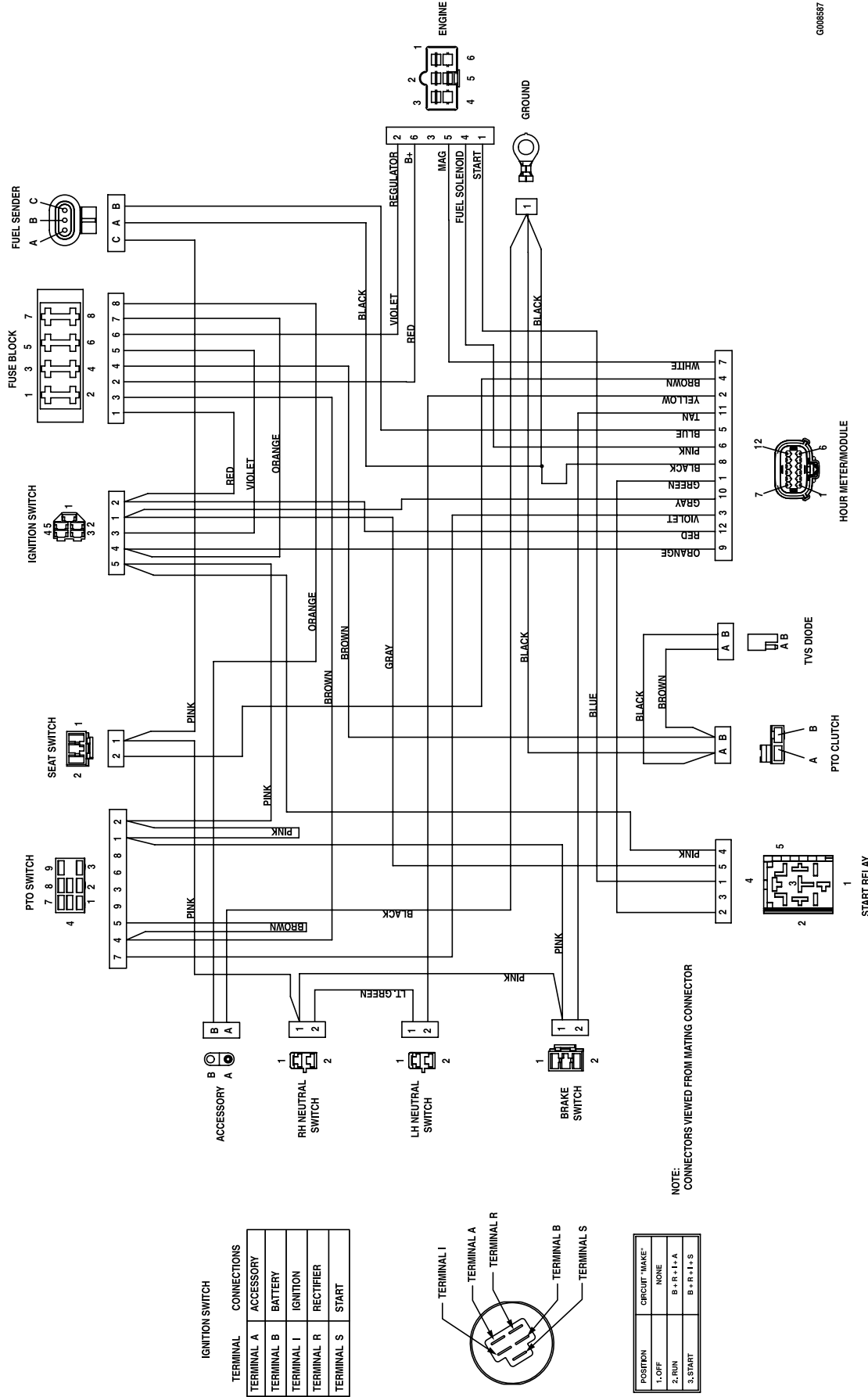


Item	Part No.	Description	Qty.
1	109-7069	Decal, Console	1
2	109-9477	Decal, Warning Spring Load	2
3	107-2102	Decal, ROPS Folding	1
4	98-5954	Decal, Danger	2
5	1-403005	Decal, Danger	2
6	107-2112	Decal, Warning Slope	1
7	1-633922	Decal, Anti-Scalp	1
8	116-0157	Decal, Hydro Oil	2
9	109-7330	Decal, Fuse	1
10	109-3148	Decal, Bolt Torque	1
11	103-2076	Decal, Hot Surface	3
12	109-8483	Decal, Control Panel	1
13	109-7929	Decal, Park Brake	1
14	116-0752	Decal, Cut of Height	1
15	116-0211	Decal, Service Aid	1

Item	Part No.	Description	Qty.
16	109-9361	Decal, Belt Routing	1
17	116-0090	Decal, Caution Fuel Vent	1
18	109-7232	Decal, Motion Control	2
19	116-0165	Decal, Wheel Hub	2
20	117-2718	Decal, Spark Arrester	1
21	116-0205	Decal, Belt Drive	2
22	115-2765	Decal, Fuel/Hour meter	1
23	1-303508	Decal, Discharge Warning	1
24	116-0906	Decal, Shell DEX-COOL	1
25	116-0033	Decal, UltraCut 48 Series 4	1
26	116-0034	Decal, UltraCut 52 Series 4	1
27	103-2883	Decal, Exmark Logo	2
28	116-0025	Decal, UltraCut 60 Series 4	1
29	116-0944	Decal, UltraCut 72 Series 4	1
30	116-0026	Decal, Lazer AS	1

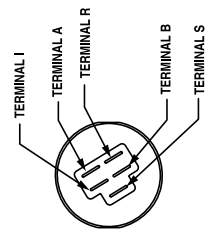
AIR-COOLED ELECTRICAL DIAGRAM

GUD6887



IGNITION SWITCH

TERMINAL	CONNECTIONS
TERMINAL A	ACCESSORY
TERMINAL B	BATTERY
TERMINAL I	IGNITION
TERMINAL R	RECTIFIER
TERMINAL S	START

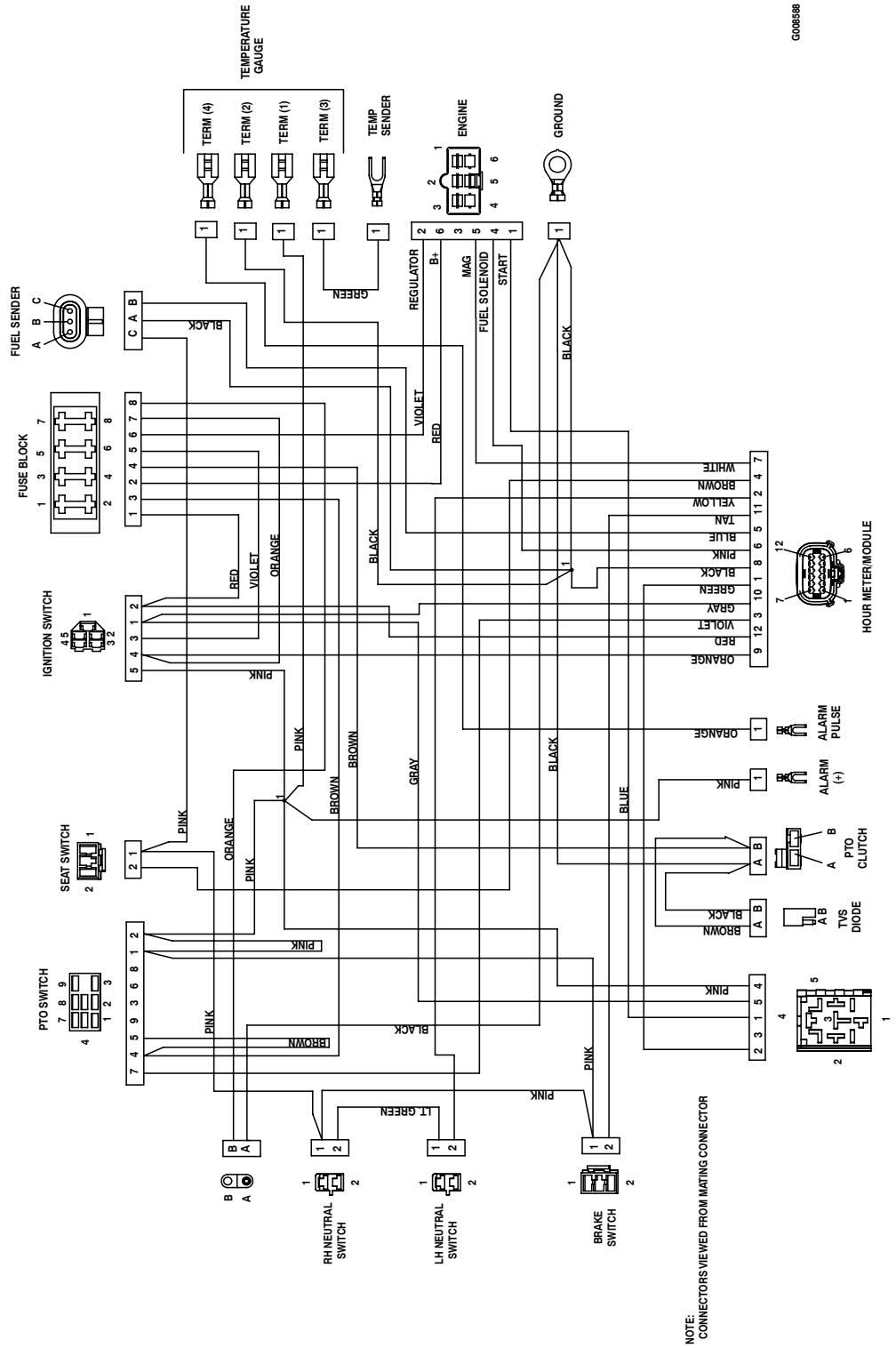


POSITION	CIRCUIT "MAKE"
1. OFF	NONE
2. RUN	B + R + I + A
3. START	B + R + I + S

NOTE: CONNECTORS VIEWED FROM MATING CONNECTOR

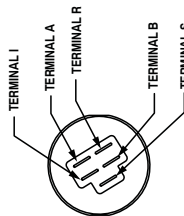
LIQUID-COOLED ELECTRICAL DIAGRAM

CO08588



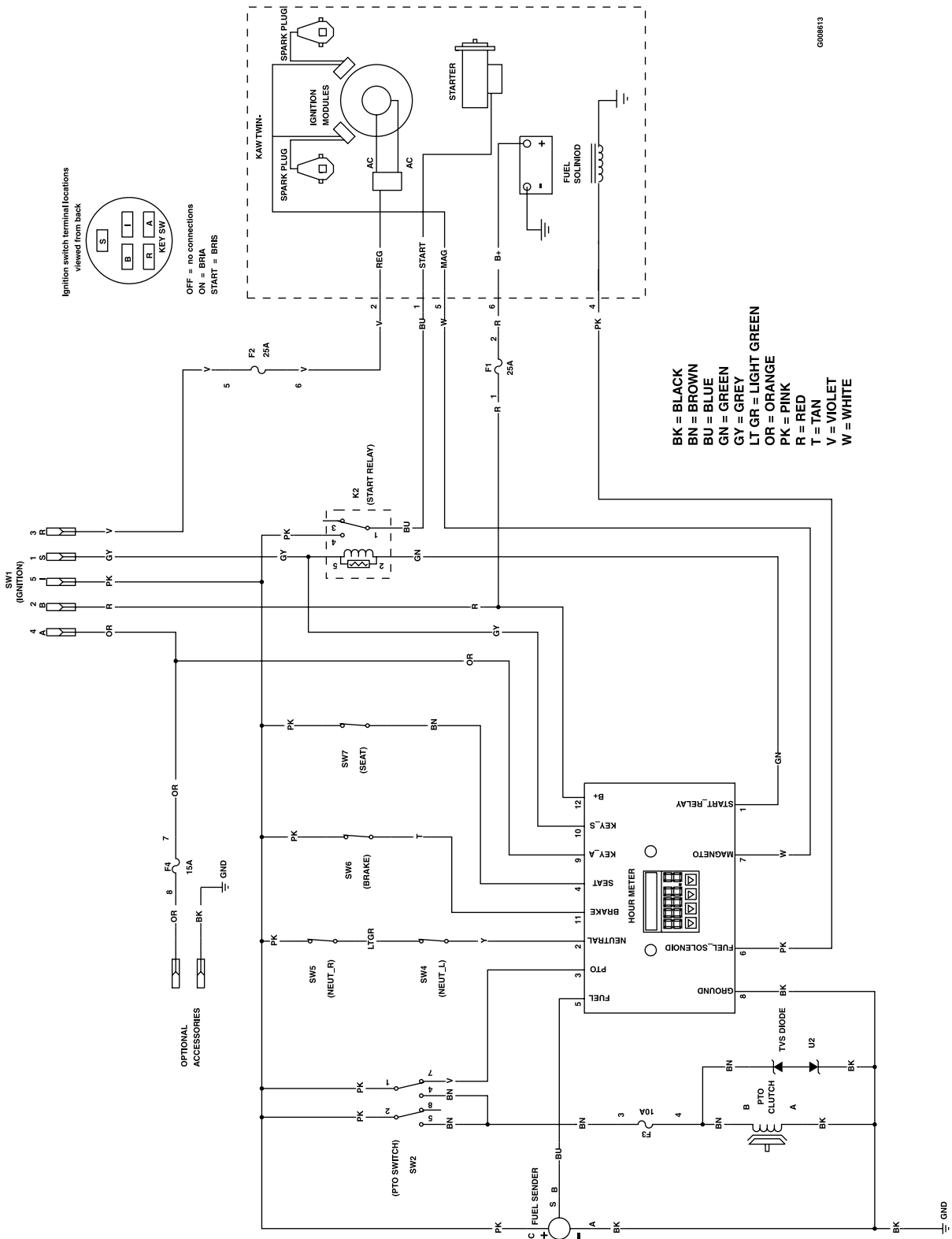
IGNITION SWITCH

TERMINAL	CONNECTIONS
TERMINAL A	ACCESSORY
TERMINAL B	BATTERY
TERMINAL I	IGNITION
TERMINAL R	RECTIFIER
TERMINAL S	START



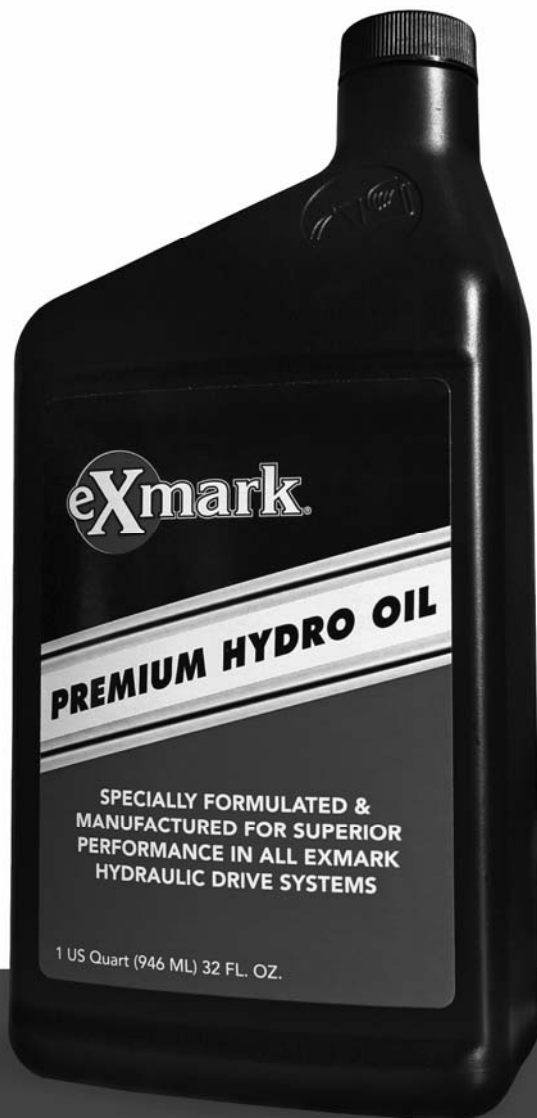
POSITION	CIRCUIT 'MAKE'
1. OFF	NONE
2. RUN	B + R + I + A
3. START	B + R + I + S

AIR-COOLED ELECTRICAL LOGIC SCHEMATIC



6008613

NEW EXMARK PREMIUM HYDRO OIL



BENEFITS

- Designed & manufactured with superior anti-wear protection
- Superior thermal stability
- Consistent hydro performance
- Superior shear resistance under heavy loads
- Field tested & proven performance
- Twice the shear stability of competing oils
- Enhanced control performance
- Specially formulated for any Exmark hydraulic system

**NOW AVAILABLE
FOR PURCHASE**

Part No. 109-9828



SEE EXMARK'S COMPLETE LINE OF ACCESSORIES

MID-MOUNT RIDING ACCESSORIES

CUSTOM RIDE SEAT SUSPENSION SYSTEM	OPERATOR CONTROLLED DISCHARGE
FULL SUSPENSION SEAT	ROLL OVER PROTECTION SYSTEM (ROPS)
DECK LIFT ASSIST KIT	SUN SHADE
HITCH KIT	TRASH CONTAINER
LIGHT KIT	TURF STRIPER
12V POWER PORT	ULTRA VAC COLLECTION SYSTEM
MICRO-MULCH SYSTEM	ULTRA VAC QUICK DISPOSAL SYSTEM

OUT-FRONT RIDING ACCESSORIES

CUSTOM RIDE SEAT SUSPENSION SYSTEM	SNOW BLADE
DUAL-TAIL WHEEL	SNOWBLOWER
FLOOR PAN EXTENDER	SUN SHADE
HITCH KIT	TRASH CONTAINER
LIGHT KIT	ULTRA VAC COLLECTION SYSTEM
MICRO-MULCH SYSTEM	ULTRA VAC QUICK DISPOSAL SYSTEM
ROLL OVER PROTECTION SYSTEM (ROPS)	WEATHER CAB

WALK-BEHIND ACCESSORIES

GRASS CATCHER	TURF STRIPER
MICRO-MULCH SYSTEM	STANDON

Place Model No. and Serial No.
Label Here (Included in the Literature
Pack or Fill in Below)

Model No. _____

Serial No. _____

Date Purchased _____

Engine Model No. and Spec. No. _____

Engine Serial No. (E/No) _____

© 2009 Exmark Mfg. Co., Inc.
Industrial Park Box 808
Beatrice, NE 68310
All Rights Reserved

Part No. 4500-485 Rev. C
(402) 223-6300
Fax (402) 223-5489
Printed In USA



www.exmark.com

Free Manuals Download Website

<http://myh66.com>

<http://usermanuals.us>

<http://www.somanuals.com>

<http://www.4manuals.cc>

<http://www.manual-lib.com>

<http://www.404manual.com>

<http://www.luxmanual.com>

<http://aubethermostatmanual.com>

Golf course search by state

<http://golfingnear.com>

Email search by domain

<http://emailbydomain.com>

Auto manuals search

<http://auto.somanuals.com>

TV manuals search

<http://tv.somanuals.com>