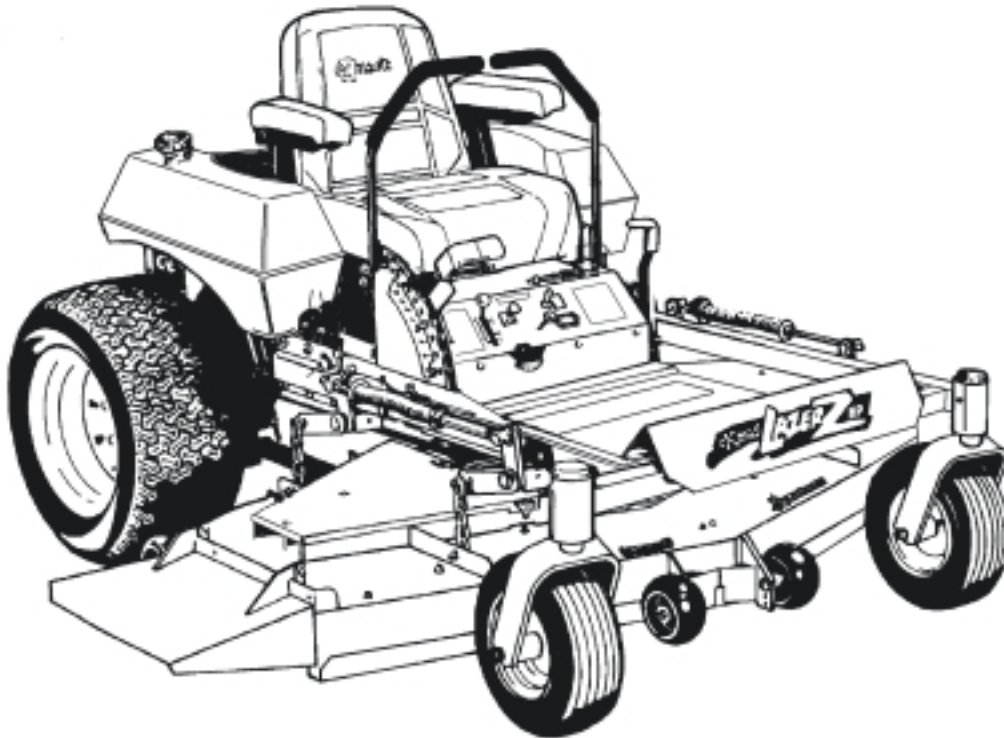


For Serial Nos. 160,000 thru 219,999
and 220,000 & Higher



LAZER Z™ HP

OPERATOR'S MANUAL

CONGRATULATIONS on the purchase of your new Exmark mower. This product has been carefully designed and manufactured to give you a maximum amount of dependability and years of trouble-free operation.

If additional information is needed, or should you require trained mechanic service, contact your authorized Exmark equipment dealer or distributor.

If you need to order replacement parts from your dealer, always give the model number and serial number of your mower as well as the part number, description and quantity of the part needed.

The Serial No. plate is located on the right side of the console.

For ease of ordering and reference, we suggest that you record the information requested in the following identification table.

Model No. _____

Serial No. _____

Engine Model No. _____

Engine Serial No. _____

Date Purchased _____

Paste Label From
Literature Packet Here

! WARNING

The engine exhaust from this product contains chemicals known to the State of California to cause cancer, birth defects, or other reproductive harm.

IMPORTANT

When the mower is used or operated on any California forest, brush or grass covered land, a working spark arrester must be attached to the muffler. If not, the operator is violating state law, Section 442 Public Resource Code. To acquire a spark arrester for your unit, see your Engine Service Dealer.

! WARNING

POTENTIAL HAZARD

- ◆ This product is a piece of power equipment.

WHAT CAN HAPPEN

- ◆ Failure to follow safe operating practices can result in serious operator injury or even death.

HOW TO AVOID THE HAZARD

- ◆ Keep all shields, guards and safety devices (especially the grass discharge system) in place and in proper working condition.
- ◆ Stop engine and remove spark plug wire(s) or remove key and wait for all moving parts to stop before adjusting, servicing, or performing maintenance.
- ◆ If mower deck becomes clogged, stop engine and remove spark plug wire(s) or remove key and wait for all moving parts to stop before cleaning blockage.
- ◆ Keep hands, feet and clothing away from power driven parts.
- ◆ Keep off mower unless seat platform is provided.
- ◆ Keep others off mower.

! WARNING

POTENTIAL HAZARD

- ◆ Gasoline is harmful or fatal if swallowed. Long-term exposure to vapors has caused cancer in laboratory animals.

WHAT CAN HAPPEN

- ◆ Failure to use caution may cause serious injury or illness.

HOW TO AVOID THE HAZARD

- ◆ Avoid prolonged breathing of vapors.
- ◆ Keep face away from nozzle and gas tank/container opening.
- ◆ Keep away from eyes and skin.
- ◆ Never siphon by mouth.

Exmark reserves the right to make changes or add improvements to its products at any time without incurring any obligation to make such changes to products manufactured previously. Exmark, or its distributors and dealers, accept no responsibility for variations which may be evident in the actual specifications of its products and the statements and descriptions contained in this publication.

EXMARK PARTS PLUS® PROGRAM

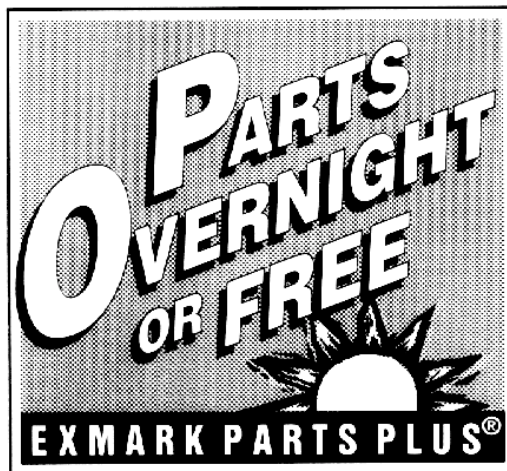
EFFECTIVE DATE: September 1, 1995

Program

If your Exmark dealer does not have the Exmark part in stock, Exmark will get the parts to the dealer the next business day or the part will be FREE* Guaranteed!!

How the Program Works

1. If dealer does not have part in stock for a "down" unit at the time of request by customer, the dealer contacts his distributor by 1:00 p.m., local time, and requests Exmark Parts Plus® shipment of six (6) line items or less.
2. Distributor ships part(s) to dealer or customer, as requested by dealer, same day, overnight UPS. Distributor bills dealer for part and freight charges where applicable.
3. If distributor does not have the part(s) in stock to satisfy Exmark Parts Plus® order, he contacts Exmark by 3:00 p.m., central time, with an Exmark Parts Plus® order of six (6) line items or less.
4. If order is received by 3:00 p.m. central time, Exmark ships part(s) direct to dealer or customer, as requested by distributor, same day, overnight UPS, Exmark bills the distributor for parts and shipping charges, where applicable.
5. The customer pays for the part and freight if it is shipped under the Exmark Parts Plus® and if it arrives in accordance to the program.
6. Who pays for the part and freight if it fails to arrive overnight in accordance to the program?
 - A. Under any circumstance the customer does not pay.
 - B. If the part does not arrive overnight due to:
 1. The dealer not submitting the Exmark Parts Plus® order to his Exmark distributor by 1:00 p.m., the dealer pays for the part and freight.
 2. The Distributor being unable to ship the part the same day or not submitting the Exmark Parts Plus® order to Exmark by 3:00 p.m., central time, the Distributor pays for the part and freight.
 3. Exmark being unable to ship the part and the Exmark parts order is received by 3:00 p.m., central time, Exmark pays for the part and freight.
 4. If the part does not arrive overnight due to the shipper (UPS), the shipper pays for the freight and Exmark pays for the part.



The following restrictions apply -- The Exmark Parts Plus® Program is available only through participating Exmark Dealers and applies only to orders submitted on this program Monday through Thursday. Parts Plus service is available only in the 48 contiguous United States. UPS has initiated a Saturday delivery program to many areas of the continental United States and can be requested for an overnight shipment on Friday to be delivered Saturday. The next day air charge, plus the Saturday delivery fee will be the responsibility of the purchaser. Exmark Mfg. will assume no responsibility for Saturday delivery shipments. To qualify, all Exmark Parts Plus® orders must be received by Exmark by 3:00 p.m., central time. Orders must be six (6) line items or less. Exclusions from the Exmark Parts Plus® Program are: Any wholegood or accessory in its entirety, engines and engine replacement parts, 5-speed Peerless transmissions and 5-speed transaxles, hydraulic or hydrostatic wheel motors, cutter decks and engine decks or any item exceeding United Parcel Service size and weight restrictions.

Due to UPS restrictions, aerosol spray paint is considered a hazardous material and cannot be shipped via UPS next day or Second Day Air.

Exmark Manufacturing stocks a limited supply of parts for transaxles, pumps and wheel motors. These parts can be ordered for Next Day Air shipment but will not be guaranteed per the Parts Plus Program.

CONGRATULATIONS on the purchase of your Exmark Mower. This product has been carefully designed and manufactured to give you a maximum amount of dependability and years of trouble-free operation.

OPERATOR'S MANUAL

This manual contains assembly, operating, maintenance, adjustment and safety instructions for your Exmark mower.

BEFORE OPERATING YOUR MOWER, CAREFULLY READ THIS MANUAL IN ITS ENTIRETY.

By following the operating, maintenance and safety instructions, you will prolong the life of your mower, maintain its maximum efficiency and promote safe operation.

If additional information is needed, or should you require trained mechanic service, contact your authorized Exmark equipment dealer or distributor.

All Exmark equipment dealers and distributors are kept informed of the latest methods of servicing and are equipped to provide prompt and efficient service in the field or at their service stations. They carry ample stock of service parts or can secure them promptly for you from the factory.

All Exmark parts are thoroughly tested and inspected before leaving the factory, however, attention is required on your part if you are to obtain the fullest measure of satisfaction and performance.

TABLE OF CONTENTS

| | PAGE |
|---|--------------|
| 1. SAFETY | |
| 1.1 Safety Alert Symbol | 1 |
| 1.2 Training..... | 1 |
| 1.3 Preparation | 1-3 |
| 1.4 Operation | 3-4 |
| 1.5 Maintenance & Storage..... | 4-5 |
| 1.6 Safety Signs..... | 6-8 |
| 2. SPECIFICATIONS | |
| 2.1 Model Numbers..... | 8 |
| 2.2 Engine | 8 |
| 2.3 Fuel System..... | 8 |
| 2.4 Electrical System | 8-9 |
| 2.5 Operator Controls | 9 |
| 2.6 Seat | 9 |
| 2.7 Hydrostatic Ground Drive System | 9-10 |
| 2.8 Tires & Wheels | 10 |
| 2.9 Cutting Deck | 10 |
| 2.10 Dimensions | 10 |
| 2.11 Torque Requirements | 11 |
| 3. ASSEMBLY INSTRUCTIONS | |
| 3.1 Uncrate Mower..... | 11 |
| 3.2 Install Drive Wheels | 11 |
| 3.3 Check Tire Pressure | 11 |
| 3.4 Install Seat Retaining Rod..... | 11 |
| 3.5 Install Motion Control Levers..... | 11-12 |
| 3.6 Position Discharge Chute..... | 12 |
| 3.7 Service Engine..... | 12 |
| 3.8 Service Battery..... | 12-13 |
| 3.9 Service Hydraulic Oil..... | 14 |
| 4. OPERATION INSTRUCTIONS | |
| 4.1 Controls | 14-16 |
| 4.2 Pre-Start | 16-17 |
| 4.3 Mowing | 17 |
| 4.4 Transporting..... | 17-19 |
| 5. MAINTENANCE & ADJUSTMENTS | |
| 5.1 Periodic Maintenance..... | 19-26 |
| 5.2 Adjustments | 26-31 |
| 6. WASTE DISPOSAL | |
| 6.1 Motor Oil Disposal..... | 32 |
| 6.2 Mercury Switch Disposal | 32 |
| 6.3 Battery Disposal..... | 33 |
| 7. TROUBLE SHOOTING | 33-34 |
| 8. ELECTRICAL DIAGRAM | 35 |
| 9. HYDRAULIC DIAGRAM..... | 36 |
| 10. WARRANTY | 37-38 |

1. SAFETY

1.1 SAFETY ALERT SYMBOL

THIS SAFETY ALERT SYMBOL  IS USED BOTH IN THIS MANUAL AND ON THE MACHINE TO IDENTIFY IMPORTANT SAFETY MESSAGES WHICH MUST BE FOLLOWED TO AVOID ACCIDENTS. THIS ALERT SYMBOL MEANS:

**ATTENTION! BECOME ALERT!
YOUR SAFETY IS INVOLVED!**

The safety alert symbol appears above information which alerts you of unsafe actions or situations and will be followed by the word **DANGER**, **WARNING**, or **CAUTION**.

When used with the word DANGER: IT DENOTES THAT AN EXTREME HAZARD EXISTS WHICH WOULD RESULT IN HIGH PROBABILITY OF DEATH OR IRREPARABLE INJURY IF PROPER PRECAUTIONS ARE NOT TAKEN.

When used with the word WARNING: IT DENOTES THAT A HAZARD EXISTS WHICH CAN RESULT IN INJURY OR DEATH IF PROPER PRECAUTIONS ARE NOT TAKEN.

When used with the word CAUTION: IT DENOTES A REMINDER OF SAFETY PRACTICES OR DIRECTS ATTENTION TO UNSAFE PRACTICES WHICH COULD RESULT IN PERSONAL INJURY IF PROPER PRECAUTIONS ARE NOT TAKEN.

1.2 TRAINING

- 1.2.1 Regard the Exmark mower as a piece of power equipment and teach this regard to all who operate this unit.
- 1.2.2 Read the instructions carefully. Familiarize yourself with the controls and the proper use of the equipment.
- 1.2.3 Never allow children, teenagers, or people unfamiliar with these instructions to use the mower.
- 1.2.4 Avoid mowing while people, especially children, or pets, are nearby. Keep in mind that the operator or user is responsible for accidents or hazards occurring to other people or their property.

1.3 PREPARATION

- 1.3.1 The use of personal protective equipment, such as (but not limited to) protection for the eyes, ears, feet and head is recommended.
- 1.3.2 While mowing, always wear substantial footwear and long trousers. Do not operate equipment when barefoot or when wearing open sandals.
- 1.3.3 Thoroughly inspect the area where the equipment is to be used and remove all stones, sticks, wires, bones and other foreign objects which may damage the equipment or cause personal injury to the operator or bystanders.

WARNING

POTENTIAL HAZARD

- ◆ Engine exhaust contains carbon monoxide, which is an odorless deadly poison.

WHAT CAN HAPPEN

- ◆ Carbon monoxide can kill you and is also known to the State of California to cause birth defects.

HOW TO AVOID THE HAZARD

- ◆ Do not run engine indoors or in a small confined area where dangerous carbon monoxide fumes can collect.

DANGER

POTENTIAL HAZARD

- ◆ In certain conditions gasoline is extremely flammable and highly explosive.

WHAT CAN HAPPEN

- ◆ A fire or explosion from gasoline can burn you, others, and cause property damage.

HOW TO AVOID THE HAZARD

- ◆ **DO NOT** smoke while refueling, and stay away from an open flame or where gasoline fumes may be ignited by spark.
- ◆ Refuel only in a well ventilated area, or refuel outdoors.
- ◆ Store gasoline in an approved container and keep it out of the reach of children.
- ◆ Add fuel before starting the engine. *Never* remove the cap of the fuel tank or add fuel when engine is running or when the engine is hot.
- ◆ Never fill the fuel tank so that the gasoline level rises above a level that is 1/2" below the bottom of the filler neck to allow for gasoline expansion and prevent fuel spillage.
- ◆ If fuel is spilled, **DO NOT** attempt to start the engine. Move away from the area of the spill and avoid creating any source of ignition until fuel vapors have dissipated.

DANGER

POTENTIAL HAZARD

- ◆ In certain conditions gasoline is extremely flammable and highly explosive.

WHAT CAN HAPPEN

- ◆ A static charge can ignite gasoline vapors. A fire or explosion from gasoline can burn you, others, and cause property damage.

HOW TO AVOID THE HAZARD

- ◆ Purchase and store gasoline only in an approved container.
- ◆ Always place gasoline containers on the ground away from your vehicle before filling.
- ◆ Do not fill gasoline containers inside a vehicle or on a truck or trailer bed because interior carpets or plastic truck bed liners may insulate the container and slow the loss of any static charge.
- ◆ When practical, remove gas-powered equipment from the truck or trailer and refuel the equipment with its wheels on the ground.
- ◆ If this is not possible, then refuel such equipment on a truck or trailer from a portable container, rather than from a gasoline dispenser nozzle.
- ◆ If a gasoline dispenser nozzle must be used, keep the nozzle in contact with the rim of the fuel tank or container opening at all times until fueling is complete.

1.4 OPERATION

Although hazard control and accident prevention partially are dependent upon the design and configuration of the equipment, these factors are also dependent upon the awareness, concern, prudence and proper training of the personnel involved in the operation, transport, maintenance and storage of the equipment. It is essential that all Operator Safety Mechanisms be connected and in operating condition prior to use for mowing.


- 1.4.1 Give complete, undivided attention to the job at hand.
- 1.4.2 Mow only in daylight or good artificial light. **NEVER** carry passengers. **DO NOT** operate the mower when children or others are in the area.
- 1.4.3 When feasible, avoid operating the equipment in wet grass.
- 1.4.4 Use **EXTREME** caution when mowing and/or turning on slopes as loss of traction and/or tipover could occur. Drive slower on slopes. **DO NOT** mow slopes greater than 15 degrees. Watch for ditches, holes, rocks, dips, and rises, which change the operating angle. Keep away from drop-offs and steep banks. Avoid sudden starts when mowing uphill - mower may tip backwards. Loss of traction may occur going downhill - weight transfer to the front wheels may cause drive wheels to slip and cause loss of braking. **DO NOT** mow slopes when grass is wet - slippery conditions affect steering and reduce traction and braking. The operator is responsible for safe operation on slopes. See inside back cover to determine the approximate slope angle of the area to be mowed.

- 1.4.5 Use **EXTREME** caution when backing up. **LOOK BEHIND YOU!!**
- 1.4.6 Stop the blades when crossing surfaces other than grass; and when transporting the mower to and from the area to be mowed.
- 1.4.7 Never operate the mower with defective guards, shields, or covers. Always have safety shields, guards, switches, and other devices in place and in proper working condition.
- 1.4.8 **DO NOT** change the engine governor settings or overspeed the engine. Operating an engine at excessive speed may increase the hazard of personal injury.
- 1.4.9 Disengage blade drive before starting engine.
- 1.4.10 Start the engine carefully with feet well away from the blades.
- 1.4.11 Keep hands, feet and clothing away from rotating parts while the mower is being operated.
- 1.4.12 Stop the engine and remove ignition key:
- Before checking, cleaning or working on the mower.
 - After striking a foreign object (inspect the mower for damage and make repairs before restarting and operating the mower).
 - Before clearing blockages.
 - Whenever you leave the mower.
- Stop the engine:
- Before refueling.
 - Before dumping the grass catcher.
- 1.4.13 Before stopping the engine, return the throttle control to the idle position for 30 seconds to allow the engine to cool down.
- 1.4.14 The fuel system is provided with a shut-off valve. The fuel shut-off valve is used to shut off the fuel:
- When the machine will not be used for a few days.
 - During transport to and from the job.
 - When parked inside a building.
- 1.4.15 This mower was designed for one operator only. Keep all others away from mower during operation.
- 1.4.16 **Do Not** mow without the grass deflector in place.
- 1.4.17 If jump starting is required:
- a) connect the positive (+) power cable from the positive post on the booster battery to the positive terminal post on the starter solenoid switch (this post has the positive battery cable attached to it).
 - b) connect the negative or ground cable (-) from the negative post on the booster battery to any engine deck ground, preferably the engine block as far away from the battery as possible.
 - c) disconnect battery cables in the reverse order after starting.

1.5 MAINTENANCE AND STORAGE

- 1.5.1 For engine maintenance, follow the engine manufacturer's recommendations precisely as stated in the engine manual.

- 1.5.2 When making adjustments while the engine is running, such as carburetor and motion control linkage adjustments, stand to one side and keep clear of moving/rotating components, such as engine screen, drive belts and sheaves. **Do Not** wear loose fitting clothing or jewelry that could get tangled in moving/rotating components.
- 1.5.3 Keep engine and engine area free from accumulation of grass, leaves, excessive grease or oil and other debris which can accumulate in these areas. These materials can become flammable and may result in a fire.
- 1.5.4 Store fuel in a container specifically designed for this purpose in a cool, dry place.
- 1.5.5 Keep the mower and fuel container in locked storage to prevent children from playing or tampering with them.
- 1.5.6 Gasoline powered equipment or fuel containers should not be stored in a basement or any enclosed area, where open pilot lights or heat appliances are present.
- 1.5.7 Maximum mowing results and safety can only be achieved if the mower is properly maintained and operated correctly.
- 1.5.8. Check all bolts frequently to maintain proper tightness.
- 1.5.9. Keep all guards, shields and all safety devices in place and in safe working condition.
- 1.5.10 Frequently check for worn or deteriorating components that could create a hazard.
- 1.5.11 All replacement parts must be the same as or equivalent to the parts supplied as original equipment.

|  WARNING |
|--|
| <p>POTENTIAL HAZARD</p> <ul style="list-style-type: none"> ◆ Hydraulic fluid escaping under pressure can penetrate skin and cause injury. |
| <p>WHAT CAN HAPPEN</p> <ul style="list-style-type: none"> ◆ Fluid accidentally injected into the skin must be surgically removed within a few hours by a doctor familiar with this form of injury or gangrene may result. |
| <p>HOW TO AVOID THE HAZARD</p> <ul style="list-style-type: none"> ◆ Make sure all hydraulic fluid hoses and lines are in good condition and all hydraulic connections and fittings are tight before applying pressure to hydraulic system. ◆ Keep body and hands away from pinhole leaks or nozzles that eject high pressure hydraulic fluid. ◆ Use cardboard or paper to find hydraulic leaks. ◆ Safely relieve all pressure in the hydraulic system before performing any work on the hydraulic system. |

1.6 SAFETY SIGNS

- 1.6.1 Keep all safety signs legible. Remove all grease, dirt and debris from safety signs and instructional labels.
- 1.6.2 Safety signs must be replaced if they are missing or illegible.
- 1.6.3 When new components are installed, be sure that current safety signs are affixed to the replaced components.
- 1.6.4 New safety signs may be obtained from your authorized Exmark equipment dealer or distributor or from Exmark Mfg. Co. Inc.
- 1.6.5 Safety signs may be affixed by peeling off the backing to expose the adhesive surface. Apply only to a clean, dry surface. Smooth to remove any air bubbles.
- 1.6.6 Familiarize yourself with the following safety signs and instruction labels. They are critical to the safe operation of your Exmark commercial mower.



PART NO. 513747
LOCATION: Top Center of Console Under Front of Seat



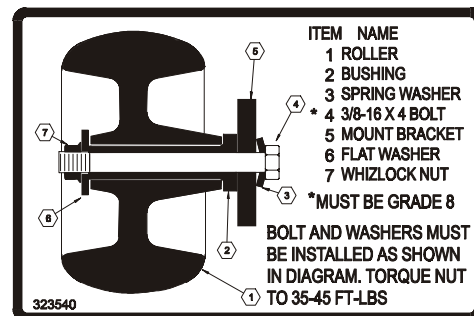
PART NO. 403005
LOCATION: Left and Right Corners of Mower Deck



PART NO. 513742
LOCATION: On Top of Mower Deck Belt Shields, Left and Right Sides



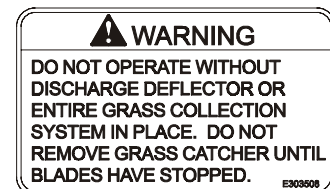
PART NO. 603845
LOCATION: Under Seat, on Frame Adjacent to Right Fuel Tank



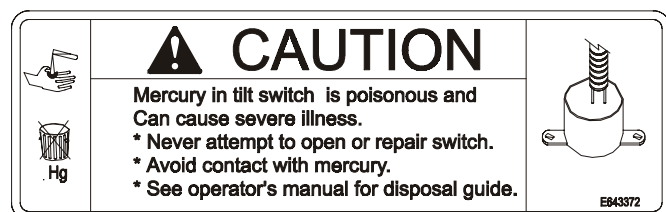
PART NO. 323540
LOCATION: Left Front Corner Top of Mower Deck



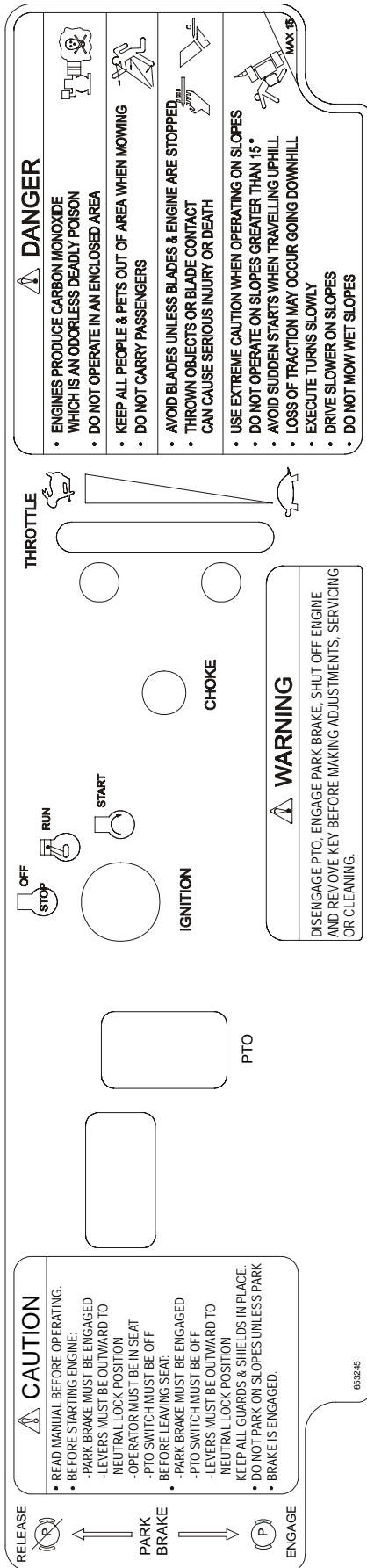
Serial Nos. 220,000 & Higher
PART NO. 643401
LOCATION: On Tilt Switch



PART NO. 303508
LOCATION: Front Right Corner Top of Mower Deck



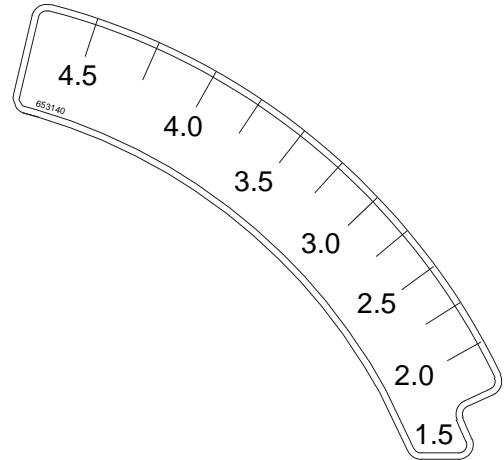
Serial Nos. 220,000 & Higher
PART NO. 643372
LOCATION: Top LH Side of Console, Under Front of Seat



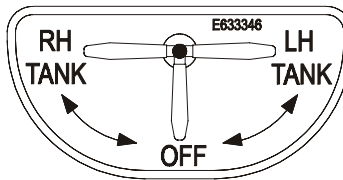
PART NO. 653245
LOCATION: Center of Console



PART NO. 633354
LOCATION: Top of Console Left and Right Side



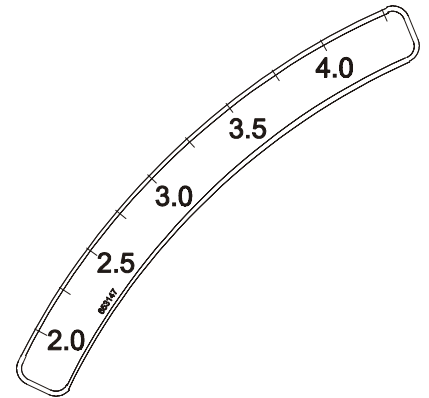
PART NO. 653140
LOCATION: RH Side of Cutting Height Adjustment Plate



PART NO. 633346
LOCATION: Below Center of Console



PART NO. 303293
LOCATION: On Top of Fuel Tanks



PART NO. 653147
LOCATION: Lefthand Side of Cutting Height Adjustment Plate



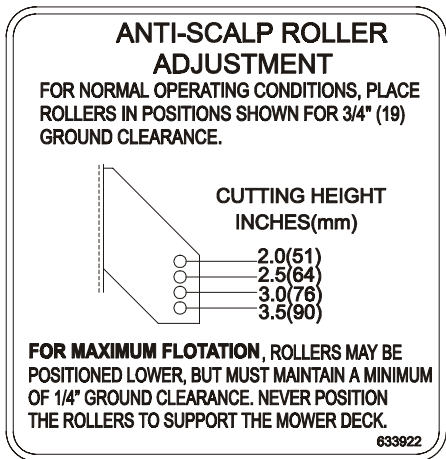
PART NO. 513746
LOCATION: Rear of Engine Deck, Left and Right Sides



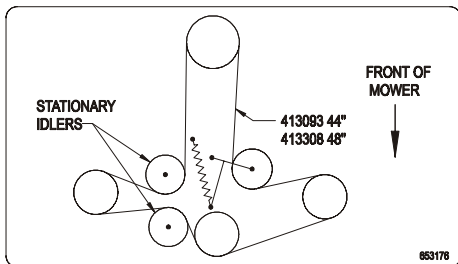
PART NO. 523552
LOCATION: Top of Hydraulic Reservoir



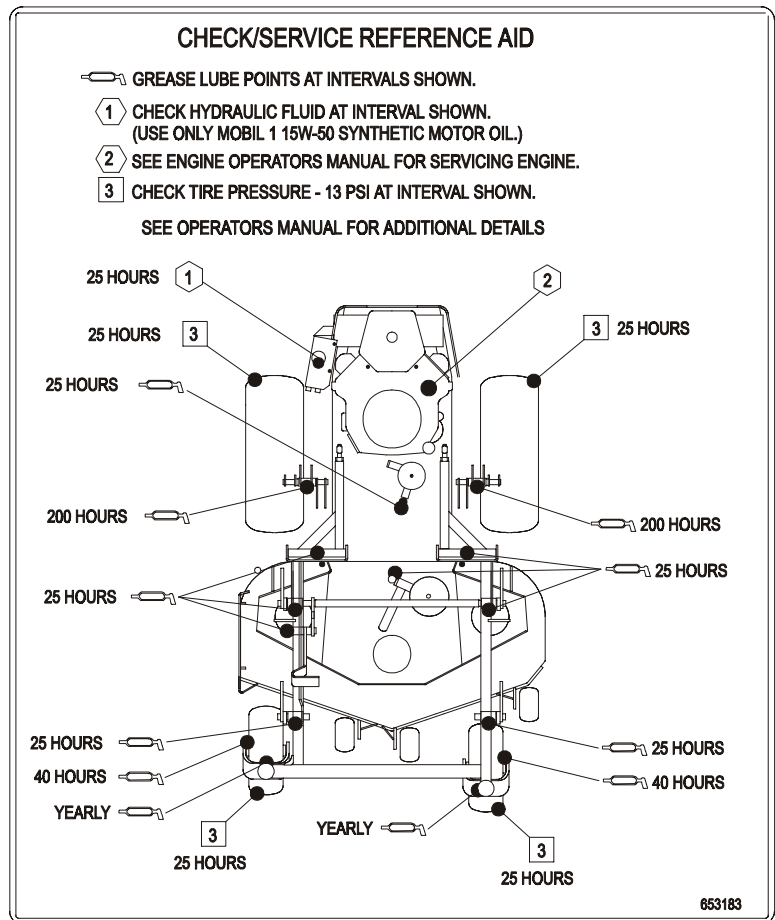
PART NO. 633827
LOCATION: LH Side Front Support Frame, Below Brake Handle



PART NO. 633922
LOCATION: Front Left Corner Top of Mower Deck



PART NO. 653176
LOCATION: Left of Center on Mower Deck, Under Floor Pan



PART NO. 653183
LOCATION: Bottom Side of Floor Pan

2. SPECIFICATIONS

2.1 MODEL NUMBER:

Serial Nos. 160,000 & Higher: LHP4417KA; LHP4818KC
Serial Nos. 190,000 & Higher: LHP4418KC
Serial Nos. 190,000–219,999: LHP4819KA
Serial Nos. 220,000 & Higher: LHP4419KA; LHP4820KC; LHP4821KA; LHP5220KC; LHP5223KC; LHP5223KA

2.2 ENGINE:

- 2.2.1 Engine Specifications: See Your Engine Owner's Manual
 2.2.2 RPM: Full Speed: 3600 RPM (No Load) Idle: 1500 RPM

2.3 FUEL SYSTEM

- 2.3.1 Capacity: 8 gal. (30 L.)
 2.3.2 Type of Fuel: Regular **unleaded** gasoline, 87 octane or higher.
 2.3.3 Fuel Filter: For Kohler: Replaceable in-line 15 Micron **Kohler** P/N 2405002
 For Kawasaki: Replaceable in-line **Kawasaki** P/N 49019-2075
 2.3.4 Fuel Shut-Off Valve: 1/4 turn increments (left tank, "OFF", right tank)

2.4 ELECTRICAL SYSTEM

- 2.4.1 Charging System: Flywheel Alternator

- 2.4.2 Charging Capacity: 15 amps
- 2.4.3 Battery Type: BCI Group U1
- 2.4.4 Battery Voltage: 12 Volt
- 2.4.5 Polarity: Negative Ground
- 2.4.6 Fuses: Two 20 amp blade type
- 2.4.7 Safety Interlock System: Operator must be in seat with **Blades disengaged, brake engaged, and motion control levers out** (neutral lock) **to start engine.**
Operator must be in seat **when Blades are engaged, brake is disengaged, or motion control levers are moved in** or engine will stop.
Engine will stop if either the left, the right, or both levers are **moved from neutral lock position while brake is engaged.**
- 2.4.8 Tilt Switch: (Serial Nos. 220,000 & Higher) Shuts off the engine when the unit is tilted more than 60° from horizontal.

2.5 OPERATOR CONTROLS

- 2.5.1 Steering and Motion Control:
Separate levers, on each side of the console, control speed and direction of travel of the respective drive wheels.
Steering is controlled by varying the position of the levers relative to each other.
Moving motion control levers outward (in slots) locks the drive system in neutral.
- 2.5.2 Blade Engagement Switch: Engages electric clutch (to drive belt) which engages mower blades.
- 2.5.3 Parking Brake Lever: Sets brakes.
- 2.5.4 Deck Height Adjustment Lever: Sets cutting height to desired position.

2.6 SEAT

- 2.6.1 Type: Standard seat: high back, foam padded (internal spring suspension)with arm rests.
Optional suspension seat: high back, low profile foam-in-place cushion (dampened, adjustable spring suspension) with armrests.
- 2.6.2 Mounting: Hinged to tilt up for access to hydraulic pumps, battery and other components. Held in tilted position with prop rod. Adjustable fore and aft seat track.
- 2.6.3 Armrests: Standard seat: foam padded flip-up armrests.
Optional suspension seat: molded adjustable flip-up armrests.
- 2.6.4 Seat Safety Switch: Incorporated into the Safety Interlock System.
Time delay seat switch eliminates rough ground cut-outs.

2.7 HYDROSTATIC GROUND DRIVE SYSTEM

- 2.7.1 Hydrostatic Pumps: Two Hydro Gear BDP-10L variable displacement piston pumps.
- 2.7.2 Wheel Motors: Two Parker/Ross with 1 1/4" tapered shafts.
- 2.7.3 Hydraulic Oil Type: Synthetic Mobil 1 15W-50.
- 2.7.4 Hydraulic Oil Capacity: 2.1 qt.(2.0 L.)

- 2.7.5 Hydraulic Filter: Replaceable cartridge type.
P/N 513211: 10 microns, 18 psi bypass (Summer use above 32° F)
P/N 523541: 40 microns, 18 psi bypass (Winter use below 32° F)
- 2.7.6 Speeds: 44" & 48" units: 0 - 8.1 mph (13.1 km/hr) forward.
0 - 4.2 mph (6.8 km/hr) reverse.
52" units: 0 – 9.5 mph (15.3 km/hr) forward.
0 – 4.9 mph (7.9 km/hr) reverse.
- 2.7.7 Drive wheel release valves allow machine to be moved when the engine is not running.

2.8 TIRES AND WHEELS

| 2.8.1 Tires: | Size | Qty | Tread | Ply | Inflation |
|--------------------|-------------|-----|--------------|-----|-----------------|
| Drive Tires | 23 x 9.5-12 | 2 | "Turfmaster" | 4 | 13 psi (90 kPa) |
| Front Caster Tires | 13 x 5.00-6 | 2 | Smooth | 4 | 13 psi (90 kPa) |

2.9 CUTTING DECK

- 2.9.1 Cutting Width:
- | 44" deck | 48" deck | 52" deck |
|------------------|----------------------|-------------------|
| 44 in.(111.8 cm) | 47.24 in. (120.0 cm) | 52 in. (132.1 cm) |
- 2.9.2 Discharge: Side (Optional Mulch or Bag)
- 2.9.3 Blade Size:
- | 44" deck | 48" deck | 52" deck |
|---------------------|---------------------|---------------------|
| 15.25 in. (38.7 cm) | 16.25 in. (41.3 cm) | 18.00 in. (45.7 cm) |
- (3 ea.)
- 2.9.4 Blade Spindles: solid steel spindles with 1" I.D. bearings.
- 2.9.5 Deck Drive: Electric clutch mounted on vertical engine shaft. Blades are driven by one "B" Section belt (w/self-tensioning idler) direct from the engine.
- 2.9.6 Deck: Full floating deck is attached to out-front support frame.
Maximum turf protection is provided by three anti-scalp rollers on 44" & 48" decks and five anti-scalp rollers on 52" decks.
Deck design allows for bagging, mulching or side discharge.
- 2.9.7 Cutting Height Adjustment: an extra-long cushioned lever is used to adjust the cutting height from 1 1/2" (3.8 cm) to 4.5" (11.4 cm.) in 1/4" (.64 cm.) increments for Serial No.s 190,000 and higher and 1/2" (1.3 cm) increments for Serial No.s 160,000 through 189,999.
The cutting height adjustment handle has a transport position and all adjustments can be made while the operator remains seated.
- 2.9.8 Mulching Kit: Optional.

2.10 DIMENSIONS

- 2.10.1 Overall Width:
- | | Without deck | Discharge chute up | Discharge chute down |
|------------|---------------------|---------------------|----------------------|
| w/44" Deck | 43.9 in. (111.5 cm) | 47.4 in. (120.3 cm) | 54.7 in. (138.9 cm) |
| w/48" Deck | 45.9 in. (116.6 cm) | 50.3 in. (122.4 cm) | 58.1 in. (147.6 cm) |
| w/52" Deck | 47.9 in. (121.7 cm) | 54.3 in. (139.2 cm) | 62.8 in. (159.5 cm) |
- 2.10.2 Overall Length: w/44" & 48" decks: 74.1 in. (188.2 cm)
w/52" deck: 77.31 in. (196.3 cm)
- 2.10.3 Overall Height: w/44" & 48" decks: 40.0 in. (101.6 cm.)
w/52" deck: 40.0 in. (101.6 cm)

2.10.4 Tread Width: (center to center of tires, widthwise)

| | w/44" Deck | w/48" Deck | w/52" Deck |
|----------------------|--------------------|--------------------|--------------------|
| Drive Wheels | 34.4 in. (87.4 cm) | 36.4 in. (92.5 cm) | 38.4 in. (97.5 cm) |
| Front Casters | 32.2 in. (81.8 cm) | 32.2 in. (81.8 cm) | 34.6 in. (87.9 cm) |

2.10.5 Wheel Base: (center of caster tire to center of drive tire)
w/44" & 48" Deck: 45.9 in. (116.6 cm)
w/52" Deck: 47.2 in. (119.9cm)

2.10.6 Curb Weight*: w/44" Deck: 887 lbs. (403.2 kg)
w/48" Deck: 907 lbs. (412.3 kg)
w/52" Deck: 1025 lbs. (464.9 kg)

*** Note: Weight will vary slightly, depending on engine option.**

2.11 TORQUE REQUIREMENTS

| <u>Bolt Location</u> | <u>Torque</u> | <u>Bolt Location</u> | <u>Torque</u> |
|----------------------------------|---------------|---------------------------------|---------------------|
| Cutter Housing Spindle Nut | 75-80 ft-lbs. | Engine Mounting Bolts | 25-30 ft-lbs. |
| Blade Mounting Bolt | 75-80 ft-lbs. | Wheel Motor Mounting Bolts..... | 72-77 ft-lbs. |
| Engine Deck/Front Frame Mount. | 30-35 ft-lbs. | Wheel Hub Slotted Nut | minimum 125 ft-lbs. |
| Anti-Scalp Roller Bolts | 40-45 ft-lbs. | | |

3. ASSEMBLY INSTRUCTIONS

3.1 UNCRATE MOWER

3.2 INSTALL DRIVE WHEELS.

3.2.1 Mount drive wheels with the valve stem to the outside of the unit. Secure using four (4) 1/2-20 x 7/8" UNF wheel bolts (installed in hubs) or 1/2-20 wheel nuts (installed on studs in hubs) for each wheel. Torque to 95 ft-lbs (128 N·M).

NOTE: Earlier models require the UNF wheel bolts. Later models have studs installed in the wheel hub and require wheel nuts.

3.3 CHECK TIRE PRESSURE.

3.3.1 Check tire pressure in caster and drive tires. Proper inflation pressure for all four (4) tires is 13 psi (90 kPa). Adjust if necessary.

3.4 INSTALL SEAT RETAINING ROD.

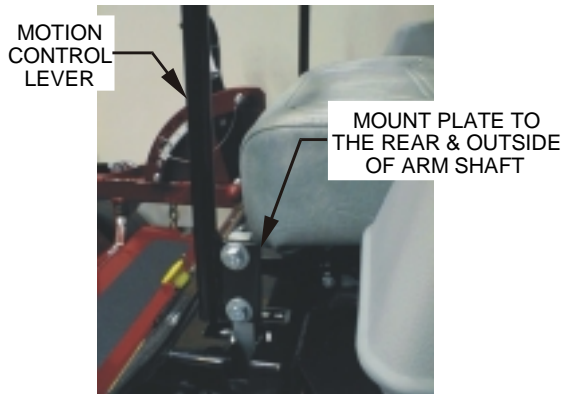
3.4.1 Tilt seat up. Remove 5/16" nylock nut from bolt attaching seat retaining rod to seat frame. Remove ignition keys attached to bolt. Remove retaining rod from seat and insert the "L" shaped end of the rod into the hole directly above the left-side hydraulic pump (the "L" must be positioned to the left or pointing up). Position the seat retaining rod to the outside of the mounting tab on the seat frame and secure with 5/16" x 1" bolt and nyloc nut. Tighten until snug, then loosen just enough so the rod pivots freely.

3.5 INSTALL MOTION CONTROL LEVERS.

3.5.1 Loosen and remove the two (2) 3/8" x 1" bolts and spring disc washers which attach the motion control levers to the control arm shafts for shipping and the two (2) 3/8" x 1" bolts and spring disc washers which are screwed into the control arm shafts.

a) Install the left motion control lever onto the control arm shaft (See Fig 1) on the left side of the console. Place the lever (with the mounting plate towards the rear) on the **outside** of the control arm shaft and secure with the bolts and washers. Position the lever so the bolts are in the center of the slots on the lever mounting plate and tighten until snug. Repeat on opposite side of unit.

If the levers do not align with each other, when in the neutral position, (See Fig 2) loosen the hardware and make the appropriate adjustment by sliding/tilting the lever(s) forward or backward until properly aligned and tighten hardware.



**FIG. 1
CONTROL ARM SHAFT**



**FIG. 2
LEVER ALIGNMENT**

- b) If the ends of the levers hit against each other, while in the drive position (levers rotated in as far as possible), make adjustments by moving the levers outwards to the neutral lock position and carefully bend them outward. Move them back to the drive position and check for clearance, repeat if necessary.

3.6 POSITION DISCHARGE CHUTE.


- 3.6.1 Loosen two (2) 5/16" nylock nuts attaching discharge chute. Lower the discharge chute into position. Retighten nylock nuts until chute is snug but can pivot freely.


3.7 SERVICE ENGINE.

Engine is shipped with oil, check oil level and if necessary fill to the appropriate level with SAE 10W-30 or 10W-40, AP1 service class SF or SG for operating in temperatures above 0° F (-18° C). See Engine Operator's Manual.


3.8 SERVICE BATTERY. Machine is shipped with a dry battery.

- 3.8.1 Remove battery from machine. Tilt seat up to gain access to the battery. **Disconnect** battery cables - **negative(black) cable first**. Remove battery hold-down and lift battery out.
- 3.8.2 Place battery on a level surface and remove vent caps.

|  DANGER | |
|---|--|
| POTENTIAL HAZARD | |
| ◆ Battery electrolyte contains sulfuric acid, which is poisonous and can cause severe burns | |
| WHAT CAN HAPPEN | |
| ◆ Swallowing electrolyte can be fatal or if it touches skin can cause severe burns. | |
| HOW TO AVOID THE HAZARD | |
| ◆ Wear safety glasses to shield eyes, and rubber gloves to protect skin and clothing when handling electrolyte. | |
| ◆ Do not swallow electrolyte. | |
| ◆ Fill the battery where clean water is available for flushing skin. | |

|  DANGER |
|---|
| POTENTIAL HAZARD <ul style="list-style-type: none"> ◆ Charging the battery may produce explosive gasses |
| WHAT CAN HAPPEN <ul style="list-style-type: none"> ◆ Battery gasses can explode causing serious injury. |
| HOW TO AVOID THE HAZARD <ul style="list-style-type: none"> ◆ Keep sparks, flames, or cigarettes away from battery. ◆ Ventilate when charging or using battery in an enclosed space. ◆ Make sure venting path of battery is always open once battery is filled with acid. |

- 3.8.3 Fill cells with battery grade sulfuric acid (1.265 specific gravity) to halfway between top of separators and bottom of vent well.
- 3.8.4 Let battery stand for 1/2 hour after filling. If battery acid level has fallen, refill to level above plates.
- 3.8.5 Charge the battery at 4 to 5 amps for 3-5 hours.
- 3.8.6 After charging, install vent caps and wash off any acid with water and dry battery.

|  CAUTION |
|--|
| POTENTIAL HAZARD <ul style="list-style-type: none"> ◆ If the ignition is in the "ON" position there is potential for sparks and engagement of components. |
| WHAT CAN HAPPEN <ul style="list-style-type: none"> ◆ Sparks could cause an explosion or moving parts could accidentally engage causing personal injury. |
| HOW TO AVOID THE HAZARD <ul style="list-style-type: none"> ◆ Be sure ignition switch is in the "OFF" position. |

- 3.8.7 Install battery in machine and secure battery hold-down. **DO NOT over-tighten.**

Connect battery cables - **positive (red) cable first**, then the negative (black) cable and green/white wire. Slip insulator boot over the positive terminal.

NOTE: If time does not permit charging the battery, or if charging equipment is not available, follow steps 3.8.1 through 3.8.4 and install as described in 3.8.7. Then run the vehicle continuously for 20 to 30 minutes to sufficiently charge the battery.

After charging, if battery acid level has fallen, refill battery with clean drinking water (distilled water is preferred – if available).

| | |
|---|---|
|  WARNING | E513747 |
|    | |
| BATTERY CONTAINS SULFURIC ACID, AVOID CONTACT AND ALWAYS SHIELD EYES, FACE, SKIN AND CLOTHING FROM BATTERY, CIGARETTES, FLAMES OR SPARKS COULD CAUSE BATTERY TO EXPLODE. DO NOT CHARGE | OR USE BOOSTER CABLES OR ADJUST POST CONNECTIONS WITHOUT PROPER TRAINING. IN EVENT OF AN ACCIDENT FLUSH WITH WATER AND CALL A PHYSICIAN IMMEDIATELY. KEEP OUT OF REACH OF CHILDREN. |

PART NO. 513747

LOCATION: Top Center of Console
Under Front of Seat

3.9 SERVICE HYDRAULIC OIL

The machine is shipped with hydraulic oil filled to the top of the baffle in reservoir. Run the machine for approximately 15 minutes to allow any extra air to purge out of the hydraulic system. Check hydraulic reservoir and if necessary fill the reservoir to the appropriate level with Mobil 1 15W-50 synthetic motor oil.

4. OPERATION INSTRUCTIONS

4.1 CONTROLS

4.1.1 Familiarize yourself with all controls before operating the mower.

4.1.2 Motion Control Levers: Located on each side of the console.

The left lever controls the flow of hydraulic oil from the left hydrostatic pump to the left drive wheel motor. The right lever controls the flow of hydraulic oil from the right hydrostatic pump to the right drive wheel motor.

IMPORTANT: To begin movement (forward or backward) the operator must be in the seat, the brake lever must be disengaged (pushed down) before the motion control levers can be moved in or the engine will kill.

When levers are centered in the T-slot the drive system is in the neutral position. With levers moved out in the T-slot the drive system is in the **neutral lock** position (See Fig 3).

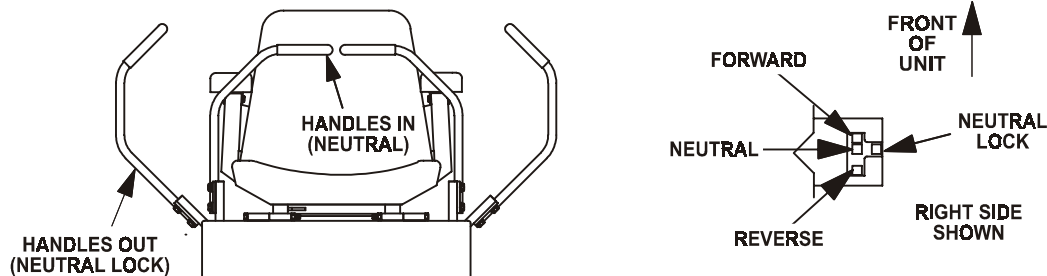


FIG. 3
MOTION CONTROL POSITIONS

By moving both levers an **equal** amount forward or back from the neutral position the machine can be caused to move forward or backward in a straight line.

Movement of the **left lever forward** will cause the **left drive wheel** to rotate in a forward direction. Movement of the **right lever forward** will cause the **right drive wheel** to rotate in a forward direction. To **stop** forward travel, pull the levers back to the neutral position.

To **turn left** while moving forward, move the **left lever** back toward neutral to slow the left drive wheel. To **turn right** while moving forward, move the **right lever** back toward neutral.

To make a **zero turn** to the **left**, pull the left lever back beyond neutral while holding the right lever slightly ahead of neutral.

To make a **zero turn** to the **right**, pull the right lever back beyond the neutral position while holding the left lever slightly ahead of the neutral position.

Pulling the **levers back** from the neutral position will cause the respective drive wheels to rotate in a **reverse** direction (spring tension can be felt when moving into reverse from neutral).

To turn to the left while backing, move the left lever forward toward neutral. To turn to the right while backing, move the right lever forward toward neutral.

CAUTION

POTENTIAL HAZARD

- ◆ Machine can spin very rapidly by positioning one lever too much ahead of the other.

WHAT CAN HAPPEN

- ◆ Operator may lose control of the machine, which may cause damage to the machine or injury.

HOW TO AVOID THE HAZARD

- ◆ Use caution when making turns.
- ◆ Slow the machine down before making sharp turns.

- 4.1.3 Blade Engagement Switch: Located just left of center on the console (left side of ignition switch). Switch must be **pulled out** to the “**ROTATE**” position to engage the blades. Switch is pushed in to the “**STOP**” position to stop the blades.
- 4.1.4 Choke Control: Located at center of console (right side of ignition switch). Choke is used to aid in starting a cold engine. The choke control is **pulled out** to be in the “**ON**” position and **pushed in** to be in the “**OFF**” position. **DO NOT** run a warm engine with choke in the “**ON**” position.
- 4.1.5 Throttle Control: Located on console just right of center. Throttle is used to control engine speed. Moving throttle lever **forward** will increase engine speed and moving throttle lever **to the rear** will decrease engine speed.
- 4.1.6 Brake Lever: Located on left side of the console. The brake lever engages a parking brake on the drive wheels.
Pull the lever up and **rearward** to **engage** the brake.
Push the lever **forward** and **down** to **disengage** the brake.
When parking on a steep slope, the wheels must be chocked or blocked in addition to the brake being engaged. The unit must be tied down and brake engaged when transporting.
- 4.1.7 Ignition Switch: Located on the lower center of console. The ignition switch is used to start and stop the engine. The switch has three positions “**OFF**”, “**ON**” and “**START**”. Insert the key into switch and rotate clockwise to the “**ON**” position.
Rotate clockwise to the next position to engage the starter (key must be held against spring pressure in this position).
Operator must be in seat with brake engaged, motion control levers out (neutral lock position) and blade engagement switch “OFF” to start engine.
- 4.1.8 Hour Meter: Located left on center of console. The hour meter is connected to a pressure switch installed in the engine block and it records the number of hours that the engine has run. If ignition switch is left on without engine running, hour meter will not run.
NOTE: This switch is not a low oil sensor and will not alert the operator if the engine oil is low.
- 4.1.9 Fuel Shut-Off Valve: Located directly below center of console.

The fuel shut-off valve is used to shut off the fuel when the machine will not be used for a few days, during transport to and from the jobsite, and when parked inside a building. The valve has three positions, each position made in 1/4 turn increments.

Valve handle down is the "OFF" position. Rotate valve handle 1/4 turn right (from "Off" position) for fuel flow from the right tank. Rotate valve handle 1/4 turn left (from "Off" position) for fuel flow from the left tank.

- 4.1.10 Drive Wheel Release Valves: The drive wheel release valve levers are 1/4-20x2 screws covered with a black vinyl grip located on the right front corner of the hydrostatic pumps. Drive wheel release valves are used to release the hydrostatic drive system to allow the machine to be pushed without the engine running. Tilt seat up to gain access to pumps.


Loosen both valves one turn to release drive system.

Tighten to reset system. **DO NOT overtighten. DO NOT tow machine.**

4.2 PRE-START

- 4.2.1 Fill fuel tanks. For best results use only clean, fresh regular grade **unleaded** gasoline with an octane rating of 87 or higher. Regular grade leaded gasoline may also be used; however, combustion chamber and cylinder head will require more frequent service. See Engine Owner's Manual. **DO NOT** add oil to gasoline.

Never fill the fuel tank so that the fuel level rises above a level that is 1/2" below the bottom of the filler neck to allow for fuel expansion and prevent fuel spillage.

|  DANGER |
|--|
| POTENTIAL HAZARD <ul style="list-style-type: none">◆ In certain conditions gasoline is extremely flammable and highly explosive. |
| WHAT CAN HAPPEN <ul style="list-style-type: none">◆ A static charge can ignite gasoline vapors. A fire or explosion from gasoline can burn you, others, and cause property damage. |
| HOW TO AVOID THE HAZARD <ul style="list-style-type: none">◆ Purchase and store gasoline only in an approved container.◆ Always place gasoline containers on the ground away from your vehicle before filling.◆ Do not fill gasoline containers inside a vehicle or on a truck or trailer bed because interior carpets or plastic truck bed liners may insulate the container and slow the loss of any static charge.◆ When practical, remove gas-powered equipment from the truck or trailer and refuel the equipment with its wheels on the ground.◆ If this is not possible, then refuel such equipment on a truck or trailer from a portable container, rather than from a gasoline dispenser nozzle.◆ If a gasoline dispenser nozzle must be used, keep the nozzle in contact with the rim of the fuel tank or container opening at all times until fueling is complete. |

- 4.2.2 Make sure you understand the controls, their locations, their functions, and their safety requirements.
- 4.2.3 Refer to Maintenance, Section 5, and perform all the necessary inspection and maintenance steps.

4.3 MOWING

- 4.3.1 Open fuel shut-off valve (left or right tank).
- 4.3.2 Starting Engine: **Operator must be in seat** with the **brake engaged**, the **blade engagement switch disengaged**, and the **motion control levers out (neutral lock position)**.

On a **cold** engine, place the **throttle midway** between the “SLOW” and “FAST” positions and pull **choke** to the “ON” position. Turn ignition switch to the “start” position. Release the switch as soon as the engine starts.

IMPORTANT: DO NOT crank the engine continuously for more than ten (10) seconds at a time. If the engine does not start, allow a 60 second cool-down period between starting attempts. Failure to follow these guide lines can burn out the starter motor.

After starting a cold engine, gradually return choke to the “OFF” position as the engine warms up.

On a **warm** engine, place the **throttle midway** between the “SLOW” and “FAST” positions and leave the **choke** in the “OFF” position.

- 4.3.3 Engaging Electric Blade Clutch: The electric blade clutch push-pull switch engages the cutting blades. Be sure that **all** persons are **clear** of mower deck and discharge area **before engaging** cutting blades.

IMPORTANT: Operator must be in seat before the blades can be engaged.

Set throttle to "midway" position. Pull outward on the switch to the “ROTATE” position. Accelerate to full throttle to begin mowing.

- 4.3.4 Stopping Electric Blade Clutch: Set the throttle to the “IDLE” position. Push in on the switch to the “STOP” position stopping the cutting blades.
- 4.3.5 Stopping Engine: Bring unit to a **full stop**. **Disengage** the cutting blades, **move motion control levers out** to the **neutral lock** position and **set parking brake**.

Adjust engine speed to 1/2 throttle or higher.

Rotate ignition switch to “OFF” position. Remove the key to prevent children or other unauthorized persons from starting engine.

Close fuel shut-off valve when machine will not be used for a few days, when transporting, and when the unit is parked inside a building.

4.4 TRANSPORTING

- 4.4.1 Transporting a Unit: Use a heavy-duty trailer or truck to transport the machine. Lock brake and block wheels. Securely fasten the machine to the trailer or truck with straps, chains, cable, or ropes. Be sure that the trailer or truck has all necessary lighting and marking as required by law.

Secure a trailer with a safety chain.

CAUTION

POTENTIAL HAZARD

- ◆ This unit does not have proper turn signals, lights, reflective markings, or a slow moving vehicle emblem. These items are required to drive on a public street or roadway.

WHAT CAN HAPPEN

- ◆ Driving on a street or roadway without such equipment is dangerous and can lead to accidents causing personal injury.
- ◆ Driving on a street or roadway without such equipment may also be a violation of State laws and the operator may be subject to traffic tickets and/or fines.

HOW TO AVOID THE HAZARD

- ◆ Do not drive a unit on a public street or roadway.

WARNING

POTENTIAL HAZARD

- ◆ Loading a unit on a trailer or truck increases the possibility of backward tip-over.

WHAT CAN HAPPEN

- ◆ Backward tip-over of the unit could cause serious injury or death.

HOW TO AVOID THE HAZARD

- ◆ Use extreme caution when operating a unit on a ramp.
- ◆ Use only a single, full width ramp; DO NOT use individual ramps for each side of the unit.
- ◆ If individual ramps must be used, use enough ramps to create an unbroken ramp surface wider than the unit.
- ◆ DO NOT exceed a 15° angle between ramp and ground or between ramp and trailer or truck.
- ◆ Avoid sudden acceleration while driving unit up a ramp to avoid tipping backward.
- ◆ Avoid sudden deceleration while backing unit down a ramp to avoid tipping backward.

- 4.4.2 Loading a Unit: Use extreme caution when loading units on trailers or trucks. One full width ramp that is wide enough to extend beyond the rear tires is recommended instead of individual ramps for each side of the unit. The lower rear section of the tractor frame extends back between the rear wheels and serves as a stop for tipping backward. Having a full width ramp provides a surface for the frame members to contact if the unit starts to tip backward. If it is not possible to use one full width ramp, use enough individual ramps to simulate a full width continuous ramp.

Ramp should be long enough so that the angles between the ramp and the ground and the ramp and the trailer or truck do not exceed 15°. A steeper angle may cause mower deck components to get caught as the unit moves from ramp to trailer or truck. Steeper angles may also cause the unit to tip backward. If loading on or near a slope, position the trailer or truck so it is on the down side of the slope and the ramp extends up the slope. This will minimize the ramp angle. The trailer or truck should be as level as possible.

DO NOT attempt to turn the unit while on the ramp, you may lose control and drive off the side.

Avoid sudden acceleration when driving up a ramp and sudden deceleration when backing down a ramp. Both maneuvers can cause the unit to tip backward.

5. MAINTENANCE & ADJUSTMENTS

5.1 PERIODIC MAINTENANCE

5.1.1 Check engine oil level:

Service Interval: Daily


- a) Make sure engine is stopped and on a level surface.
- b) Check with engine cold.
- c) Clean area around dipstick. Remove dipstick and wipe oil off. Reinsert the dipstick. Do not screw into place. Remove the dipstick and read the oil level.
- d) If the oil level is low, wipe off the area around the oil fill cap, remove cap and fill to the "F" mark on the dipstick. Use oil as specified in or in Engine Owner's Manual.

DO NOT overfill.

IMPORTANT: *DO NOT* operate the engine with the oil level below the "L" mark on the dipstick, or over the "F" mark.

5.1.2 Clean engine air cooling system:

***Service Interval: Daily or more often
in dry conditions***


|  CAUTION | |
|--|--|
| POTENTIAL HAZARD | ◆ Excessive debris can cause the engine and hydraulic system to overheat. |
| WHAT CAN HAPPEN | ◆ Excessive debris around the engine cooling air intake and inside of the pump compartment can create a fire hazard. |
| HOW TO AVOID THE HAZARD | ◆ Clean all debris from around the engine and hydraulic pumps daily. |

- a) Stop engine and remove key.
- b) Clean all debris from rotating engine air intake screen and from around engine shrouding.

5.1.3 Clean grass build-up under deck.

Service Interval: Daily

- a) Stop engine and remove key.
- b) Raise deck to the transport (4.5" cutting height) position.
Lift the front of unit and support unit using jack stands or equivalent support.

|  CAUTION | |
|--|--|
| POTENTIAL HAZARD <ul style="list-style-type: none">◆ Raising the mower deck for service or maintenance relying solely on mechanical or hydraulic jacks could be dangerous. | |
| WHAT CAN HAPPEN <ul style="list-style-type: none">◆ The mechanical or hydraulic jacks may not be enough support or may malfunction allowing the unit to fall, which could cause injury. | |
| HOW TO AVOID THE HAZARD <ul style="list-style-type: none">◆ DO NOT rely solely on mechanical or hydraulic jacks for support. Use adequate jack stands or equivalent support. | |

- c) Clean out any grass build-up from underside of deck and in deck discharge chute.

5.1.4 Check mower blades.

Service Interval: Daily

- a) Stop engine and remove key.
- b) Lift deck and secure in raised position as stated in Section 5.1.3 .
- c) Inspect blades and sharpen or replace as required.
- d) Torque blade bolts as shown. Be sure the spring disk washer cone is installed toward the bolt head.

(See Figure 4).

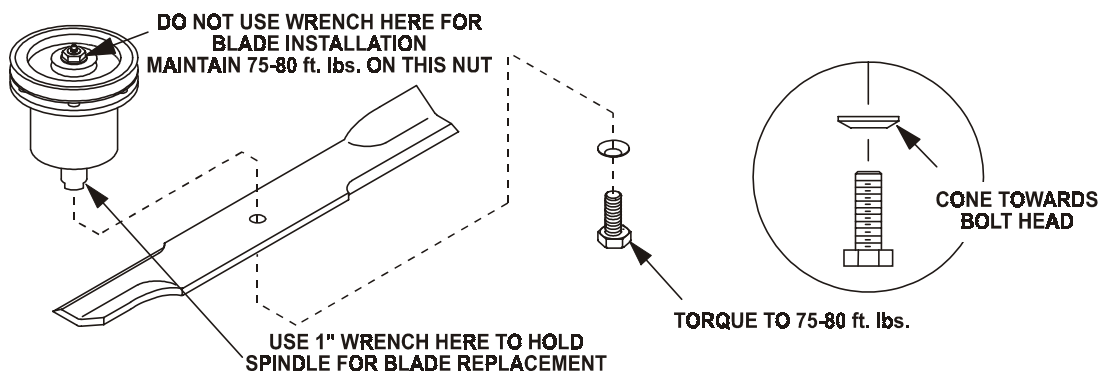


FIG. 4
BLADE BOLT INSTALLATION

5.1.5 Check safety interlock system.

Service Interval: Daily

- a) Check starting circuit. Starter **should** crank with **operator in seat**, parking brake **engaged**, cutting blades **disengaged** and motion control levers moved out in the **neutral lock** position.

Try to start with **operator out of seat**, parking brake **engaged**, blades **disengaged** and motion control levers in **neutral lock** position - starter **must not crank**.

Try to start with **operator in seat**, parking brake **disengaged**, blades **disengaged** and motion control levers in the **neutral lock** position - starter **must not crank**.

Try to start with **operator in seat**, parking brake **engaged**, blades **engaged** and motion control levers in the **neutral lock** position - starter **must not crank**.

Try to start with **operator in seat**, parking brake **engaged**, blades **disengaged**, and the **left motion control lever in**, starter **must not crank**, repeat again with the **right lever in**, then with **both levers in** - starter **must not crank**.

- b) Check kill circuits. Run engine at one-third throttle, **disengage** parking brake and **raise off** of seat (but do not get off of machine) engine **must stop** after approx. 1/2 second has elapsed (seat has time delay kill switch to prevent cut-outs on rough terrain).

Run engine at one-third throttle, **engage cutting blades** and **raise off** of seat (but do not get off of machine) engine **must stop** after 1/2 second has elapsed.

Run engine at one-third throttle, with brake disengaged, move levers in and raise off seat (but do not get off of machine) engine **must stop** after 1/2 second has elapsed.

Again, run engine at one-third throttle, brake **engaged**, and move **left motion control lever in** - engine **must stop**.

Repeat again moving the **right lever in**, then moving **both levers in** - engine **must stop** whether operator is **on seat or not**.

NOTE: If machine does not pass any of these tests, do not operate. Contact your authorized EXMARK SERVICE DEALER.

IMPORTANT: It is essential that operator safety mechanisms be connected and in proper operating condition prior to use for mowing.

5.1.6 Check for loose hardware.

Service Interval: Daily

- a) Stop engine and remove key.
b) Visually inspect machine for any loose hardware or any other possible problem. Tighten hardware or correct the problem before operating.

5.1.7 Service air cleaner.

**Service Interval: 25 hrs.
more often under severe conditions.**

- a) Stop engine and remove key.
b) Remove air cleaner compartment cover.

- c) Remove foam pre-cleaner element and wash in warm water with detergent. Rinse until all traces of detergent are eliminated and squeeze out excess water (**DO NOT wring**). Air dry. Saturate with engine oil and squeeze out excess oil.
- d) Check paper element. **Gently** tap the flat side of the paper element to dislodge any dirt. **DO NOT** wash or use pressurized air to clean paper element.
Replace if dirty, bent or damaged.
- e) Reinstall foam pre-cleaner to paper element, then reinstall paper element and cover.

5.1.8 Change engine oil:

Service Interval: 100 hrs.

NOTE: Change oil and filter after first five(5) hrs. of operation


- a) Stop engine and remove key.
- b) Drain oil while engine is warm from operation.
- c) Replace the oil filter **every other** oil change. Clean around oil filter and unscrew filter to remove. Before reinstalling new filter, apply a thin coating of oil on the surface of the rubber seal. Turn filter clockwise until rubber seal contacts the filter adapter then tighten filter an additional 2/3 to 3/4 turn.
- d) Clean around oil fill cap and remove cap. Fill to specified capacity and replace cap. Use oil recommended in engine owner's manual. **DO NOT** overfill.
- e) Start the engine and check for leaks.

5.1.9 Check hydraulic oil level:

Service Interval: 40 hr.

- a) Stop engine.
- b) Clean area around hydraulic reservoir cap and remove cap.
Oil level should be to the top of the baffle inside the tank. If not, add oil.

Use only Mobil 1 15W-50 synthetic motor oil.

|  WARNING | |
|--|--|
| POTENTIAL HAZARD | <ul style="list-style-type: none"> ◆ Hydraulic fluid escaping under pressure can penetrate skin and cause injury. |
| WHAT CAN HAPPEN | <ul style="list-style-type: none"> ◆ Fluid accidentally injected into the skin must be surgically removed within a few hours by a doctor familiar with this form of injury or gangrene may result. |
| HOW TO AVOID THE HAZARD | <ul style="list-style-type: none"> ◆ Make sure all hydraulic fluid hoses and lines are in good condition and all hydraulic connections and fittings are tight before applying pressure to hydraulic system. ◆ Keep body and hands away from pinhole leaks or nozzles that eject high pressure hydraulic fluid. ◆ Use cardboard or paper to find hydraulic leaks. ◆ Safely relieve all pressure in the hydraulic system before performing any work on the hydraulic system. |

5.1.10 Check tire pressures:

Service Interval: 40 hrs.

- a) Stop engine and remove key.
- b) Inflate all four tires to 13 psi (90 kPa).

5.1.11 Check battery electrolyte level:

Service Interval: 40 hrs.

- a) Stop engine and remove key.
- b) Tilt seat up.
- c) Remove vent caps from battery. Fill with water (distilled is recommended) to bottom of vent wells and replace vent caps.
- d) See Assembly Section 3.8, for servicing a new battery.

| | | |
|--|--|---|
|  |  WARNING | E513747 |
| BATTERY CONTAINS SULFURIC ACID, AVOID CONTACT AND ALWAYS SHIELD EYES, FACE, SKIN AND CLOTHING FROM BATTERY. CIGARETTES, FLAMES OR SPARKS COULD CAUSE BATTERY TO EXPLODE. DO NOT CHARGE | | OR USE BOOSTER CABLES OR ADJUST POST CONNECTIONS WITHOUT PROPER TRAINING. IN EVENT OF AN ACCIDENT FLUSH WITH WATER AND CALL A PHYSICIAN IMMEDIATELY. KEEP OUT OF REACH OF CHILDREN. |

PART NO. 513747

LOCATION: Top Center of Console
Under Front of Seat

5.1.12 Check condition of belts:

Service Interval: 40 hrs.

- a) Stop engine and remove key.
- b) Check under engine deck to check pump drive belt.
- c) Remove left and right belt shields on deck and lift up floor pan to inspect deck drive belt.
- d) See Sections 5.2.3 and 5.2.4, for belt adjustment.

5.1.13 Lubricate grease fittings:

Service Interval: Refer to chart.

- a) Stop engine and remove key.
- b) Lubricate fittings with one to two pumps of SAE No. 2 multi-purpose gun grease.

Refer to the following chart for fitting locations and lubrication schedule.

LUBRICATION CHART

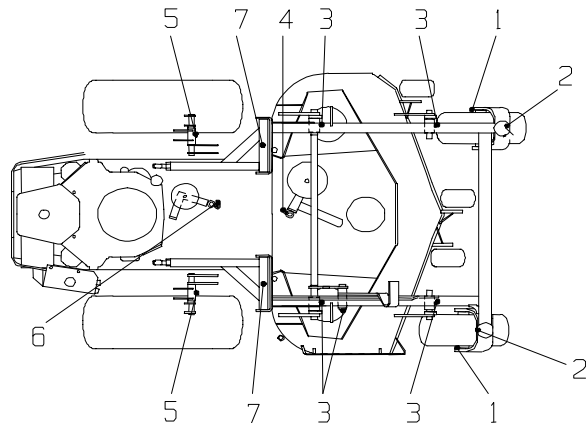
| FITTING LOCATIONS | INITIAL PUMPS | NO. of PLACES | SERVICE INTERVAL* |
|------------------------------|---------------|---------------|-------------------|
| 1. Front Casters | 2 | 2 | 40 hours |
| 2. Front Caster Pivots | 0 | 2 | **yearly |
| 3. Height Adj. Shaft Brngs. | 1 | 5 | 40 hours |
| 4. Deck Drive Belt Idler Arm | 1 | 1 | 40 hours |
| 5. Brake Brackets | 1 | 2 | 200 hours |
| 6. Pump Drive Belt Idler Arm | 1 | 1 | 40 hours |
| 7. Deck Rear Struts | 1 | 2 | 40 hours |

* More often if operating under severe conditions.

** See 5.1.13 Section c) for special lubrication instructions.

No. 6 (Pump Drive Belt Idler Arm)
Located Under Deck - Grease through hole in
top of deck, between pumps.

No. 4 & 6 (Idler Arms)
Monthly disassemble belt and spring and
grease under a "NO LOAD" condition.



- c) Lubricate front caster pivots once a year. Remove hex plug and cap. Thread grease zerk in hole and pump with grease until it oozes out around top bearing. Remove grease zerk and thread plug back in. Place cap back on.

5.1.14 Lubricate seat switch actuator:

Service Interval: 160 hrs.

- a) Stop engine and remove key.
- b) Tilt seat up.
- c) Lubricate switch actuator rod with spray type lubricant or light oil.

5.1.15 Lubricate brake handle pivot:

Service Interval: 160 hrs.

- a) Stop engine and remove key.
- b) Lubricate bronze bushings on brake handle pivot with a spray type lubricant or light oil.

5.1.16 Lubricate brake rod bushings:

Service Interval: 160 hrs.

- a) Stop engine and remove key.
- b) Tilt seat up.
- c) Lubricate bronze bushings on each end of brake rod shafts with a spray type lubricant or a light oil. One shaft is located under the console. The other is below and behind the seat.

5.1.17 Lubricate motion control bronze bushings:

Service Interval: 160 hrs.

- a) Stop engine and remove key.
- b) Tilt seat up.
- c) Lubricate bronze bushings on flange bearings securing the motion control arm shafts with a light oil or a spray type lubricant.

5.1.18 Remove engine shrouds and clean cooling fins:

Service Interval: 80 hrs.

- a) Stop engine and remove key.
- b) Remove cooling shrouds from engine and clean cooling fins. Also clean dust, dirt and oil from external surfaces of engine which can cause improper cooling.
- c) Make sure cooling shrouds are reinstalled. Operating the engine without cooling shrouds will cause engine damage due to overheating.

5.1.19 Check spark plugs:

Service Interval: 160 hrs.

- a) Remove spark plugs, check condition and reset gaps, or replace with new plugs. See Engine Owners Manual.

5.1.20 Change fuel filter:

Service Interval: As Required

- a) A fuel filter is installed between the fuel tanks and the engine. Replace when necessary.
For Kohler engines use **Kohler** P/N 2405002.
For Kawasaki engines use **Kawasaki** P/N 49019-2075

5.1.21 Change hydraulic system filter:

**Service Interval: After First 250 hrs.
Then yearly thereafter**

NOTE: Use only Exmark Part No. 513211 for Summer use above 32° F or Part No. 523541 for Winter use below 32° F.

- a) Stop engine and remove key.
- b) Locate filter under right rear corner of engine deck.
- c) Carefully clean area around filter. It is **important** that **no dirt or contamination** enter hydraulic system.
- d) Unscrew filter to remove and allow oil to drain from reservoir.
IMPORTANT: Before reinstalling new filter, fill it with Mobil 1 15W-50 and apply a thin coat of oil on the surface of the rubber seal.
Turn filter clockwise until rubber seal contacts the filter adapter then tighten the filter an additional 2/3 to 3/4 turn.
- e) Fill reservoir as stated in Section 5.1.9.
- f) Raise the rear of machine up and support with jack stands (or equivalent support) just high enough to allow drive wheels to turn freely.
- g) Start engine and move throttle control ahead to full throttle position. Move the speed control levers to the full speed and run for several minutes. Shut down machine and recheck oil level.

Do not change hydraulic system oil (except for what can be drained when changing filter), unless it is felt the oil has been contaminated or been extremely hot.

Changing oil unnecessarily could **damage** hydraulic system by introducing contaminants into the system.

5.1.22 Wheel hub - slotted nut torque specification.

When tightening the slotted nut on the wheel motor tapered shaft:

- a) Torque the slotted nut to 125 ft. lbs.
- b) Check distance from bottom of slot in nut to inside edge of hole. Two threads (0.1") or less should be showing.
- c) If more than two threads (0.1") are showing remove nut and install washer (PN 523157) between hub and nut.
- d) Torque the slotted nut to 125 ft. lbs.
- e) Then tighten the nut until the next set of slots line up with the cross hole in the shaft. Replace cotter pin.

5.1.23 Fuel Tank – mounting hardware specification.

When installing the nuts onto the fuel tank studs, fully tighten the nyloc nut and back off 1/2 turn. This allows for normal fuel tank expansion and contraction with changes in temperature and fuel levels.

5.1.24 Thread locking adhesives such as “Loctite 242” or “Fel-Pro, Pro-Lock Nut Type” are used on the following fasteners:

- a) Pump drive sheave setscrews.
- b) Square head setscrews on Hydro pump control arms.
- c) Sheave retaining bolt in the end of engine crankshaft.

Adhesives such as “Loctite RC/609 or RC/680” or “Fel-Pro Pro-Lock Retaining I or Retaining II” are used on the following:

- b) Fuel tank studs where studs are inserted into tank.

5.1.25 Dielectric grease is used on all blade type electrical connections to prevent corrosion and loss of contact.

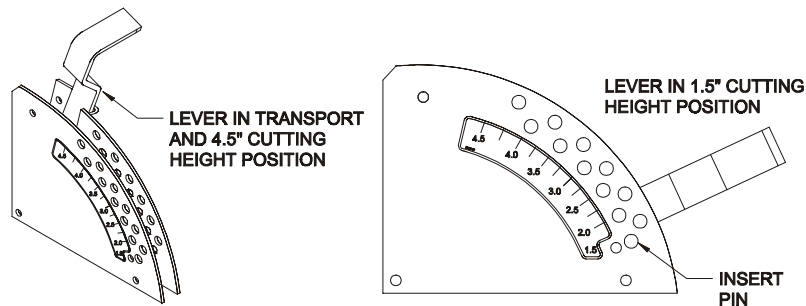
5.2 ADJUSTMENTS

IMPORTANT: Disengage blade clutch, shut off engine and remove key before servicing, cleaning or making adjustments.

5.2.1 Cutting Height Adjustment.

- a) Stop machine and move drive levers out to neutral lock position.
- b) Disengage blades.
- c) Raise the deck lever to the transport position (also the 4.5” cutting height position). See Fig 5.

NOTE: When changing cutting height positions, always come to a complete stop and disengage the mower blades.



**FIG. 5
CUTTING HEIGHT POSITION**

- d) Insert height adjustment pin into hole corresponding to desired cutting height and install hairpin cotter. See decal on deck lift plate.
- e) Move lever out of transport (or 4.5” cutting height) position and down onto height adjustment pin to mow at selected height.
- f) To transport, move lever back up to transport (or 4.5” cutting height) position.
- g) Adjust anti-scalp rollers for Normal Operating Conditions. Stop engine and remove key. Place rollers in one of the positions shown in Fig. 6. Rollers will maintain 3/4 in. (19 mm) clearance to the ground to minimize gouging and roller wear or damage. **For Maximum Deck Flotation**, place rollers one hole position lower. Rollers should maintain 1/4 in. (6.4 mm) minimum clearance to ground. **Do Not** adjust rollers to support the deck. Be sure *bolt is tightened properly* or loss of anti-scalp roller may result.

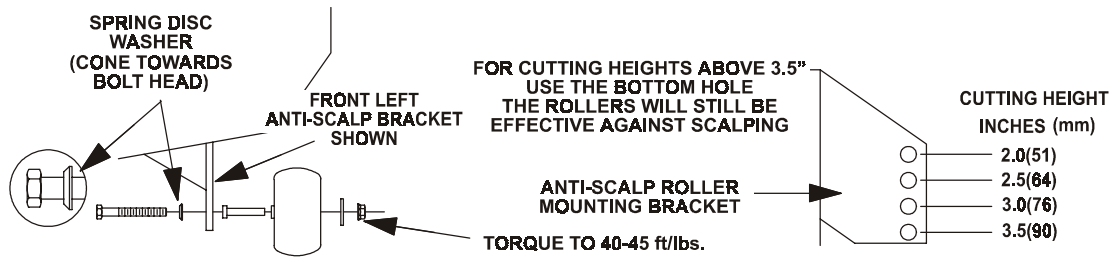


FIG. 6
ANTI-SCALP ROLLER ADJUSTMENT

5.2.2 Deck Leveling:

- a) Position mower on a flat surface.
- b) Stop engine and remove key.
- c) Check tire pressure of all four (4) tires. If needed, adjust to 13 psi (90 kPa).
- d) Set anti-scalp rollers to top holes or remove them completely for this adjustment.
- e) Raise the deck to the 4.5" height position and take as much force as possible off of the two large deck lift springs by loosening the nuts at the front of each spring. See Fig. 7.
- f) Lower the deck to the 1-1/2" height position. Place two 1-5/16" thick blocks under the rear edge of the cutting deck skirt; one on each side of the cutting deck. Place a 1-1/8" block under the center front edge, but not under the anti-scalp roller brackets.
- g) Loosen the two (2) bottom chain bolts in slots at the rear of the cutting deck. Loosen four (4) nuts which secure front swivels (two per side), until front chains are loose and front of deck is supported by the 1-1/8" block. Do not loosen front chain hardware.
- h) When hardware is loosened, remaining tension in the large support springs will tend to rotate the deck lift handle up, out of the 1 1/2" position. Press down on the rear deck support arm (as shown in Fig. 7) to firmly return the deck lift handle to the 1 1/2" position. **DO NOT** push on deck lift handle. While continuing to press down, take the slack out of the rear chains and tighten hardware at the bottom of the rear chains. Downward pressure may now be released.
- i) On left side, adjust front swivel using the locking nut behind the swivel until the front chain is tight and all slack is removed from linkage. Do not lift front of deck off 1-1/8" block. Secure front swivel using locking nut in front of swivel. Repeat for right side.

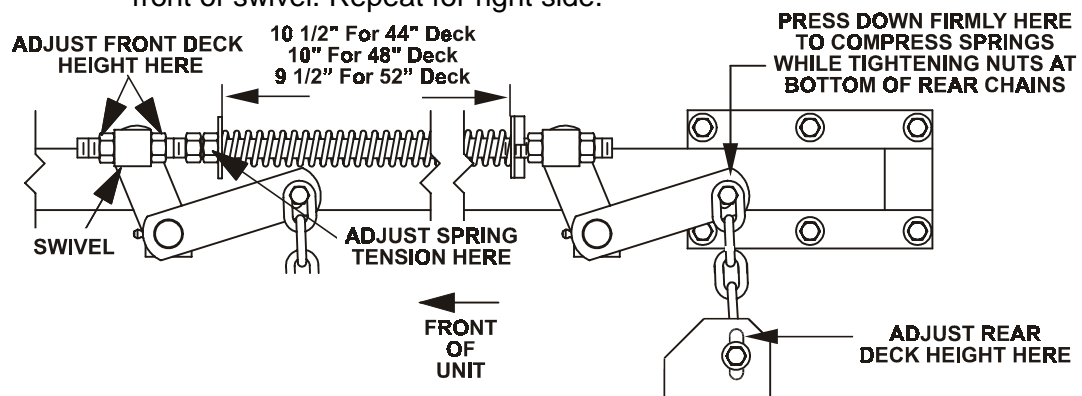


FIG. 7
SWIVEL ADJUSTMENT
SPRING COMPRESSION ADJUSTMENT

- j) Recheck that blocks fit just snugly under the deck skirt and that the tension on all the chains are approximately equal. Make sure all chain attachment bolts are tight.
- k) Raise deck lift lever to the 4.5" cutting height position (also transport position, See Fig 5. Adjust spring compression until proper distance is obtained between the two washers (See Fig 7) by turning the nut at the front of each spring. Lock nuts in position with jam nuts.
- l) Reposition anti-scalp rollers and tighten securely.

NOTE: When above adjustments have been made, the front of the deck will be slightly lower than the rear of the deck.

5.2.3 Pump Drive Belt Tension.

Self-tensioning - No adjustment necessary.

5.2.4 Deck Belt Tension.

Self-tensioning - No adjustment necessary.

5.2.5 Adjust Seat Switch.

- a) If necessary, adjust the seat actuator rod length to where the machine will shut off when the operator raises off the seat (with **brake disengaged or blade switch engaged**) but will continue to run with operator in seat (a slight shift in weight should not shut machine off). Normal adjustment is when length of spring is 2.09" (with seat up).

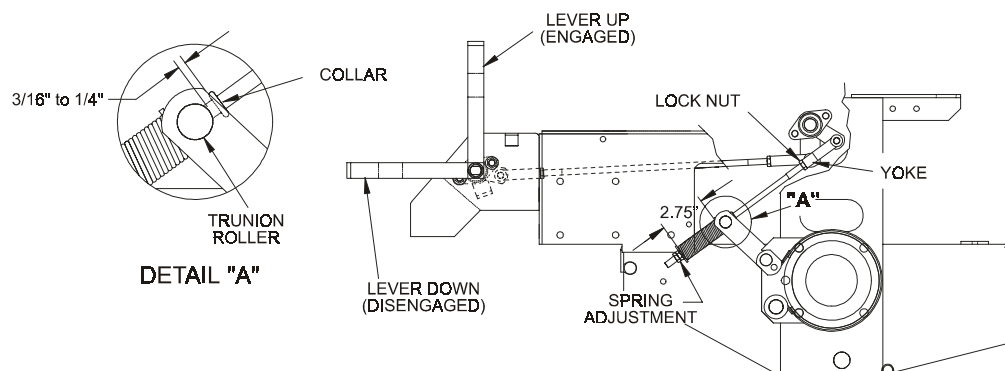
NOTE: To prevent rough ground cut-outs the unit is equipped with a time delayed seat switch. When the operator raises off the seat with either the brake disengaged or the cutting blades engaged, the engine should stop after 1/2 second has elapsed.

- b) To adjust seat switch, loosen locknut on bottom of the actuator rod (5/16 x 7" bolt) and adjust the nuts to move the actuator plate up or down on the rod.

5.2.6 Brake Link Adjustment.

Check to make sure brake is adjusted properly.

- a) Disengage brake lever (lever down).
- b) Measure the length of the spring. Measurement should be 2.75" between washers (see Fig 8).
- c) If adjustment is necessary, tighten the lock nut directly below the yoke and loosen the two nuts jammed together below the spring. Turn the nut directly below the washer until the correct measurement is obtained. Tighten the two jam nuts below the spring together and repeat on opposite side of unit.



**FIG. 8
BRAKE ADJUSTMENT**

5.2.7 Brake Adjustment.

- a) Check for brake link 2.75" measurement as described in section 5.2.6.
- b) Engage brake lever (lever up).
- c) Measure the distance between the trunion roller and the rod collar as shown in Fig. 8A. Measurement should be 3/16" to 1/4" (See Fig 8). A 3/16" or 1/4" square key works well as a shim gauge.
- d) If adjustment is necessary, loosen the nut directly below the yoke. Turn the bottom nut (below washer) until the correct measurement is obtained (See Fig 8) turn nut clockwise to lengthen the gap (screws rod into yoke) and turn counter-clockwise to shorten the gap (screws rod out of yoke). Tighten nut against yoke and check opposite side of unit, repeat if necessary.

5.2.8 Adjust Throttle Lever Tension.

- a) Stop engine and remove key.
- b) Tension in throttle lever can be adjusted by adjusting the tightness of the lever pivot bolt, which is located under the console. See Fig. 9.

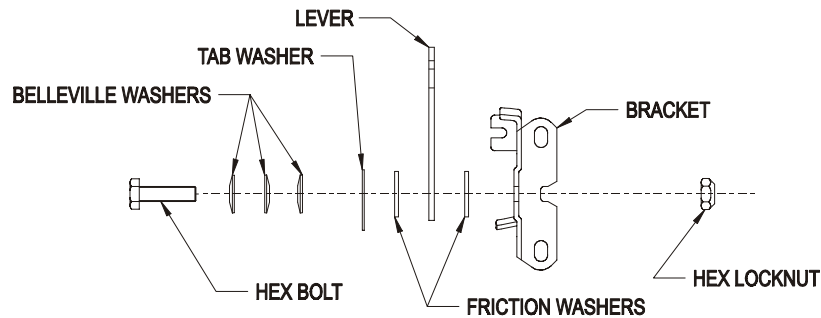


Fig. 9
THROTTLE TENSION


5.2.9 Electric Clutch Adjustment:


No adjustment necessary.

5.2.10 Reverse Indicator Adjustment:

- a) Stop engine and remove ignition key.
- b) Tilt seat forward.
- c) Begin with either the left or right motion control lever. Move lever to the neutral position and pull lever back until the clevis pin (on arm below pivot shaft) contacts the end of the slot (just beginning to put pressure on spring), See Fig 10.
- d) Check where lever is relative to notch in console (should be centered allowing lever to pivot outward to the neutral lock position).
- e) If adjustment is needed, loosen the nut against the yoke and while applying slight rearward pressure on the motion control lever, turn the head of the adjustment bolt in the appropriate direction until lever is centered (keeping rearward pressure on the lever will keep the pin at the end of the slot and allow the adjustment bolt to move the lever to the appropriate position). Tighten lock nut.
- f) Repeat on opposite side of unit.

5.2.11 Motion control linkage adjustment.

|  WARNING |
|--|
| POTENTIAL HAZARD <ul style="list-style-type: none">◆ Engine must be running and drive wheels must be turning so motion control adjustment can be performed. |
| WHAT CAN HAPPEN <ul style="list-style-type: none">◆ Contact with moving parts or hot surfaces may cause personal injury. |
| HOW TO AVOID THE HAZARD <ul style="list-style-type: none">◆ Keep fingers, hands, and clothing clear of rotating components and hot surfaces. |

|  CAUTION |
|--|
| POTENTIAL HAZARD <ul style="list-style-type: none">◆ Raising the mower deck for service or maintenance relying solely on mechanical or hydraulic jacks could be dangerous. |
| WHAT CAN HAPPEN <ul style="list-style-type: none">◆ The mechanical or hydraulic jacks may not be enough support or may malfunction allowing the unit to fall, which could cause injury. |
| HOW TO AVOID THE HAZARD <ul style="list-style-type: none">◆ DO NOT rely solely on mechanical or hydraulic jacks for support. Use adequate jack stands or equivalent support. |

- a) This adjustment must be made with the drive wheels turning. First raise the frame and block up so that drive wheels can rotate freely.
- b) Remove the electrical connection from the seat safety switch, located directly to the left of the seat switch assembly beside the hydraulic oil reservoir.
Temporarily install a jumper wire across the terminals in the connector of the wiring harness.
- c) Run the unit at least 5 minutes with the drive levers at full forward speed to bring hydraulic system oil up to operating temperature.
- d) Tilt seat forward.
- e) Loosen locknuts from the ball joints on the two rods which connect the motion control assemblies to the pump control arms (See Fig 10).
NOTE: The nuts to the rear of the unit on each rod have left-hand threads.

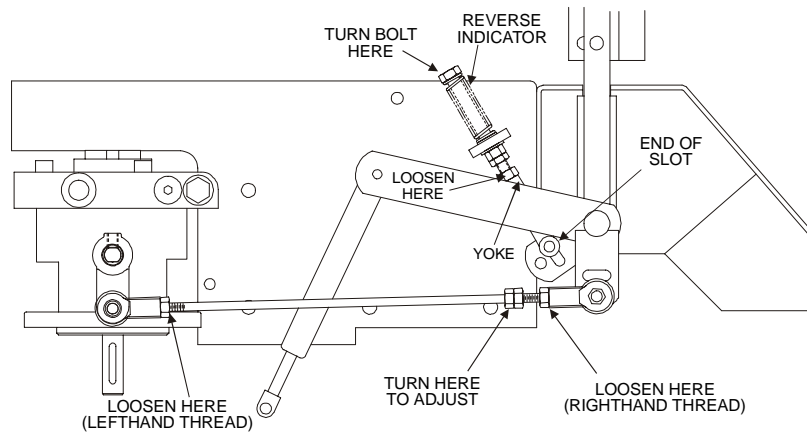


FIG. 10
MOTION CONTROL ADJUSTMENT

- f) Start engine. **Brake must be engaged and motion control levers out to start engine. Operator does not have to be in the seat because of the jumper wire being used.**

Run engine at full throttle and release brake.

- g) The reverse indicator spring must be correct before the following adjustments can be made. See Section 5.2.10.
- h) Begin on either the left or right side of unit and bring the motion control lever into the neutral position.

Adjust pump control rod length by rotating the double nuts on the rod in the appropriate direction until the wheels slightly creep in reverse. (See Fig 10). Move the motion control lever to the reverse position and while applying slight pressure to the lever, allow the reverse indicator spring to bring the levers back to neutral.

The wheel must stop turning or slightly creep in reverse.

NOTE: The motion control lever needs to be in neutral while making any necessary adjustments.

The left rod assembly controls the left wheel and the right rod assembly controls the right wheel.

- i) Repeat on opposite side of unit. Tighten locknuts against balljoints.
- j) Shut off unit. Remove jumper wire from wire harness connector and plug connector into seat switch.

5.2.12 Caster pivot bearings pre-load adjustment.

- a) Remove dust cap from caster and tighten nyloc nut until washers are flat and back off 1/4 of a turn to properly set the pre-load on the bearings. If disassembled make sure the spring washers are reinstalled as shown in Figure 11.

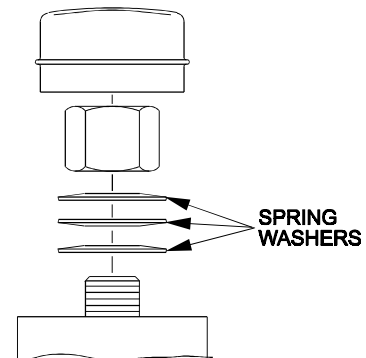



FIG. 11
CASTER ADJUSTMENT

6. WASTE DISPOSAL

6.1 MOTOR OIL DISPOSAL

Engine oil and hydraulic oil are both pollutants to the environment. Dispose of used oil at a certified recycling center or according to your state and local regulations.

6.2 MERCURY SWITCH DISPOSAL

|  CAUTION | |
|--|--|
| POTENTIAL HAZARD | ◆ The mercury contained in the tilt switch is poisonous. |
| WHAT CAN HAPPEN | ◆ Exposure to mercury can cause severe illness. |
| HOW TO AVOID THE HAZARD | ◆ Never attempt to open or repair the tilt switch ◆ Avoid contact with the mercury. |


The tilt switch (PN 633782) on this unit contains mercury, a hazardous material. Mercury that is outside a sealed container vaporizes at room temperature. The vapors are harmful. Mercury can be absorbed through the skin. Do not attempt to open or repair this switch.

A very small amount of mercury is contained in a hermetically sealed body. The steel switch is then potted in a hard epoxy in a plastic case. It is unlikely that the mercury will ever escape from the enclosure. These high performance and reliable inexpensive switches are recyclable. Mercury is an important and beneficial compound but requires special care in handling and disposal. When used and managed properly, mercury is not a threat to people or the environment. This information is presented to users so that they are aware that these switches contain mercury and will apply sound disposal practices when these devices reach their normal end of life or are damaged.

Several states have passed laws concerning the disposal of devices containing mercury. In all the remaining states it is advisable to follow similar procedures. The laws state that these sealed devices contain mercury and should not be placed in the garbage until the mercury is removed and reused, recycled or otherwise managed to insure that it does not become part of solid waste or waters. Management and disposal practices must be within relevant federal, state or local laws.

Return the switch to your Exmark dealer if it is faulty and is being replaced or if the unit containing the switch is no longer operating and is being scrapped. If the switch is damaged or broken open use extreme caution in handling. Call you local waste management authority or Exmark Customer Service for instructions.

6.3 BATTERY DISPOSAL

|  DANGER |
|--|
| POTENTIAL HAZARD <ul style="list-style-type: none">◆ Battery electrolyte contains sulfuric acid, which is poisonous and can cause severe burns |
| WHAT CAN HAPPEN <ul style="list-style-type: none">◆ Swallowing electrolyte can be fatal or if it touches skin can cause severe burns. |
| HOW TO AVOID THE HAZARD <ul style="list-style-type: none">◆ Wear safety glasses to shield eyes, and rubber gloves to protect skin and clothing when handling electrolyte.◆ Do not swallow electrolyte. |

Federal law states that batteries should not be placed in the garbage. Management and disposal practices must be within relevant federal, state or local laws.

If a battery is being replaced or if the unit containing the battery is no longer operating and is being scrapped, take the battery to a local certified recycling center. If no local recycling is available return the battery to any certified battery reseller.

7. TROUBLE SHOOTING

7.1 MOWER PULLS LEFT OR RIGHT (W/LEVERS FULLY FORWARD).

- It is common for a machine to pull slightly left or right with levers fully forward. Move levers forward and compensate as necessary
- Check air pressure in tires; 13 psi/drive, 13 psi/ pneumatic castors.
- Check reverse indicator and motion control linkage adjustment. See Section 5.2.10 and 5.2.11.

7.2 MOWER CUTS UNEVENLY.

- Check air pressure in tires; 13 psi/drive, 13 psi/ pneumatic casters. A more uniform cutting height may be obtained with higher tire pressure on rough terrain. A lower tire pressure provides more flotation. Higher pressures in front casters may cause them to shimmy on hard surfaces.
- Check deck support chains.
- Check deck leveling (See Adjustments Section 5.2.2.)

Note: The front of the mower deck will be approximately 1/4" lower than the back of the mower deck.
- Check blades tip to tip for straightness (they should be within 3/16" or one blade width from being in line.)

7.3 ENGINE WILL NOT START.

- Be sure the throttle control is midway between the "SLOW" and "FAST" positions, and the choke is in the "ON" position for a cold engine or the "OFF" position for a warm engine.
- Make sure there is fuel in the fuel tank and that the fuel valve is open.
- Operator must be in the seat. Be sure the seat switch is properly adjusted. See Section 5.2.5.
- Make sure the parking brake is set and motion control levers are moved out (neutral lock position).

- e) Check that the blades are disengaged.
- f) Check that the spark plug wires are properly connected.
- g) Check for loose or faulty wiring connections.
- h) Check for corrosion at all wiring connections. Even minor corrosion may cause a faulty connection. Clean connector terminals thoroughly with electrical contact cleaner, apply dielectric grease and reconnect.

NOTE: When disconnecting electrical connectors *DO NOT* pull on the wires to separate the connectors.

NOTE: After carefully checking the above steps, attempt to start the engine. If it does not start, contact your authorized Exmark service dealer.

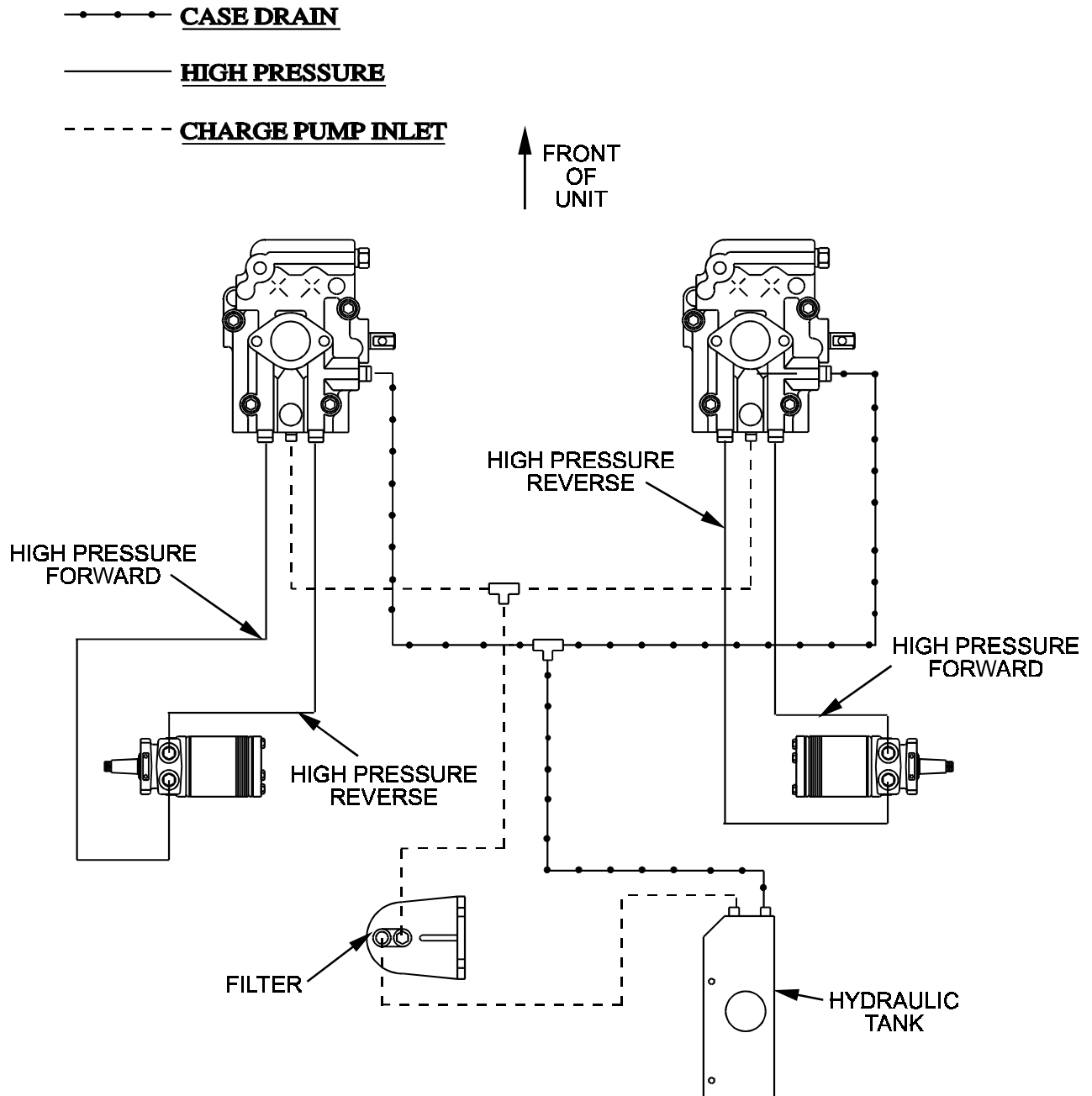
IMPORTANT: It is essential that all operator safety mechanisms be connected and in proper operating condition prior to mower use.

When a problem occurs, do not overlook the simple causes. For example, starting problems could be caused by an empty fuel tank. The following table lists some of the common causes of trouble. Do not attempt to service or replace major items or any items that call for special timing of adjustments procedures (such as valves, governor, etc.). Have this work done by your **Engine Service Dealer**.

ENGINE TROUBLESHOOTING TABLE

| PROBLEM | NO FUEL | IMPROPER FUEL | DIRT IN FUEL LINE | DIRTY AIR FILTER | FAULTY SPARK PLUG | ENGINE OVERLOADED | BLOCKED FUEL FILTER | INCORRECT OIL LEVEL | DIRTY AIR SCREEN |
|-----------------------|---------|---------------|-------------------|------------------|-------------------|-------------------|---------------------|---------------------|------------------|
| Will not start | X | | X | X | X | X | X | | |
| Hard starting | X | X | X | X | X | X | X | | |
| Stops suddenly | X | | X | X | | X | X | X | X |
| Lacks power | | X | X | X | X | X | X | X | X |
| Operates erratically | | X | X | X | X | X | X | | X |
| Knocks or pings | | X | | | | X | | | X |
| Skips or misfires | | X | X | X | X | | | | X |
| Backfires | | | X | X | X | X | | | X |
| Overheats | | | X | X | | X | | X | X |
| High fuel consumption | | | | X | X | X | | | X |

9. HYDRAULIC DIAGRAM



10. WARRANTY

Limited Warranty Exmark Commercial Turf Equipment Exmark Mfg. Co. Inc. ("Exmark") warrants on the terms and conditions herein, that it will repair, replace or adjust any part manufactured by Exmark and found by Exmark (in the exercise of its reasonable discretion) to be defective in factory material or workmanship.

This warranty is limited to one year from the date of original retail purchase (90 days for rental use) for any Exmark mower that is used for commercial or any other income producing purpose. The Blade Spindle assemblies will be warranted for three years, one year parts and labor with an additional two years parts only, from date of original retail purchase against defects in materials or workmanship. The hydrostatic traction drive system, excluding hoses, will be warranted for two full years from date of original retail purchase against defects in materials or workmanship. Exmark Mfg. will extend the Peerless 5-speed transmission manufacturer's warranty from 90 days to one year. Belts and tires are warranted for 90 days against defects in materials or workmanship.

The engine warranty is covered by its respective engine manufacturer. Please refer to the engine manufacturer's warranty statement that is included in the literature packet. Exmark is not authorized to handle warranty adjustments on engines. Engine warranties should be referred to the nearest authorized service outlet of the engine manufacturer.

This warranty extends only to the original retail purchaser of the equipment. The warranty may not be assigned or transferred without the prior express written consent of Exmark. The warranty commences upon the date of the original retail purchase.

The Exmark turf equipment, including any defective part, must be returned to an authorized Exmark service dealer within the warranty period. The warranty shall extend to cost to repair or replace (as determined by Exmark) the defective part, including labor. The expense of delivering the mower to the dealer for warranty work and the expense of returning it back to the owner after repair or replacement will be paid for by the owner. Exmark's responsibility in respect to claims is limited to making the required repairs or replacements, and no claim of breach of warranty shall be cause for cancellation or rescission of the contract of sale of any Exmark mower. Proof of purchase may be required by the dealer to substantiate any warranty claim. All warranty work must be performed by an authorized Exmark service dealer.

This warranty extends only to turf equipment operated under normal conditions and properly serviced and maintained. The warranty expressly does not cover: (i) any defects, damage or deterioration due to normal use, wear and tear, or exposure; (ii) normal maintenance services, such as oil change, cleaning, lubrication; adjustment; (iii) replacement of service items, such as oil, lubricants, spark plugs, belts, rubber hoses or other items subject to normal service replacement; (iv) damage or defects arising out of or relating to misuse, neglect, alteration, negligence or accident; (v) repair or replacement arising from operation of or use of the turf equipment which is not in accordance with operating instructions as specified in the operator's manual or other operational instructions provided by Exmark; (vi) repair or replacement arising as a result of any operation from turf equipment that has been altered or modified so as to, in the determination of Exmark, adversely affect the operation, performance or durability of the equipment or that has altered, modified or affected the turf equipment so as to change the intended use of the product; (vii) repair or replacement necessitated by use of parts, accessories or supplies, including gasoline, oil or lubricants, incompatible with the turf equipment or other than as recommended in the operator's manual or other operational instructions provided by Exmark; (viii) repairs or replacements resulting from parts or accessories which have adversely affected the operation, performance or durability of the turf equipment; or (ix) damage or defects due to or arising out of repair of turf equipment by person

or persons other than an authorized Exmark service dealer or the installation of parts other than genuine Exmark or Exmark recommended parts.

As a condition to this warranty, customer shall have read the operator's manual and shall have returned to Exmark, within the prescribed time, the enclosed warranty registration card.

The sole liability of Exmark with respect to this warranty shall be repair and replacement as set forth herein. Exmark shall have no liability for any other cost, loss or damage, including but not limited to, any incidental or consequential loss or damage. In particular, Exmark shall have no liability or responsibility for: (i) expenses relating to gasoline, oil or lubricants; (ii) loss, cost or expense relating to transportation or delivery of turf equipment from the location of owner or location where used by owner to or from any authorized Exmark service dealer; (iii) travel time, overtime, after hours time or other extraordinary repair charges or charge relating to repairs or replacements outside of normal business hours at the place of business of the authorized Exmark service dealer; (iv) rental of like or similar replacement equipment during the period of any warranty, repair or replacement work; (v) any telephone or telegram charges or travel charges; (vi) loss or damage to person or property other than that covered by the terms of this warranty; (vii) any claims for lost revenue, lost profit or additional cost as a result of a claim of breach of warranty; or (viii) attorney's fees.

There are no representations or warranties which have been authorized and provided to the buyer of the turf equipment, other than as set forth in this warranty. Any and all statements or representations made by any seller of this equipment, including those set forth in any sales literature or made orally by any sales representative, are superseded by the terms of this warranty. Any affirmation of fact or promise made by Exmark or any of its representatives to the buyer which relates to the goods that are the subject of this warranty shall not be regarded as part of the basis of the bargain and shall not be deemed to create any express warranty that such goods shall conform to the affirmation or promise.

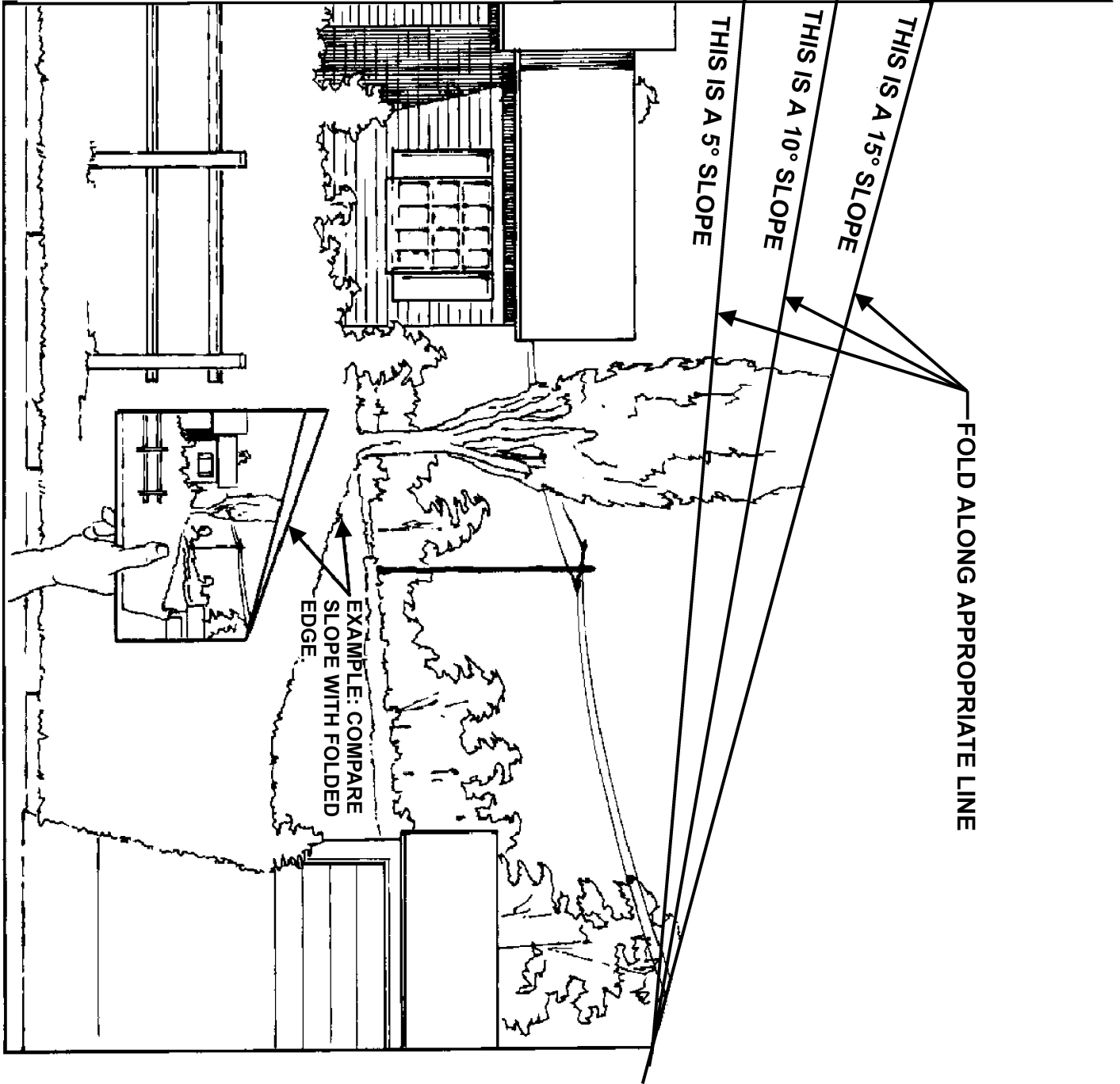
THERE ARE NO UNDERSTANDINGS, AGREEMENTS, REPRESENTATIONS, OR WARRANTIES, EXPRESS OR IMPLIED (INCLUDING BUT NOT LIMITED TO ANY REGARDING THE MERCHANTABILITY OR FITNESS FOR A PARTICULAR PURPOSE), NOT SPECIFIED HEREIN, RESPECTING THE EQUIPMENT WHICH IS THE SUBJECT OF THIS WARRANTY.

This warranty applies to all Exmark turf equipment sold in the United States and Canada and intended to be used for commercial purposes.

NOTES

NOTES

ALIGN THIS EDGE WITH A VERTICAL SURFACE
(TREE, BUILDING, FENCE POST, POLE ETC.)



THIS IS A 5° SLOPE

THIS IS A 10° SLOPE

THIS IS A 15° SLOPE

FOLD ALONG APPROPRIATE LINE

EXAMPLE: COMPARE
SLOPE WITH FOLDED
EDGE.

**SEE EXMARK'S COMPLETE
LINE OF PRODUCTS FOR TURF CARE**

LAZER Z™

LAZER Z™ HP

TURF RANGER®

TURF TRACER®

TURF TRACER® HP

VIKING HYDRO

METRO™

METRO™ HP

SELF STEERING SULKY

GRASS CATCHER

MICRO-MULCH™ ACCESSORY

©1997,1998, 1999
EXMARK MFG. CO. INC.
INDUSTRIAL PARK BOX 808
BEATRICE, NE 68310
ALL RIGHTS RESERVED

PART NO. 850667
(402) 223-6300
FAX (402) 223-5489
PRINTED IN U.S.A.



Free Manuals Download Website

<http://myh66.com>

<http://usermanuals.us>

<http://www.somanuals.com>

<http://www.4manuals.cc>

<http://www.manual-lib.com>

<http://www.404manual.com>

<http://www.luxmanual.com>

<http://aubethermostatmanual.com>

Golf course search by state

<http://golfingnear.com>

Email search by domain

<http://emailbydomain.com>

Auto manuals search

<http://auto.somanuals.com>

TV manuals search

<http://tv.somanuals.com>