

---

# Px Series Application Switch Installation and Configuration Guide

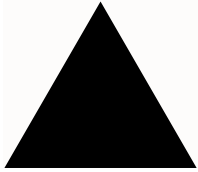
Extreme Networks, Inc.  
3585 Monroe Street  
Santa Clara, California 95051  
(888) 257-3000  
<http://www.extremenetworks.com>

Published: April 2002  
Part number: 100101-00 Rev. 02

©2002 Extreme Networks, Inc. All rights reserved. Extreme Networks and BlackDiamond are registered trademarks of Extreme Networks, Inc. in the United States and certain other jurisdictions. ExtremeWare, ExtremeWare Vista, ExtremeWorks, ExtremeAssist, ExtremeAssist1, ExtremeAssist2, PartnerAssist, Extreme Standby Router Protocol, ESRP, SmartTraps, Alpine, Summit, Summit1, Summit4, Summit4/FX, Summit7i, Summit24, Summit48, Summit Virtual Chassis, SummitLink, SummitGbX, SummitPx1, SummitRPS and the Extreme Networks logo are trademarks of Extreme Networks, Inc., which may be registered or pending registration in certain jurisdictions. The Extreme Turbodriven logo is a service mark of Extreme Networks, which may be registered or pending registration in certain jurisdictions. Specifications are subject to change without notice.

NetWare and Novell are registered trademarks of Novell, Inc. Merit is a registered trademark of Merit Network, Inc. Solaris is a trademark of Sun Microsystems, Inc. F5, BIG/ip, and 3DNS are registered trademarks of F5 Networks, Inc. see/IT is a trademark of F5 Networks, Inc.

All other registered trademarks, trademarks and service marks are property of their respective owners.



# Contents

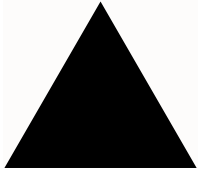
---

<b>Preface</b>	
<b>Introduction</b>	<b>1-vii</b>
<b>Conventions</b>	<b>1-viii</b>
<b>Related Publications</b>	<b>1-ix</b>
<b>1 Server Load Balancing Concepts</b>	
<b>Purpose of Server Load Balancing</b>	<b>1-1</b>
Terms	1-2
<b>Load Balancing Modes</b>	<b>1-3</b>
Layer 4 Load Balancing	1-3
Layer 7 Load Balancing and Content Analysis	1-4
<b>Port Rewrite</b>	<b>1-6</b>
<b>Getting Started on Load Balancing Configuration</b>	<b>1-6</b>
<b>2 Installing the SummitPx1 Application Switch</b>	
<b>Overview of the SummitPx1 Application Switch</b>	<b>2-1</b>
SummitPx1 Front View	2-1
SummitPx1 Application Switch Rear View	2-3
<b>Determining the Location</b>	<b>2-4</b>
<b>Installing the SummitPx1 Application Switch</b>	<b>2-4</b>
Rack Mounting	2-4

Free-Standing	2-5
<b>Powering On the SummitPx1</b>	<b>2-5</b>
<b>Setting Up Console Communication</b>	<b>2-6</b>
Configuring Switch IP Parameters	2-7
Configuring the 10/100 Ethernet Management Port	2-8
<b>3 Installing the PxM Application Switch Module</b>	
<b>Installing I/O Modules</b>	<b>3-1</b>
<b>Removing I/O Modules</b>	<b>3-2</b>
<b>4 Managing the Switch</b>	
<b>Using the Command-Line Interface</b>	<b>4-2</b>
Abbreviated Syntax and Command Completion	4-2
Syntax Symbols	4-2
Line-Editing Keys	4-3
Specifying Text Values	4-3
Command History	4-4
Prompt Text	4-4
<b>Configuring Management Access</b>	<b>4-4</b>
Changing the Default Passwords	4-5
Creating Accounts	4-6
<b>Managing the PxM</b>	<b>4-7</b>
<b>Configuring VLANs</b>	<b>4-8</b>
<b>Configuring SNMP</b>	<b>4-9</b>
<b>Configuring DNS Client Services</b>	<b>4-10</b>
<b>Using Secure Shell 2 (SSH2)</b>	<b>4-11</b>
Enabling SSH2 for Inbound Switch Access	4-12
Using SCP2 from an External SSH2 Client	4-13
SSH2 Client Functions on the Switch	4-14
<b>Utilities</b>	<b>4-15</b>
Showing CPU Load	4-15
Checking Basic Connectivity	4-15
Logging	4-16

Configuring a Startup Banner Message	4-17
Starting the GlobalPx Content Director Agent	4-17
<b>Example Configuration</b>	<b>4-18</b>
<b>5 Configuring Servers and Services</b>	
<b>Configuring Real Servers</b>	<b>5-1</b>
<b>Configuring Server Groups</b>	<b>5-2</b>
<b>Configuring Virtual Services</b>	<b>5-3</b>
Layer 4 Port-based Load Balancing	5-4
Layer 7 Virtual Services	5-4
Configuring Traffic Tagging	5-5
<b>Configuration Example</b>	<b>5-6</b>
<b>6 Choosing Policies, Persistence Modes, and NAT</b>	
<b>Scheduling Policies</b>	<b>6-1</b>
<b>Persistence Modes</b>	<b>6-2</b>
UDP Flow Persistence	6-3
Client IP Persistence Mode	6-3
Cookie Persistence Modes	6-5
SSL Session Identifier Persistence	6-13
<b>NAT Modes</b>	<b>6-14</b>
Full-NAT Mode	6-14
Server-only Half-NAT Mode	6-15
<b>Configuration Example</b>	<b>6-17</b>
<b>7 URL Switching</b>	
<b>Domain and URL Switching</b>	<b>7-1</b>
Domain Switching	7-2
URL Switching	7-4
<b>Configuring URL Switching</b>	<b>7-4</b>
<b>Creating Domain and URL Switching Rules</b>	<b>7-8</b>
Modifying Existing URL Rules and Domains	7-9

<b>Configuration Example</b>	<b>7-9</b>
<b>8 Configuring Redundancy</b>	
<b>Using VRRP with the SummitPx1</b>	<b>8-1</b>
Adding and Configuring VRRPs	8-2
Using VRRP in Existing Redundant Networks	8-3
VRRP Automatic Synchronization	8-4
<b>Configuring Redundancy for the PxM</b>	<b>8-6</b>
Using ESRP with the PxM	8-6
Configuring the PxM for Multiple VLANs	8-7
<b>Configuring a Default Gateway</b>	<b>8-8</b>
<b>9 Health Checks</b>	
<b>Overview</b>	<b>9-1</b>
Server Startup Pacing	9-2
<b>Health Checking Procedure</b>	<b>9-3</b>
<b>Configuring Health Checks</b>	<b>9-4</b>
Types of Health Checks	9-4
Timers and Counters	9-4
<b>10 Monitoring the Switch</b>	
<b>Showing Traffic Statistics</b>	<b>10-1</b>
<b>Showing Configuration Details</b>	<b>10-3</b>
Configuration Displays	10-4
Status Displays	10-5
<b>Managing and Troubleshooting Operation</b>	<b>10-7</b>
<b>Index</b>	
<b>Index of Commands</b>	



# Preface

---

This preface provides an overview of this guide, describes guide conventions, and lists other publications that may be useful.

## Introduction

This guide provides the required information to configure the Extreme Networks Px series application switches, SummitPx1™ and PxM™.

This guide is intended for use by network administrators who are responsible for installing and setting up network equipment. It assumes a basic working knowledge of:

- Local area networks (LANs)
- Ethernet concepts
- Ethernet switching and bridging concepts
- Routing concepts
- Internet Protocol (IP) concepts, including connection initiation process
- Network Address Translation (NAT)






*If the information in the release notes shipped with your switch differs from the information in this guide, follow the release notes.*

# Conventions

Table 1 and Table 2 list conventions that are used throughout this guide.

**Table 1:** Notice Icons

Icon	Notice Type	Alerts you to...
	Note	Important features or instructions.
	Caution	Risk of personal injury, system damage, or loss of data.
	Warning	Risk of severe personal injury.

**Table 2:** Text Conventions

Convention	Description
Screen displays	This typeface indicates command syntax, or represents information as it appears on the screen.
The words “enter” and “type”	When you see the word “enter” in this guide, you must type something, and then press the Return or Enter key. Do not press the Return or Enter key when an instruction simply says “type.”
[Key] names	Key names are written with brackets, such as [Return] or [Esc].  If you must press two or more keys simultaneously, the key names are linked with a plus sign (+). Example:  Press [Ctrl]+[Alt]+[Del].
Words in <i>italicized type</i>	Italics emphasize a point or denote new terms at the place where they are defined in the text.



## Related Publications

The publications related to this one are:

- *ExtremeWare Software User Guide*
- *Px Series Application Switch Release Notes*

Documentation for Extreme products is available on the World Wide Web at the following location:

- <http://www.extremenetworks.com>





# 1

# Server Load Balancing Concepts

---

The Px series application switch marks the next step in server load balancing. Using a revolutionary hardware design, the Px series application switch is designed to help website administrators achieve levels of availability and scalability never before possible.

This chapter contains the following sections:

- Purpose of Server Load Balancing on page 1-1
- Load Balancing Modes on page 1-3
- Port Rewrite on page 1-6
- Getting Started on Load Balancing Configuration on page 1-6

## Purpose of Server Load Balancing

An application switch increases website availability by allowing for web servers to fail (or be shut down for maintenance) without a website outage. It also improves the response times of the website and increases the traffic-handling capacity of the website by allowing multiple servers to be used together as a single site.

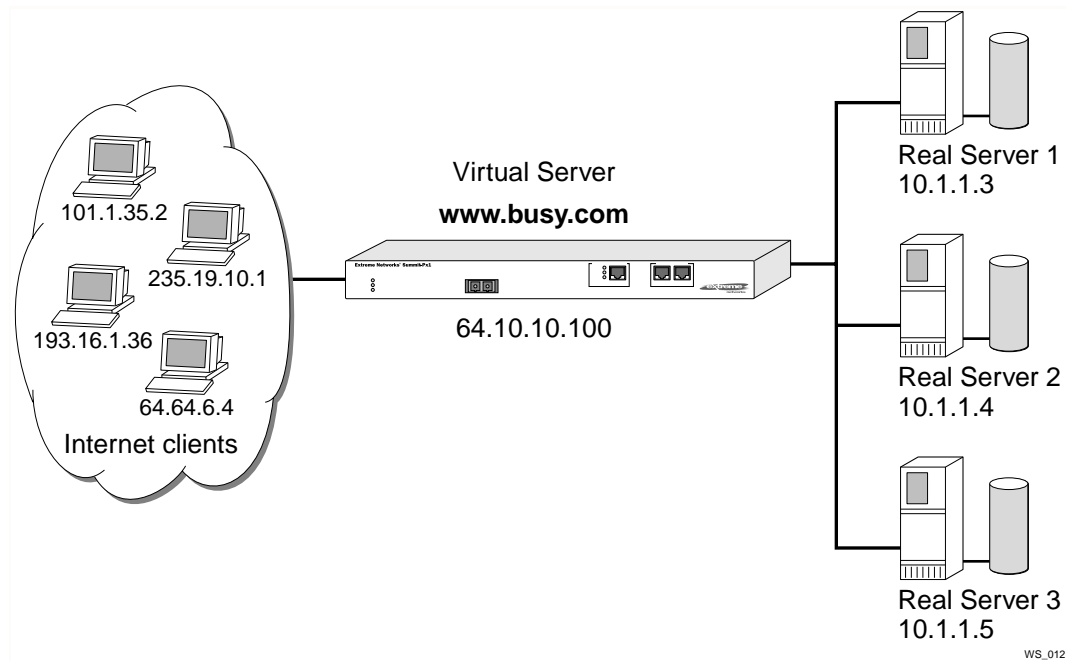
The Px series application switch can examine actual user requests, rather than simply forwarding the requests to the servers. You can use the powerful array of tools provided by the Px series application switch to scale websites by:

- Creating special purpose servers
- Making better use of web caches
- Allowing movement of web content without extensive re-linking of the site

## Terms

The Px series application switch creates a level of abstraction between the real servers and the Internet, by configuring a virtual IP (VIP) address and port on the application switch. The VIP has a globally-reachable public IP address, and corresponds to the DNS entry for the website. All traffic for the website is sent to the application switch, which applies policies to decide how to forward the traffic to a real server.

Figure 1-1 shows several Internet users all connecting to the website `www.busy.com`.



**Figure 1-1:** Conceptual view of server load balancing

In this document, the Internet users are referred to as *clients*, because they are clients of the application switch. The website, which is actually an address inside the application switch, is also called a *virtual IP address*, or VIP. Because the Px series application switch uses the unique combination of IP address and source port, the VIP is referred to as a *virtual service*.

## Load Balancing Modes

The Px series application switch can perform packet redirection for load balancing in two different ways:

- Layer 4 load balancing
- Layer 7 load balancing

### Layer 4 Load Balancing

In layer 4 mode, the application switch decides which server should receive a given user request using *server selection policies*. It selects a server without looking at the content of the request. The following server selection policies are supported by the Px series application switch:

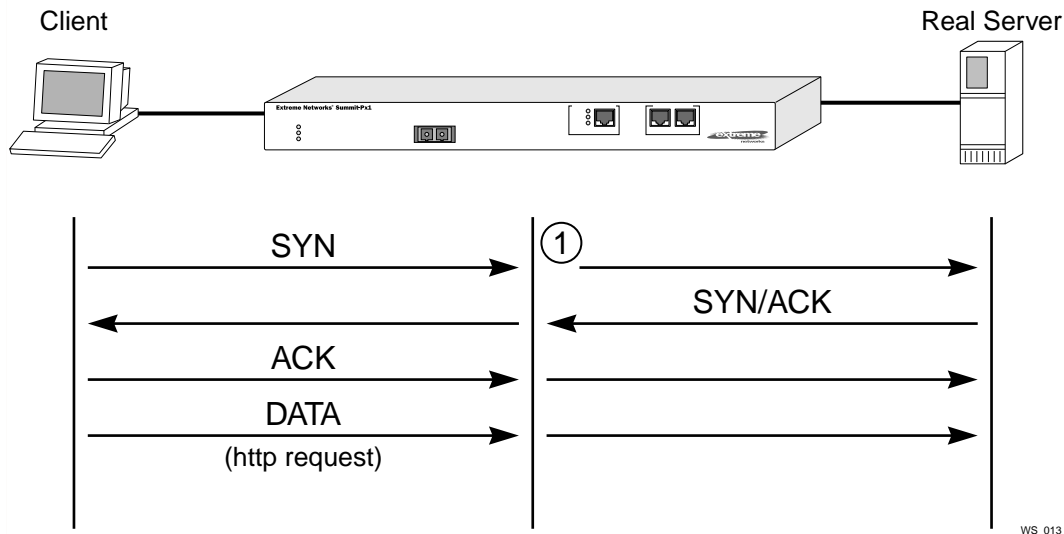
- Round robin
- Weighted round robin
- Least connections
- Weighted least connections



*For more information on policies, see Chapter 6.*

The application switch can balance almost any traffic using network address translation (NAT) at layer 4. The application switch rewrites the destination IP address of the request to point to the real server selected to handle the request, and sets the source IP address of the request to point to one of the internal IP addresses of the Px series application switch. When the server responds to the request, the application switch rewrites the response so that it appears to originate from its VIP address, and forwards the response to the client.

Figure 1-2 illustrates a single client-server transaction using layer 4.



**Figure 1-2:** Single client-server transaction using layer 4

As soon as the first request from the client is received at the application switch, the application switch uses the server-selection policy configured for the VIP to select the server and immediately sends out the NAT-ed request to the real server. The client and server continue the connection establishment protocol using the application switch in the middle, NAT-ing the traffic. After the connection is established, an HTTP request is sent and the server responds.

## Layer 7 Load Balancing and Content Analysis

To make server-selection decisions based on cookies or the URL being requested by the client, the application switch must actually look inside the client request. Because this data request is only sent out after a connection is established, the Px series application switch must first act as a proxy for the server by acting as the endpoint of the TCP/IP connection from the client. This process is called *layer 7 load balancing*.

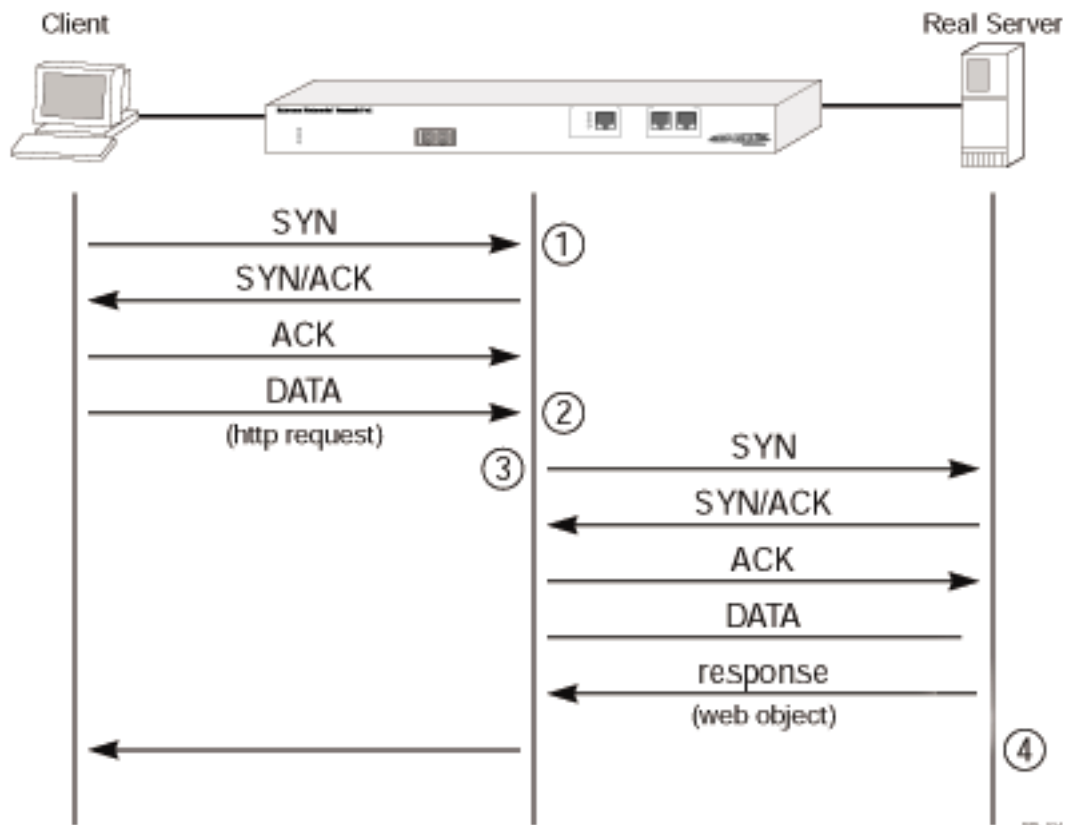
The Px series application switch delays the establishment of a connection to a server until the first 1500 bytes of actual data (the HTTP request) is received from the client. The application switch then takes the content being requested, along with the domain to which the request pertains, and applies policy rules. Based on the outcome of the policy decision, the application switch establishes a TCP connection with the real server

chosen to process the request, using a source IP address that is part of a proxy pool inside the application switch.

After a connection is established between the application switch and the real server, the application switch forwards the buffered data to the server. The server sends any response to the application switch. The application switch translates the IP source address and port numbers appropriately, along with the TCP sequence and acknowledgment numbers, and then forwards the data to the real client on the Internet.

Return traffic from the real server does not require content analysis, and is simply rewritten by the NAT engine.

Figure 3 illustrates the sequence used to establish a layer 7 request.



**Figure 1-3:** Establishing a layer 7 request

# Port Rewrite

When a request is sent by a client to a VIP service, the request contains the well-known port number for the requested application. For example, the well-known port number for HTTP is port 80.

You can configure the application switch to rewrite the port, configuring a server group to use a specific port, other than the well-known port number for the application. Port rewrite is useful in instances where multiple domains are configured on the same server (or all servers in the same server group) and each domain has its own server process. By giving each domain its own port number, each server process can be configured to listen for requests at its own port.

## Getting Started on Load Balancing Configuration

To successfully configure the Px series application switch to perform load balancing operations, you must consider the following:

- Do you want to use full NAT or server-only NAT mode? For more information on NAT, see Chapter 6.
- Do you want to use IP address history? For more information on IP address history, see Chapter 6.
- What server selection policies do you want to use? For more information on selection policies, see Chapter 6.
- If URL switching is going to be implemented, what DNS domains and patterns will be used? For more information on URL switching, see Chapter 7.
- If cookies will be used, what cookie mode will be selected, and are the cookies configured properly on the web servers? For more information on cookies, see Chapter 6.

After these decisions have been made, follow these steps to configure load balancing:

- 1 Configure the system IP and related information. For more information, see Chapter 4.
- 2 Configure the appropriate global parameters such as NAT mode, proxy-IPs, and stickiness options. For more information, see Chapter 6.
- 3 Configure the servers and virtual services:



- a** Configure the real servers that will be load balanced.
- b** Create groups of servers, and put the real servers into them.
- c** Create a virtual service.
  - If the virtual service is layer 4, assign a server group to it.
  - If the virtual service is layer 7, create the appropriate domains and pattern-rules, and assign server groups to the pattern-rules.

For more information, see Chapter 5.



# 2

## Installing the SummitPx1 Application Switch

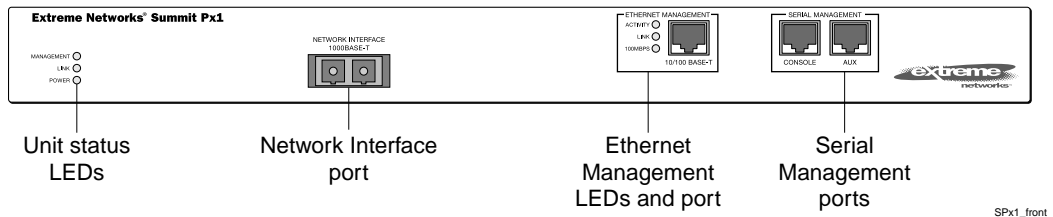
This chapter describes how to install the SummitPx1 configuration of the Px series application switch. It contains the following sections:

- Overview of the SummitPx1 Application Switch on page 2-1
- Determining the Location on page 2-4
- Installing the SummitPx1 Application Switch on page 2-4
- Setting Up Console Communication on page 2-6
- Powering On the SummitPx1 on page 2-5

### Overview of the SummitPx1 Application Switch

#### SummitPx1 Front View

Figure 2-1 shows the Px series application switch front view.



**Figure 2-1:** SummitPx1 application switch front view

Table 2-1 describes the LED behavior on the SummitPx1.

**Table 2-1:** Px series application switch LEDs

LED	Color	Indicates
Link	Green	The 1000Base-T link is operational.
	Yellow flashing	There is activity on this link.
Management	Green flashing	
	■ Slow	The Px series application switch is operating normally.
	■ Fast	Power On Self Test (POST) in progress.
Power	Red	The Px series application switch has failed its POST.
	Green	The Px series application switch is powered up.
	Red	The Px series application switch is indicating a power or temperature problem.

The front panel of the SummitPx1 has four ports:

- Gigabit Interface Connector (GBIC)

The Network Interface port is a Gigabit Interface Connector (GBIC) used to connect the application switch to your local network.

- 100BASE-Tx Ethernet Management (RJ-45)

The Ethernet Management port (RJ-45 connector) is a 10/100 Mbps Ethernet connection used for out-of-band management.

- Console (serial RJ-45)

The console port (serial RJ-45 connector) is used to connect a terminal for local out-of-band management. The console operates at 9600 baud, 8 data bits, no parity, one stop bit (8-N-1) with no hardware flow control.

Use the included DB-9 adapter to connect the console to a PC serial port, using a straight (1-8, 1-8) cable, such as a standard category 3 or category 5 Ethernet cable. The pinouts for the DB-9 adapter are shown in Table 2-2 on page 2-3.

If you are wiring the console port to a console server, you must use a null modem cable (1-8, 8-1).

- AUX (serial RJ-45)

The AUX port (RJ-45 connector) has the same pin-outs as the console port. The AUX port is used for remote out-of-band management.

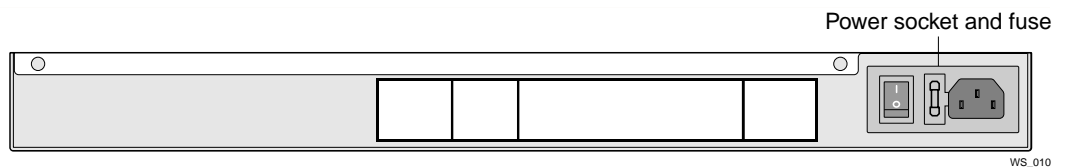
**Table 2-2:** DB-9 Adapter Pinouts

TO: DB-9	FROM: RJ45 SHELL	Signal Description
Pin 6	Pin 1	DSR
Pin 8	Pin 2	CTS
Pin 2	Pin 3	RD
Pin 5	Pin 4	SG
NC	Pin 5	--
Pin 3	Pin 6	TD
Pin 7	Pin 7	RTS
Pin 4	Pin 8	DTR

For more information on connecting and configuring these ports, see “Setting Up Console Communication” on page 2-6.

## SummitPx1 Application Switch Rear View

Figure 2-2 shows the SummitPx1 application switch rear view.



WS\_010

**Figure 2-2:** SummitPx1 application switch rear view

- Power Socket

The SummitPx1 automatically adjusts to the supply voltage. The power supply operates down to 90 VAC. The fuse is suitable for both 110 VAC and 220-240 VAC operation.

- Serial Number

Use the serial number for fault-reporting purposes.

- MAC Address

A label shows the unique Ethernet MAC addresses assigned to this device.

# Determining the Location

The SummitPx1 is suited for use in the office, where it can be free-standing or mounted in a standard 19-inch equipment rack. Alternatively, the device can be rack-mounted in a wiring closet or equipment room. Two mounting brackets are supplied with the device.

When deciding where to install the SummitPx1, ensure that:

- The unit is accessible and cables can be connected easily.
- Water or moisture cannot enter the case of the unit.
- Air-flow around the unit and through the vents in the side of the case is not restricted. You should provide a minimum of 25mm (1-inch) clearance.
- No objects are placed on top of the unit.
- Units are not stacked more than four high if the switch is free-standing.

# Installing the SummitPx1 Application Switch

The application switch can be mounted in a rack or placed free-standing on a tabletop.

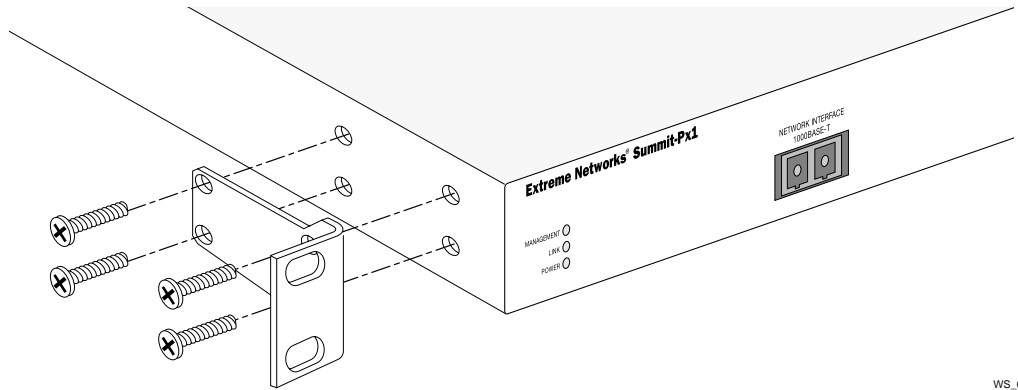
## Rack Mounting



*Caution: The rack mount kits must not be used to suspend the switch from under a table or desk, or to attach to a wall.*

To rack mount the application switch, follow these steps:

- 1 Place the device the right way up on a hard, flat surface, with the front facing you.
- 2 Remove the existing screws from the sides of the chassis and retain for step 4.
- 3 Locate a mounting bracket over the mounting holes on one side of the unit.
- 4 Insert the screws and fully tighten with a suitable screwdriver, as shown in Figure 2-3.



WS\_011

**Figure 2-3:** Fitting the mounting bracket

- 5 Repeat steps 2-4 for the other side of the device.
- 6 Insert the application switch into the 19-inch rack. Ensure that ventilation holes are not obstructed.
- 7 Secure the device with suitable screws (not provided).
- 8 Connect cables.

## Free-Standing

The SummitPx1 application switch is supplied with four self-adhesive rubber pads. Apply the pads to the underside of the device by sticking a pad at each corner of the device.

Up to four SummitPx1 application switches can be placed on top of one another.

## Powering On the SummitPx1

To turn on power to the SummitPx1 application switch, connect the AC power cable to the switch and then to the wall outlet.

After turning on power to the SummitPx1, the device performs a Power On Self-Test (POST). During the POST, all ports are temporarily disabled, the packet LED is off, the power LED is on, and the MGMT LED flashes. The MGMT LED flashes until the application switch has successfully passed the POST.

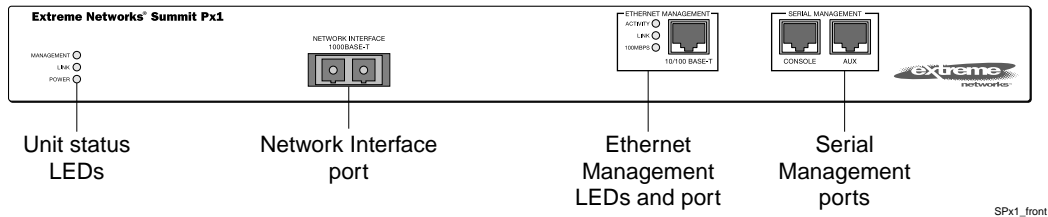
If the application switch passes the POST, the MGMT LED blinks at a slow rate (1 blink per second). If the application switch fails the POST, the MGMT LED shows a solid yellow light.

## Setting Up Console Communication

To manage the application switch locally, you must connect to the management console to configure the switch's Ethernet management port using a serial connection. This section describes how to configure the SummitPx1 for communication with the console interface.

There are four ports on the application switch:

- GBIC 1000bT network interface port
- 10/100BT Ethernet management port
- Serial console and modem management ports



Any workstation with a Telnet facility can communicate with the application switch over a TCP/IP network. Telnet is enabled by default. Use Telnet to connect to either the 10/100 Mbps Ethernet management port, or to the Gigabit Ethernet network interface port, after configuring their IP addresses via the serial port.

The 10/100BT Ethernet management port allows the CPU to upload and download images on a network that is separate from the data network. This allows the data network to be outside a firewall while the management port is inside the firewall.

You use the serial management ports for your initial communication with the device, in order to configure the management and network interface ports. The serial ports use a RJ45 connector. The SummitPx1 is supplied with an RJ45-to-DB9 converter and ethernet



cable with which to connect most PCs to this port. The console port settings are as follows:

Baud rate	9600
Data bits	8
Stop bit	1
Parity	None
Flow control	None

Each interface has a unique IP address. Before you can start a Telnet session, you must set up the IP parameters of the port you will use for management, as described in the following sections. To open the Telnet session, you specify the IP address of the port. For information on how to do this, refer to the documentation for your Telnet facility.

After the connection is established, you will see the command-line interface prompt and can begin configuring the device.

## Configuring Switch IP Parameters

To manage the application switch by way of a Telnet connection to the Gigabit Ethernet port, you must first configure the switch IP parameters. To manually configure the IP settings, follow these steps:

- 1 Connect a terminal or workstation running terminal-emulation software to the serial management (console) port. See “Setting Up Console Communication” on page 2-6.
- 2 Configure the system IP address and default gateway. The following example sets the address for the Gigabit Ethernet interface:

```
SummitPx1:4 # config system-ip 64.1.1.10 / 24 vlan 123
SummitPx1:5 # config default-gateway 64.1.1.1
```

The `vlan` argument is optional for the SummitPx1, but required for the PxM. See “Managing the PxM” on page 4-7, and “Configuring VLANs” on page 4-8.

- 3 Enable the Gigabit port, commit changes, and save your configuration changes to flash memory, so that they are in effect after the next reboot.

```
SummitPx1:8 # enable port gigabit
SummitPx1:11 # build
SummitPx1:17 # save
Do you want to save to the primary configuration database (Y/N) ? y
Erasing Flash *
```

```
Writing data to Flash
Done
```

- 4 When you are finished using the facility, log out of the application switch.

You can now access the Gigabit Ethernet port directly via Telnet.

## Configuring the 10/100 Ethernet Management Port

The 10/100BT Ethernet management port provides dedicated remote access to the application switch using TCP/IP. It supports Telnet using the command-line interface. The 10/100BT port is designed to be used as an *out-of-band management port only*. It does not function as a load balancing port.

To use the management interface, you must assign it an IP address and subnetwork mask, using the following command:

```
config mgmt ip <ipaddress> / <netmask bit length>
```

The 10/100BT port has a separate routing table. By default, no routes are installed in the routing table. You must explicitly configure routes. After the IP address has been configured, install a route for the network, using the following command:

```
config mgmt iproute dest-ip <ipaddress> gateway <ipaddress>
```

You can add additional routes, as needed.



*The configuration of management port information is executed immediately. You do not need to use the `build` command.*

The following example configures an IP address and installs two network routes:

```
station1:4 # config mgmt ipaddress 10.10.10.2 / 24
station1:5 # config mgmt iproute dest-ip 10.10.10.0 gateway 10.10.10.1
station1:6 # config mgmt iproute dest-ip 10.10.11.0 gateway 10.10.10.1
```

# 3

## Installing the PxM Application Switch Module

---

The PxM configuration of the Px series application switch is a BlackDiamond module. The configuration information and specifications for the BlackDiamond I/O modules are described in detail in the *Extreme Networks Consolidated Hardware Guide*, as well as the module installation and removal procedures. For convenience, the information on installing and removing modules is repeated here.

To manage the application switch locally, you must connect a management console to the switch's Ethernet management port using a serial connection. Do this in the same way as for the SummitPx1; see "Setting Up Console Communication" on page 2-6.

This chapter contains the following sections:

- Installing I/O Modules on page 3-1
- Removing I/O Modules on page 3-2

### Installing I/O Modules

You can insert I/O modules at any time, without causing disruption of network services.

To install an I/O module:

1 Select a slot for the module:

- Slots numbered 1 through 16 in the BlackDiamond 6816
- Slots numbered 1 through 8 in the BlackDiamond 6808



*Caution: You can install I/O modules only in slots 1 through 16 in the BlackDiamond 6816 or slots 1 through 8 in the BlackDiamond 6808. I/O modules do not fit in slots A, B, C, or D. Forceful insertion can damage the I/O module.*

- 2 Attach the ESD strap that is provided to your wrist and connect the metal end to the ground receptacle that is located on the top-left corner of the switch front panel.
- 3 For the BlackDiamond 6816, ensure that the module is horizontal with the module name to the left and that the ejector/injector handles are extended.  
For the BlackDiamond 6808, ensure that the module is vertical with the module name at the top and that the ejector/injector handles are extended.
- 4 Slide the module into the appropriate slot of the chassis (slots 1 through 16 in the BlackDiamond 6816 or slots 1 through 8 in the BlackDiamond 6808), until it makes contact with the backplane.  
As the module begins to seat in the chassis, the ejector/injector handles begin to close.
- 5 To close the ejector/injector handles, use both hands simultaneously to push the handles toward the center of the module.
- 6 To secure the module, tighten the two screws using a #1 Phillips screwdriver.



*Note: Tighten the screws before inserting additional modules. Otherwise, you might unseat modules that you have not secured.*

- 7 Repeat this procedure for additional modules, if applicable.
- 8 Leave the ESD strap permanently connected to the chassis, so that it is always available when you need to handle ESD-sensitive components.

## Removing I/O Modules

All BlackDiamond 6800 series modules (MSM64i and I/O modules) are hot-swappable. You do not need to power off the system to remove a module.

To remove an I/O module:

- 1 Attach the ESD strap that is provided to your wrist and connect the metal end to the ground receptacle that is located on the top-left corner of the switch front panel.
- 2 Use a #1 Phillips screwdriver to unscrew the two captive screws.

- 3** Simultaneously rotate the ejector/injector handles outward to disengage the module from the backplane.
- 4** Slide the module out of the chassis.
- 5** If you are not going to install a replacement I/O module, cover the slot with a blank faceplate. Otherwise, follow the I/O module installation procedure above.
- 6** Repeat this procedure for additional modules, if applicable.
- 7** Leave the ESD strap permanently connected to the chassis, so that it is always available when you need to handle ESD-sensitive components.



# 4

## Managing the Switch

---

This chapter covers the following topics:

- Using the Command-Line Interface page 4-2
- Configuring Management Access on page 4-4
- Managing the PxM on page 4-7
- Configuring VLANs on page 4-8
- Configuring SNMP on page 4-9
- Configuring DNS Client Services on page 4-10
- Utilities on page 4-15
- Example Configuration on page 4-18

# Using the Command-Line Interface

To use the command-line interface:

- 1 Enter the command name. You can use abbreviated syntax; see below.
- 2 If the command includes a parameter, enter the parameter name and value.  
The value specifies how you want the parameter to be set. Values can be numbers, strings, or addresses, depending on the parameter.
- 3 After entering the complete command, press [Return].

Most commands are not executed immediately, but are deferred until you issue the `build` command. Exceptions are noted when the commands are described in this manual.

## Abbreviated Syntax and Command Completion

Abbreviated syntax is the shortest unambiguous abbreviation of a command or parameter. Typically, this is the first three letters of the command.

The Px series application switch provides command completion by way of the [Tab] key. If you enter a command using the abbreviated syntax, pressing the [Tab] key displays a list of available options, and places the cursor at the end of the command.

The command-line interface also has a syntax helper that provides assistance if you have entered an incorrect command.

## Syntax Symbols

In describing command syntax, this manual uses symbols as described in Table 4-1. The symbols explain how to enter the command, and you do not type them as part of the command itself.

**Table 4-1:** Command Syntax Symbols

Symbol	Description
angle brackets < >	Enclose a variable or value. You must specify the variable or value. Do not type the angle brackets.
square brackets [ ]	Enclose a required value or list of required arguments. One or more values or arguments can be specified. Do not type the square brackets.



**Table 4-1:** Command Syntax Symbols (continued)

Symbol	Description
vertical bar	Separates mutually exclusive items in a list, one of which must be entered. Do not type the vertical bar.
braces { }	Enclose an optional value or a list of optional arguments. One or more values or arguments can be specified. Do not type the braces.

## Line-Editing Keys

Table 4-2 describes the line-editing keys available when using the command-line interface.

**Table 4-2:** Line-Editing Keys

Key(s)	Description
Backspace	Deletes character to left of cursor and shifts remainder of line to left.
Delete or [Ctrl] + D	Deletes character under cursor and shifts remainder of line to left.
[Ctrl] + K	Deletes characters from under cursor to end of line.
Insert	Toggles on and off. When toggled on, inserts text and shifts previous text to right.
Left Arrow	Moves cursor to left.
Right Arrow	Moves cursor to right.
Home or [Ctrl] + A	Moves cursor to first character in line.
End or [Ctrl] + E	Moves cursor to last character in line.
[Ctrl] + L	Clears screen and moves cursor to beginning of line.
[Ctrl] + P or Up Arrow	Displays previous command in command history buffer and places cursor at end of command.
[Ctrl] + N or Down Arrow	Displays next command in command history buffer and places cursor at end of command.
[Ctrl] + U	Clears all characters typed from cursor to beginning of line.
[Ctrl] + W	Deletes previous word.

## Specifying Text Values

When specifying a text values, such as health check objects, return strings, and URL patterns, it is recommended that you always use double quotes to delimit the text

value. You *must* use quotes if the text value includes any non-alphanumeric characters, such as spaces, dashes, or dots.

## Command History

The Px series application switch keeps a history of the last 49 commands you entered. To display a list of the most recent commands, enter:

```
history
```

## Prompt Text

The prompt text is taken from the SNMP `sysname` setting. For more information, see “Configuring SNMP” on page 4-9.

The number that follows the colon indicates the sequential line/command number. If an asterisk (\*) appears in front of the command-line prompt, it indicates that you have outstanding configuration changes that have not been saved. For example:

```
* SummitPx1:19#
```

The prompt ends with > if you are logged in with user-level privileges, and with # if you are logged in with administrative privileges. For more information, see “Configuring Management Access” on page 4-4.

## Configuring Management Access

The software supports two levels of management:

- User

A user-level account has viewing access to all manageable parameters except the user account database and the SNMP community strings.

A user-level account can use the `ping` command to test device reachability, and change the password assigned to the account name. If you have logged on with user capabilities, the command-line prompt ends with a (>) sign. For example:

```
SummitPx1:2>
```

- **Administrator**

An administrator-level account can view and change all switch parameters. It can also add and delete users, and change the password associated with any account name. The administrator can disconnect a management session that has been established by way of a Telnet connection. If this happens, the user logged on by way of the Telnet connection is notified that the session has been terminated.

If you have logged on with administrator capabilities, the command-line prompt ends with a (#) sign. For example:

```
SummitPx1:18#
```

## Changing the Default Passwords

The switch is automatically configured with one account at each level, with the names `user` and `admin`. By default, these accounts do not have passwords assigned to them. To add a password to the default `admin` account, follow these steps:

- 1 Log in to the switch using the name `admin`.
- 2 At the password prompt, press [Return].
- 3 Add a default password by entering the following:

```
config account admin
```

—or—

```
config account user
```

- 4 Enter the new password at the prompt. Passwords can have up to 32 characters, and are case-sensitive.
- 5 Re-enter the new password at the prompt.

If you forget your password while logged out of the command-line interface, contact your local technical support representative, who will advise on your next course of action.

## Creating Accounts

The application switch can have a total of 16 management accounts. You can use the default accounts (`admin` and `user`), or you can create additional accounts with new names and passwords. To create a new account, follow these steps:

- 1 Log in to the switch as `admin`.
- 2 At the password prompt, press [Return], or enter the password that you have configured for the `admin` account.
- 3 Add a new account by using the following command:  

```
create account [admin | user] <username>
```

User names are case-sensitive.
- 4 Enter the password at the prompt. Passwords can have up to 32 characters, and are case-sensitive.
- 5 Re-enter the password at the prompt.

## Modifying Accounts

To change the password of an account other than your own, you must have administrator privileges. Use the following command to modify an account:

```
config account <username>
```

Enter and confirm the new password at the prompts.

## Viewing Accounts

To view the accounts that have been created, you must have administrator privileges. Use the following command to see the accounts:

```
show accounts
```

## Deleting an Account

To delete an account, you must have administrator privileges. Use the following command to delete an account:

```
delete account <username>
```

The account name `admin` cannot be deleted.

## Managing the PxM

You can manage the PxM in any of the following ways:

- Using the `connect` command in the BlackDiamond.
- Using the serial port (useful for debugging).
- Using the 101100 port (for out-of-band management).

VLANs are always enabled on the PxM. A configuration that does not contain VLAN information will fail to build and report syntax errors for the PxM. You must configure a VLAN on the MSM before you configure it on the PxM. See “Configuring VLANs” on page 4-8.

Table 4-3 shows BlackDiamond ExtremeWare commands that apply solely to the PxM, or have specific syntax that applies to the PxM:

**Table 4-3:** Commands Unique to the PxM

Command	Description
<code>connect slot &lt;number&gt;</code>	Creates a PxM session for the specified slot.
<code>show pxm [interfaces] [slot &lt;number&gt;]</code>	Displays data on the PxM in the specified slot. If no slot is specified, displays data on all PxMs in the chassis. If you specify the optional <code>interfaces</code> argument, the command updates the statistical information in real time.
<code>download [image config] &lt;hostname&gt; &lt;filename&gt; [primary secondary] [slot &lt;number&gt;]</code>	Downloads the specified image or configuration from the specified host to the PxM in the specified slot. If no slot is specified, downloads to all PxMs in the chassis.
<code>use [image config] [primary secondary] [slot &lt;number&gt;]</code>	Sets the default image or configuration for the PxM in the specified slot. If no slot is specified, sets the default for all PxMs in the chassis.

Some commands do not work at all if the PxM is not booted and ready. It can take more than two minutes to boot. To verify from the MSM that a PxM is booted, use the command `show pxm`.

- If the PxM is booted and ready, the card state is displayed as `operational`.
- If the PxM for a slot has not been booted or is not ready, the command shows no status for that slot.

## Configuring VLANs

The Px series application switch supports up to 4,096 VLANs. VIPs and servers can be on any VLAN, but the system IP and proxy IPs must reside in the same VLAN. For all but the main system VLAN, the application switch learns VLANs as traffic is received for the VIP or real server that resides on a VLAN.

The application switch identifies VLANs with 802.1q VLAN ID numbers rather than names. You must configure the VLAN number on the system IP address.

For the SummitPx1, before configuring VLANs for the application switch itself, you must enable VLAN tagging on the switch port connected to the application switch, and add the VLANs you need to the port, using the manufacturer's instructions. For the PxM, VLANs are automatically enabled between the PxM and the connected BlackDiamond switch.

To configure VLANs for the application switch:

- Enable VLANs on the application switch, using the following command:

```
enable vlan
```

- Configure the system VLAN on the application switch, using the following commands:

```
config system-ip <ipaddress> / <netmask> vlan <vlan_tag_number>  
build
```

The SummitPx1 learns VLAN tags as traffic enters on the tagged port. On the PxM, however, you must configure a VLAN tag for each virtual service. (This is optional for the SummitPx1, where you can assign a specific VLAN tag to a virtual service for use with VRRP failover; see Chapter 8.)

To assign a VLAN tag to a service, use the following command:

```
config service vip <ip address> vlan <vlan_tag_number> port <number>
  protocol [tcp|udp] [L4|L7] server-group-name <label>
```

## Configuring SNMP

Any network manager running the Simple Network Management Protocol (SNMP) can manage the switch, provided that the management information base (MIB) is installed correctly on the management station. Each network manager provides its own user interface to the management facilities. If you are not familiar with SNMP management, refer to the following publication:

*The Simple Book* by Marshall T. Rose  
ISBN 0-13-8121611-9  
Published by Prentice Hall



*Changes to SNMP settings are executed immediately, and do not require the build command.*

Table 4-4 describes how to configure SNMP settings for the application switch.

**Table 4-4:** SNMP Configuration Settings

Setting	Description
<b>System contact</b> (optional)	The system contact is a text field that identifies the person or persons responsible for managing the application switch.  Syntax:  SummitPx1:15 # config snmp sysContact <string>
<b>System name</b>	The system name is the name that you have assigned to this application switch. The default is the model name of the switch (for example, SummitPx1). This value is also used to set the prompt for the command-line interface.  Syntax:  * SummitPx1:13 # config snmp sysName <string>
<b>System location</b> (optional)	Use the system location field to enter an optional location for this application switch.  Syntax:  * SummitPx1:14 # config snmp sysLocation <string>

**Table 4-4: SNMP Configuration Settings**

Setting	Description
<b>Community strings</b>	<p>The community strings allow a simple method of authentication between the application switch and the remote Network Manager. There are two types of community strings on the application switch.</p> <ul style="list-style-type: none"><li>■ Read community strings provide read-only access to the application switch. The default read-only community string is <code>public</code>.</li><li>■ Read-write community strings provide read and write access to the application switch. The default read-write community string is <code>private</code>.</li></ul> <p>A total of eight community strings can be configured on the application switch. The community string for all authorized trap receivers must be configured on the application switch for the trap receiver to receive.</p> <p>Syntax:</p> <pre>* SummitPx1:16 # config snmp add community readonly &lt;string&gt; * SummitPx1:17 # config snmp add community readwrite &lt;string&gt;</pre>
<b>Authorized trap receivers</b>	<p>An authorized trap receiver can be one or more network management stations on your network. The application switch sends SNMP traps to all trap receivers. You can have a maximum of 16 trap receivers configured for each application switch.</p> <p>Syntax:</p> <pre>* SummitPx1:17 #config snmp add trapreceiver &lt;ipaddress&gt;</pre> <p>Optionally, you can change the IP port to which traps are sent if the server is running the syslog process on a non-standard port:</p> <pre>* SummitPx1:17 #config snmp add trapreceiver &lt;ipaddress&gt; community &lt;string&gt; port &lt;number&gt;</pre>

## Configuring DNS Client Services

The Domain Name Service (DNS) client in ExtremeWare augments the following commands to allow them to accept either IP addresses or host names:

- `telnet`
- `download [configuration | image]`
- `upload configuration`
- `ping`
- `tracertoute`



In addition, the `nslookup` utility can be used to return the IP address of a hostname.

Table 4-5 lists commands used to configure the DNS client.

**Table 4-5:** DNS Client Configuration Commands

Command	Description
<code>config dns-client add &lt;ipaddress&gt;</code>	Adds a DNS name server(s) to the available server list for the DNS client. Up to three name servers can be configured.
<code>config dns-client default-domain &lt;domain_name&gt;</code>	Configures the domain that the DNS client uses if a fully qualified domain name is not entered. For example, if the default domain is configured to be <code>foo.com</code> , executing <code>ping bar</code> searches for <code>bar.foo.com</code> .
<code>config dns-client delete &lt;ipaddress&gt;</code>	Removes a DNS server.
<code>nslookup &lt;hostname&gt;</code>	Displays the IP address of the requested host.
<code>show dns-client</code>	Displays the DNS configuration.

## Using Secure Shell 2 (SSH2)

The ExtremeWare Secure Shell 2 (SSH2) switch application allows you to encrypt Telnet session data between a network administrator using SSH2 client software and the switch, or to send encrypted data from the switch to an SSH2 client on a remote system. Image and configuration files may also be transferred to the switch using the Secure Copy Protocol 2 (SCP2). A command enables the switch to function as an SSH2 client, sending commands to a remote system via an SSH2 session. There are also commands to copy image and configuration files to the switch using the SCP2.

The ExtremeWare SSH2 switch application is based on the Data Fellows™ SSH2 server implementation. It is highly recommended that you use the F-Secure SSH client products from Data Fellows corporation. These applications are available for most operating systems. For more information, refer to the Data Fellows website at:

<http://www.datafellows.com>



*SSH2 is compatible with the Data Fellows SSH2 client version 2.0.12 or above.  
SSH2 is not compatible with SSH1.*

The ExtremeWare SSH2 switch application also works with SSH2 client and server (version 2.x or later) from SSH Communication Security, and the free SSH2 and SCP2 implementation (version 2.5 or later) from OpenSSH. The SFTP file transfer protocol is required for file transfer using SCP2.

## Enabling SSH2 for Inbound Switch Access

Because SSH2 is currently under U.S. export restrictions, you must first obtain a security-enabled version of the ExtremeWare software from Extreme Networks before you can enable SSH2. The procedure for obtaining a security-enabled version of the ExtremeWare software is described in the *ExtremeWare Software User Guide*.

You must enable SSH2 on the switch before you can connect to it using an external SSH2 client. Enabling SSH2 involves two steps:

- Enabling SSH2 access, which may include specifying a list of clients that can access the switch, and specifying a TCP port to be used for communication. By default, if you have a security license, SSH2 is enabled using TCP port 22, with no restrictions on client access.
- Generating or specifying an authentication key for the SSH2 session.

To enable SSH2, use the following command:

```
enable ssh2 {access-profile [<access_profile> | none] {port  
  <tcp_port_number>}}
```

You can specify a list of predefined clients that are allowed SSH2 access to the switch. To do this, you must create an access profile that contains a list of allowed IP addresses. For more information on creating access profiles, refer to the *ExtremeWare Software User Guide*.

You can also specify a TCP port number to be used for SSH2 communication. By default the TCP port number is 22. The supported cipher is 3DES-CBC. The supported key exchange is DSA.

An authentication key must be generated before the switch can accept incoming SSH2 sessions. This can be done automatically by the switch, or you can enter a previously generated key. To have the key generated by the switch, use the following command:

```
config ssh2 key
```

You are prompted to enter information to be used in generating the key. The key generation process takes approximately ten minutes. Once the key has been generated, you should save your configuration to preserve the key.

To use a key that has been previously created, use the following command:

```
config ssh2 key pregenerated
```

You are prompted to enter the pregenerated key. The key generation process generates the SSH2 private host key. The SSH2 public host key is derived from the private host key, and is automatically transmitted to the SSH2 client at the beginning of an SSH2 session.

Before you initiate a session from an SSH2 client, ensure that the client is configured for any nondefault access list or TCP port information that you have configured on the switch. Once these tasks are accomplished, you may establish an SSH2-encrypted session with the switch. Clients must have a valid user name and password on the switch in order to log into the switch after the SSH2 session has been established.

For additional information on the SSH protocol refer to [FIPS-186] Federal Information Processing Standards Publication (FIPSPUB) 186, Digital Signature Standard, 18 May 1994. This can be download from: <ftp://ftp.cs.hut.fi/pub/ssh>. General technical information is also available from <http://www.ssh.fi>.

## Using SCP2 from an External SSH2 Client

In ExtremeWare version 6.2.1 or later, the SCP2 protocol is supported for transferring image and configuration files to the switch from the SSH2 client, and for copying the switch configuration from the switch to an SSH2 client. The user must have administrator-level access to the switch. The switch can be specified by its switch name or IP address.

You can use any names for configuration or image files stored on the system running the SSH2 client. However, files on the switch have predefined names, as follows:

- `configuration.cfg`—The current configuration
- `incremental.cfg`—The current incremental configuration
- `primary.img`—The primary ExtremeWare image
- `secondary.img`—The secondary ExtremeWare image
- `bootrom.img`—The BootROM image

For example, to copy an image file saved as *image1.xtr* to switch with IP address 10.10.0.5 as the primary image using SCP2, you would enter the following command within your SSH2 session:

```
scp image1.xtr admin@10.20.0.5:primary.img
```

To copy the configuration from the switch and save it in file *config1.save* using SCP, you would enter the following command within your SSH2 session:

```
scp admin@10.10.0.5:configuration.cfg config1.save
```

## SSH2 Client Functions on the Switch

In ExtremeWare version 6.2.1 or later, an Extreme Networks switch can function as an SSH2 client. This means you can connect from the switch to a remote device running an SSH2 server, and send commands to that device. You can also use SCP2 to transfer files to and from the remote device.

You do not need to enable SSH2 or generate an authentication key to use the SSH2 and SCP2 commands from the ExtremeWare command-line interface.

To send commands to a remote system using SSH2, use the following command:

```
ssh2 {cipher [3des | blowfish]} {port <portnum>} {compression  
  [on | off]} {user <username>} {debug <debug_level>} {<username>@}  
  [<host> | <ipaddress>] <remote commands>
```

The remote commands can be any commands acceptable by the remote system. You can specify the login user name as a separate argument, or as part of the *user@host* specification. If the login user name for the remote system is the same as your user name on the switch, you can omit the username parameter entirely.

To initiate a file copy from a remote system to the switch using SCP2, use the following command:

```
scp2 {cipher [3des | blowfish]} {port <portnum>} {debug <debug_level>}  
  <user>@[<hostname> | <ipaddress>]:<remote_file>  
  [configuration {incremental} | image [primary | secondary] | bootrom]
```

To initiate a file copy to a remote system from the switch using SCP2, use the following command:

```
scp2 {cipher [3des | blowfish]} {port <portnum>} {debug <debug_level>}  
  configuration <user>@[<hostname> | <ipaddress>]:<remote_file>ave it
```

# Utilities

The Px series application switch offers utilities for the following operations:

- Checking Basic Connectivity on page 4-15
- Logging on page 4-16
- Configuring a Startup Banner Message on page 4-17
- Starting the GlobalPx Content Director Agent on page 4-17

## Showing CPU Load

Use the following command to show the CPU load:

```
top
```

This is similar to the UNIX top command. The idle task, `BGTask`, shows 99%-100% if nothing else is going on.

## Checking Basic Connectivity

The Px series application switch offers the following commands for checking basic connectivity:

- The `ping` command enables you to send Internet Control Message Protocol (ICMP) echo messages to a remote IP device. This command is available for both the user and administrator privilege level. The command syntax is:

```
ping [<ipaddress>|<hostname>]
```

- The `traceroute` command enables you to trace the routed path between the switch and a destination end station. The command syntax is:

```
traceroute [<ip_address> | <hostname>]
```

## Logging

The Px series application switch supports two logging facilities, a local log and the UNIX `syslog` facility for remote logging.

The application switch log tracks all configuration and fault information pertaining to the device. The switch maintains 1,000 messages in its internal log. To enable the log, use the command:

```
enable log
```

To view the log, use the command:

```
show log <level>
```

The `<level>` argument is optional. By default, all messages are shown. The values for `<level>` are:

a	errors	displays error messages
b	fatal	displays fatal messages
c	info	displays informational messages
d	warning	displays warning messages

To change the level of messages that are logged, use the command:

```
config log display <level>
```

The `<level>` argument is optional. By default, the level is set to `b`, fatal messages.

To clear the log, use the command:

```
clear log
```

In addition to maintaining the internal log, the switch supports remote logging by way of the UNIX `syslog` host facility. To enable remote logging, do the following:

- 1 Configure the `syslog` host to accept and log messages.
- 2 Enable remote logging using the following command:

```
enable syslog
```

- 3 Configure remote logging using the following command:

```
config syslog ipaddress <ipaddress>
```

## Configuring a Startup Banner Message

To configure a banner message to display after reboot, use the following command:

```
config banner
```

At the prompt, type the banner message. To exit the banner input script, type [Return][Return].

To view the configured banner, use the following command:

```
show banner
```

## Starting the GlobalPx Content Director Agent

Extreme Networks GlobalPx Content Director™ is a DNS-based Internet traffic management system, allowing you to take advantage of network and server resources regardless of their location on the Internet or your Intranet. As you add *points of presence* (POPs, clusters of one or more Px-series switches) to a network, GlobalPx Content Director monitors server loads and network response latencies, distributing client requests to the POP that it determines will deliver the best performance. GlobalPx Content Director improves client access performance and reliability by leveraging dispersed network resources.

The GlobalPx Content Director transparently directs clients and client DNS servers to the most appropriate POP to satisfy client requests. Typically, the physically closest POP is the one that gives the fastest response. However, this is not always the case. The GlobalPx Content Director *scheduler* routes requests to the optimal POP. In determining the optimal POP, the scheduler receives the following information from the Px series application switch that runs the *agents* that monitor each POP:

- Client/server **network latency**—The time it takes for information to travel from the POP to the client. The closest POP in terms of response time exhibits the least latency.
- Real-time server **load**—The computing burden of the POP. The least loaded POP can handle requests most quickly.
- Server **availability**—Only those POPs that are running and available are eligible to receive requests. Requests are scheduled around failed POPs. Once an unavailable POP comes back up, the scheduler includes it again as a possible POP for selection.

To minimize response time to the client, requests are directed to servers at a POP that is available and that has the smallest network latency and load.

To start and stop the GlobalPx Content Director agent on the Px series application switch, use the following commands:

```
enable gslb-agent [port <number>]
disable gslb-agent
```

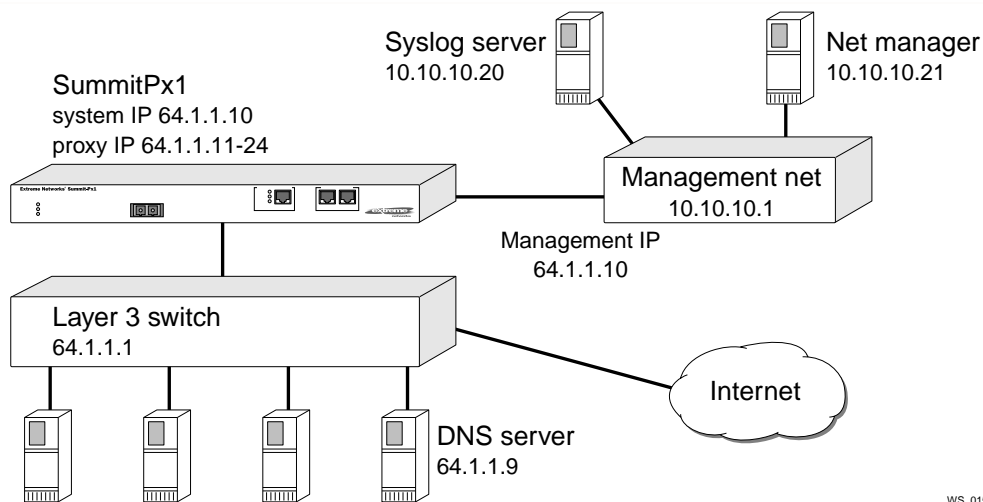
To check on the agent's activities, use the following command:

```
show gslb-agent
  gslb-agent is [enabled | disabled]
  listening on IP address a.b.c.d:port
  last contacted by scheduler ipaddr at time
  contacted by schedulers: ipaddr ipaddr ipaddr ...
  current load: <num>
```

For more information, see the *GlobalPx Content Director Installation and User Guide*.

## Example Configuration

In the following example, a Px series application switch is installed in a site with a syslog server and network manager on a back end management network, and a DNS server on the main network.



WS\_015



The following commands configure all system-related facilities:

```
#-----  
# system configuration  
#-----  
config system-ip 64.1.1.10 / 24  
config default-gateway 64.1.1.1  
disable vlan  
config mgmt ipaddress 10.10.10.10 / 24  
enable syslog  
config syslog ip 10.10.10.20  
config nat-mode full  
enable clipaging  
disable port gigabit  
#-----  
# proxy-ip's  
#-----  
config proxy-ip 64.1.1.11 - 64.1.1.42  
#-----  
# SNMP configuration  
#-----  
config snmp sysName "balancer"  
config snmp sysLocation "Exodus Colo"  
config snmp sysContact "Web Admin"  
config add trap receiver 10.10.10.21 "public" 162  
config snmp add community readonly "readme"  
config snmp add community readwrite "doall"
```



# 5

## Configuring Servers and Services

---

This chapter describes how to configure the real servers that will be load balanced, how to create groups of servers and put the real servers into them, and how to create a layer 4 or layer 7 virtual service. It contains the following sections:

- Configuring Real Servers on page 5-1
- Configuring Server Groups on page 5-2
- Configuring Virtual Services on page 5-3
- Configuration Example on page 5-6

### Configuring Real Servers

The *real servers* are the actual web or application servers that fulfill the client requests. Typically, there are one or more identical real servers, each of which runs the same application and contains the exact same content.

To configure a server use the following command:

```
config server index <number> ipaddress <ipaddress> port <number>  
max-connections <number> weight <number>
```

- Each server must have a unique index number. The index number can be used to perform operations on several different servers at once.
- Each server must have one IP address and port. The IP address is the actual IP address of the server, and the port number is the IP port that the server uses to

answer requests. Servers can share an IP address, but the port must be unique for each server.

- **Max-connections** represents the maximum number of concurrent connections this server can handle. After that number is reached, no more connections are sent to that particular server until some of the open ones have been closed (unless a persistence method is specified; see “Persistence Modes” on page 6-2). Most servers can handle fewer than 5,000 connections.
- **Weight** is used by weighted algorithms for load balancing. Use equal weights for all servers (or 1 for simplicity’s sake) with non-weighted algorithms. See Chapter 6.

If servers are configured at contiguous IP addresses, and have identical attributes, you can specify many identical servers at once using a range of IP addresses. The specified index is used for the first server and incremented for each configured server. The following example creates servers with indexes 3 through 10:

```
config server index 3 ipaddress 10.2.2.2 - 10.2.2.9 port 80
    max-connections 4000 weight 1
```

To remove a server or range of servers from the system, use the following commands:

```
unconfig server index <index>
unconfig server index <index> - <index2>
unconfig server ipaddress <ipaddress>
unconfig server ipaddress <ipaddress> - <ipaddress>
```

## Configuring Server Groups

After all of the servers needed for a particular virtual service have been created, they must be organized into a *server group*. This group is used in the definition of the virtual service itself. The following command creates a server group:

```
config server-group name <string> policy [rr | wrr | lc | wlc]
```

Each server group definition includes a unique name, used when configuring the server group or used elsewhere in the configuration. A load balancing policy is the method of choosing servers. See Chapter 6 for policy details.

You can optionally specify a *server of last resort* for the group. This is a server to which traffic is sent if all the servers in a server-group are down. It could be a server that simply replies to the client with a "SYSTEM DOWN" message, or a server that can service the request under emergency circumstances (perhaps a development machine or

a system in another geographical location). To specify the server of last resort, use the optional `server-last-resort` argument:

```
config server-group name <string> policy <policy spec>
    server-last-resort <index>
```

After a server-group is created, add a server or range of servers to it using the following commands:

```
config server-group name <group name> add-server index <number>
config server-group name <group name> add-server ip-address <ip>
config server-group name <group name> add-server index <index - index2>
config server-group name <group name> add-server ip-address <ip - ip>
```

You can specify a server or range of servers by IP address or by server index. For example:

```
config server-group name group1 add-server index 1
config server-group name group1 add-server ip-address 10.10.10.2
config server-group name group1 add-server index 1 - 34
config server-group name group1 add-server
    ip-address 10.10.10.2 - 10.10.10.15
```

To delete a server or range of servers from a group, use the following commands:

```
config server-group name <name> delete-server index <index num>
config server-group name <name> delete-server index <index> - <index2>
config server-group name <text> delete-server ip-address <ip>
config server-group name <name> delete-server ip-address <ip - ip>
```

This removes the specified server (or servers) from the server group, but leaves it configured in the system, so that it can be added to a different group.

## Configuring Virtual Services

The virtual service is the IP address and port to which clients on the Internet actually connect. Use the following basic command to configure a virtual service:

```
config service vip <ip address> port <number> protocol [tcp|udp]
    [L4|L7] server-group-name <label>
```

You can assign a specific VLAN tag to a virtual service. VLAN tags for services are optional for the SummitPx1, but required on the PxM. To assign a VLAN tag to a service, use the following command:

```
config service vip <ip address> vlan <vlan_tag_number> port <number>
  protocol [tcp|udp] [L4|L7] server-group-name <label>
```

## Layer 4 Port-based Load Balancing

A layer 4 service does not examine traffic and make decisions based on cookies or URLs. Layer 4 virtual services include the virtual IP address (VIP), the IP port of the service, the protocol (tcp or udp), and the name of the server group to use.

Define layer 4 services with the following command:

```
config service vip <ipaddress> port <number> protocol [tcp|udp]
  L4 server-group-name <name>
```

You can configure a layer 4 service on a VLAN, using the optional `vlan` argument:

```
config service vip <ip address> vlan <vlan name> port <number>
  protocol [tcp|udp] L4
```

## Layer 7 Virtual Services

Layer 7 virtual services require a more complex configuration, because they must include information about what domains, URLs, and cookies should be processed. Use the following commands to configure layer 7 virtual services:

```
config service vip <ipaddress> port <number> proto [tcp|udp] L7
  class [http | https]
```

The *class* of application that the VIP supports is either `http` for regular web traffic, or `https` for SSL session persistence. You can also specify a VLAN using the optional `vlan` argument.

```
config domain name <string or ipaddress>
```

Domain names refer to the DNS domains that are used at the service. Domains are always required. If you use only the URL to make your server selection, use the special domain name `domain*`.

```
config pattern-rule "<string>" server-group-name <name>
```

Pattern rules specify the URL that is being matched and the server group that should be used to forward traffic for that URL match.

```
config domain default
config pattern-rule default server-group-name <name>
```

All layer 7 service definitions require at least a default pattern rule, to define the “last resort” rule for URL switching. If you use any domain other than `domain*`, you must define a default domain. The default domain can only contain one pattern rule: the default. These defaults also provide the place to configure cookie and SSL persistence:

```
config pattern-rule default server-group-name <name> cookie-name <name>
  cookie-type [self | hash | learned]
```

Cookie-name is the ASCII name of the cookie to search for, and cookie type refers to the type of cookie-based persistence for the virtual service. Although you configure cookies for the default domain, the cookie information applies to the entire site. See Chapter 6 for more information on cookies.

## Configuring Traffic Tagging

You can configure a service to tag traffic based on the application or transaction type. You can then use the tag for QoS, MPLS tunneling, or bandwidth reservation, all enforced by the L2/3 infrastructure.

You can specify tags for the 802.1p header and the DiffServ code point (DSCP) in the TCP header. You can tag either or both of these fields. You can specify different tags for traffic towards the server and traffic towards the network.

- For level 4 services, configure the service itself for tagging:

```
config service vip <addr> port <port> proto tcp L4 <tag spec>
```

- For level 7 services, create rules to apply the tags, so that when a session is initiated, the flow is tagged with the specified values.

```
config service vip <addr> port <port> proto tcp L7 class http
config domain name <domain>
config pattern-rule [<url>|default] server-group-name <grp>
  <tag spec>
```

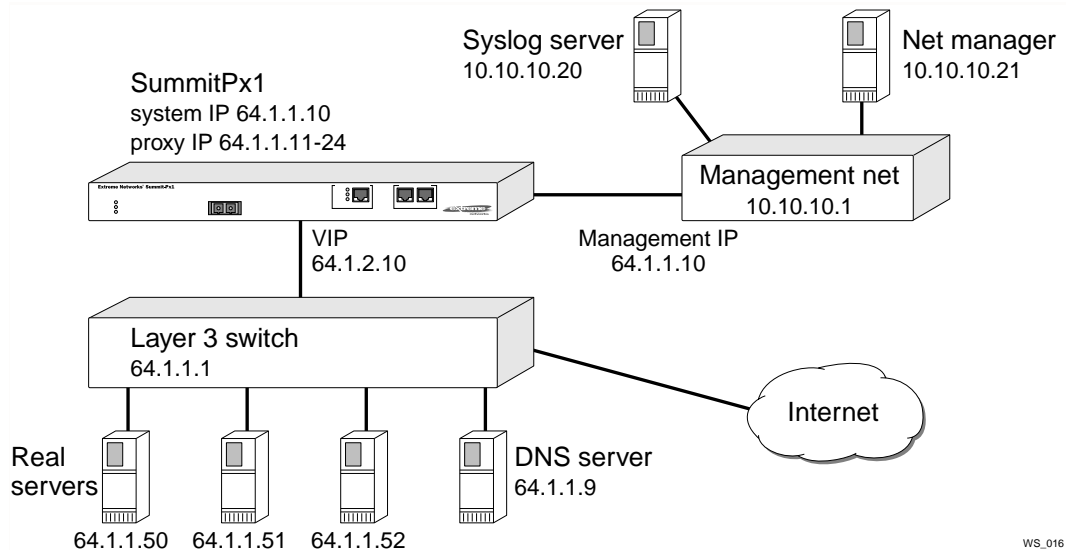
Table 5-1 shows the possible tag specifications.

**Table 5-1: Tag Specifications**

Tag Specification	Description	Tag Range
dot1p-to-svr <tag>	Applies the specified tag to the 802.1p header for packets directed to the server.	0 - 7
dot1p-to-net <tag>	Applies the specified tag to the 802.1p header for packets directed to the network.	0 - 7
diffserv-to-svr <tag>	Applies the specified tag to the DiffServ code point for packets directed to the server.	0 - 0x3F
diffserv-to-net <tag>	Applies the specified tag to the DiffServ code point for packets directed to the network.	0 - 0x3F

## Configuration Example

The example builds upon the example from Chapter 4 and includes configurations for the simple layer 4 web server infrastructure for `yourdomain.com`. Notice that VLANs and the system-ip address definition have been added to the configuration.



For layer 7 examples, consult later chapters in this book.



```

#-----
# servers
#-----
config server index 1 ip 64.1.1.50 port 80 max-con 5000 weight 1
config server index 2 ip 64.1.1.51 port 80 max-con 5000 weight 1
config server index 3 ip 64.1.1.52 port 80 max-con 5000 weight 1

#-----
# server-groups
#-----
config server-group name yourdomain policy rr
config server-group name yourdomain add-server index 1 - 3

#-----
# service-table
#-----
config service vip 64.1.2.10 port 80 protocol tcp l4 server-group-name
yourdomain
#-----
# system configuration
#-----
config system-ip 64.1.1.10 / 24
config default-gateway 64.1.1.1
disable vlan
config mgmt ipaddress 10.10.10.10 / 24 vlan 100
enable vlan
enable syslog
config syslog ip 10.10.10.20
config nat-mode full
enable clipaging
disable port gigabit
#-----
# proxy-ip's
#-----
config proxy-ip 64.1.1.11 - 64.1.1.42
#-----
# SNMP configuration
#-----
config snmp sysName "balancer"
config snmp sysLocation "Exodus Colo"
config snmp sysContact "Web Admin"
config add trap receiver 10.10.10.21 "public" 162
config snmp add community readonly "readme"
config snmp add community readwrite "doall"

```



# 6

## Choosing Policies, Persistence Modes, and NAT

---

This chapter describes how to specify scheduling policies for layer 4 load balancing, session persistence, and network address translations. It contains the following sections:

- Scheduling Policies on page 6-1
- Persistence Modes on page 6-2
- NAT Modes on page 6-14
- Configuration Example on page 6-17

### Scheduling Policies

The Px series application switch uses scheduling policies in load balancing to select the real server to which to forward a client request. Scheduling policies are specified as part of the server-group command. This means that any service that uses a specific server group uses the policy defined for that group.

If different policies are needed for services using the same server group, simply create another group with the same members, but with a different policy selected, using the following command:

```
config server-group name <string> policy [lc |rr | wlc |wrr]
```

The Px series application switch supports the following scheduling policies:

**Table 6-1:** Scheduling Policies

Specifier	Policy	Description
rr	round robin	<p>Distributes clients evenly across the web server group by passing each new connection request to the next server in line. The first client connection is sent to the first server, the second to the second server, and so on, until each server has a connection. When each server has its first connection, the next client connection is sent to the first server, the next to the second, and so on.</p> <p>Round robin is the simplest way of balancing web traffic, and is best suited for environments where the performance level of all servers is about equal, and all servers provide the same content.</p>
wrr	weighted round robin	<p>Similar to round robin, except that you can apply a weight to each server. For example, if server A has a weight of two, and server B has a weight of one, server A receives two connections for each connection given to server B.</p> <p>Weighted round robin is useful if all servers provide the same content, but some are faster than others.</p>
lc	least connections	<p>Passes a new connection to the server having the least number of active sessions. It distributes clients based on the server with the least connections currently open.</p> <p>The least connections policy provides the best performance under most conditions.</p>
wlc	weighted least connections	<p>As in weighted round robin, assigns a weight to each server. The weight can be based on a number of things, including:</p> <ul style="list-style-type: none"><li>■ Processor speed</li><li>■ Network connection speed</li></ul> <p>Connections are distributed using the servers with the least connections by weight. As in weighted round robin, weighted least connections can be used if servers have very different connection handling capacities.</p> <p>Weighted least connections has the advantage of not overloading older, slower servers with too many connections.</p>

## Persistence Modes

*Persistence*, also called *stickiness*, is the maintenance of a session between a client and a particular web server. Most medium- and large-scale websites have multiple, redundant web servers that are run in parallel and contain duplicate information. When a client

accesses the website, it opens a session with one of the web servers. To optimize the communication and, in many cases, for the website to function correctly, each time the client communicates with the website within the current session, the client must communicate with the web server that established the session.

The Px series application switch provides the following types of persistence:

- UDP persistence
- Client IP persistence
- Cookie persistence
- SSL session identifier persistence

## UDP Flow Persistence

A UDP flow is recycled if it is idle for the time specified by the `UDP-flow-persistence` timer. To set this timer, use the following command:

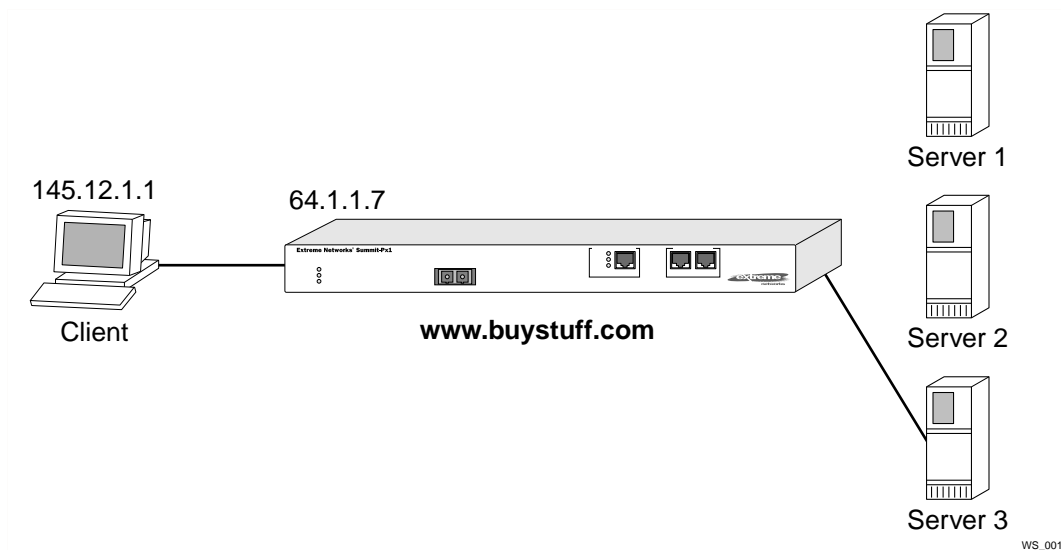
```
config timeout udp-flow-persistence <seconds>
```

The default value for the timer is 40 seconds.

## Client IP Persistence Mode

Client IP persistence mode is a layer 4 mode for establishing stickiness. In this mode, the application switch examines the IP address in the client request. Each time the application switch receives a request from the same IP address, the application switch forwards the request to the same web server.

Figure 6-1 illustrates client IP persistence mode.



**Figure 6-1:** Client IP persistence mode

The following transactions occur in Figure 6-1:

- The client with IP address 145.12.1.1 transmits its first TCP request to `www.buystuff.com` at its VIP address, 64.1.1.7.
- Using its configured load balancing policy, the Px series application switch selects server 3 as the web server.
- The application switch sends the first request to the selected web server.
- The server sends a request back to the client via the application switch, thus establishing a session between the server and the client.
- The client sends another request.
- The application switch examines the IP address, sees that the request is from client 125.12.1.1.
- The application switch forwards the request to server 3.

This scenario continues until the session persistence times out.

Client IP persistence mode requires that the IP address of the client remain the same for the entire session. It does not work if the client IP address changes dynamically within a session; for example, for large ISPs that conserve IP addresses by using a single proxy address for many different clients. In this case, use one of the cookie persistence modes.

## Configuring Client IP Stickiness

To enable and disable client IP persistence (stickiness), use the following commands:

```
[enable | disable] sticky [L4 | L7] client-ip
```

Client IP entries are aged out of the database in a configurable amount of time. By default, they are deleted after 30 seconds without use. To adjust these timers, use the following command:

```
config sticky client-ip timeout HH:MM:SS
```

The timer affects both layer 4 and layer 7. Valid values are in the range 00:00:05 (5 seconds) to 97:43:52. You can specify the value `infinity` to indicate that the stickiness should last forever.

## Cookie Persistence Modes

Cookie persistence modes are layer 7 methods for establishing stickiness. When a client accesses a web server, the web server can send the client a cookie. The cookie can be programmed to contain many different pieces of information, including:

- The IP address of the web server
- A session identifier
- The expiration timer for the cookie
- Other information generated by the server

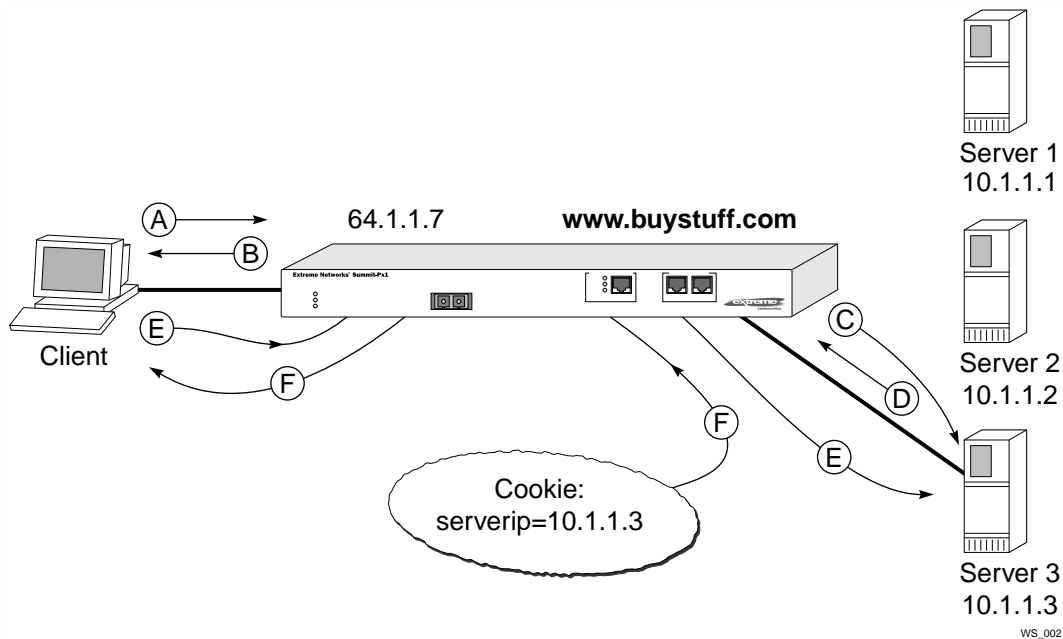
Each time the client sends a request to the server, the cookie is sent as part of the transmission. Using cookie persistence modes, the Px series application switch examines information in the cookie and uses that information to maintain the session with the appropriate web server.

The Px series application switch supports three cookie persistence modes:

- Self-identifying cookie persistence
- Hashed cookie persistence
- Learned cookie persistence

### Self-Identifying Cookie Persistence Mode

Using self-identifying cookie persistence, the web server places its real IP address in the cookie. Figure 6-2 illustrates self-identifying cookie persistence mode.



**Figure 6-2:** Self-identifying cookie persistence mode

The following transactions occur in Figure 6-2:

- The website administrator of www.buystuff.com sets up each web server (server 1, server 2, and server 3) to create a cookie that contains the real IP address of the web server.
  - Cookies created by server 1 contain IP address 10.1.1.1.
  - Cookies created by server 2 contain IP address 10.1.1.2.
  - Cookies created by server 3 contain IP address 10.1.1.3.
- The website administrator configures the Px series application switch to use self-identifying cookie persistence mode.
- The client transmits its first TCP request (A) to www.buystuff.com at its publicly-known VIP address, 64.1.1.7.
- The Px series application switch responds (B) on behalf of 64.1.1.7, and the three-way TCP handshake is established between the client and the Px series application switch.



- Using its configured load balancing policy, the Px series application switch selects one of the web servers. In this example, server 3.
- A three-way TCP handshake is established between the Px series application switch (C) and server 3 (D).
- The application switch forwards the first data request from the client to server 3 (E).
- The first response from server 3 to the client contains a cookie. (F). The cookie contains the real IP address of the server, 10.1.1.3.
- Each subsequent request sent from the client to the website contains the cookie.
- The application switch examines the cookie and sends each request from this client to server 3. If server 3 fails health checks, the request will be forwarded to another server.

The following Perl example sends a cookie to the user's browser, and handles the case of server failure. If the chosen server fails, then a request will come to a server that contains the wrong IP address. In this case, the program responds by sending a new cookie that creates persistence to the new server.

```
#!/usr/bin/perl
#
# Check and set or reset Server Load Balancer host cookie example
# Uses CGI.pm available at CPAN (www.cpan.org)

use CGI qw(:standard);

$SLBCookie = 'sticky_slba'; # Name of cookie SLB switches on
$HostIPAddr = '10.10.10.106'; # This server's private IP Address

$query = new CGI;

$ExistingHostCookie = $query->cookie($SLBCookie); #Retrieve the cookie
if ($ExistingHostCookie ne $HostIPAddr) {          #If not set correctly
    $NewHostCookie = $query->cookie(-name=>$SLBCookie,
    -value=>$HostIPAddr);                          #Build a new cookie
    print $query->header(-cookie=>$NewHostCookie); #include in the header
}
else {
    print $query->header;                            # So nothing extra in the header
}

# Example done
```

```

# Additional information may be useful during debugging
print start_html('Cookie Tester');

if (!$ExistingHostCookie) {
    print "No cookie named $SLBCookie existed<br>\n";
    print "It was set to the local host address of $HostIPAddr<br>\n";
}
elseif ($ExistingHostCookie ne $HostIPAddr) {
    print "The cookie named $SLBCookie was set for host
        $ExistingHostCookie<br>\n";
    print "It was reset to the local host address of $HostIPAddr<br>\n";
}
else {
    print "The cookie named $SLBCookie was correctly set to
        $ExistingHostCookie<br>\n";
    print "No action was taken<br>\n";
}

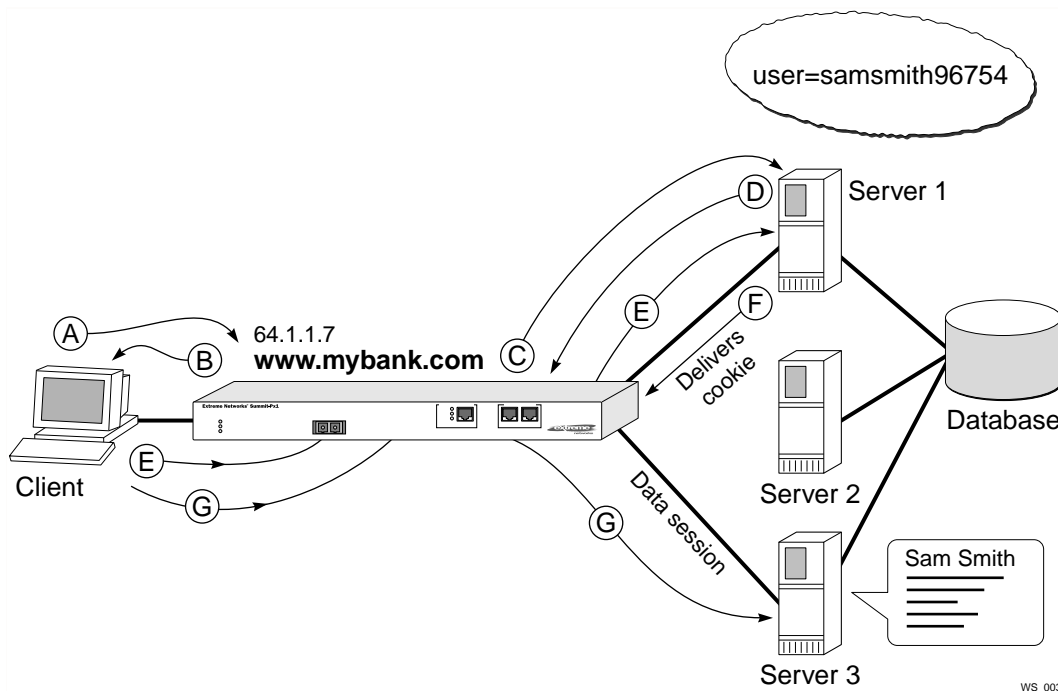
print end_html;

```

## Hashed Cookie Persistence

Using hashed cookie persistence, unique information about the client is placed in the cookie. When the application switch examines the cookie, it performs a mathematical hash of the unique contents of the cookie. The mathematical hash operation always renders the same numeric value for the cookie. In other words, a given cookie is always forwarded to the same server until the size of the server pool changes.

Figure 6-3 illustrates hashed cookie persistence.



**Figure 6-3:** Hashed cookie persistence mode

Figure 6-3 shows a typical financial website named `www.mybank.com`. This website has three real servers, each connected to a single backend database system. To minimize time-consuming database “hits,” when a client makes a request of a web server, the web server queries the backend database and caches the client data. In this example, it is critical that the client always access the same web server that contains its cached information. In addition, before accessing the web server, the client must login to the site and obtain a unique cookie.

The following transactions occur in Figure 6-3:

- The website administrator of `www.mybank.com` sets up each web server (server 1, server 2, and server 3) to create a cookie that contains unique identifying information about each client.
- The website administrator configures the Px series application switch to use hashed cookie persistence mode.

- The client transmits its first TCP request (A) to www.mybank.com at its publicly-known VIP address, 64.1.1.7.
- The Px series application switch responds (B) on behalf of 64.1.1.7, and the three-way TCP handshake is established between the client and the Px series application switch.
- Using its configured load balancing policy, the Px series application switch selects one of the web servers. In this example, server 1.
- A three-way TCP handshake is established between the Px series application switch (C) and server 1 (D).
- The application switch forwards the first data request (E) from the client to server 1.
- Server 1 sends a cookie to the client (via the application switch) (F). The cookie contains unique identifying information for this client session. For example, the cookie could contain the username:

```
user=samsmith96754
```

- Each subsequent request sent from the client to the website contains the cookie.
- The client sends another data request to the website (via the application switch).
- The application switch examines the cookie and performs a mathematical hash operation on the cookie, rendering a numeric value.  
The selected server may or may not be the same server that provided the client cookie.
- The application switch examines the cookie, performs the same mathematical hash on the cookie, renders the same numeric value each time, and sends each subsequent request from this client to server 3.

## Learned Cookie Persistence Mode

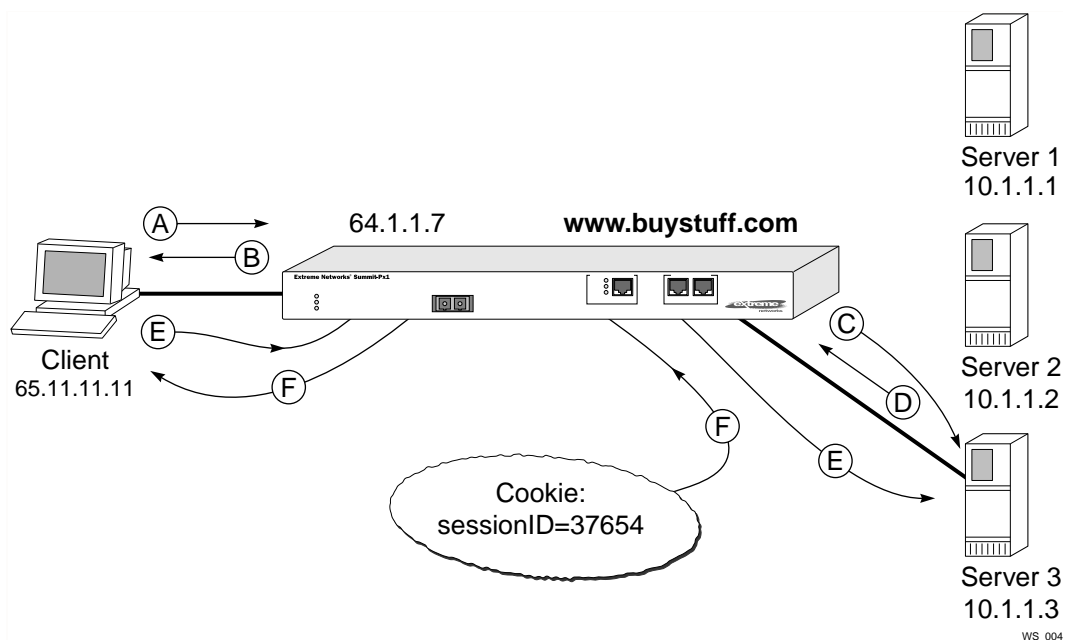
Using learned cookie persistence, the Px series application switch creates a database that stores historical information about each session. The database contains the following information:

- Cookie
- Source IP address
- Destination VIP address
- Real server IP address

The application switch uses the stored information to match the incoming cookie with the previous connection made by the same client.

Unlike self-identifying cookie persistence and hashed cookie persistence, learned cookie persistence does not require the website administrator to make any changes to the website. Learned cookie persistence is a best-effort persistence mode that creates a short-term stickiness between the client and the web server.

Figure 6-4 illustrates learned cookie persistence mode.



**Figure 6-4:** Learned cookie persistence mode

The following transactions occur in Figure 6-4:

- The website administrator configures the Px series application switch to use learned cookie persistence mode, and configures the name of the cookie to be tracked.
- The client at IP address 65.11.11.11 transmits its first TCP request (A) to www.buystuff.com at its publicly-known VIP address, 64.1.1.7.
- The Px series application switch responds (B) on behalf of 64.1.1.7, and the three-way TCP handshake is established between the client and the Px series application switch.
- Using its configured load balancing policy, the Px series application switch selects one of the web server. In this example, server 3 at IP address 10.1.1.3.

- A three-way TCP handshake is established between the Px series application switch and server 3.
- The application switch makes the following entry in its database:

Cookie	Source IP Address	Destination VIP Address	Real Server IP Address
	65.11.11.11	64.1.1.7	10.1.1.3

- The application switch forwards the first data request from the client to server 3 (E).
- Server 3 sends a cookie to the client (via the application switch) (F). The cookie contains randomly generated information that is unique for this client, such as a session identifier:

```
sessionID=37654
```

- The client sends another data request to `www.buystuff.com` (via the application switch).
- The application switch examines the source IP address of the client and looks for a match in the database table.
- The application switch completes the database record by entering the cookie information:

Cookie	Source IP Address	Destination VIP Address	Real Server IP Address
sessionID=37654	65.11.11.11	64.1.1.7	10.1.1.3

- Each subsequent request sent from the client to the website contains the cookie.
- The application switch examines the cookie, looks up the forwarding information in the database, and sends each request from this client to server 3.

Learned cookie persistence mode is based on the assumption that the client IP address will not change between the first and second data requests sent to the website. After the cookie is established and entered in the table, the source IP address of the client is no longer examined, and can change as frequently as required by the ISP.

## Configuring Cookie Stickiness

To configure cookie persistence you must add information to the end of the pattern-rule definition for the default domain. This means that even if no domain or URL switching

is being done, a default domain and pattern rule are still needed. The commands are as follows:

```
config domain default
config pattern-rule default server-group-name <name>
    cookie-name <cookie name> cookie-type [self | hash | learned]
```

Because learned cookie mode uses a database to track users, there is a configurable timer. If a database entry has not been used for the amount of time specified by the timer, the database entry is deleted. To configure the timer, use the following command:

```
config sticky cookie-id timeout HH:MM:SS
```

The timer affects both layer 4 and layer 7. Valid values are in the range 00:00:05 (5 seconds) to 97:43:52. You can specify the value *infinity* to indicate that the stickiness should last forever.

*NOTE: Although you configure it in the default domain, the cookie mode applies to the whole service, not just the default domain.*

## SSL Session Identifier Persistence

Websites that use SSL encrypt all transmitted information in the SSL session except the SSL session identifier. SSL session identifier persistence works in the same way as learned cookie persistence, except it uses the SSL session identifier instead of a cookie to bind the client and server in the session.

Configuring SSL is done on the main line of the service definition, as follows:

```
config service vip <ip address> port <number> protocol tcp L7
    class https
config domain default
config pattern-rule default server-group-name <name>
```

SSL Session ID database entries have a separate timer. If a database entry has not been used for the amount of time specified by the timer, then the database entry is deleted. To configure the timer, use the following command:

```
config sticky session-id timeout HH:MM:SS
```

The timer affects both layer 4 and layer 7. Valid values are in the range 00:00:05 (5 seconds) to 97:43:52. You can specify the value *infinity* to indicate that the stickiness should last forever.

# NAT Modes

Network address translation (NAT) is one of the cornerstones of server load balancing. To balance the load between the various real servers, the server load balancer uses a single IP address, called a virtual IP address, to represent the entire group of servers that make up a website.

When a client request arrives at the virtual IP address, the load balancer must rewrite the destination IP address, so that it can forward the request to a server for processing. Likewise, when the server responds to the request, the server address must also be translated from its own unique address to that of the virtual IP, so that it can be sent back to the user. This process of translating one network address into another is called network address translation (NAT).

## Full-NAT Mode

In full-NAT mode, the server load balancer translates both the source and destination IP addresses—those of the client and the server—before sending the request onto the user. For the point of view of the server fulfilling the request, it appears as though the client making the request is actually the server load balancer.

Advantages of full-NAT mode are:

- No configuration is necessary on the Layer 2/3 switch connected to the application switch.
- It can be deployed in any network architecture.
- Clients can be on the same subnet as the servers.
- It allows interoperation with any vendors switch, regardless of support for policy routing.

You must run in full-NAT mode if:

- Clients and servers are on the same layer 2 network segment.
- The switch connected to the application switch does not support layer 3 policy routing based on source IP address, port, and protocol.
- You do not have access to the layer 3 switch to configure policy based routing.



## Configuring Full-NAT Mode and Proxy IP Addresses

Full-NAT mode is the default behavior of the application switch. If another NAT mode was in use previously, use the following command to set it back to full:

```
config nat-mode full
```

To function properly, the application switch requires that proxy IP addresses be configured. These proxy addresses are used as the source IP addresses for the outbound connection to the server. One proxy address must be configured for each 63,000 sessions active at one time. For full system capacity, you must configure 32 IP addresses.

To set a proxy IP address or a range of proxy addresses, use the following command:

```
config proxy-ip <ip address1> [- <ip address2>]
```

Proxy-ip addresses do not need to be contiguous. You can use multiple commands to specify different ranges of IP addresses to use as proxy addresses. The only restriction is that all addresses must be on the same subnet as the main system IP address.

Do not change the proxy IP while the application switch is running. Boot the application switch for the proxy IP information to take effect.

## Server-only Half-NAT Mode

In half-NAT mode, the application switch only translates the server IP address when dispatching the client requests to the real server. Half-NAT mode results in the server believing that the request came from the client, instead of the application switch. Using half-NAT mode, the server sees the real IP address of the client.

Because the server fulfilling the request believes that the request came directly from the actual client, and not the application switch, the server attempts to respond directly to the client. However, for the connection to be completed appropriately, the application switch needs to see the return traffic so that it can perform reverse NAT on the server portion of the address.

To route the traffic correctly from the server back into the application switch, and back to the client, the layer 3 switch attached to the application switch must support policy-based routing.

Policy-based routing allows layer 3 switches to make next-hop forwarding decisions based on information other than simply the IP destination address of the request. In this case, the next-hop decision must be based on the fact that the source of the request is

that of the real server, and that the TCP source port for the request is the same as the port of the network service that is being load balanced. If a request meets these criteria, it should be sent to the application switch as its next hop.

Advantages of Half-NAT mode are:

- Allows the server logs on the real website to reflect the IP address of the real client making a request, rather than a proxy address of the application switch.
- Allows the use of IP address based security methods such as Unix Netgroups. This is primarily a concern for enterprise data centers.

Half-NAT mode cannot be used if:

- Clients and servers are on the same layer 3 network. Policy-based routing occurs at layer 3 and cannot be applied without crossing a layer 3 network boundary.

## Configuring Half-NAT Mode

Half-NAT mode must be configured on both the application switch and the attached layer 3 switch. To enable half-NAT on the Px series application switch, use the following command:

```
config nat-mode server-only
```

On an Extreme switch, use the following ExtremeWare commands to configure the policy routes required for half-NAT:

```
create source-flow <name> source-ip <server ip> source-port  
<server-port> protocol tcp destination any
```

```
config source-flow <name> next-hop <SLB VIP>
```

These policy rules route all traffic from the load balanced port on the server to the application switch. If other locally-attached networks need to use the facility provided by that port without using the load balancer, more specific rules need to be written to steer traffic directly back to the correct routers.

For example, if users on the segment 10.1.1.0 are connecting to a Web server on 10.1.2.0 without using the server load balancer, you would need another rule group such as the following:

```
create source-flow local-traffic source-ip 10.1.2.0/24 source port 80  
  protocol tcp destination 10.1.1.0/24  
config source-flow local-traffic next-hop 10.1.2.1
```

When you configure half-NAT mode, you can also configure *gateway mode* for the application switch. Gateway mode specifies an IP address that a server's default gateway can forward to, as if the application switch were another router. The application switch can then switch the forwarded traffic to another router, even one on another VLAN.

To enable and configure gateway mode on the application switch, use the following commands:

```
enable gateway-mode
config gateway-mode add ip <ip address> [vlan <vlan tag>]
```

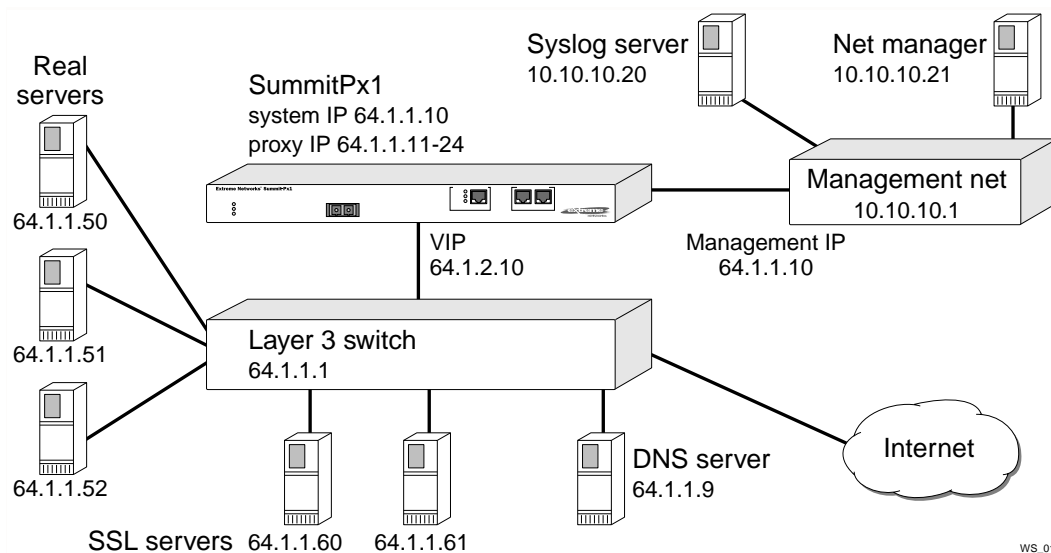
If VLAN tags are enabled, you must specify the VLAN tag for gateway mode.

If gateway mode is enabled, set up a policy rule on the server's default gateway to forward to the gateway-mode IP address of the application switch. For example:

```
config source-flow <name> next-hop <gateway-mode ip>
```

## Configuration Example

In the configuration example, `yourdomain.com` needs to get around the mega proxy problem, but does not have time to rewrite much of their site. Instead, they move to using learned cookies for the main web servers. They also add two SSL servers for secure web transactions, and configure SSL session persistence. Because they want to gather more information about who their users are, they also move to server-only NAT mode.



WS\_017

The commands to configure this network are as follows:

```
#-----
# servers
#-----
config server index 1 ip 64.1.1.50 port 80 max-con 5000 weight 1
config server index 2 ip 64.1.1.51 port 80 max-con 5000 weight 1
config server index 3 ip 64.1.1.52 port 80 max-con 5000 weight 1
config server index 5 ip 64.1.1.60 port 443 max-con 500 weight 1
config server index 6 ip 64.1.1.61 port 443 max-con 500 weight 1
#-----
# server-groups
#-----
config server-group name yourdomain policy rr
config server-group name yourdomain add-server index 1 - 3

config server-group name ecom policy lc
config server-group name ecom add-server index 5 - 6

#-----
# service-table
#-----
config service vip 64.1.2.10 port 80 protocol tcp 17 class http
config domain name default
```

```
config pattern-rule "default" server-group-name yourdomain cookie-name
"session-id" cookie-type learn

config service vip 64.1.2.11 port 443 protocol tcp l7 class https
config domain name default
config pattern-rule "default" server-group-name ecom

#-----
# system configuration
#-----
config system-ip 64.1.1.10 / 24
config default-gateway 64.1.1.1
disable vlan
config mgmt ipaddress 10.10.10.10 / 24 vlan 100
enable vlan
enable syslog
config syslog ip 10.10.10.20
config nat-mode server-only
enable clipaging
disable port gigabit
#-----
# proxy-ip's
#-----
config proxy-ip 64.1.1.11 - 64.1.1.42
#-----
# SNMP configuration
#-----
config snmp sysName "balancer"
config snmp sysLocation "Exodus Colo"
config snmp sysContact "Web Admin"
config add trap receiver 10.10.10.21 "public" 162
config snmp add community readonly "readme"
config snmp add community readwrite "doall"
```





# URL Switching

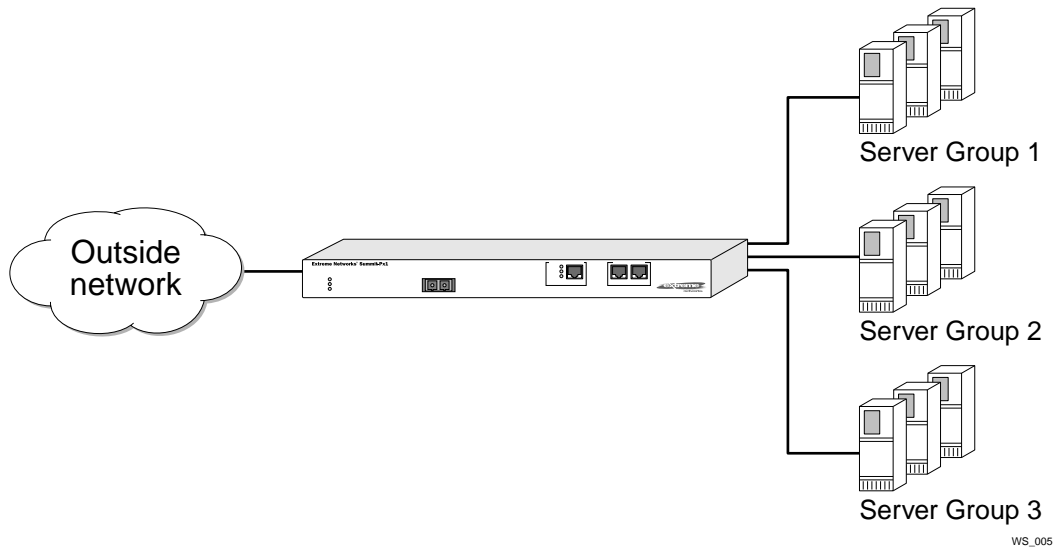
---

This chapter describes how the Px series application switch performs level 7 load balancing, directing client requests to server groups by acting as a proxy and looking inside each request, using domain or URL switching. The chapter covers the following topics:

- Domain and URL Switching on page 7-1
- Configuring URL Switching on page 7-4
- Creating Domain and URL Switching Rules on page 7-8
- Configuration Example on page 7-9

## Domain and URL Switching

In a typical scenario, such as the one shown in Figure 7-1, there are multiple server groups, each serving different content to web users.



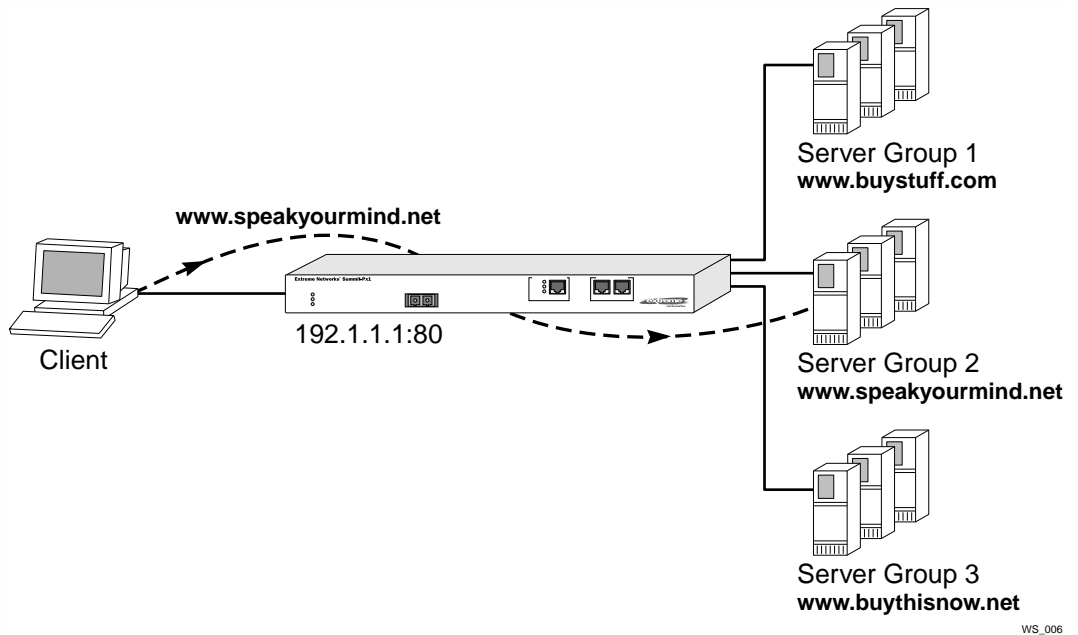
**Figure 7-1:** Typical switching scenario

## Domain Switching

Domain switching uses the requested domain name to select the appropriate server group. For example, in Figure 7-2, there are three server groups:

- `www.buystuff.com`
- `www.speakyourmind.net`
- `www.buythisnow.net`





**Figure 7-2:** Domain switching example

The Px series application switch uses a single VIP, located at 192.1.1.1:80, to service all three domains.

When the client request arrives, the application switch examines the request to determine the domain name being requested. In Figure 7-2, the domain name requested is `www.speakyourmind.net`.

Using domain name switching, the application switch matches the domain name to server group 2. The application switch then uses the configuring server load balancing policy (round robin, weighted round robin, least connections, or weighted least connections) to select a particular server within the server group. The request is then forwarded to the selected server in server group 2.

The following configuration shows the commands used to configure the combination of the three websites. Another server group, `mainpage`, contains a page that allows the user to self-select, just in case the domain specified by the user does not match either of the three. This could happen, for example, if the actual IP address is used instead of a host name.

```
config service vip 10.65.31.202 port 8080 proto tcp l7 class http
```

```
config domain name buystuff.com
config pattern-rule default server-group-name buystuff
config domain name www.buystuff.com
config pattern-rule default server-group-name buystuff
config domain name speakyourmind.com
config pattern-rule default server-group-name speakyourmind
config domain name www.speakyourmind.com
config pattern-rule default server-group-name speakyourmind
config domain name buythisnow.com
config pattern-rule default server-group-name buythisnow
config domain name www.buythisnow.com
config pattern-rule default server-group-name buythisnow
config domain default
config pattern-rule default server-group-name mainpage
```

## URL Switching

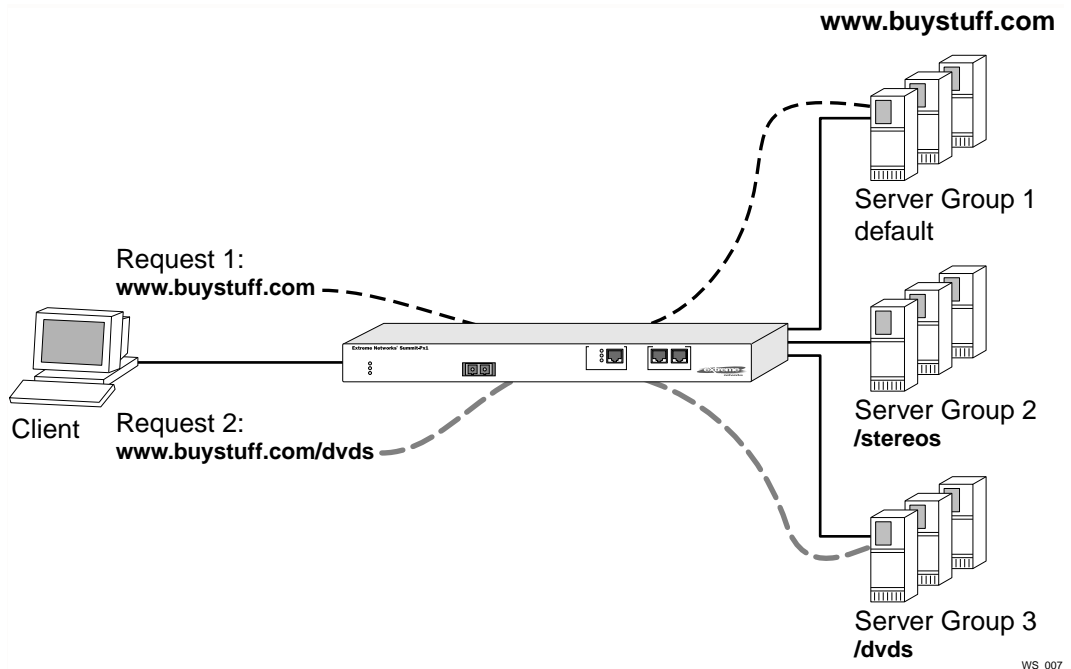
URL switching takes the concept of domain name switching one step further by looking deeper into the request. In addition to examining the domain name, the Px series application switch examines the entire requested URL and matches it against a list of pattern rules. Each of the pattern rules has its own associated server group.

URL switching allows you to control where traffic is sent based on the exact web object a client is requesting. URL switching provides high flexibility and scales to meet your needs. You can add, move, and change resources without changing links or reconfiguring web servers.

## Configuring URL Switching

Using URL switching, you can split your site into multiple groups of servers and add rules to the application switch that directs traffic in the correct direction.

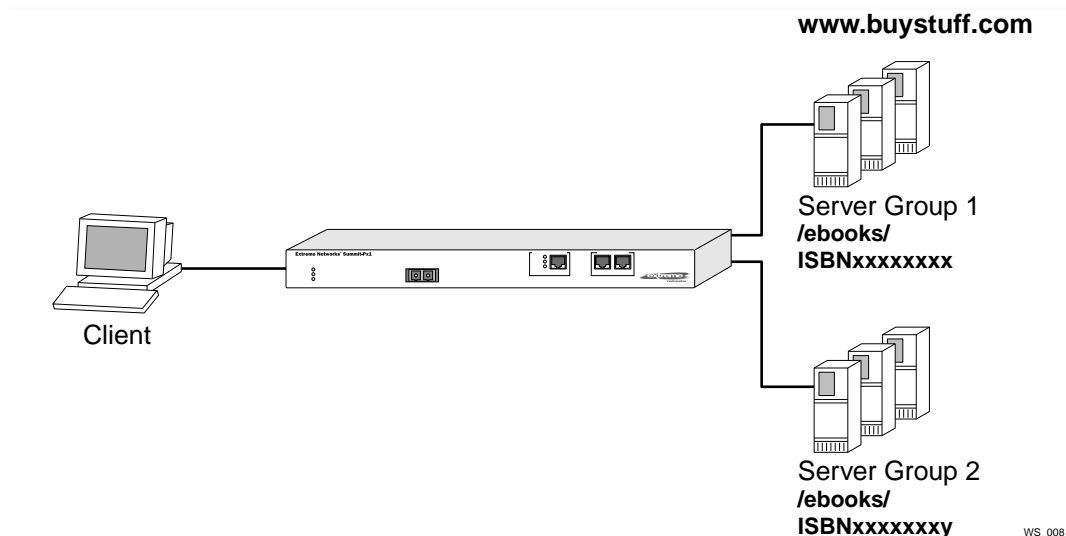
For example, as shown in Figure 7-3, a user might want to visit [www.buystuff.com](http://www.buystuff.com). During the initial visit, the user simply requests [www.buystuff.com](http://www.buystuff.com). This request returns a home page, such as [/index.html](http://www.buystuff.com/index.html). Subsequent clicks made by the user result in requests for pages, such as [www.buystuff.com/stereos](http://www.buystuff.com/stereos) or [www.buystuff.com/dvds](http://www.buystuff.com/dvds).



**Figure 7-3:** Simple URL switching example

By directing each of these unique types of requests to a different pool of servers at the application switch, you have the flexibility to move these resources without changing dozens of links. You can also split out different sections of your website virtually on-the-fly.

The larger the website, the more useful URL switching becomes. Figure 7-4 shows a more complicated example.



**Figure 7-4:** More Complicated URL switching example

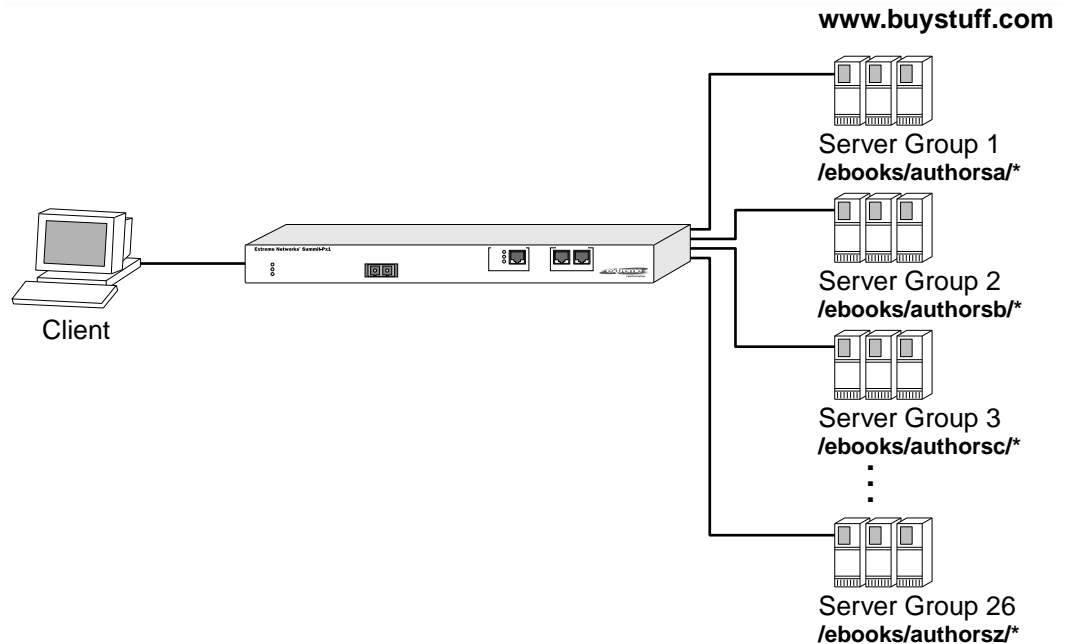
In Figure 7-4, *buystuff.com* decides to start selling electronic books online and they need to store an entire publisher’s catalog on the site. Terabytes of storage are needed, along with a flexible way of addressing all of the information. By using URL switching, a highly scalable approach can be used. Expanding the website is as simple as loading content onto servers and adding URL rules to the switch. In Figure 7-4, user requests are directed as follows:

- *www.buystuff.com/ebooks/ISBNXXXXXXXX* is directed to server group 1.
- *www.buystuff.com/ebooks/ISBNXXXXXXXX* is directed to server group 2.

In fact, a unique rule could be used for each book in the catalog, with little danger of exhausting the rules list. This approach simplifies the design of the website in many ways:

- The need to track the location of the data is eliminated.
- The choice of where to store a book can be completely arbitrary.
- Content can be moved from one server to another quickly, without updating the application server or any static web page links.

Alternatively, *buystuff.com* could use a more hierarchical approach to sorting content and creating pattern rules, as shown in Figure 7-5.



WS\_009

**Figure 7-5:** Hierarchical approach to pattern rules

In Figure 7-5, the pattern rules direct user requests as follows:

- `www.buystuff.com/ebooks/authorsa/*` are directed to server group 1
- `www.buystuff.com/ebooks/authorsb/*` are directed to server group 2
- `www.buystuff.com/ebooks/authorsc/*` are directed to server group 3

and so on.

This hierarchical approach has most of the advantages of the first approach, and is also well-suited to unindexed, browsable, static content. All of the content can be browsed using a simple CGI or ASP script that inspects the file system and creates links, as appropriate.

The following commands show the configuration for ebooks, using the hierarchal method.

```
config service vip 10.65.31.201 port 8080 proto tcp l7 class http
```

```

config domain name www.ebooks.com
config pattern-rule "authorsa" server-group-name authorsa
config pattern-rule "authorsb" server-group-name authorsb
config pattern-rule "authorsc" server-group-name authorsc
config pattern-rule default server-group-name mainpage
config domain name ebooks.com
config pattern-rule "authorsa" server-group-name authorsa
config pattern-rule "authorsb" server-group-name authorsb
config pattern-rule "authorsc" server-group-name authorsc
config pattern-rule default server-group-name mainpage
config domain default
config pattern-rule default server-group-name mainpage

```

## Creating Domain and URL Switching Rules

To simplify the creation of pattern rules, you can use wildcard combinations. The allowable wildcards are described in Table 7-1.

**Table 7-1:** Wildcard Combinations

Wildcard	Example	Definition
/exact-match/	/authors/	Match the entry exactly.
/end-wild/*	/authors*/	Match any ending wildcard.
/middle*/wildcard/	/authors*/cookbooks/	Match an imbedded wildcard, but exact entry following the wildcard.
/*.extension	/*.gif/	Match any entry with the listed extension.
/entry.*	/index.*/	Match any entry with the listed filename and a wildcard extension.

Every layer 7 rule needs a default domain, which can contain only a default pattern-rule. This rule is used to decide where to forward traffic in the event that none of the configured rules match.

You can use a wildcard for the domain when the format of the domain is unknown or unimportant. For example, the following configuration is for HTTP services with an unknown domain format:

```

config service vip 10.65.101.20 port 80 protocol tcp l7 class http
config domain name *
config pattern-rule default server-group-name sg2

```

The wildcard (\*) in the second line refers any request with an unspecified domain name (any request in which the domain name is not present in the HTTP header) to the default server group `sg2`.



*The application switch reads the HTTP header to determine the domain name format. You cannot configure HTTPS in this way because the header is encrypted and not visible to the application switch.*

## Modifying Existing URL Rules and Domains

After a set of domains and pattern rules are put in place, they can be modified or deleted at any time. Because they are context dependent, you must ensure that you are in the correct context before modifying the rules.

To configure a domain, for example, you must first enter the virtual service that you want to modify using the following command:

```
config service vip 10.65.31.201 port 8080 proto tcp l7 class http
```

Then you can add new domains, or delete an existing one:

```
unconfig domain name ebooks.com
```

If you want to modify another domain inside of the same service, first go into the domain:

```
config domain name www.ebooks.com
```

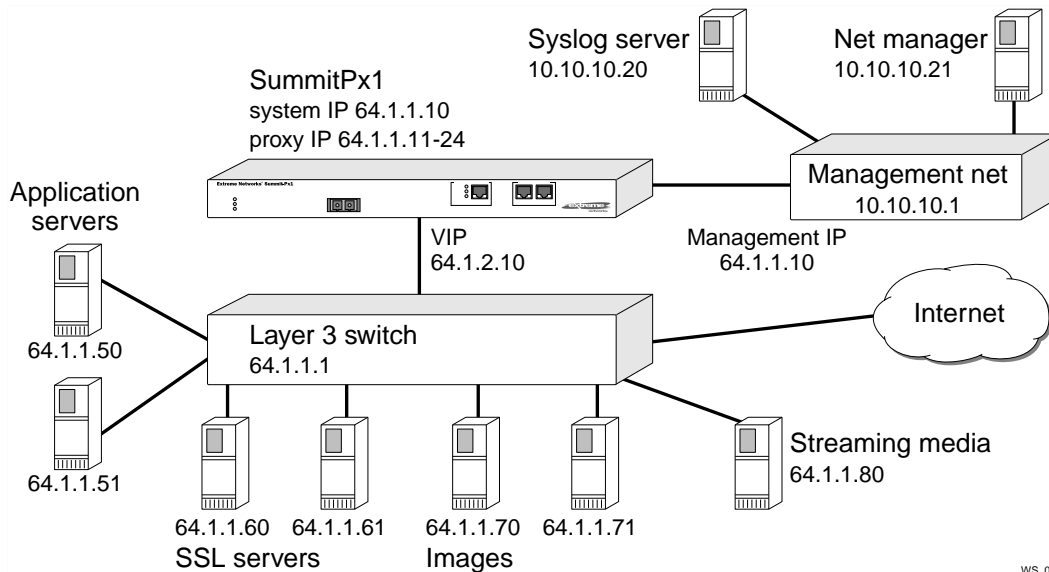
Then, add or delete pattern rules:

```
config pattern-rule "comics" server-group-name comics
unconfig pattern-rule "authorsc" server-group-name authorsc
```

## Configuration Example

The following configuration example expands on the examples in Chapter 5 and Chapter 6. The site `yourdomain` has grown once again by using URL switching to off-load delivery of static images and streaming media from their main servers. One of the servers is redeployed as a media server.

To use cookies and URLs together, they modify the cookie so that it only applies to part of their site, and they move all the images from that part of the site.



WS\_018

The commands to configure this example are as follows:

```

#-----
# servers
#-----
config server index 1 ip 64.1.1.50 port 80 max-con 5000 weight 1
config server index 2 ip 64.1.1.51 port 80 max-con 5000 weight 1
config server index 5 ip 64.1.1.60 port 443 max-con 500 weight 1
config server index 6 ip 64.1.1.61 port 443 max-con 500 weight 1
config server index 10 ip 64.1.1.70 port 80 max-con 5000 weight 1
config server index 11 ip 64.1.1.71 port 80 max-con 5000 weight 1
config server index 20 ip 64.1.1.80 port 80 max-con 5000 weight 1
#
#
#-----
# server-groups
#-----
config server-group name appserv policy rr
config server-group name appserv add-server index 1 - 2

config server-group name ecom policy lc
config server-group name ecom add-server index 5 - 6

```



```

config server-group name images policy rr
config server-group name images add-server index 10 - 11

config server-group name media policy rr
config server-group name media add-server index 20
#
#
#-----
# service-table
#-----
config service vip 64.1.2.10 port 80 protocol tcp 17 class http
config pattern-rule "*.gif" server-group-name images
config pattern-rule "*.jpg" server-group-name images
config pattern-rule "*.mov" server-group-name media
config pattern-rule "*.mp3" server-group-name media
config domain name default
config pattern-rule "default" server-group-name yourdomain cookie-name
"session-id" cookie-type learn

config service vip 64.1.2.11 port 443 protocol tcp 17 class https
config domain name default
config pattern-rule "default" server-group-name ecom

#-----
# system configuration
#-----
config system-ip 64.1.1.10 / 24
config default-gateway 64.1.1.1
disable vlan
config mgmt ipaddress 10.10.10.10 / 24 vlan 100
enable vlan
enable syslog
config syslog ip 10.10.10.20
config nat-mode server-only
enable clipaging
disable port gigabit
#-----
# proxy-ip's
#-----
config proxy-ip 64.1.1.11 - 64.1.1.42
#-----
# SNMP configuration
#-----

```

```
config snmp sysName "balancer"  
config snmp sysLocation "Exodus Colo"  
config snmp sysContact "Web Admin"  
config add trap receiver 10.10.10.21 "public" 162  
config snmp add community readonly "readme"  
config snmp add community readwrite "doall"
```

# 8

## Configuring Redundancy

---

This chapter describes how to configure redundancy for the Px series application switch. For the SummitPx1, you use the industry standard VRRP. For the PxM, you use the Extreme Standby Router Protocol (ESRP).

The chapter contains the following sections:

- Using VRRP with the SummitPx1 on page 8-1
- Configuring Redundancy for the PxM on page 8-6
- Configuring a Default Gateway on page 8-8

### Using VRRP with the SummitPx1

To reduce downtime, the SummitPx1 supports the deployment of redundant systems using VRRP, an industry standard failover mechanism (RFC 2338). In the event of the failure of the primary active system, the secondary system automatically takes over for the failed system.

VRRP uses a “phantom MAC” address at layer 2, which is negotiated using an election protocol. After one of the application switches is elected “active,” the application switches exchange keep-alive messages to ensure that the active system remains up. If the redundant system loses connectivity for 3 seconds, the redundant system assumes the active system is dead and it assumes traffic-forwarding duties. It promiscuously sends ARP responses to poison the layer 2 forwarding information for the previously active system and begin accepting traffic for the phantom MAC.

The only difference between a traditional VRRP implementation and the Px series application switch implementation is that instead of using the VRRP MAC address for a single layer 3 router address, the Px series application switch uses the VRRP MAC address for *all* VIPs configured in the system. Whenever the VRRP state changes, all VIPs either start accepting traffic and making forwarding decisions, or stop doing so.

For VRRP to work, there must be a layer 2 adjacency between the application switches. Each of the VLANs that are configured on the primary Px series application switch and its adjacent layer 3 switch must be configured on the standby Px series application switch and standby layer 3 switch. Additionally, depending on the configuration of the application switch, the layer 3 switch needs some special configuration. This manual assumes the layer 3 switch is running ExtremeWare.

Before configuring VRRP, make the following decisions:

- Select which system should initially be primary and which should be secondary. Configure the secondary switch with a lower priority.
- Assign a virtual router ID (VRID), which must be the same on both systems. If VRRP is being used by other devices on the same network, it is important to make sure that the VRID is unique.
- Set a priority for each application switch.
- Decide whether to preempt or not preempt. If a transition occurs because the primary (highest priority) device goes down, do you want it to take over from the standby when it comes back up? This can cause unneeded network interruptions.

## Adding and Configuring VRRPs

The highest priority device is selected as the primary. Priorities are in the range 1-255, with a default priority of 100. You can change the priorities of a VRRP to trigger failover. To set VRRP priority on the system, use the following command:

```
config vrrp vrid <number> priority <number>
```

To configure a VRRP to be the initial primary, use the following commands:

```
config vrrp add vrid <number>
config vrrp vrid <number> priority 255
enable vrrp
build
```

Give backup systems lower priorities:

```

config vrrp add vrid <number>
config vrrp vrid <number> priority 100
enable vrrp
build

```

To set VRRP to preempt whenever it has a higher priority than the active system, or to prevent it from preempting, use this command:

```

config vrrp vrid <number> preempt|dont-preempt

```

You can also set the frequency of advertisement intervals, using this command:

```

config vrrp vrid <number> advertisement-interval <number of seconds>

```

## Using VRRP in Existing Redundant Networks

The VRRP implementation for the Px series application switch is designed to interoperate with any existing layer 2 and layer 3 redundancy protocols. Therefore, it works in environments where Spanning Tree is being used for layer 2 redundancy, or where VRRP or HSRP is being used for the layer 3 redundancy without problems.

Because the ESRP protocol in ExtremeWare is a custom layer 2 and 3 hybrid redundancy protocol, a few extra configuration details must be configured in the connected switches.

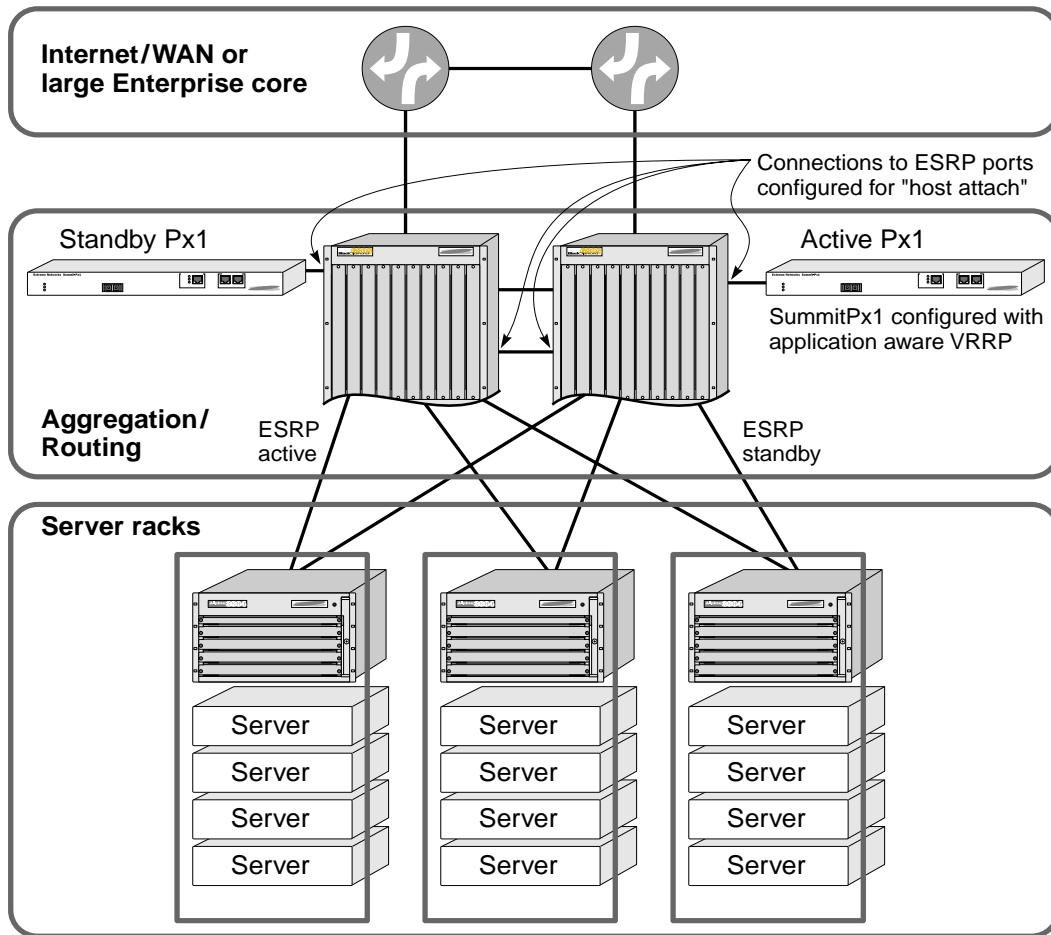
By default, the ESRP switch that is in standby does not forward traffic at layer 2 or layer 3 on “host” ports that are not tagged for 802.1q. Because the active application switch could be connected to a standby ESRP switch, you must put the port that attaches to it in the ESRP host-attach mode. In this mode, the port will continue to forward layer 2 traffic, ensuring that the Px series application switch can do its job. To configure host-attach mode, use the following command:

```

config esrp port-mode host ports <port list>

```

Figure 8-1 shows an example of active and standby systems with multiple VLANs, where ESRP is configured on the attached BlackDiamond switch.



WS\_019

**Figure 8-1:** Application switch using multiple VLANs.

For more information on configuring ESRP, see the *ExtremeWare Software User Guide*.

## VRRP Automatic Synchronization

VRRP automatic synchronization (auto-sync) does two things:

- Synchronizes a master VRRP to its backup by sending a set of configuration commands from the master to the backup, replacing the corresponding commands

on the backup. After all the commands have been replaced, the configuration is saved and the box rebooted.

- Sends individual configuration commands from the master to the backup, where they are stored in local memory until a `build` command is issued on the master. The backup then executes the stored commands in sequence and issues its own `build`. The backup does *not* save the result. If you do not save it before the next boot, the configuration is lost.

To determine if the configurations of the master and backup match, use the command:

```
show vrrp auto-sync
```

This displays the current state of synchronization. For example:

```
Auto-sync:                Enabled
Master Partner IP:       Not Configured    N/A
Backup Partner IP:       10.65.4.250      Connected
-----
MD5 (local config):      c409f49b-911bca82-e5dc5fea-9cc0219c
MD5 (Master config):
MD5 (Backup config):     c409f49b-911bca82-e5dc5fea-9cc0219c
```

The following commands can be passed from master to backup:

```
configure server
configure server-group
configure service
configure domain
configure pattern-rule
unconfigure server
unconfigure server-group
unconfigure service
unconfigure domain
unconfigure pattern-rule
build
```

Use the following commands to control the VRRP auto-sync facility:

```
enable vrrp auto-sync
disable vrrp auto-sync
show vrrp auto-sync
configure vrrp auto-sync forcesync
configure vrrp auto-sync backup partner-ip <ip>
configure vrrp auto-sync master partner-ip <ip>
```

# Configuring Redundancy for the PxM

You must use the the Extreme Standby Router Protocol (ESRP) to configure redundancy for the PxM. See “Using ESRP with the PxM” below.

If you have multiple VLANs for the PxM, you must designate one VLAN as a master, and make all other VLANs domain members of the master VLAN. You can then configure ESRP for the master VLAN. See “Configuring the PxM for Multiple VLANs” on page 8-7.

## Using ESRP with the PxM

The Extreme Standby Router Protocol (ESRP) is described in the *ExtremeWare Software User Guide*. The PxM does not run ESRP directly, but participates in the ESRP diagnostic tracking, as long as only one VLAN is configured, or all VLANs are domain members of a single master VLAN. See “Configuring the PxM for Multiple VLANs” on page 8-7.

When ESRP is enabled on the BlackDiamond, one of the factors in the selection of an ESRP master is the presence or absence of the heartbeat signal from the PxM to the MSM. If there is an FPGA fatal error, or if the PHY link fails, the PxM stops sending the heartbeat signal, and the ESRP reassigns its priority level.

For example, suppose the two BlackDiamond systems, A and B, each have PxM. You enable ESRP with a single VLAN, and set the priority to 1 for both switches:

```
enable esrp vlan "myVLAN"  
config vlan "myVLAN" esrp priority 1
```

To enable diagnostic tracking on both switches, use the following command:

```
config vlan "myVLAN" add track-diagnostic failover 0
```

If the PxM is configured with multiple VLANs, you must make them all domain members of a master VLAN, then enable ESRP for the master VLAN. See “Configuring the PxM for Multiple VLANs” on page 8-7.

When a switch’s heartbeat signal fails, the `failover` argument (0) becomes the new priority value for that switch.

When both switches are working and have the same priority, the ESRP selects one (say A) to be the master, based on other factors. When A fails, its heartbeat signal stops. Diagnostic tracking detects this, and changes the ESRP priority of switch A to 0.



Because the ESRP priority of A is now lower than that of B, A becomes the slave, and B becomes the master.

## Configuring the PxM for Multiple VLANs

When the PxM has multiple VLANs, if you intend to set up redundancy using ESRP, you must make all of the VLANs domain members of a master VLAN, using the following ExtremeWare command:

```
config vlan <master vlan tag> add domain-member <other vlan tag>
```

You can then configure ESRP for the master VLAN as if it were the only VLAN. See “Using ESRP with the PxM” on page 8-6.

The following example ExtremeWare script sets up several VLANs as domain members of a master VLAN, and configures ESRP for two redundant BlackDiamond systems (SW1 and SW2) containing PxM modules.

```
# create VLANs, designating one as the master
create vlan v1
create vlan v2
create vlan v3
create vlan master

# configure VLAN tags
config v1 tag 280
config v2 tag 281
config v3 tag 282
config master tag 100

# configure VLAN IP addresses
config v1 ipa 10.65.28.2/26 FOR SW1
config v1 ipa 10.65.28.3/26 FOR SW2
config v2 ipa 10.65.28.65/26
config v3 ipa 10.65.28.129/26

# configure VLAN ports
config v1 add port 7
config v2 add port 1,8 tag
config v3 add port 1,8 tag
config master add port 8 tag
```

```
# configure ESRP, with additional VLANs under master VLAN
config esrp port-mode host ports 1
config esrp port-mode host ports 8
config vlan "master" add domain-member v2
config vlan "master" add domain-member v3
enable esrp vlan master
```

## Configuring a Default Gateway

The Px series application switch supports two gateways. If the primary default gateway (router) fails, the application switch will change to a second gateway

- To add a default gateway use the following command:

```
config default-gateway add <ip>
```

- To delete a default gateway use the following command:

```
config default-gateway delete <ip>
```

- To switch between default gateways use the following command:

```
config default-gateway switch
```

# 9

## Health Checks

---

This chapter describes health checks you can use to ensure that a given application is running on a real server before sending user requests to that server. The chapter contains the following sections:

- Overview on page 9-1
- Health Checking Procedure on page 9-3
- Configuring Health Checks on page 9-4

### Overview

Because each application works differently, the application switch supports the following types of health checks:

- **ICMP Ping**— Ensures that the host is reachable. In general, this does not provide any information about application health, but provides the simplest check.
- **TCP Open** —Opens a connection to a specified TCP/IP port. Optionally, the application switch can compare the response sent upon open to a preconfigured string to further ensure that the application responded correctly.
- **HTTP GET** — Sends an actual “HTTP GET” request to the server. Optionally, the application switch can compare the response sent upon open to a preconfigured string to further ensure that the application responded correctly.

## Server Startup Pacing

In order not to overload a server that has just come up, *server startup pacing* restricts the number of connections that the server can process. Startup pacing is performed when health checks bring a server back online, or when a server is enabled, if health checking is disabled for that server's server group. Server startup pacing is enabled by default. To enable and disable it, use the following commands:

```
enable server-startup-pacing
disable server-startup-pacing
```

The number of connections over time for a particular server are calculated from an *initial maximum* number of connections, and an *interval*.

- To set the global initial maximum, use the following command:

```
config server-startup-pacing initial-limit <number of connections>
```

The initial maximum defaults to 5 connections.

- To set the global interval, use the following command:

```
config server-startup-pacing interval <seconds>
```

The interval defaults to 5 seconds.

When a server is brought up, connections are limited to the initial maximum number. After the number of seconds configured for the interval, the maximum number of connections allowed is doubled. It is doubled after each interval, until it reaches the configured maximum for that server, as specified by the `max-connections` argument to `config server`. See “Configuring Real Servers” on page 5-1.

For example, using the default values, the connections are limited to 5 when the server first comes up. After the first five seconds, the number of allowed connections is 10, after the next 5 seconds, 20, then 40, and so on, until the number reaches the server's `maximum-connections` value.

# Health Checking Procedure

You configure health checks for each server group. All the members of a given server group have the same health check performed on them. The health check process uses the following procedure:

- 1 As soon as a server is enabled or the system comes up, a health check is performed on the server. If it passes, the server goes up immediately
- 2 Health checks are performed at the configured `interval`.
  - If a health check fails, it is retried at approximate intervals specified by `retry-interval`, until it has failed `fail-after` times. Then the server is removed from service.
  - If the server passes a health check, it is retried at intervals specified by `retry-interval`, until it passes `restore-after` times.

By default, `interval` is 30 seconds, `retry-interval` is 10 seconds, `fail-after` is 2 seconds, and `restore-after` is 2 seconds. You can change these default timer settings locally on an individual server, or globally. If you set them globally, the timers are modified on all hosts that use the default settings.

If health checks are enabled but not specifically configured, the default check is `ping`, with the default timer values. If the CPU is swamped by too many health checks or other tasks, the times may stretch.

The TCP and HTTP health checks open a connection to the port configured for each server in the server group. For HTTP health checks, you must specify the name of the object to retrieve and a string to match, which must be a substring of the returned page.

After the connection is opened, the health check requests the specified object. If the object is returned, the health check checks the first 1000 bytes of returned text to see if it contains the string. If the string is found, the application is up and functioning. Otherwise, the server fails the health check. If the server has failed too many times, it is removed from the server group.

If you do not specify an object to retrieve, the health check does a “`head /`”. If anything is returned, the check passes.

All data requests use HTTP 1.0.

# Configuring Health Checks

Before health checks can be configured, make sure that the server group that they will apply to has been created. See Chapter 5 for information on configuring server groups.

## Types of Health Checks

Only the highest protocol health check is done for a server group. For example, if TCP open is configured, the ping health check is not done. Similarly, if an HTTP check is being done, no TCP open or ping check is done.

To configure ping checks, use the following command:

```
config server-group name sgl health-check ping
```

For TCP open checks, use the following command:

```
config server-group name sgl health-check tcp-open
```

To check for a return code, add the following command:

```
config server-group name sgl health-check tcp-open return "HELLO"
```

HTTP health checks are configured in a similar manner. To do a “head /” on the server, simply configure the following:

```
configure server-group name extr health-check http
```

To request a certain object, use the following command:

```
config server-group name sgl health-check http object index.html
```

To ensure that object contains the specified string, use the following command:

```
config server-group name sgl health-check object index.html return  
"Welcome"
```

## Timers and Counters

To configure the global timers for health check, use the following commands:

```
config health-check interval <number of seconds>  
config health-check retry-interval <number of seconds>
```

```
config health-check fail-after <number>
config health-check restore-after <number>
```

**You can also configure local timeout values for a server group, which take precedence over the global settings. Use the following commands:**

```
config server-group <name> health-check interval <number of seconds>
config server-group <name> health-check retry-interval <number of
seconds>
config server-group <name> health-check fail-after <number>
config server-group <name> health-check restore-after <number>
```

**You can disable health checks for a server group:**

```
disable health-check server-group-name <name>
```





# 10

## Monitoring the Switch

---

This chapter describes tools that are available for monitoring the health of the system and the traffic that is passing through it. The application switch tracks things such as the number of connections open and closed, the number of requests for particular pattern-rules, and other valuable information. This chapter contains the following sections:

- Showing Traffic Statistics on page 10-1
- Showing Configuration Details on page 10-3
- Managing and Troubleshooting Operation on page 10-7

### Showing Traffic Statistics

Table 10-1 lists the commands that are used to display traffic statistics.

**Table 10-1:** Statistics Display Commands

Command	Description
<code>pxtop</code>	Displays connection counts per service.
<code>show connections</code>	Displays the current and total number of connections processed by the application switch.
<code>show port gigabit [config   details   utilization]</code>	Displays packet-level counters for the interfaces, along with the current status of each.

**Table 10-1: Statistics Display Commands (continued)**

Command	Description
<code>show port mgmt [config   details]</code>	Displays packet-level counters for the interfaces, along with the current status of each.
<code>show server [&lt;index&gt;   &lt;ipaddress&gt;]</code>	Displays the current, max, and total connections for an individual server. Also displays the status of the server.
<code>show server [config   details   summary]</code>	Displays: <ul style="list-style-type: none"><li>■ configuration commands</li><li>■ detailed information such as current, total, and peak connections</li><li>■ a summary of information such as total number of services</li></ul>
<code>show server-group &lt;name&gt;</code>	Displays the policy and TCP port, along with all servers, the current connections for each, and up/down status.
<code>show server-group [config   details   summary]</code>	Displays: <ul style="list-style-type: none"><li>■ configuration commands</li><li>■ detailed information such as current, total, and peak connections</li><li>■ a summary of information such as total number of services</li></ul>
<code>show service ipaddress &lt;ipaddress&gt;</code>	Displays the statistics for the virtual service, including current, max, and total connections to the VIP for layer 4, and all members of the server group associated with the VIP and their current statistics.  Layer 7 services also include current, max, and total for each URL pattern rule associated with the VIP. This gives dramatic insight into the distribution of traffic across the site.
<code>show service [config   details   summary]</code>	Displays: <ul style="list-style-type: none"><li>■ configuration commands</li><li>■ detailed information such as current, total, and peak connections</li><li>■ a summary of information such as total number of services</li></ul>

# Showing Configuration Details

Table 10-2 lists the commands that are used to display configuration information.

**Table 10-2:** Configuration Display Commands

Command	Description
<code>show banner</code>	Displays the current startup banner message.
<code>show config</code>	Displays the complete configuration to the screen.
<code>show cookie</code>	Displays the current status of cookie processing. It is disabled if no cookie processing is configured.
<code>show default-gateway</code>	Displays the default gateway IP address for the Gigabit Ethernet interface.
<code>show dns-client</code>	Displays the domain name service (DNS) default domain and the DNS server.
<code>show gatewaymode [config]</code>	Displays the current gateway mode.
<code>show gslb [config]</code>	Displays the activities of the GlobalPx Content Director agent.
<code>show healthcheck [config   down   summary   details   verbose]</code>	Displays the current health check configuration.
<code>show iparp</code>	Displays the current layer 2 ARP table entries.
<code>show iproute</code>	Displays the layer 3 forwarding database.
<code>show natmode config</code>	Displays the currently configured NAT mode.
<code>show proxy-ip</code>	Displays the currently configured proxy IP addresses.
<code>show snmp</code>	Displays the current SNMP configuration.
<code>show sticky [config]</code>	Displays which stickiness modes have been configured, and the configured timer values.
<code>show switch</code>	Displays the current version of software loaded in primary and secondary flash, MAC addresses, and other useful information.
<code>show system-ip</code>	Displays the IP address of the Gigabit Ethernet interface, along with its netmask.
<code>show timeout</code>	Displays the TCP/IP timer settings.
<code>show vlan</code>	Displays if VLAN support is enabled or not.
<code>show vrrp [details   autosync   config]</code>	Displays the current state of VRRP, including who is the master and what the priorities are of each system.

## Configuration Displays

The following example illustrates the output from the `show configuration` command:

```
* SummitPx1:25 # sh config
#####
# SummitPx1 Configuration
# Software Version 1.1.0b8 (FPGA:511 by build 03/21/02 01:09:31)
#####
#-----
# servers
#-----
config server default max-connections 10000
config server default weight 1
config server slow-start initial-connections 5
config server slow-start interval 5
disable server slow-start
config server index 1 ip 10.65.8.50 port 8080
config server index 2 ip 10.65.8.51 port 8080
config server index 40 ip 10.65.8.52 port 80
config server index 41 ip 10.65.8.53 port 80
#-----
# server-groups
#-----
config server-group name web1_layer4 policy rr server-last-resort
index 1
config server-group name web1_layer4 add-server index 1 - 2
config server-group name web2_layer7 policy rr server-last-resort
index 40
config server-group name web2_layer7 add-server index 40 - 41
#-----
# service-table
#-----
config service vip 10.65.36.21 port 2000 protocol tcp 14
server-group-name web1_layer4

config service vip 10.65.36.22 port 3000 protocol tcp 17 class http
config domain name default
config pattern-rule "default" server-group-name sg0
config domain name mydomain.com
config pattern-rule "default" server-group-name web2_layer7
```

## Status Displays

The `show health` and `show server details` commands display similar (but not identical) information. The following examples illustrate the output from these commands (for the configuration shown in the example on page 10-4).

```
* SummitPx1:26 # show health
Healthcheck is currently enabled
default interval 30 sec, retry interval 10 sec, arp interval 5 min
default fail after 2, restore after 2
15/15 ping rx/tx
  4 UP    4 *UP
flags: E - check Enabled, D - check Disabled, R - mac is resolved
ra - restore after, fa - fail after, left - secs till next check
index IP          port proto state check left run ra fa ups flg
1      10.65.8.50      ICMP UP    IDLE  2    2    2  2  2  RE
1      0.65.8.50  8080 ICMP *UP   IDLE  6    0    2  2  0  RE
2      10.65.8.51      ICMP UP    IDLE  33   2    2  2  2  RE
2      10.65.8.51  8080 ICMP *UP   IDLE  16   0    2  2  0  RE
40     10.65.8.52      ICMP UP    IDLE  19   2    2  2  2  RE
40     10.65.8.52  80    ICMP *UP   IDLE  39   0    2  2  0  RE
41     10.65.8.53      ICMP UP    IDLE  16   2    2  2  2  RE
41     10.65.8.53  80    ICMP *UP   IDLE  7    0    2  2  0  RE
```

```
* SummitPx1:28 # show server details
flags: E - check Enabled, D - down, U - Up, R - mac is resolved,
N - mac is not resolved, F - forced down
run - '>' than or '<' than 0, number of consecutive passed or failed
respectively
ra - restore after, fa - fail after, left - secs till next check
index IP          port proto flg curr-conns max-connections run ra fa
1      10.65.8.50      ICMP URE  0          10000          2  2  2
1      10.65.8.50  8080 ICMP  RE          0  2  2
2      10.65.8.51      ICMP URE  0          10000          2  2  2
2      10.65.8.51  8080 ICMP  RE          0  2  2
40     10.65.8.52      ICMP URE  0          10000          2  2  2
40     10.65.8.52  80    ICMP  RE          0  2  2
41     10.65.8.53      ICMP URE  0          10000          2  2  2
41     10.65.8.53  80    ICMP  RE          0  2  2
```

The following tables describe the columns and their values.

**Table 10-3:** `show health` Information

Column	Description
<code>index</code>	The index number of the server or service.
<code>IP</code>	The IP address of the server or service.
<code>port</code>	The port for a virtual service. For servers, no value is shown.
<code>proto</code>	The protocol in use on the server or service.
<code>state</code>	The current state of the server or service, UP or DOWN. For a service, the value is preceded by an asterisk (*), and the value indicates whether the service is running.
<code>check</code>	What the check is currently doing. <ul style="list-style-type: none"> <li>■ SYN-SENT (TCP and HTTP health checks)</li> <li>■ REQ-SENT (applies to TCP and HTTP health checks)</li> <li>■ IDLE</li> <li>■ PINGING (ping sent, waiting for response)</li> </ul>
<code>left</code>	The number of seconds left until the next health check.
<code>run</code>	When positive, the number of consecutive check passes, up to the restore-after value. When negative, the number of consecutive check failures, up to the fail-after value.
<code>ra</code>	The configured restore-after value.
<code>fa</code>	The configured fail-after value.
<code>ups</code>	The number of state changes since power-on.
<code>flg</code>	The configured flags. <ul style="list-style-type: none"> <li>■ E = checks enabled</li> <li>■ D = checks disabled</li> <li>■ R = MAC address of server is resolved.</li> </ul>

**Table 10-4:** `show server details` Information

Column	Description
<code>index</code>	The index number of the server or service.
<code>IP</code>	The IP address of the server or service.
<code>port</code>	The port for a virtual service. For servers, no value is shown.
<code>proto</code>	The protocol in use on the server or service.

**Table 10-4:** `show server details` Information

Column	Description
<code>flg</code>	The configured flags for the server or service. <ul style="list-style-type: none"> <li>■ E = checks enabled</li> <li>■ D = down</li> <li>■ U = up</li> <li>■ R = MAC address of server is resolved</li> <li>■ N = MAC address of server is not resolved</li> <li>■ F = forced down</li> </ul>
<code>curr-cons</code>	The current number of connections for the server. Not shown for virtual services.
<code>max-connections</code>	The configured maximum number of connections for the server. Not shown for virtual services.
<code>run</code>	When positive, the number of consecutive check passes, up to the restore-after value. When negative, the number of consecutive check failures, up to the fail-after value.
<code>ra</code>	The configured restore-after value.
<code>fa</code>	The configured fail-after value.

## Managing and Troubleshooting Operation

Table 10-5 lists the commands that are used to display management and troubleshooting information.

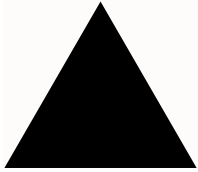
**Table 10-5:** Management and Troubleshooting Commands

Command	Description
<code>show errors</code>	Displays any system-level errors that have been detected.
<code>show syslog</code>	Displays the contents of the system log.

**Table 10-5:** Management and Troubleshooting Commands

Command	Description
show log <level>	Displays the contents of the switch log. Level values are: <ul style="list-style-type: none"><li data-bbox="362 322 772 347">■ a (errors): displays error messages</li><li data-bbox="362 362 748 387">■ b (fatal): displays fatal messages</li><li data-bbox="362 402 839 427">■ c (info): displays informational messages.</li><li data-bbox="362 442 825 466">■ d (warning): displays warning messages</li></ul>





# Index

---

## A

accounts	
administrator	4-5
creating	4-6
default password	4-5
deleting	4-6
user	4-4
viewing	4-6
administrator accounts	4-5
automatic synchronization for VRRP	8-4
AUX port	2-2

---

## C

class of application for VIP	5-4
client IP persistence mode	6-3
clients	1-3
command	
history	4-4
syntax, understanding	4-2
command-line interface	
command history	4-4
deferred execution	4-2
line-editing keys	4-3
symbols	4-2
syntax helper	4-2
using	4-2
community strings	4-10
configuring the system	2-6
connecting to console server	2-2
connectivity, verifying	4-15
console port	
connecting to	2-6
description of	2-2

content analysis	1-4
conventions	
notice icons, About This Guide	1-viii
text, About This Guide	1-viii
cookie persistence mode	6-5
cookies	
information contained in	6-5
types	5-5
creating an account	4-6

---

## D

default gateway	8-8
default password	4-5
deferred command execution	4-2
deleting an account	4-6
DNS	
configuration commands (table)	4-11
description of	4-10
domains	5-4
domain switching	7-2

---

## E

ESRP	
and Pxm	8-6
and VRRP	8-3
with multiple VLANs	8-7

---

## F

failover	
and POPs	4-17
and VRRP	8-1
free-standing installation	2-5

front view	2-1
full-NAT mode	6-14

---

## G

gateway mode	6-16, 6-17
gateway, default	8-8
Gigabit Ethernet port	2-2

---

## H

half-NAT and gateway mode	6-16
half-NAT mode	6-15, 6-16
and VLANs	6-16
hardware address	2-3
hashed cookie persistence mode	6-5, 6-8
health checks	
description of	9-1
HTTP GET	9-1
ping checks	9-1
procedure	9-3
TCP Open	9-1
timers	9-3, 9-4
types	9-4
HTTP GET health checks	9-1

---

## I

I/O modules, BlackDiamond	
hot-swapping	3-1, 3-2
installing	3-1
removing	3-2
ICMP ping messages	9-1
installation	
BlackDiamond I/O modules	3-1
installing	2-4
IP masquerading	6-16

---

## K

keys, line-editing	4-3
--------------------	-----

---

## L

last resort rule	5-5
latency	
defined	4-17
layer 4 load balancing	1-3
layer 4 services	
creating	5-3
layer 7 load balancing	1-4
layer 7 persistence	6-5
layer 7 virtual services	5-4
learned cookie persistence mode	6-5, 6-10
least connections policy	6-2
line-editing keys	4-3

load	
defined	4-17
load balancing	
configuring	1-6
decisions	1-6
modes	1-3
local logging	4-16
logging	
local	4-16
remote	4-16

---

## M

MAC address	2-3
management port	
configuring	2-8
description of	2-2

---

## N

NAT	
half-NAT and VLANs	6-16
NAT modes	
considerations	1-6
description	6-14
full-NAT	6-14
half-NAT	6-15
network address translation (NAT)	1-3
null modem cable	2-2

---

## O

out-of-band management	2-2
------------------------	-----

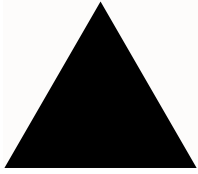
---

## P

pattern rules	5-5
persistence	
client IP	6-3
configuring client IP	6-5
cookie	6-5
description of	6-2
hashed cookie	6-8
learned cookie	6-10
self-identifying	6-5
SSL session identifier	6-13
phantom MAC	8-1
ping checks	9-1
policies	
least connections	1-3, 6-2
round robin	1-3, 6-2
scheduling	6-1
weighted least connections	1-3, 6-2
weighted round robin	1-3, 6-2
port rewrite	1-6
ports	

AUX	2-2	configuring	6-5
console	2-2	description of	6-2
Gigabit Ethernet	2-2	switching	
management port	2-2	configuring domain name switching	7-3
positioning	2-4	description of	7-1
power socket	2-3	domain	7-2
power supply	2-3	URL	7-4
powering on	2-5	URL examples	7-4
PxM		symbols, command-line interface	4-2
configuring redundancy with ESRP	8-6	syntax helper	4-2
multiple VLANs and redundancy	8-7	syntax, understanding	4-2
<hr/>			
<b>R</b>		syslog	4-16
rack mounting	2-4	system contact	4-9
real servers		system location	4-9
creating	5-1	system name	4-9
description of	5-1	<hr/>	
maximum connections	5-2	<b>T</b>	
weight	5-2	TCP Open health checks	9-1
rear view	2-3	TCP sequence	1-5
redundancy	8-1	traps	4-10
automatic synchronization	8-4	<hr/>	
for PxM	8-6	<b>U</b>	
remote logging	4-16	URL switching	5-5, 7-4
response times, improving	1-1	user accounts	4-4
round robin policy	6-2	<hr/>	
<hr/>			
<b>S</b>		<b>V</b>	
self-identifying cookie persistence mode	6-5	verifying the installation	2-5
serial number	2-3	viewing accounts	4-6
serial port. <i>See</i> console port		virtual IP (VIP)	1-2, 5-4, 7-3
server groups		virtual service	
creating	5-2	creating	1-7, 5-1
description of	5-2	definition of	1-3
health checks	9-4	VLANs	
load balancing policy	5-2	multiple with ESRP	8-7
naming	5-2	working with	4-8
port number	5-1	VRRP	
scheduling policies	6-1	and ESRP	8-3
server load balancing, purpose	1-1	automatic synchronization	8-4
server selection policies	1-3	configuring	8-2
server-only NAT	6-15	description of	8-1
show commands	10-1	preempt	8-2
SNMP		priority	8-2
community strings	4-10	timers	8-2
configuring	4-9	virtual router ID (VRID)	8-2
settings	4-9	<hr/>	
system contact	4-9	<b>W</b>	
system location	4-9	website availability, increasing	1-1
system name	4-9	weighted least connections policy	6-2
traps	4-10	weighted round robin policy	6-2
socket, power	2-3	<hr/>	
SSL session identifier persistence	5-4, 6-13		
statistics commands	10-1		
stickiness			





# Index of Commands

---

## B

build 4-8, 8-2, 8-3

---

## C

clear log 4-16  
config account 4-6  
config banner 4-17  
config default-gateway 8-8  
config dns-client add 4-11  
config dns-client default-domain 4-11  
config dns-client delete 4-11  
config domain default 5-5, 6-13  
config domain name 5-4  
config domain name www.ebooks.com 7-9  
config esrp port-mode host ports 8-3  
config gateway-mode add ip 6-17  
config health-check fail-after 9-5  
config health-check interval 9-4  
config health-check restore-after 9-5  
config health-check retry-interval 9-4  
config log display 4-16  
config mgmt ip netmask 2-8  
config mgmt iproute dest-ip gateway 2-8  
config nat-mode full 6-15  
config nat-mode server-only 6-16  
config pattern-rule 7-9  
config pattern-rule default server-group-name 5-5, 6-13  
config pattern-rule default server-group-name cookie-name 5-5

config pattern-rule server-group-name 5-5  
config proxy-ip 6-15  
config server index ipaddress 5-1  
config server-group health-check fail-after 9-5  
config server-group health-check interval 9-5  
config server-group health-check restore-after 9-5  
config server-group health-check retry-interval 9-5  
config server-group name 5-2, 6-1  
config server-group name add-server 5-3  
config server-group name add-server index 5-3  
config server-group name sg1 health-check http object 9-4  
config server-group name sg1 health-check ping 9-4  
config server-group name sg1 health-check tcp-open 9-4  
config server-group name sg1 health-check tcp-open return 9-4  
config server-startup-pacing initial-limit 9-2  
config server-startup-pacing interval 9-2  
config service vip 5-4, 6-13, 7-9  
config snmp add community 4-10  
config snmp add trapreceiver 4-10  
config snmp syscontact 4-9  
config snmp syslocation 4-9  
config snmp sysname 4-9  
config source-flow local-traffic next-hop 6-16  
config source-flow next-hop 6-16, 6-17  
config ssh2 key 4-12  
config ssh2 key pregenerated 4-13  
config sticky L4 client-ip timeout 6-5  
config sticky L7 cookie-id timeout 6-13  
config sticky L7 session-id timeout 6-13

config syslog ipaddress	4-16
config system-ip	4-8
config vrrp add backup vrid	8-3
config vrrp add master vrid	8-2
configure server-group name extr health-check http	9-4
create account	4-6
create source-flow	6-16
create source-flow local-traffic	6-16

---

## D

delete account	4-6
disable gslb-agent	4-18
disable health-check server-group-name	9-5
disable server-startup-pacing	9-2
disable sticky client-ip	6-5

---

## E

enable gateway-mode	6-17
enable gslb-agent	4-18
enable log	4-16
enable server-startup-pacing	9-2
enable ssh2	4-12
enable sticky client-ip	6-5
enable syslog	4-16
enable vlan	4-8
enable vrrp	8-2, 8-3

---

## H

history	4-4
---------	-----

---

## N

nslookup	4-11
----------	------

---

## P

ping	4-15
------	------

---

## S

scp	4-14
scp2	4-14
show accounts	4-6
show banner	4-17
show configuration	10-3
show connections	10-1
show cookie	10-3
show default-gateway	10-3

show dns-client	4-11, 10-3
show errors	10-7
show gslb-agent	4-18
show iparp	10-3
show iproute	10-3
show log	4-16
show nat-mode	10-3
show port	10-1
show proxy-ip	10-3
show server	10-2
show server-group	10-2
show service ipaddress	10-2
show sticky	10-3
show switch	10-3
show syslog	10-7
show system-ip	10-3
show timeout	10-3
show vlan	10-3
show vrrp	10-3
ssh2	4-14

---

## T

top	4-15
traceroute	4-15

---

## U

unconfig domain name	7-9
unconfig pattern-rule	7-9

## Free Manuals Download Website

<http://myh66.com>

<http://usermanuals.us>

<http://www.somanuals.com>

<http://www.4manuals.cc>

<http://www.manual-lib.com>

<http://www.404manual.com>

<http://www.luxmanual.com>

<http://aubethermostatmanual.com>

Golf course search by state

<http://golfingnear.com>

Email search by domain

<http://emailbydomain.com>

Auto manuals search

<http://auto.somanuals.com>

TV manuals search

<http://tv.somanuals.com>