

# Quick Start — CLK 100

The Extron CLK 100 is a versatile, battery-operated LCD clock with an integrated thermometer, ideal for monitoring the ambient temperature within an equipment rack or room. The CLK 100 is equally at home in desktop or shelf top applications.

## Features

- Alternately displays the current time and date.
- Time is displayed in either a 12- or 24-hour time scheme.
- Measures temperature in one minute intervals.
- Temperature is displayed in Celsius or Fahrenheit. The displayed temperature ranges from  $-9^{\circ}\text{C}$  to  $50^{\circ}\text{C}$  or  $16^{\circ}\text{F}$  to  $122^{\circ}\text{F}$ . If this range is exceeded, the temperature display flashes.

## Installing the Battery

1. Remove the battery cover and install one AAA, 1.5 V battery.
2. Align the battery with the diagram inside the battery compartment.
3. Replace the battery cover.

**NOTE** *Installing the battery requires opening the enclosure. To open the enclosure unscrew the four side panel screws.*

## Buttons

**Mode** — Toggle between 12- or 24-hour time schemes.

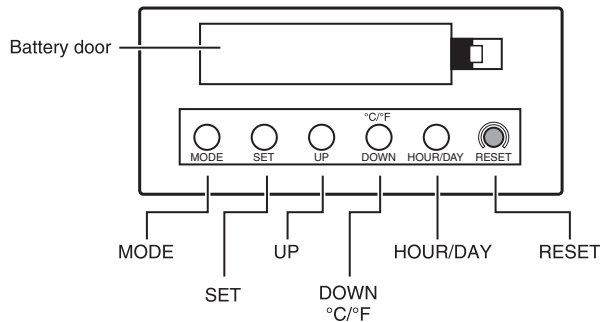
**Set** — Press the Set button to enter **setup** mode. When changing display values, use the Set button to advance to the next display.

**Up (Time/Date toggle)** — When adjusting the CLK 100 display, press the Up button to increase display value.

Once the CLK 100 is configured, press UP to turn off the automatic toggle between time and date.

**Down ( $^{\circ}\text{C}/^{\circ}\text{F}$ )** — When adjusting the CLK 100 display, press the Down button to decrease display value.

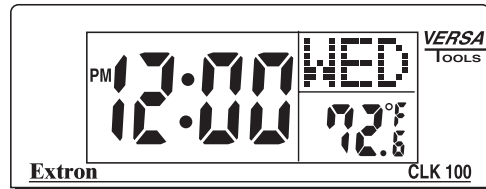
In **normal** mode, press the Down button to toggle between Centigrade or Fahrenheit temperature displays.



**Hour/Day** — Press the Hour/Day button to toggle between time and date.

**Reset** — Press the red Reset button to reset all displays to default values.

**NOTE** *Accessing these buttons may require opening the enclosure. To open the enclosure unscrew the four side panel screws.*



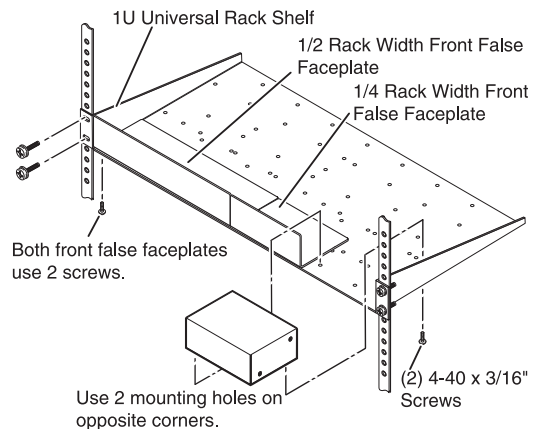
## Setting the Display

1. To change the display, press the Set button; the flashing letters or numbers can be changed. Use the Up or Down buttons to change the value.
2. To move to the next display, press the Set button again. Continue until the Year, Month, Day, Hour, and Minute displays are set.
3. To return to normal **time/date** mode, press the Set button again.

**NOTE** *Accessing display buttons may require opening the enclosure. To open the enclosure unscrew the four side panel screws.*

## Mounting Instructions

The CLK 100 can be used as a stand alone clock or mounted in an Extron 1U Universal Rack Shelf, as shown below.



68-1183-01  
Rev B  
10-05

## Quick Start — CLK 100, cont'd

### Specifications

#### Clock and thermometer

Clock accuracy .....	<±30 seconds per month
Temperature display range .....	-9 to +50 °C
Temperature accuracy .....	± 2 °C
Temperature sampling interval.	1 minute

#### General

Power .....	Supplied by internal batteries
Batteries	
Number/type .....	1 AAA battery (1.2 to 1.7 V)
Operating life .....	1 year
Standby current .....	20 µA
Temperature sampling current (0.1 to 0.2 s duration)	300 µA
Temperature/humidity .....	Storage +14 to +140 °F (-10 to +60 °C) / 10% to 90%, noncondensing Operating +32 to +122 °F (0 to +50 °C) / 10% to 90%, noncondensing
Rack mount .....	Yes, with optional 1U rack shelf, part #60-190-01 or 60-604-01; or VersaTools® rack shelf, part #60-190-20 or 60-604-20
Enclosure type .....	Metal
Enclosure dimensions .....	1.7" H x 4.3" W x 3.0" D (1U high, quarter rack wide) 4.2 cm H x 11.0 cm W x 7.6 cm D
Product weight .....	0.4 lbs (0.2 kg)
Shipping weight .....	3 lbs (2 kg)
Vibration .....	ISTA 1A in carton (International Safe Transit Association)
Listings .....	UL, CUL
Compliances .....	CE, FCC Class A, VCCI, AS/NZS, ICES
MTBF .....	30,000 hours
Warranty .....	3 years parts and labor

**NOTE** All nominal levels are at ±10%.

**NOTE** Specifications are subject to change without notice.



**Extron Electronics, USA**  
1230 South Lewis Street  
Anaheim, CA 92805  
USA  
714.491.1500  
Fax 714.491.1517

**Extron Electronics, Europe**  
Beeldschermweg 6C  
3821 AH Amersfoort  
The Netherlands  
+31.33.453.4040  
Fax +31.33.453.4050

**Extron Electronics, Asia**  
135 Joo Seng Road, #04-01  
PM Industrial Building  
Singapore 368363  
+65.6383.4400  
Fax +65.6383.4664

**Extron Electronics, Japan**  
Kyodo Building  
16 Ichibancho  
Chiyoda-ku, Tokyo 102-0082 Japan  
+81.3.3511.7655  
Fax +81.3.3511.7656

© 2005 Extron Electronics. All rights reserved.

## Free Manuals Download Website

<http://myh66.com>

<http://usermanuals.us>

<http://www.somanuals.com>

<http://www.4manuals.cc>

<http://www.manual-lib.com>

<http://www.404manual.com>

<http://www.luxmanual.com>

<http://aubethermostatmanual.com>

Golf course search by state

<http://golfingnear.com>

Email search by domain

<http://emailbydomain.com>

Auto manuals search

<http://auto.somanuals.com>

TV manuals search

<http://tv.somanuals.com>