

## Specifications, cont'd

Return loss	
P/2 DA2 Plus .....	-38.3dB @ 5 MHz
P/2 DA4/DA6 Plus .....	-45dB @ 5 MHz

### Video output

Number/signal type	
P/2 DA2 Plus .....	2 VGA-UXGA RGBHV, RGBS, RGsB, RsGsBs
P/2 DA4 Plus .....	4 VGA-UXGA RGBHV, RGBS, RGsB, RsGsBs
P/2 DA6 Plus .....	6 VGA-UXGA RGBHV, RGBS, RGsB, RsGsBs
Connectors .....	2, 4, or 6 15-pin HD female (depending on the model)
Nominal level .....	0.7V p-p (excluding sync)
Minimum/maximum levels	
P/2 DA2 Plus .....	0.4V to 1.4V p-p
P/2 DA4/DA6 Plus .....	0.3V to 1.5V p-p
Impedance .....	75 ohms
Return loss	
P/2 DA2 Plus .....	-41dB @ 5 MHz
P/2 DA4/DA6 Plus .....	-45dB @ 5 MHz
DC offset .....	±5mV maximum with input at 0 offset

### Sync

Input type .....	RGBHV, RGBS, RGsB, RsGsBs
Output type .....	RGBHV, RGBS, RGsB, RsGsBs
Input level .....	3.0V to 5.0V p-p
Output level .....	TTL ..... 5V p-p
Input impedance .....	510 ohms
Output impedance .....	75 ohms
Max. propagation delay .....	60 ns
Max. rise/fall time	
P/2 DA2 Plus .....	4 ns
P/2 DA4/DA6 Plus .....	2 ns
Polarity .....	Positive or negative

### General

Power	
P/2 DA2 Plus .....	100VAC to 240VAC, 50/60 Hz, 4.5 watts, external, auto-switchable; to 9VDC, 1 A power supply.
P/2 DA4/DA6 Plus .....	100VAC to 240VAC, 50/60 Hz, 12 watts, internal, auto-switchable

## Specifications, cont'd

Temperature/humidity .....	Storage -40° to +158°F (-40° to +70°C) / 10% to 90%, non-condensing Operating +32° to +122°F (0° to +50°C) / 10% to 90%, non-condensing
----------------------------	--

### Rack mount

P/2 DA2 Plus .....	No
P/2 DA4/DA6 Plus .....	Yes, with optional 1U rack shelf, part #60-190-01

### Enclosure type

P/2 DA2 Plus .....	Plastic
P/2 DA4/DA6 Plus .....	Metal

### Enclosure dimensions

P/2 DA2 Plus .....	1.4" H x 5.0" W x 3.3" D 3.6 cm H x 12.7 cm W x 8.4 cm D (Depth excludes connectors.)
P/2 DA4/DA6 Plus .....	1.6" H x 8.75" W x 9.4" D (1U high, half rack width) 4.1 cm H x 22.2 cm W x 23.9 cm D (Depth excludes connectors.)

### Product weight

P/2 DA2 Plus .....	1.6 lbs (0.7 kg)
P/2 DA4/DA6 Plus .....	2.2 lbs (1.0 kg)

### Shipping weight

P/2 DA2 Plus .....	3 lbs (1.4 kg)
P/2 DA4 Plus .....	4 lbs (1.8 kg)
P/2 DA6 Plus .....	5 lbs (2.3 kg)

Vibration ..... ISTA/NSTA 1A in carton (International Safe Transit Association)

Listings ..... UL, CUL

Compliances ..... CE

MTBF ..... 30,000 hours

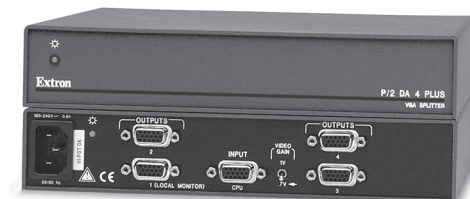
Warranty ..... 3 years parts and labor

**NOTE** Specifications are subject to change without notice.

**Extron® Electronics**  
INTERFACING, SWITCHING AND DISTRIBUTION



## User's Guide



**P/2 DA2 Plus  
P/2 DA4 Plus  
P/2 DA6 Plus**

**Distribution Amplifiers**

68-362-01 Rev. C  
Printed in the USA  
08 02



Extron Electronics, USA  
1230 South Lewis Street  
Anaheim, CA 92805  
USA  
714.491.1500  
Fax 714.491.1517  
www.extron.com

Extron Electronics, Europe  
Beeldschermweg 6C  
3821 AH Amersfoort  
The Netherlands  
+31.33.453.4040  
Fax +31.33.453.4050

Extron Electronics, Asia  
135 Joo Seng Road, #04-01  
PM Industrial Building  
Singapore 368363  
+65.6383.4400  
Fax +65.6383.4664

Extron Electronics, Japan  
Daisan DMJ Building 6F  
3-9-1 Kudan Minami  
Chiyoda-ku, Tokyo 102-0074 Japan  
+81.3.3511.7655  
Fax +81.3.3511.7656

© 2002 Extron Electronics. All rights reserved.

Download from Wwww.Somanuals.com. All Manuals Search And Download.

# Installation and Operation

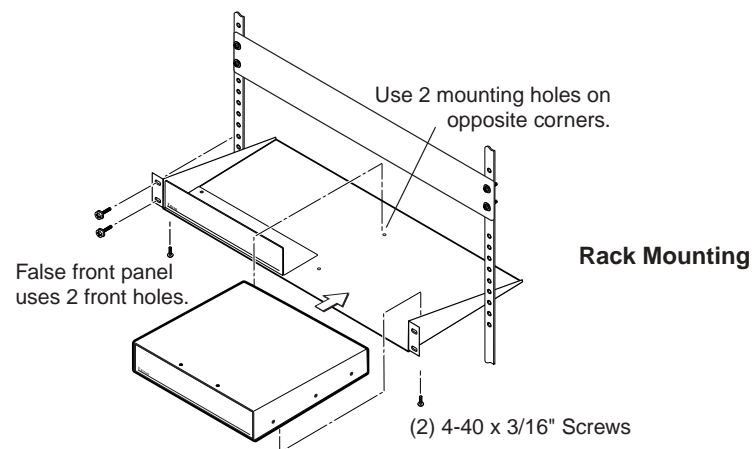
## Description

The P/2 DA2 Plus, P/2 DA4 Plus, and P/2 DA6 Plus are distribution amplifiers that accept video input from a VGA-UXGA compatible PC and distribute that signal to separately buffered outputs. Each output can be extended with Extron VGA-HR cables in 6', 15', 25', 50', 75', 100', 150', 200' and 250' lengths.

Examples of typical installations are shown in the diagrams on the following pages.

## Installation

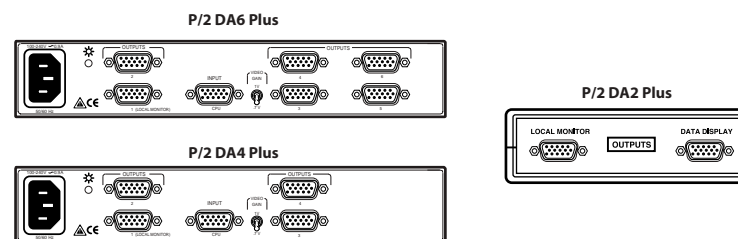
1. Power off the computer and its local monitor.
2. For optional rack mounting (four and six output only), mount the unit on one side of a 19" 1U Universal Rack Shelf (Extron part # 60-190-01). See the illustration below.
  - a. If feet were previously installed on the bottom of the case, remove them.
  - b. Mount the unit on the rack shelf, as shown below, using two 4-40 x 3/16 screws in opposite (diagonal) corners to secure the case to the shelf.



3. Connect the computer's VGA output to the input of the distribution amplifier (P/2 DA2 Plus cable or the center connector of the P/2 DA4 Plus or P/2 DA6 Plus). See rear panel diagrams on next page.
4. Connect the computer's monitor to the "Local Monitor" output of the distribution amplifier.

# Installation and Operation, cont'd

5. Connect an LCD panel, a VGA-UXGA monitor, or a projector to the other output(s).
6. Connect power to the distribution amplifier.
7. Power on the local monitor, the computer, and display device(s).



## Indicators and Controls

**Power LED:** Located on the front and rear panels of the P/2 DA4 Plus and P/2 DA6 Plus only. When illuminated, it indicates that the distribution amplifier is receiving power.

**Video Gain toggle switch:** (P/2 DA4 Plus and P/2 DA6 Plus only) The Video Gain switch is normally set to 0.7V (down). For installations with long output cable runs, the 1.0V (up) position will give a brighter picture.

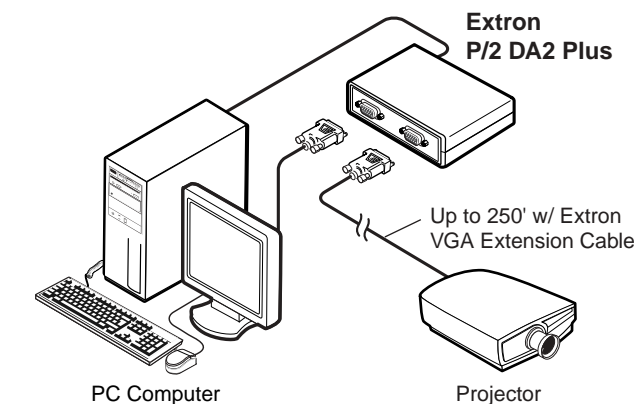
## Operation

After the distribution amplifier and its connected devices are powered up, the system is fully operational. If any problems are encountered, verify that the cables are routed and connected properly. For units with the Video Gain toggle switch, verify that the switch position is correct (refer to the previous **Indicators and Controls** section).

## Optional VGA Cables and Adapters

- 6', 15', 25', 50', 75', 100', 150', 200' and 250' VGA-HR cable
- SY-VGA — VGA to 5 BNCs
- T-NC-34 VGA — to NEC monitors
- C-VGA-VCP — VGA to Mitsubishi printers

# Specifications



## Specifications

### Video

Gain

P/2 DA2 Plus .....	Unity
P/2 DA4/DA6 Plus .....	0.7V or 1.0V, switchable

Bandwidth

P/2 DA2 Plus .....	270 MHz (-3dB), fully loaded
P/2 DA4/DA6 Plus .....	300 MHz (-3dB), fully loaded

### Video input

Number/signal type ..... 1 VGA-UXGA RGBHV, RGBS, RGsB, RsGsBs

Connectors

P/2 DA2 Plus .....	1 15-pin HD male cable (built-in)
P/2 DA4/DA6 Plus .....	1 15-pin HD female (optional Mac/VGA adapters are available)

Nominal level ..... 0.7V p-p (excluding sync)

Minimum/maximum levels ..... Analog

P/2 DA2 Plus .....	0.4V to 1.4V p-p with no offset at unity gain
P/2 DA4/DA6 Plus .....	0.3V to 1.5V p-p with no offset at unity gain

Impedance ..... 75 ohms

Horizontal frequency ..... 15 kHz to 135 kHz

Vertical frequency

P/2 DA2 Plus .....	30 Hz to 150 Hz
P/2 DA4/DA6 Plus .....	30 Hz to 170 Hz

## Free Manuals Download Website

<http://myh66.com>

<http://usermanuals.us>

<http://www.somanuals.com>

<http://www.4manuals.cc>

<http://www.manual-lib.com>

<http://www.404manual.com>

<http://www.luxmanual.com>

<http://aubethermostatmanual.com>

Golf course search by state

<http://golfingnear.com>

Email search by domain

<http://emailbydomain.com>

Auto manuals search

<http://auto.somanuals.com>

TV manuals search

<http://tv.somanuals.com>