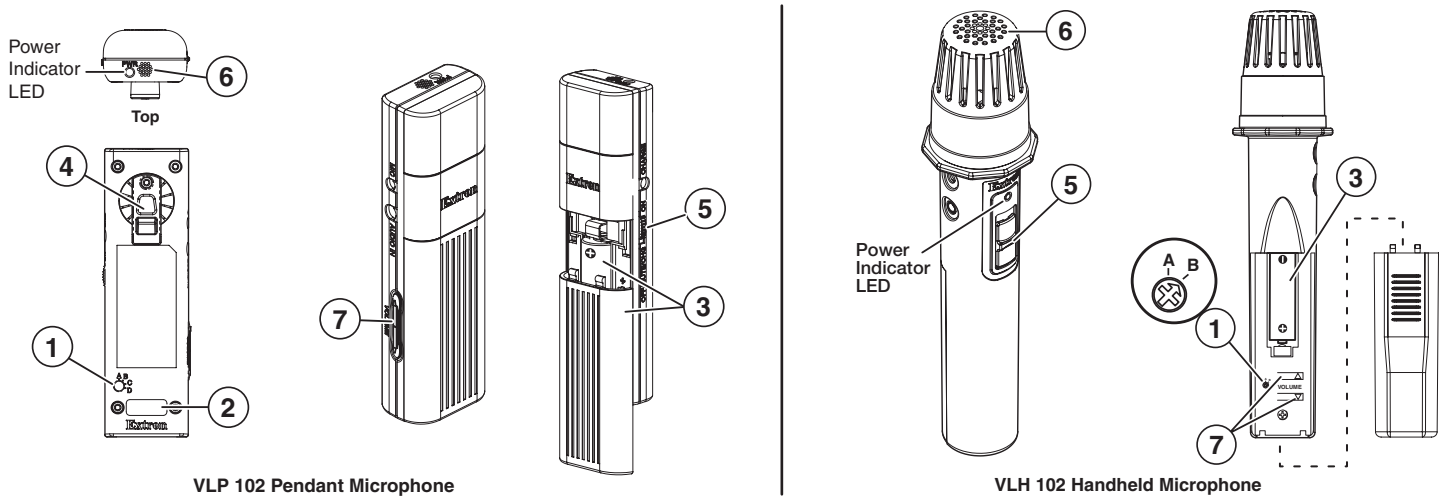


This guide provides instructions for an experienced installer to set up, install, and connect the Extron® VLP 102 Pendant Microphone or VLH 102 Handheld Microphone, the VLC 202 Charging Station, the VLR 102 Receiver, and the VLR 102SR Secondary Receiver.

IMPORTANT:
Refer to www.extron.com for the complete user guide and installation instructions.

Setting Up the VLP 102 and VLH 102 Microphones



1. Set the channel using the rotary switch. **A** and **C** = 2.3 MHz; **B** and **D** = 2.8 MHz. For the VLH 102, remove the battery cover to access this switch.

NOTE: Each microphone must be on a different frequency. On the pendant microphone, set the channel to **C** or **D** to disable the volume buttons (the handheld microphone has only channels A and B).

2. (Pendant microphone only) Apply the appropriate sticker to identify the microphone.
3. Remove the battery cover and insert the AA battery. If necessary, replace the battery cover and charge the battery.
4. (Pendant microphone only) Attach the lanyard to the rotating clip. Adjust the lanyard to position the microphone approximately 4 inches (10.2 cm) below the chin of the user.
5. Turn the microphone on by sliding the power switch up.
6. Speak in a normal tone of voice. Do not block the microphone port or grille opening.
7. Adjust the volume if necessary. On the VLH 102, replace the battery cover.

Installing the VLC 202 Charging Station

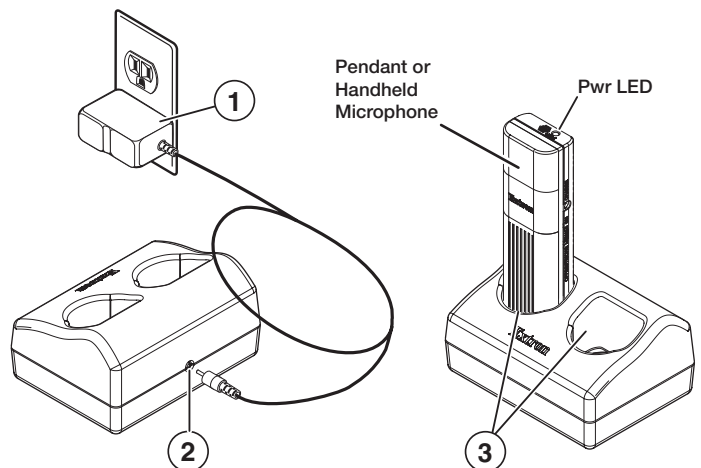
To install the VLC 202 Charging Station:

1. Plug the wall charger (5 V, 1 A) into a wall outlet.
2. Connect the wall charger cable to the charging station power jack.
3. Place the microphone in one of the slots in the charger, with the charging contacts facing down.

The charge is complete when the LED turns green. (This can take up to 5 hours.)

NOTE: The microphone can be left to charge for extended periods. In maintenance mode, the charge is retained when complete.

CAUTION: Do not charge alkaline batteries.

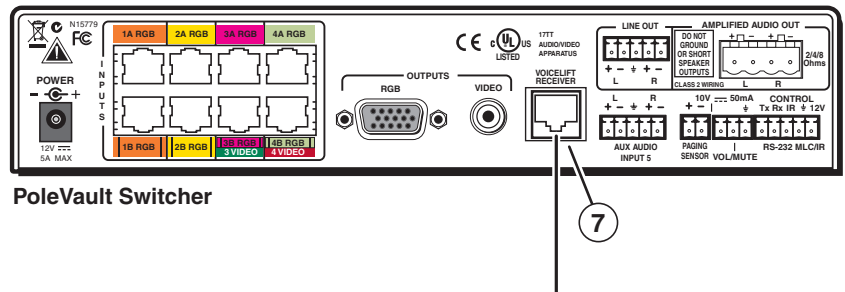
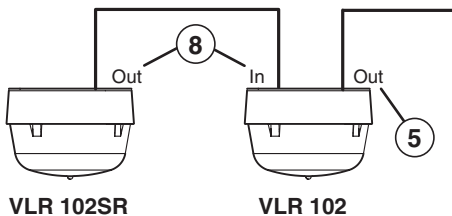
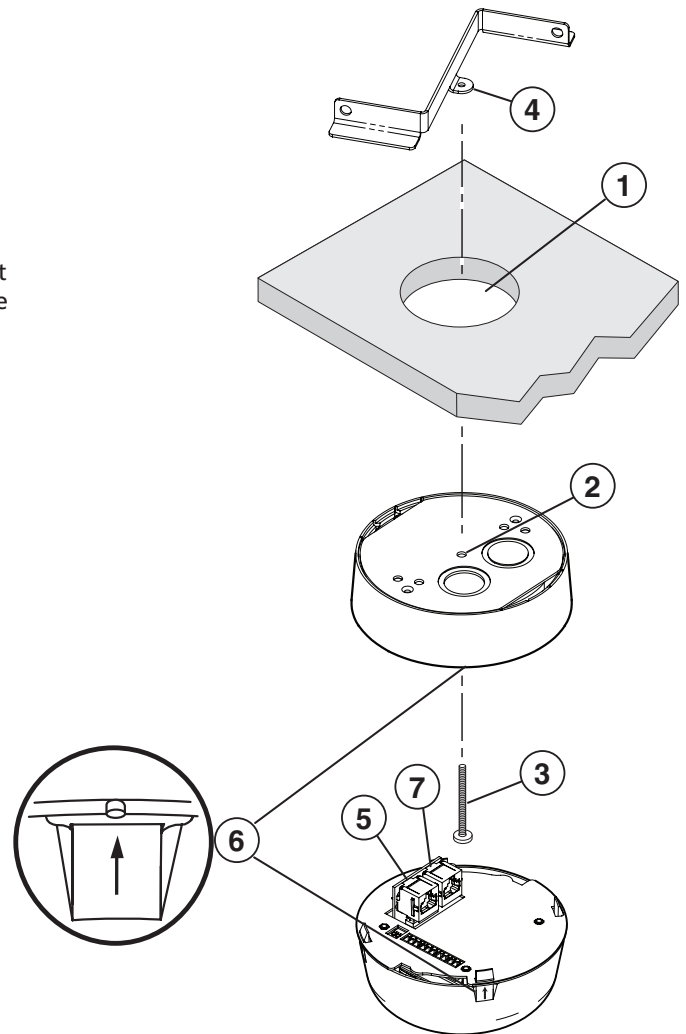


Installing the VLR 102 Receiver and the VLR 102SR Secondary Receiver

To install the VLR 102 IR Receiver or the VLR 102SR Secondary Receiver in a drop ceiling:

1. In the ceiling tile, cut a hole 2 to 3 inches (50 to 76 mm) in diameter.
2. Align the center of the receiver housing with the hole in the ceiling tile.
3. Insert the mounting screw through the receiver housing and the hole in the ceiling tile.
4. Attach the provided Z-bracket to the end of the screw on the back side of the ceiling tile. Replace the ceiling tile.
5. Pull an Ethernet cable to the receiver location, and connect one end of the cable to the RJ-45 jack (labeled OUT) on the receiver base.
6. Align the arrow on the dome tab with the raised arrow on the edge of the housing. Rotate the dome clockwise until the **arrow** on the tab aligns with the raised **dot** on the housing.
7. Connect the other end of the Ethernet cable to the PoleVault switcher.
8. **If you are connecting a VLR 102SR secondary receiver:**

Connect an Ethernet cable to the RJ-45 jack labeled OUT on the secondary receiver and to the RJ-45 jack labeled IN on the VLR 102 Receiver.



| Extron USA - West Headquarters | Extron USA - East | Extron Europe | Extron Asia | Extron Japan | Extron China | Extron Middle East |
|---|---|--|--|--|--|--------------------------------------|
| +800.633.9876 Inside USA/Canada Only +1.714.491.1500 +1.714.491.1517 FAX | +800.633.9876 Inside USA/Canada Only +1.919.863.1794 +1.919.863.1797 FAX | +800.3987.6673 Inside Europe Only +31.33.453.4040 +31.33.453.4050 FAX | +800.7339.8766 Inside Asia Only +65.6383.4400 +65.6383.4664 FAX | +81.3.3511.7655 +81.3.3511.7656 FAX | +400.883.1568 Inside China Only +86.21.3760.1568 +86.21.3760.1566 FAX | +971.4.2991800 +971.4.2991880 FAX |

Free Manuals Download Website

<http://myh66.com>

<http://usermanuals.us>

<http://www.somanuals.com>

<http://www.4manuals.cc>

<http://www.manual-lib.com>

<http://www.404manual.com>

<http://www.luxmanual.com>

<http://aubethermostatmanual.com>

Golf course search by state

<http://golfingnear.com>

Email search by domain

<http://emailbydomain.com>

Auto manuals search

<http://auto.somanuals.com>

TV manuals search

<http://tv.somanuals.com>