

Extron AAP 100 and MAAP 100 Installation Guide

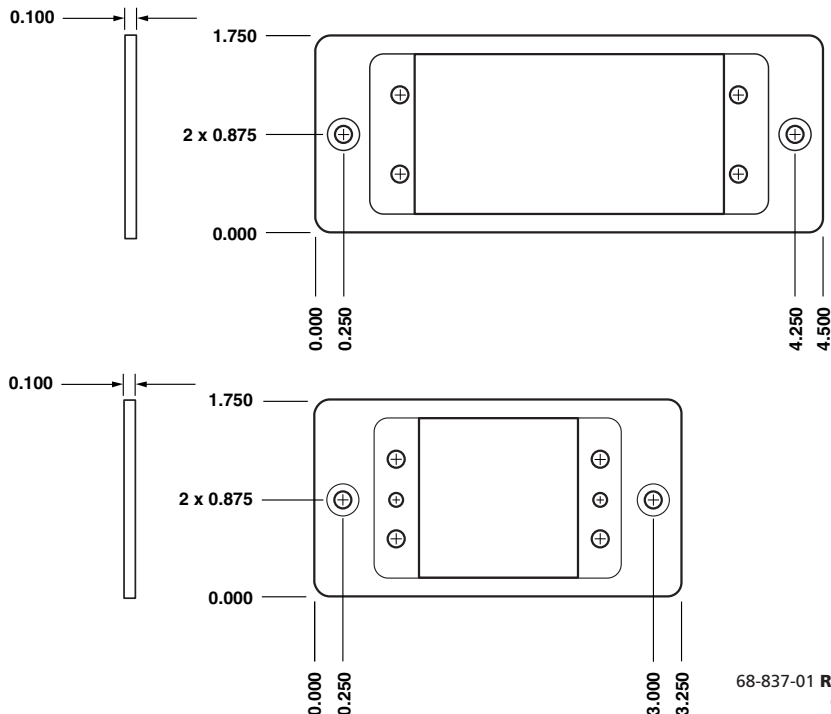
The following procedure is for mounting the AAP 100 and MAAP 100 panels on hard surfaces (plywood, hardwood, etc.). For soft surfaces (particle board, drywall, etc.), additional hardware such as anchors may be required (not provided).

1. Make a copy of the appropriate full size rough-in template. Cut out the center portion of the template up to the dashed guidelines.

CAUTION For accurate sizing, copy the template at exactly 100%.

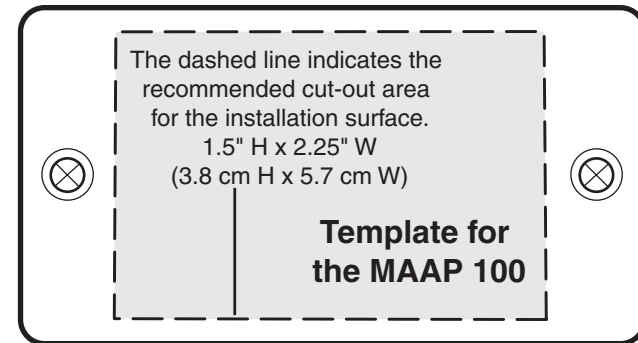
2. Place the template in the desired location and mark the guidelines for the opening on the surface.
3. Carefully cut away the material inside the guidelines. Check the opening size by placing the panel against the opening.
4. Cable the AAP(s)/MAAP(s) and install them on the panel.
5. Place the panel against the surface and mark the locations of the two wall mounting holes on the surface.
6. Remove the panel and drill 1/4" deep pilot holes (half the width of the shaft of the screw) at the marked locations. Replace the panel.
7. Use two 1/2" (1.3 cm) long, #6 flat headed wood screws (provided) to fasten the panel directly onto the surface. Hand tighten the screws.

Product Dimensions



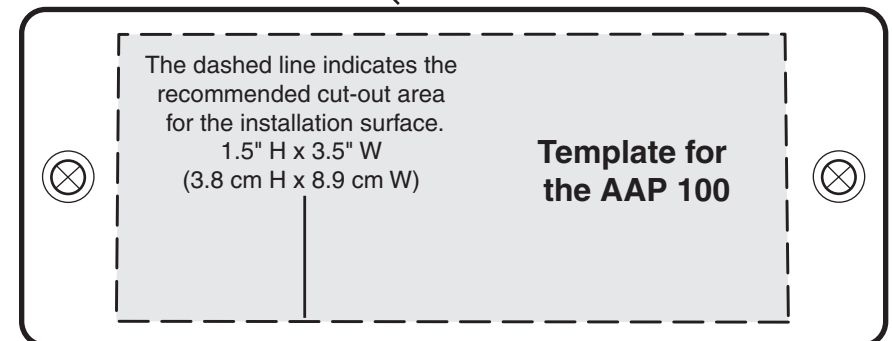
68-837-01 Rev. B
08 08

Installation Templates



The solid, outer line represents the outside edge of the panel.
 1.75" H x 3.25" W
 (4.45 cm H x 8.25 cm W)

The solid, outer line represents the outside edge of the panel.
 1.75" H x 4.5" W
 (4.45 cm H x 11.4 cm W)



Extron USA - West Headquarters +800.633.9876 Inside USA / Canada Only +1.714.491.1500 +1.714.491.1517 FAX	Extron USA - East +800.3987.6673 Inside USA / Canada Only +1.919.863.1794 +1.919.863.1797 FAX	Extron Europe +800.7339.8766 Inside Europe Only +31.33.453.4040 +31.33.453.4050 FAX	Extron Asia +800.7339.8766 Inside Asia Only +65.6383.4400 +65.6383.4664 FAX	Extron Japan +81.3.3511.7655 +81.3.3511.7656 FAX	Extron China +400.883.1568 Inside China Only +86.21.3760.1568 +86.21.3760.1566 FAX	Extron Dubai +971.4.2991800 +971.4.2991880 FAX
---	--	--	--	---	---	---

© 2008 Extron Electronics. All rights reserved.

Free Manuals Download Website

<http://myh66.com>

<http://usermanuals.us>

<http://www.somanuals.com>

<http://www.4manuals.cc>

<http://www.manual-lib.com>

<http://www.404manual.com>

<http://www.luxmanual.com>

<http://aubethermostatmanual.com>

Golf course search by state

<http://golfingnear.com>

Email search by domain

<http://emailbydomain.com>

Auto manuals search

<http://auto.somanuals.com>

TV manuals search

<http://tv.somanuals.com>